

ANCHOR

Price List
September 2013



Knoll

Introduction	Knoll and Sustainable Design	2
	Finish Options	3
	Grain Direction Planning Guide	4
	Mixed Laminate Finishes	5
	Statement of Line	6
Credenzas	Credenza Specifications	9
	Credenza Planning & Stability Guidelines	10
	Credenzas	11
	Counterweight Kits	16
	Credenza Cushion	17
Pedestals	Pedestal Specifications	18
	Pedestal Planning & Stability Guidelines	19
	Pedestals	20
	Pedestal Tops	22
	Counterweight Kits	23
Lockers	Locker Specifications	24
	Locker Interior Planning	25
	Lockers	27
	Locker Tops	31
	Locker Shelves	32
	Locker Accessories	33
Alpha-Numeric Index		34
Selling Policy		35
KnollKey Lock Program		37
General Ordering Information		38

Knoll and Sustainable Design

Each year Knoll sets key initiatives in our journey to sustainability. We are members of a global consortium on energy, have adopted a scientific, metrics-based approach to sustainable product design, and maintain a leadership position in establishing universal, verifiable, sustainability standards for our industry.

Knoll promotes independent third-party certification because it provides the most impartial and trustworthy foundation for industry-wide environmental compliance. Certification by established and respected third parties ensures that all manufacturers are held to the same high standards and that customers can trust a company's declaration about the environmental benefits of its products. Knoll third-party partners include: the International Standards Organization (ISO); Forest Stewardship Council (FSC®); Rainforest Alliance; GREENGUARD® Environmental Institute; and The Business and Institutional Furniture Manufacturer's Association (BIFMA) level® certification from Scientific Certification Systems (SCS).

In addition, Knoll is aligned with the U.S. Green Building Council and can help companies, healthcare organizations and educational institutions achieve Leadership in Energy and Environmental Design (LEED®) workplace certification.

Global Climate Change

- Knoll is a sponsor of the Clinton Global Initiative, which brings together a community of global leaders to devise and implement solutions to some of the world's most pressing challenges, including environmental change.
- Knoll has a comprehensive Energy Management Program to increase energy efficiency in products and processes.

Life Cycle Assessment (LCA) Tool

- Life Cycle Assessment is a science-based measurement of a product's environmental impacts throughout its life cycle, from raw materials sourcing through manufacture, shipping, use and re-use or end-of-life. LCA enables cradle-to-cradle implementation of sustainable practices.
- Knoll has partnered with The Green Standard.org to develop an affordable, universal ISO-compliant computer-based LCA tool that can be used by the entire contract furniture industry and is partnering on the development of an Environmental Product Declaration System (EPDs) for Knoll products. EPDs are verified documents containing LCA results and additional environmental performance information about a product.

Setting Industry Standards

- Knoll partners with MTS (The Institute for Market Transformation to Sustainability) to develop the SMaRT® Consensus Sustainable Products Standards, a set of consensus-based sustainable product standards based on the LEED® model, for all building products, fabric, apparel, flooring and carpet. MTS, the developer of SMaRT®, is an accredited American National Standards Institute (ANSI) standard developer.
- Knoll also partners with BIFMA (Business and Institutional Furniture Manufacturers Association) to promote level® sustainability standards for the contract furniture industry.
- Knoll has established FSC® (Forest Stewardship Council) certified wood as the standard for general office open plan office systems, casegoods and tables.
- Knoll has launched Full Circle, a resource recovery program developed with ANEW, to help customers extend the life cycle of surplus furniture, fixtures and equipment (FF&E) in an economically, socially and environmentally responsible manner.
- Our goal is to encourage all manufacturers in the contract furniture industry and related industries to adopt standards that will lead to sustainable products and practices.

For more information about Knoll and sustainable design, visit knoll.com/environment.

KNOLL CORE LAMINATES

Matching edge band unless noted otherwise

L1 - Solid Colors

114	Folkstone Grey
117	Soft Grey
118	Bright White
119	Pumice

L2 - Solid Colors

111	Jet Black
115	Medium Grey
128	Fog

L2 - Patterned

121	Micro Grey <i>with 114 Folkstone grey edge band</i>
122	Brushed Sand <i>with 119 Pumice edge band</i>
123	Brushed Grey <i>with 128 Fog edge band</i>
129	Micro Sand <i>with 119 Pumice edge band</i>

L2 - Wood Grain

124	Medium Cherry
125	Natural Maple
126	Natural Cherry
127	Walnut

PULL FINISHES

Paint

114	Folkstone Grey
117	Soft Grey
118	Bright White
613	Silver

Anodized

AA	Anodized Aluminum
----	-------------------

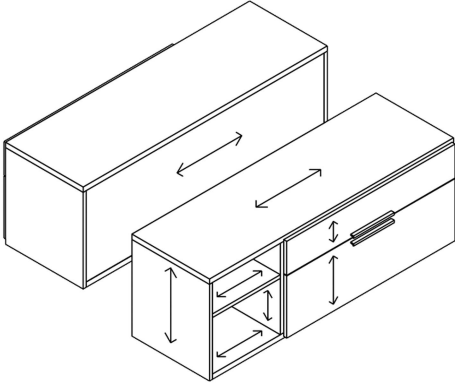
LOCK FINISHES

B	Black
S	Matte Silver

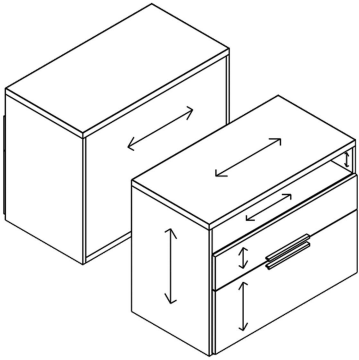
Fabric Options For Cushions

A Analogy (K614) Bocce (K1255) Cats Cradle (K1290) Chance (K1552) Common Ground (K448) Hourglass (K1523) Mariner (K642) Metaphor (K612) Monarch (K1149) Prep (K1076) Presto (K1000) Soliloquy (K1458) Sonnet (K1460) Stacks (K528)	B cont. Field Day (K124) Framework (K1447) Gala II (K1520) Grande (K180) Grandview (K1463) Knoll Felt (K1207) Knoll Hopsack (K1206) Lyric (K698) Mini Stitch (K1130) Night Life (K181) Paradigm (K1101) Pogo (K1100) Pop (K782) Ransom (K1298) Ricochet (K498) Spark (K1075) Spotlight (K772) Utmost (K1325) Vinyl (K242) Zephyr (K724) Zipline (K1448)	C Atlas (K1236) Baxter (K1557) Biota (K1297) Charm (K1049) Circa (K1054) Cricket (HC1279) Decade (K1053) Earthwork (K1238) Echo (K1019) Empire Stripe (K1025) Enmesh (K1092) Entourage (K1389) Fable CR (HC1122) Fibra (K1105) Fox Trot CR (HC777) Highline CR (HC1064) Kora CR (HC1010) Lore CR (HC1123) Moto CR (HC1002) Panache CR (HC1047) Parasol (HC1257) Pony Up (K1323) Prompt (K1505)	C cont. Quark (K781) Regard CR (HC1063) Rio (K1164) Roundtrip (K1430) Sahara (HC1269) Sandpiper CR (HC1258) Sequin CR (HC1009) Smart (K1268) Spectator (K1391) Spot On (K1324) Star Struck (K1048) Stepping Stones (K346) Swing (K479) Treble CR (HC1062) Vibe (K1029) Zari CR (HC1008)	D Cavalier (K217) Compass CR (HC1183) Eclat Weave (K1104) Harrison (K1084) Hologram (K500) Masquerade (K806) Menagerie (K1322) Obi (K1175) Satellite (K503)	E Cross Stitch (K1026) Katazome (K1459) Kimono (K1174) Mamba (K549) Whip (K1386)	F Century (K1051) Cornaro (K1320) Cuddle Cloth (K231) Groove Line (K488) Icon (K1028) Intrigue (K1551) Jubilee (K1445) Kinship (K1465) Rivington (K1080) Topography (K1052)	G Gibson (K1086) Haze (K109) Rattan (K138) Serendipity (K1528) Ultrasuede®(K1021)	H Haiku (K1479)	I Cato (K800) Dynamic (K1617) Knoll Velvet (K784)
---	---	--	--	---	--	--	---	---------------------------	---

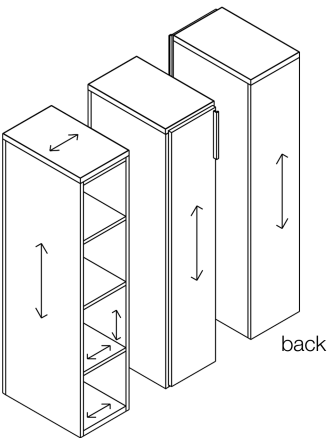
Credenza



Doublewide Pedestal



Locker



Anchor storage components may be specified with a maximum of two laminates per unit.

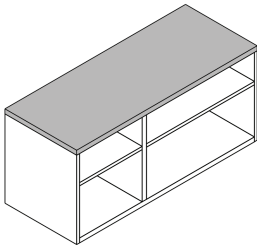
The below mixed laminate options are all available at an L2 price-point:

- Laminate A and Laminate B are both L1
- Laminate A is L1 and Laminate B is L2 (or vice-versa)
- Laminate A and Laminate B are both L2

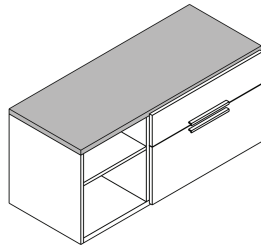


Credenzas

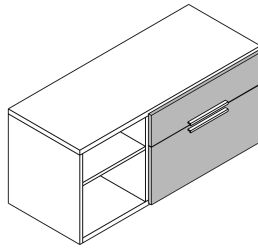
Units are preconfigured including the top



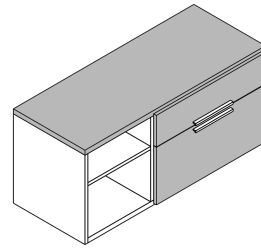
Case: A
Top: B
Price: L2



Case: A
Front: A
Top: B
Price: L2



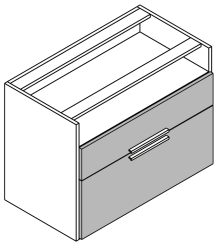
Case: A
Front: B
Top: A
Price: L2



Case: A
Front: B
Top: B
Price: L2

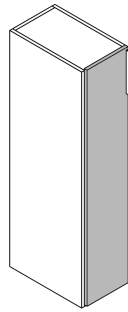
Doublewide Pedestals & Lockers

Tops are specified separately



Case: A
Front: B
Price: L2

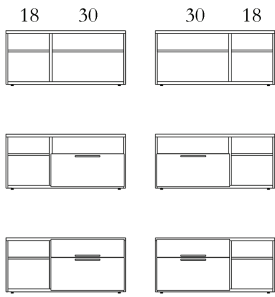
Top: specified separately



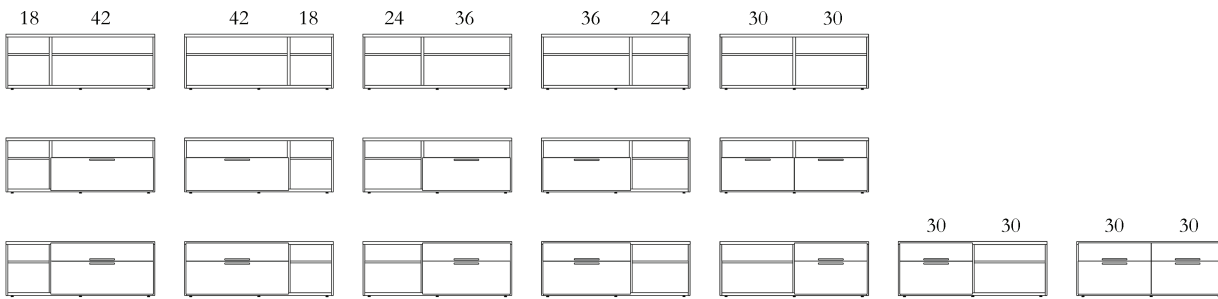
Case: A
Front: B
Price: L2

Top: specified separately

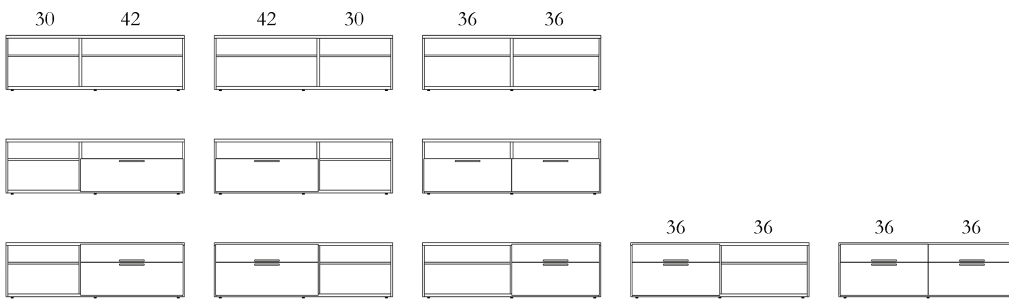
48" Wide Credenzas



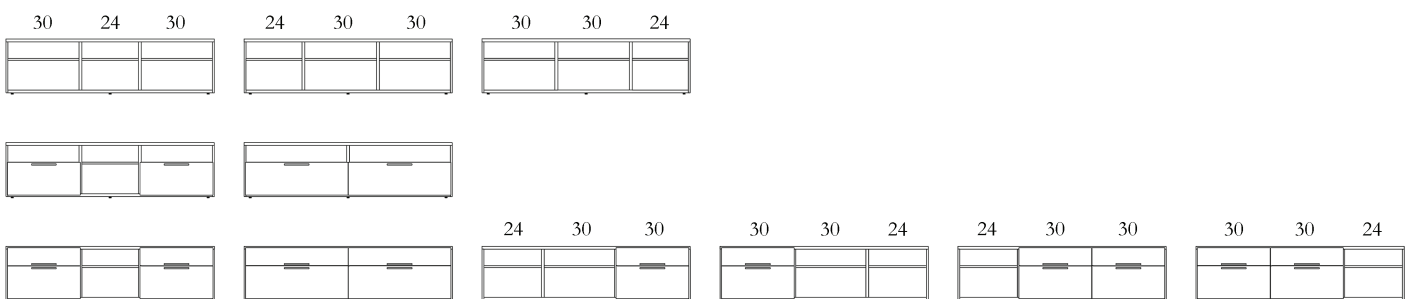
60" Wide Credenzas



72" Wide Credenzas



84" Wide Credenzas



30" Wide Doublewide Pedestals



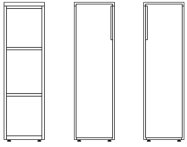
36" Wide Doublewide Pedestals



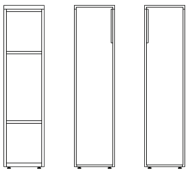
42" Wide Doublewide Pedestals



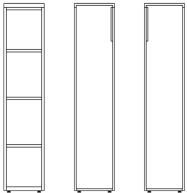
42" High Lockers - 20, 24" Deep



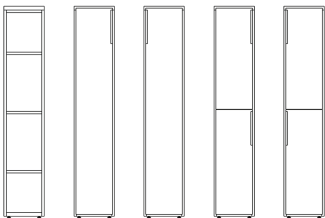
50" High Lockers - 20, 24" Deep



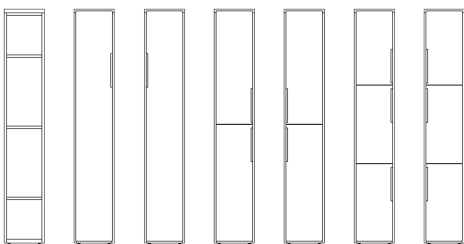
57" High Lockers - 20, 24" Deep



64" High Lockers - 20, 24" Deep



71" High Lockers - 20, 24" Deep



Anchor Credenzas

Credenzas are 22" high wood construction cabinets sized to fit below and support one end of a desk top or be used as freestanding units. Credenzas feature one or two midpanels providing a unique combination of closed and open storage.

Credenzas are available in 4 widths with a variety of configurations. Reference the Statement of Line for full product scope.

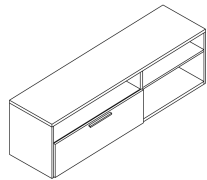
Available Sizes (nominal)

Height: 22"
Widths: 48", 60", 72", 84"
Depth: 20"

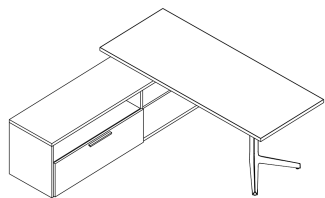
Credenzas ship assembled including the top.

Credenzas may be used as freestanding units or provide support for a perpendicular worksurface when specified with a spacer bracket or support adapter.

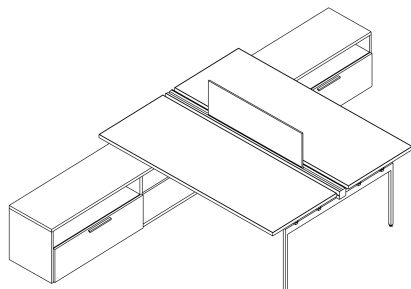
Counterweight must be specified for certain credenzas when used in freestanding applications. Further information is detailed on pricing pages.



Freestanding unit



Credenza used as support for a perpendicular work surface



Credenzas used as supports in a benching application

Construction

- Credenzas are constructed of wood core, laminate and ABS edge banding; cam and dowel construction.
- Material thickness: 1 3/16" (nominal) on credenza bottom and midpanels, 3/4" on credenza back, sides, interior shelves and drawer fronts.
- Material thickness: 1 3/16" (nominal) on credenza tops
- Box and File drawer suspension: Full extension, ball bearing slides
- Units include interlock to prevent more than one drawer (aligned vertically) opening at a time.
- Leveling glides: 3/16" diameter steel stem with 1/16" of height adjustment, 4 per 48" credenza, 5 per 60", 72" and 84" credenza. (Fifth glide centered under credenza.)
- Longer glides are included to provide an additional 1/16" of height adjustment; 2 per 48" credenza, 3 per 60", 72" and 84" credenza.

Internal Drawer Dimensions *

Box drawer

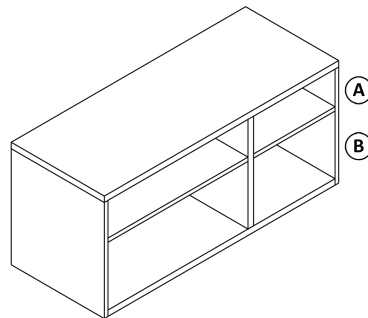
- Internal height: 3 3/4" (5 1/8" clearance)
- Internal width: 26 3/4", 32 3/4", 38 3/4"
- Internal depth: 16 1/4"

File drawer

- Internal height: 9 3/4" (11 3/4" clearance)
- Internal width: 26 3/4", 32 3/4", 38 3/4"
- Internal depth: 16 1/4"

Internal Clearances – Open sections *

- Internal height A: 6 1/2"
- Internal height B: 11 15/16"
- Internal width by nominal configuration size:
18" w configuration = 16 1/2" w
24" w configuration = 22 1/2" w
30" w configuration = 28 1/2" w
36" w configuration = 34 1/2" w
42" w configuration = 40 1/2" w
- Internal depth: 18 1/4"



*Actual dimensions to the nearest 1/16th of an inch.

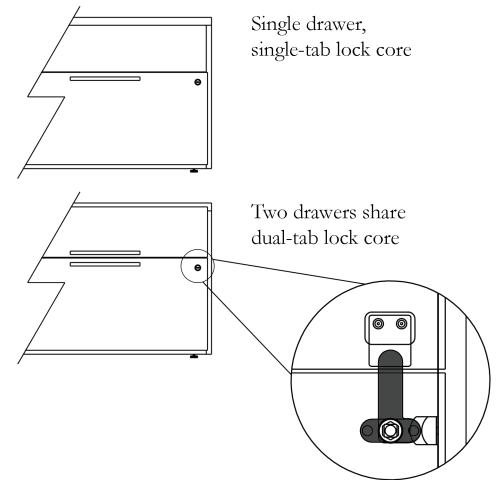
Filing

The credenza file drawer design allows for side-to-side letter or legal filing and front-to-back letter filing. Credenzas with a file drawer include a hanging file bar to accommodate front-to-back filing.

Locks

Anchor Credenzas may be ordered with or without locks. No lock hole is drilled on units specified as non-locking.

Standard lock placement is the upper right hand corner of the bottom file drawer. Center of lock is 1 1/16" from top edge, 1 1/2" from side. Dual-tab lock design allows one shared lock core per box/file configuration.

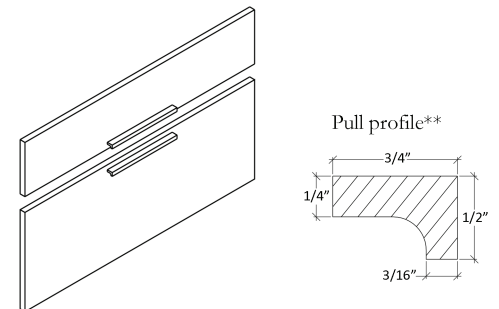


Locks are randomly keyed unless otherwise specified. Other keying options include keyed alike or keyed with lock cores K001-K250. To specify units as such, reference KnollKey Lock Program.

Pulls

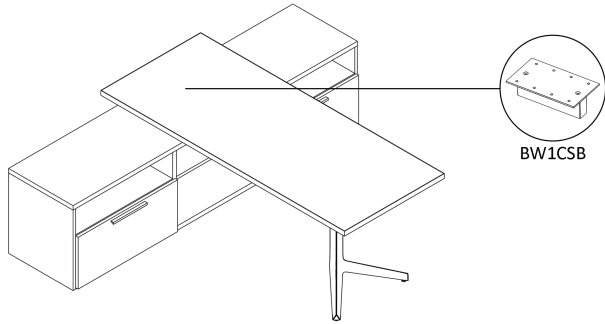
10" Template Pull

10" wide x 3/4" deep x 1/2" high
Position: centered horizontally
Top drawer: mounted 3/4" from bottom of drawer
Bottom drawer: mounted 3/4" from top of drawer

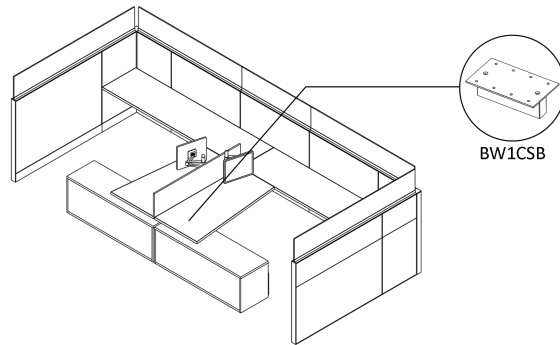


**AA pull finish has grooved underside.

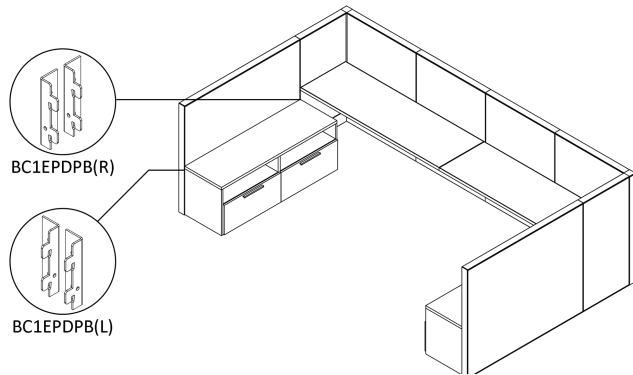
A variety of planning scenarios with the required connection or support brackets are shown below. Single freestanding credenzas may require counterweight kits; refer to pricing pages for specific requirements.



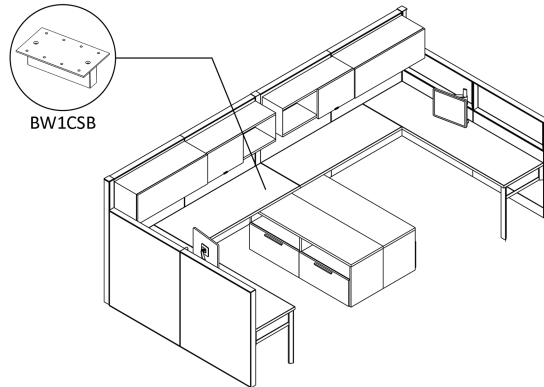
Credenza supporting a Dividends Horizon desk. Specify a **Template BW1CSB Credenza Spacer** to support one end of the work surface. No counterweight kit required.
*In this application, a credenza with a centered midpanel will require the spacer to be mounted off-center.



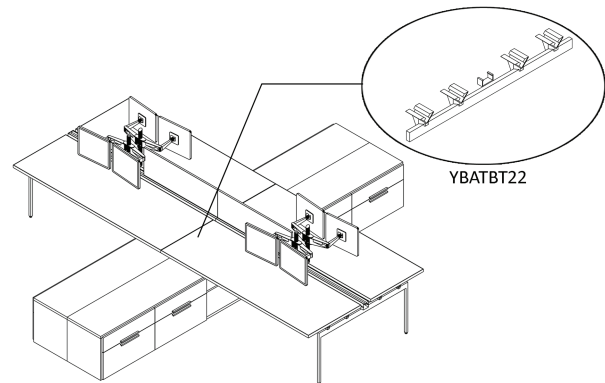
Credenzas supporting work surfaces in a Dividends Horizon panel surround. Specify a **Template BW1CSB Credenza Spacer** per credenza. No counterweight kit required.



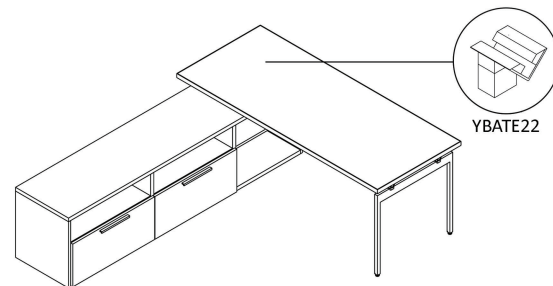
Credenzas mounted to Dividends Horizon panels. For each credenza, specify both the left and right hand **Dividends Horizon Panel brackets BC1EPDPB** to secure the unit to the panel. No counterweight kit required.



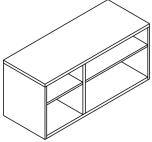
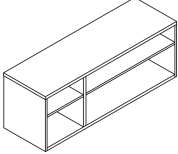
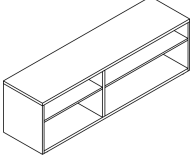
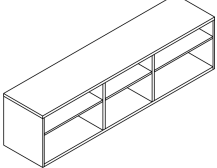
Credenzas supporting work surfaces in a Dividends Horizon panel surround. Specify a **Template BW1CSB Credenza Spacer** for each credenza. No counterweight kit required. When used as freestanding units (not supporting the work surfaces), units may be ganged back-to-back for stability.



Credenzas supporting Antenna Big Table. Specify **Template/Antenna YBATBT22 Floorstanding Cabinet Desk Support Adapters for Big Table** in place of an end leg. Two YBATBT22 adapters would be required for the configuration shown. Units may be ganged back-to-back and/or side-by-side for additional stability. No counterweight kit required.



Credenzas supporting an Antenna desk. Specify **Template/Antenna YBATE22 (pair) Floorstanding Cabinet Desk Support Adapters** to support one end of the work surface. No counterweight kit required.

description	configuration left-to-right	w	h	pattern no.	L1	L2
All Open - 48" Wide Credenza 	Open 18" - Open 30"	48"	22"	WC2248O18O30L	\$1,227.	\$1,435.
	Open 30" - Open 18"	48"	22"	WC2248O30O18L	1,227.	1,435.
All Open - 60" Wide Credenza 	Open 18" - Open 42"	60"	22"	WC2260O18O42L	1,411.	1,671.
	Open 42" - Open 18"	60"	22"	WC2260O42O18L	1,411.	1,671.
	Open 24" - Open 36"	60"	22"	WC2260O24O36L	1,411.	1,671.
	Open 30" - Open 30"	60"	22"	WC2260O30O30L	1,411.	1,671.
	Open 36" - Open 24"	60"	22"	WC2260O36O24L	1,411.	1,671.
All Open - 72" Wide Credenza 	Open 30" - Open 42"	72"	22"	WC2272O30O42L	1,608.	1,894.
	Open 42" - Open 30"	72"	22"	WC2272O42O30L	1,608.	1,894.
	Open 36" - Open 36"	72"	22"	WC2272O36O36L	1,608.	1,894.
All Open - 84" Wide Credenza 	Open 30" - Open 30" - Open 24"	84"	22"	WC2284O30O30O24L	1,881.	2,312.
	Open 30" - Open 24" - Open 30"	84"	22"	WC2284O30O24O30L	1,881.	2,312.
	Open 24" - Open 30" - Open 30"	84"	22"	WC2284O24O30O30L	1,881.	2,312.

Order Information

1. *Base Pattern Number*
2. *Case Finish*
See Finish Options page
3. *Top Finish*
See Finish Options page

Order Code

Credenza , 48" wide, Open 18" - Open 30"	
Example:	WC2248O18O30L
W	Woodcore Storage
C	Credenza
22	22" High
48	48" Wide
O18	Left: Open 18"
O30	Right: Open 30"
L	Laminate case and front
(118)	Case Finish, Bright White
(118)	Top Finish, Bright White

Specification Information

Credenzas with file drawers may require counterweights when used in freestanding applications. When applicable, corresponding counterweights kits are noted within the pricing section above.

Add \$40 to the list price per lock. Reference Credenza Specifications for lock configuration.

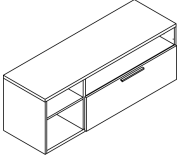
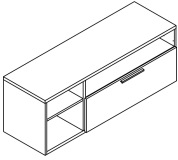
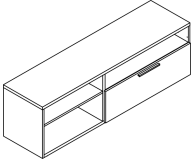
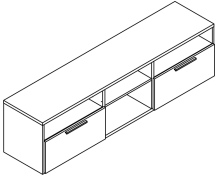
When specifying Anodized Aluminum pull finish, add \$15 to the list price per pull.

Credenza specified with mixed laminate finishes are L2 pricing. Refer to Mixed Laminate Finishes for further details.

Application Notes

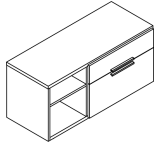
All Open credenzas are 19" deep (nominal). Credenzas with drawer fronts are 20" deep overall (nominal).

Credenzas are preassembled including top.

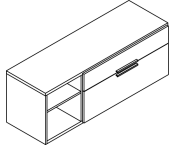
description	configuration left-to-right	w	h	pattern no.	L1	L2
Open with File - 48" Wide Credenza 	Open 18" - File 30" *	48"	22"	WC2248O18F30L(N)	\$1,619.	\$1,809.
	File 30" - Open 18" *	48"	22"	WC2248F30O18L(N)	1,619.	1,809.
* 48" wide credenza with 30" wide file drawer requires counterweight kit WCWKIT01 when used in a freestanding application						
Open with File - 60" Wide Credenza 	Open 24" - File 36"	60"	22"	WC2260O24F36L(N)	1,833.	2,106.
	File 36" - Open 24"	60"	22"	WC2260F36O24L(N)	1,833.	2,106.
	Open 18" - File 42" *	60"	22"	WC2260O18F42L(N)	1,850.	2,135.
	File 42" - Open 18" *	60"	22"	WC2260F42O18L(N)	1,850.	2,135.
* 60" wide credenza with 42" wide file drawer requires counterweight kit WCWKIT02 when used in a freestanding application						
Open with File - 72" Wide Credenza 	Open 30" - File 42" *	72"	22"	WC2272O30F42L(N)	2,039.	2,359.
	File 42" - Open 30" *	72"	22"	WC2272F42O30L(N)	2,039.	2,359.
* 72" wide credenza with 42" wide file drawer requires counterweight kit WCWKIT01 when used in a freestanding application						
Open with File - 84" Wide Credenza 	File 30" - Open 24" - File 30"	84"	22"	WC2284F30O24F30L(N)	2,633.	3,099.

Order Information	Order Code	Specification Information	Application Notes
1. <i>Base Pattern Number</i>	Credenza, 48" wide, Open 18" - File 30"	Credenzas with file drawers may require counterweights when used in freestanding applications. When applicable, corresponding counterweights kits are noted within the pricing section above.	All Open credenzas are 19" deep (nominal). Credenzas with drawer fronts are 20" deep overall (nominal).
2. <i>Lock option</i> L = Locking N = Non-locking	Example: WC2248O18F30L(L)		
3. <i>Case Finish</i> See Finish Options page	WC Anchor Credenza	Add \$40 to the list price per lock. Reference Credenza Specifications for lock configuration.	Credenzas are preassembled including top.
4. <i>Front Finish</i> See Finish Options page	22 22" High		
5. <i>Top Finish</i> See Finish Options page	48 48" Wide		
6. <i>Pull style</i> T = 10" Template pull	O18 Left: Open 18"	When specifying Anodized Aluminum pull finish, add \$15 to the list price per pull.	Rails included with file drawer for side-to-side and front-to-back filing.
7. <i>Pull finish</i> See Finish Options page	F30 Right: File 30"		
8. <i>Lock finish</i> B = Black S = Matte Silver	L Laminate case and front (L) Lock option, Locking (118) Case Finish, Bright White (118) Front Finish, Bright White (118) Top Finish, Bright White (T) Pull Style, 10" Template pull (118) Pull Finish, Bright White (S) Lock finish, Matte Silver	Credenza specified with mixed laminate finishes are L2 pricing. Refer to Mixed Laminate Finishes for further details.	

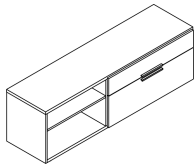
description	configuration left-to-right	w	h	pattern no.	L1	L2
Open with Box/File - 48" Wide Credenza	Open 18" - Box/File 30"	48"	22"	WC2248O18B30L(N)	\$1,918.	\$2,131.
	Box/File 30" - Open 18"	48"	22"	WC2248B30O18L(N)	1,918.	2,131.



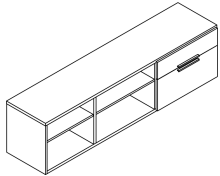
Open with Box/File - 60" Wide Credenza	Open 30" - Box/File 30"	60"	22"	WC2260O30B30L(N)	2,110.	2,359.
	Box/File 30" - Open 30"	60"	22"	WC2260B30O30L(N)	2,110.	2,359.
	Open 24" - Box/File 36"	60"	22"	WC2260O24B36L(N)	2,133.	2,389.
	Box/File 36" - Open 24"	60"	22"	WC2260B36O24L(N)	2,133.	2,389.
	Open 18" - Box/File 42"	60"	22"	WC2260O18B42L(N)	2,149.	2,405.
	Box/File 42" - Open 18"	60"	22"	WC2260B42O18L(N)	2,149.	2,405.



Open with Box/File - 72" Wide Credenza	Open 36" - Box/File 36"	72"	22"	WC2272O36B36L(N)	2,314.	2,613.
	Box/File 36" - Open 36"	72"	22"	WC2272B36O36L(N)	2,314.	2,613.
	Open 30" - Box/File 42"	72"	22"	WC2272O30B42L(N)	2,339.	2,638.
	Box/File 42" - Open 30"	72"	22"	WC2272B42O30L(N)	2,339.	2,638.

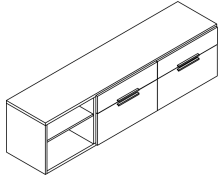


Open with Box/File - 84" Wide Credenza	Open 24" - Open 30" - Box/File 30"	84"	22"	WC2284O24O30B30L(N)	2,580.	3,015.
	Box/File 30" - Open 30" - Open 24"	84"	22"	WC2284B30O30O24L(N)	2,580.	3,015.

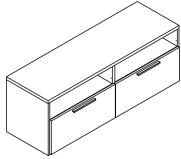


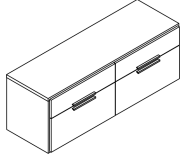
Order Information	Order Code	Specification Information	Application Notes
1. <i>Base Pattern Number</i>	Credenza, 48" wide, Open 18" - Box/File 30"	Credenzas with file drawers may require counterweights when used in freestanding applications. When applicable, corresponding counterweights kits are noted within the pricing section above.	All Open credenzas are 19" deep (nominal). Credenzas with drawer fronts are 20" deep overall (nominal).
2. <i>Lock option</i> L = Locking N = Non-locking	Example: WC2248O18B30L(L)		
3. <i>Case Finish</i> See Finish Options page	WC Anchor Credenza	Add \$40 to the list price per lock. Reference Credenza Specifications for lock configuration.	Credenzas are preassembled including top.
4. <i>Front Finish</i> See Finish Options page	22 22" High		
5. <i>Top Finish</i> See Finish Options page	48 48" Wide		
6. <i>Pull style</i> T = 10" Template pull	O18 Left: Open 18"	When specifying Anodized Aluminum pull finish, add \$15 to the list price per pull.	Rails included with file drawer for side-to-side and front-to-back filing.
7. <i>Pull finish</i> See Finish Options page	B30 Right: Box/File 30"		
8. <i>Lock finish</i> B = Black S = Matte Silver	L Laminate case and front (L) Lock option, Locking (118) Case Finish, Bright White (118) Front Finish, Bright White (118) Top Finish, Bright White (T) Pull Style, 10" Template pull (118) Pull Finish, Bright White (S) Lock finish, Matte Silver	Credenza specified with mixed laminate finishes are L2 pricing. Refer to Mixed Laminate Finishes for further details.	

description	configuration left-to-right	w	h	pattern no.	L1	L2
Open with 2 Box/File - 84" Wide Credenza	Box/File 30" - Open 24" - Box/File 30"	84"	22"	WC2284B30O24B30L(N)	\$3,271.	\$3,711.
	Open 24" - Box/File 30" - Box/File 30"	84"	22"	WC2284O24B30B30L(N)	3,295.	3,728.
	Box/File 30" - Box/File 30" - Open 24"	84"	22"	WC2284B30B30O24L(N)	3,295.	3,728.



Order Information	Order Code	Specification Information	Application Notes
1. <i>Base Pattern Number</i>	Credenza, 48" wide, Open 18" - Box/File 30"	Credenzas with file drawers may require counterweights when used in freestanding applications. When applicable, corresponding counterweights kits are noted within the pricing section above.	All Open credenzas are 19" deep (nominal). Credenzas with drawer fronts are 20" deep overall (nominal).
2. <i>Lock option</i> L = Locking N = Non-locking	Example: WC2248O18B30L(L)		
3. <i>Case Finish</i> See Finish Options page	WC Anchor Credenza	Add \$40 to the list price per lock. Reference Credenza Specifications for lock configuration.	Credenzas are preassembled including top.
4. <i>Front Finish</i> See Finish Options page	22 22" High		
5. <i>Top Finish</i> See Finish Options page	48 48" Wide		
6. <i>Pull style</i> T = 10" Template pull	O18 Left: Open 18"	When specifying Anodized Aluminum pull finish, add \$15 to the list price per pull.	Rails included with file drawer for side-to-side and front-to-back filing.
7. <i>Pull finish</i> See Finish Options page	B30 Right: Box/File 30"		
8. <i>Lock finish</i> B = Black S = Matte Silver	L Laminate case and front	Credenza specified with mixed laminate finishes are L2 pricing. Refer to Mixed Laminate Finishes for further details.	
	(L) Lock option, Locking		
	(118) Case Finish, Bright White		
	(118) Front Finish, Bright White		
	(118) Top Finish, Bright White		
	(T) Pull Style, 10" Template pull		
	(118) Pull Finish, Bright White		
	(S) Lock finish, Matte Silver		

description	configuration left-to-right	w	h	pattern no.	L1	L2
	File 30" - File 30"	60"	22"	WC2260F30F30L(N)	\$2,164.	\$2,451.
	File 36" - File 36"	72"	22"	WC2272F36F36L(N)	2,388.	2,727.
	File 42" - File 42"	84"	22"	WC2284F42F42L(N)	2,629.	3,090.

	Box/File 30" - Box/File 30"	60"	22"	WC2260B30B30L(N)	2,801.	3,055.
	Box/File 36" - Box/File 36"	72"	22"	WC2272B36B36L(N)	3,035.	3,339.
	Box/File 42" - Box/File 42"	84"	22"	WC2284B42B42L(N)	3,260.	3,680.

Order Information

1. *Base Pattern Number*
2. *Lock option*
L = Locking
N = Non-locking
3. *Case Finish*
See Finish Options page
4. *Front Finish*
See Finish Options page
5. *Top Finish*
See Finish Options page
6. *Pull style*
T = 10" Template pull
7. *Pull finish*
See Finish Options page
8. *Lock finish*
B = Black
S = Matte Silver

Order Code

Credenza, 60" wide, File 30" - File 30"

Example: **WC2248F30F30L(L)**

WC Anchor Credenza

22 22" High

60 60" Wide

F30 Left: File 30"

F30 Right: File 30"

L Laminate case and front

(L) Lock option, Locking

(118) Case Finish, Bright White

(118) Front Finish, Bright White

(118) Top Finish, Bright White

(T) Pull Style, 10" Template pull

(118) Pull Finish, Bright White

(S) Lock finish, Matte Silver

Specification Information

Credenzas with file drawers may require counterweights when used in freestanding applications. When applicable, corresponding counterweights kits are noted within the pricing section above.

Add \$40 to the list price per lock. Reference Credenza Specifications for lock configuration.

When specifying Anodized Aluminum pull finish, add \$15 to the list price per pull.

Credenza specified with mixed laminate finishes are L2 pricing. Refer to Mixed Laminate Finishes for further details.

Application Notes

All Open credenzas are 19" deep (nominal). Credenzas with drawer fronts are 20" deep overall (nominal).

Credenzas are preassembled including top.

Rails included with file drawer for side-to-side and front-to-back filing.

Counterweight Kits for Credenzas

Anchor Storage

description	type	pattern no.	list
Counterweight Kits	Counterweight Kit 01	WCWKIT01	\$94.
	Counterweight Kit 02	WCWKIT02	113.

Order Information

Order Code

Specification Information


Application Notes

Credenzas with file drawers may require counterweights when used in freestanding applications.

When applicable, reference the credenza pricing pages to identify the appropriate kit.

Counterweight kits include hardware to mount the counterweight plates.

Counterweight plates are to be mounted to the back panel behind the file drawer(s) inside the credenza.

description	w	d	h	pattern no.	A	B	C	D	E	F	G	H	I
Credenza Cushion Top	30"	18"	1 1/4"	RLCCT3018	\$375.	\$407.	\$430.	\$467.	\$477.	\$522.	\$550.	\$597.	\$674.
	36"	18"	1 1/4"	RLCCT3618	393.	425.	449.	485.	495.	540.	569.	616.	692.

Order Information

1. *Base Pattern Number*
 2. *Fabric*
- See Finish Options page

Order Code

Example: **RLCCT3018 ()**

RL	Base Pattern Number
CCT	Credenza Cushion Top
30	30" Wide
18	18" Deep
()	Fabric

Application Notes

Cushions are for use on credenzas only.

Cushions are preassembled with hook and loop tape for mounting to credenza.

Anchor Doublewide Pedestals

Anchor Doublewide Pedestals are 28" high wood construction cabinets sized to align with desk height (when specified with top) and are designed to be used in a variety of applications.

Doublewide pedestals are available in 3 widths and 5 interior configurations. Reference the Statement of Line page for full product scope.

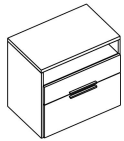
Available Sizes (nominal)

Height: 28" (including top)
Widths: 30", 36", 42"
Depth: 20"

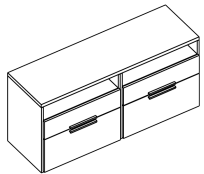
Doublewide Pedestals ship assembled excluding the top. **Doublewide pedestal tops must be specified separately.**

Doublewide pedestals may be specified with a full-width individual top, common top spanning two side-by-side units (facing the same or opposite direction) or with an extended top. Opposite end of the extended worksurface must be supported by a perpendicular work surface, support leg or a panel.

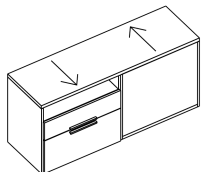
Counterweight kit must be specified for certain doublewide pedestals in applications that are not connected to a desk or another unit. Further information is detailed on pricing pages.



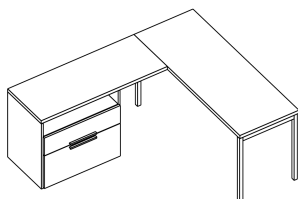
Individual top



Common top, units facing same direction



Common top, units facing opposite direction



Extended top connected to a perpendicular surface.

Construction

- Doublewide Pedestals are constructed of wood core, laminate and ABS edge banding; cam and dowel construction.
- Material thickness: 1³/₁₆" (nominal) on pedestal bottom, ³/₄" on pedestal back, sides, interior shelves and drawer fronts.
- Material thickness: 1³/₁₆" (nominal) on pedestal tops (specified separately)
- Box and File drawer suspension: Full extension, ball bearing slides
- Units include interlock to prevent more than one drawer opening at a time.
- Leveling glides: ³/₁₆" diameter steel stem with ¹¹/₁₆" of height adjustment, 4 per doublewide pedestal.
- Longer glides are included to provide an additional ¹¹/₁₆" of height adjustment; 2 per doublewide pedestal.

Internal Drawer Dimensions *

Box drawer

- Internal height: 3³/₄" (5¹/₈" clearance)
- Internal width: 26³/₄", 32³/₄", 38³/₄"
- Internal depth: 16¹/₄"

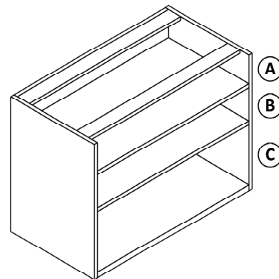
File drawer

- Internal height: 9³/₄" (11³/₄" clearance)
- Internal width: 26³/₄", 32³/₄", 38³/₄"
- Internal depth: 16¹/₄"

Internal Clearances *

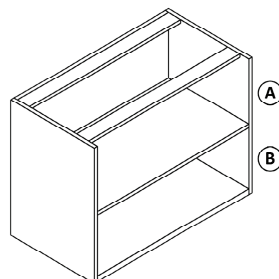
Pedestal with top shelf

- Internal height A: 4⁷/₈"
- Internal height B: 6¹/₂"
- Internal height C: 11¹⁵/₁₆"
- Internal width: 28¹/₂", 34¹/₂", 40¹/₂"
- Internal depth: 18¹/₄"



Pedestal with top shelf removed (where applicable)

- Internal height A: 12¹/₈"
- Internal height B: 11¹⁵/₁₆"



*Actual dimensions to the nearest 1/16th of an inch.

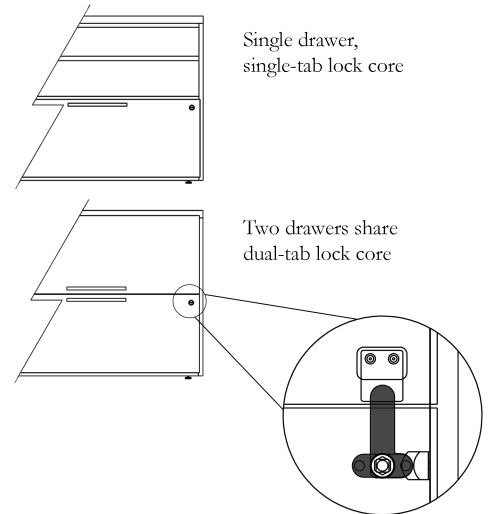
Filing

The pedestal file drawer design allows for side-to-side letter or legal filing and front-to-back letter filing. Pedestals with a file drawer include a hanging file bar to accommodate front-to-back filing.

Locks

Anchor Doublewide Pedestals may be ordered with or without locks. No lock hole is drilled on units specified as non-locking.

Standard lock placement is the upper right hand corner of the bottom file drawer. Center of lock is 1¹/₁₆" from top edge, 1¹/₂" from side. Dual-tab lock design allows one shared lock core per box/file and file/file configuration.

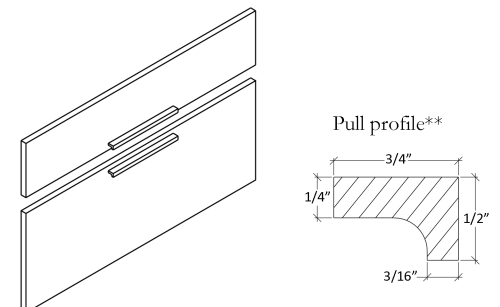


Locks are randomly keyed unless otherwise specified. Other keying options include keyed alike or keyed with lock cores K001-K250. To specify units as such, reference KnollKey Lock Program.

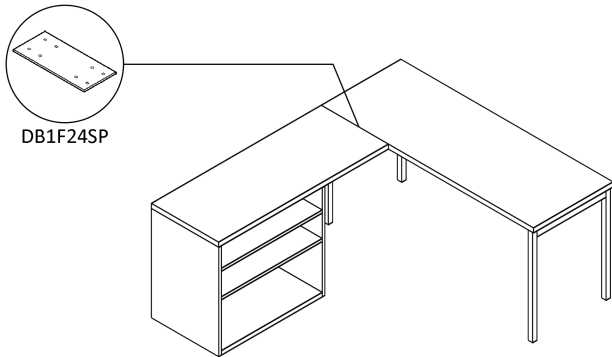
Pulls

10" Template Pull

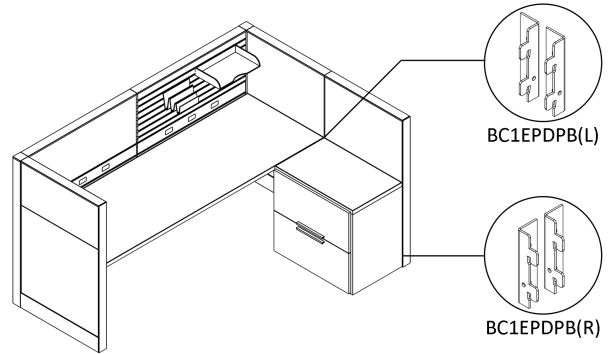
10" wide x ³/₄" deep x ¹/₂" high
Position: centered horizontally
Top drawer: ³/₄" from bottom of drawer
Bottom drawer: ³/₄" from top of drawer



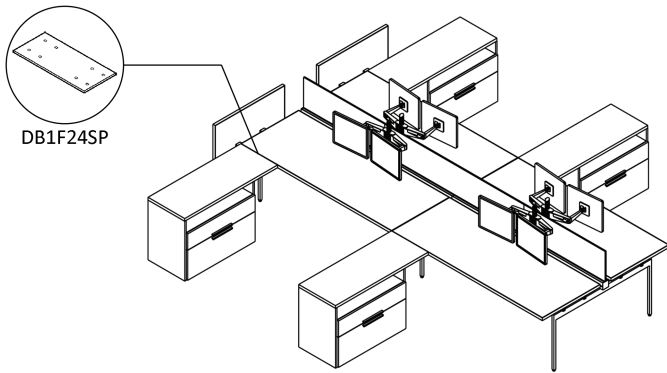
**AA pull finish has grooved underside



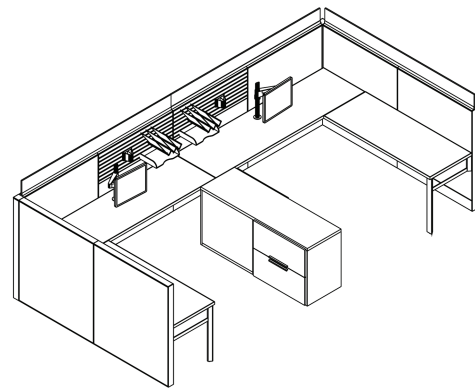
Doublewide pedestal with extended top. Specify **Dividends Horizon DB1F24SP flat bracket** for connection to perpendicular work surface.
No counterweight kit required.



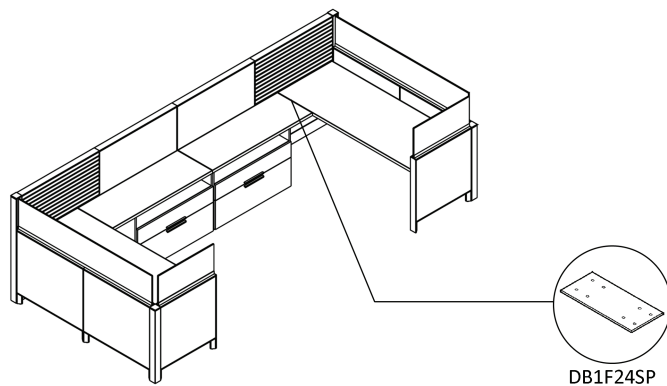
Doublewide pedestal with individual top. Specify both the left and right hand **Dividends Horizon Panel brackets BC1EPDPB** to secure the unit to the panel.
No counterweight kit required.



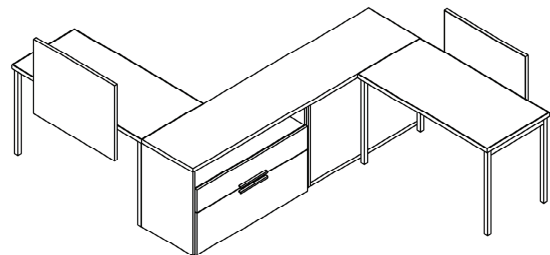
Doublewide pedestals with extended tops. Specify a **Dividends Horizon DB1F24SP flat bracket** where each extended top connects to a perpendicular work surface.
No counterweight kits required.



Common top spanning two doublewide pedestals facing opposite directions.
No counterweight kits required.



Doublewide pedestals each with extended top. Specify a **Dividends Horizon DB1F24SP flat bracket** where each extended top connects to a perpendicular work surface.
No Counterweight kits required.



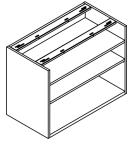
Doublewide Pedestals facing opposite directions with common top.
No counterweight kits required.

Pedestals

Freestanding Doublewide

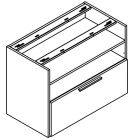
30", 36" and 42" wide units

description	w	h	pattern no.	L1	L2
All Open - Doublewide Pedestal	30"	28"	WP2830OSLN	\$926.	\$1,093.
	36"	28"	WP2836OSLN	1,030.	1,216.
	42"	28"	WP2842OSLN	1,096.	1,391.



Top shelf is removable

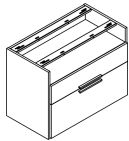
Open / File - Doublewide Pedestal	30"*	28"	WP2830OFL(N)	1,319.	1,504.
	36"*	28"	WP2836OFL(N)	1,437.	1,645.
	42"*	28"	WP2842OFL(N)	1,616.	1,855.



*30" wide Open/File unit requires counterweight kit WCWKIT03 when used in a freestanding application
 *36" wide Open/File unit requires counterweight kit WCWKIT04 when used in a freestanding application
 *42" wide Open/File unit requires counterweight kit WCWKIT05 when used in a freestanding application

Top shelf is removable

Open / Box / File - Doublewide Pedestal	30"*	28"	WP2830OBL(N)	1,601.	1,765.
	36"*	28"	WP2836OBL(N)	1,728.	1,919.
	42"*	28"	WP2842OBL(N)	1,891.	2,109.



*30" wide Open/Box/File unit requires counterweight kit WCWKIT03 when used in a freestanding application
 *36" wide Open/Box/File unit requires counterweight kit WCWKIT04 when used in a freestanding application
 *42" wide Open/Box/File unit requires counterweight kit WCWKIT05 when used in a freestanding application

Order Information

1. Base Pattern Number
2. Lock option
L = Locking
N = Non-locking
3. Case Finish
See Finish Options page
4. Front Finish
See Finish Options page
5. Pull style
T = 10" Template pull
6. Pull finish
See Finish Options page
7. Lock finish
B = Black
S = Matte Silver

Order Code

Doublewide Pedestal, 30" wide, Open / File	
Example:	WP2830OFL(L)
WP	Anchor Pedestal
28	28" High
30	30" Wide
OF	Open / File
L	Laminate case and front
(L)	Lock option, Locking
(118)	Case Finish, Bright White
(118)	Front Finish, Bright White
(T)	Pull Style, 10" Template pull
(118)	Pull Finish, Bright White
(S)	Lock finish, Matte Silver

Specification Information

Doublewide Pedestals with file drawers may require counterweights when used in freestanding applications. When applicable, corresponding counterweights kits are noted within the pricing section above.

Add \$40 to the list price per lock. Reference Pedestal Specifications for lock configuration.

When specifying Anodized Aluminum pull finish, add \$15 to the list price per pull.

Doublewide pedestals specified with mixed laminate finishes are L2 pricing. Refer to Mixed Laminate Finishes for further details.

Application Notes

Pedestal top must be specified separately, see "Pedestal Tops" section.

All Open pedestals are 19" deep (nominal). Pedestals with drawer fronts are 20" deep overall (nominal).

Pedestals complete with top (specified separately) align with desk height. The overall height of a finished pedestal including top is 28" (nominal).

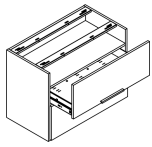
Rails included with file drawer for side-to-side and front-to-back filing.

Pedestals

Freestanding Doublewide

30", 36" and 42" wide units

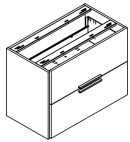
description	w	h	pattern no.	L1	L2
Box (File Front) / File - Doublewide Pedestal	30"*	28"	WP2830CFL(N)	\$1,634.	\$1,811.
	36"*	28"	WP2836CFL(N)	1,768.	1,971.
	42"*	28"	WP2842CFL(N)	1,948.	2,168.



Top shelf is removable

*30" wide Box(File Front)/File unit requires counterweight kit WCWKIT03 when used in a freestanding application
 *36" wide Box(File Front)/File unit requires counterweight kit WCWKIT04 when used in a freestanding application
 *42" wide Box(File Front)/File unit requires counterweight kit WCWKIT05 when used in a freestanding application

File / File - Doublewide Pedestal	30"*	28"	WP2830FFL(N)	1,525.	1,670.
	36"*	28"	WP2836FFL(N)	1,624.	1,793.
	42"*	28"	WP2842FFL(N)	1,788.	1,980.



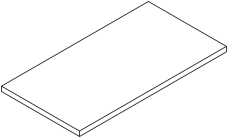
*30" wide File/File unit requires counterweight kit WCWKIT02 when used in a freestanding application
 *36" wide File/File unit requires counterweight kit WCWKIT03 when used in a freestanding application
 *42" wide File/File unit requires counterweight kit WCWKIT04 when used in a freestanding application

Order Information	Order Code	Specification Information	Application Notes
1. <i>Base Pattern Number</i>	Doublewide Pedestal, 30" wide, File / File	Doublewide Pedestals with file drawers may require counterweights when used in freestanding applications. When applicable, corresponding counterweights kits are noted within the pricing section above.	Pedestal top must be specified separately, see "Pedestal Tops" section.
2. <i>Lock option</i> L = Locking N = Non-locking	Example: WP2830FFL(L)		
3. <i>Case Finish</i> See Finish Options page	WP Anchor Pedestal		
4. <i>Front Finish</i> See Finish Options page	28 28" High		
5. <i>Pull style</i> T = 10" Template pull	30 30" Wide		
6. <i>Pull finish</i> See Finish Options page	FF File / File		
7. <i>Lock finish</i> B = Black S = Matte Silver	L Laminate case and front		
	(L) Lock option, Locking	Add \$40 to the list price per lock. Reference Pedestal Specifications for lock configuration.	Pedestals complete with top (specified separately) align with desk height. The overall height of a finished pedestal including top is 28" (nominal).
	(118) Case Finish, Bright White	When specifying Anodized Aluminum pull finish, add \$15 to the list price per pull.	Rails included with file drawer for side-to-side and front-to-back filing.
	(118) Front Finish, Bright White	Doublewide pedestals specified with mixed laminate finishes are L2 pricing. Refer to Mixed Laminate Finishes for further details.	
	(T) Pull Style, 10" Template pull		
	(118) Pull Finish, Bright White		
	(S) Lock finish, Matte Silver		

Pedestal Tops

For Freestanding Doublewide Pedestals

Anchor Storage

description	w	d	h	pattern no.	L1	L2
Tops 	30"	19"	1 1/4"	WPT3019	\$176.	\$210.
	36"	19"	1 1/4"	WPT3619	198.	235.
	42"	19"	1 1/4"	WPT4219	226.	271.
	42"	19"	1 1/4"	WPT4819	251.	303.
	54"	19"	1 1/4"	WPT5419	270.	323.
	60"	19"	1 1/4"	WPT6019	293.	352.
	66"	19"	1 1/4"	WPT6619	314.	379.
	72"	19"	1 1/4"	WPT7219	333.	399.
	78"	19"	1 1/4"	WPT7819	355.	427.
	84"	19"	1 1/4"	WPT8419	377.	451.

Order Information

1. Base Pattern Number
2. Finish
See Finish Options page

Order Code

Doublewide Pedestal Top, 30" x 19"
Example: **WPT3019** ()
WPT Anchor Pedestal Top
30 30" Wide
19 19" deep
(118) Finish, Bright White

Specification Information

For use with Anchor Doublewide Pedestals only.

Mounting hardware included with Pedestals.

Edgebanding preselected to match or coordinate with laminate, see "Finish Options" page for further details.

See Pedestal Specifications for Pedestal Top planning.

Application Notes

Counterweight Kits For Pedestals

description	type	w	h	pattern no.	list
Counterweight Kits	Counterweight Kit 02			WCWKIT02	\$113.
	Counterweight Kit 03			WCWKIT03	159.
	Counterweight Kit 04			WCWKIT04	178.
	Counterweight Kit 05			WCWKIT05	197.

Order Information

Order Code

Specification Information

Application Notes

Pedestals with file drawers may require counterweights when used in freestanding applications.

When applicable, reference the pedestal pricing pages to identify the appropriate kit.

Counterweight kits include hardware to mount the counterweight plates.

Counterweight plates are to be mounted to the back panel behind the file drawer(s) inside the pedestal.

Anchor Lockers

Anchor Lockers are 12" wide wood construction cabinets offered in 2 depths and 5 heights designed to correspond with Dividends Horizon panel heights.

Locker configurations include all open with shelves or enclosed with a door. Multiple door option is available in limited heights. Reference the Statement of Line for full product scope.

Available Sizes (nominal)

Height: 42", 50", 57", 64" 71"

Widths: 12"

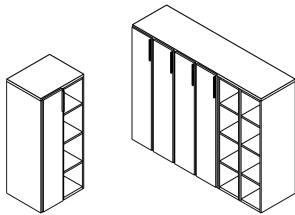
Depth: 20", 24"

Lockers ship assembled excluding the top.

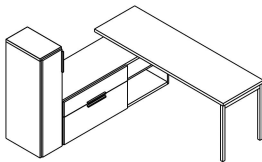
Locker tops must be specified separately.

Lockers may be specified with a full-width individual top or specified in banks with a common top spanning up to eight units. They may be installed facing the same or opposite direction. Lockers may also be used to support one end of a work surface utilizing the accessory L-bracket.

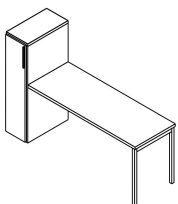
Lockers must be ganged to a locker, another Anchor storage unit or connected to a work surface for stability.



Lockers with common top (specified separately) spanning up to eight lockers



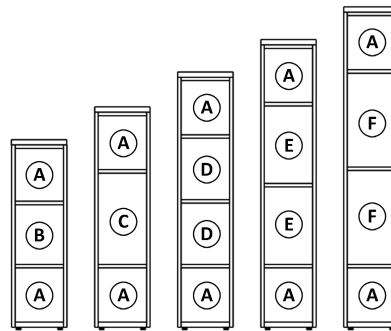
Locker connected to a workstation, ganged to another Anchor storage unit



Locker supporting one end of a work surface utilizing L-bracket accessory

Construction

- Lockers are constructed of wood core, laminate and ABS edge banding; cam and dowel construction.
- Material thickness: 1 3/16" (nominal) on locker bottom, 3/4" on locker back, sides, subtop, interior shelves and doors.
- Material thickness: 1 3/16" (nominal) on locker tops (specified separately)
- Leveling glides: 5/16" diameter steel stem with 1/16" of height adjustment, 4 per locker.



Internal Clearances*

All Open with Shelves

Internal height:

- 42" high: A: 11 15/16", B: 12 1/4"
- 50" high: A: 11 15/16", C: 19 5/16"
- 57" high: A: 11 15/16", D: 13 3/8"
- 64" high: A: 11 15/16", E: 16 5/8"
- 71" high: A: 11 15/16", F: 20 1/8"

Internal width: 10 1/2"

Internal depth: 18 5/16", 22 3/4"

*Actual dimensions to the nearest 1/16th of an inch

Locks

Anchor Lockers may be ordered with or without locks. No lock hole is drilled on units specified as non-locking.

Locks are randomly keyed unless otherwise specified. Other keying options include keyed alike or keyed with lock cores K001-K250. To specify units as such, reference KnollKey Lock Program.

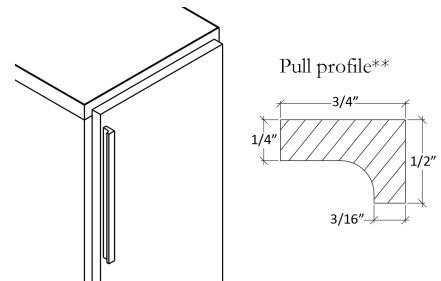
Pulls

10" Template Pull

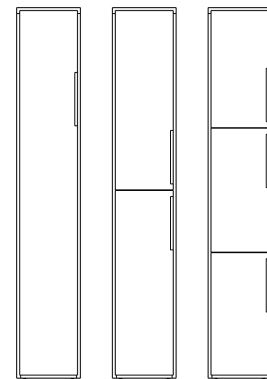
10" wide x 3/4" deep x 1/2" high

** AA pull finish has grooved underside.

Standard pull position: 1 1/8" below top edge of door; exceptions shown below.



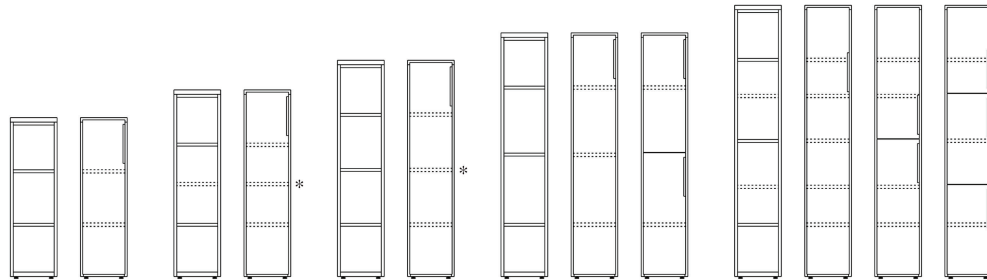
Standard Pull Position



Pull positions on 71" high lockers standard except the following:

- Full Door: 11 5/8" below top edge of door
- Double Door locker, top door: 1 1/8" above bottom edge of door
- Triple Door locker, top door: 11 1/8" below top edge of door

Locker Shelf Positions



Height	42"	42"	50"	50"	57"	57"	64"	64"	64"	71"	71"	71"	71"
Configuration	Open	Full Door	Open	Full Door	Open	Full Door	Open	Full Door	Double Door	Open	Full Door	Double Door	Triple Door
Number of shelves included standard	2	1	2	1*	3	1*	3	1	0	3	1	0	0
Total shelf positions predrilled	2	2	3	3*	3	3*	3	3	2**	5	5	4***	3**

* Middle shelf position can only accept a partial-depth shelf

** One shelf position per interior section

*** Two shelf positions per interior section

Locker Coat Hook and Coat Rod specifications

Locker with coat hook factory-installed

Sample pattern number: WL5724FHRHL(N)

Locker, Full Door, including coat hook

Includes:

- One full-depth shelf
- Coat hook, factory-installed, see hook location details below

Also shown:

- Two partial-depth shelves (**must be specified separately**)
- Locker top (**must be specified separately**)

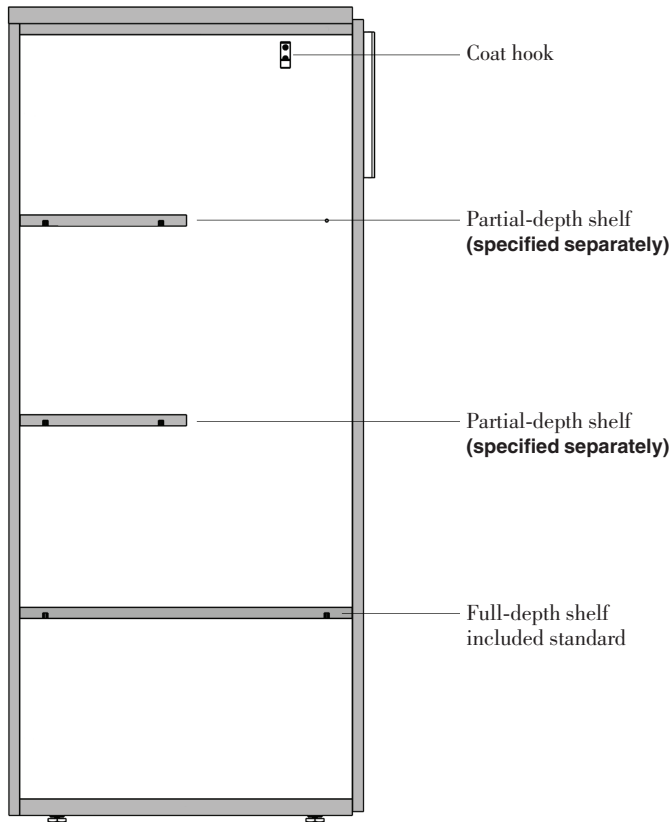
This configuration allows for storage shelves at the back of the locker and coat storage at the front of the locker to maximize internal space.

To specify a locker with custom coat hook location:

- Locker (not including a hook) - sample pattern number WL5724FDRHL(N)
- Coat hook (pattern number WACH); field-installed
- Locker top specified separately

To specify a locker with a coat rod:

- Locker (not including a hook) - sample pattern number WL5724FDRHL(N)
- Coat rod (pattern number WLCR); field-installed
- Locker top specified separately



Locker cross-section

Coat hook standard location:

Coat hook is located on the same side panel as the door hinges.

3 1/2" (on center) from front edge of 20" deep locker case

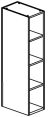

5 5/8" (on center) from front edge of 24" deep locker case

1/2" below inner top (42", 50", 57", 64" high lockers)

1/2" below top shelf location (71" high locker)

Lockers

Open with Shelves

description	h	w	d	pattern no.	L1	L2
 Open with Shelves, 20" deep	42"	12"	20"	WL4220OSL	\$787.	\$996.
	50"	12"	20"	WL5020OSL	863.	1,096.
	57"	12"	20"	WL5720OSL	988.	1,265.
	64"	12"	20"	WL6420OSL	1,052.	1,352.
	71"	12"	20"	WL7120OSL	1,113.	1,440.
 Open with Shelves, 24" deep	42"	12"	24"	WL4224OSL	880.	1,142.
	50"	12"	24"	WL5024OSL	959.	1,258.
	57"	12"	24"	WL5724OSL	1,107.	1,455.
	64"	12"	24"	WL6424OSL	1,180.	1,558.
	71"	12"	24"	WL7124OSL	1,252.	1,661.

Order Information

1. *Base Pattern Number*
2. *Finish*
See Finish Options page

Order Code

Locker, 12W, 42H, 20D Open with Shelves

Example: **WL4220OSL**

WL	Anchor Locker
42	42" High
20	20" Deep
OS	Open with Shelves
L	Laminate
(118)	Case Finish, Bright White

Specification Information

Locker top must be specified separately, see "Locker Tops" section.

Open lockers 42" and 50" high include 2 shelves; 57", 64" and 71" high include 3 shelves. Lockers with full-height door include 1 adjustable shelf. Additional full-depth and partial-depth shelves may be ordered separately.

Application Notes

Lockers must be connected to another locker, Anchor storage unit or a work surface for stability. Refer to Locker Specifications for further information.



Open lockers are 19" and 23" deep (nominal); lockers with doors are 20" and 24" deep overall (nominal).

Heights listed are nominal and indicate the overall height of a locker complete with a top.

Lockers

Full Door


including coat hook


description	configuration	h	w	d	pattern no.	L1	L2
Locker with Full Height Door, including coat hook, 20" deep  (right hand shown)	left hand	42"	12"	20"	WL4220FHLHL(N)	\$978.	\$1,206.
	left hand	50"	12"	20"	WL5020FHLHL(N)	1,069.	1,333.
	left hand	57"	12"	20"	WL5720FHLHL(N)	1,149.	1,441.
	left hand	64"	12"	20"	WL6420FHLHL(N)	1,257.	1,578.
	left hand	71"	12"	20"	WL7120FHLHL(N)	1,337.	1,687.
	right hand	42"	12"	20"	WL4220FHRHL(N)	978.	1,206.
	right hand	50"	12"	20"	WL5020FHRHL(N)	1,069.	1,333.
	right hand	57"	12"	20"	WL5720FHRHL(N)	1,149.	1,441.
	right hand	64"	12"	20"	WL6420FHRHL(N)	1,257.	1,578.
	right hand	71"	12"	20"	WL7120FHRHL(N)	1,337.	1,687.
Locker with Full Height Door, including coat hook, 24" deep  (right hand shown)	left hand	42"	12"	24"	WL4224FHLHL(N)	1,061.	1,319.
	left hand	50"	12"	24"	WL5024FHLHL(N)	1,162.	1,461.
	left hand	57"	12"	24"	WL5724FHLHL(N)	1,250.	1,580.
	left hand	64"	12"	24"	WL6424FHLHL(N)	1,367.	1,729.
	left hand	71"	12"	24"	WL7124FHLHL(N)	1,455.	1,850.
	right hand	42"	12"	24"	WL4224FHRHL(N)	1,061.	1,319.
	right hand	50"	12"	24"	WL5024FHRHL(N)	1,162.	1,461.
	right hand	57"	12"	24"	WL5724FHRHL(N)	1,250.	1,580.
	right hand	64"	12"	24"	WL6424FHRHL(N)	1,367.	1,729.
	right hand	71"	12"	24"	WL7124FHRHL(N)	1,455.	1,850.

Order Information	Order Code	Specification Information	Application Notes
1. <i>Base Pattern Number</i>	Locker , 42H, 20D, full door,	<p>Locker top must be specified separately, see "Locker Tops" section.</p> <p>Open lockers 42" and 50" high include 2 shelves; 57", 64" and 71" high include 3 shelves. Lockers with full-height door include 1 adjustable shelf. Additional full-depth and partial-depth shelves may be ordered separately.</p> <p>Add \$40 to the list price per lock. Lockers with double doors require two locks; lockers with triple doors require three locks.</p> <p>When specifying Anodized Aluminum pull, add \$15 to the list price per pull.</p> <p>Lockers specified with mixed laminate finishes are L2 pricing. Refer to Mixed Laminate Finishes.</p>	<p>Lockers must be connected to another locker, Anchor storage unit or a work surface for stability. Refer to Locker Specifications for further information.</p> <p>Open lockers are 19" and 23" deep (nominal); lockers with doors are 20" and 24" deep overall (nominal).</p> <p>Heights listed are nominal and indicate the overall height of a locker complete with a top.</p> <p>Lockers including coat hook have a factory-installed coat hook on the end panel. Hook is located on the same side as the door hinges. See Locker Planning for details. Coat hook or rod may be specified separately and field-installed for lockers that do not include a coat hook.</p>
2. <i>Lock option</i> L = Locking N = Non-locking	incl. coat hook, left hand, laminate, locking		
3. <i>Case Finish</i> See Finish Options page	Example: WL4220FHLHLL		
4. <i>Door Finish</i> See Finish Options page	WL Anchor Locker		
5. <i>Pull style</i> T = 10" Template pull	42 42" High		
6. <i>Pull finish</i> See Finish Options page	20 20" Deep		
7. <i>Lock finish</i> B = Black S = Matte Silver	FH Full Door, with Coat Hook		
	LH Left Hand		
	L Laminate		
	(L) Locking		
	(118) Case Finish, Bright White		
	(118) Door Finish, Bright White		
	(T) Pull Style, 10" Template pull		
	(118) Pull Finish, Bright White		
	(S) Lock finish, Matte Silver		

Lockers

Full Door

description	configuration	h	w	d	pattern no.	L1	L2
 Locker with Full Height Door, 20" deep (right hand shown)	left hand	42"	12"	20"	WL4220FDLHL(N)	\$944.	\$1,172.
	left hand	50"	12"	20"	WL5020FDLHL(N)	1,035.	1,299.
	left hand	57"	12"	20"	WL5720FDLHL(N)	1,114.	1,407.
	left hand	64"	12"	20"	WL6420FDLHL(N)	1,223.	1,544.
	left hand	71"	12"	20"	WL7120FDLHL(N)	1,303.	1,653.
	right hand	42"	12"	20"	WL4220FDRHL(N)	944.	1,172.
	right hand	50"	12"	20"	WL5020FDRHL(N)	1,035.	1,299.
	right hand	64"	12"	20"	WL6420FDRHL(N)	1,223.	1,544.
	right hand	71"	12"	20"	WL7120FDRHL(N)	1,303.	1,653.

 Locker with Full Height Door, 24" deep (right hand shown)	left hand	42"	12"	24"	WL4224FDLHL(N)	1,027.	1,285.
	left hand	50"	12"	24"	WL5024FDLHL(N)	1,128.	1,426.
	left hand	57"	12"	24"	WL5724FDLHL(N)	1,216.	1,545.
	left hand	64"	12"	24"	WL6424FDLHL(N)	1,333.	1,695.
	left hand	71"	12"	24"	WL7124FDLHL(N)	1,421.	1,816.
	right hand	42"	12"	24"	WL4224FDRHL(N)	1,027.	1,285.
	right hand	50"	12"	24"	WL5024FDRHL(N)	1,128.	1,426.
	right hand	57"	12"	24"	WL5724FDRHL(N)	1,216.	1,545.
	right hand	64"	12"	24"	WL6424FDRHL(N)	1,333.	1,695.
	right hand	71"	12"	24"	WL7124FDRHL(N)	1,421.	1,816.

Order Information

1. Base Pattern Number
2. Lock option
L = Locking
N = Non-locking
3. Case Finish
See Finish Options page
4. Door Finish
See Finish Options page
5. Pull style
T = 10" Template pull
6. Pull finish
See Finish Options page
7. Lock finish
B = Black
S = Matte Silver

Order Code

Locker ,	42H, 20D, full door, left hand, laminate, locking
Example:	WL4220FDLHL
WL	Anchor Locker
42	42" High
20	20" Deep
FD	Full Door
LH	Left Hand
L	Laminate
(L)	Locking
(118)	Case Finish, Bright White
(118)	Door Finish, Bright White
(T)	Pull Style, 10" Template pull
(118)	Pull Finish, Bright White
(S)	Lock finish, Matte Silver

Specification Information

Locker top must be specified separately, see "Locker Tops" section.

Open lockers 42" and 50" high include 2 shelves; 57", 64" and 71" high include 3 shelves. Lockers with full-height door include 1 adjustable shelf. Additional full-depth and partial-depth shelves may be ordered separately.

Add \$40 to the list price per lock. Lockers with double doors require two locks; lockers with triple doors require three locks.

When specifying Anodized Aluminum pull, add \$15 to the list price per pull.

Lockers specified with mixed laminate finishes are L2 pricing. Refer to Mixed Laminate Finishes.

Application Notes

Lockers must be connected to another locker, Anchor storage unit or a work surface for stability. Refer to Locker Specifications for further information.


Open lockers are 19" and 23" deep (nominal); lockers with doors are 20" and 24" deep overall (nominal).

Heights listed are nominal and indicate the overall height of a locker complete with a top.

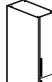
Lockers including coat hook have a factory-installed coat hook on the end panel. Hook is located on the same side as the door hinges. See Locker Planning for details. Coat hook or rod may be specified separately and field-installed for lockers that do not include a coat hook.

Lockers

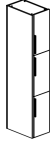
Double Door and Triple Door

description	configuration	h	w	d	pattern no.	L1	L2
 Locker with Double Door, 20" deep	left hand	64"	12"	20"	WL6420DDLHL(N)	\$1,266.	\$1,587.
	left hand	71"	12"	20"	WL7120DDLHL(N)	1,346.	1,696.
	right hand	64"	12"	20"	WL6420DDRHL(N)	1,266.	1,587.
	right hand	71"	12"	20"	WL7120DDRHL(N)	1,346.	1,696.


(right hand shown)

 Locker with Double Door, 24" deep	left hand	64"	12"	24"	WL6424DDLHL(N)	1,376.	1,716.
	left hand	71"	12"	24"	WL7124DDLHL(N)	1,464.	1,859.
	right hand	64"	12"	24"	WL6424DDRHL(N)	1,376.	1,716.
	right hand	71"	12"	24"	WL7124DDRHL(N)	1,464.	1,859.

(right hand shown)

 Locker with Triple Door, 20" deep	left hand	71"	12"	20"	WL7120TDLHL(N)	1,505.	1,872.
	right hand	71"	12"	20"	WL7120TDRHL(N)	1,505.	1,872.

(right hand shown)

 Locker with Triple Door, 24" deep	left hand	71"	12"	24"	WL7124TDLHL(N)	1,632.	2,046.
	right hand	71"	12"	24"	WL7124TDRHL(N)	1,632.	2,046.

(right hand shown)

Order Information

1. *Base Pattern Number*
2. *Lock option*
L = Locking
N = Non-locking
3. *Case Finish*
See Finish Options page
4. *Door Finish*
See Finish Options page
5. *Pull style*
T = 10" Template pull
6. *Pull finish*
See Finish Options page
7. *Lock finish*
B = Black
S = Matte Silver

Order Code

Locker ,	64H, 12W, 20D, double door, left hand, laminate, locking
Example:	WL6420DDLHL
WL	Anchor Locker
64	64" High
20	20" Deep
DD	Double Door
LH	Left Hand
L	Laminate
(L)	Locking
(118)	Case Finish, Bright White
(118)	Door Finish, Bright White
(T)	Pull Style, 10" Template pull
(118)	Pull Finish, Bright White
(S)	Lock finish, Matte Silver

Specification Information

Locker top must be specified separately, see "Locker Tops" section.

Open lockers 42" and 50" high include 2 shelves; 57", 64" and 71" high include 3 shelves. Lockers with full-height door include 1 adjustable shelf. Additional full-depth and partial-depth shelves may be ordered separately.

Add \$40 to the list price per lock. Lockers with double doors require two locks; lockers with triple doors require three locks.

When specifying Anodized Aluminum pull, add \$15 to the list price per pull.

Lockers specified with mixed laminate finishes are L2 pricing. Refer to Mixed Laminate Finishes.

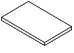
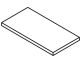
Application Notes

Lockers must be connected to another locker, Anchor storage unit or a work surface for stability. Refer to Locker Specifications for further information.

Open lockers are 19" and 23" deep (nominal); lockers with doors are 20" and 24" deep overall (nominal).

Heights listed are nominal and indicate the overall height of a locker complete with a top.

Lockers including coat hook have a factory-installed coat hook on the end panel. Hook is located on the same side as the door hinges. See Locker Planning for details. Coat hook or rod may be specified separately and field-installed for lockers that do not include a coat hook.

description	application	w	d	he	pattern no.	L1	L2
Tops for 20" deep lockers 	top for 1 locker	12"	20"	1 1/4"	WLT1220L	\$86.	\$111.
	common top for 2 lockers	24"	20"	1 1/4"	WLT2420L	137.	186.
	common top for 3 lockers	36"	20"	1 1/4"	WLT3620L	197.	271.
	common top for 4 lockers	48"	20"	1 1/4"	WLT4820L	247.	346.
	common top for 5 lockers	60"	20"	1 1/4"	WLT6020L	303.	426.
	common top for 6 lockers	72"	20"	1 1/4"	WLT7220L	362.	511.
	common top for 7 lockers	84"	20"	1 1/4"	WLT8420L	422.	595.
	common top for 8 lockers	96"	20"	1 1/4"	WLT9620L	477.	675.
Tops for 24" deep lockers 	top for 1 locker	12"	24"	1 1/4"	WLT1224L	96.	128.
	common top for 2 lockers	24"	24"	1 1/4"	WLT2424L	158.	221.
	common top for 3 lockers	36"	24"	1 1/4"	WLT3624L	227.	322.
	common top for 4 lockers	48"	24"	1 1/4"	WLT4824L	289.	415.
	common top for 5 lockers	60"	24"	1 1/4"	WLT6024L	354.	512.
	common top for 6 lockers	72"	24"	1 1/4"	WLT7224L	424.	614.
	common top for 7 lockers	84"	24"	1 1/4"	WLT8424L	494.	715.
	common top for 8 lockers	96"	24"	1 1/4"	WLT9624L	560.	812.

Order Information

1. *Base Pattern Number*
2. *Finish*
See Finish Options page

Order Code

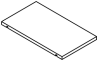
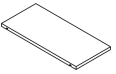

Locker Top, 12W x 20D	
Example:	WLT1220L
WLT	Anchor Locker Top
12	12" Wide
20	20" Deep
L	Laminate
(118)	Finish, Bright White

Specification Information

For use with Anchor Lockers only.
Edgebanding preselected to match or coordinate with laminate, see "Finish Options" page for further details.

Application Notes

Locker tops are 19" and 23" deep nominal.

description	w	d	h	pattern no.	L1	L2
Full-depth shelf for 20" deep locker 	10 1/2"	18 3/8"	3/4"	WLSF1220L	\$93.	\$109.
Full-depth shelf for 24" deep locker 	10 1/2"	22 3/4"	3/4"	WLSF1224L	102.	120.
Partial-depth shelf for 20" and 24" deep locker 	10 1/2"	11 3/8"	3/4"	WLSH1224L	75.	84.

Order Information

1. *Base Pattern Number*
2. *Finish*
See Finish Options page

Order Code

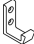

Locker Shelf, 12W x 20D	
Example:	WLSF1220L
WLS	Anchor Locker Shelf
12	12" Wide locker
20	20" Deep locker
L	Laminate
(118)	Finish, Bright White

Specification Information

For use with Anchor Lockers only.

Edgebanding preselected to match or coordinate with laminate, see "Finish Options" page for further details.

Application Notes

description	finish	pattern no.	list
Coat Hook, side mount 	Anodized Silver	WACH	\$34.
Coat Rod, side mount	Chrome	WLCR	25.
L-bracket for side-mounted work surface 20" and 24" deep (nominal) 	Black	WLLB	40.

Order Information

Order Code

Specification Information

Application Notes

WLLB L-bracket allows for a work surface to be mounted to the side of a locker (of matching depth).

Alpha-Numeric Index

<i>pattern no.</i>	<i>page</i>	<i>pattern no.</i>	<i>page</i>	<i>pattern no.</i>	<i>page</i>
RLCCT3018	17	WL4224FHRHL(N)	28	WLT2424L	31
RLCCT3618	17	WL4224OSL	27	WLT3620L	31
WACH	33	WL5020FDLHL(N)	29	WLT3624L	31
WC2248B30018L(N)	13	WL5020FDRHL(N)	29	WLT4820L	31
WC2248F30018L(N)	12	WL5020FHLHL(N)	28	WLT4824L	31
WC2248O18B30L(N)	13	WL5020FHRHL(N)	28	WLT6020L	31
WC2248O18F30L(N)	12	WL5020OSL	27	WLT6024L	31
WC2248O18O30L	11	WL5024FDLHL(N)	29	WLT7220L	31
WC2248O30O18L	11	WL5024FDRHL(N)	29	WLT7224L	31
WC2260B30B30L(N)	15	WL5024FHLHL(N)	28	WLT8420L	31
WC2260B30O30L(N)	13	WL5024FHRHL(N)	28	WLT8424L	31
WC2260B36O24L(N)	13	WL5024OSL	27	WLT9620L	31
WC2260B42O18L(N)	13	WL5720FDLHL(N)	29	WLT9624L	31
WC2260F30F30L(N)	15	WL5720FHLHL(N)	28	WP2830CFL(N)	21
WC2260F36O24L(N)	12	WL5720FHRHL(N)	28	WP2830FFL(N)	21
WC2260F42O18L(N)	12	WL5720OSL	27	WP2830OBL(N)	20
WC2260O18B42L(N)	13	WL5724FDLHL(N)	29	WP2830OFL(N)	20
WC2260O18F42L(N)	12	WL5724FDRHL(N)	29	WP2830OSLN	20
WC2260O18O42L	11	WL5724FHLHL(N)	28	WP2836CFL(N)	21
WC2260O24B36L(N)	13	WL5724FHRHL(N)	28	WP2836FFL(N)	21
WC2260O24F36L(N)	12	WL5724OSL	27	WP2836OBL(N)	20
WC2260O24O36L	11	WL6420DDLHL(N)	30	WP2836OFL(N)	20
WC2260O30B30L(N)	13	WL6420DDRHL(N)	30	WP2836OSLN	20
WC2260O30O30L	11	WL6420FDLHL(N)	29	WP2842CFL(N)	21
WC2260O36O24L	11	WL6420FDRHL(N)	29	WP2842FFL(N)	21
WC2260O42O18L	11	WL6420FHLHL(N)	28	WP2842OBL(N)	20
WC2272B36B36L(N)	15	WL6420FHRHL(N)	28	WP2842OFL(N)	20
WC2272B36O36L(N)	13	WL6420OSL	27	WP2842OSLN	20
WC2272B42O30L(N)	13	WL6424DDLHL(N)	30	WPT3019	22
WC2272F36F36L(N)	15	WL6424DDRHL(N)	30	WPT3619	22
WC2272F42O30L(N)	12	WL6424FDLHL(N)	29	WPT4219	22
WC2272O30B42L(N)	13	WL6424FDRHL(N)	29	WPT4819	22
WC2272O30F42L(N)	12	WL6424FHLHL(N)	28	WPT5419	22
WC2272O30O42L	11	WL6424FHRHL(N)	28	WPT6019	22
WC2272O36B36L(N)	13	WL6424OSL	27	WPT6619	22
WC2272O36O36L	11	WL7120DDLHL(N)	30	WPT7219	22
WC2272O42O30L	11	WL7120DDRHL(N)	30	WPT7819	22
WC2284B30B30O24L(N)	14	WL7120FDLHL(N)	29	WPT8419	22
WC2284B30O24B30L(N)	14	WL7120FDRHL(N)	29		
WC2284B30O30O24L(N)	13	WL7120FHLHL(N)	28		
WC2284B42B42L(N)	15	WL7120FHRHL(N)	28		
WC2284F30O24F30L(N)	12	WL7120OSL	27		
WC2284F42F42L(N)	15	WL7120TDLHL(N)	30		
WC2284O24B30B30L(N)	14	WL7120TDRHL(N)	30		
WC2284O24O30B30L(N)	13	WL7124DDLHL(N)	30		
WC2284O24O30O30L	11	WL7124DDRHL(N)	30		
WC2284O30O24O30L	11	WL7124FDLHL(N)	29		
WC2284O30O30O24L	11	WL7124FDRHL(N)	29		
WCWKIT01	16	WL7124FHLHL(N)	28		
WCWKIT02	16, 23	WL7124FHRHL(N)	28		
WCWKIT03	23	WL7124OSL	27		
WCWKIT04	23	WL7124TDLHL(N)	30		
WCWKIT05	23	WL7124TDRHL(N)	30		
WL4220FDLHL(N)	29	WLCR	33		
WL4220FDRHL(N)	29	WLLB	33		
WL4220FHLHL(N)	28	WLSF1220L	32		
WL4220FHRHL(N)	28	WLSF1224L	32		
WL4220OSL	27	WLSH1224L	32		
WL4224FDLHL(N)	29	WLT1220L	31		
WL4224FDRHL(N)	29	WLT1224L	31		
WL4224FHLHL(N)	28	WLT2420L	31		

Selling Policy

	<p>This Selling Policy supercedes all previous selling policies. Prices, discounts and product offerings are subject to change without notice.</p>
Terms & Conditions of Sales	<p>Sales by Knoll, Inc. or Knoll North America Corp. ("Seller") of Knoll Product Lines (hereinafter "Products") within the United States and Canada are made only on the terms which are contained in this Selling Policy. Seller hereby gives notice of its objection to any different or additional terms and conditions. This sale is expressly conditional upon Purchaser's assent to the terms and conditions set forth below. Additional terms and conditions may apply to KnollStudio and KnollTextiles orders. These terms and conditions may be modified or supplemented only by a written document signed by an authorized representative of Seller. These terms and conditions supercede any prior and/or contemporaneous agreements or correspondence between Purchaser and Seller. Written quotations expire thirty (30) days from the date of issuance and can be withdrawn by written notice anytime during that period. Where Purchaser and Seller have entered into the Knoll Electronic Terms and Conditions, all orders, acknowledgements, invoices and other business communications placed or transmitted in accordance with the Knoll Electronic Terms and Conditions shall be deemed to be in writing and signed and shall be valid for all purposes as if they were originated and maintained in documentary form.</p>
Ordering Information	<p>All orders must be in writing. The product pattern number(s) contained on Seller's order acknowledgement shall be the final expression of the order.</p>
Order Confirmation	<p>A purchase order is not binding on Seller until Purchaser has received Seller's order confirmation or acknowledgment.</p>
Pricing Policies	<p>List prices are subject to change without notice.</p> <p>List prices shall be those prices in effect on the date of receipt of a complete purchase order unless shipment is requested more than ninety (90) days after order entry in which case prices in effect on the date of shipment apply. List prices include specified freight costs. Unless specified in writing by Seller, no other charges are included in Seller's list prices.</p>
Taxes	<p>All sales, use, excise and other taxes applicable to the sale of the Products shall be paid by Purchaser. If Purchaser claims an exemption from any tax, Purchaser shall submit to Seller the appropriate exemption certificates.</p>
Terms of Payment	<p>Payment for one hundred percent (100%) of the net order amount is due within thirty (30) days of the date of invoice, which is generally issued upon shipment. In case of any discrepancies, such as shortages, and Seller is notified in writing within ten (10) days of receipt of Product, only that portion may be deducted and the balance paid. For orders greater than \$100,000 net, a fifty percent (50%) deposit is due at the time of order placement, with the remainder due within thirty (30) days of the date of invoice.</p> <p>KnollStudio orders less than \$2,000 require payment for one hundred percent (100%) of the net order amount (including any applicable sales tax and charges for inside delivery, special packaging, etc.), due at time of order placement. For KnollStudio orders greater than \$2,000, a one-half (50%) deposit is due at time of order placement with the remainder (including any applicable sales tax and charges for inside delivery, special packaging, etc.) due prior to shipment.</p> <p>If, in the judgment of Seller, Purchaser's financial condition does not justify the terms of the payment, Seller may require full or partial payment in advance.</p> <p>Past due accounts shall be charged one and one-half percent (1.5%) per month, or the highest rate permitted by law, whichever is less, and will be added to the outstanding balance. In the event Purchaser defaults on payment, Purchaser shall be liable for all collection costs, including reasonable attorney's fees and costs.</p>
Changes and Cancellation	<p>Purchase orders may not be changed or cancelled, in whole or in part, without prior written consent of Seller. Changes may effect delivery dates. Expenses incurred because of changes shall be charged to Purchaser. In the event of cancellations, Purchaser will be liable for reasonable cancellation charges established by Seller. Orders for special Product, orders including "COM" (hereinafter defined) material and orders pursuant to expedited delivery programs, may not be canceled.</p>
Freight Prepaid	<p>Freight is prepaid and included in the price of all Products, except KnollTextiles, within the 48 contiguous United States for orders placed with Knoll, Inc. and within Canada, excluding the Yukon, Northwest Territories, Nunavut and Newfoundland for orders placed with Knoll North America Corp. Packing is tested for rigorous motion and transportation but is not guaranteed to protect furniture from all conditions. If special packaging is required for any reason, please consult with your sales representative or dealer. Seller shall select the method of shipment and routing. Freight for all KnollTextiles orders is prepaid and added to the invoice.</p>
Delivery/Freight Charges	<p>Shipments outside the contiguous 48 United States and Canada shall be shipped F.O.B. Origin.</p> <p>For shipments outside the contiguous United States and Canada, Purchaser is responsible for the cost of freight from point of embarkation, including any handling and transportation charges incidental to loading at the point of departure and unloading at the final destination.</p> <p>Conditions beyond the control of Seller, including weather, available facilities and traffic conditions, may affect exact time of delivery. Seller shall not be responsible for specific carrier delivery date or time unless it has made a specific delivery commitment, in writing.</p> <p>Nonstandard methods of shipment and/or additional services are available upon request. Purchaser will be billed for the differential cost of any special services in excess of standard surface carrier freight costs. Premium charges, at Purchaser's request, will be added for airfreight, exclusive use of vehicle and extra, export or special packaging. Accessorial charges will be added for inside delivery, extra labor, reassignment and redelivery.</p> <p>Partial shipments may be made and invoiced by Seller.</p>
Claims	<p>All shipments for Knoll Products within the contiguous United States and Canada are F.O.B. Origin. All risk of loss passes to Purchaser at time of delivery to carrier. Purchaser shall inspect all Products upon receipt and notify Seller within ten (10) working days after receipt of any damage or defects which are, or should be, apparent from an inspection of the Product and its packaging. Failure of Purchaser to notify Seller during the ten (10) working day period shall constitute acceptance of the Products and waiver of any apparent defects, errors or shortages. For all claims relating to Product damaged in transit or for any other claims relating to or arising out of the transportation of the Product, Purchaser must seek recovery from the carrier and Seller has no liability to Purchaser for such claims. Seller may, upon request, assist Purchaser with filing of such claims with the carrier, but Seller will not be liable for any of these transportation related claims.</p>
Seller's Security Interest	<p>Until Seller receives the full payment for the Product, Seller shall have a security interest in the Product. Purchaser agrees to perform all acts, including but not limited to the execution and filing of documentation, which may be necessary to perfect and assure the security interest of Seller.</p>
Returns	<p>The return of Products without a written authorization by Seller shall not be accepted. To receive authorization for Product return, please call Customer Service. All Products that are returned pursuant to a valid authorization shall be subject to a twenty-five percent (25%) of list restocking charge. Products not currently offered for sale by Seller (including COM) shall not be authorized for return. All returned Products must be unused, in original condition and in the original Seller packing cartons. No refund or credit shall be given for damaged Products.</p>
Held Orders/Storage	<p>If Purchaser requests that an order be held or delayed, prices and terms and conditions in effect at the time of shipment shall apply. If Purchaser requests a delay after the time when Seller can defer production, Purchaser will be invoiced for the Product, payable in accordance with standard terms, when the order is ready for shipment. Seller may transfer the Product to storage, in which case all expenses incurred in connection with storage, including demurrage, preparation for storage, storage charges and handling shall be payable by Purchaser upon submission of invoices by Seller. Risk of loss to the Product shall pass to the Purchaser upon delivery of the Product into storage.</p>

Selling Policy

Customer's Own Material	<p>A Purchaser who requests a fabric or other surface material not standard to Seller's line of Products ("COM") must submit samples of the requested material to Seller prior to entry of a purchaser order. Seller shall determine if the material is suitable to its manufacturing processes and meets any requirements of Underwriters Laboratories. If the COM is acceptable, Seller will then establish a price for using the COM or the Product in question. For a description of the procedures for submitting samples and testing, contact customer resources or your sales representative. Seller shall have no responsibility for the appearance, condition, performance, durability, colorfastness or any other physical attribute of the COM. Purchaser shall indemnify and hold Seller harmless for any damages, injuries or losses arising out of or related to use of the COM on the Product.</p>
Warranty	<p>Seller warrants to the original Purchaser only that the Products Seller manufactures and sells to Purchaser are free of defects in workmanship and materials, during the applicable warranty period set forth below.</p> <p>Warranty period set forth below is for 24-hour, 7 days a week, multi shift use (includes parts and labor to repair).</p> <p>Should any failure to conform with this limited warranty appear to a Product listed below during the applicable warranty period from the date of shipment, Seller shall, upon prompt written notice, repair or replace, at its option and costs, the affected part or parts.</p> <p><i>Product and Period of Warranty</i></p> <p><i>Lifetime: Antenna Workspaces, AutoStrada, Calibre, Crinion Open Table, Currents, Dividends Horizon, Equity, Morrison, Reff Profiles laminate, Series 2 Storage, Template and other non-wood components (except cascade edge worksurfaces, operational parts, controls, electrical, Lighting, Series 2 Veneer Front Storage, special or custom products, see below)</i></p> <p><i>12 Years: Chadwick, Essentials Work Chairs, Generation by Knoll, Life, Moment, MultiGeneration by Knoll, ReGeneration by Knoll, RPM, Sapper and Toboggan seating (except seating upholstery, textiles, leathers and finishes, see below).</i></p> <p><i>10 Years: Anchor Storage, Antenna Workspaces, AutoStrada, Crinion Open Table, Dividends Horizon, Reff Profiles, Template wood components, Series 2 Veneer Front Storage, cascade edge worksurfaces, Wood Casegoods (The Graham Collection) (except wood casegoods upholstered surfaces, see below), Interaction tables (except height adjustment mechanisms for Counterforce, crank-adjustable, and split-top tables and worksurfaces, see below), Reuter overheads, Reuter vertical storage, KnollExtra Sapper Monitor Arm Collection, Adjustable keyboard mechanisms and platforms, Communication Boards (except fabric board textiles, see below), Smokador collection (except leathers, see below), and Orchestra Universal Systems Accessories.</i></p> <p><i>5 Years: Operational parts, controls, electrical, Lighting (except light ballasts, bulbs and power supply, see below), special or custom product, wood veneer products, Currents handcrank, Interaction Counterforce, Interaction crank-adjustable, and split-top mechanisms, KnollStudio, Spark Series seating structural elements, Richard Schultz outdoor products, KnollExtra CPU storage and all universal storage drawers and Power Collection.</i></p> <p><i>3 Years: Seating upholstery, textiles, leathers and finishes. Fabric boards textiles and Smokador Collection leathers.</i></p> <p><i>2 Years: All other KnollExtra product</i></p> <p><i>1 Year: Light ballasts, bulbs and power supply, seating upholstered armpads and soft armpads, wood casegoods upholstered surfaces. KnollStudio Maya Lin and Spark Series seating finishes.</i></p> <p>This warranty does not apply to:</p> <ul style="list-style-type: none">• Damage caused by a carrier other than the Seller.• Normal wear and tear or acts or omissions of parties other than Seller (including user modification, improper use or installation of Products).• COM or other third party materials applied to Products.• Products not installed by or under the auspices of a Knoll Dealer.• Dramatic temperature variations or exposure to unusual conditions.• Changes in surface finishes, including colorfastness due to aging or exposure to light.• Except as specifically noted above, textiles and upholstery supplied by <i>KnollTextiles</i> (consult current <i>KnollTextiles</i> price list for applicable warranty). <p>Natural variations occurring in wood, marble, and leather shall not be considered defects, and the Seller does not guarantee the colorfastness or matching of the colors, grains or textures, or surface hardness of such materials. The Seller also does not guarantee the colorfastness of fiberglass panel surfaces. THE EXPRESS WARRANTIES CONTAINED HEREIN ARE IN LIEU OF ALL OTHER WARRANTIES, EXPRESS OR IMPLIED, INCLUDING ANY WARRANTIES OF MERCHANTABILITY AND FITNESS FOR PARTICULAR PURPOSE AND ALL OTHER WARRANTIES ARISING FROM COURSE OF DEALING OR USAGE OF TRADE.</p> <p>The remedies provided above are the Purchaser's sole remedies for any failure of Seller to comply with its obligations regarding the workmanship of its Products. Correction of any nonconformity in the manner and for the period of time provided shall constitute complete fulfillment of all liabilities of Seller, with respect to or arising out of the Product furnished hereunder.</p>
Delay/Force Majeure	<p>Seller shall not be liable for failure to perform or for delay in performance due to fire, flood, strike or other labor difficulty, act of God, act of any governmental authority or of the Purchaser, riot, embargo, fuel or energy shortage, wrecks or delay in transportation, inability to obtain necessary labor, materials or manufacturing facilities from usual sources or failure of suppliers to meet their contractual obligations, or due to any cause beyond its reasonable control. If any such event occurs, Seller may extend delivery dates by a period of time necessary to overcome the effect of such delay, allocate available Product or cancel any purchase order.</p>
Compliance with Law	<p>PURCHASER IS SOLELY RESPONSIBLE FOR COMPLIANCE WITH ALL APPLICABLE FEDERAL, STATE AND LOCAL LAWS, ORDINANCES, REGULATIONS, RULES AND STANDARDS RELATING TO THE INSTALLATION, MAINTENANCE, USE AND OPERATION OF THE PRODUCTS.</p>
Patents	<p>Subject to the following provisions, Seller shall, at its own expense, defend or, at its option, settle any claim, suit or proceeding brought against the Purchaser, and/or its vendees, mediate and immediate, so far as based on an allegation that any Product or any part thereof furnished hereunder constitutes a direct or a contributory infringement of any claim of any patent of the United States or Canada. This obligation shall be effective only if Purchaser shall have made all payments then due hereunder and if Seller is notified promptly in writing and given authority, information and assistance for the defense of said claim, suit or proceeding. Seller shall pay all damages and costs awarded in such suit or proceedings so defended.</p> <p>The foregoing indemnity does not apply to the following:</p> <ul style="list-style-type: none">• Products supplied according to a design other than that of Seller, and which is required by the Purchaser.• Combination of the Product with another product not furnished hereunder unless Seller is a contributory infringer.• Any settlements of a suit or proceeding made without Seller's written consent.
Limitations of Liability	<p>SELLER, ITS CONTRACTORS, AUTHORIZED DEALERS AND SUBCONTRACTORS OR SUPPLIERS OF ANY TIER SHALL NOT BE LIABLE TO PURCHASER FOR ANY SPECIAL, INDIRECT, INCIDENTAL OR CONSEQUENTIAL DAMAGES ARISING FROM A BREACH OF THIS AGREEMENT.</p> <p>Purchaser's remedies set forth herein are exclusive and the liability of Seller with respect to the breach of this agreement or any contract entered into between the parties pursuant hereto shall not exceed the price of the Product or part on which such liability is based.</p>

KnollKey Lock Program

KnollKey Lock Program General Information

Following is the KnollKey lock policy, applicable to all products.

Knoll furniture can be ordered keyed-alike or random keyed. Key-alike and random keying instructions cannot be mixed on any single order. Only one of the two instructions can be used on an individual order. When an order is submitted with mixed (key-alike and random) instructions, Knoll will release the order as key-alike only and lock cores will have to be specified separately.

Key-alike

For the convenience of the user, furniture may be keyed alike at no charge. Write "Key-alike" in the description of your purchase order for any pedestal, overhead, file or other item you wish to have keyed alike.

Using the key-alike instructions, order cores and keys as line items on your purchase order. Do NOT submit a key-alike form. The Knoll East Greenville Lock Center will select key numbers from the standard range of K 001 - K 250. Key numbers will not be repeated unless over 250 sets are ordered. Lock cores keyed-alike will ship separately from the product, ready for field installation.

There is no charge for key-alike orders if placed with the furniture order.

IF THE KEY-ALIKE ORDER IS NOT PLACED AT LEAST TWO WEEKS PRIOR TO THE FURNITURE SHIP DATE, A \$50 HANDLING CHARGE AND AIR FREIGHT CHARGES WILL APPLY.

If product is ordered and shipped random-keyed, additional lock cores for key-alike are billable.

Random-Keying

To specify product keyed-random, write "key-random" in the product description. Random-keyed product is shipped with the lock core factory installed. A shrouded key is included. Random means no effort has been made to match key numbers, or to make them different.

Keys

A Knoll shrouded key is shipped with every lock core. 250 Key numbers are available. For numbers above 250, contact Custom Product Development. Additional keys and key blanks are available. See service parts for more information.

Master Keying

Knoll locks can be controlled by means of a master key. There is no additional per-lock charge for master keying. A letter of approval from the client must accompany orders for master keys.

Installing Lock Cores

Lock cores can be installed or removed in the field by using a change key. Cores must be in the unlocked position to be removed. See service parts for change key pattern number and pricing.

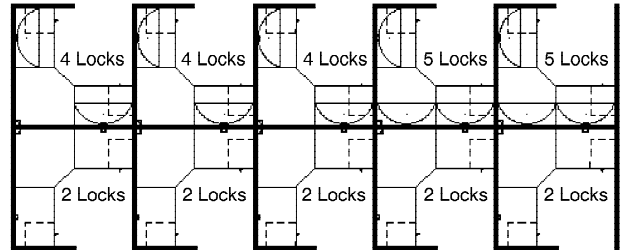
Lock Distribution

All orders for key-alike lock cores/keys are packaged and shipped from the East Greenville Lock Center, regardless of where the pedestals, overhead, or other units are produced. Random keyed product will have cores factory-installed.

How to Specify Key-Alike

Following is an example of how to specify key-alike for a cluster of 10 workstations.

Step 1 - Using the project floorplan, count the number of locks in each workstation.



Step 2 - Count the number of workstations with the same quantity of locks. Group together the workstations with a like number of locks.

5 workstations with 2 locks per station
3 workstations with 4 locks per station
2 workstations with 5 locks per station

Step 3 - For the first group (5 sets of 2 locks), enter the number of workstations in the quantity column.

Qty	Pattern #	Description	Unit List	Ext. List
5				

Step 4 - Then enter the pattern number "KSPEC_ _" and add a suffix for the number of locks for that group (i.e., for 2 locks per station, add the suffix "2"). Up to 30 lock cores are available in a set (i.e., KSPEC 30).

Qty	Pattern #	Description	Unit List	Ext. List
5	KSPEC 2	Set of 2 cores/keys	N / C	N / C

Step 5 - Repeat for other groups.

Qty	Pattern #	Description	Unit List	Ext. List
5	KSPEC 2	Set of 2 cores/keys	N / C	N / C
3	KSPEC 4	Set of 4 cores/keys	N / C	N / C
2	KSPEC 5	Set of 5 cores/keys	N / C	N / C

Your Key instructions are complete.

Knoll will select key numbers for each set from 250 available numbers. Additional key numbers are available through Custom Product Development. **For additions to existing installations, specify desired key numbers in the description.**

Service Parts

Pattern #	Description	List Price
KKEY_ _ _	Shrouded Key Specify key number desired	\$10
KBLANK	Shrouded Key Blank	\$10
KSPECB_ _ _	Retrofit Universal Core/Key Specify key number desired	\$22
KCHANGE	Change Key	\$10
HLKRKMASTER*	Master Key	\$10

*Note: A letter of approval on company letterhead from the client must accompany all orders for master keys.

General Ordering Information

The Products

This guide encompasses all standard products for this product group.

Sizes

Dimensions listed in this guide are indicated as:

H = height

W = width

D = depth

Dia. = diameter

Rad. = radius

Pricing

All prices shown are list.

How to Order

Select pattern numbers and quantities required for your complete installation. Product questions can be addressed in the specific sections of this guide or by contacting your sales representative or customer resource representative at 1-800-343-5665.

Next, select options (if required), along with colors and finishes appropriate to each product. Reference the Finishes and Fabrics pages for color designations.

On large installations, an item's "designated area" can be specified to assist in product organization and handling.

To expedite complete / correct entry of your order, be certain all pattern numbers, quantities, colors and area identifications are completely specified. Also, include complete purchase order numbers, bill-to and ship-to addresses, a contact name and specific factory shipping dates required.

Mail all orders to:

Knoll, Inc.

1235 Water Street

P.O. Box 157

East Greenville, PA 18041

Attention: Order Entry

Once your order is entered at Knoll, an acknowledgment will be mailed to you. You will be advised of your scheduled shipping date within five days of the original acknowledgment. If it is necessary to revise your order, please contact your customer resource representative.

Sustainability Statement

Sustainable design is a key component of Knoll's environmental focus. Our commitment to social responsibility and a healthy environment has prompted us to further articulate our longstanding environmental programs and, with encouragement and support from our colleagues in the industry, we have re-energized our focus on such "green" initiatives as life cycle analysis and LEED™ certification. Knoll is proud to have contributed to projects that have received LEED certification from the U.S. Green Building Council.

For the latest information on Knoll products that help our customers achieve LEED certification, log on to knoll.com, click on "About Knoll" and then "Environmental Focus."