

Antenna Workspaces

Price List
February 2015



Knoll

Introduction	Knoll and Sustainable Design	4	
	Antenna Workspaces and Sustainable Design	5	
	Using the Antenna Workspaces Price List	6	
	Material and Finish Options	7	
	Material and Finish Matrix	8	
	KnollTextiles Approved for Screens and Fabric Inserts	13	
	KnollTextiles and Spinneybeck for Pedestal Cushions	14	
	Grain Direction Planning Guidelines	15	
	Wall Mounting Guidelines for Cabinets	17	
	Antenna Workspaces Concept	19	
	Introduction of Basic Elements	20	
Preconfigured Desks and Tables	Fundamental Planning Overview	28	
	Antenna Leg Base Tables	29	
	Y-base tables	33	
Tops	Media Enclave	36	
	Scope Overview of Antenna Tops	38	
	Planning Guidelines for Antenna Tops	40	
	Antenna Tops For Desks or Big Tables	42	
	Antenna Hinged Access Tops for Big Tables	45	
	Antenna Centered Hinged Access Tops for Big Tables	47	
	Antenna Back Tops for Single Sided Big Tables	49	
	Antenna Extension Tops for Desks and Big Tables	50	
	Antenna Tops for 120° Planning	51	
	Antenna Tops For C-Leg and T-Leg Tables	54	
	Antenna Tops and Worksurface Shelves for Template	56	
	Scope Overview of Overlay Tops	60	
	Planning Guidelines for Overlay Tops	61	
	Overlay Tops for Desks	62	
	Overlay Benching Tops for Desks and Big Tables	65	
	Overlay Hinged Access Tops for Big Tables	67	
	Overlay Extension Tops for Desks and Big Tables	69	
	Desk and Table Support	Planning Guidelines for Desks and Tables	70
		Planning Guidelines for Dual Sided Big Tables	71
		Planning Guidelines for Single Sided Big Tables	72
Stability Guidelines for Desks, Tables and Big Tables		74	
Starter and Extended Rails		77	
Return and Bridge Rails		81	
Desk Connectors		84	
Desk Support Adapters		86	
Components for Reconfigurations		90	
Center Beam for Big Tables		91	
Sapper Monitor Arm for Antenna Center beam		93	
Keyboard Tray and CPU Holder Mounts		94	
Scope Overview of Legs		96	
Legs for Desks or Returns		99	
Legs for Table Desks		103	
Legs for Back to Back Desks		105	
Legs for Dual Sided Big Tables		107	
Legs for Standing Height Dual Sided Big Tables		112	
Legs for Single Sided Big Tables		120	
Legs for C-Leg and T-Leg Tables		126	
Modesty Panels for Desks or Returns	129		
Back Panels for Single Sided Big Tables	132		
End Panels	134		
Enclave End Panels	143		
Sales and Installation Tools	145		

Power and Communications	Planning Guidelines for Electrical Components	147
	Electrical Components for Desks and Big Tables	151
	Surface Mounted Plugmold Raceway	155
	Desktop Outlet Center	157
	Cable Management	159
Fence Components	Planning Guidelines for Fence	164
	Fence Structure	166
	Fence Connectors and Trim	168
	Electrical Components for Fence	171
	Upper Covers	175
	Lower Covers	180
Screens	Full Covers	184
	Desk Screens	188
	Big Table Screens	193
	Intermediate Screens	196
	End Screens for Dual Big Table	199
	Fence Screens	202
	S Screens	205
Storage Components	Floorstanding Desk Screens	207
	Storage Planning Guidelines and Specifications	209
	Scope Overview of Pedestals	210
	Pedestals	211
	Scope Overview of Suspended Storage	221
	Laptop Drawer	223
	Suspended Storage	225
	Extension Cabinets	231
	Scope Overview of Stanchion Mounted Storage	239
	Stanchion Mounted Wood Storage	241
	Stanchion Mounted Metal Storage	247
	Stanchion Mounted Platform	251
	Stanchion Supports	253
	Cantilever Shelves	255
	Scope Overview of Floorstanding Cabinets	257
	Floorstanding Personal Desk-End Cabinets	259
	Floorstanding Shared Desk-End Cabinets	262
	Floorstanding Desk-End Cabinet Accessories	264
	Floorstanding L and Wardrobe Cabinets	265
	Floorstanding File Cabinets	267
	Floorstanding Enclosed Shelf Cabinets	270
	Floorstanding Partially Enclosed Shelf Cabinets	272
	Floorstanding Open Shelf Cabinets	274
Scope Overview of Wall Mounted Cabinets	276	
Wall Mounted Wood Cabinets	277	
Wall Mounted Metal Cabinets	279	
LED Task Lights	281	
Interpole Components	Planning Guidelines for Interpole	283
	Scope Overview of Interpole Poles and Covers	286
	Interpole Poles and Covers	287
	Interpole Power Components	291
	Interpole Accessories	295
	Scope Overview of Interpole Screens	298
	Interpole Screens	299
	Scope Overview of Interpole Mounted Storage	302
	Interpole Horizontal Wood Storage	304
	Interpole Vertical Wood Storage	313
Antenna Simple Tables	Antenna Simple Tables	320

Antenna Telescope	Antenna Telescope Tops for Adjustable Dual Tables	329
	Antenna Telescope Return Tops for Dual Tables	330
	Antenna Telescope Dual Table Bases	331
	Antenna Telescope Return Bases	337
	Desk Screens for Telescope Dual Tables	339
	Telescope Power and Cable Management	341
	Telescope Accessories	346
Selling Policy		356
KnollKey Lock Program		358
General Ordering Information		359

Knoll and Sustainable Design

Each year Knoll sets key initiatives in our journey to sustainability. We are members of a global consortium on energy, have adopted a scientific, metrics-based approach to sustainable product design, and maintain a leadership position in establishing universal, verifiable, sustainability standards for our industry.

Knoll promotes independent third-party certification because it provides the most impartial and trustworthy foundation for industry-wide environmental compliance. Certification by established and respected third parties ensures that all manufacturers are held to the same high standards and that customers can trust a company's declaration about the environmental benefits of its products. Knoll third-party partners include: the International Standards Organization (ISO); Forest Stewardship Council (FSC®); Rainforest Alliance; GREENGUARD® Environmental Institute; and The Business and Institutional Furniture Manufacturer's Association (BIFMA) level® certification from Scientific Certification Systems (SCS).

In addition, Knoll is aligned with the U.S. Green Building Council and can help companies, healthcare organizations and educational institutions achieve Leadership in Energy and Environmental Design (LEED®) workplace certification.

Global Climate Change

- Knoll is a sponsor of the Clinton Global Initiative, which brings together a community of global leaders to devise and implement solutions to some of the world's most pressing challenges, including environmental change.
- Knoll has a comprehensive Energy Management Program to increase energy efficiency in products and processes.

Life Cycle Assessment (LCA) Tool

- Life Cycle Assessment is a science-based measurement of a product's environmental impacts throughout its life cycle, from raw materials sourcing through manufacture, shipping, use and re-use or end-of-life. LCA enables cradle-to-cradle implementation of sustainable practices.
- Knoll has partnered with The Green Standard.org to develop an affordable, universal ISO-compliant computer-based LCA tool that can be used by the entire contract furniture industry and is partnering on the development of an Environmental Product Declaration System (EPDs) for Knoll products. EPDs are verified documents containing LCA results and additional environmental performance information about a product.

Setting Industry Standards

- Knoll partners with MTS (The Institute for Market Transformation to Sustainability) to develop the SMaRT® Consensus Sustainable Products Standards, a set of consensus-based sustainable product standards based on the LEED® model, for all building products, fabric, apparel, flooring and carpet. MTS, the developer of SMaRT®, is an accredited American National Standards Institute (ANSI) standard developer.
- Knoll also partners with BIFMA (Business and Institutional Furniture Manufacturers Association) to promote level® sustainability standards for the contract furniture industry.
- Knoll has established FSC® (Forest Stewardship Council) certified wood as the standard for general office open plan office systems, casegoods and tables.
- Knoll has launched Full Circle, a resource recovery program developed with ANEW, to help customers extend the life cycle of surplus furniture, fixtures and equipment (FF&E) in an economically, socially and environmentally responsible manner.
- Our goal is to encourage all manufacturers in the contract furniture industry and related industries to adopt standards that will lead to sustainable products and practices.

For more information about Knoll and sustainable design, visit knoll.com/environment.

Antenna Workspaces is a new approach to workplace design that reflects the freedom and mobility people seek in today's office. Antenna Workspaces considers the growing variety of settings where work takes place and blends desks, tables, storage units and screens to create intuitive solutions for individuals and groups. A natural extension of the Knoll commitment to protect the biosphere, conserve natural resources and reduce waste, Antenna Workspaces is environmentally responsible in manufacturing process and materials.

Antenna is Level 3 certified by ANSI/BIFMA, and is GREENGUARD Children and Schools Indoor Air Quality Certified. GREENGUARD certification is recognized by the U.S. Green Building Council's LEED Program. Antenna Workspace can contribute to LEED certification for Existing Buildings, Commercial Interiors and New Construction.

Visit GREENGUARD.org for more information and to find printable certificates for Antenna Workspaces that can be used for verification and LEED submission. Material content for a complete, average Antenna Workspaces workstation is 13.13% post-consumer recycled content, and 47.7% post-industrial recycled content.

Antenna Workspaces environmentally responsible manufacturing processes and materials include:

PVC-free

Laminate top edge band material is PVC-free ABS. Acrylonitrile Butadiene Styrene (ABS) is a polymer used as an alternative to PVC and rubber. It is phthalate-free, flame retardant, has high heat and impact resistance, good processability, dimensional stability and high gloss.

Fiberglass-Free

Fabric screens utilize PET tackable material with 25% pre-consumer recycled content.

FSC-Certified

Wood components are standard FSC certified with North American hardwood veneers.

Recovered Particleboard

Antenna tops and fabric screens have FSC certified, 100% recovered particleboard cores.

VOC-Free Finishes

Water-based wood stains and UVcured polyurethane wood top coats are virtually VOC-free.

VOC-Free Adhesives

Water-based adhesives used to adhere laminate and veneer to substrate are 99% VOC-free.

Recycled Steel

Legs and rails have 30-45% recycled steel content.

Recycled Aluminum

Cradles that connect legs and rails have 44% recycled content cast aluminum.

Recycled Fabric

Screens are available with 100% recycled content fabric.



An Overview

The introduction section of the Price List includes a visual index of product components, an explanation of material, finish and fabric options, grain direction planning guidelines and an introduction to the basic elements and planning guidelines for Antenna Workspaces.

The product portion of the Price List starts with a section of preconfigured desks and tables, orderable by a single pattern number, and continues with an outline of the Antenna Workspaces scope by individual product categories. Products include tops, desk and table support, power and communications, fence components, screens and storage components.

Can't find it? Consult the Table of Contents on page 2 or the Alphanumeric Index at the end of the Price List.

The Knoll selling policy, warranty, KnollKey lock program and general ordering information are also located in the back of the Price List.

Product Information on Each Page

The Antenna Workspaces Price List was designed to provide you with everything you need to know in order to understand, plan and specify Antenna Workspaces. On each page, the following features will assist you:

The **description** explains salient features, capabilities, materials and size.

The **type** gives helpful planning information either in regard to product applications or quantities of products.

The **dimensions** provide nominal width, depth and height of the product.

The **pattern number** is the specific code required to order the size and material desired.

The **ordering information** outlines exactly how to specify Antenna Workspaces product and the full scope of finish options.

The **order code** provides an example of how one pattern number is specified.

The **included with** section identifies all other items that will be included with the product.

The **options section** lists all finish, material and feature options available on the product.

Use the Following Addresses

If you would like to send a standard lead time order to our order entry department, please use the following address:

For North American orders:

Knoll, Inc.
1235 Water Street
East Greenville, PA 18041
Attn: Order Entry
Tel: 800 343-KNOLL

All accepted orders will be confirmed in writing on the Knoll standard order confirmation form.

Ship-Complete Orders

Orders that must ship complete are to be so stated on the purchase order. Products with different lead times, combined on one order, can be acknowledged for shipment based on the longest of those lead times.

Orders not marked "ship complete" will be released according to the confirmation and invoiced in increments.

For More Information

For more information, contact your Knoll sales representative, a Knoll dealer, or telephone Customer Service at **1-800-343-KNOLL**.

For specific product applications for each finish refer to the finish matrix on the following pages.

KNOLL CORE LAMINATES

Solid Colors

111	Jet Black*
114	Folkstone Grey* (S)
115	Medium Grey*
117	Soft Grey*
118	Bright White* (S)
119	Pumice*
128	Fog*

(S) S Screen finish option

Patterned

121	Micro Grey
122	Brushed Sand
123	Brushed Grey
129	Micro Sand

Brushed Sand (122) and Brushed Grey (123) are not available on laminate screens 60" and wider and on modesty or end panels of any size.

Wood Grain

124	Medium Cherry*
125	Natural Maple*
126	Natural Cherry*
127	Walnut*
139	Light Ash*
140	Warm Ash*
141	Whitened Ash*
142	Grey Ash*
143	Classic Oak*
144	Graphite Pear*
145	Zebra*

*Matching edgeband available

ACCENT LAMINATE

130	Dark Red
131	Slate Blue
132	Olive Green
133	Canary Yellow
134	Knoll Red

COLOR CORE LAMINATES

311	Solid Gallery White
312	Solid Folkstone

MARKERBOARD LAMINATE

M	Markerboard
---	-------------

GLASS SCREENS

TEMP	Clear
GL13	Powder
GL35	Grey Tinted

GLASS TOPS

TEMP	Clear
GL13	Powder
GL85	Starfire Clear
GL35	Grey Tinted
GL11	Back Painted Black
GL45	Back Painted White

PLATED FINISH

PD	Chrome
----	--------

ANODIZED FINISH

AA	Anodized Aluminum
----	-------------------

KNOLL CORE PAINTS

111T	Jet Black
112T	Brown
113T	Dark Grey
114T	Folkstone Grey
115T	Medium Grey
116T	Sandstone
117T	Soft Grey
118T	Bright White
611T	Beige Mist Metallic
612T	Medium Metallic Grey
613	Silver

ACCENT PAINTS

130	Dark Red
131	Slate Blue

COMBINATION LAMINATE

Laminate storage cabinets may be specified with different laminate finishes on the exterior and interior of the case.

Exterior Laminates

111	Jet Black
114	Folkstone Grey
115	Medium Grey
117	Soft Grey
118	Bright White
119	Pumice
128	Fog

Interior Laminates

111	Jet Black
114	Folkstone Grey
115	Medium Grey
117	Soft Grey
118	Bright White
119	Pumice
128	Fog
130	Dark Red
131	Slate Blue
132	Olive Green
133	Canary Yellow
134	Knoll Red

KNOLL CORE VENEERS

V1 Techwoods

Y316	Maple Techwood
Y319	Cherry Techwood
Y323	Medium Walnut Techwood
Y326	Dark Mahogany Techwood
Y329	Medium Oak Techwood
Y341	Wenge Techwood
Y342	Medium Teak Techwood
Y344	Espresso Techwood
Y811	Natural Techwood
Y821	Blond Maple Techwood
Y831	Light Cherry Techwood
Y851	Black Oak Techwood
Y881	Light Walnut Techwood
Y882	Dove Grey Techwood

V2 Techwoods

Y841	Ebony Techwood
Y861	Grigio Techwood

V2 Natural Veneers

V440	Natural Hemlock
V312	Bronze Cherry
V316	Maple
V319	Medium Cherry
V411	Light Walnut
V412	Natural Cherry
V413	Sand Oak
V414	Natural Oak
V415	Peacock Green Walnut
V417	Old English Walnut
V421	Chalk Oak
V423	Light Oak
V433	Light Fawn Cherry
V436	Medium Brown Cherry
V439	Straight Anigre

V3 Natural Veneers

V512	Figured Anigre
V513	Graphite Oak
V514	Makore
V515	Figured Sycamore
V517	Sapele
V518	Natural Chestnut

Overlay tops specified with a veneer top and/or edge are available in any V1, V2 or V3 finish except for the following three veneers:

- Wenge (Y341)
- Medium Teak (Y342)
- Dark Grey Oak (Y343) *Legacy*

Product Description	No Finish Option	Antenna Approved Fabrics	Knoll Core Solid Color Laminates	Knoll Core Patterned Laminates	Knoll Core Wood Grain Laminates	Accent Laminates	Color Core Laminates	Markerboard Laminate	Glass	Plated Finish	Knoll Core Paints	Accent Paints	Knoll Core Veneers
Preconfigured Desks and Big Tables													
Antenna Leg Base Tables													
	Top Finish		*	*	*				*				*
	Edge Finish (Laminate Only)		*		*								*
	Leg/Cradle Finish									*	*	*	
Y-base Tables													
	Top Finish		*	*	*								*
	Edge Finish (Laminate Only)		*		*								*
	Base Finish										*	*	
	Grommet Finish										*	*	
Tops													
Antenna Tops													
	Top Finish		*	*	*								*
	Edge Finish (Laminate Only)		*		*								*
Overlay Tops													
	Top Finish						*						*
	Edge Finish (Laminate Only)												*
Desk and Table Support													
Rails													
											*	*	
Desk Connectors													
											*	*	
Desk Support Adapters													
											*	*	
Components for Reconfigurations													
											*	*	
Center Beam for Big Tables													
											*	*	
KnollExtra Sapper Mounts for Desks and Big Tables													
											*	*	
KnollExtra Keyboard Tray and CPU Holder Mounts													
	*												
End Legs and Intermediate Legs													
											*	*	
Standing Height Intermediate Leg Brace <i>(chrome only)</i>													
									*				
Table Desk End Legs													
	Leg Finish									*	*	*	
	Cradle Finish										*	*	
Modesty, Back Panels and End Panels													
	Surface Finish		*	*							*		*
	Bracket Finish										*		
Power and Communications													
Electrical Components													
	*												
Power Harness Mounting Brackets													
											*	*	
Raceway Covers													
											*	*	
Raceway End Caps													
											*	*	
Desktop Outlet Center													
	*												
Desk Mount Outlet Center Shroud													
											*	*	

Product Description	No Finish Option	Antenna Approved Fabrics	Knoll Core Solid Color Laminates	Knoll Core Patterned Laminates	Knoll Core Wood Grain Laminates	Accent Laminates	Color Core Laminates	Markerboard Laminate	Glass	Plated Finish	Knoll Core Paints	Accent Paints	Knoll Core Veneers
Communications Outlet Mounts											*	*	
Cable Baskets and Mount Kits	*												
Vertical Wire Manager											*		
Cable Clips	*												
Fence Components													
Frames	*												
Individual Legs											*		
Stabilizer Foot											*		
Crown Top Caps											*		
Flat Ends											*		
Connectors											*		
Electrical Components	*										*		
Upper Outlet Covers											*		
Upper Cable Tray Covers											*		
Upper Slatwall Covers											*		
Upper/Lower/Full Painted Covers											*		
Upper/Lower/Full Laminate Covers			*	*									
Upper/Lower/Full Veneer Covers													*
Screens													
Desk Screens													
	Surface Finish	*	*	*				*					*
	Frame Finish Finish (Fabric Only)										*		
	Bracket Paint Finish										*		
Center Screens													
	Surface Finish	*	*	*				*	*				*
	Frame Finish Finish (Fabric Only)										*		
	Bracket Paint Finish										*	*	
Intermediate Screens													
	Surface Finish	*	*	*				*	*				*
	Frame Finish Finish (Fabric Only)										*		
	Bracket Paint Finish										*	*	
End Screens for Big Table													
	Surface Finish		*	*				*					
	Bracket Finish										*	*	
Enclave End Panel													
	Surface Finish		*	*				*					
Fence Screens													
	Surface Finish	*	*	*				*	*				*
	Frame Finish Finish (Fabric Only)										*		
	Bracket Paint Finish										*		

Product Description	No Finish Option	Antenna Approved Fabrics	Knoll Core Solid Color Laminates	Knoll Core Patterned Laminates	Knoll Core Wood Grain Laminates	Accent Laminates	Color Core Laminates	Markerboard Laminate	Glass	Plated Finish	Knoll Core Paints	Accent Paints	Knoll Core Veneers
S Screens (See Material & Finish Options Page for Exceptions)													
	Surface Finish		*										
	Bracket Paint Finish										*		
Floorstanding L Screens													
	Vertical Surface Finish		*	*									*
	Bracket Paint Finish										*		
Storage Components													
Edge Pull										*	*	*	
Insert Pull										*			
Loop Pull											*	*	
Metal Pedestals													
	Drawer Front Finish		*	*	*						*		*
	Case Finish										*		
	Pull Finish									*	*	*	
Seat Cushion		*											
Pencil Tray	*												
Laptop Drawer											*		
Drawer Pad	*												
Cable Net	*												
Suspended Wood File													
	Case Finish Exterior		*										*
	Case Finish Interior		*			*							*
	Door Finish		*										*
	Pull Finish									*	*	*	
	Bracket Paint Finish										*	*	
Suspended Open Cabinets													
	Case Finish Exterior		*										*
	Case Finish Interior		*			*							*
	Bracket Paint Finish										*	*	
Extension Cabinets													
	Case Finish Exterior		*										*
	Case Finish Interior		*			*							*
Fabric Inserts for Extension Cabinets		*											
Mounting Brackets for Extension Cabinets											*	*	

Product Description	No Finish Option	Antenna Approved Fabrics	Knoll Core Solid Color Laminates	Knoll Core Patterned Laminates	Knoll Core Wood Grain Laminates	Accent Laminates	Color Core Laminates	Markerboard Laminate	Glass	Plated Finish	Knoll Core Paints	Accent Paints	Knoll Core Veneers
Stanchion Mounted Open/Enclosed Wood Cabinets													
Case Finish Exterior			*										*
Case Finish Interior			*			*							*
Stanchion Mounted Cabinet Door Sets													
Door Finish			*										*
Pull Finish										*	*	*	
Stanchion Mounted Open Metal Cabinets													
Stanchion Mounted Shared Metal Cabinets													
Case Finish											*		
Door Finish											*		
Pull Finish											*	*	
Platforms													
			*										*
Stanchions													
											*	*	
Cantilever Shelf													
Shelf Finish			*	*									*
Bracket Paint Finish											*	*	
Desk-End Open Cabinets													
Case/Shelves Finish			*										*
Bracket Paint Finish											*		
Desk-End Enclosed Cabinets													
Case/Door Finish			*										*
Pull Finish										*	*	*	
Bracket Paint Finish											*		
Desk-End Cabinet Shelf Set													
			*										*
Floorstanding L Cabinets													
Case/Shelves/Door Finish			*										*
Pull Finish										*	*	*	
File, Enclosed & Partially Enclosed Cabinets													
Case/Shelves/Door Finish			*										*
Pull Finish										*	*	*	
Open Shelf Cabinets													
Case/Shelves Finish			*										*
Shelf Finish			*										*
Wall Mounted Wood Cabinets													
Case Exterior Finish			*										*
Case Interior Finish			*			*							*

Product Description		No Finish Option	Antenna Approved Fabrics	Knoll Core Solid Color Laminates	Knoll Core Patterned Laminates	Knoll Core Woodgrain Laminates	Accent Laminates	Color Core Laminates	Markerboard Laminate	Glass	Plated Finish	Knoll Core Paints	Accent Paints	Knoll Core Veneers	Anodized Aluminum	Knoll Bright White Paint Only	Knoll Silver Paint Only	Black/White
Wall Mounted Wood Cabinet Door Sets																		
	Door Finish			*										*				
	Pull Finish										*	*	*					
LED Task Light		*																
Wall-Mounted Metal Enclosed Cabinets																		
	Case Finish											*						
	Door Finish											*						
	Pull Finish											*	*					
LED Task Light		*																
Interpole																		
Poles																		
	Pole Extrusion														*	*		
	Covers														*	*		
	Leveler Caps	*																
Electrical Components																		
	Power Components	*																
	Duplex Outlets																	*
	Edge Liner	*																
Accessories																		
	Outlet Covers														*	*		
	Cable Clips	*																
	Ceiling Tile Trim Kit															*	*	
	Extension Pole Hardware Kit	*																
	Cantilever Shelf			*										*				
	Shelf Support Bracket										*	*						
	Coat Hook											*						
	Bag Hook											*						
	Round Platform	*																
	Round Platform L-Bracket										*	*						
Screens																		
	Surface Finish		*						*	*								
	Frame Finish													*	*			
Storage																		
	Case Finish Exterior			*										*				
	Case Finish Interior			*			*											
	Door Finish			*										*				
	Pull Finish										*	*	*					
	Support Bracket Paint Finish										*	*						

KnollTextiles Approved for Screens and Fabric Inserts

Grade 10

Annex (W1360)
 Beacon (W1597)
 Broadcloth II (W1619)
 Circuit (W1754)
 Element (W1077)
 Foundation (W351)
 Growth Spurt (W692)
 Skylark (W1718)
 Symbolic Details (W693)
 Tailor Made II (W1610)
 Versatility (W432)

Grade 20

Bauhaus Block (W296)
 Circle Line (W1146)
 Clarity (W281)
 Criss Cross (W305)
 Logic (W1318)
 Mainframe (W1783)
 Nematic II (W1620)

Photon II (W1695)
 Reflect (W884)
 Resolution (W280)
 Weave Three (W298)

Grade 30

Basket Draft (W249)
 Flow (W565)
 Harmony (W232)
 Micro (W465)
 Relay (W1020)

Grade 40

Amplify (W1215)
 Bandwidth (W1219)
 Ornament (W1078)
 Palladium (W1030)
 Spellbound (W1464)

Grade 50

Presto (K1000)

Grade 55

Ransom (K1298)
 Transition (W816)

Note: Fabric is only applied railroaded (RR) for fabric screens wider than 60" wide.

COM (Customer's Own Material)

COM can be applied to Antenna Workspaces product on a select basis. Please consult your Knoll Customer Service Representative for details on the COM approval process and testing requirements. Pricing for COM fabrics is at Grade 10.

Note: Always contact your Customer Service Representative prior to sending any COM (including pre-approved KnollTextiles) to the manufacturing facility.

COM Yardage Requirements for Screens and Fabric Inserts

The total yardage is for both sides of the screen.

	Pattern Number	Total Yards Required			
		66" wide COM	54" wide COM	Railroaded 66" wide COM	Railroaded 54" wide COM
DESK MOUNTED SCREENS	YPSB3824F	1.14	1.14	1.48	1.48
	YPSB3827F	1.14	2.28	1.64	1.64
	YPSB3830F	1.14	2.28	1.8	1.8
	YPSB3836F	2.28	2.28	2.14	2.14
	YPSB3842F	2.28	2.28	2.48	2.48
	YPSB3848F	2.28	2.28	2.8	2.8
	YPSB3853F	2.28	3.1	3.1	3.1
	YPSB3854F	2.28	3.14	3.14	3.14
	YPSB3859F	2.28	3.44	3.44	3.44
	YPSB3860F	2.28	3.48	3.48	3.48
	YPSB3865FRR	3.78	3.78	3.78	3.78
	YPSB3866FRR	3.8	3.8	3.8	3.8
	YPSB3872FRR	4.14	4.14	4.14	4.14
	YPSB3224F	0.96	0.96	1.48	1.48
	YPSB3227F	0.96	1.9	1.64	1.64
	YPSB3230F	0.96	1.9	1.8	1.8
	YPSB3236F	1.9	1.9	2.14	2.14
	YPSB3242F	1.9	1.9	2.48	2.48
	YPSB3248F	1.9	1.9	2.8	2.8
	YPSB3253F	3.1	3.1	1.9	0
	YPSB3254F	1.9	3.14	3.14	3.14
	YPSB3259F	1.9	3.44	3.44	3.44
	YPSB3260F	1.9	3.48	3.48	3.48
	YPSB3265FRR	3.78	3.78	3.78	3.78

	Pattern Number	Total Yards Required			
		66" wide COM	54" wide COM	Railroaded 66" wide COM	Railroaded 54" wide COM
DESK MOUNTED SCREENS	YPSB3266FRR	3.8	3.8	3.8	3.8
	YPSB3272FRR	4.14	4.14	4.14	4.14
	YPSB3277FRR	4.44	4.44	4.44	4.44
	YPSB2624F	0.8	0.8	0.74	1.48
	YPSB2627F	0.8	1.58	0.82	1.64
	YPSB2630F	0.8	1.58	0.9	1.8
	YPSB2636F	1.58	1.58	1.08	2.14
	YPSB2642F	1.58	1.58	1.24	2.48
	YPSB2648F	1.58	1.58	1.4	2.8
	YPSB2654F	1.58	3.14	1.58	3.14
	YPSB2660F	1.58	3.48	1.74	3.48
	YPSB2666FRR	1.9	3.8	1.9	3.8
	YPSB2672FRR	2.08	4.14	2.08	4.14
	YPSB2024F	0.62	0.62	0.5	0.74
	YPSB2027F	0.62	1.22	0.56	0.82
	YPSB2030F	0.62	1.22	0.6	0.9
	YPSB2036F	1.22	1.22	0.72	1.08
	YPSB2042F	1.22	1.22	0.84	1.24
	YPSB2048F	1.22	1.22	0.94	1.4
	YPSB2054F	1.22	1.58	1.06	1.58
	YPSB2060F	1.22	1.74	1.16	1.74
	YPSB2066FRR	1.28	1.9	1.28	1.9
YPSB2072FRR	1.38	2.08	1.38	2.08	

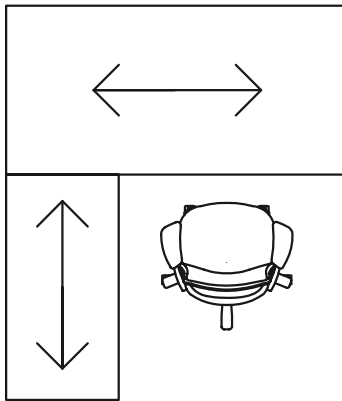
	Pattern Number	Total Yards Required			
		66" wide COM	54" wide COM	Railroaded 66" wide COM	Railroaded 54" wide COM
FENCE SCREENS	YPSF2124F	0.66	0.66	0.74	0.74
	YPSF2136F	1.3	1.3	1.08	1.08
	YPSF2148F	1.3	1.3	1.4	1.4
	YPSF2160F	1.3	1.74	1.74	1.74
	YPSF2172FRR	2.08	2.08	2.08	2.08
	YPSF1424F	0.46	0.46	0.38	0.5
	YPSF1436F	0.92	0.92	0.54	0.72
	YPSF1448F	0.92	0.92	0.7	0.94
	YPSF1460F	0.92	1.16	0.88	1.16
	YPSF1472FRR	1.04	1.38	1.04	1.38
	YPSF2424F	0.74	0.74	0.74	0.74
	YPSF2436F	1.48	1.48	1.08	1.08
	YPSF2448F	1.48	1.48	1.4	1.4
	YPSF2460F	1.48	1.74	1.74	1.74
	YPSF2472FRR	2.08	2.08	2.08	2.08
	YPSF1724F	0.56	0.56	0.5	0.74
	YPSF1736F	1.1	1.1	0.72	1.08
	YPSF1748F	1.1	1.1	0.94	1.4
	YPSF1760F	1.1	1.74	1.16	1.74
	YPSF1772FRR	1.38	2.08	1.38	2.08

BIG TABLE SCREENS	YPSC2124F	0.66	0.66	0.74	0.74
	YPSC2130F	0.66	1.3	0.9	0.9
	YPSC2136F	1.3	1.3	1.08	1.08
	YPSC2142F	1.3	1.3	1.24	1.24
	YPSC2148F	1.3	1.3	1.4	1.4
	YPSC2154F	1.3	1.58	1.58	1.58
	YPSC2160F	1.3	1.74	1.74	1.74
	YPSC2166FRR	1.9	1.9	1.9	1.9
	YPSC2172FRR	2.08	2.08	2.08	2.08
	YPSC1424F	0.46	0.46	0.38	0.5
	YPSC1430F	0.46	0.92	0.46	0.6
	YPSC1436F	0.92	0.92	0.54	0.72
	YPSC1442F	0.92	0.92	0.62	0.82
	YPSC1448F	0.92	0.92	0.7	0.94
	YPSC1454F	0.92	1.06	0.8	1.06
	YPSC1460F	0.92	1.16	0.88	1.16
	YPSC1466FRR	0.96	1.28	0.96	1.28
	YPSC1472FRR	1.04	1.38	1.04	1.38

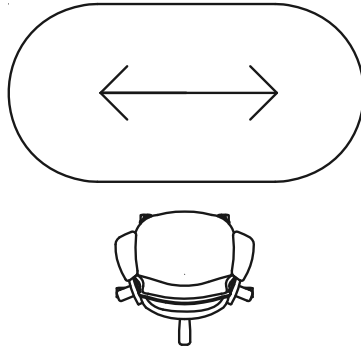
	Pattern Number	Total Yards Required			
		66" wide COM	54" wide COM	Railroaded 66" wide COM	Railroaded 54" wide COM
INTERMEDIATE SCREENS	YPSI1416F	0.28	0.42	0.28	0.36
	YPSI1418F	0.28	0.42	0.3	0.4
	YPSI1419F	0.28	0.42	0.32	0.42
	YPSI1422F	0.42	0.42	0.36	0.46
	YPSI1424F	0.42	0.42	0.38	0.5
	YPSI1427F	0.42	0.84	0.42	0.56
	YPSI1428F	0.42	0.84	0.44	0.58
	YPSI1430F	0.42	0.84	0.46	0.62
	YPSI1436F	0.84	0.84	0.54	0.72
	YPSI2116F	0.4	0.6	0.36	0.54
	YPSI2118F	0.4	0.6	0.4	0.58
	YPSI2119F	0.4	0.6	0.42	0.62
	YPSI2122F	0.6	0.6	0.46	0.7
	YPSI2124F	0.6	0.6	0.5	0.76
	YPSI2127F	0.6	1.2	0.56	0.84
	YPSI2128F	0.6	1.2	0.58	0.86
	YPSI2130F	0.6	1.2	0.62	0.92
	YPSI2136F	1.2	1.2	0.72	1.08

FABRIC INSERTS	YSDXFB18	0.15	0.22	0.14	0.18
	YSDXFB24	0.22	0.22	0.18	0.24
	YSDXFB27	0.22	0.43	0.2	0.26
	YSDXFB30	0.22	0.43	0.22	0.29
	YSDXFB3015	0.22	0.43	0.22	0.29
	YSDXFB36	0.43	0.43	0.26	0.35
	YSDXFB53	0.22	0.43	0.2	0.27
	YSDXFB59	0.22	0.43	0.22	0.3
	YSDXFB5915	0.22	0.43	0.22	0.3
	YSDXFB65	0.43	0.43	0.24	0.32
	YSDXFB6515	0.43	0.43	0.24	0.32

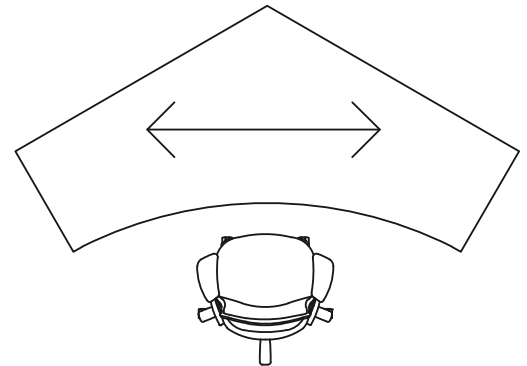
INTERPOLE SCREENS	IPSC6436NLF	1.83	1.83	1.09	n/a
	IPSC6436TLF	1.83	1.83	1.09	n/a
	IPSC6442NLF	1.83	1.83	1.26	n/a
	IPSC6442TLF	1.83	1.83	1.26	n/a
	IPSC6448NLF	1.83	1.83	1.42	n/a
	IPSC6448TLF	1.83	1.83	1.42	n/a
	IPSC6454NLF	1.83	n/a	1.59	n/a
	IPSC6454TLF	1.83	n/a	1.59	n/a
	IPSC6460NLF	1.83	n/a	1.76	n/a
	IPSC6460TLF	1.83	n/a	1.76	n/a



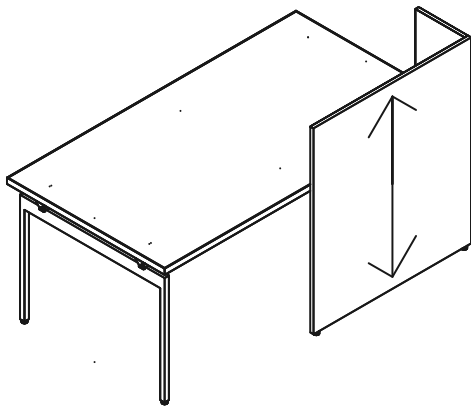
Rectangular Tops



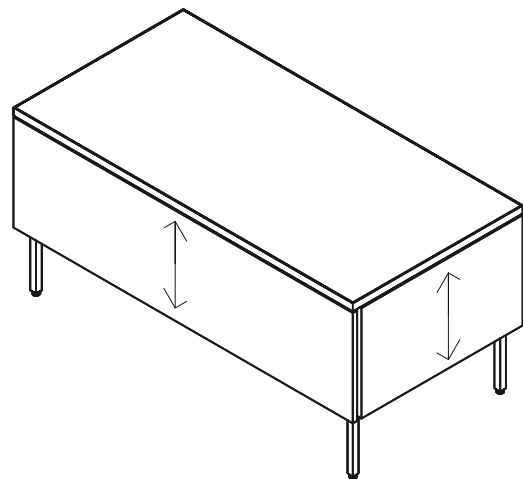
Track Shaped Tables



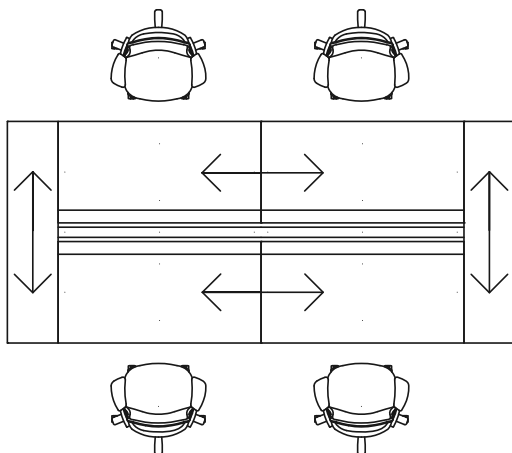
120 Degree Tops



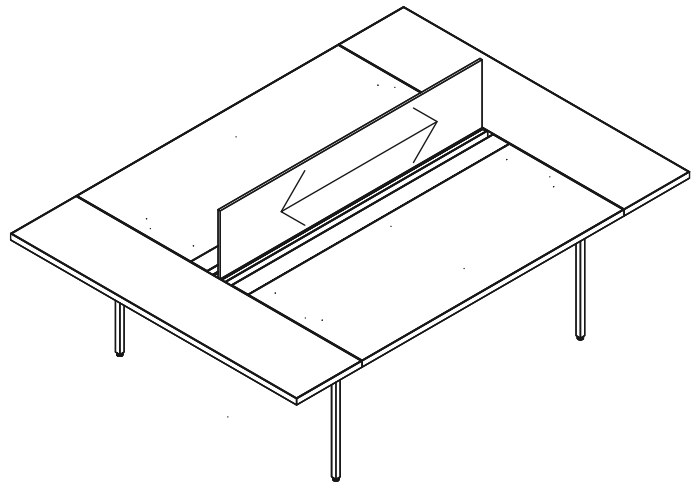
Desk Mounted and Floorstanding Screens



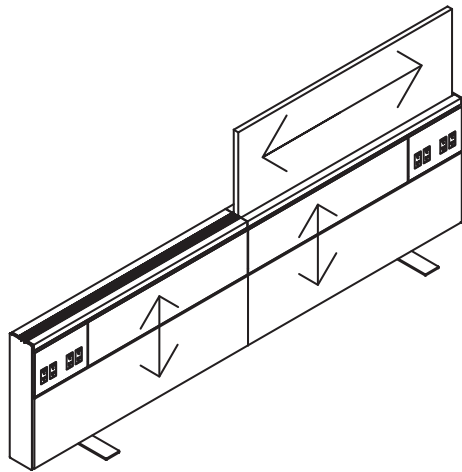
Modesty and End Panels



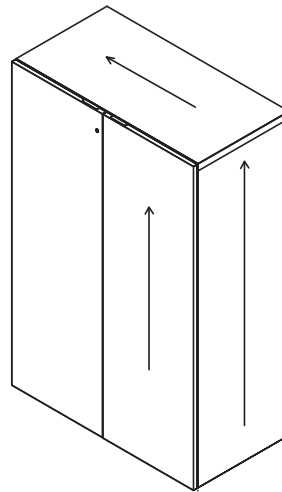
Big Table with Extension Tops or Cabinets



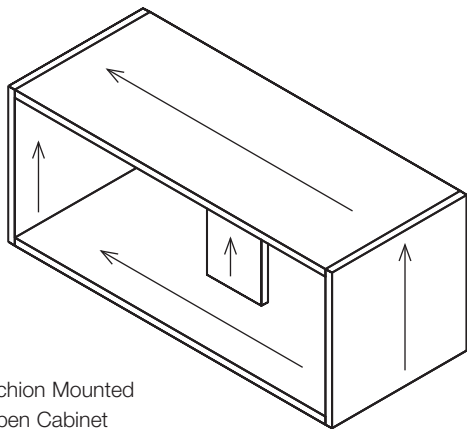
Big Table and Fence Screens



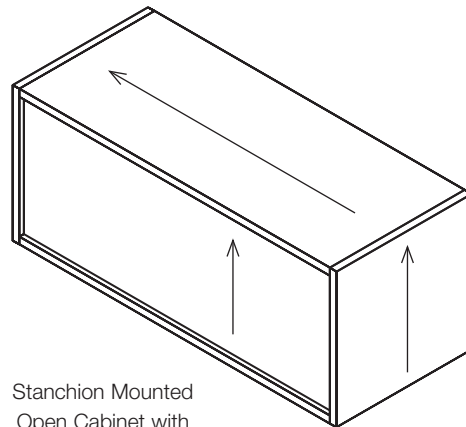
Fence Covers
and Screens



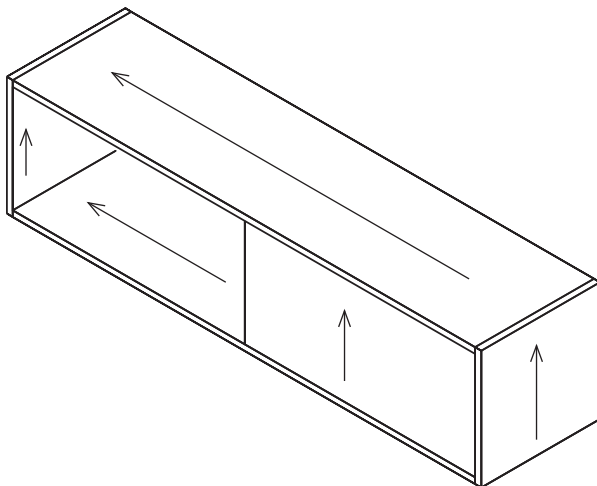
Floorstanding Cabinets



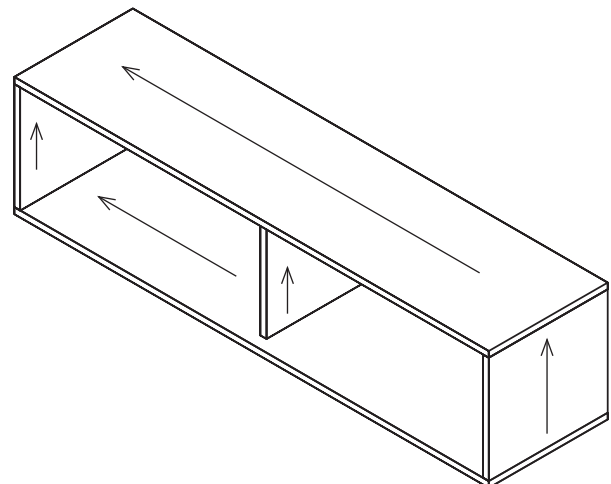
Stanchion Mounted
Open Cabinet



Stanchion Mounted
Open Cabinet with
Open Front with
Enclosed Back



Stanchion Mounted Shared Cabinet



Wall Mount Open Cabinet

Wall Mounting Suggestions

The following information is provided only as a guide, and represents minimum recommendations only. Knoll does not accept responsibility for the attachment of any Knoll product to a Customer's site wall. Wall specification/construction is the responsibility of the Customer and its structural engineer/architect. Failure to properly attach Knoll products to adequate wall structures can lead to property damage and/or personal injury.

You should consult your own structural engineers and/or architects and must not rely on the information provided herein.

It is the responsibility of the Customer and its structural engineers/architects to verify that the permanent structural walls (studs, blocks, solid masonry, etc.) on which the Knoll products are intended to be mounted

are designed appropriately to support the product weight, PLUS 3 lbs. per linear inch for each useable shelf length

NOTE: A cabinet's top is considered a "useable shelf" and MUST be included in the calculation of the total load for an overhead cabinet.

It is the responsibility of the Customer and its structural engineer/architects to specify the fasteners and method for attaching the Knoll supplied wall mounting cleat, bracket, frame, etc. to the supporting wall and to confirm that the installers have adhered to these specifications. For all local building standards and codes, and additional requirements (including, but not limited to, seismic conditions) the Customer should always consult local code agencies.

	EXISTING CONSTRUCTION					
	NEW CONSTRUCTION	Cinder Block or Poured Concrete Masonry Wall	Wood Stud Wall, the studs being FULL HEIGHT to the roof/floor above	Wood Stud Wall, the studs being only Ceiling Height	Steel Stud Wall, the studs being FULL HEIGHT to the roof/floor above	Steel Stud Wall, the studs being only Ceiling Height
Stud Specification	Wood studs, grade #2 or better, 3 1/2" minimum width, OR Metal studs, minimum 25 gage thickness, 3 5/8" minimum width	The wall must be a minimum of 6" thick, and must be full height to the roof/ floor structure above	Wood studs must be Grade #2, or better, 3 1/2" minimum width	Wood studs must be Grade #2, or better, 3 1/2" minimum width	Metal studs must be minimum 25 gage thickness, 3 5/8" minimum width	Metal studs must be minimum 25 gage thickness, 3 5/8" minimum width
Stud Centers	Metal and wood studs must be spaced at 16" c/c maximum	N/A	Wood studs must be spaced at 16" c/c maximum	Wood studs must be spaced at 16" c/c maximum"	Metal studs must be spaced at 16" c/c maximum	Metal studs must be spaced at 16" c/c maximum
Stud Height	Metal and wood studs must extend upwards, and be securely attached to the roof/ floor structure above			Wood studs must be braced above the ceiling, and be securely attached to the roof/floor structure above Affix #2 grade 'cap' across the top of the studs, then place diagonal studs from the top cap up to underside of the roof/ floor structure above		Metal studs must be braced above the ceiling, and be securely attached to the roof/floor structure above Affix metal bracing 'cap' across the top of the studs, then place diagonal studs from the top cap up to underside of the roof / floor structure above
Mounting the Knoll Supplied Cleat, Bracket, Frame, etc*	Insert a 2" X 6" wood block, #2 grade or better, [or a Danback™ flexible wood backing system] horizontally between each of the studs to accommodate the full width of the cabinet, and beyond to the next stud. Fasten the wood block to each stud using three screws at the ends of each block. (Fasten the Danback™ as directed by the manufacturer) Fasten the Knoll supplied wall mounting cleat, bracket, frame, etc directly to each wood block every 6" For wall mounting structures that have a rectangular frame-like configuration: fasten the top horizontal element of the frame to the wood blocking every 6", and fasten the lower horizontal element to each wall stud, using one fastener per stud.	Fasten the Knoll supplied cabinet wall mounting cleat, bracket, frame, etc. directly to the masonry wall every 6" For wall mounting structures that have a rectangular frame-like configuration: fasten the top horizontal element of the frame to the wall every 6", and fasten the lower horizontal element to the wall every 16"	In the desired location of the cabinet mounting rail, remove an 8" high section of drywall the width of the cabinet, and beyond to the next stud. Insert a 2" X 6" wood block, #2 grade or better, horizontally between each of the exposed studs. Fasten the wood block to each stud using three screws at the ends of each block. Replace the drywall and repair as desired. Fasten the Knoll supplied wall mounting cleat, rail, frame, etc directly to the wood block every 6" For wall mounting structures that have a rectangular frame-like configuration: fasten the top horizontal element of the frame to the wood blocking every 6", and fasten the lower horizontal element to each wall stud, using one fastener per stud.	In the desired location of the cabinet mounting rail, remove an 8" high section of drywall the width of the cabinet, and beyond to the next stud. Insert a 2" X 6" wood block, #2 grade or better, horizontally between each of the exposed studs. Fasten the wood block to each stud using three screws at the ends of each block. Replace the drywall and repair as desired. Fasten the Knoll supplied wall mounting cleat, rail, frame, etc directly to the wood block every 6" For wall mounting structures that have a rectangular frame-like configuration: fasten the top horizontal element of the frame to the wood blocking every 6", and fasten the lower horizontal element to each wall stud, using one fastener per stud.	In the desired location of the cabinet mounting rail, remove an 8" high section of drywall the width of the cabinet, and beyond to the next stud. Insert a 2" X 6" wood block, #2 grade or better, [or a Danback™ flexible wood backing system] horizontally between each of the exposed studs. Fasten the wood block to each stud using three screws at the ends of each block. Replace the drywall and repair as desired. Fasten the Knoll supplied wall mounting cleat, rail, frame, etc directly to the wood block every 6" For wall mounting structures that have a rectangular frame-like configuration: fasten the top horizontal element of the frame to the wood blocking every 6", and fasten the lower horizontal element to each wall stud, using one fastener per stud.	In the desired location of the cabinet mounting rail, remove an 8" high section of drywall the width of the cabinet, and beyond to the next stud. Insert a 2" X 6" wood block, #2 grade or better, [or a Danback™ flexible wood backing system] horizontally between each of the exposed studs. Fasten the wood block to each stud using three screws at the ends of each block. Replace the drywall and repair as desired. Fasten the Knoll supplied wall mounting cleat, rail, frame, etc directly to the wood block every 6" For wall mounting structures that have a rectangular frame-like configuration: fasten the top horizontal element of the frame to the wood blocking every 6", and fasten the lower horizontal element to each wall stud, using one fastener per stud.
*Graham Wall Hung Shelf	The Graham Wall Hung Shelf Bracket (and others like it) requires full support behind the full height of the bracket This should be accomplished by insertion of additional 2"X 6" wood blocking between the studs as defined above	Fasten the Knoll supplied wall mounting brackets directly to the masonry wall, using the holes provided in each bracket	The Graham Wall Hung Shelf Bracket (and others like it) requires full support behind the full height of the bracket This should be accomplished by insertion of additional 2"X 6" wood blocking between the studs as defined above	The Graham Wall Hung Shelf Bracket (and others like it) requires full support behind the full height of the bracket This should be accomplished by insertion of additional 2"X 6" wood blocking between the studs as defined above	The Graham Wall Hung Shelf Bracket (and others like it) requires full support behind the full height of the bracket This should be accomplished by insertion of additional 2"X 6" wood blocking between the studs as defined above	The Graham Wall Hung Shelf Bracket (and others like it) requires full support behind the full height of the bracket This should be accomplished by insertion of additional 2"X 6" wood blocking between the studs as defined above
Fasten the Knoll supplied wall cleat with...	#10 x 2 1/2" Grabber Woodys Screws or equiv. @ 6" c/c, screwed directly into the wood blocking	3/16" x 3 1/2" Tapcon Masonry Screws or equiv. @ 6" c/c with 1-1/4" embedment, screwed directly into the masonry wall	#10 x 2 1/2" Grabber Woodys Screws or equiv. @ 6" c/c, screwed directly into the wood blocking	#10 x 2 1/2" Grabber Woodys Screws or equiv. @ 6" c/c, screwed directly into the wood blocking	#10 x 2 1/2" Grabber Woodys Screws or equiv. @ 6" c/c, screwed directly into the wood blocking	#10 x 2 1/2" Grabber Woodys Screws or equiv. @ 6" c/c, screwed directly into the wood blocking

Simple. Open. Adaptable.

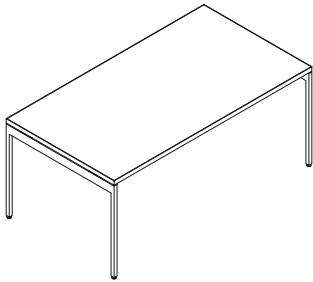
Antenna Workspaces, the integrated solution to the office, supports every mode of work—focused, shared and team—and facilitates the transitions between them. Knoll research confirms that the most progressive organizations seek innovation and increased productivity through collaboration: mentoring, teamwork and “unplanned” interaction. The challenge is to create an environment that complements individual, focused work settings with those that support collaborative work and informal, social interaction.

Antenna Workspaces comprises a range of solutions that integrate all these modes of work:

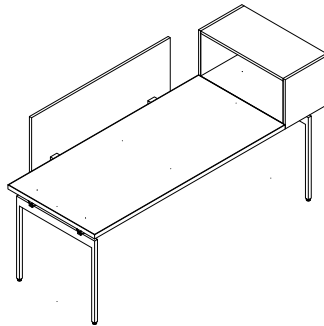
- **Focus** is an individual work mode that supports concentration with minimal interruptions.
- **Share** is a collaborative work mode that can occur in individual or group spaces and centers on the casual exchange of ideas.
- **Team** is a group work mode that occurs in a range of meeting spaces, both formal and informal.

Basic Elements

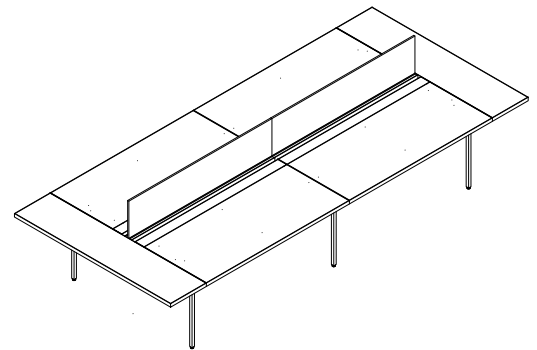
The fundamental elements of Antenna are Tables, Desks and Big Tables, fully integrated Fence spine, power components, Template Storage System, Screens and complementary Antenna storage components. To simplify planning and specifications, desks, tables, big table and fence are orderable as complete kits or as components.



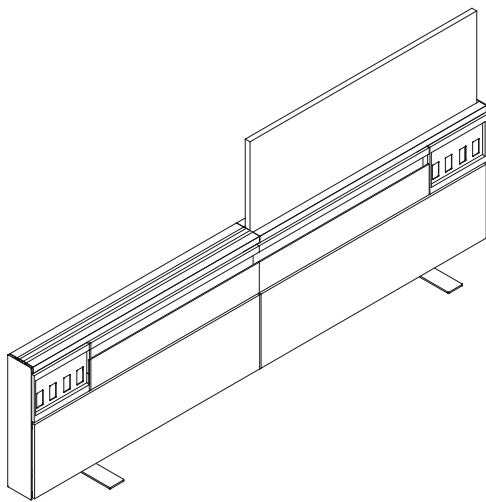
Table



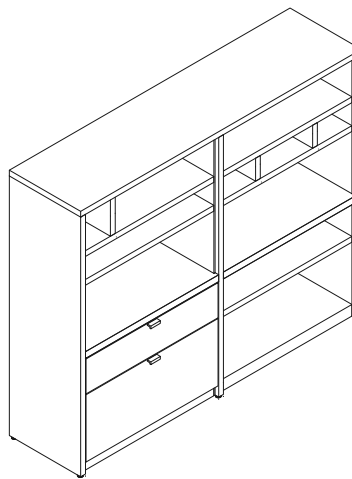
Desk



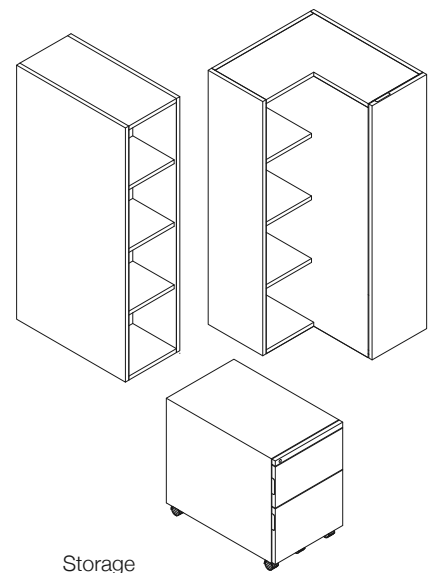
Big Table



Antenna Fence



Antenna Components for the Template Storage System



Storage

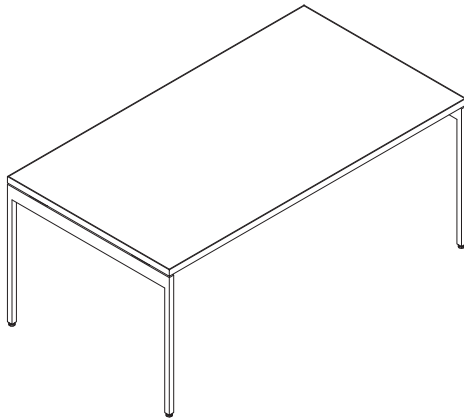
Tables

Antenna begins with a simple structure—the Table—that is inherently collaborative. The top rests on a base composed of two steel end legs and two tubular rails that span across or between them, linked by cast aluminum cradles. The result is an extraordinarily strong table that can support tops up to 4' x 8'. Antenna tops are laminate with a 2.8mm abs, or veneer edge with a comfortable radius top and bottom and crisp corners. Also available are distinctive overlay tops, featuring full overlay top veneer or solid core laminate, with a veneer edge and larger radiused corners and underside edges.

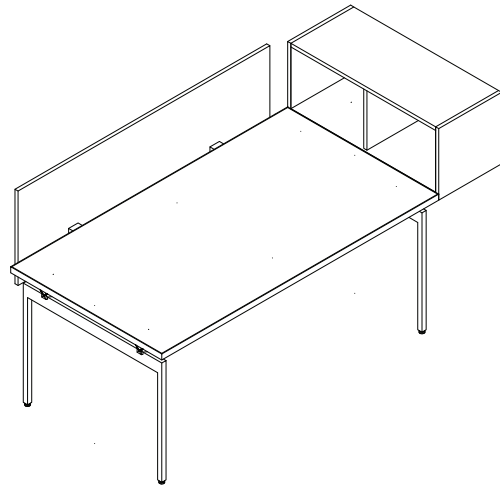
Desks

The table is transformed into a Desk with the addition of storage, screens or power components that make one side the primary user edge. Desks can be linked end-to-end sharing a leg, or back to back with dual legs, or a perpendicular return desk can be attached at any point to form L-shape or U-shape desk arrangements. Desk top dimensions are 36"-96" wide, in 6" increments, and primary depths are 24, 27, 30 and 36"D. Desk supports and a full range of tops are also available in 18", 42" and 48" depths for returns and meeting tables.

The continuous support rails enable suspended storage or can be extended beyond the primary desk top to support desk extension cabinets or contrasting extension tops. Modular power components and cable baskets can be mounted to the rail to distribute power and communications between linked desks. Screens attach directly anywhere along the back or end of a desk to provide partial modesty and enclosure above the top to either 42" or 49" horizons. A continuous 1 ¼" cord drop between the inside of a screen and the edge of the top facilitates wire management and enables clamp on monitor arms or a convenient desktop power/communications outlet module at any point.



Table



Desk with Extension Cabinet and Screen

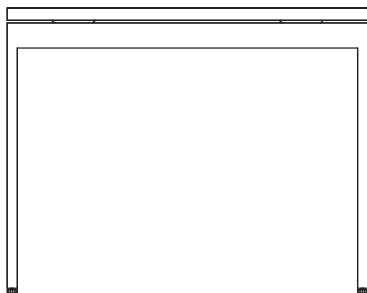
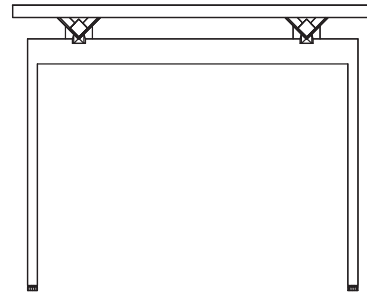


Table End Elevation



Desk End Elevation

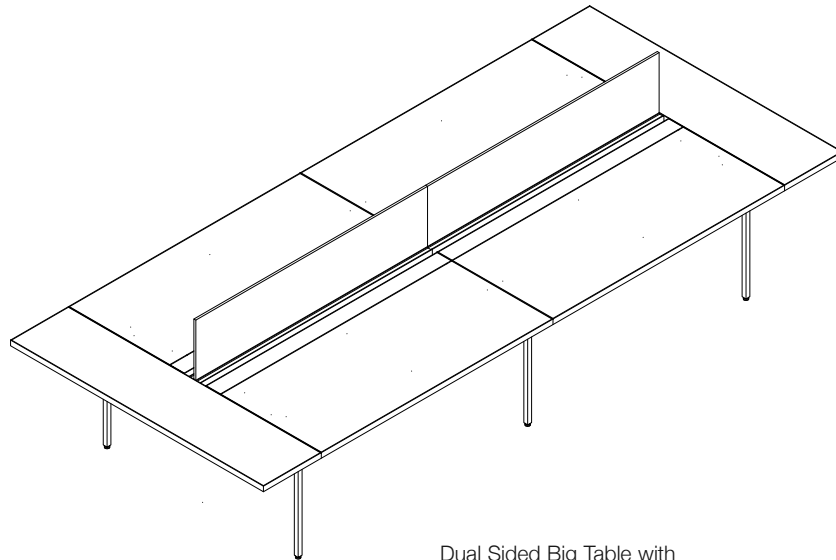
The Big Table

Back-to-back desk tops with shared legs can be linked to form the Big Table: a collaborative work setting that supports groups of any size. The centerpiece of the big table is the center beam that spans across legs with a cord drop on either side. The center beam enables upmounted screens, platforms and storage, suspended power components,

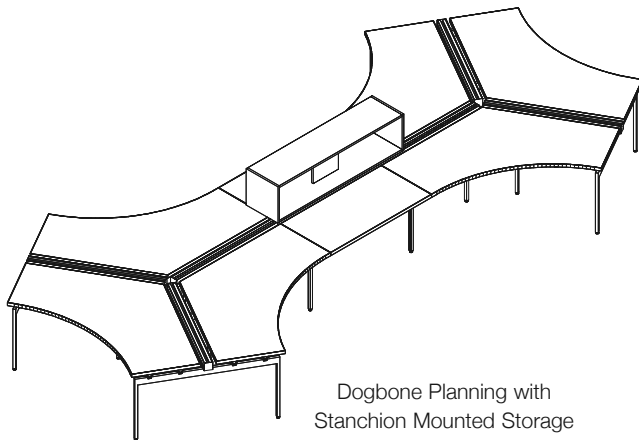
and independent support of cantilevered shelves and monitor arms on either side. Because the rail structure is the same as that of desks, returns can be attached to the big table at any point. As with desks, extended rails at the end positions of a big table support extension tops or storage cabinets above or below the big table tops.

Single sided big tables are also available for increased big table planning flexibility. Single sided big tables provide the intelligence of the center beam in a shallower depth big table

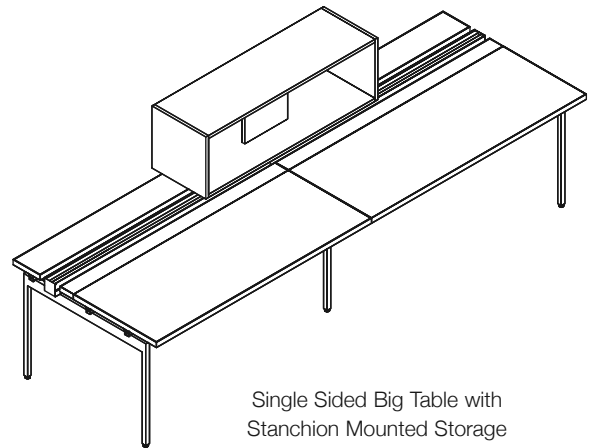
Big table tops are 18", 24", 27", 30" or 36" deep and in widths from 48"-84". Antenna and Overlay tops for the big table are available with a 3 ¾" continuous hinged surface at the back for easier access to power and communications outlets. In addition, Overlay tops can be ordered as "benching" tops with crisp corners for a continuous front edge where adjacent tops meet.



Dual Sided Big Table with
Extension Tops and Screens



Dogbone Planning with
Stanchion Mounted Storage



Single Sided Big Table with
Stanchion Mounted Storage

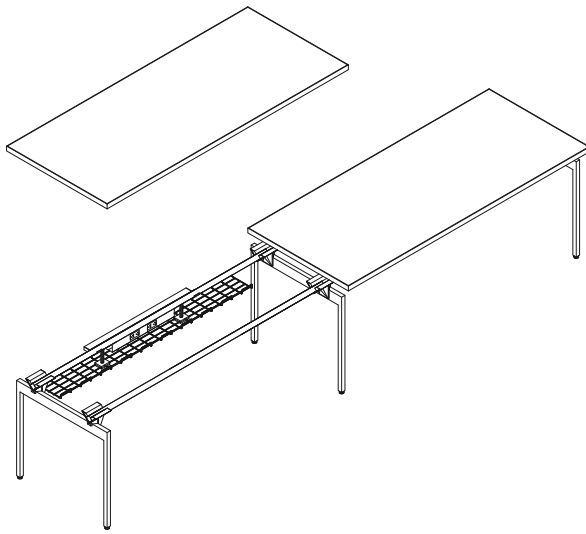
Power Distribution in Antenna Workspaces

Throughout linked desks, big table or fence planning, Antenna modular power systems can be specified to distribute four or six circuits of power from a single point of supply. The system consists of a power harness that accepts preconfigured duplex outlets on any circuit as well as up to four jumper cables to link power to another harness. Modular or hardwire infeeds to satisfy national and local electrical codes also connect into the power harness.

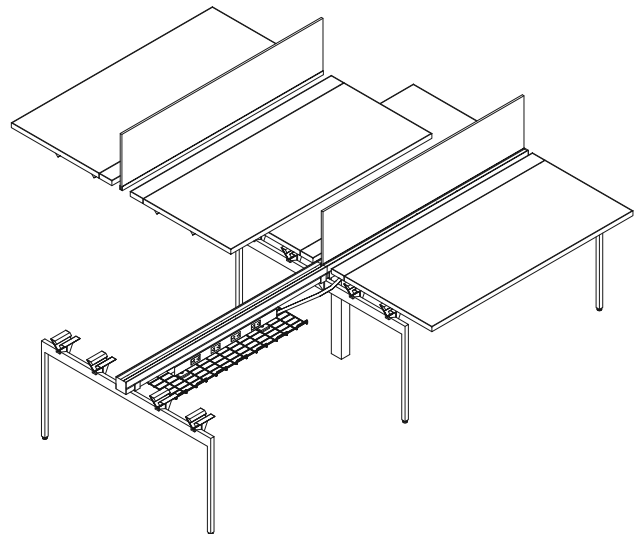
For desks, a power harness and mounting bracket are suspended from a desk rail. Two power harness options are available, one accepting up to two snap-in duplex outlets on each face and the other up to four duplex outlets on each face. Separate covers enclose the harness. Power harness mounting bracket can also accept a data/communications box adjacent to the power harness. Jumpers connect from one harness to the next in linked configurations, and can branch to support power under returns or back-to-back desks.

For big tables, the same power harnesses and jumpers are suspended directly from the center beam.

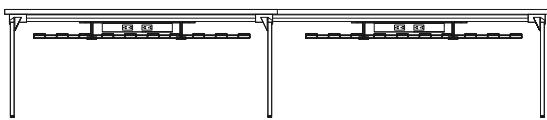
Power infeeds in desks and big tables can be managed vertically in a channel attached to the power harness adapter bracket or center beam.



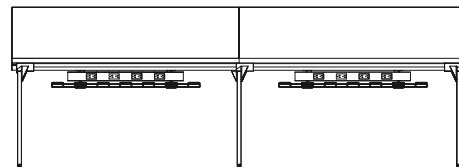
Desk with Electrical Components



Big Table with Electrical Components



Elevation of Desk Electrical Components



Elevation of Big Table Electrical Components

Fence

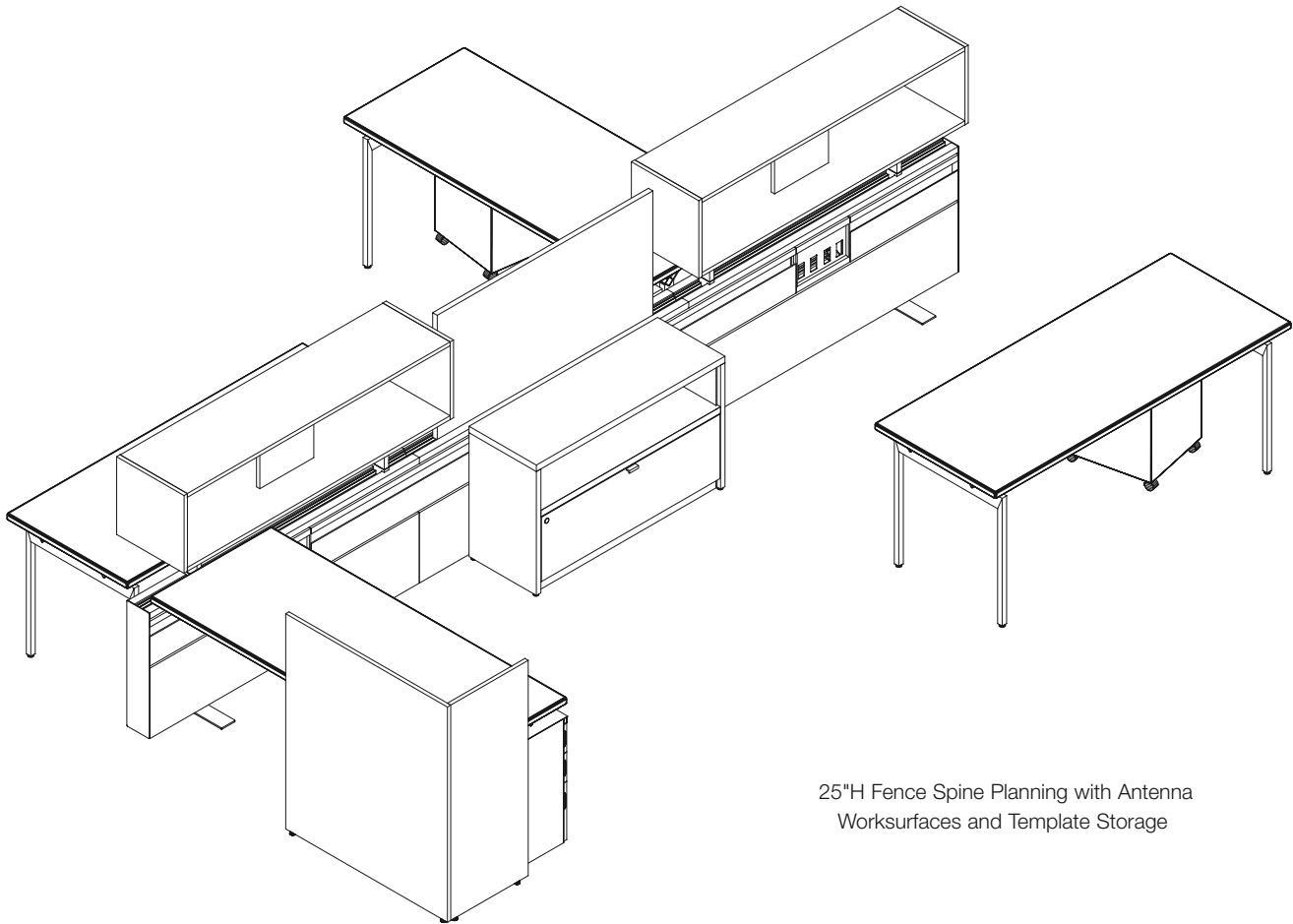
Fence is a compact spine that can be a freestanding housing for power and communications distribution and convenient outlets at the center of a cluster of desks or tables. Fence enables tables and desk arrangements to be moved independently of the service spine, or can be used to support one end of a desk.

Fence can be configured at desk top height or at 25" height to align with desk legs or enable the desk structure to span over the spine.

At either horizon, fence can also support screens or upmounted storage components including platforms, open or enclosed, single sided or shared cabinets.

Services can be supplied to the underside of fence and outlets for power and communications can be positioned at any point. The internal frame structure enables continuous lay-in cable distribution on either side, and unique cable tray covers support easy access cable management on the exterior surface. Other surface options for fence include integral slatwall and painted, laminate or wood covers.

For fence an outlet module mounts to either side of the studs in the fence frame. As with desk power harnesses, the outlet module accepts two duplex outlets each side and up to four jumper cables or infeeds. One or two adjacent outlet modules are enclosed by a 12"W outlet cover in the upper 9" level of the fence. Power and communications infeeds can enter anywhere along the bottom of the fence frame, where there is a 1" space between fence covers to the floor and a 4" or 7" space from the bottom of the fence frame to the floor.



25"H Fence Spine Planning with Antenna Worksurfaces and Template Storage

Antenna Screens

Antenna privacy screens are available for use on desks, big table and fence and offered in a range of materials including: fabric, laminate, marker surface, wood veneer and glass. Privacy screens provide partial enclosure in two planning horizons: 42"H for visual access and 49"H for seated privacy.

For desks, Antenna screens are always offset from the back or end of a desk top by 1 1/4", which ensures continuous cable management and that power centers, monitor arms and task lights can be secured to the top. Screens can be specified with a half

modesty, which starts at 10" above the floor (to align with the bottom of suspended cabinets) or with a partial modesty, which starts 22 1/2" above the floor. Screens align with top widths and depths.

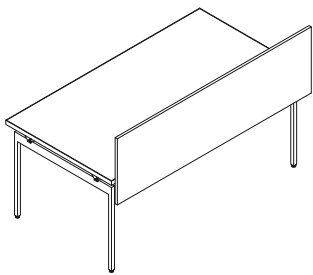
S screens attach to the back of a desktop to provide enclosure both above and below the desktop. The distinctive curved profile transitions from the 10" high vertical modesty panel to a horizontal transaction surface at the 42" horizon.

Also available for desks are floorstanding L screens at a 42" or 49" horizon, in 3/4" thick laminate or wood veneer surfaces. L screens wrap around the corner of a top and must be secured to the underside of the top.

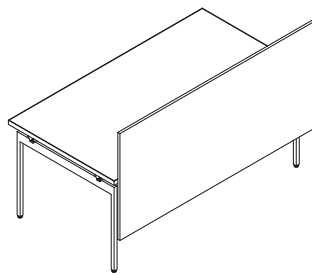
Antenna screens for the big table in 1/2" laminate, marker surface, veneer or glass include a base extrusion that fits into the top of the center beam at any point. Fabric screens are 1 1/4" thick with a painted perimeter metal frame. Screens are available in widths from 24"-72"W.

Intermediate screens are designed to plan anywhere along Antenna big tables or linked desk configurations to delineate individual workspaces. They are available with the same finish options at big table screens.

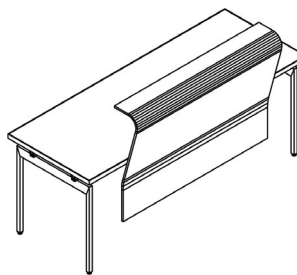
Screen options for fence are the same as those for big table, but the base extrusion is modified to fit into the center of the crown. Top caps are available to complement the fence crown or center beam adjacent to screens.



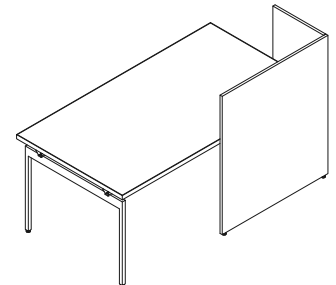
Partial Modesty Desk Screen



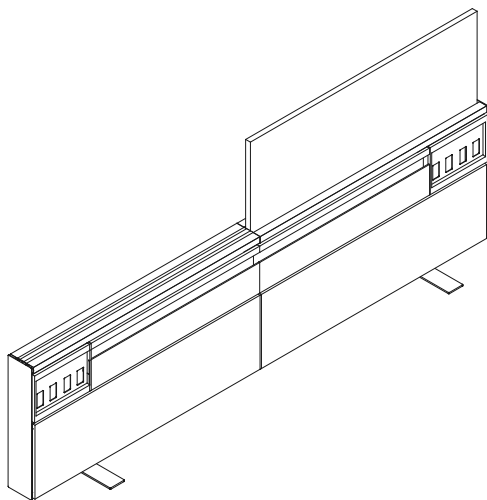
Half Modesty Desk Screen



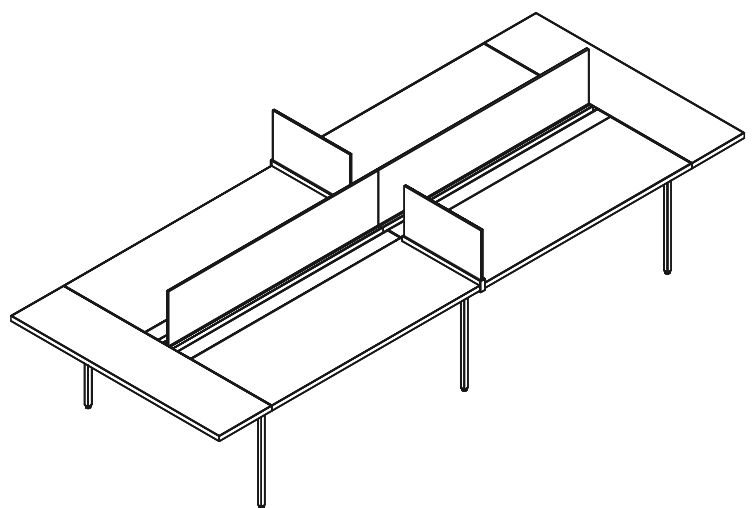
S Screen



Floorstanding L Screen, Left End of Desk



Fence Screen



Big Table Screens

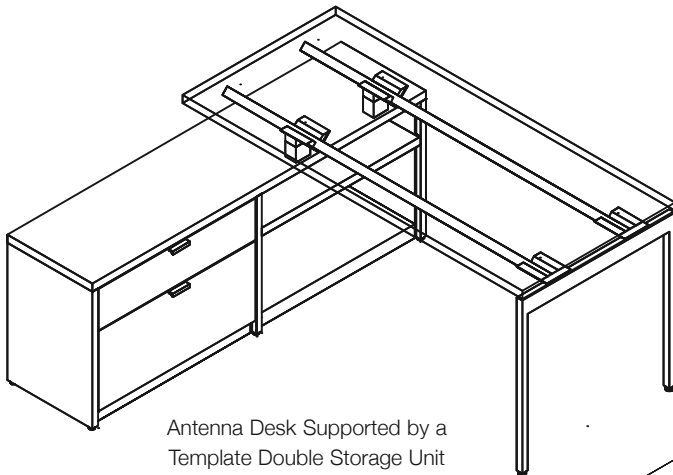
Antenna Components for Template

Antenna desks are designed to be planned next to or integrated with the Template Storage System. Template is based on the structure and dimensions of 15"D bookshelves. The simple structure includes 2"H bases and 1" wide end- and mid- panels that can support power and communications distribution, a top and full or partial structural back panels between vertical panels.

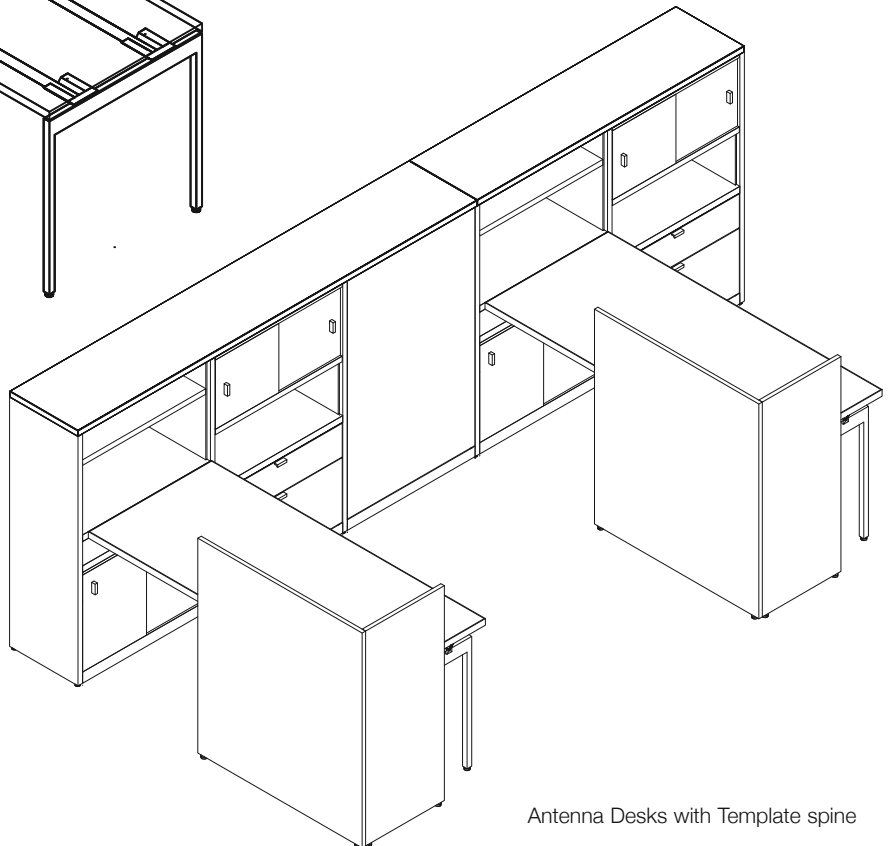
Various open and enclosed storage inserts fill the space between end and mid-panels. Since the structure is identical on "front" and "back," units can be linked, sharing a mid-panel, with components arranged to face one or both sides. Perpendicular Antenna desks can be supported from 22" or higher Template storage.

Template storage can be planned on any of ten horizons from 16" to 84", including key heights of 25", 28", 42" and 49" to match Antenna desk structure, desk tops, screen and storage. Template can be configured as a freestanding single storage unit, in widths from 24"-48", or ganged in any combination. With its compact depth Template is also ideal as a storage wall that defines the perimeter of a workspace or privacy between Antenna desks, or as the "work wall" of a private office.

Antenna tops and worksurface shelves for Template match the front edge material, profile and thickness of Antenna desk tops, but are sized in width to fit specific Template configurations. Antenna adapters are also available to link desks to worksurface shelves or tops for Template. Specify standard Template components for all other applications, including end and mid panels, bases, back panels, shelves and storage inserts.



Antenna Desk Supported by a Template Double Storage Unit



Antenna Desks with Template spine

Antenna Storage

Complementary Antenna storage components include painted steel, and laminate or wood veneer construction that are freestanding, furniture-mounted and wall-mounted.

Suspended storage options begin with the steel laptop drawer, with wire management features that enable it to serve as a secure storage for portable electronics. Other suspended storage units are laminate or wood veneer construction open shelves, in versions accessible from front/back or from the end of desk, and suspended file drawer, with internal pencil drawer. Suspended storage sizes correspond to desk depths.

Metal pedestal options are 18" or 24"D mobile data/file, 18", 24", or 30"D floorstanding two box/file, and two file units, with painted, laminate, or veneer fronts. Floorstanding 18"D two file pedestals are also available in 30" and 36" widths. Floorstanding pedestals with ballast kits can be integrated into the desk structure in place of a leg.

Above desk and below desk extension cabinets also correspond in size to desk and overall big table depths, supported by extended rails, with a "floor" or top flush with the adjacent desk top .

Stanchion mounted wood and metal construction shelves and cabinets, available with no back, full back or shared configurations, can be mounted on center beam of big table or on the fence. Stanchion mounted steel construction cabinets are available with painted steel surface doors. Stanchions for each application are designed to lift the 15"H x 15"D cabinets to an overall height of 49".

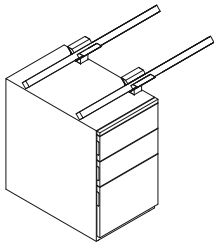
Wall mounted wood and metal open and enclosed storage units are also available, with overlapping doors in the same finish options as upmounted cabinets.

Cantilever shelves for big tables, 12" and 24"W, mount to either side of a center beam, while platforms can be supported on stanchions at 34"H.

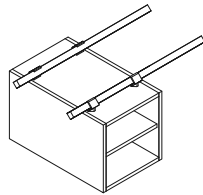
Desk-end cabinets, 49"H and 27", 30" and 36" depths, occupy a narrow footprint and provide access to shelves and coat storage from front and back in open/open, open/enclosed and enclosed/enclosed versions with hinged doors. Desk-end cabinet for 24"D applications is accessible from front only. Desk-end cabinets are floorstanding, but must be secured to desk for stability.

L cabinets are freestanding enclosures for coats and open shelves in a 24" x 24" L-shape that helps define the perimeter of an individual workspace. Single and double width wardrobes are also available for coat storage.

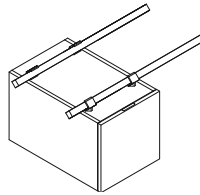
Enclosed shelf and file cabinets are freestanding 18"D open, enclosed or partially enclosed cabinets in laminate or veneer, that can be utilized as storage walls in open plan or private offices.



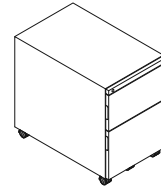
Floorstanding Pedestal



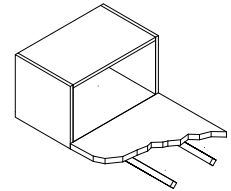
Suspended Open Cabinet



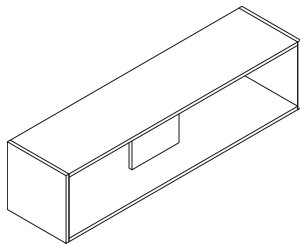
Suspended Wood File with Internal Pencil Drawer



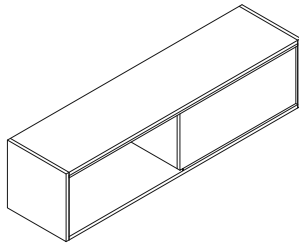
Mobile Pedestal



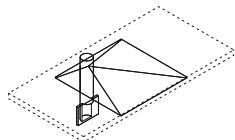
Above Desk Extension Cabinet



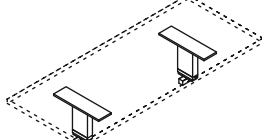
Stanchion Mounted Open Cabinet



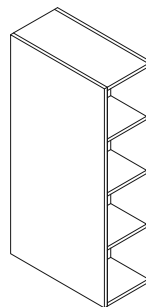
Stanchion Mounted Shared Open Cabinet



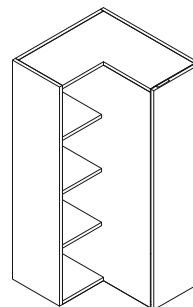
Cantilever Shelf for Big Table



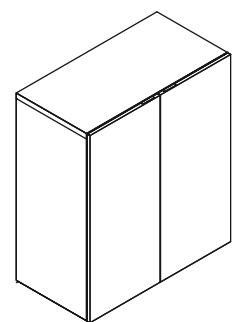
Stanchion Mounted Platform



Desk End Cabinet



Floorstanding L Cabinet



Enclosed Shelf Cabinet

Interpole Planning Guidelines

Interpole is a unique vertical planning approach based on a floor to ceiling H-pole applicable in open plan, private offices and activity spaces. Interpole poles incorporate two channels which may be open or enclosed, and two continuous slots for mounting shelves, screens, accessories or KnollExtra Sapper monitor supports at any height.

Interpole enables five distinct planning applications: hub, display, conduit, screen and storage wall.

Hub

Interpole distributes two circuit power from floor or ceiling to outlets at lounge, desk or standing height to serve as a recharge station for portable devices.

Display

Interpole with monitor support can serve as a technology mast in private offices or community spaces.

Conduit

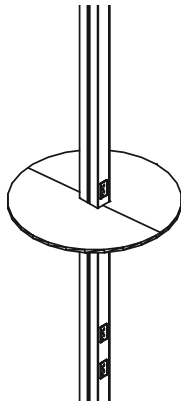
Interpole can route ceiling infeeds of power and communications cables in separate channels to supply Antenna workspaces linked desks, big table or Fence, or clusters of Dividends Horizon, AutoStrada, Reff Profiles or Morrison panel systems.

Screen

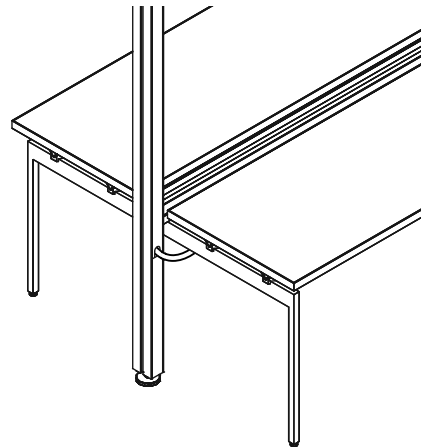
Interpole whiteboard, translucent glass or tackable screens mount between poles with or without covers to define boundaries of team meeting and community spaces with a functional surface.

Storage

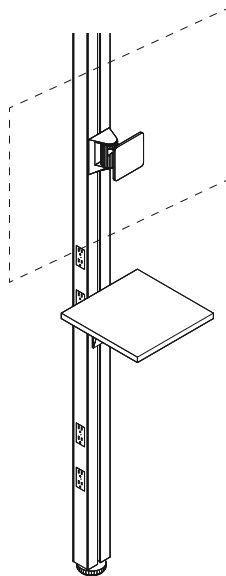
Interpole wood shelves and cabinets mount between poles at any level to support and define workstations, offices, or activity spaces. Vertical wood cabinets mount to the side of a pole providing open or enclosed shelf storage or wardrobe.



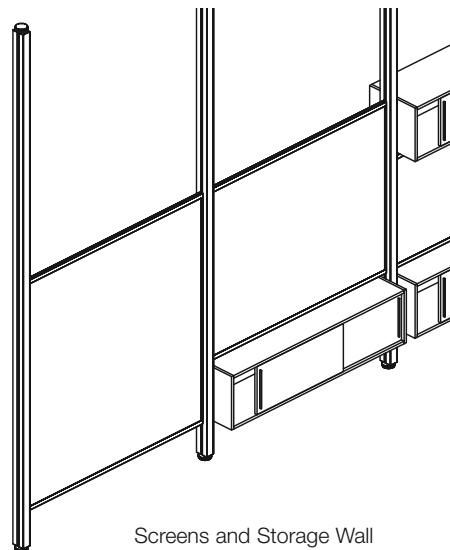
Hub



Conduit



Display



Screens and Storage Wall

The fundamental planning unit for Antenna and the starting point for any planning approach is the desk or table tops that form an individual or group workplace. What differs is how those tops are supported and complemented with services, screens and storage.

Antenna is most efficiently planned as groups of workplaces. Five unique planning models enable clustered desks, linked desks, big tables, desks with fence or the Template Storage System to serve as the shared, powered “spine” of a cluster. Each has unique advantages.

Clustered Tables or Desks are the most flexible planning approach, particularly when coupled with the fence or a raised floor system. Desks can be supplied individually from fence, raised floor, ceiling or adjacent built wall. Screens can be shared between desks, but clustered desks are independent so they can be freely rearranged as needs change.

Linked Desks are more economical than clustered desks, and involve shared legs or back-to-back legs that free up floor space. Since linked desks can distribute power throughout, services can be more cost effectively supplied from a single point to eight or more workplaces. Screens can be shared between back to back desks, but power components may need to be specified on both sides of screen for optimal access to outlets.

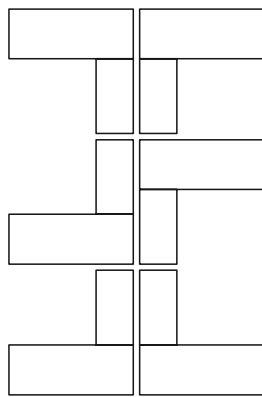
The Big Table is the most cost effective planning approach with Antenna Workspaces, combining efficient, dual sided power distribution, screens, storage support and desk support. Power and communications outlets and distribution are discreet yet easily accessible. Because desk returns can be attached anywhere, the big table is fully functional as the spine of a work group.

Antenna dual sided big tables can be planned in 120 degree configurations with 120 degree Antenna tops, intermediate legs for 120 degree, standard big table end legs, rails, center beams

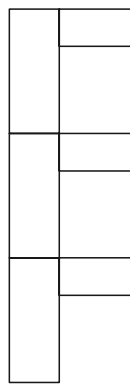
and power components. Whether it is a basic triad configuration or a larger dogbone six-pack layout, 120 degree worksurfaces provide a more space efficient way to plan a workspace.

Fence for Antenna can also serve as the structural spine of a cluster of desks, eliminating some legs. Since services can be accessed on both sides, fence power distribution can be more cost effective than with linked desks. Fence can also support storage cabinets and screens.

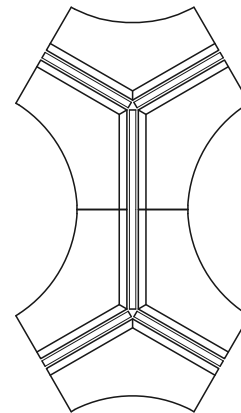
Template Storage System can also serve as the spine of a cluster of desks, eliminating some structural legs. Since power can be distributed through the base and terminated in outlets at desk height, power distribution can be more cost effective than with linked desks. Storage options within Template can be configured for access on both sides. Unique 27"D Antenna desks enable a wire drop and desk mounted screens to plan “within” Template’s centerline planning module.



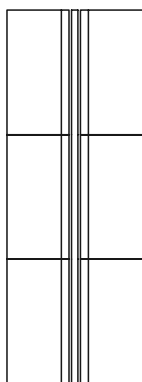
Clustered Desks



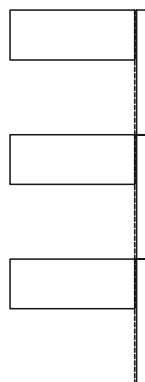
Linked Desks



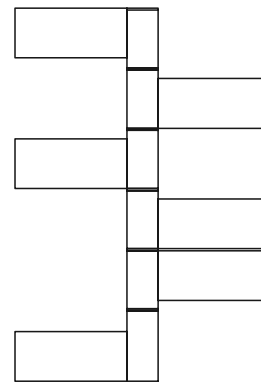
120 Degree Big Table



Big Table



Fence with Antenna Desks



Antenna Desks with Template Spine

Preconfigured Tables

Antenna Tables are available as complete kits including top, rails and legs. Preconfigured tables include round, square, rectangular and track shapes, in standard Antenna laminate, veneer, or glass top details, with painted or chrome finish legs. End legs for round, square and rectangle shapes are table desk end legs that capture the ends of the rails and enable knee space on all sides of desk height tables. Track shape tables are supported by standard Antenna end legs over which the rails extend to the ends of the top for maximum support.

Round tables in 42" diameter have a 27" square base, and tables in 48" diameter include a 30" square base. Round tables in 42" diameter are available in three heights: 18 1/2", 24 1/2", 28 1/2". The lowest height is coffee table height, suitable for reception or casual areas, the medium height is designed for use of portable electronics in casual work areas, and the highest is standard desk height. Round tables in 48" diameter are only available at desk height.

Square tables have table desk end legs at the corners. Square 30" tables are also available in three heights: 18 1/2", 24 1/2", 28 1/2". Square 36", 42" and 48" tables are only desk height.

Rectangular tables have table desk end legs flush with the short ends. Rectangular tables are available in classic 2 x 1 proportions, 48x24, 54x27, 60x30, 72x36, 84x42, all at standard desk height 28 1/2".

Rectangular shape tables other than these sizes can be assembled from components (tops, rails and legs specified separately).

Track shape tables have standard Antenna end legs inset 4 1/2" from each long side edge adjacent to the semi-circular ends of the top. Track shape tables are 72x36, 84x42 or 96x48, all at standard desk height 28 1/2".

All table legs include standard Antenna levelers with 1 1/2" continuous adjustment range.

Construction

Antenna tops are nominal 1 3/16" thick with a laminate or veneer surface finish. Laminate tops have a laminate top surface with an FSC-certified particle board core and a neutral tone backer sheet for balanced construction. Edges can match the top or contrast in color, in 2.8mm ABS with 2.4mm radius top and bottom edges. Front and back edges overlap ends with a 2.4 mm radius on outside corners.

Techwood and natural veneer tops have a veneer top surface, an FSC-certified particle board core and a neutral tone backer sheet for balanced construction. Veneer tops have matching finish 2.0mm solid veneer edges

on all sides. Top and bottom edges have a 2.0mm radius. Veneer grain direction is parallel to front edge on desk tops, and parallel to end on extension tops.

Glass tops are 1/2" thick with a slight radius on the top and bottom edges as well as the corners.

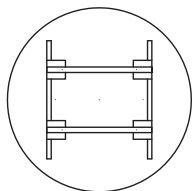
Rails are 1 1/4" square steel tube. End caps are die cast aluminum. Return adapters are die cast aluminum.

End legs are steel weldments with 1" square legs and a 2 1/2" horizontal rail. Legs include 2 1/2" levelers with 3/8" stems and continuous 1 1/2" adjustment range. Cradles and clamps are cast aluminum with countersunk fasteners into legs, mating parts and top.

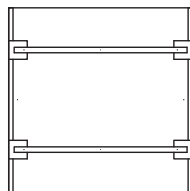
Specification Options

Table tops may be specified in any Antenna solid, pattern or woodgrain laminate, with matching or contrasting ABS edge in any Antenna Techwood or natural veneer with matching edge, or with a glass finish.

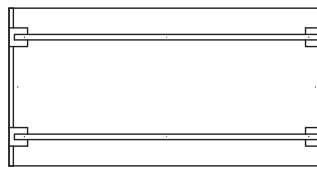
Glass finish options include Clear, Powder, Starfire Clear, Grey Tinted, Back Painted Black, and Back Painted White. Rails may be specified in any Antenna core or accent painted finish. Legs may be specified in any Antenna core or accent painted finish, with matching cradle finish, or in chrome with any Antenna paint finish for the cradles.



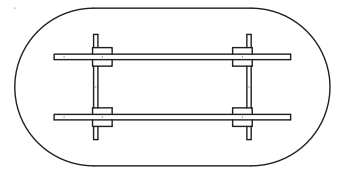
Round Table Plan View



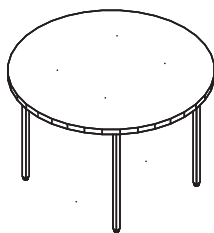
Square Table Plan View



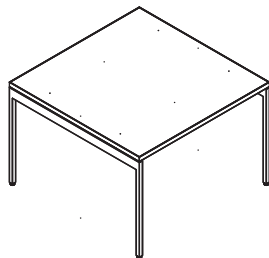
Rectangular Table Plan View



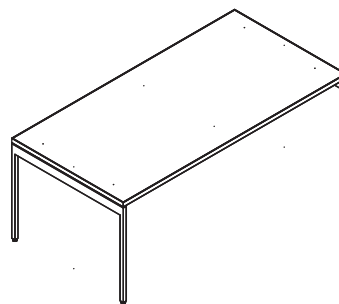
Track Shaped Table Plan View



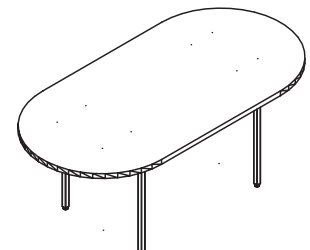
Round Table,
18", 24 1/2" or
28 1/2" High



Square Table,
18", 24 1/2" or
28 1/2" High



Rectangular Table,
28 1/2" High

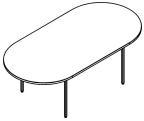

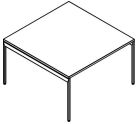
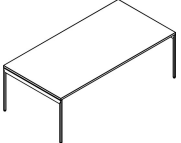


Track Shaped Table,
28 1/2" High

Antenna Leg Base Tables

Antenna Tops

Track, Round, Square and Rectangle

description	w	d	h	pattern no.	Laminate (L)	V1 (V)	V2 (V)	V3 (V)	Chrome Base Upcharge
 Tables with Track Shaped Antenna Tops	72"	36"	28 1/2"	YKTT7236D()	\$1,491.	\$2,544.	\$2,801.	\$3,396.	n/a
	84"	42"	28 1/2"	YKTT8442D()	1,606.	2,915.	3,225.	3,938.	n/a
	96"	48"	28 1/2"	YKTT9648D()	1,779.	3,314.	3,675.	4,507.	n/a
 Tables with Round Shaped Antenna Tops	42"	42"	18 1/2"	YKTR42L()	1,205.	2,318.	2,551.	3,084.	467.
	42"	42"	24 1/2"	YKTR42M()	1,205.	2,318.	2,551.	3,084.	467.
	42"	42"	28 1/2"	YKTR42D()	1,205.	2,318.	2,551.	3,084.	467.
	48"	48"	28 1/2"	YKTR48D()	1,320.	2,445.	2,694.	3,268.	477.
 Tables with Square Shaped Antenna Tops	30"	30"	18 1/2"	YKTS3030L()	1,038.	1,305.	1,383.	1,596.	477.
	30"	30"	24 1/2"	YKTS3030M()	1,038.	1,305.	1,383.	1,596.	477.
	30"	30"	28 1/2"	YKTS3030D()	1,038.	1,305.	1,383.	1,596.	477.
	36"	36"	28 1/2"	YKTS3636D()	1,132.	1,403.	1,491.	1,729.	567.
	42"	42"	28 1/2"	YKTS4242D()	1,241.	1,621.	1,746.	2,052.	619.
	48"	48"	28 1/2"	YKTS4848D()	1,350.	1,844.	1,987.	2,368.	685.
 Tables with Rectangle Shaped Antenna Tops	48"	24"	28 1/2"	YKTS4824D()	1,098.	1,361.	1,444.	1,667.	370.
	54"	27"	28 1/2"	YKTS5427D()	1,210.	1,484.	1,576.	1,827.	467.
	60"	30"	28 1/2"	YKTS6030D()	1,340.	1,569.	1,663.	1,958.	477.
	72"	36"	28 1/2"	YKTS7236D()	1,449.	1,727.	1,861.	2,182.	567.
	84"	42"	28 1/2"	YKTS8442D()	1,729.	1,934.	2,066.	2,424.	619.

Ordering Information

- Tables**
1. Pattern Number
 2. Top Finish
 3. Edge Finish (for laminate tops only)
 4. Rail Paint Finish
 5. Cradle Paint Finish (for chrome legs only)
 6. Leg Paint Finish

Order Code

Tables

Example: **YKTS3030DL, 118T, 118T, 118T, 118T**

YK	Table Kit
TS	Antenna Square Top
30	Depth
30	Width
D	Desk Height
L	Laminate
118T	Bright White Top
118T	Bright White Edge
118T	Bright White Paint
118T	Bright White Paint
118T	Bright White Paint

Included With

- Tables**
- Antenna Top
 - (2) Rails
 - (2) End Legs
 - (4) Cradles
 - (4) Leveling Glides
 - Attachment Hardware

Options

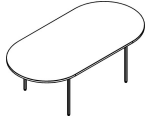
- Table**
- Top Finish Options:**
(L) = Laminate
(V) = Veneer
- Leg Finish Options:**
- End Legs are available in Knoll core paints, Dark Red (130) and Slate blue (131) paint finishes, as well as polished chrome (PD) finish.
- Add the chrome base upcharge to the table list price when the table base is specified with a chrome finish.
- Chrome base is not available on track shaped tables.

Antenna Leg Base Tables

Glass Tops

Track, Round, Square and Rectangle

description	w	d	h	pattern no.	Clear Glass (TEMP)	Powder Glass (GL13)	Starfire Clear Glass (GL85)	Grey Glass (GL35)	Back Painted Black Glass (GL11)	Back Painted White Glass (GL45)	Chrome Base Upchg.
Tables with Track Shaped Glass Tops	72"	36"	28 1/2"	YKTT7236DG	\$3,921.	\$4,923.	\$5,369.	\$6,355.	\$7,419.	\$7,419.	n/a
	84"	42"	28 1/2"	YKTT8442DG	4,344.	5,703.	6,316.	7,430.	9,112.	9,112.	n/a
	96"	48"	28 1/2"	YKTT9648DG	4,824.	6,595.	7,408.	8,678.	11,039.	11,039.	n/a



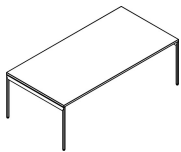
Tables with Round Shaped Glass Tops	42"	42"	18 1/2"	YKTR42LG	2,752.	3,431.	3,737.	4,456.	5,403.	5,403.	467.
	42"	42"	24 1/2"	YKTR42MG	2,752.	3,431.	3,737.	4,456.	5,403.	5,403.	467.
	42"	42"	28 1/2"	YKTR42DG	2,752.	3,431.	3,737.	4,456.	5,403.	5,403.	467.
	48"	48"	28 1/2"	YKTR48DG	3,041.	3,927.	4,322.	5,114.	6,149.	6,149.	477.



Tables with Square Shaped Glass Tops	30"	30"	18 1/2"	YKTS3030LG	2,084.	2,428.	2,584.	3,565.	3,297.	3,297.	477.
	30"	30"	24 1/2"	YKTS3030MG	2,084.	2,428.	2,584.	3,565.	3,297.	3,297.	477.
	30"	30"	28 1/2"	YKTS3030DG	2,084.	2,428.	2,584.	3,565.	3,297.	3,297.	477.
	36"	36"	28 1/2"	YKTS3636DG	2,272.	2,775.	2,997.	4,010.	4,022.	4,022.	567.
	42"	42"	28 1/2"	YKTS4242DG	2,551.	3,231.	3,537.	4,624.	4,935.	4,935.	619.
	48"	48"	28 1/2"	YKTS4848DG	2,780.	3,665.	4,066.	5,224.	5,893.	5,893.	685.



Tables with Rectangle Shaped Glass Tops	48"	24"	28 1/2"	YKTS4824DG	1,943.	2,389.	2,589.	2,869.	3,497.	3,497.	370.
	54"	27"	28 1/2"	YKTS5427DG	2,245.	2,807.	3,064.	3,420.	4,211.	4,211.	467.
	60"	30"	28 1/2"	YKTS6030DG	2,841.	3,532.	3,844.	4,311.	5,270.	5,270.	477.
	72"	36"	28 1/2"	YKTS7236DG	3,191.	4,188.	4,645.	5,257.	6,684.	6,684.	567.
	84"	42"	28 1/2"	YKTS8442DG	3,948.	5,503.	6,205.	6,539.	9,379.	9,379.	619.



Ordering Information

Tables

1. Pattern Number
2. Top Finish
3. Rail Paint Finish
4. Cradle Paint Finish (for chrome legs only)
5. Leg Paint Finish

Order Code

Tables

Example: **YKTS4824DG, TEMP, 118T, 118T, 118T**

YK	Table Kit
TS	Antenna Square Top
48	Depth
24	Width
D	Desk Height
G	Glass
TEMP	Clear Glass
118T	Bright White Rails
118T	Bright White Cradles
118T	Bright White Legs

Included With

Tables

- Glass Top
- (2) Rails
- (2) End Legs
- (4) Cradles
- (4) Leveling Glides
- Attachment Hardware

Options

Table

Glass Top Finish Options:

Add finish option as suffix to pattern number:

- (TEMP) = Clear Glass
- (GL13) = Powder Glass
- (GL85) = Starfire Clear Glass
- (GL35) = Grey Tinted Glass
- (GL11) = Back Painted Black Glass
- (GL45) = Back Painted White Glass

Leg Finish Options:

End Legs are available in Knoll core paints, Dark Red (130) and Slate blue (131) paint finishes, as well as polished chrome (PD) finish.

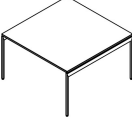
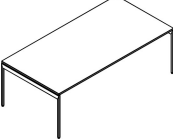
Add the chrome base upcharge to the table list price when the table base is specified with a chrome finish.

Chrome base is not available on track shaped tables.

Antenna Leg Base Tables

Overlay Tops

Square and Rectangle

description	width	depth	height	pattern number	Color Core Laminate (C)	V1 (V)	V2 (V)	V3 (V)	Chrome Base Upcharge
 Tables with Square Shaped Overlay Tops	30"	30"	18 1/2"	YKPTS3030L()	\$2,465.	\$1,909.	\$2,076.	\$2,465.	\$477.
	30"	30"	24 1/2"	YKPTS3030M()	2,465.	1,909.	2,076.	2,465.	477.
	30"	30"	28 1/2"	YKPTS3030D()	2,465.	1,909.	2,076.	2,465.	477.
	36"	36"	28 1/2"	YKPTS3636D()	2,624.	2,025.	2,207.	2,624.	567.
	42"	42"	28 1/2"	YKPTS4242D()	2,796.	2,159.	2,353.	2,796.	619.
	48"	48"	28 1/2"	YKPTS4848D()	2,943.	2,265.	2,471.	2,943.	685.
 Tables with Rectangle Shaped Overlay Tops	48"	24"	28 1/2"	YKPTS4824D()	2,534.	1,961.	2,134.	2,535.	370.
	54"	27"	28 1/2"	YKPTS5427D()	2,725.	2,105.	2,294.	2,725.	467.
	60"	30"	28 1/2"	YKPTS6030D()	2,854.	2,196.	2,396.	2,854.	477.
	72"	36"	28 1/2"	YKPTS7236D()	3,067.	2,348.	2,670.	3,067.	567.
	84"	42"	28 1/2"	YKPTS8442D()	3,384.	2,610.	2,844.	3,384.	619.

Ordering Information

Tables

1. Pattern Number
2. Top Finish
3. Edge Finish
(for laminate tops only)
4. Rail Paint Finish
5. Cradle Paint Finish
(for chrome legs only)
6. Leg Paint Finish

Order Code

Tables

Example: **YKPTS3030DL, 311, V440, 118T, 118T, 118T**

YK	Table Kit
PTS	Overlay Square Top
30	Depth
30	Width
D	Desk Height
C	Color Core Laminate
311	Solid Gallery White Top
V440	Natural Hemlock Edge
118T	Bright White Paint
118T	Bright White Paint

Included With

Tables

- Antenna Top
- (2) Rails
- (2) End Legs
- (4) Cradles
- (4) Leveling Glides
- Attachment Hardware

Options

Table

Top Finish Options:
(C) = Color Core Laminate
(V) = Veneer

Leg Finish Options:

Table Desk End Legs are available in Knoll core paints, Dark Red (130) and Slate blue (131) paint finishes, as well as polished chrome (PD) finish.

Add the chrome base upcharge to the table list price when the table base is specified with a chrome finish.

Antenna Y-base Tables

Antenna Y-base tables offer unobstructed kneespace and advanced cable management in compact shapes designed for small workstations and meeting spaces. Y-base tables combine standard detail laminate or veneer Antenna tops with a grommet centered over posts with an integral wire management channel and a low profile, three-spoke "Y" base or "bowtie" shape base.

Round tables 36" in diameter are available in three heights of Y-shape bases: 24½" medium height, 28½" desk height and 36½" standing height. The lowest of these is suitable for use of portable electronics in casual work areas. Round tables 42" in diameter are available in 24½" medium height and 28½" desk height only. Base spokes extend to align with the perimeter of the top.

Track shape tables 72" x 36" and 84" x 42" are available in two heights of bowtie-shape bases with two columns: 28½" desk height and 36½" standing height.

Rectangular top tables 72" x 36" and 84" x 42" are available in two heights of the same bowtie-shape bases as track-shape tables: 28½" desk height and 36½" standing height.

Construction

Antenna tops are nominal 1³/₁₆" thick with a laminate or veneer surface finish. Laminate tops have a laminate top surface with an FSC-certified particle board core and a neutral tone backer sheet for a balanced construction. Edges can match the top or contrast in color, in 2.8mm ABS with 2.4mm radius tops and bottom edges. Long edges of rectangular tops overlap side edges with a 2.4mm radius on outside corners.

Techwood and natural veneer tops have a veneer top surface, an FSC-certified particle board core and a neutral tone backer sheet for balanced constructions. Veneer tops have matching finish 2.0mm solid veneer or ABS edges on all sides. Top and bottom edges have a 2.0mm radius. Veneer grain direction is parallel to long sides of track shape and rectangular tops.

Round tables in 36" diameter include a formed steel, three-prong top plate, 2½" diameter aluminum center post with vertical wire manager and removable aluminum access cover, solid hub weldment, and three 1¼" square steel tube base spokes with end caps. Track shape and rectangular tables 36" x 72" include two 2½" center posts, joined with hub weldments to two spokes and a 1¼" square steel tube stretcher between posts. Each spoke includes a 1½" leveler with 3⁄8" stems and continuous ¾" adjustment range.

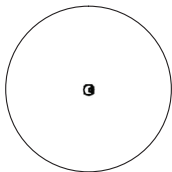
Round tables in 42" diameter include a steel, three-prong top plate, 3" diameter aluminum center post with vertical wire manager and removable aluminum access cover, solid hub weldment, and three 1½" square steel tube base spokes with end caps. Track shape and rectangular tables 42" x 84" include two 3" diameter center posts, joined with hub weldments to two spokes and a 2½" square steel tube stretcher between posts. Each spoke includes a 1½" leveler with 3⁄8" stems and continuous ¾" adjustment range.

Specification Options

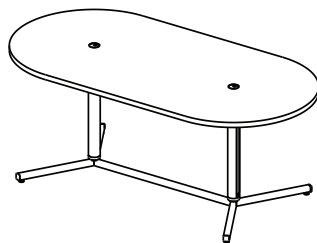
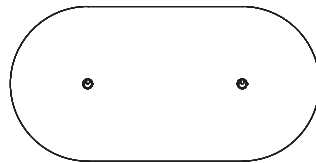
Table tops may be specified in any Antenna solid, pattern or woodgrain laminate, with matching or contrasting ABS edge, or in any Antenna Techwood or natural veneer with matching solid veneer or ABS edge. Round tops may be specified with or without 2" dia. center grommet, in painted aluminum liner and flush round cap with mousehole. Track and rectangular shapes may be specified with or without two grommets centered over posts.

Top plate is painted black. Base column, spokes and stretchers may be specified in any standard Antenna painted finish.

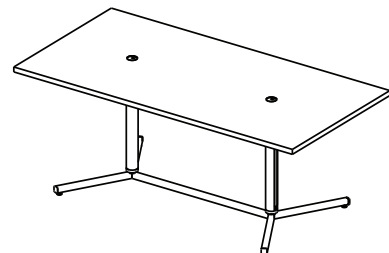
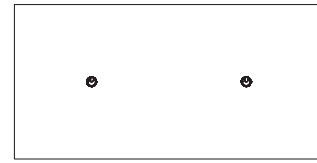
Grommet may be specified in any standard Antenna painted finish.



Round Table, 36" or 42"
Top in Medium, Desk
Height or Standing Height



Track Shape Table,
36" x 72" or 42" x 84" Top in
Desk or Standing Height



Rectangular Top Table,
72" x 36" or 84" x 42" Top in
Desk or Standing Height

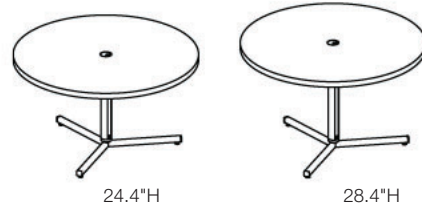
Y-base tables

Planning Guidelines and Specifications

36" Round in Medium, Desk Height and Standing Height



42" Round in Medium and Desk Heights



36" x 72" and 42" x 84" Track Shapes in Desk and Standing Heights



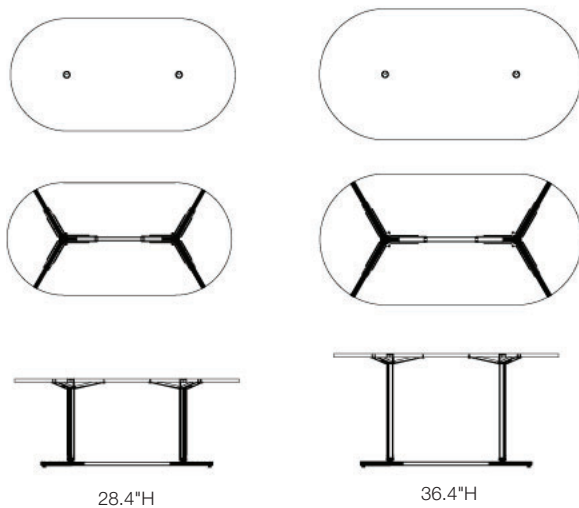
72" x 36" and 84" x 42" Rectangles in Desk and Standing Heights



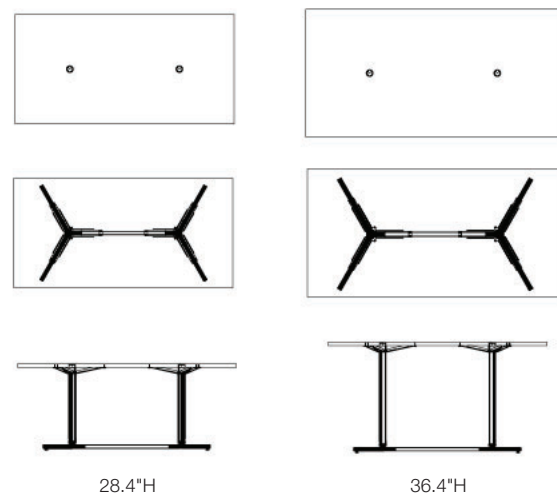
Elevation View of 36" Diameter Table at Medium, Desk and Standing Height



Track Shape Tables, 36" x 72", 42" x 84" in Desk Height and Standing Height





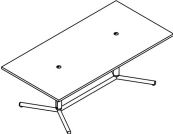
Rectangular Tables, 72 x 36", 84 x 42", in Desk Height and Standing Height



Y-base tables

Antenna tops

Round, track and rectangle

description	type	w	d	h	pattern no.	Laminate (L)	V1 (V)	V2 (V)	V3 (V)	
Tables with Round Shape Antenna Tops 	medium height	36" dia.		24 1/2"	YKTR36YMG	\$1,300.	\$2,785.	\$2,838.	\$3,156.	
		42" dia.		24 1/2"	YKTR42YMG	1,617.	3,103.	3,183.	3,527.	
	desk height	36" dia.		28 1/2"	YKTR36YDG	1,353.	2,838.	2,891.	3,209.	
		42" dia.		28 1/2"	YKTR42YDG	1,671.	3,156.	3,236.	3,580.	
	standing height	36" dia.		36 1/2"	YKTR36YHG	1,432.	2,917.	2,970.	3,289.	
	Tables with Track Shape Antenna Tops 	desk height	72"	36"	28 1/2"	YKTT7236YDG	2,705.	4,005.	4,085.	4,588.
84"			42"	28 1/2"	YKTT8442YDG	3,395.	4,615.	4,721.	5,358.	
standing height		72"	36"	36 1/2"	YKTT7236YHG	2,865.	4,164.	4,244.	4,748.	
		84"	42"	36 1/2"	YKTT8442YHG	3,554.	4,774.	4,880.	5,517.	
Tables with Rectangle Shape Antenna Tops 		desk height	72"	36"	28 1/2"	YKTS7236YDG	2,599.	2,812.	2,917.	3,395.
			84"	42"	28 1/2"	YKTS8442YDG	3,156.	3,395.	3,554.	4,190.
	standing height	72"	36"	36 1/2"	YKTS7236YHG	2,758.	2,970.	3,183.	3,660.	
		84"	42"	36 1/2"	YKTS8442YHG	3,315.	3,554.	3,713.	4,350.	

Ordering Information

Tables

1. Pattern Number
2. Grommet / no grommet
3. Top surface type
4. Top finish
5. Edge Finish (for laminate tops only)
6. Base finish (paint)
7. Grommet finish (paint)

Order Code

Tables

Example: **YKTR36YMG**L, **118T**, **118T**, **118T**, **118T**

YK	Antenna Assembly
T	Antenna Square Top
R	Shape
36	Size
Y	Base Type
L	Laminate
118T	Bright White Top
118T	Bright White Edge
118T	Bright White Base
118T	Bright White Grommet

Included With

Tables

Antenna Top
 Top plate(s)
 Center post
 Base spokes
 Levelers
 Attachment Hardware

Options

Table

(G) Grommet(s)
 (N) No grommet
 For no grommets, deduct \$25 for round. Deduct \$50 for track shape and rectangle tops

Top Finish Options:

(L) = Laminate
 (V) = Veneer

Top may be specified in any Knoll core laminate or veneer.

Leg Finish Options:

End Legs are available in Knoll core paints, Dark Red (130) and Slate blue (131) paint finishes.

Media Enclave

Planning Guidelines and Specifications

Media Enclave is a complete Antenna Workspaces activity space for small group meetings of three or four participants. Media Enclaves are ready to accept center beam mounted Sapper post with TV, and can discreetly manage collaborative technology to link meeting participants. Media Enclave facilitates change in technology or even reconfiguration into other sizes of work space.

Media Enclave is preconfigured from standard Antenna big table components for ease of ordering and planning. Media Enclave kits include table, table with end panel, and power for either table, each orderable with a single pattern number.

Media Enclave table includes two 60" x 24" tops with full width hinged access, an 18" x 53 1/2" extension top, two end legs, rails, center beam, beam top and end caps and beam mounted cable holders, 39" x 12" cable basket and all hardware for assembly. Media Enclave table plans as overall 78"W x 53 1/2"D x 28 1/2"H.

Media Enclave with End Panel includes 56"H x 53 1/2"W x 1 1/4" thick end panel in laminate surface, in addition to tops, end legs, rails, center beam, top cap, end cap and cable holders, cable basket and attachment hardware.

Media Enclave power kit mounts directly under center beam and includes power harness and covers, four duplex outlets on one circuit, and power infeed cable with pigtail to be field hardwired to a code approved junction box (not included).

Construction

Tops and full width hinged surfaces are 1 3/16" thick with a laminate top surface, FSC-certified particle board core and a neutral tone backer sheet for balanced construction. Edgeband in 2.8mm ABS matches the top in color, with 2.4mm radii on top and bottom edges.

Rails are powder-coat painted 1 1/4" square steel tube with die cast aluminum end caps. Center beam is powder coat painted aluminum extrusion with continuous slots on front, back and underside for attachments and a center slot for attaching Sapper monitor masts, platform and other accessories. Beam end caps are painted steel.

End legs are steel weldments with 1" square legs and a 2 1/2" horizontal rail. Legs include 2 1/2" levelers with 3/8" stems and continuous 1 1/2" adjustment range. Legs include cradles and rail clamps in cast aluminum with countersunk fasteners into legs, mating parts and tops.

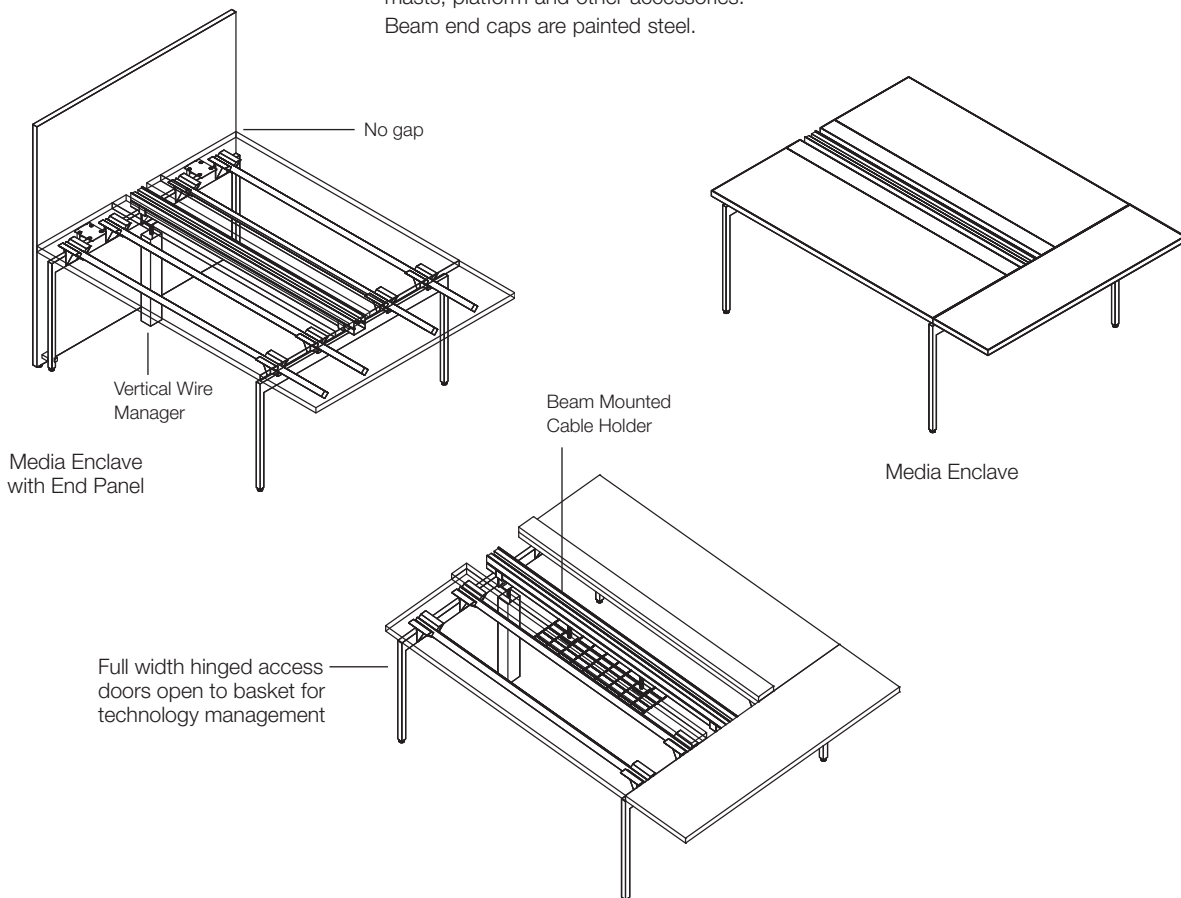
End panels are 1 3/16" thick with two laminate surfaces on FSC-certified particle board core. Edgeband in 2.8mm ABS matches the faces in color, with 2.4mm radii on top and vertical edges.

Specification Options

Table tops may be specified in any Antenna solid laminate, with matching ABS edges. End panel can be specified in the same laminate as tops or in a contrasting laminate.

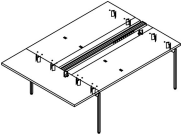
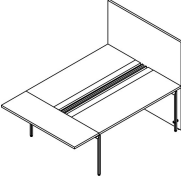
Legs and rails may be specified in any Antenna core paint finish. Center beam and end caps can be specified in the same or contrasting Antenna core paint finish.

Specify power components kit separately.



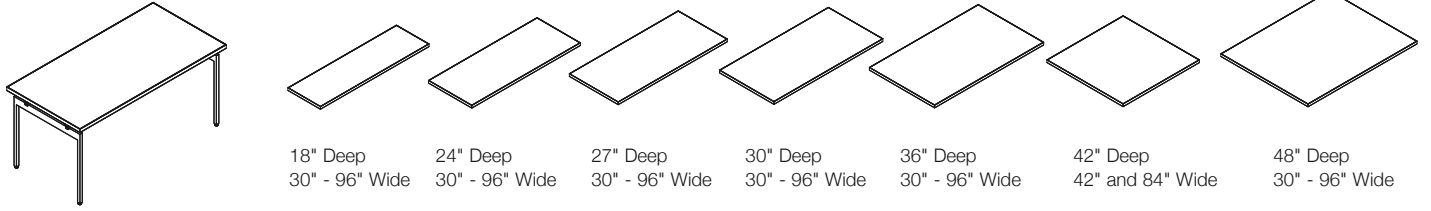
Media Enclave

Antenna tops laminate only

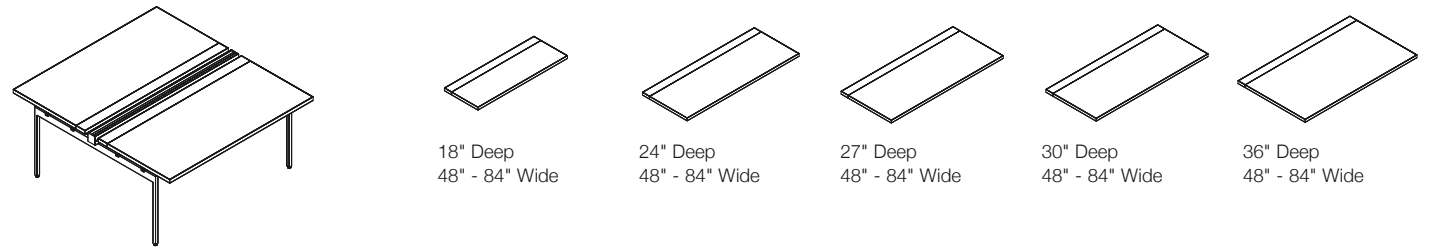
description	w	d	h	pattern no.	L	LM
Media enclave 	78"	53 1/2"	28 1/2"	YKME7854NE	\$4,219.	
Media enclave with end panel 	78"	53 1/2"	56"	YKME7854HE	5,084.	5,306.
Power kit for media enclave				YKME4DA	640.	

Ordering Information	Order Code	Included With	Options
Media Enclave 1. Pattern Number 2. Top finish 3. Edge Finish (matches top finish) 4. Center beam finish 5. Base finish	Media Enclave <i>Example:</i> YKME7854NEL 118,118,118,118 YK Antenna Assembly ME Media Enclave 78 Width 54 Depth NE No end panel L Laminate 118 Top laminate 118 Top edge 118 Center beam finish 118 Base finish	Media Enclave Antenna Top Center beam End Legs Rails Connecting Hardware End panel (if applicable)	Media Enclave HE high end panel NE no end panel Top Finish Options: (L) = Laminate Top may be specified in any Knoll core laminate with matching edge. Leg Finish Options: Legs may be specified in any Knoll core paints, Dark Red (130) and Slate blue (131) paint finishes.

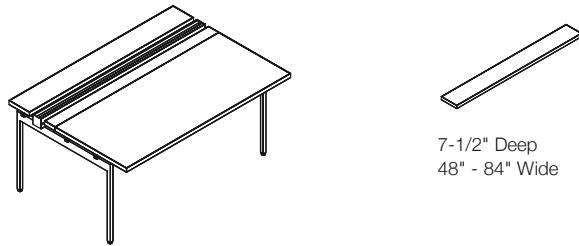
Rectangular Tops for Desks or Big Tables



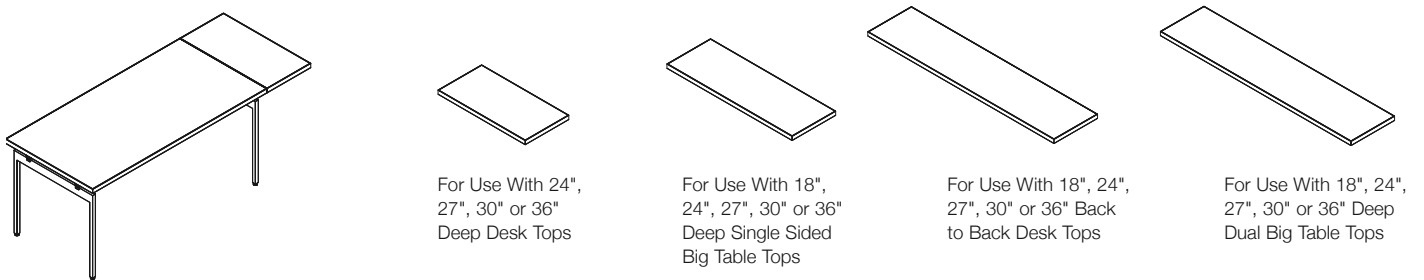
Rectangular with Hinged Access Tops for Big Tables



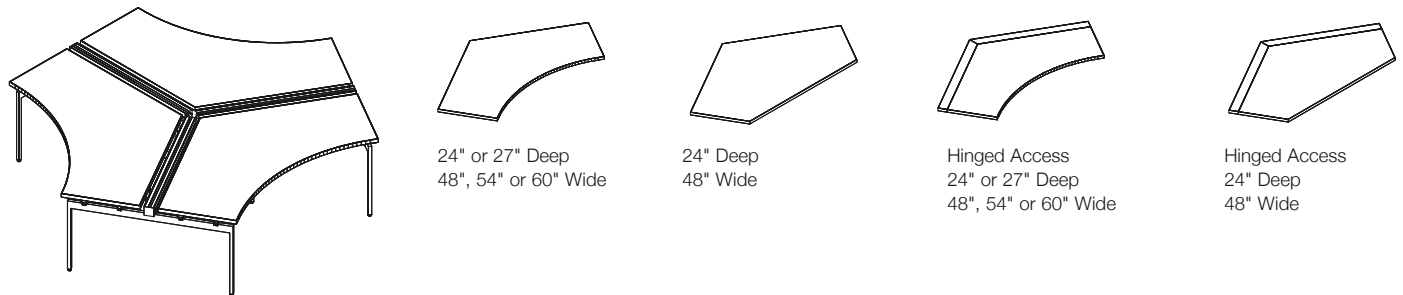
Back Tops for Single Sided Big Table



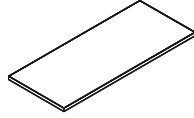
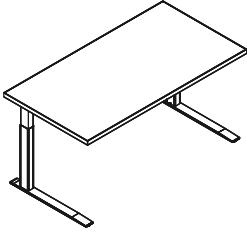
Extension Tops for Desks or Big Tables



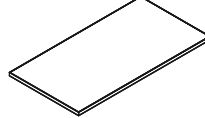
120 Degree Tops for Big Tables



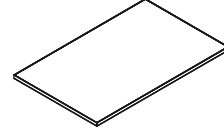
C-Leg and T-Leg Table Tops



24" Deep
36" - 72" Wide

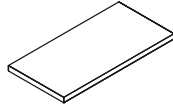
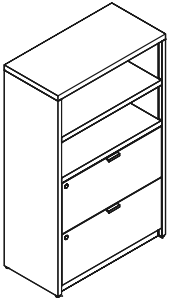


30" Deep
36" - 72" Wide

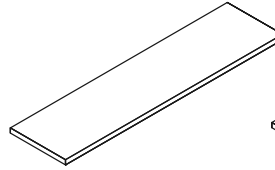


36" Deep
48" - 72" Wide

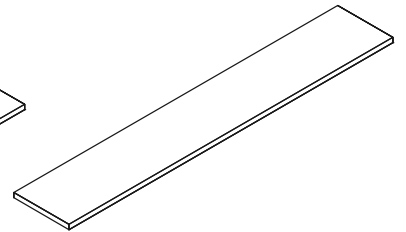
Full Width Template Tops



Single Unit Cases
24" - 48" Wide

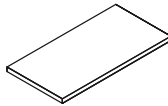
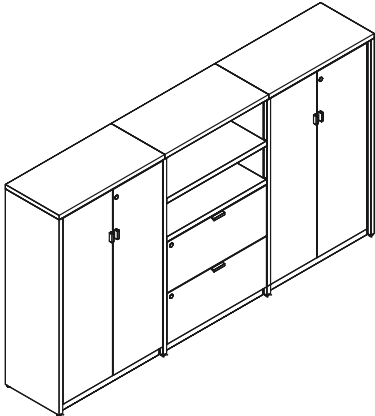


Double Unit Cases
48" - 96" Wide

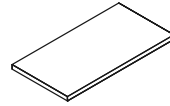


Triple Unit Cases
72" - 96" Wide

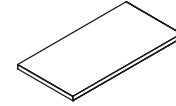
End and Mid Position Template Tops



End Position,
Single Unit Cases
18" - 48" Wide

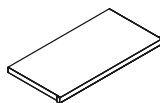
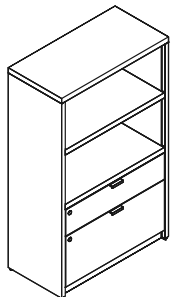


End Position,
Multiple Unit Cases
60" - 96" Wide

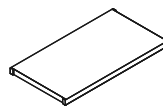


Mid Position
24" - 48" Wide

Template Worksurface Shelves



Single-Sided
18" - 72" Wide



Dual-Sided
18" - 72" Wide

Tops

Tops

Tops for Antenna Workspaces are the central element in any type of planning. Tops are available in two types: Antenna tops, in laminate or veneer, and Overlay tops, in laminate or veneer top surface with solid wood edge.

Antenna Tops

Antenna tops are designed in straightforward rectangular shapes optimized for stand-alone applications as well as linking side by side or at right angles, or in big tables. Tops are universal in application as tables, desks, returns, or bridges.

Tops for desks or tables are full dimension, 18", 24", 27", 30", 36", 42" and 48" depths, and available in every 6" increment of width from 30"-96". 18" deep tops are for return or bridge applications. Tops 18"-36" deep in widths from 48"-84" can also be planned in big table applications.

Tops with hinged access are dedicated to big table applications, with a full width 3 3/4" deep hinged section for easy access to outlets and wire management below the center beam. Hinged access tops are available in 18", 24", 27", 30" and 36" overall depths and widths from 48"-84" in all 6" increments.

Back tops are specified for single sided big tables. They are 7.5" deep and match desk widths in 6" increments from 48"-84". Back tops are supported by a single rail on the other side of the center beam from the primary top.

Extension tops plan at the end of a desk, back to back desks or big table. They are 15" wide and match desks 24", 27", 30" or 36" deep. Extension tops for back to back desks are 15" wide and match tops 18", 24", 27", 30" or 36" deep with overall depths of 39-3/4", 51 3/4", 57 3/4", 63 3/4" or 75 3/4". Extension tops for dual big tables are 15" or 18" wide and match overall dual big table depths of 41 1/2", 53 1/2", 59 1/2", 65 1/2" and 77 1/2". Extension tops 15" wide are also available for single sided 18", 24", 27", 30" or 36" deep big tables with overall depth of 31", 37", 40", 43", or 49". Extension tops can be planned in the same or contrasting surface finish as adjacent laminate or veneer tops. Desk and big table connector kits and rails 12" wider than the adjacent top are needed for 15" wide extension top, or 15" wider for 18" wide extension top.

Construction

Antenna tops are nominal 1 3/16" thick with a laminate or veneer surface finish.

Laminate tops have a laminate top surface with an FSC-certified particle board core and

a neutral tone backer sheet for balanced construction. Edges can match the top or contrast in color, in 2.8mm ABS with 2.4mm radius top and bottom edges.

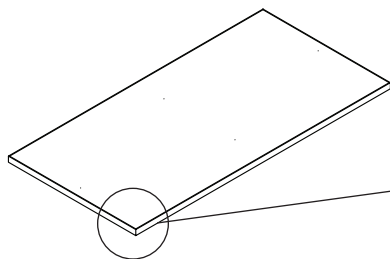
Front and back edges overlap ends with a 2.4 mm radius on outside corners. Acrylonitrile Butadiene Styrene (ABS) is a polymer used as an alternative to PVC and rubber. It is phthalate-free, flame retardant, has high heat and impact resistance, good processability, dimensional stability and high gloss.

Techwood and natural veneer tops have a veneer top surface, an FSC-certified particle board core and a neutral tone backer sheet for balanced construction. Veneer tops have matching finish 2.0mm solid veneer edges on all sides. Top and bottom edges have a 2.0mm radius. Veneer grain direction is parallel to front edge on desk tops, and parallel to end on extension tops.

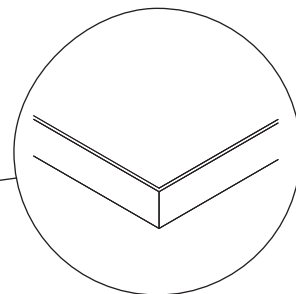
All tops have pilot holes for the two most common mounting conditions for desk legs and return connections: legs inset 1 1/2" or 5 1/2" from the both ends of the top.

Specification Options

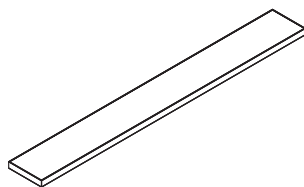
Tops available in any Knoll core laminate or veneer finish. For laminate tops, specify edgeband to match any Knoll core laminate. For veneer tops, edge must match top.



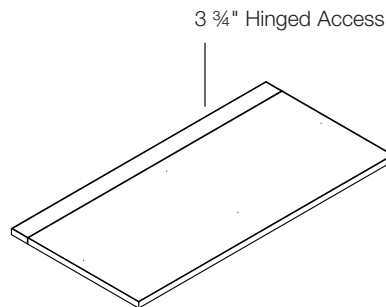
Antenna Top



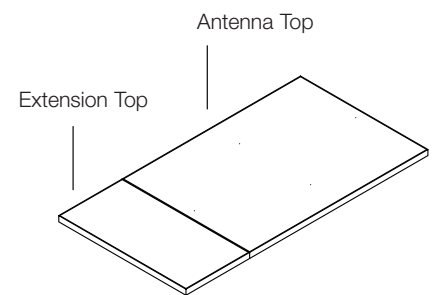
Antenna Top End Elevation



Back Top for Single Sided Big Table



Antenna Hinged Access Top

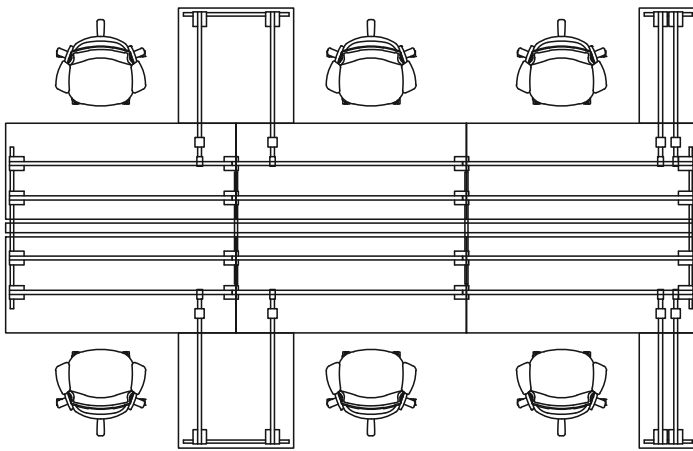


Antenna Desk Top with Extension Top

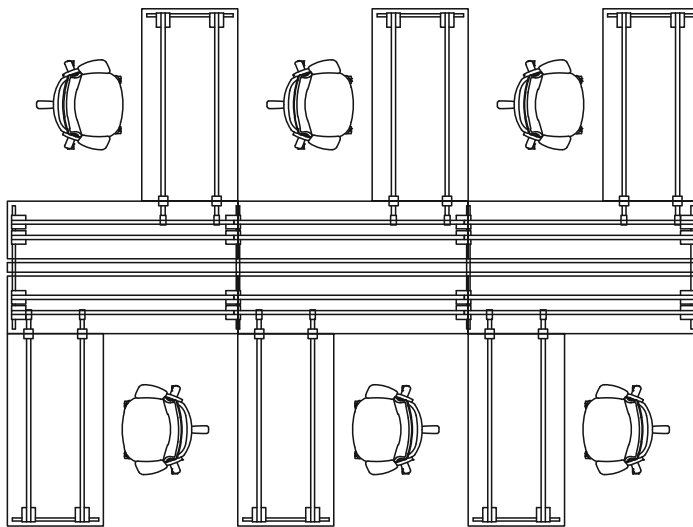
Return Top Applications

Antenna tops of any depth can serve as returns for desks or big tables at any point. For example 36", 42" or 48" deep tops can be a cost-effective shared return centered on adjacent linked desks or big table tops. These can be supported by a single pair of return rails and a desk end leg or table desk end leg.

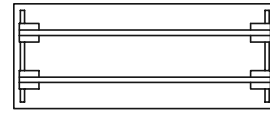
In another type of planning, 27" or 30" deep tops can become individual, primary desk surfaces as returns off of a 24" deep big table "spine".



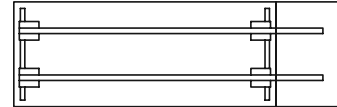
30" Deep Dual Sided Big Table with Returns as Secondary Workspaces



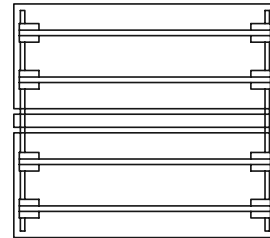
18" Deep Dual Sided Big Table with Returns as Primary Workspaces



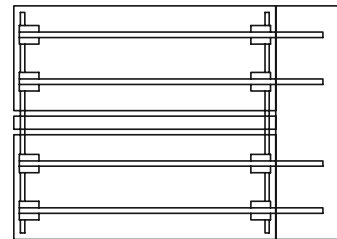
Rectangular Table



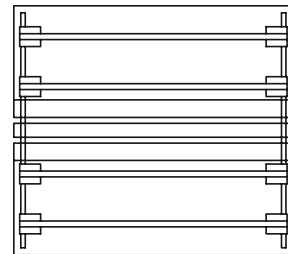
Rectangular Desk with Extension Top



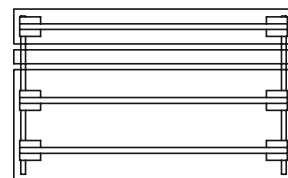
Dual Sided Big Table



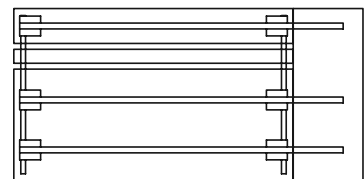
Dual Sided Big Table with Extension Top



Dual Sided Big Table with Hinged Access Tops



Single Sided Big Table





Single Sided Big Table with Extension Top

Tops

Antenna Tops For Desks or Big Tables

18" and 24" Deep Rectangular

description	w	d	h	pattern no.	Laminate (L)	V1 (V)	V2 (V)	V3 (V)
Antenna Tops, 18" Deep Rectangular 	30"	18"	1 1/4"	YT3018	\$179.	\$407.	\$467.	\$632.
	36"	18"	1 1/4"	YT3618	201.	429.	494.	667.
	42"	18"	1 1/4"	YT4218	233.	453.	521.	703.
	48"	18"	1 1/4"	YT4818	259.	470.	541.	731.
	54"	18"	1 1/4"	YT5418	275.	493.	569.	766.
	60"	18"	1 1/4"	YT6018	299.	517.	596.	802.
	66"	18"	1 1/4"	YT6618	322.	539.	620.	838.
	72"	18"	1 1/4"	YT7218	340.	563.	647.	873.
	78"	18"	1 1/4"	YT7818	365.	584.	673.	909.
	84"	18"	1 1/4"	YT8418	384.	614.	705.	953.
	90"	18"	1 1/4"	YT9018	427.	643.	734.	995.
96"	18"	1 1/4"	YT9618	474.	665.	763.	1,029.	
Antenna Tops, 24" Deep Rectangular 	30"	24"	1 1/4"	YT3024	207.	443.	508.	687.
	36"	24"	1 1/4"	YT3624	231.	464.	535.	722.
	42"	24"	1 1/4"	YT4224	264.	488.	562.	757.
	48"	24"	1 1/4"	YT4824	295.	510.	586.	793.
	54"	24"	1 1/4"	YT5424	320.	544.	626.	846.
	60"	24"	1 1/4"	YT6024	345.	579.	666.	900.
	66"	24"	1 1/4"	YT6624	373.	603.	693.	935.
	72"	24"	1 1/4"	YT7224	388.	625.	720.	971.
	78"	24"	1 1/4"	YT7824	418.	654.	753.	1,017.
	84"	24"	1 1/4"	YT8424	443.	684.	785.	1,061.
	90"	24"	1 1/4"	YT9024	498.	711.	818.	1,105.
96"	24"	1 1/4"	YT9624	542.	739.	851.	1,149.	

Ordering Information

Antenna Tops

1. Pattern Number
2. Top Finish
3. Edge Finish
(for laminate tops only)

Order Code

Antenna Tops

Example: **YT7824, 118, 118**

YT	Pattern Number
78	Width
24	Depth
118	Bright White Top
118	Bright White Edge

Included With

Antenna Tops

Options

Antenna Tops

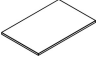

Top Finish Options:

Add an (L) for laminate or (V) for veneer suffix to pattern number.

Specify 18" deep tops for return or bridge applications only.

Antenna Tops For Desks or Big Tables

27" and 30" Deep Rectangular

description	w	d	h	pattern no.	Laminate (L)	V1 (V)	V2 (V)	V3 (V)
Antenna Tops, 27" Deep Rectangular 	30"	27"	1 1/4"	YT3027	\$233.	\$459.	\$528.	\$713.
	36"	27"	1 1/4"	YT3627	259.	488.	562.	757.
	42"	27"	1 1/4"	YT4227	289.	510.	586.	793.
	48"	27"	1 1/4"	YT4827	320.	539.	620.	838.
	54"	27"	1 1/4"	YT5427	356.	574.	660.	890.
	60"	27"	1 1/4"	YT6027	387.	608.	699.	944.
	66"	27"	1 1/4"	YT6627	425.	625.	720.	971.
	72"	27"	1 1/4"	YT7227	445.	648.	747.	1,006.
	78"	27"	1 1/4"	YT7827	475.	676.	779.	1,051.
	84"	27"	1 1/4"	YT8427	504.	705.	811.	1,096.
	90"	27"	1 1/4"	YT9027	552.	739.	851.	1,149.
96"	27"	1 1/4"	YT9627	598.	769.	885.	1,193.	
Antenna Tops, 30" Deep Rectangular 	30"	30"	1 1/4"	YT3030	259.	483.	554.	749.
	36"	30"	1 1/4"	YT3630	285.	517.	596.	802.
	42"	30"	1 1/4"	YT4230	312.	534.	614.	828.
	48"	30"	1 1/4"	YT4830	345.	574.	660.	890.
	54"	30"	1 1/4"	YT5430	392.	608.	699.	944.
	60"	30"	1 1/4"	YT6030	431.	643.	738.	997.
	66"	30"	1 1/4"	YT6630	481.	654.	753.	1,017.
	72"	30"	1 1/4"	YT7230	498.	677.	779.	1,051.
	78"	30"	1 1/4"	YT7830	533.	705.	811.	1,096.
	84"	30"	1 1/4"	YT8430	566.	734.	845.	1,141.
	90"	30"	1 1/4"	YT9030	608.	769.	885.	1,193.
96"	30"	1 1/4"	YT9630	651.	797.	916.	1,238.	

Tops

Ordering Information

Antenna Tops

1. Pattern Number
2. Top Finish
3. Edge Finish
(for laminate tops only)

Order Code

Antenna Tops

Example: **YT7827, 118, 118**

YT Pattern Number

78 Width

27 Depth

118 Bright White Top

118 Bright White Edge

Included With

Antenna Tops

Options


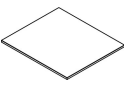
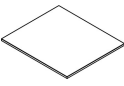
Antenna Tops

Top Finish Options:

Add an (L) for laminate or (V) for veneer suffix to pattern number.

Antenna Tops For Desks or Big Tables

36", 42" and 48" Deep Rectangular

description	w	d	h	pattern no.	Laminate (L)	V1 (V)	V2 (V)	V3 (V)
Antenna Tops, 36" Deep Rectangular 	30"	36"	1 1/4"	YT3036	\$283.	\$517.	\$596.	\$802.
	36"	36"	1 1/4"	YT3636	314.	550.	633.	854.
	42"	36"	1 1/4"	YT4236	342.	584.	673.	909.
	48"	36"	1 1/4"	YT4836	378.	619.	713.	961.
	54"	36"	1 1/4"	YT5436	429.	654.	753.	1,017.
	60"	36"	1 1/4"	YT6036	475.	689.	792.	1,069.
	66"	36"	1 1/4"	YT6636	528.	723.	831.	1,121.
	72"	36"	1 1/4"	YT7236	548.	757.	871.	1,177.
	78"	36"	1 1/4"	YT7836	584.	792.	911.	1,229.
	84"	36"	1 1/4"	YT8436	622.	826.	950.	1,283.
	90"	36"	1 1/4"	YT9036	668.	861.	990.	1,336.
96"	36"	1 1/4"	YT9636	717.	889.	1,023.	1,381.	
Antenna Tops, 42" Deep Rectangular 	42"	42"	1 1/4"	YT4242	370.	628.	723.	976.
	84"	42"	1 1/4"	YT8442	685.	888.	1,022.	1,380.
Antenna Tops, 48" Deep Rectangular 	30"	48"	1 1/4"	YT3048	328.	598.	687.	927.
	36"	48"	1 1/4"	YT3648	361.	625.	720.	971.
	42"	48"	1 1/4"	YT4248	396.	671.	772.	1,041.
	48"	48"	1 1/4"	YT4848	454.	711.	818.	1,105.
	54"	48"	1 1/4"	YT5448	517.	752.	867.	1,169.
	60"	48"	1 1/4"	YT6048	571.	792.	911.	1,229.
	66"	48"	1 1/4"	YT6648	633.	831.	957.	1,292.
	72"	48"	1 1/4"	YT7248	659.	871.	1,001.	1,353.
	78"	48"	1 1/4"	YT7848	702.	911.	1,048.	1,413.
	84"	48"	1 1/4"	YT8448	747.	950.	1,093.	1,475.
	90"	48"	1 1/4"	YT9048	803.	990.	1,139.	1,536.
96"	48"	1 1/4"	YT9648	861.	1,023.	1,177.	1,588.	

Ordering Information

Antenna Tops

1. Pattern Number
2. Top Finish
3. Edge Finish
(for laminate tops only)

Order Code

Antenna Tops

Example: **YT7836, 118, 118**

YT	Pattern Number
78	Width
36	Depth
118	Bright White Top
118	Bright White Edge

Included With

Antenna Tops

Options

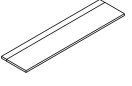
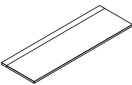
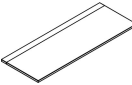
Antenna Tops

Top Finish Options:

Add an (L) for laminate or (V) for veneer suffix to pattern number.

Antenna Hinged Access Tops for Big Tables

18", 24" and 27" Deep Rectangular

description	w	d	h	pattern no.	Laminate (L)	V1 (V)	V2 (V)	V3 (V)
Antenna Big Table Tops with Hinged Access, 18" Deep 	48"	18"	1 1/4"	YTH4818	\$593.	\$805.	\$875.	\$1,065.
	54"	18"	1 1/4"	YTH5418	609.	827.	903.	1,100.
	60"	18"	1 1/4"	YTH6018	633.	851.	930.	1,136.
	66"	18"	1 1/4"	YTH6618	656.	873.	955.	1,173.
	72"	18"	1 1/4"	YTH7218	674.	897.	981.	1,207.
	78"	18"	1 1/4"	YTH7818	699.	918.	1,008.	1,243.
	84"	18"	1 1/4"	YTH8418	719.	948.	1,039.	1,287.
Antenna Big Table Tops with Hinged Access, 24" Deep 	48"	24"	1 1/4"	YTH4824	595.	809.	931.	1,256.
	54"	24"	1 1/4"	YTH5424	618.	844.	970.	1,309.
	60"	24"	1 1/4"	YTH6024	644.	877.	1,009.	1,363.
	66"	24"	1 1/4"	YTH6624	671.	901.	1,036.	1,399.
	72"	24"	1 1/4"	YTH7224	688.	923.	1,063.	1,434.
	78"	24"	1 1/4"	YTH7824	716.	952.	1,096.	1,479.
	84"	24"	1 1/4"	YTH8424	739.	981.	1,128.	1,522.
Antenna Big Table Tops with Hinged Access, 27" Deep 	48"	27"	1 1/4"	YTH4827	618.	838.	964.	1,300.
	54"	27"	1 1/4"	YTH5427	654.	872.	1,002.	1,354.
	60"	27"	1 1/4"	YTH6027	687.	907.	1,042.	1,406.
	66"	27"	1 1/4"	YTH6627	725.	923.	1,063.	1,434.
	72"	27"	1 1/4"	YTH7227	741.	947.	1,089.	1,469.
	78"	27"	1 1/4"	YTH7827	774.	976.	1,121.	1,515.
	84"	27"	1 1/4"	YTH8427	802.	1,003.	1,154.	1,558.

Tops

Ordering Information

Antenna Big Table Tops

1. Pattern Number
2. Top Finish
3. Edge Finish
(for laminate tops only)
4. Paint Finish

Order Code

Antenna Big Table Tops

Example: **YTH7827, 118, 118, 118T**

YT	Pattern Number
H	Hinged Access
78	Width
27	Depth
118	Bright White Top
118	Bright White Edge
118T	Bright White Paint

Included With

Antenna Big Table Tops

Options

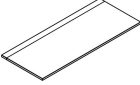
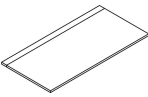
Antenna Big Table Tops

Top Finish Options:

Add an (L) for laminate or (V) for veneer suffix to pattern number.

Antenna Hinged Access Tops for Big Tables

30" and 36" Deep Rectangular

description	w	d	h	pattern no.	Laminate (L)	V1 (V)	V2 (V)	V3 (V)
Antenna Big Table Tops with Hinged Access, 30" Deep 	48"	30"	1 1/4"	YTH4830	\$644.	\$872.	\$1,002.	\$1,354.
	54"	30"	1 1/4"	YTH5430	690.	907.	1,042.	1,406.
	60"	30"	1 1/4"	YTH6030	730.	941.	1,082.	1,461.
	66"	30"	1 1/4"	YTH6630	778.	958.	1,101.	1,487.
	72"	30"	1 1/4"	YTH7230	797.	976.	1,121.	1,515.
	78"	30"	1 1/4"	YTH7830	830.	1,003.	1,154.	1,558.
	84"	30"	1 1/4"	YTH8430	865.	1,032.	1,187.	1,603.
Antenna Big Table Tops with Hinged Access, 36" Deep 	48"	36"	1 1/4"	YTH4836	747.	987.	1,081.	1,329.
	54"	36"	1 1/4"	YTH5436	797.	1,022.	1,120.	1,384.
	60"	36"	1 1/4"	YTH6036	843.	1,056.	1,159.	1,437.
	66"	36"	1 1/4"	YTH6636	896.	1,091.	1,200.	1,489.
	72"	36"	1 1/4"	YTH7236	915.	1,125.	1,239.	1,544.
	78"	36"	1 1/4"	YTH7836	952.	1,159.	1,278.	1,597.
	84"	36"	1 1/4"	YTH8436	989.	1,194.	1,317.	1,650.

Ordering Information

Antenna Tops

1. Pattern Number
2. Top Finish
3. Edge Finish
(for laminate tops only)
4. Paint Finish

Order Code

Antenna Tops

Example: **YTH7830, 118, 118, 118T**

YT	Pattern Number
H	Hinged Access
78	Width
30	Depth
118	Bright White Top
118	Bright White Edge
118T	Bright White Paint

Included With

Antenna Tops

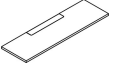
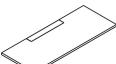
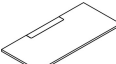
Options

Antenna Tops

Top Finish Options:

Add an (L) for laminate or (V) for veneer suffix to pattern number.

Antenna Centered Hinged Access Tops for Big Tables 18", 24" and 27" Deep Rectangular

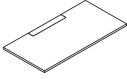
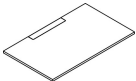
description	w	d	h	pattern no.	Laminate (L)	V1 (V)	V2 (V)	V3 (V)
Antenna Big Table Tops with Centered Hinged Access, 18" Deep 	48"	18"	1 1/4"	YTD4818	\$593.	\$805.	\$875.	\$1,065.
	54"	18"	1 1/4"	YTD5418	609.	827.	903.	1,100.
	60"	18"	1 1/4"	YTD6018	633.	851.	930.	1,136.
	66"	18"	1 1/4"	YTD6618	656.	873.	955.	1,173.
	72"	18"	1 1/4"	YTD7218	674.	897.	981.	1,207.
	78"	18"	1 1/4"	YTD7818	699.	918.	1,008.	1,243.
	84"	18"	1 1/4"	YTD8418	719.	948.	1,039.	1,287.
Antenna Big Table Tops with Centered Hinged Access, 24" Deep 	48"	24"	1 1/4"	YTD4824	595.	809.	931.	1,256.
	54"	24"	1 1/4"	YTD5424	618.	844.	970.	1,309.
	60"	24"	1 1/4"	YTD6024	644.	877.	1,009.	1,363.
	66"	24"	1 1/4"	YTD6624	671.	901.	1,036.	1,399.
	72"	24"	1 1/4"	YTD7224	688.	923.	1,063.	1,434.
	78"	24"	1 1/4"	YTD7824	716.	952.	1,096.	1,479.
	84"	24"	1 1/4"	YTD8424	739.	981.	1,128.	1,522.
Antenna Big Table Tops with Centered Hinged Access, 27" Deep 	48"	27"	1 1/4"	YTD4827	618.	838.	964.	1,300.
	54"	27"	1 1/4"	YTD5427	654.	872.	1,002.	1,354.
	60"	27"	1 1/4"	YTD6027	687.	907.	1,042.	1,406.
	66"	27"	1 1/4"	YTD6627	725.	923.	1,063.	1,434.
	72"	27"	1 1/4"	YTD7227	741.	947.	1,089.	1,469.
	78"	27"	1 1/4"	YTD7827	774.	976.	1,121.	1,515.
	84"	27"	1 1/4"	YTD8427	802.	1,003.	1,154.	1,558.

Tops

Ordering Information	Order Code	Included With	Options
Antenna Big Table Tops 1. Pattern Number 2. Top Finish 3. Edge Finish (for laminate tops only) 4. Paint Finish	Antenna Big Table Tops <i>Example:</i> YTD7827, 118, 118, 118T YT Pattern Number D Centered Hinged Access 78 Width 27 Depth 118 Bright White Top 118 Bright White Edge 118T Bright White Paint	Antenna Big Table Tops	Antenna Big Table Tops Top Finish Options: Add an (L) for laminate or (V) for veneer suffix to pattern number.

Antenna Centered Hinged Access Tops for Big Tables

30" and 36" Deep Rectangular

description	w	d	h	pattern number	Laminate (L)	V1 (V)	V2 (V)	V3 (V)
Antenna Big Table Tops with Centered Hinged Access, 30" Deep 	48"	30"	1 1/4"	YTD4830	\$644.	\$872.	\$1,002.	\$1,354.
	54"	30"	1 1/4"	YTD5430	690.	907.	1,042.	1,406.
	60"	30"	1 1/4"	YTD6030	730.	941.	1,082.	1,461.
	66"	30"	1 1/4"	YTD6630	778.	958.	1,101.	1,487.
	72"	30"	1 1/4"	YTD7230	797.	976.	1,121.	1,515.
	78"	30"	1 1/4"	YTD7830	830.	1,003.	1,154.	1,558.
	84"	30"	1 1/4"	YTD8430	865.	1,032.	1,187.	1,603.
Antenna Big Table Tops with Centered Hinged Access, 36" Deep 	48"	36"	1 1/4"	YTD4836	747.	987.	1,081.	1,329.
	54"	36"	1 1/4"	YTD5436	797.	1,022.	1,120.	1,384.
	60"	36"	1 1/4"	YTD6036	843.	1,056.	1,159.	1,437.
	66"	36"	1 1/4"	YTD6636	896.	1,091.	1,200.	1,489.
	72"	36"	1 1/4"	YTD7236	915.	1,125.	1,239.	1,544.
	78"	36"	1 1/4"	YTD7836	952.	1,159.	1,278.	1,597.
	84"	36"	1 1/4"	YTD8436	989.	1,194.	1,317.	1,650.

Ordering Information

Antenna Big Table Tops

1. Pattern Number
2. Top Finish
3. Edge Finish
(for laminate tops only)
4. Paint Finish

Order Code

Antenna Big Table Tops

Example: **YTD7827, 118, 118, 118T**

YT	Pattern Number
D	Centered Hinged Access
78	Width
27	Depth
118	Bright White Top
118	Bright White Edge
118T	Bright White Paint

Included With

Antenna Big Table Tops

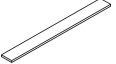
Options

Antenna Big Table Tops

Top Finish Options:
Add an (L) for laminate or (V) for veneer suffix to pattern number.

Antenna Back Tops for Single Sided Big Tables

7.5" Deep Rectangular






description	w	d	pattern no.	Laminate (L)	V1 (V)	V2 (V)	V3 (V)
Antenna Back Tops for Single Sided Big Tables, 7.5" Deep 	48"	7.5"	YT4808	\$182.	\$359.	\$413.	\$536.
	54"	7.5"	YT5408	193.	374.	429.	559.
	60"	7.5"	YT6008	225.	408.	470.	610.
	66"	7.5"	YT6608	232.	416.	478.	622.
	72"	7.5"	YT7208	241.	423.	487.	632.
	78"	7.5"	YT7808	246.	429.	494.	643.
	84"	7.5"	YT8408	252.	467.	538.	698.

Tops

Ordering Information	Order Code	Included With	Options
Antenna Tops 1. Pattern Number 2. Top Finish 3. Edge Finish (for laminate tops only)	Antenna Tops <i>Example:</i> YT5408, 118, 118 YT Top 54 Width 08 Depth 118 Bright White Top 118 Bright White Edge	Antenna Tops	Antenna Tops Top Finish Options: Add an (L) for laminate or (V) for veneer suffix to pattern number.

Antenna Extension Tops for Desks and Big Tables

15" and 18" Wide Rectangular

description	type	w	d	h	pattern no.	Laminate (L)	V1 (V)	V2 (V)	V3 (V)
Antenna Desk Extension Tops, 15" Wide Rectangular 	For use with 24" deep desk tops	15"	24"	1 1/4"	YTE1524	\$169.	\$321.	\$370.	\$498.
	For use with 27" deep desk tops	15"	27"	1 1/4"	YTE1527	174.	333.	383.	517.
	For use with 30" deep desk tops	15"	30"	1 1/4"	YTE1530	179.	343.	396.	535.
	For use with 36" deep desk tops	15"	36"	1 1/4"	YTE1536	201.	368.	422.	571.
Antenna Back to Back Desk Extension Tops, 15" Wide Rectangular 	For use with 18" deep back to back tops	15"	39 3/4"	1 1/4"	YTE1539	268.	384.	443.	598.
	For use with 24" deep back to back tops	15"	51 3/4"	1 1/4"	YTE1552	309.	432.	497.	671.
	For use with 27" deep back to back tops	15"	57 3/4"	1 1/4"	YTE1558	320.	449.	517.	696.
	For use with 30" deep back to back tops	15"	63 3/4"	1 1/4"	YTE1564	334.	466.	537.	726.
	For use with 36" deep back to back tops	15"	75 3/4"	1 1/4"	YTE1576	345.	475.	539.	769.
Antenna Dual Sided Big Table Extension Tops, 15" Wide Rectangular 	For use with 18" deep dual big table tops	15"	41 1/2"	1 1/4"	YTE1541	268.	384.	443.	598.
	For use with 24" deep dual big table tops	15"	53 1/2"	1 1/4"	YTE1553	309.	432.	497.	671.
	For use with 27" deep dual big table tops	15"	59 1/2"	1 1/4"	YTE1559	320.	449.	517.	696.
	For use with 30" deep dual big table tops	15"	65 1/2"	1 1/4"	YTE1565	334.	466.	537.	726.
	For use with 36" deep dual big table tops	15"	77 1/2"	1 1/4"	YTE1577	345.	475.	539.	769.
Antenna Dual Sided Big Table Extension Tops, 18" Wide Rectangular 	For use with 18" deep dual big table tops	18"	41 1/2"	1 1/4"	YTE1841	275.	461.	531.	716.
	For use with 24" deep dual big table tops	18"	53 1/2"	1 1/4"	YTE1853	317.	520.	595.	807.
	For use with 27" deep dual big table tops	18"	59 1/2"	1 1/4"	YTE1859	350.	541.	620.	838.
	For use with 30" deep dual big table tops	18"	65 1/2"	1 1/4"	YTE1865	360.	563.	642.	870.
	For use with 36" deep dual big table tops	18"	77 1/2"	1 1/4"	YTE1877	381.	573.	658.	912.
Antenna Single Sided Big Table Extension Tops, 15" Wide Rectangular 	For use with 18" deep single big table tops	15"	31"	1 1/4"	YTE1531	178.	394.	452.	586.
	For use with 24" deep single big table tops	15"	37"	1 1/4"	YTE1537	195.	405.	466.	606.
	For use with 27" deep single big table tops	15"	40"	1 1/4"	YTE1540	202.	411.	474.	615.
	For use with 30" deep single big table tops	15"	43"	1 1/4"	YTE1543	206.	449.	516.	670.
	For use with 36" deep single big table tops	15"	49"	1 1/4"	YTE1549	239.	461.	531.	689.

Ordering Information

Antenna Extension Tops

1. Pattern Number
2. Top Finish
3. Edge Finish
(for laminate tops only)

Order Code

Antenna Extension Tops

Example: **YTE1559, 118, 118**

YT Pattern Number

E Extension

15 Width

59 Depth

118 Bright White Top

118 Bright White Edge

Included With

Antenna Extension Tops

Options

Antenna Extension Tops

Top Finish Options:

Add an (L) for laminate or (V) for veneer suffix to pattern number.

Antenna dual big tables can be planned in 120 degree configurations with 120 degree Antenna tops, intermediate legs for 120 degree, standard big table end legs, rails, center beams and power components.

120 degree Antenna tops match the straight top edge details for laminate and veneer surfaces. Tops have a curvilinear front edge and are available in 48"x48", 54"x54" and 60"x60" widths 24" and 27" deep. 120 degree corner tops are also available with a straight front edge 48" x 48" in 24" depth only. All tops are available with or without a 3 3/4"D hinged access on each back edge with a mitered joint in the back corner.

When planning with 120 degree tops, an intermediate leg for 120 degree must be specified. The vertical legs are shifted to allow for ample kneespace. The top of the intermediate leg for 120 degree is the same as the big table inset intermediate leg, with two standard cradles for rails, two extended arm cradles and brackets for the center beam between them.

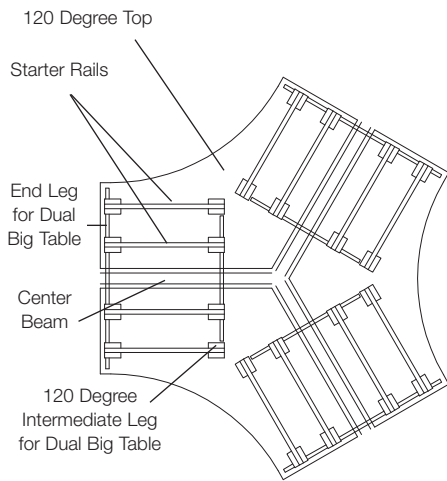
Big table 120 degree planning uses the same components and capabilities as standard straight big table applications: linked modular power components, cable baskets and wire management, center beam mounted screens, storage and monitor arms. Pedestals must be specified as mobile or freestanding with ballast for 120 degree applications.

Basic Triad Planning

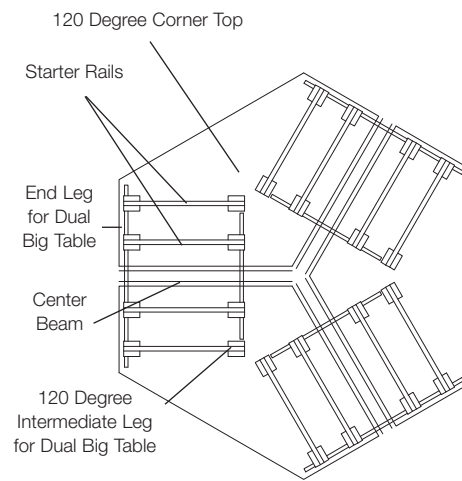
Desk tops are supported by a pair of starter rails parallel to each back edge 15" less wide than top width. Between each 120 degree desk top back edge is a matching 48", 54" or 60" center beam, with three beam end caps at the center of the configuration, as well as on outside conditions. Rails and center beam are supported by an end leg for big table at each outside end and by three 120 degree intermediate legs in the center of the configuration.

Triad Planning with Extension Tops

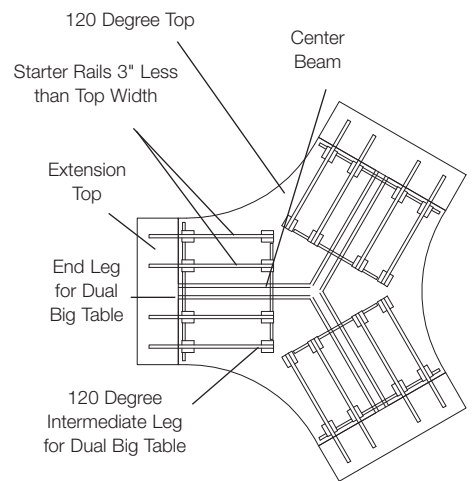
Antenna extension tops can be added at the ends of big table triads in 53" depths for 24" deep 120 tops or 59" depths for 27" deep 120 tops. Desk top rails need to be 12" longer to support the 15"W extension tops, so starter rails are 3" less than the 120 top widths. For example, specify 45" wide starter rails for 15"W extension tops planned outside the end of a triad of 48" wide 120 degree tops. Desk top rails need to be 15" longer to support 18"W extension tops, so starter rails are the same as the 120 top widths. Center beam widths remain the same, but the ends of the center beams next to extension tops need partial center beam end caps.



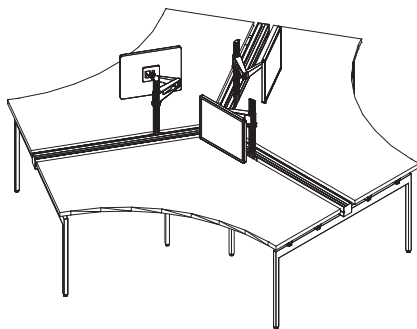
Basic Triad with 120 Degree Tops



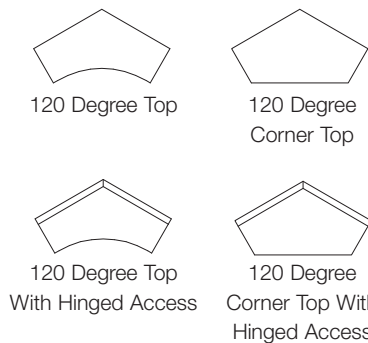
Basic Triad with 120 Degree Corner Tops



Basic Triad with 120 Degree and Extension Tops



Basic Triad with 120 Degree Tops



Top Width	Starter Rail Length	Extended Rail Length	Center Beam Width
48"	33"	36"	48"
54"	39"	42"	54"
60"	45"	48"	60"

Rail and Center Beam Dimensions for 120 Degree Planning

Triad Planning with Adjacent Rectangular Tops

Rectangular big table tops with a center beam in 48" to 84" widths can extend at the ends of big table triads. Rectangular tops can be supported by matching width extended rails, a big table intermediate leg or inset intermediate leg and a big table end leg.

Dogbone Planning Configurations

When two triads are linked, two end legs can be replaced by a single big table intermediate leg or inset intermediate leg. Two pairs of starter rails for one of the two triads should be changed to extended rails that are 3" longer. All other components are unchanged.

Dogbone configurations can also be linked by straight desk tops and matching width center beams. In this application, the straight tops can be supported by pairs of extended rails matching in width, extended rails under one of the adjacent triads and big table intermediate or inset intermediate legs.

Construction

Antenna tops are nominal 1 3/16" thick with a laminate or veneer surface finish.

Laminate tops have a laminate top surface with an FSC-certified particle board core and a neutral tone backer sheet for balanced construction. Edges can match the top or contrast in color, in 2.8mm ABS with 2.4mm radius top and bottom edges. Front and back edges overlap ends with a 2.4 mm radius on outside corners. Acrylonitrile Butadiene Styrene (ABS) is a polymer used as an alternative to PVC and rubber. It is phthalate-free, flame retardant, has high heat and impact resistance, good processability, dimensional stability and high gloss.

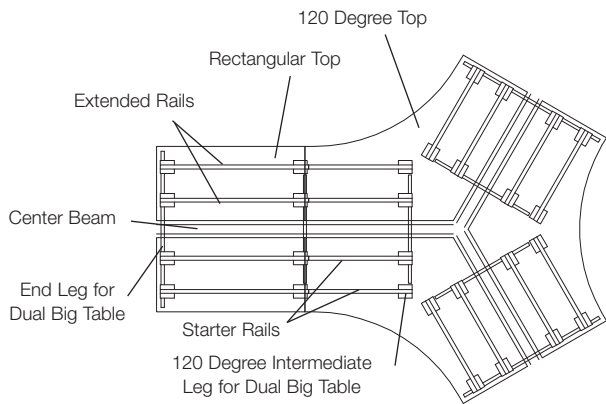
Techwood and natural veneer tops have a veneer top surface, an FSC-certified particle board core and a neutral tone backer sheet for balanced construction. Veneer tops have

matching finish 2.0mm solid veneer edges on all sides. Top and bottom edges have a 2.0mm radius. Veneer grain direction is parallel to front edge on desk tops, and parallel to end on extension tops. All tops have pilot holes for the two most common mounting conditions for desk legs and return connections: legs inset 1 1/2" or 5 1/2" from the both ends of the top.

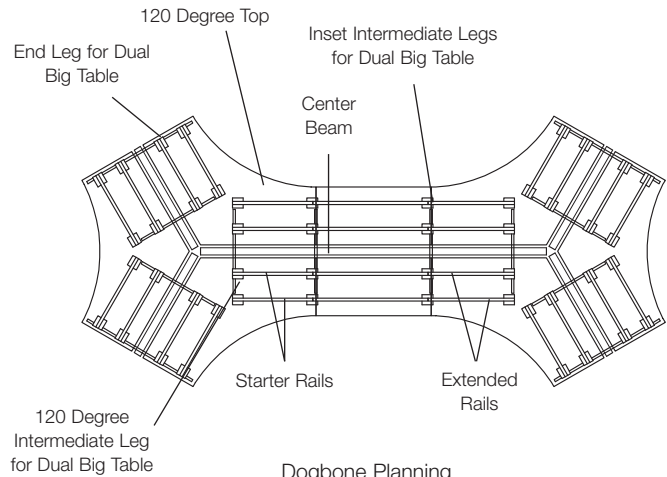
Specification Options

Tops available in any Knoll Core laminate or veneer finish. For laminate tops, specify edgeband to match any Knoll Core laminate.

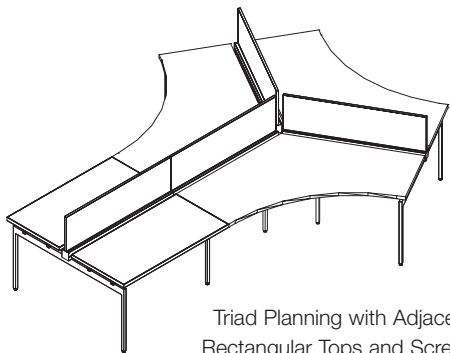
For veneer tops, edge must match top.



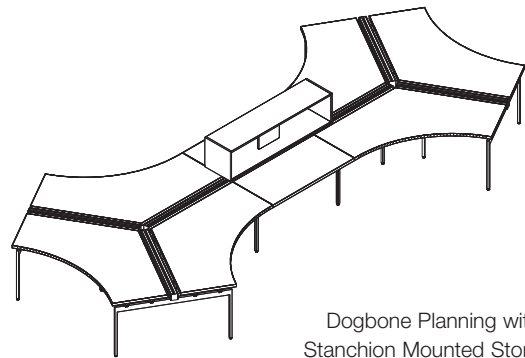
Triad Planning with Adjacent Rectangular Tops



Dogbone Planning



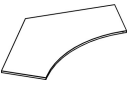
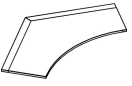
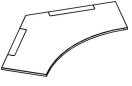
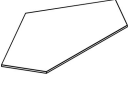
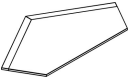
Triad Planning with Adjacent Rectangular Tops and Screens



Dogbone Planning with Stanchion Mounted Storage

Antenna Tops for 120° Planning

24" and 27" Deep

description	w	d	h	pattern no.	Laminate (L)	V1 (V)	V2 (V)	V3 (V)
120° Top 	48"	24"	1 1/4"	YTVC24484824()	\$757.	\$1,671.	\$1,921.	\$2,498.
	48"	27"	1 1/4"	YTVC27484827()	769.	1,698.	1,954.	2,540.
	54"	24"	1 1/4"	YTVC24545424()	808.	1,766.	2,032.	2,641.
	54"	27"	1 1/4"	YTVC27545427()	895.	n/a	n/a	n/a
	60"	24"	1 1/4"	YTVC24606024()	934.	n/a	n/a	n/a
	60"	27"	1 1/4"	YTVC27606027()	949.	n/a	n/a	n/a
120° Top with Hinged Access 	48"	24"	1 1/4"	YTHVC24484824()	1,546.	2,756.	3,169.	4,119.
	48"	27"	1 1/4"	YTHVC27484827()	1,557.	2,787.	3,205.	4,166.
	54"	24"	1 1/4"	YTHVC24545424()	1,599.	2,892.	3,325.	4,323.
	54"	27"	1 1/4"	YTHVC27545427()	1,612.	2,919.	3,358.	4,364.
	60"	24"	1 1/4"	YTHVC24606024()	1,750.	2,991.	3,438.	4,470.
	60"	27"	1 1/4"	YTHVC27606027()	1,765.	n/a	n/a	n/a
120° Top with Centered Hinged Access 	48"	24"	1 1/4"	YTDVC24484824()	1,546.	2,756.	3,169.	4,119.
	48"	27"	1 1/4"	YTDVC27484827()	1,557.	2,787.	3,205.	4,166.
	54"	24"	1 1/4"	YTDVC24545424()	1,599.	2,892.	3,325.	4,323.
	54"	27"	1 1/4"	YTDVC27545427()	1,612.	n/a	n/a	n/a
	60"	24"	1 1/4"	YTDVC24606024()	1,750.	n/a	n/a	n/a
	60"	27"	1 1/4"	YTDVC27606027()	1,765.	n/a	n/a	n/a
120° Corner Top 	48"	24"	1 1/4"	YTVS24484824()	757.	1,632.	1,876.	2,441.
120° Corner Top with Hinged Access 	48"	24"	1 1/4"	YTHVS24484824()	1,546.	2,825.	3,248.	4,223.

Tops

Ordering Information	Order Code	Included With	Options
Antenna Tops 1. Pattern Number 2. Top Finish 3. Edge Finish (for laminate tops only)	Antenna Tops <i>Example:</i> YTHVC27545427L, 118, 118 YT Antenna Top H Hinged Access VC 120° 27 Depth 54 Width 54 Width 27 Depth L Laminate 118 Bright White Laminate 118 Bright White Edge	Antenna Tops	Antenna Tops Top Finish Options: (L) = Laminate (V) = Veneer

Antenna Tops For C-Leg and T-Leg Tables

Planning Guidelines and Specification

Antenna C-Leg and T-Leg tops are designed for use with fixed height and adjustable height C-Leg and T-Leg bases only.

Rectangular tops are full dimension, 24", 30" and 36" depths, and available in every 6" increment of nominal width from 36"- 72". Rectangular top widths are undersized by 3" for blending with other products planning on a standard module.

Construction

Antenna tops are nominal 1 3/16" thick with a laminate or veneer surface finish.

Laminate tops have a laminate top surface with an FSC-certified particle board core and a neutral tone backer sheet for balanced

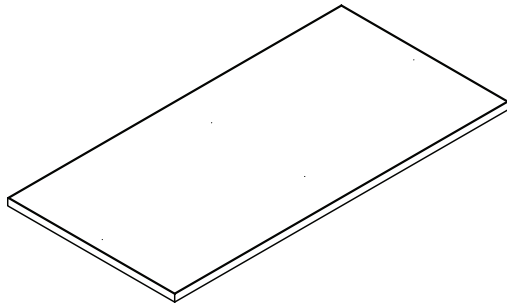
construction. Edges can match the top or contrast in color, in 2.8mm ABS with 2.4mm radius top and bottom edges. Front and back edges overlap ends with a 2.4mm radius on outside corners. Acrylonitrile Butadiene Styrene (ABS) is a polymer used as an alternative to PVC and rubber. It is phthalate-free, flame retardant, has high heat and impact resistance, good processability, dimensional stability and high gloss.

Techwood and natural veneer tops have a veneer top surface, an FSC-certified particle board core and a neutral tone backer sheet for balanced construction. Veneer tops have matching finish 2.0mm solid veneer edges on all sides. Top and bottom edges a 2.0mm

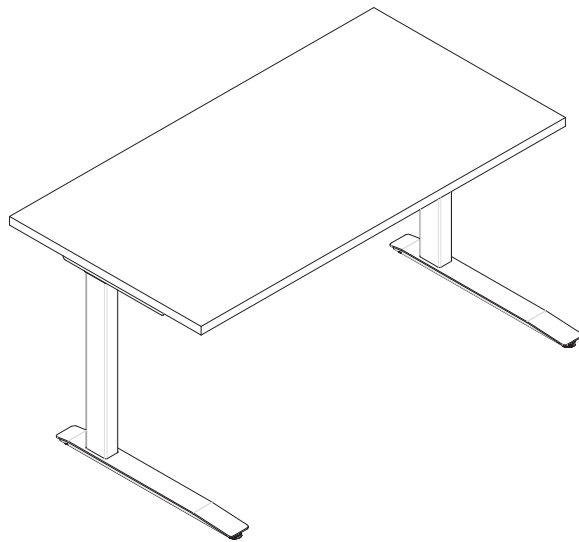
radius. Veneer grain direction is parallel to front edge of top. All tops have pre drilled pilot holes for use with corresponding depth fixed or height adjustable C-Leg or T-Leg bases to create freestanding tables.

Specification Options

Tops available in any Knoll core laminate or veneer finish. For laminate tops, specify edgeband to match and Knoll core laminate. For veneer tops, edge must match top.



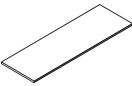
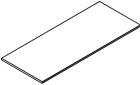
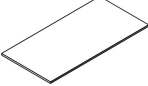
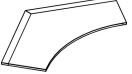
Antenna C-Leg or T-Leg Top



30"D x 60"W C-Leg Fixed Height Table

Antenna Tops For C-Leg and T-Leg Tables

24", 30", 36" Deep Rectangular and 120°

description	type	w*	w	d	h	pattern no.	Laminate (L)	V1 (V)	V2 (V)	V3 (V)		
	For use with 24"D C-Leg base	36"	33"	24"	1 1/4"	YT3324()	\$231.	\$464.	\$535.	\$722.		
		42"	39"	24"	1 1/4"	YT3924()	264.	488.	562.	757.		
		48"	45"	24"	1 1/4"	YT4524()	295.	510.	586.	793.		
		54"	51"	24"	1 1/4"	YT5124()	320.	544.	626.	846.		
		60"	57"	24"	1 1/4"	YT5724()	345.	579.	666.	900.		
		66"	63"	24"	1 1/4"	YT6324()	373.	603.	693.	935.		
	For use with 30"D C-Leg or T-Leg base	48"	45"	30"	1 1/4"	YT4530()	345.	574.	660.	890.		
		54"	51"	30"	1 1/4"	YT5130()	392.	608.	699.	944.		
		60"	57"	30"	1 1/4"	YT5730()	431.	643.	738.	997.		
		66"	63"	30"	1 1/4"	YT6330()	481.	654.	753.	1,017.		
		72"	69"	30"	1 1/4"	YT6930()	498.	677.	779.	1,051.		
	For use with 30"D C-Leg base	36"	33"	30"	1 1/4"	YT3330()	285.	517.	596.	802.		
		42"	39"	30"	1 1/4"	YT3930()	312.	534.	614.	828.		
			For use with 30"D T-Leg base	48"	45"	36"	1 1/4"	YT4536()	378.	619.	713.	961.
				54"	51"	36"	1 1/4"	YT5136()	429.	654.	753.	1,017.
				60"	57"	36"	1 1/4"	YT5736()	475.	689.	792.	1,069.
66"	63"			36"	1 1/4"	YT6336()	528.	723.	831.	1,121.		
72"	69"			36"	1 1/4"	YT6936()	548.	757.	871.	1,177.		
	For use with 120° base	48"	46 1/2"	24"	1 1/4"	YTY4624()	757.	1,671.	1,921.	2,498.		
		48"	46 1/2"	27"	1 1/4"	YTY4627()	769.	1,698.	1,954.	2,540.		
		54"	52 1/2"	24"	1 1/4"	YTY5224()	808.	1,766.	2,032.	2,641.		
		54"	52 1/2"	27"	1 1/4"	YTY5227()	895.	n/a	n/a	n/a		
		60"	58 1/2"	24"	1 1/4"	YTY5824()	902.	n/a	n/a	n/a		
		60"	58 1/2"	27"	1 1/4"	YTY5827()	949.	n/a	n/a	n/a		

Tops

w* = nominal width

Ordering Information	Order Code	Included With	Options
Antenna Tops 1. Pattern Number 2. Top Finish 3. Edge Finish (for laminate tops only)	Antenna Tops <i>Example:</i> YT5730L, 118, 118 YT Top 57 Width 30 Depth L Laminate 118 Bright White Laminate 118 Bright White Edge	Antenna Tops	Antenna Tops Top Finish Options: Add an (L) for laminate or (V) for veneer suffix to pattern number.

Antenna tops and worksurface shelves for use with the Template Storage System are designed to match the front edge material, profile and thickness of Antenna desk and table tops.

Antenna Tops for the Template Storage System

Antenna wood tops for Template are fastened to the top of end and mid panels. Tops vary in width from 15"-96", based on the number of mid panels in a linked cluster of Template units. Tops are application specific because Template tops are full width for a single unit and are 1" shorter for each shared mid panel within multiple unit configurations.

Full width tops are 15" deep in 24", 30", 36", 42" and 48" widths for single unit cases.

For two position cases, with one shared mid panel, full width tops are available 1" less wide than nominal widths from 48"-96" in every 6" increment. For three position cases, with two mid panels, full width tops are available 2" less than nominal 72"-96" widths in 6" increments.

Antenna end position tops are available for end positions of multiple unit Template configurations. End position tops are 1/2" less than nominal widths, so one end of the top ends in the middle of a mid panel. For mid position applications within multiple unit cases, Antenna tops are available 1" less than nominal widths. Both ends of a middle position top end in the middle of mid panels.

Worksurface Shelves for the Template Storage System

Worksurface shelves are required above Template box or file drawer inserts or when attaching Antenna desk tops to Template storage units. Antenna worksurface shelves match the front edge radius and material of Antenna tops.

Worksurface shelves are available in two types: single sided and dual sided. Single sided shelves are detailed to fit flush to the front edge of the end or mid panels, with a back edge dimensioned to provide a wire drop or space for a tackable insert inside the back panel. Dual sided shelves fit flush to both the front and back edges of end or mid panels, which creates an open pass through the Template unit.

Worksurface shelves are available in every 6" increment of nominal width from 18"-48" plus 60" and 72" widths. Actual overall dimension is 2" less than nominal width.

For standard Template shelves with Template design details, specify shelves in metal, laminate or veneer.

Construction

Antenna tops are nominal 1 3/16" thick with laminate or veneer surface finish.

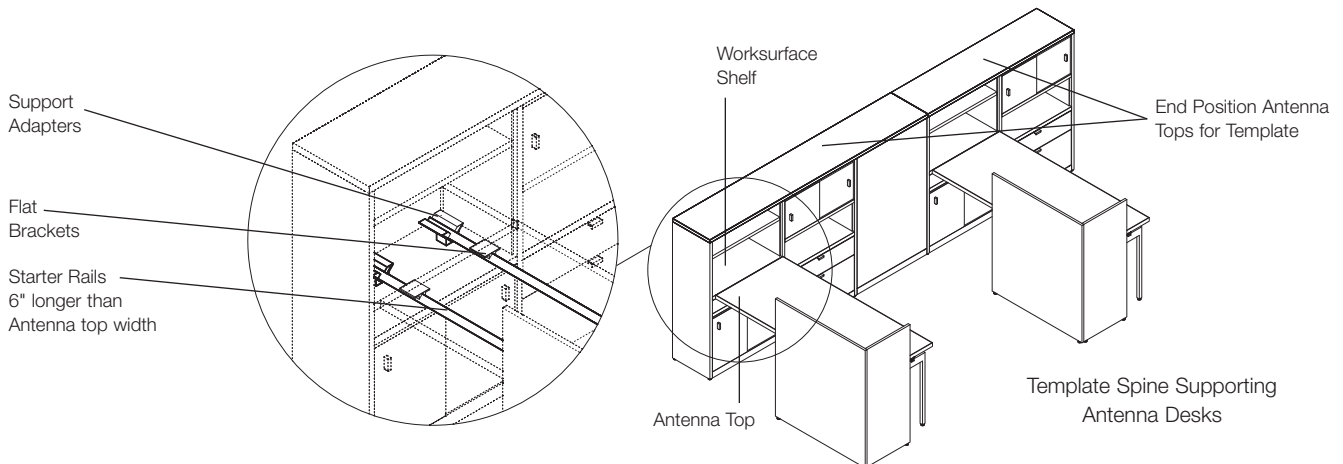
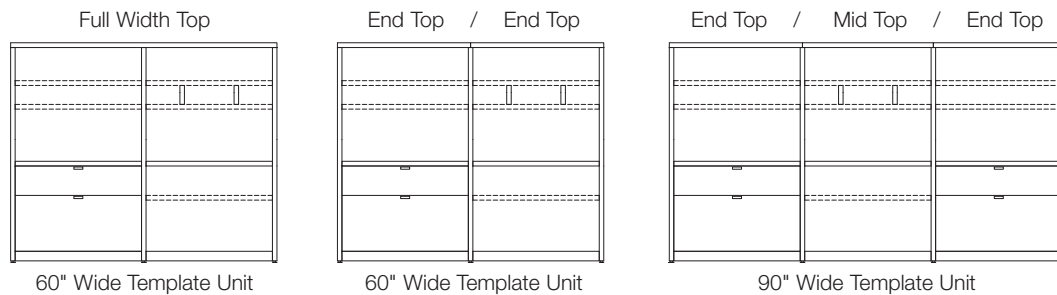
Laminate tops have a laminate top surface with an FSC-certified particle board core and a neutral tone backer sheet for balanced construction. Edges can match the top or contrast in color in 2.8mm ABS with 2.4mm radius top and bottom edges. Front and back edges overlap ends with a 2.4 mm radius on outside corners.

Acrylonitrile Butadiene Styrene (ABS) is a polymer used as an alternative to PVC and rubber. It is phthalate-free, flame retardant, has high heat and impact resistance, good processability, dimensional stability and high gloss.

Techwood and natural veneer tops have a veneer top surface with an FSC-certified particle board core and a neutral tone backer sheet for balanced construction. Veneer tops have matching finish 2.0mm solid veneer edges on all sides. Top and bottom edges have a 2.0mm radius. Veneer grain direction is parallel to front edge.

Specifications Options

Tops or worksurface shelf surfaces are available in any Knoll core laminate or veneer. For laminate tops and shelves, specify edgeband to match any Knoll core laminate. For veneer tops and shelves, edge must match top.

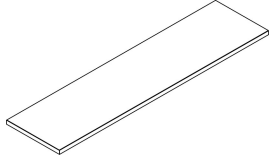


Antenna Tops and Worksurface Shelves for Template

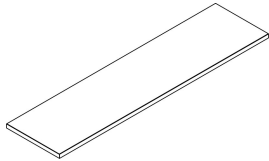
Full Width Tops

For Credenza or Worksurface Height Units

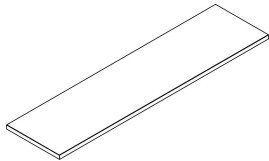
description	type	w	d	h	pattern no.	Laminate (L)	V1 (V)	V2 (V)	V3 (V)
Full Width Antenna Tops for Template, Single Unit Cases	24"W unit	24"	15"	1 1/4"	YTT24	\$169.	\$310.	\$357.	\$482.
	30"W unit	30"	15"	1 1/4"	YTT30	179.	328.	376.	507.
	36"W unit	36"	15"	1 1/4"	YTT36	201.	343.	396.	535.
	42"W unit	42"	15"	1 1/4"	YTT42	233.	362.	417.	564.
	48"W unit	48"	15"	1 1/4"	YTT48	259.	376.	432.	583.



Full Width Antenna Tops for Template, Double Unit Cases	48"W unit	47"	15"	1 1/4"	YTT47	259.	376.	432.	583.
	54"W unit	53"	15"	1 1/4"	YTT53	275.	414.	475.	642.
	60"W unit	59"	15"	1 1/4"	YTT59	299.	431.	495.	670.
	66"W unit	65"	15"	1 1/4"	YTT65	322.	450.	518.	698.
	72"W unit	71"	15"	1 1/4"	YTT71	340.	467.	538.	727.
	78"W unit	77"	15"	1 1/4"	YTT77	365.	491.	565.	762.
	84"W unit	83"	15"	1 1/4"	YTT83	384.	514.	590.	798.
	90"W unit	89"	15"	1 1/4"	YTT89	427.	533.	613.	826.
	96"W unit	95"	15"	1 1/4"	YTT95	474.	550.	633.	854.



Full Width Antenna Tops for Template, Triple Unit Cases	72"W unit	70"	15"	1 1/4"	YTT70	340.	467.	538.	727.
	78"W unit	76"	15"	1 1/4"	YTT76	365.	491.	565.	762.
	84"W unit	82"	15"	1 1/4"	YTT82	384.	514.	590.	798.
	90"W unit	88"	15"	1 1/4"	YTT88	427.	533.	613.	826.
	96"W unit	94"	15"	1 1/4"	YTT94	474.	550.	633.	854.



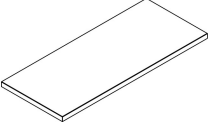
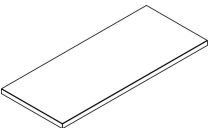
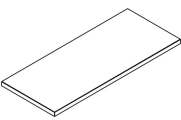
Tops

Ordering Information	Order Code	Included With	Options
Antenna Tops for Template 1. Pattern Number 2. Top Finish 3. Edge Finish (for laminate tops only)	Antenna Tops for Template <i>Example: YTT36, 118, 118</i> YTT Template Tops 36 Width 118 Bright White Top 118 Bright White Edge	Antenna Tops for Template	Antenna Tops for Template Top Finish Options: Add an (L) for laminate or (V) for veneer suffix to pattern number.

Antenna Tops and Worksurface Shelves for Template

End and Mid Position Tops

For Credenza or Worksurface Height Units

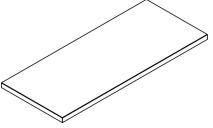
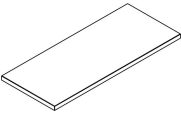
description	type	w	d	h	pattern no.	Laminate (L)	V1 (V)	V2 (V)	V3 (V)
End Position Antenna Tops for Single Template Units 	18"W unit	17 1/2"	15"	1 1/4"	YTTE18	\$160.	\$293.	\$336.	\$454.
	24"W unit	23 1/2"	15"	1 1/4"	YTTE24	169.	310.	357.	482.
	30"W unit	29 1/2"	15"	1 1/4"	YTTE30	179.	328.	376.	507.
	36"W unit	35 1/2"	15"	1 1/4"	YTTE36	201.	343.	396.	535.
	42"W unit	41 1/2"	15"	1 1/4"	YTTE42	233.	362.	417.	564.
	48"W unit	47 1/2"	15"	1 1/4"	YTTE48	259.	376.	432.	583.
	72"W unit	70 1/2"	15"	1 1/4"	YTTE72	340.	467.	538.	727.
End Position Antenna Tops for Multiple Template Units 	(2) 30"W units	58 1/2"	15"	1 1/4"	YTTE60	299.	431.	495.	670.
	30"W + 36"W units	64 1/2"	15"	1 1/4"	YTTE66	322.	450.	518.	698.
	36"W + 42"W units	76 1/2"	15"	1 1/4"	YTTE78	365.	491.	565.	762.
	(2) 42"W units	82 1/2"	15"	1 1/4"	YTTE84	384.	514.	590.	798.
	(3) 30"W units	85 1/2"	15"	1 1/4"	YTTE87	406.	524.	602.	814.
	42"W + 48"W units	88 1/2"	15"	1 1/4"	YTTE90	427.	533.	613.	826.
	(2) 48"W units	94 1/2"	15"	1 1/4"	YTTE96	474.	550.	633.	854.
Mid Position Antenna Tops for Template 	24"W unit	23"	15"	1 1/4"	YTTM23	169.	310.	357.	482.
	30"W unit	29"	15"	1 1/4"	YTTM29	179.	328.	376.	507.
	36"W unit	35"	15"	1 1/4"	YTTM35	201.	343.	396.	535.
	42"W unit	41"	15"	1 1/4"	YTTM41	233.	362.	417.	564.
	48"W unit	47"	15"	1 1/4"	YTTM47	259.	376.	432.	583.

Ordering Information	Order Code	Included With	Options
Antenna Tops for Template 1. Pattern Number 2. Top Finish 3. Edge Finish (for laminate tops only)	Antenna Tops for Template <i>Example:</i> YTTE36, 118, 118 YTTE Template Tops 36 Width 118 Bright White Top 118 Bright White Edge	Antenna Tops for Template	Antenna Tops for Template Top Finish Options: Add an (L) for laminate or (V) for veneer suffix to pattern number.

Antenna Tops and Worksurface Shelves for Template

Worksurface Shelves

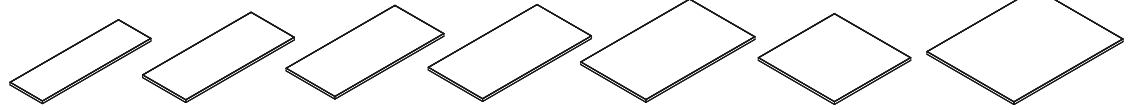
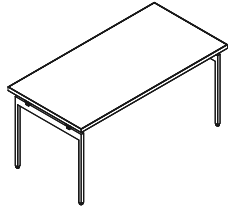
Single and Dual Sided

description	type	w	d	h	pattern no.	Laminate (L)	V1 (V)	V2 (V)	V3 (V)
Antenna Worksurface Shelves for Template, Single-Sided 	18"W unit	16"	14"	1 1/4"	YTWSHK118	\$230.	\$373.	\$428.	\$579.
	24"W unit	22"	14"	1 1/4"	YTWSHK124	238.	391.	449.	606.
	30"W unit	28"	14"	1 1/4"	YTWSHK130	247.	407.	467.	632.
	36"W unit	34"	14"	1 1/4"	YTWSHK136	270.	424.	489.	659.
	42"W unit	40"	14"	1 1/4"	YTWSHK142	302.	444.	509.	688.
	48"W unit	46"	14"	1 1/4"	YTWSHK148	328.	457.	526.	709.
	60"W unit	57"	14"	1 1/4"	YTWSHK160	369.	535.	615.	829.
	72"W unit	69"	14"	1 1/4"	YTWSHK172	410.	548.	631.	851.
Antenna Worksurface Shelves for Template, Dual-Sided 	18"W unit	16"	15"	1 1/4"	YTWSHK218	230.	373.	428.	579.
	24"W unit	22"	15"	1 1/4"	YTWSHK224	238.	391.	449.	606.
	30"W unit	28"	15"	1 1/4"	YTWSHK230	247.	407.	467.	632.
	36"W unit	34"	15"	1 1/4"	YTWSHK236	270.	424.	489.	659.
	42"W unit	40"	15"	1 1/4"	YTWSHK242	302.	444.	509.	688.
	48"W unit	46"	15"	1 1/4"	YTWSHK248	328.	457.	526.	709.
	72"W unit	57"	15"	1 1/4"	YTWSHK260	369.	535.	615.	829.
	72"W unit	69"	15"	1 1/4"	YTWSHK272	410.	548.	631.	851.

Tops

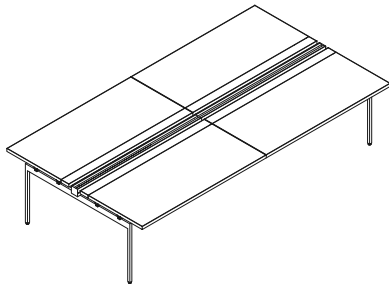
Ordering Information	Order Code	Included With	Options
Antenna Tops for Template 1. Pattern Number 2. Top Finish 3. Edge Finish (for laminate tops only)	Antenna Tops for Template <i>Example:</i> YTWSHK136, 118, 118 YTWSHK Worksurface Shelf 36 Width 118 Bright White Top 118 Bright White Edge	Antenna Tops for Template	Antenna Tops for Template Top Finish Options: Add an (L) for laminate or (V) for veneer suffix to pattern number.

Rectangular Tops for Desks



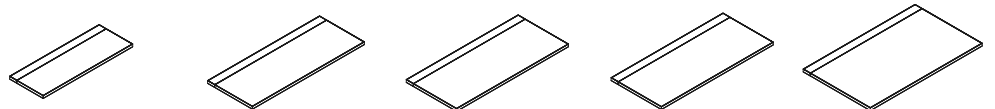
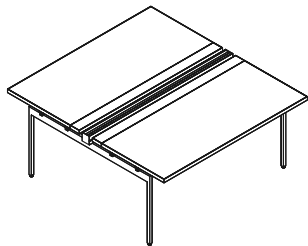
18" Deep 30" - 96" Wide	24" Deep 30" - 96" Wide	27" Deep 30" - 96" Wide	30" Deep 30" - 96" Wide	36" Deep 30" - 96" Wide	42" Deep 42" and 84" Wide	48" Deep 30" - 96" Wide
----------------------------	----------------------------	----------------------------	----------------------------	----------------------------	------------------------------	----------------------------

Rectangular Benching Tops for Desks or Big Tables



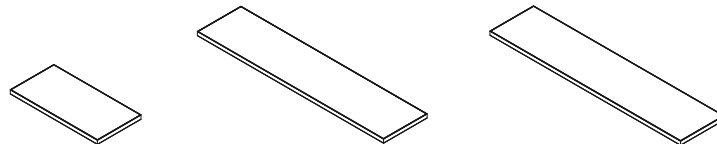
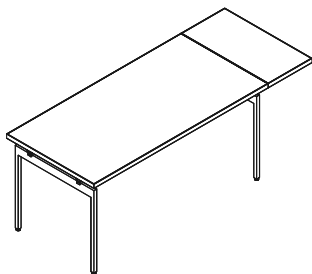
18" Deep 30" - 96" Wide	24" Deep 30" - 96" Wide	27" Deep 30" - 96" Wide	30" Deep 30" - 96" Wide	36" Deep 30" - 96" Wide
----------------------------	----------------------------	----------------------------	----------------------------	----------------------------

Rectangular with Hinged Access Tops for Big Tables



18" Deep 48" - 84" Wide	24" Deep 48" - 84" Wide	27" Deep 48" - 84" Wide	30" Deep 48" - 84" Wide	36" Deep 48" - 84" Wide
----------------------------	----------------------------	----------------------------	----------------------------	----------------------------

Extension Tops for Desks or Big Tables



For Use With 24", 27", 30" or 36" Deep Desk Tops	For Use With 18", 24", 27", 30" or 36" Back to Back Desk Tops	For Use With 18", 24", 27", 30" or 36" Deep Dual Big Table Tops
--	---	---

Overlay tops are designed in rectangular shapes, with specific details optimized for desks, tables, benching or big table applications. The laminate or veneer top surface of overlay tops covers the entire surface, overlapping solid veneer edges with a generous bottom edge radius.

Overlay tops for most desk and table applications are full dimension, 18", 24", 27", 30", 36", 42" and 48" depths, and available in every 6" increment of width from 30"-96". 18" deep tops are for return or bridge applications. Overlay tops can be planned as tables, desks, returns, or bridges.

For benching and desks planned end to end and big table applications, overlay benching tops are available 24", 27" and 30" deep and in widths from 48"-84". Overlay benching tops have rectangular corners optimized for end-to-end planning.

For big table applications, overlay tops with hinged access include a full width 3 3/4" deep hinged section for easy access to outlets and wire management below the center beam. Hinged access overlay tops are available in 24", 27" and 30" overall depths and widths from 48"-84" in 6" increments.

Extension tops plan at the end of a desk, back to back desk or big table. Overlay extension tops are 15" wide and match desks 24", 27", 30" or 36" deep. Extension tops for back to back desks are 15" wide and match tops 18", 24", 27", 30" or 36" deep with overall depths of 39 3/4", 51 3/4", 57 3/4", 63 3/4" or 75 3/4". Overlay extension tops for big tables are 15" or 18" wide and match overall big table depths of 53 1/2", 59 1/2" and 65 1/2". Extension tops can be planned in the same or contrasting surface finish as adjacent laminate or veneer tops. Desk and big table connector kits and rails 12" wider than adjacent top are needed for 15" wide extension top, or 15" wider for 18" wide extension top.

Construction

Overlay tops are nominal 1 3/16" thick with a laminate or veneer surface finish.

Laminate tops have a solid core laminate or veneer top surface, an FSC-certified particle board core and a neutral tone backer sheet for balanced construction. Solid core laminates have integral color throughout the thickness of the laminate. Edges are solid 12.7mm veneer with a 0.6mm top radius and 9mm bottom radius. Outside corners of Overlay tops have an 8mm radius, except for crisp 0.6mm corners on benching tops, big table tops and on the inside corners of extension tops.

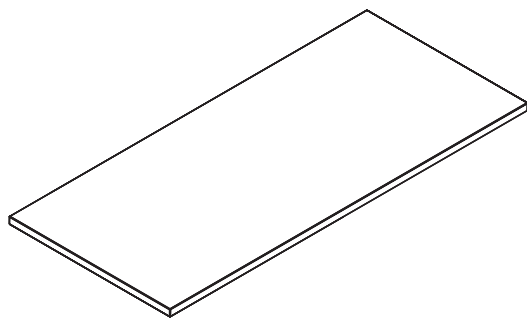
Techwood and natural veneer tops have a veneer top surface, an FSC-certified particle board core and a neutral tone backer sheet for balanced construction. Edges are solid 12.7mm veneer with a 0.6mm top radius and 9mm bottom radius. Bottom radius is only 2.4mm on ends of benching, big table tops, and inside edge of extension tops. Outside corners of Overlay tops have an 8mm radius, except for crisp 0.6mm corners on benching tops, big table tops and inside corners of extension tops.

Veneer grain direction is parallel to front edge on desk tops and parallel to the end on extension tops.

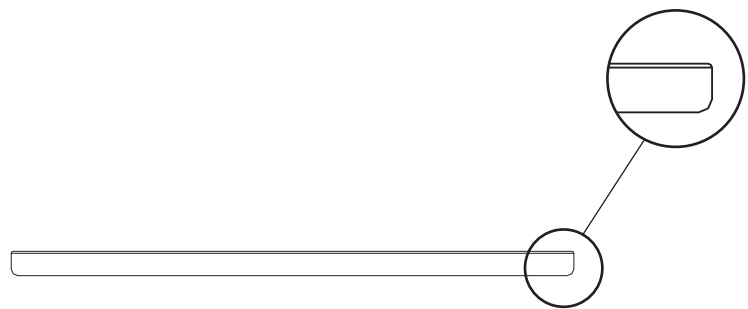
All tops have pilot holes for the most common mounting conditions for desk legs and return connections: legs inset 1 1/2" or 5 1/2" from the both ends of top.

Specifications Options

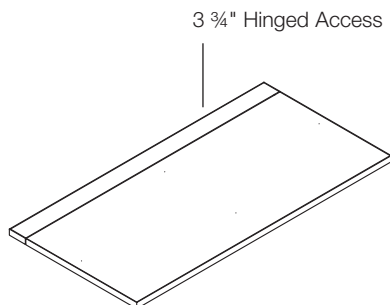
Top surface is available in a limited range of solid core laminates or in any Knoll core veneer. For both solid core laminate and veneer, specify edgeband in any Knoll core veneer.



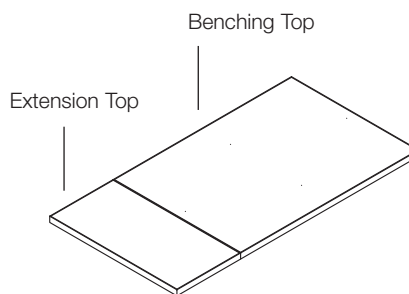
Overlay Top



Overlay Top Edge Elevation





Overlay Hinged Access Top



Overlay Benching Top with Extension Top

Overlay Tops for Desks

18" and 24" Deep Rectangular

description	w	d	h	pattern no.	Color Core Laminate (C)	V1 (V)	V2 (V)	V3 (V)
Overlay Desk Tops, 18" Deep Rectangular 	30"	18"	1 1/4"	YP3018	\$980.	\$959.	\$1,019.	\$1,075.
	36"	18"	1 1/4"	YP3618	1,026.	977.	1,042.	1,114.
	42"	18"	1 1/4"	YP4218	1,077.	996.	1,069.	1,152.
	48"	18"	1 1/4"	YP4818	1,136.	1,025.	1,107.	1,201.
	54"	18"	1 1/4"	YP5418	1,182.	1,041.	1,132.	1,239.
	60"	18"	1 1/4"	YP6018	1,278.	1,116.	1,212.	1,331.
	66"	18"	1 1/4"	YP6618	1,337.	1,144.	1,247.	1,378.
	72"	18"	1 1/4"	YP7218	1,383.	1,160.	1,272.	1,417.
	78"	18"	1 1/4"	YP7818	1,434.	1,181.	1,298.	1,454.
	84"	18"	1 1/4"	YP8418	1,492.	1,207.	1,334.	1,502.
	90"	18"	1 1/4"	YP9018	1,539.	1,225.	1,359.	1,540.
	96"	18"	1 1/4"	YP9618	1,597.	1,253.	1,393.	1,586.
Overlay Desk Tops, 24" Deep Rectangular 	30"	24"	1 1/4"	YP3024	1,044.	979.	1,047.	1,126.
	36"	24"	1 1/4"	YP3624	1,119.	1,009.	1,087.	1,183.
	42"	24"	1 1/4"	YP4224	1,182.	1,031.	1,117.	1,232.
	48"	24"	1 1/4"	YP4824	1,242.	1,053.	1,148.	1,277.
	54"	24"	1 1/4"	YP5424	1,311.	1,082.	1,185.	1,333.
	60"	24"	1 1/4"	YP6024	1,420.	1,159.	1,272.	1,438.
	66"	24"	1 1/4"	YP6624	1,487.	1,189.	1,311.	1,492.
	72"	24"	1 1/4"	YP7224	1,555.	1,212.	1,342.	1,542.
	78"	24"	1 1/4"	YP7824	1,623.	1,241.	1,381.	1,597.
	84"	24"	1 1/4"	YP8424	1,685.	1,263.	1,411.	1,645.
	90"	24"	1 1/4"	YP9024	1,785.	1,330.	1,488.	1,737.
	96"	24"	1 1/4"	YP9624	1,845.	1,352.	1,518.	1,787.

Ordering Information

Overlay Desk Tops

1. Pattern Number
2. Top Finish
3. Edge Finish
(for laminate tops only)

Order Code

Overlay Desk Tops

Example: **YP7824, 311, V440**

YT	Table
78	Width
24	Depth
311	Solid Gallery White Top
V440	Natural Hemlock Edge

Included With

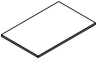

Overlay Desk Tops

Options

Overlay Desk Tops

Top Finish Options:
Add a (C) for color core laminate or (V) for veneer suffix to pattern number.

Overlay Tops for Desks 27" and 30" Deep Rectangular

description	w	d	h	pattern no.	Color Core Laminate (C)	V1 (V)	V2 (V)	V3 (V)
Overlay Desk Tops, 27" Deep Rectangular 	30"	27"	1 1/4"	YP3027	\$1,105.	\$1,012.	\$1,087.	\$1,177.
	36"	27"	1 1/4"	YP3627	1,173.	1,036.	1,118.	1,229.
	42"	27"	1 1/4"	YP4227	1,265.	1,084.	1,178.	1,307.
	48"	27"	1 1/4"	YP4827	1,338.	1,115.	1,218.	1,365.
	54"	27"	1 1/4"	YP5427	1,404.	1,139.	1,251.	1,419.
	60"	27"	1 1/4"	YP6027	1,509.	1,201.	1,323.	1,512.
	66"	27"	1 1/4"	YP6627	1,575.	1,223.	1,355.	1,560.
	72"	27"	1 1/4"	YP7227	1,647.	1,246.	1,387.	1,613.
	78"	27"	1 1/4"	YP7827	1,721.	1,276.	1,428.	1,675.
	84"	27"	1 1/4"	YP8427	1,794.	1,301.	1,462.	1,729.
	90"	27"	1 1/4"	YP9027	1,887.	1,357.	1,527.	1,812.
	96"	27"	1 1/4"	YP9627	1,954.	1,380.	1,560.	1,866.
Overlay Desk Tops, 30" Deep Rectangular 	30"	30"	1 1/4"	YP3030	1,141.	1,026.	1,104.	1,206.
	36"	30"	1 1/4"	YP3630	1,227.	1,063.	1,152.	1,275.
	42"	30"	1 1/4"	YP4230	1,307.	1,095.	1,194.	1,340.
	48"	30"	1 1/4"	YP4830	1,384.	1,118.	1,229.	1,394.
	54"	30"	1 1/4"	YP5430	1,468.	1,152.	1,272.	1,460.
	60"	30"	1 1/4"	YP6030	1,566.	1,207.	1,338.	1,546.
	66"	30"	1 1/4"	YP6630	1,649.	1,240.	1,382.	1,612.
	72"	30"	1 1/4"	YP7230	1,727.	1,265.	1,418.	1,670.
	78"	30"	1 1/4"	YP7830	1,806.	1,297.	1,460.	1,734.
	84"	30"	1 1/4"	YP8430	1,883.	1,322.	1,494.	1,792.
	90"	30"	1 1/4"	YP9030	2,002.	1,397.	1,580.	1,899.
	96"	30"	1 1/4"	YP9630	2,073.	1,421.	1,613.	1,956.

Tops

Ordering Information

- Overlay Desk Tops**
1. Pattern Number
 2. Top Finish
 3. Edge Finish
(for laminate tops only)

Order Code

Overlay Desk Tops

Example: **YP7827, 311, V440**

YT	Table
78	Width
27	Depth
311	Solid Gallery White Top
V440	Natural Hemlock Edge

Included With

Overlay Desk Tops

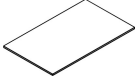
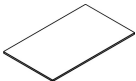
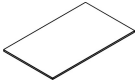
Options

Overlay Desk Tops

Top Finish Options:
Add a (C) for color core laminate or (V) for veneer suffix to pattern number.

Overlay Tops for Desks

36", 42" and 48" Deep Rectangular

description	w	d	h	pattern no.	Color Core Laminate (C)	V1 (V)	V2 (V)	V3 (V)
Overlay Desk Tops, 36" Deep Rectangular 	30"	36"	1 1/4"	YP3036	\$1,227.	\$1,063.	\$1,152.	\$1,275.
	36"	36"	1 1/4"	YP3636	1,323.	1,098.	1,199.	1,348.
	42"	36"	1 1/4"	YP4236	1,410.	1,123.	1,238.	1,412.
	48"	36"	1 1/4"	YP4836	1,506.	1,160.	1,286.	1,488.
	54"	36"	1 1/4"	YP5436	1,600.	1,196.	1,334.	1,562.
	60"	36"	1 1/4"	YP6036	1,718.	1,255.	1,404.	1,661.
	66"	36"	1 1/4"	YP6636	1,811.	1,292.	1,452.	1,733.
	72"	36"	1 1/4"	YP7236	1,900.	1,316.	1,491.	1,800.
	78"	36"	1 1/4"	YP7836	1,987.	1,344.	1,531.	1,866.
	84"	36"	1 1/4"	YP8436	2,075.	1,372.	1,571.	1,933.
	90"	36"	1 1/4"	YP9036	2,192.	1,437.	1,646.	2,034.
	96"	36"	1 1/4"	YP9636	2,287.	1,464.	1,687.	2,101.
Overlay Desk Tops, 42" Deep Rectangular 	42"	42"	1 1/4"	YP4242	1,523.	1,172.	1,297.	1,503.
	84"	42"	1 1/4"	YP8442	2,287.	1,423.	1,646.	2,072.
Overlay Desk Tops, 48" Deep Rectangular 	30"	48"	1 1/4"	YP3048	1,394.	1,132.	1,241.	1,406.
	36"	48"	1 1/4"	YP3648	1,516.	1,175.	1,299.	1,500.
	42"	48"	1 1/4"	YP4248	1,636.	1,216.	1,355.	1,594.
	48"	48"	1 1/4"	YP4848	1,777.	1,245.	1,401.	1,675.
	54"	48"	1 1/4"	YP5448	1,890.	1,276.	1,448.	1,758.
	60"	48"	1 1/4"	YP6048	2,037.	1,341.	1,528.	1,874.
	66"	48"	1 1/4"	YP6648	2,151.	1,374.	1,575.	1,957.
	72"	48"	1 1/4"	YP7248	2,265.	1,406.	1,624.	2,042.
	78"	48"	1 1/4"	YP7848	2,378.	1,439.	1,672.	2,125.
	84"	48"	1 1/4"	YP8448	2,497.	1,474.	1,721.	2,211.
	90"	48"	1 1/4"	YP9048	2,641.	1,543.	1,806.	2,332.
	96"	48"	1 1/4"	YP9648	2,756.	1,576.	1,855.	2,418.

Ordering Information

Overlay Desk Tops

1. Pattern Number
2. Top Finish
3. Edge Finish
(for laminate tops only)

Order Code

Overlay Desk Tops

Example: **YP7836, 311, V440**

YT	Table
78	Width
36	Depth
311	Solid Gallery White Top
V440	Natural Hemlock Edge

Included With

Overlay Desk Tops

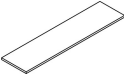


Options

Overlay Desk Tops

Top Finish Options:
Add a (C) for color core laminate or (V) for veneer suffix to pattern number.

Overlay Benching Tops for Desks and Big Tables

18", 24" and 27" Deep Rectangular

description	w	d	h	pattern no.	Color Core Laminate (C)	V1 (V)	V2 (V)	V3 (V)
Overlay Benching Tops, 18" Deep Rectangular 	30"	18"	1 1/4"	YPB3018	\$1,002.	\$780.	\$897.	\$1,075.
	36"	18"	1 1/4"	YPB3618	1,048.	808.	930.	1,115.
	42"	18"	1 1/4"	YPB4218	1,081.	836.	961.	1,154.
	48"	18"	1 1/4"	YPB4818	1,114.	859.	988.	1,185.
	54"	18"	1 1/4"	YPB5418	1,171.	880.	1,012.	1,216.
	60"	18"	1 1/4"	YPB6018	1,225.	947.	1,090.	1,308.
	66"	18"	1 1/4"	YPB6618	1,309.	977.	1,122.	1,348.
	72"	18"	1 1/4"	YPB7218	1,393.	999.	1,149.	1,378.
	78"	18"	1 1/4"	YPB7818	1,476.	1,021.	1,174.	1,407.
	84"	18"	1 1/4"	YPB8418	1,559.	1,050.	1,206.	1,448.
	90"	18"	1 1/4"	YPB9018	1,615.	1,087.	1,248.	1,498.
96"	18"	1 1/4"	YPB9618	1,671.	1,114.	1,281.	1,538.	
Overlay Benching Tops, 24" Deep Rectangular 	30"	24"	1 1/4"	YPB3024	956.	877.	938.	1,062.
	36"	24"	1 1/4"	YPB3624	1,031.	910.	978.	1,117.
	42"	24"	1 1/4"	YPB4224	1,093.	931.	1,008.	1,167.
	48"	24"	1 1/4"	YPB4824	1,154.	952.	1,038.	1,213.
	54"	24"	1 1/4"	YPB5424	1,223.	981.	1,075.	1,267.
	60"	24"	1 1/4"	YPB6024	1,330.	1,060.	1,162.	1,372.
	66"	24"	1 1/4"	YPB6624	1,399.	1,089.	1,201.	1,427.
	72"	24"	1 1/4"	YPB7224	1,465.	1,111.	1,233.	1,477.
	78"	24"	1 1/4"	YPB7824	1,534.	1,141.	1,271.	1,532.
	84"	24"	1 1/4"	YPB8424	1,597.	1,161.	1,302.	1,580.
	90"	24"	1 1/4"	YPB9024	1,694.	1,230.	1,378.	1,673.
96"	24"	1 1/4"	YPB9624	1,757.	1,251.	1,408.	1,722.	
Overlay Benching Tops, 27" Deep Rectangular 	30"	27"	1 1/4"	YPB3027	1,011.	909.	972.	1,111.
	36"	27"	1 1/4"	YPB3627	1,099.	957.	1,030.	1,188.
	42"	27"	1 1/4"	YPB4227	1,173.	980.	1,064.	1,241.
	48"	27"	1 1/4"	YPB4827	1,245.	1,010.	1,104.	1,300.
	54"	27"	1 1/4"	YPB5427	1,311.	1,033.	1,136.	1,353.
	60"	27"	1 1/4"	YPB6027	1,417.	1,097.	1,210.	1,446.
	66"	27"	1 1/4"	YPB6627	1,483.	1,118.	1,240.	1,494.
	72"	27"	1 1/4"	YPB7227	1,555.	1,142.	1,273.	1,550.
	78"	27"	1 1/4"	YPB7827	1,629.	1,174.	1,314.	1,609.
	84"	27"	1 1/4"	YPB8427	1,699.	1,196.	1,348.	1,663.
	90"	27"	1 1/4"	YPB9027	1,795.	1,253.	1,413.	1,747.
96"	27"	1 1/4"	YPB9627	1,861.	1,274.	1,446.	1,799.	

Ordering Information

Overlay Benching Tops

1. Pattern Number
2. Top Finish
3. Edge Finish (for laminate tops only)

Order Code

Overlay Benching Tops

Example: **YPB7824, 311, V440**

YPB	Table
78	Width
24	Depth
311	Solid Gallery White Top
V440	Natural Hemlock Edge

Included With

Overlay Benching Tops

Options

Overlay Benching Tops

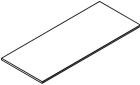
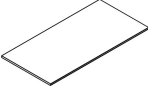
Top Finish Options:

Add a (C) for color core laminate or (V) for veneer suffix to pattern number.

Overlay Benching Tops for Desks and Big Tables

30" and 36" Deep Rectangular

Antenna Workspaces

description	w	d	h	pattern no.	Color Core Laminate (C)	V1 (V)	V2 (V)	V3 (V)
Overlay Benching Tops, 30" Deep Rectangular 	30"	30"	1 1/4"	YPB3030	\$1,043.	\$917.	\$986.	\$1,140.
	36"	30"	1 1/4"	YPB3630	1,132.	955.	1,032.	1,210.
	42"	30"	1 1/4"	YPB4230	1,211.	987.	1,075.	1,274.
	48"	30"	1 1/4"	YPB4830	1,287.	1,010.	1,110.	1,329.
	54"	30"	1 1/4"	YPB5430	1,372.	1,043.	1,153.	1,394.
	60"	30"	1 1/4"	YPB6030	1,468.	1,099.	1,219.	1,482.
	66"	30"	1 1/4"	YPB6630	1,554.	1,132.	1,263.	1,546.
	72"	30"	1 1/4"	YPB7230	1,631.	1,156.	1,298.	1,604.
	78"	30"	1 1/4"	YPB7830	1,710.	1,188.	1,340.	1,669.
	84"	30"	1 1/4"	YPB8430	1,787.	1,213.	1,376.	1,725.
	90"	30"	1 1/4"	YPB9030	1,905.	1,289.	1,461.	1,833.
	96"	30"	1 1/4"	YPB9630	1,977.	1,311.	1,494.	1,889.
Overlay Benching Tops, 36" Deep Rectangular 	30"	36"	1 1/4"	YPB3036	1,122.	947.	1,024.	1,208.
	36"	36"	1 1/4"	YPB3636	1,219.	982.	1,070.	1,282.
	42"	36"	1 1/4"	YPB4236	1,306.	1,008.	1,109.	1,345.
	48"	36"	1 1/4"	YPB4836	1,400.	1,044.	1,157.	1,422.
	54"	36"	1 1/4"	YPB5436	1,494.	1,081.	1,205.	1,494.
	60"	36"	1 1/4"	YPB6036	1,612.	1,140.	1,275.	1,595.
	66"	36"	1 1/4"	YPB6636	1,708.	1,176.	1,323.	1,668.
	72"	36"	1 1/4"	YPB7236	1,796.	1,202.	1,363.	1,733.
	78"	36"	1 1/4"	YPB7836	1,883.	1,229.	1,402.	1,798.
	84"	36"	1 1/4"	YPB8436	1,970.	1,256.	1,442.	1,867.
	90"	36"	1 1/4"	YPB9036	2,090.	1,321.	1,518.	1,967.
	96"	36"	1 1/4"	YPB9636	2,181.	1,350.	1,558.	2,035.

Ordering Information

- Overlay Benching Tops**
1. Pattern Number
 2. Top Finish
 3. Edge Finish
(for laminate tops only)

Order Code

Overlay Benching Tops

Example: **YPB7830, 311, V440**

YPB	Table
78	Width
30	Depth
311	Solid Gallery White Top
V440	Natural Hemlock Edge

Included With

Overlay Benching Tops

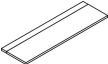
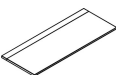
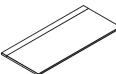
Options

Overlay Benching Tops

Top Finish Options:
Add a (C) for color core laminate or (V) for veneer suffix to pattern number.

Overlay Hinged Access Tops for Big Tables

18", 24" and 27" Deep Rectangular

description	w	d	h	pattern no.	Color Core Laminate (C)	V1 (V)	V2 (V)	V3 (V)
Overlay Big Table Tops, 18" Deep Rectangular with Hinged Access 	48"	18"	1 1/4"	YPH4818	\$1,559.	\$1,193.	\$1,322.	\$1,519.
	54"	18"	1 1/4"	YPH5418	1,615.	1,215.	1,346.	1,550.
	60"	18"	1 1/4"	YPH6018	1,671.	1,281.	1,424.	1,642.
	66"	18"	1 1/4"	YPH6618	1,755.	1,311.	1,457.	1,683.
	72"	18"	1 1/4"	YPH7218	1,839.	1,334.	1,483.	1,712.
	78"	18"	1 1/4"	YPH7818	1,921.	1,355.	1,508.	1,741.
	84"	18"	1 1/4"	YPH8418	2,005.	1,384.	1,541.	1,782.
Overlay Big Table Tops, 24" Deep Rectangular with Hinged Access 	48"	24"	1 1/4"	YPH4824	1,616.	1,304.	1,380.	1,601.
	54"	24"	1 1/4"	YPH5424	1,689.	1,331.	1,413.	1,656.
	60"	24"	1 1/4"	YPH6024	1,811.	1,428.	1,518.	1,785.
	66"	24"	1 1/4"	YPH6624	1,878.	1,456.	1,555.	1,845.
	72"	24"	1 1/4"	YPH7224	1,977.	1,512.	1,617.	1,930.
	78"	24"	1 1/4"	YPH7824	2,057.	1,539.	1,651.	1,987.
	84"	24"	1 1/4"	YPH8424	2,119.	1,557.	1,678.	2,037.
Overlay Big Table Tops, 27" Deep Rectangular with Hinged Access 	48"	27"	1 1/4"	YPH4827	1,670.	1,338.	1,420.	1,663.
	54"	27"	1 1/4"	YPH5427	1,754.	1,357.	1,447.	1,716.
	60"	27"	1 1/4"	YPH6027	1,895.	1,465.	1,564.	1,857.
	66"	27"	1 1/4"	YPH6627	1,972.	1,485.	1,594.	1,913.
	72"	27"	1 1/4"	YPH7227	2,072.	1,542.	1,657.	2,002.
	78"	27"	1 1/4"	YPH7827	2,156.	1,571.	1,695.	2,065.
	84"	27"	1 1/4"	YPH8427	2,229.	1,590.	1,723.	2,117.

Tops

Ordering Information

Overlay Big Table Tops

1. Pattern Number
2. Top Finish
3. Edge Finish
(for laminate tops only)
4. Paint Finish

Order Code

Overlay Big Table Tops

Example: **YPH7824, 311, V440, 118T**

YTH	Table
78	Width
24	Depth
311	Solid Gallery White Top
V440	Natural Hemlock Edge
118T	Bright White Paint

Included With

Overlay Big Table Tops

Options

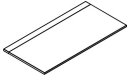
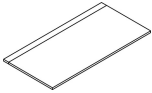
Overlay Big Table Tops

Top Finish Options:

Add a (C) for color core laminate or (V) for veneer suffix to pattern number.

Overlay Hinged Access Tops for Big Tables

30" and 36" Deep Rectangular

description	w	d	h	pattern no.	Color Core Laminate (C)	V1 (V)	V2 (V)	V3 (V)
Overlay Big Table Tops, 30" Deep Rectangular with Hinged Access 	48"	30"	1 1/4"	YPH4830	\$1,766.	\$1,376.	\$1,463.	\$1,729.
	54"	30"	1 1/4"	YPH5430	1,849.	1,405.	1,503.	1,797.
	60"	30"	1 1/4"	YPH6030	1,962.	1,468.	1,575.	1,897.
	66"	30"	1 1/4"	YPH6630	2,044.	1,498.	1,612.	1,968.
	72"	30"	1 1/4"	YPH7230	2,143.	1,557.	1,683.	2,057.
	78"	30"	1 1/4"	YPH7830	2,240.	1,580.	1,715.	2,108.
	84"	30"	1 1/4"	YPH8430	2,310.	1,608.	1,754.	2,184.
Overlay Big Table Tops, 36" Deep Rectangular with Hinged Access 	48"	36"	1 1/4"	YPH4836	1,873.	1,528.	1,654.	1,855.
	54"	36"	1 1/4"	YPH5436	1,967.	1,564.	1,700.	1,930.
	60"	36"	1 1/4"	YPH6036	2,086.	1,624.	1,772.	2,027.
	66"	36"	1 1/4"	YPH6636	2,179.	1,658.	1,820.	2,100.
	72"	36"	1 1/4"	YPH7236	2,268.	1,685.	1,858.	2,168.
	78"	36"	1 1/4"	YPH7836	2,355.	1,712.	1,898.	2,232.
	84"	36"	1 1/4"	YPH8436	2,444.	1,739.	1,938.	2,300.

Ordering Information

Overlay Big Table Tops

1. Pattern Number
2. Top Finish
3. Edge Finish (for laminate tops only)
4. Paint Finish

Order Code

Overlay Big Table Tops

Example: **YPH7830, 311, V440, 118T**

YTH	Table
78	Width
30	Depth
311	Solid Gallery White Top
V440	Natural Hemlock Edge
118T	Bright White Paint

Included With

Overlay Big Table Tops

Options


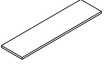


Overlay Big Table Tops

Top Finish Options:
Add a (C) for color core laminate or (V) for veneer suffix to pattern number.

Overlay Extension Tops for Desks and Big Tables

15" Wide and 18" Wide Rectangular

Antenna Workspaces

description	type	w	d	h	pattern no.	Color Core	V1	V2	V3
						Laminate (C)			
Overlay Desk Extension Tops, 15" Wide Rectangular 	For use with 24" deep desk tops	15"	24"	1 1/4"	YPE1524	\$953.	\$781.	\$825.	\$885.
	For use with 27" deep desk tops	15"	27"	1 1/4"	YPE1527	977.	789.	836.	904.
	For use with 30" deep desk tops	15"	30"	1 1/4"	YPE1530	1,003.	801.	849.	923.
	For use with 36" deep desk tops	15"	36"	1 1/4"	YPE1536	1,056.	815.	869.	959.
Overlay Back to Back Desk Extension Tops, 15" Wide Rectangular 	For use with 18" deep back to back tops	15"	39 3/4"	1 1/4"	YPE1539	1,095.	836.	891.	1,036.
	For use with 24" deep back to back tops	15"	51 3/4"	1 1/4"	YPE1552	1,215.	868.	938.	1,069.
	For use with 27" deep back to back tops	15"	57 3/4"	1 1/4"	YPE1558	1,264.	886.	960.	1,109.
	For use with 30" deep back to back tops	15"	63 3/4"	1 1/4"	YPE1564	1,308.	898.	980.	1,142.
	For use with 36" deep back to back tops	15"	75 3/4"	1 1/4"	YPE1576	1,337.	923.	995.	1,171.
Overlay Dual Sided Big Table Extension Tops, 15" Wide Rectangular 	For use with 18" deep dual big table tops	15"	41 1/2"	1 1/4"	YPE1541	1,095.	836.	891.	1,036.
	For use with 24" deep dual big table tops	15"	53 1/2"	1 1/4"	YPE1553	1,215.	868.	938.	1,069.
	For use with 27" deep dual big table tops	15"	59 1/2"	1 1/4"	YPE1559	1,264.	886.	960.	1,109.
	For use with 30" deep dual big table tops	15"	65 1/2"	1 1/4"	YPE1565	1,308.	898.	980.	1,142.
	For use with 36" deep dual big table tops	15"	77 1/2"	1 1/4"	YPE1577	1,337.	923.	995.	1,171.
Overlay Dual Sided Big Table Extension Tops, 18" Wide Rectangular 	For use with 18" deep dual big table tops	18"	41 1/2"	1 1/4"	YPE1841	1,315.	1,008.	1,071.	1,246.
	For use with 24" deep dual big table tops	18"	53 1/2"	1 1/4"	YPE1853	1,459.	1,039.	1,124.	1,283.
	For use with 27" deep dual big table tops	18"	59 1/2"	1 1/4"	YPE1859	1,517.	1,061.	1,151.	1,331.
	For use with 30" deep dual big table tops	18"	65 1/2"	1 1/4"	YPE1865	1,570.	1,082.	1,167.	1,368.
	For use with 36" deep dual big table tops	18"	77 1/2"	1 1/4"	YPE1877	1,602.	1,109.	1,193.	1,405.

Tops

Ordering Information

Overlay Extension Tops

1. Pattern Number
2. Top Finish
3. Edge Finish (for laminate tops only)

Order Code

Overlay Extension Tops

Example: **YPE1559, 311, V440**

YP	Table
E	Extension
78	Width
30	Depth
311	Solid Gallery White Top
V440	Natural Hemlock Edge

Included With

Overlay Extension Tops

Options

Overlay Extension Tops

Top Finish Options:

Add a (C) for color core laminate or (V) for veneer suffix to pattern number.

Antenna desks, returns, bridges and tables have a simple structure: tops are supported by a combination of rails and legs. All can be specified as complete kits or by combining a few basic components.

Desks and Tables

Desks are assembled from a top, starter rails and two corresponding depth desk end legs. Starter rails are inset 1 1/2" from each end of the top and end legs are inset 1 1/2" from front and back edges of top. Desk end legs are an inverted U-shape that connects to the underside of the rails at any point within stability guidelines.

Desks can be assembled with tops up to 48" deep, starter rails and desk end legs. Desk end legs are different from table desk end legs, which are used for stand-alone tables.

Unlike desk end legs that attach to the underside of rails, table desk end legs capture the end of the rails. Starter rails without end caps should be specified for stand-alone table desks because the table desk legs cover the ends of the rails, so end caps are not needed. Table desk end legs can only be installed at the end of the worksurface and are taller than the desk end legs, so knees can fit under the end of the table.

Returns are assembled with tops 18"-48" deep, return rails, and an end leg. Return rails are 6" wider than the return top that is connecting to the perpendicular desk rails.

Bridges are assembled from tops and bridge rails. Bridge rails are 9" wider than the bridge top that is connecting to perpendicular desks at both ends. Desks with extension tops or desk extension cabinets require

starter rails that are 12" wider than the adjacent top. Returns with extension tops or cabinets require return rails 12" wider than return top width. The desk end leg is positioned where the top and cabinet meet.

Tops planned end-to-end can share a desk end leg where the tops meet, but require one set of starter rails and one set of extended rails, which are 3" wider than the top.

Back-to-back desk tops can be supported by two sets of starter rails and back-to-back end legs. Designed to create a 3 3/4" space between the back-to-back tops for a desk mounted screen and wire drops on each side, back-to-back end legs are inset 1 1/2" from the front edges of the tops.

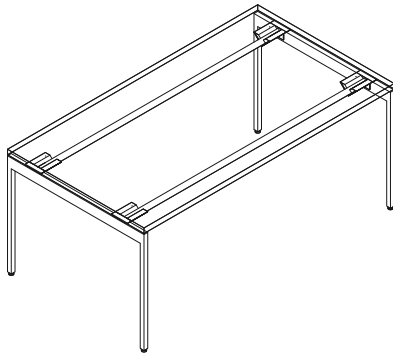


Table Desk End Leg Detail



Table Desk Side Elevation

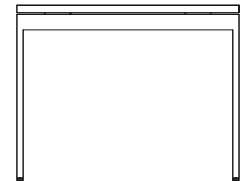
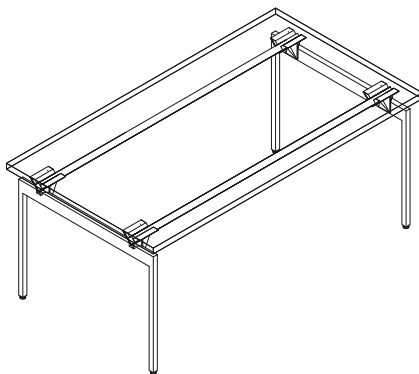


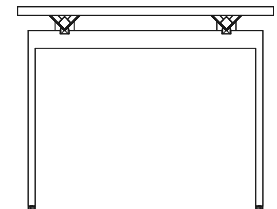
Table Desk End Elevation



Desk End Leg Detail



Desk Side Elevation



Desk End Elevation

Dual sided big tables are comprised of back to back tops with two sets of starter rails equal to the width of the tops and a center beam between, which span across two end legs for dual sided big tables. The center beam and starter rails correspond in width to the tops on either side.

End to end big table tops are supported by two pairs of extended rails, an additional center beam and an additional intermediate leg for each additional pair of tops.

Big tables with extension tops or desk extension cabinets require starter rails or extended rails 12" wider than the adjacent tops. The end leg is positioned where the top and cabinet meet. Center beam matches the top width.

End legs and intermediate legs for dual sided big tables with 24", 27" or 30" deep tops are always

50 1/2" deep. Legs are inset 1 1/2" from front edge of 24"D tops, 4 1/2" from front edge of 27"D tops and 7 1/2" from front of 30"D tops. Dual sided big table end and intermediate legs for 18" deep tops are 38 1/2" deep and inset 1 1/2" from the front edges of 18" deep tops. End legs and intermediate legs for dual sided big tables with 36" deep tops are 62 1/2" deep and inset 7 1/2" from front edges of 36" deep tops. For 36" deep dual sided big tables with tops wider than 54", an additional midspan support for the center beam must be specified separately. End legs can be positioned up to 6" in from ends of a big table and intermediate legs must be mounted directly under the joint of two tops.

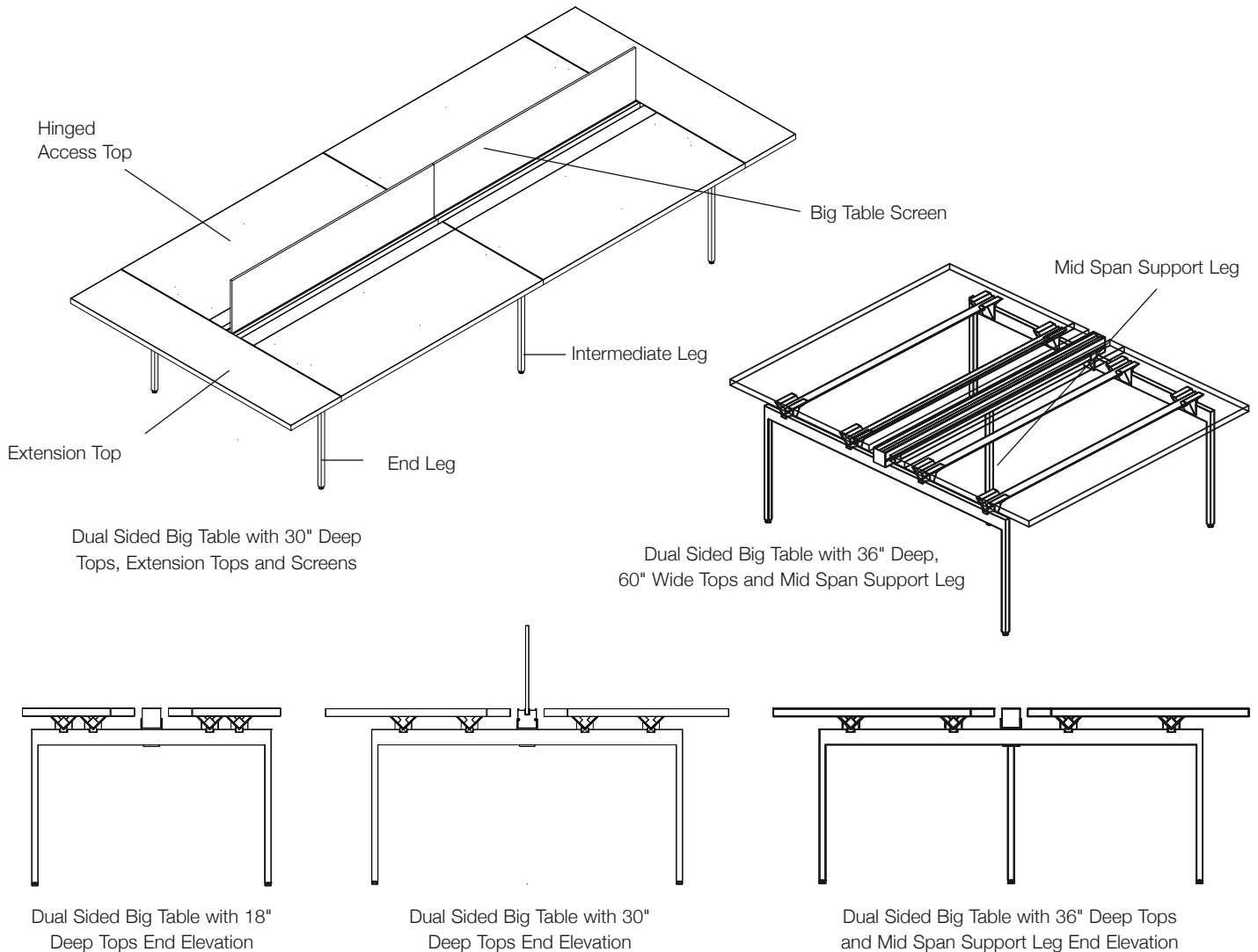
Inset intermediate legs offer more knee space than standard intermediate legs. Inset legs are only 35 1/2" deep, so are recessed 9" from front edge of 24"D tops,

12" from front edge of 27"D tops, and 15" from front of 30"D tops. Inset intermediate legs for 36" deep dual sided big tables are 47 1/2" deep and recessed 15" from front edge of top. There are no inset intermediate legs available for 18" deep big tables.

Returns can be attached anywhere along big tables. Standard desk return rails can be specified with 18" or 24" deep big table tops. Since rails on big table tops deeper than 24" are recessed further from the front edge, return rails are 6" wider than return tops for big tables 27" deep and 9" wider than return tops for big tables 30" or 36" deep.

Antenna tops can serve as economical shared returns up to 48" deep with a single end leg or table desk end leg and one set of return rails.

Desk and Table Support



Antenna Workspaces offers two versions of single sided big tables: basic and full back. Basic big tables can support power distribution, beam-mounted screens, Sapper monitor arms, platforms and cantilever shelves. Basic big tables do not support stanchion mounted open or enclosed cabinets, and are limited to 6" deep cable baskets below the center beam. Full back big tables, with an added 7 1/2" deep top on the back side of the center beam, add the options of full back panels, extension tops or stanchion mounted storage cabinets, and enable 12" deep as well as 6" cable baskets in the same configuration as dual tables.

Basic Single Sided Big Tables

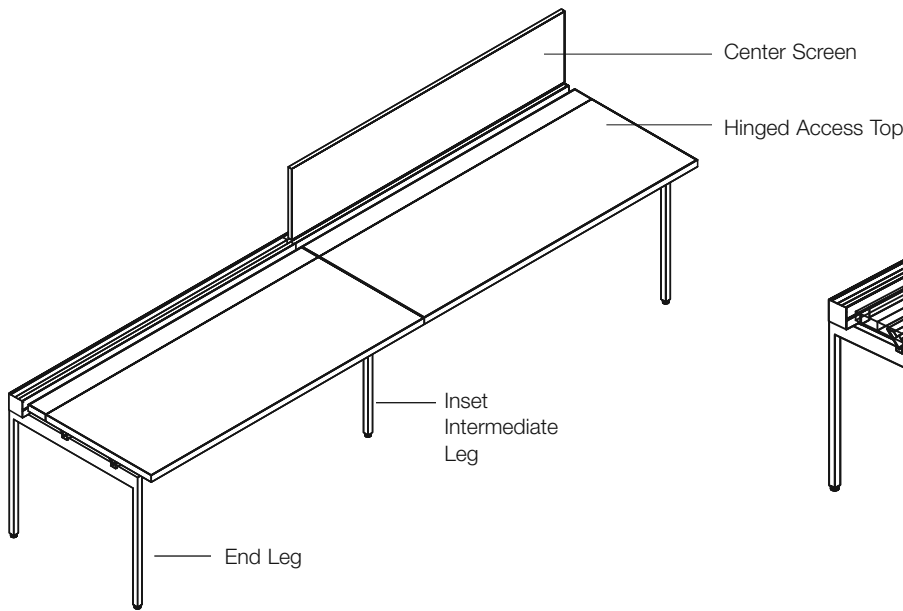
Single sided basic big tables include a top with starter rails and a center beam, which span across two end legs. The center beam and starter rails correspond in width to the desk top width. Adjacent big table tops are supported by a pair of extended rails on an additional intermediate leg, with corresponding width center beam.

Overall depth for basic single sided tables is about 5 1/2" greater than the big table tops. End legs and intermediate legs for basic single sided big tables with 18" deep tops are set back 1 1/2" from the front edge. End legs and intermediate legs for tables with tops that are 24", 27" or 30" deep are set back 1 1/2" from

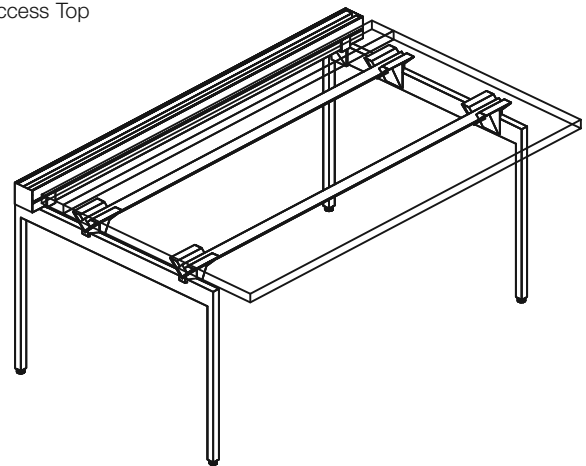
the front edge of 24" deep tops, 4 1/2" from the front of 27" deep tops, and 7 1/2" from the front of 30" deep tops. End legs and intermediate legs for basic big tables with 36" deep tops are set back 7 1/2" from the front edge.

For big tables with tops deeper than 18", inset intermediate legs offer more kneespace than standard intermediate legs: inset intermediate legs are recessed 9" from front edge of 24" deep tops, 12" from front of 27" deep tops and 15" from front of 30" or 36" deep tops.

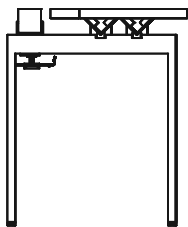
End legs can be positioned from 1 1/2" to 6" in from the end of a big table top. Intermediate legs or inset intermediate legs must be mounted directly under the joint of two tops.



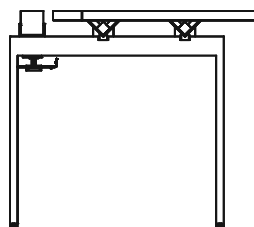
Basic Single Sided Big Table with 27" Deep Tops and Center Screen



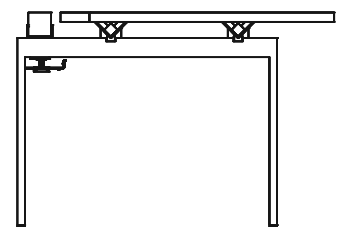
Basic Single Sided Big Table with 36" Deep Top



Basic Single Sided Big Table with 18" Deep Top



Basic Single Sided Big Table with 27" Deep Top



Basic Single Sided Big Table with 36" Deep Top End Elevation

Full Back Single Sided Big Tables

Single sided full back big tables include a top with pair of starter rails, a 7 1/2" deep back top with a single starter rail, and a center beam, which span across two end legs. The back top, center beam and starter rails correspond in width to the desk top width. Adjacent big table tops and back tops are supported by a pair of extended rails and a single extended rail, on an additional intermediate leg, with corresponding width center beam.

Big tables with extension tops require starter rails or extended rails for tops 12" wider than the actual adjacent big table tops. The center beam should remain the same width as the big table tops, and the end leg is positioned where the tops meet the extension.

Overall depth of full back single sided big tables is about 13" more than the big table tops. End legs and intermediate legs for full back, single sided big tables with 18" deep tops are set back 1 1/2" from the front edge. End legs and intermediate legs for tables with tops that are 24", 27" or 30" deep are, set back 1 1/2" from the front edge of 24" deep tops, 4 1/2" from the front of 27" deep tops, and 7 1/2" from the front of 30" deep tops. End legs and intermediate legs for basic big tables with 36" deep tops are set back 7 1/2" from the front edge.

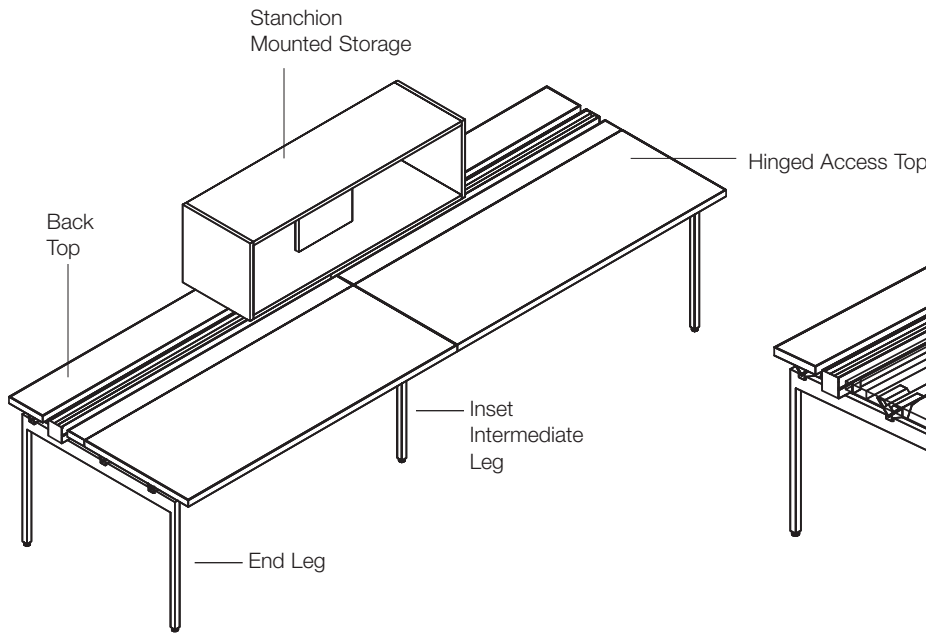
For big tables with tops deeper than 18", inset intermediate legs offer more kneespace than standard intermediate legs: inset intermediate legs are recessed 9" from front edge of 24" deep tops, 12" from front of 27" deep tops and 15" from front of 30" or 36" deep tops.

End legs can be positioned from 1 1/2" to 6" in from the end of a big table top, or centered under the joint of a top and extension top. Intermediate legs or inset intermediate legs must be mounted directly under the joint of two tops.

Returns For Single Sided Big Tables

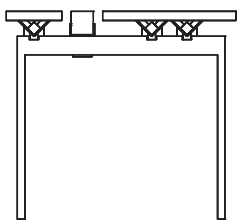
Returns can be attached anywhere along basic or full back single sided big tables. Standard desk return rails can be specified with 18" or 24" deep big table tops. Since rails on deeper big tables are recessed further from the front edge, specify return rails 6" wider than the actual return top width for 27"D big tables, and 9" wider than the actual return width for 30" or 36" deep big tables.

Desk and Table Support

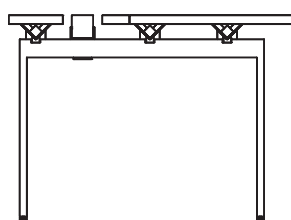


Single Sided Full Back Big Table with 27" Deep Tops and Stanchion Mounted Open Cabinet

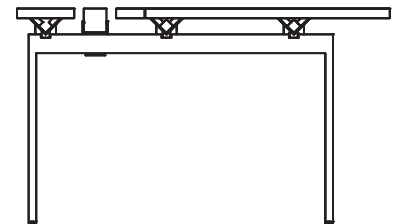
Full Back Single Sided Big Table with 36" Deep Tops



Single Sided Full Back Big Table with 18" Deep Tops End Elevation



Single Sided Full Back Big Table with 27" Deep Tops End Elevation



Single Sided Full Back Big Table with 36" Deep Tops

When specified and installed correctly, Antenna desks are extraordinarily strong and stable and meet or exceed BIFMA stability guidelines.

Rails can support Antenna tops and Overlay tops for up to 84" between supports, so desk tops wider than 84", returns wider than 78" or bridges wider than 72" require intermediate support from a desk end leg, floorstanding pedestal or Template

storage unit. Desk and big table tops are able to span 48"-84" between end legs.

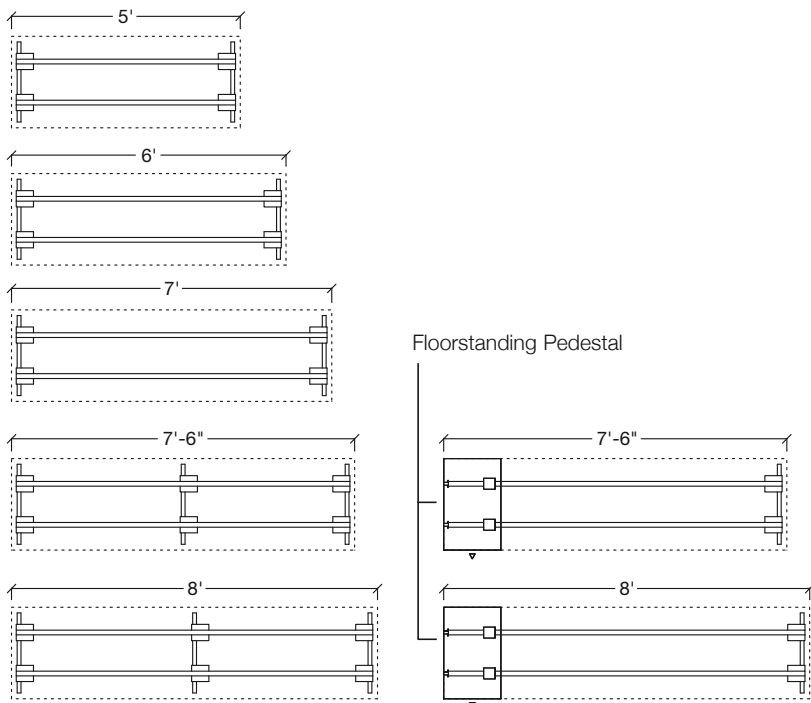
Desk end legs can be inset up to 6" from each end of freestanding desks of any width or up to 15" from ends of tops wider than 78". Rails for tops extending more than 7 1/2" should be fitted with YBCDE connectors to attach the end of the rail to the top.

Standing height end legs can create standing height tables from 48" to 72"

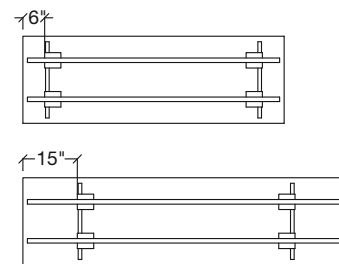
wide. Standing height end legs may not be used with single tops wider than 72".

For stability of desks with suspended storage and legs positioned inside of the cabinet, desk top must be anchored to the cabinet and desk top must be anchored to the other end with a floorstanding pedestal, a Template storage unit, Fence, a return or a bridge top.

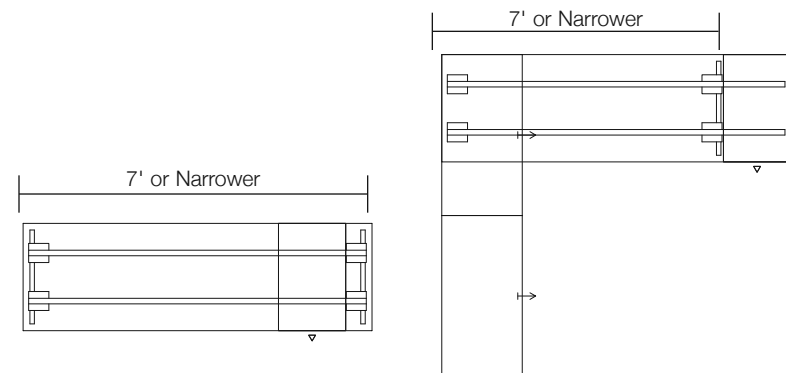
Fence with stanchion mounted storage must be anchored to a desk to provide sufficient stability.



Desk Support Stability Guidelines

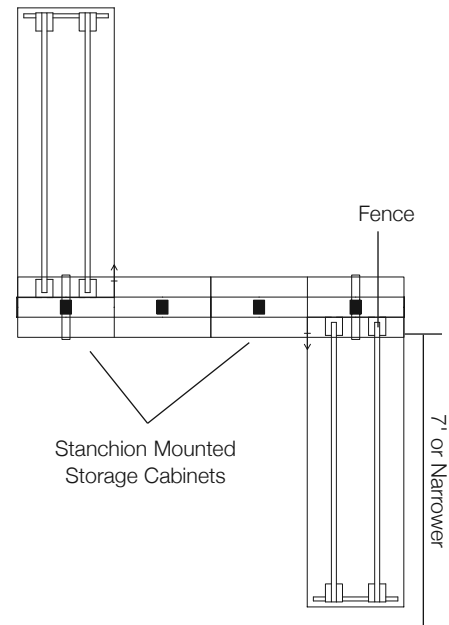


Standard End Leg Positions

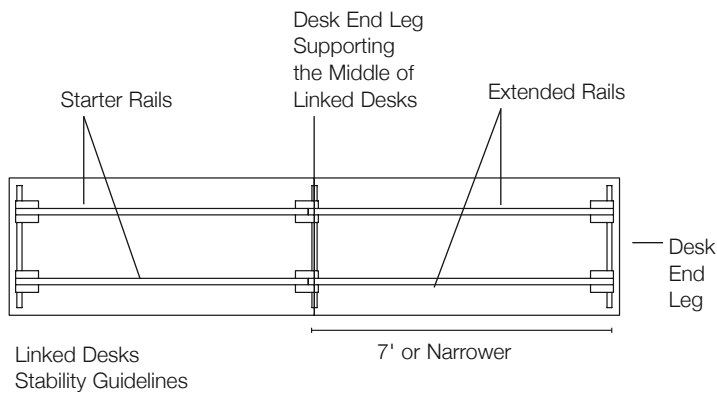
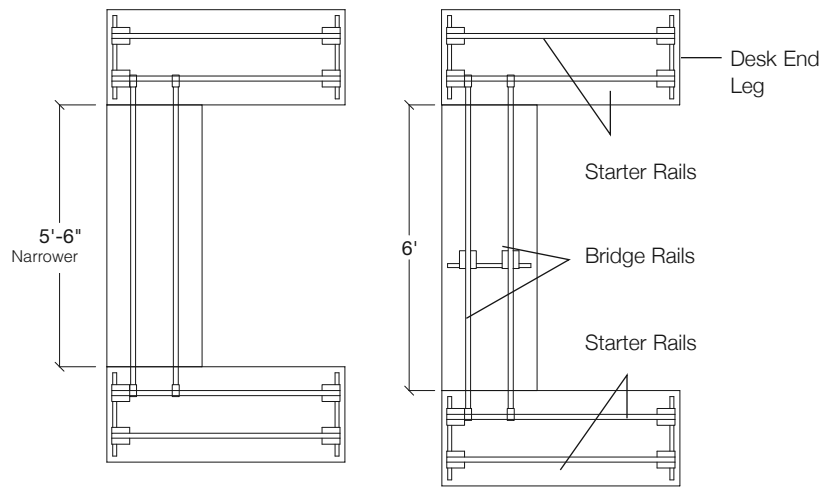
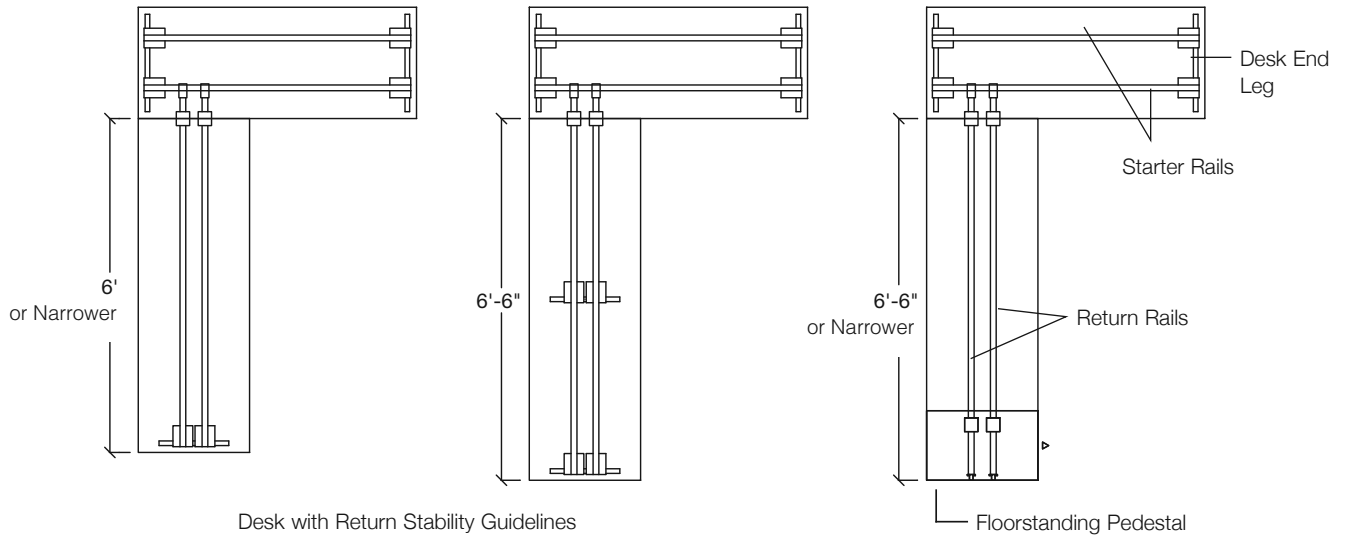


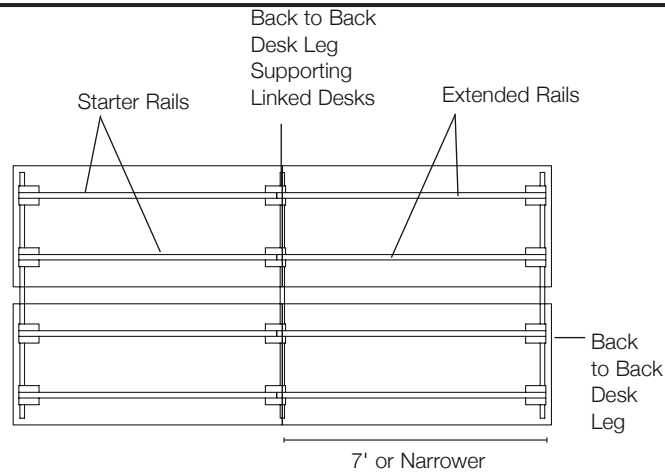
Desk with Suspended Storage Inside of Leg

Desk with Suspended Storage Outside of Leg

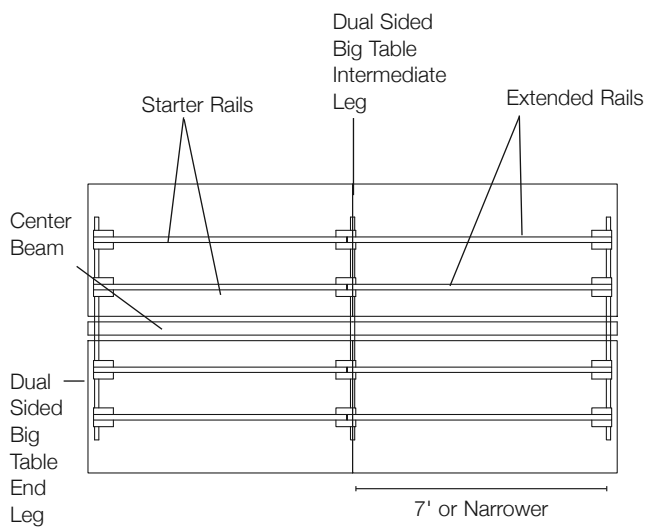


Fence Storage Stability Guidelines

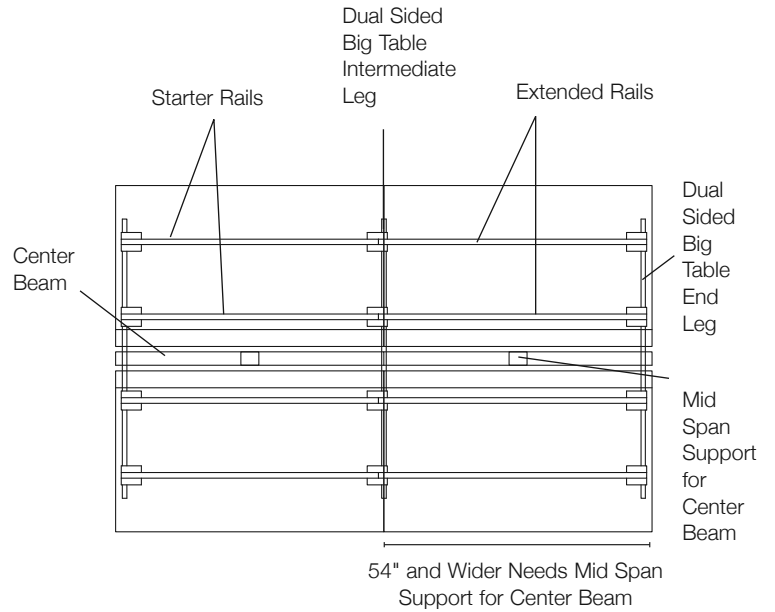




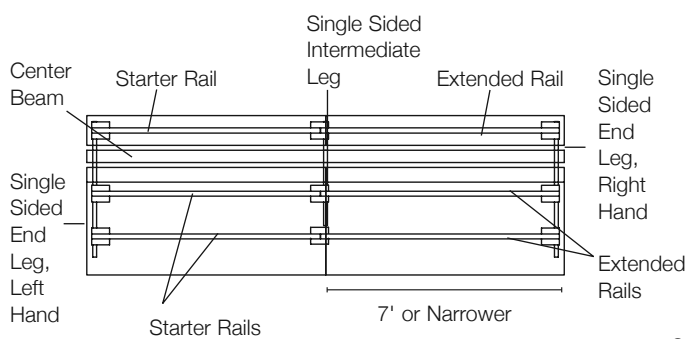
Back to Back Desks Stability Guidelines



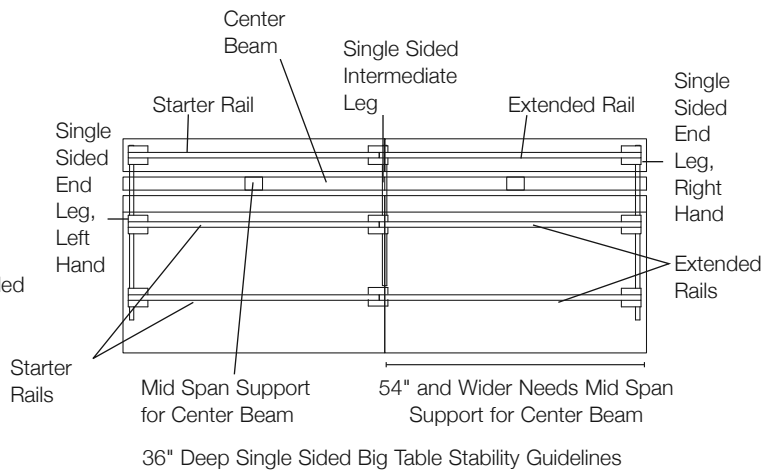
18", 24", 27" or 30" Deep Dual Sided Big Table Stability Guidelines



36" Deep Dual Sided Big Table Stability Guidelines



18", 24", 27" or 30" Deep Single Sided Big Table Stability Guidelines



36" Deep Single Sided Big Table Stability Guidelines

Starter and Extended Rails

Planning Guidelines and Specifications

Rails are a pair of painted steel tubes used to support an Antenna top and connect to the end legs. Rails correspond in width to the top or combination of top and extension top or cabinet. Rails are available in complete sets for specific applications: starter, extended, return and bridge.

Starter rails support an independent desk top, the first top in a linked cluster of desks or the first top in single-sided or dual big table applications. Starter rails include two rails 3" less than the width of a top, four end caps and spacers to support the center of the top above the rails. Starter rails are also available without end caps for use in table desk applications. Table desk end legs cover the ends of the rails,

so end caps are not needed. Starter rails are available in 6" increments from 33" to 93" wide.

Extended rails support a desk top planned end-to-end with another desk top, in both single-sided and dual big table configurations. Intermediate leg should be centered and cradles positioned to join the adjacent rails where the two desk tops meet. Extended rails include two rails the same width as a top, spacers and top to top brackets. Extended rails are available in 6" increments from 36" to 96" wide.

A single sided big table primary top uses the same starter and extended rails as dual sided big table tops. A single starter or extended rail must be specified to support the 7 1/2" deep back-top that is on the opposite side of

the center beam from the primary top. Single rails should be specified the same width as the rail pairs specified for the primary top.

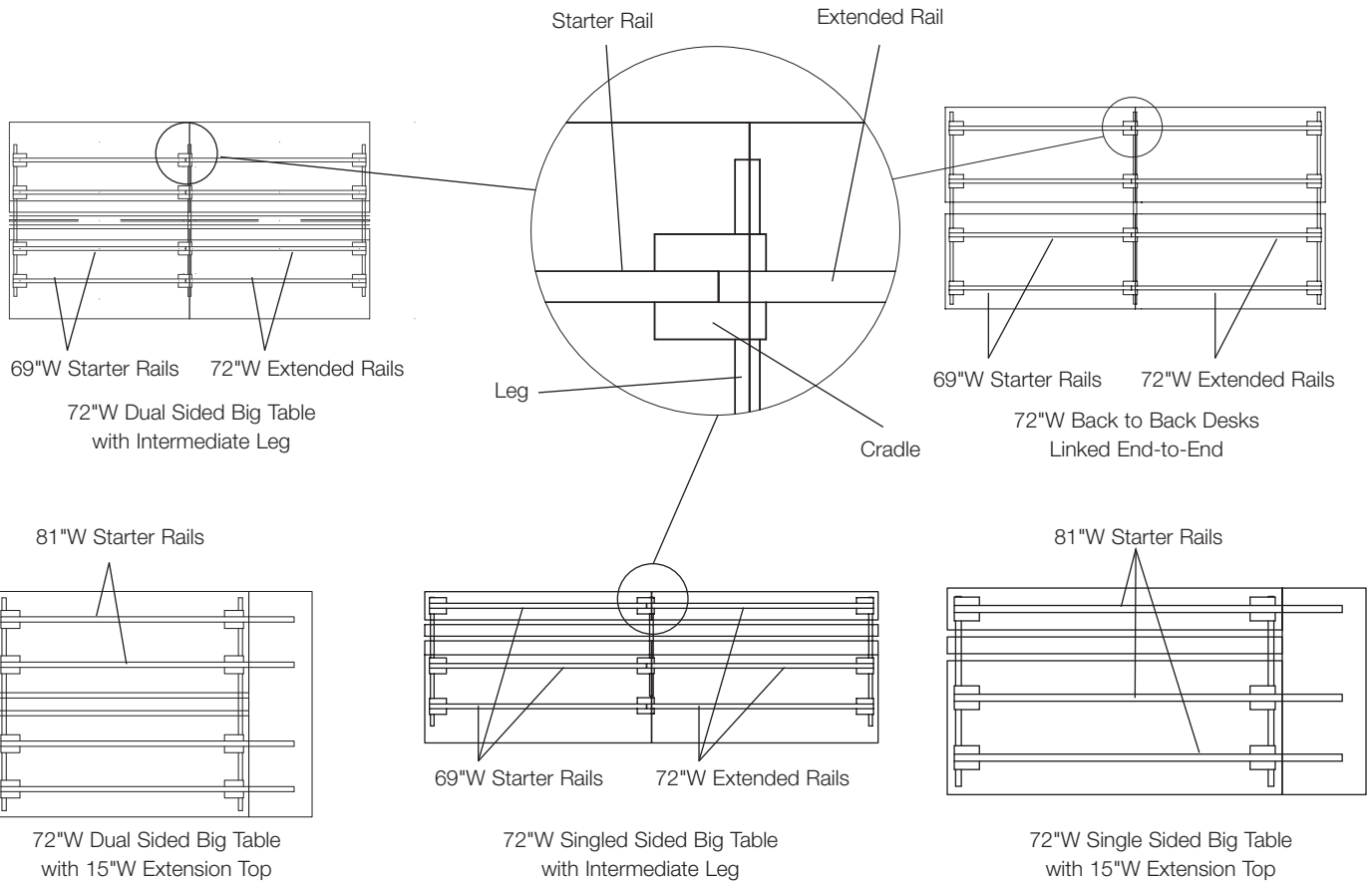
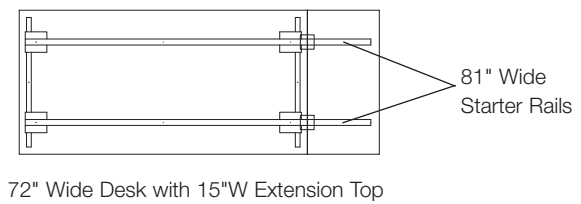
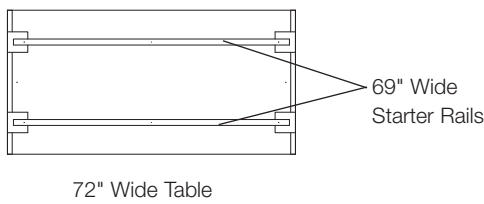
Connector kits for extension tops are required when cantilevering an extension surface to rails beyond a desk end leg. Desk or big tables rails should be specified 12" wider than adjacent surface for 15"W extension tops or 15" wider than adjacent surface for 18"W extension tops.

Construction

Rails are 1 1/4" square steel tube. End caps are die cast aluminium. Return adapters are die cast aluminium.

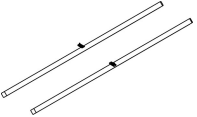
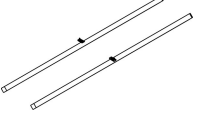
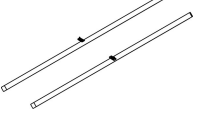

Specifications Options

Specify rails and end caps in any Knoll core, Dark Red or Slate Blue paint finish.



Starter and Extended Rails

Rail Pairs For Desks, Tables or Big Tables

description	type	w	d	h	pattern no.	list
 Starter Rails with End Caps (pair)	For 36" Wide Desk	33"	1"	1"	YBRS33	\$107.
	For 42" Wide Desk	39"	1"	1"	YBRS39	126.
	For 48" Wide Desk	45"	1"	1"	YBRS45	138.
	For 54" Wide Desk	51"	1"	1"	YBRS51	177.
	For 60" Wide Desk	57"	1"	1"	YBRS57	180.
	For 66" Wide Desk	63"	1"	1"	YBRS63	185.
	For 72" Wide Desk	69"	1"	1"	YBRS69	190.
	For 78" Wide Desk	75"	1"	1"	YBRS75	193.
	For 84" Wide Desk	81"	1"	1"	YBRS81	299.
	For 90" Wide Desk	87"	1"	1"	YBRS87	304.
	For 96" Wide Desk	93"	1"	1"	YBRS93	306.
 Starter Rails without End Caps, For Use with Table Desks (pair)	For 36" Wide Desk	33"	1"	1"	YBRT33	91.
	For 42" Wide Desk	39"	1"	1"	YBRT39	100.
	For 48" Wide Desk	45"	1"	1"	YBRT45	124.
	For 54" Wide Desk	51"	1"	1"	YBRT51	162.
	For 60" Wide Desk	57"	1"	1"	YBRT57	165.
	For 66" Wide Desk	63"	1"	1"	YBRT63	171.
	For 72" Wide Desk	69"	1"	1"	YBRT69	175.
	For 78" Wide Desk	75"	1"	1"	YBRT75	178.
	For 84" Wide Desk	81"	1"	1"	YBRT81	285.
	For 90" Wide Desk	87"	1"	1"	YBRT87	290.
	For 96" Wide Desk	93"	1"	1"	YBRT93	292.
 Starter Rails without End Caps, For Use with Antenna Tops with Two Extension Tops (pair)	For 102" Wide Table	99"	1"	1"	YBRT99	373.
	For 108" Wide Table	105"	1"	1"	YBRT105	383.
	For 114" Wide Table	111"	1"	1"	YBRT111	392.
 Extended Rails (pair)	For 36" Wide Desk	36"	1"	1"	YBRE36	84.
	For 42" Wide Desk	42"	1"	1"	YBRE42	105.
	For 48" Wide Desk	48"	1"	1"	YBRE48	152.
	For 54" Wide Desk	54"	1"	1"	YBRE54	155.
	For 60" Wide Desk	60"	1"	1"	YBRE60	159.
	For 66" Wide Desk	66"	1"	1"	YBRE66	162.
	For 72" Wide Desk	72"	1"	1"	YBRE72	168.
	For 78" Wide Desk	78"	1"	1"	YBRE78	274.

Ordering Information

- Rails**
 1. Pattern Number
 2. Paint Finish

Order Code

Rails	
<i>Example:</i>	YBRS63, 118T
YBR	Rails
S	Starter
63	Width
118T	Bright White Paint

Included With

- Starter Rails**
 Spacers
 End Caps (not included with Table Desk rails)
- Extended Rails**
 Spacers
 Flat Brackets

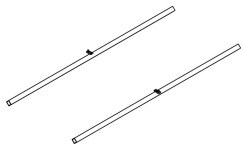
Options

- Rails**

Starter and Extended Rails

Rail Pairs For Desks, Tables or Big Tables

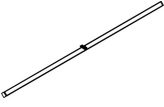
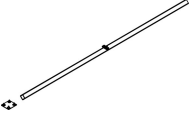
description	type	w	d	h	pattern no.	list
Extended Rails (pair)	For 84" Wide Desk	84"	1"	1"	YBRE84	\$277.
	For 90" Wide Desk	90"	1"	1"	YBRE90	282.
	For 96" Wide Desk	96"	1"	1"	YBRE96	287.



Ordering Information	Order Code	Included With	Options
Rails	Rails	Starter Rails	Rails
1. Pattern Number	<i>Example:</i> YBRS63, 118T	Spacers	
2. Paint Finish	YBR Rails	End Caps (not included with Table Desk rails)	
	S Starter	Extended Rails	
	63 Width	Spacers	
	118T Bright White Paint	Flat Brackets	

Starter and Extended Rails

Rail Singles for Single Sided Big Tables

description	type	w	d	h	pattern no.	list
 <p>Single Starter Rails for Single Sided Big Tables</p>	For 48" Wide Desk	45"	1"	1"	YBRBTS45	\$72.
	For 54" Wide Desk	51"	1"	1"	YBRBTS51	95.
	For 60" Wide Desk	57"	1"	1"	YBRBTS57	97.
	For 66" Wide Desk	63"	1"	1"	YBRBTS63	98.
	For 72" Wide Desk	69"	1"	1"	YBRBTS69	101.
	For 78" Wide Desk	75"	1"	1"	YBRBTS75	104.
	For 84" Wide Desk	81"	1"	1"	YBRBTS81	168.
	For 90" Wide Desk	87"	1"	1"	YBRBTS87	170.
	For 96" Wide Desk	93"	1"	1"	YBRBTS93	171.
 <p>Single Extended Rails for Single Sided Big Tables</p>	For 48" Wide Desk	48"	1"	1"	YBRBTE48	89.
	For 54" Wide Desk	54"	1"	1"	YBRBTE54	90.
	For 60" Wide Desk	60"	1"	1"	YBRBTE60	92.
	For 66" Wide Desk	66"	1"	1"	YBRBTE66	94.
	For 72" Wide Desk	72"	1"	1"	YBRBTE72	96.
	For 78" Wide Desk	78"	1"	1"	YBRBTE78	160.
	For 84" Wide Desk	84"	1"	1"	YBRBTE84	161.
	For 90" Wide Desk	90"	1"	1"	YBRBTE90	163.
	For 96" Wide Desk	96"	1"	1"	YBRBTE96	165.

Ordering Information

- Rails**
 1. Pattern Number
 2. Paint Finish

Order Code

Rails	
<i>Example:</i> YBRBTS57, 118T	
YBR	Rails
BTS	Single Sided Big Table
57	Width
118T	Bright White Paint

Included With

- Starter Rails**
 Spacers
 End Caps
- Extended Rails**
 Spacers
 Flat Brackets

Options

- Rails**

Return and Bridge Rails

Planning Guidelines and Specification

Return rails support a top planned as a return perpendicular to another desk top. Return rail kits also support returns off of a big table with 18", 24", 27", 30" or 36"D tops. For returns connected to 18" or 24" deep big tables, specify return rails 3" wider than the return top. For returns off of 27" deep big tables, specify return rails 6" wider than the return top. For returns off of 30" or 36" deep big tables, specify return rails 9" wider than the return top.

Return rails include two rails 4 1/2" wider than a top, return adapters, one pair of end caps and spacers to support the return top where it meets the desk top.

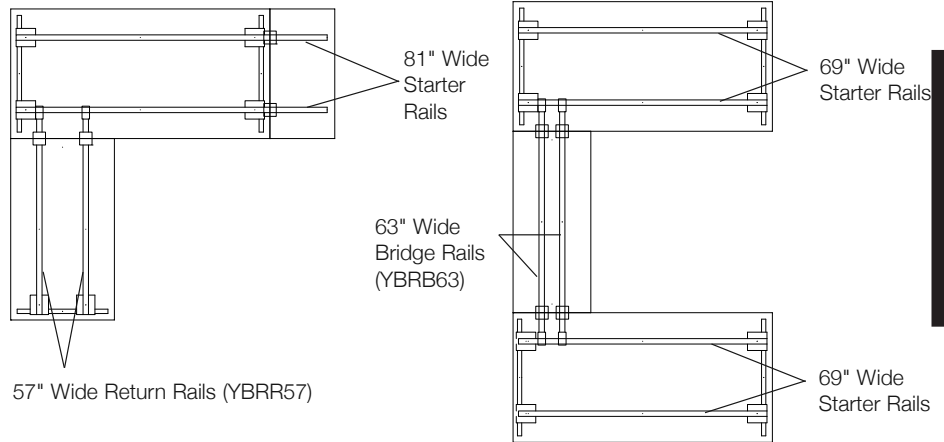
Bridge rails support a desk top planned as a bridge spanning between two desk tops. Bridge rails include two rails 9" wider than a top, two pairs of return adapters and spacers. Bridge rails can also be planned between big tables that have 18" or 24" deep tops. For bridges between big tables 27" deep, specify bridge rails 15" wider than top and for bridges between big tables 30" or 36" deep specify bridge rails 21" wider than top.

Construction

Rails are 1 1/4" square steel tubes. End caps are die cast aluminum. Return adapters are die cast aluminum.

Specification Options

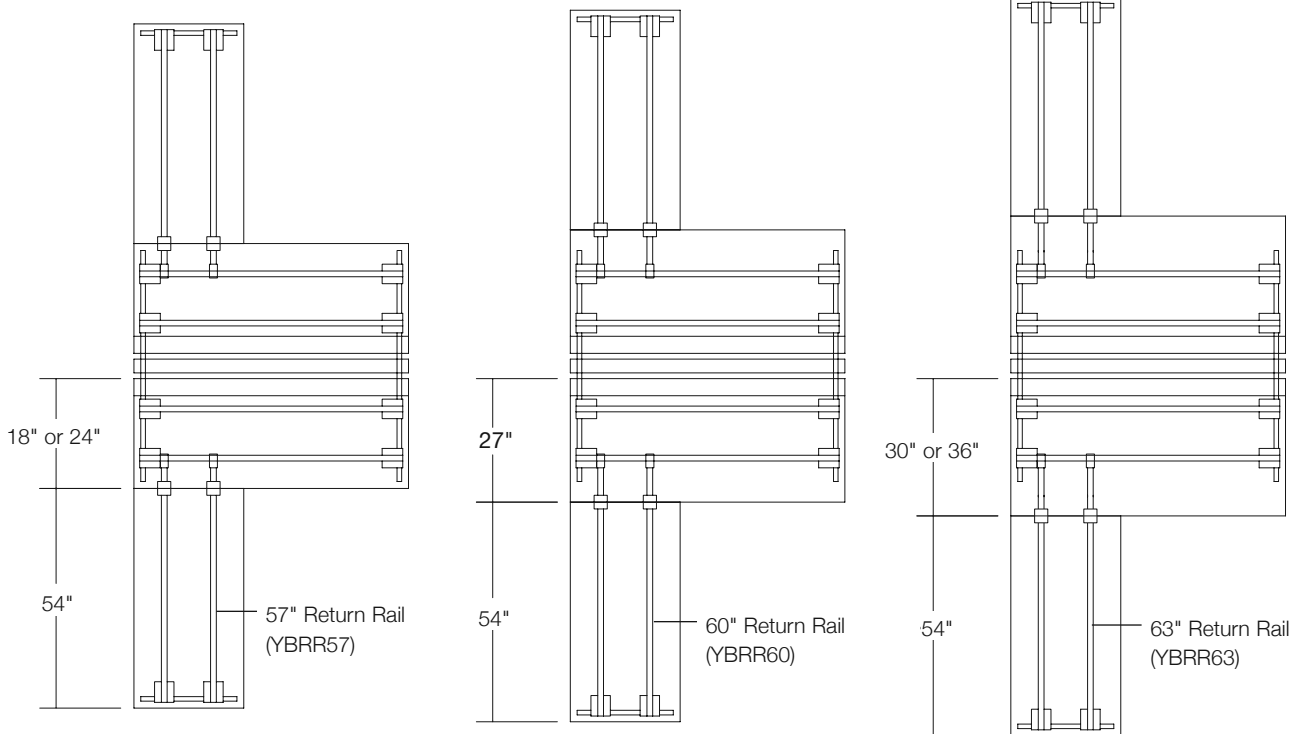
Specify rails and end caps in any Knoll core, Slate Blue or Dark Red paint finish.



72" W, 24"D Desk with Extension Top and 54" Wide Return

72" W, 24"D Desk with 54" Wide Bridge

Desk and Table Support



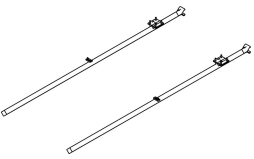
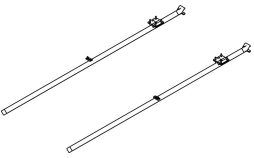
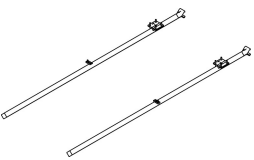
18" or 24" Deep Big Table with 54" Wide Return

27" Deep Big Table with 54" Wide Return

30" or 36" Deep Big Table with 54" Wide Return

Return and Bridge Rails

Rail Pairs For Desks, Tables or Big Tables

description	type	w	d	h	pattern no.	list
 Return Rails for any Depth Desk or 24" Deep Big Tables (pair)	For 30" Wide Return	33"	1"	1"	YBRR33	\$156.
	For 36" Wide Return	39"	1"	1"	YBRR39	178.
	For 42" Wide Return	45"	1"	1"	YBRR45	181.
	For 48" Wide Return	51"	1"	1"	YBRR51	221.
	For 54" Wide Return	57"	1"	1"	YBRR57	226.
	For 60" Wide Return	63"	1"	1"	YBRR63	231.
	For 66" Wide Return	69"	1"	1"	YBRR69	235.
	For 72" Wide Return	75"	1"	1"	YBRR75	239.
	For 78" Wide Return	81"	1"	1"	YBRR81	345.
	For 84" Wide Return	87"	1"	1"	YBRR87	350.
	For 90" Wide Return	93"	1"	1"	YBRR93	353.
 Return Rails for Big Tables 27" Deep (pair)	For 30" Wide Return	36"	1"	1"	YBRR36	158.
	For 36" Wide Return	42"	1"	1"	YBRR42	179.
	For 42" Wide Return	48"	1"	1"	YBRR48	220.
	For 48" Wide Return	54"	1"	1"	YBRR54	223.
	For 54" Wide Return	60"	1"	1"	YBRR60	229.
	For 60" Wide Return	66"	1"	1"	YBRR66	232.
	For 66" Wide Return	72"	1"	1"	YBRR72	237.
	For 72" Wide Return	78"	1"	1"	YBRR78	342.
	For 78" Wide Return	84"	1"	1"	YBRR84	346.
	For 84" Wide Return	90"	1"	1"	YBRR90	352.
 Return Rails for Big Tables 30" Deep (pair)	For 30" Wide Return	39"	1"	1"	YBRR39	178.
	For 36" Wide Return	45"	1"	1"	YBRR45	181.
	For 42" Wide Return	51"	1"	1"	YBRR51	221.
	For 48" Wide Return	57"	1"	1"	YBRR57	226.
	For 54" Wide Return	63"	1"	1"	YBRR63	231.
	For 60" Wide Return	69"	1"	1"	YBRR69	235.
	For 66" Wide Return	75"	1"	1"	YBRR75	239.
	For 72" Wide Return	81"	1"	1"	YBRR81	345.
	For 78" Wide Return	87"	1"	1"	YBRR87	350.
	For 84" Wide Return	93"	1"	1"	YBRR93	353.

Ordering Information

- Rails**
 1. Pattern Number
 2. Paint Finish

Order Code

Return Rails	
<i>Example:</i> YBRR63, 118T	
YBR	Rails
R	Return
63	Width
118T	Bright White Paint

Included With

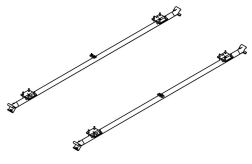
- Return Rails**
 Spacers
 Brackets
 End Caps
 Flat Brackets
- Bridge Rails**
 Brackets
 Spacers
 Flat Brackets

Options

- Rails**

Return and Bridge Rails

Rail Pairs For Desks, Tables or Big Tables

description	type	w	d	h	pattern no.	list
 Bridge Rails (pair)	For 30" Wide Bridge	39"	1"	1"	YBRB39	\$222.
	For 36" Wide Bridge	45"	1"	1"	YBRB45	227.
	For 42" Wide Bridge	51"	1"	1"	YBRB51	268.
	For 48" Wide Bridge	57"	1"	1"	YBRB57	271.
	For 54" Wide Bridge	63"	1"	1"	YBRB63	275.
	For 60" Wide Bridge	69"	1"	1"	YBRB69	280.
	For 66" Wide Bridge	75"	1"	1"	YBRB75	283.
	For 72" Wide Bridge	81"	1"	1"	YBRB81	391.
	For 78" Wide Bridge	87"	1"	1"	YBRB87	395.
	For 84" Wide Bridge	93"	1"	1"	YBRB93	397.

Desk and Table Support

Ordering Information	Order Code	Included With	Options
Rails 1. Pattern Number 2. Paint Finish	Return Rails <hr/> <i>Example:</i> YBRR63, 118T <hr/> YBR Rails <hr/> R Return <hr/> 63 Width <hr/> 118T Bright White Paint	Return Rails Spacers Brackets End Caps Flat Brackets Bridge Rails Brackets Spacers Flat Brackets	Rails

Desk Connectors

Planning Guidelines and Specifications

Desk Connector Kits

Desks or big tables with extension tops or extension cabinets require longer rails and additional connector kits to secure and align the extensions with the adjacent tops. Above desk or big table extension cabinet bottoms and below desk or big table extension cabinet tops are detailed as visual extensions of the adjacent desk or big table, and are supported in the same way as extension tops.

For an individual desk with 15"W extension top or cabinet, specify starter rails for the next 12" longer desk top. If the leg is positioned at the end of the desk, add connector kit YBCDE.

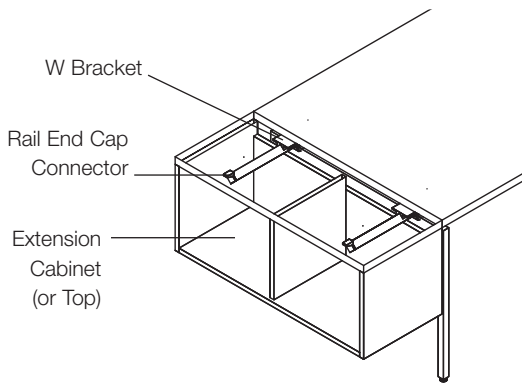
The YBCDE kit includes two W brackets that join the top to the extension over the rails, two rail end caps that connect the ends of the rails to the underside of the extension and two flat brackets that align the front and back of the desktop with the extension.

Alternatively, if the leg is positioned under the extension top or an above desk cabinet specify 12" longer rails and add connector kit YSDXUP. The YSDXUP kit includes only the two W brackets that join the top to the extension over the rails, while the desk leg cradle connects directly to the extension top or cabinet.

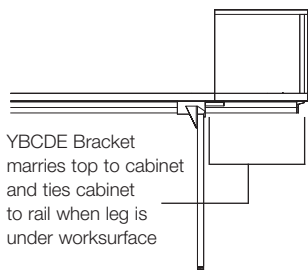
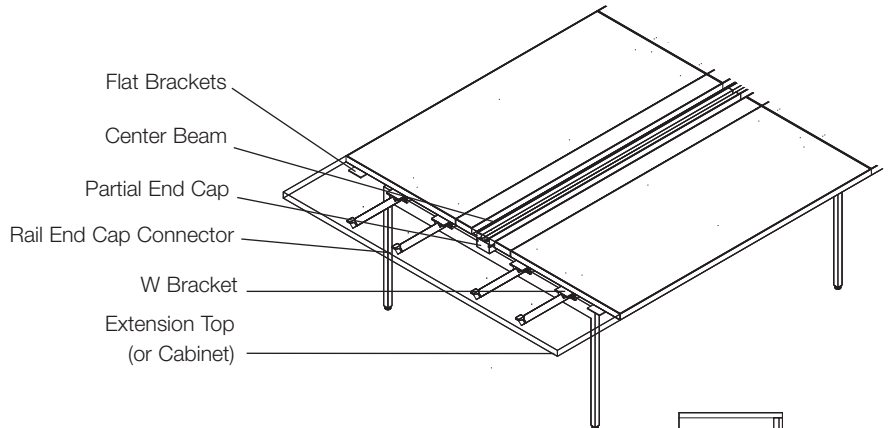
For a big table with 15"W extension top or cabinet, specify starter rails on both sides of the big table for the next 12" longer desk top and add connector kit YBTE. The YBTE kit includes four W brackets that join the top to the extension over the rails, four rail end caps that connect the ends of the rails to the underside of the extension and two flat brackets that align the front edges of the big table tops with the extension.

Big table end legs cannot be positioned under the extension top or an above big table extension cabinet because the leg must support the center beam between the big table tops.

Connector Kit (YBCDE) for Desk Extension Tops or Cabinets

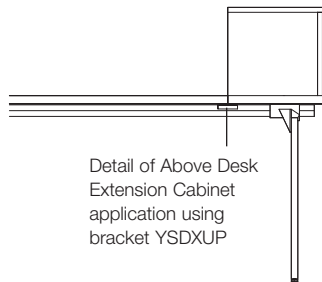


Connector Kit (YBTE) for Big Table Extension Tops or Cabinets



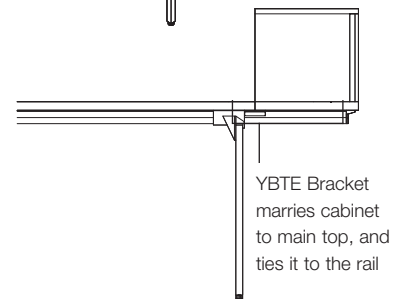
YBCDE Bracket marries top to cabinet and ties cabinet to rail when leg is under worksurface

Above Desk Extension Cabinet Elevation, Leg Under Worksurface



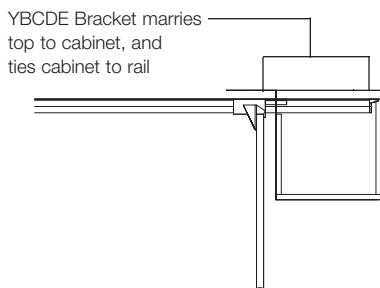
Detail of Above Desk Extension Cabinet application using bracket YSDXUP

Above Desk Extension Cabinet Elevation, Leg Under Cabinet



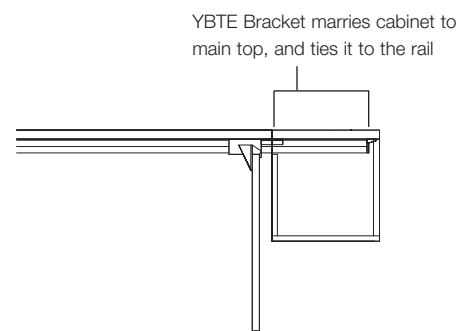
YBTE Bracket marries cabinet to main top, and ties it to the rail

Above Desk Extension Cabinet for Big Table Elevation



YBCDE Bracket marries top to cabinet, and ties cabinet to rail

Below Desk Extension Cabinet Elevation



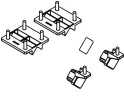
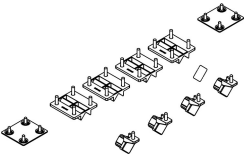
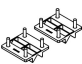
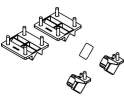
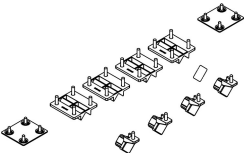
YBTE Bracket marries cabinet to main top, and ties it to the rail

Below Desk Extension Cabinet for Big Table Elevation

*End Leg must stay under the Center Beam and can not be moved out to be placed under the extension top or cabinet

Desk Connectors

Connector Kit for Extension Tops and Cabinets

description	type	pattern no.	list
Connector Kit for Desk Extension Tops 	2 Brackets	YBCDE	\$46.
Connector Kit for Big Table Extension Tops 	4 Brackets	YBTE	104.
Connector Kit for Above Desk Extension Cabinets 	2 Brackets	YSDXUP	29.
Connector Kit for Above or Below Desk Extension Cabinets 	2 Brackets	YBCDE	46.
Connector Kit for Above and Below Big Table Extension Cabinets 	4 Brackets	YBTE	104.

Desk and Table Support

Ordering Information	Order Code	Included With	Options
Desk Connectors 1. Pattern Number 2. Paint Finish	Desk Connectors <i>Example:</i> YBCDE, 118T YBC Connector Kit DE Desk Extension 118T Bright White Paint	Desk Connectors Brackets Hardware	Desk Connectors

Desk Support Adapters

Planning Guidelines and Specifications

Antenna desks can be supported by pedestals, floorstanding wood cabinets, Template storage units and Fence by using desk support adapters. Desk support adapters connect the desk rails to the supporting component.

Pedestal Desk Support

Pedestal support adapter (YBATE25) supports a desk on top of a 25" high pedestal or floorstanding cabinet. Pedestal support adapters mount on the left side of a right-hand position standard width pedestal. Pedestal support adapters mount on the right side of a left-hand position pedestal. Pedestal support adapters also mount on the "inside" edge of a perpendicular 25" high floorstanding wood cabinet.

Double Wide Pedestal Desk Support

For double wide metal pedestals or 25" high floorstanding wood cabinets parallel with a desk or return, specify kit YBAW25, which includes pedestal support adapters, positioning brackets and rail end connectors.

Pedestal Positioning Brackets

Positioning brackets (YSFA) stabilize and maintain position of floorstanding 25" high pedestals under desk or big table rails when the pedestal is not integrated into the desk structure. Positioning brackets enable floorstanding pedestals to mount adjacent to end legs or other floorstanding pedestals that are connected to the desk with YBATE25 brackets. They are also applicable under bridge tops or tops supported by Fence or Template storage. Positioning brackets fasten with

screws into the holes in the top of the pedestal corresponding to desk support rails, or they may be adhered in position under the rails of a big table (adhesive not included in kit).

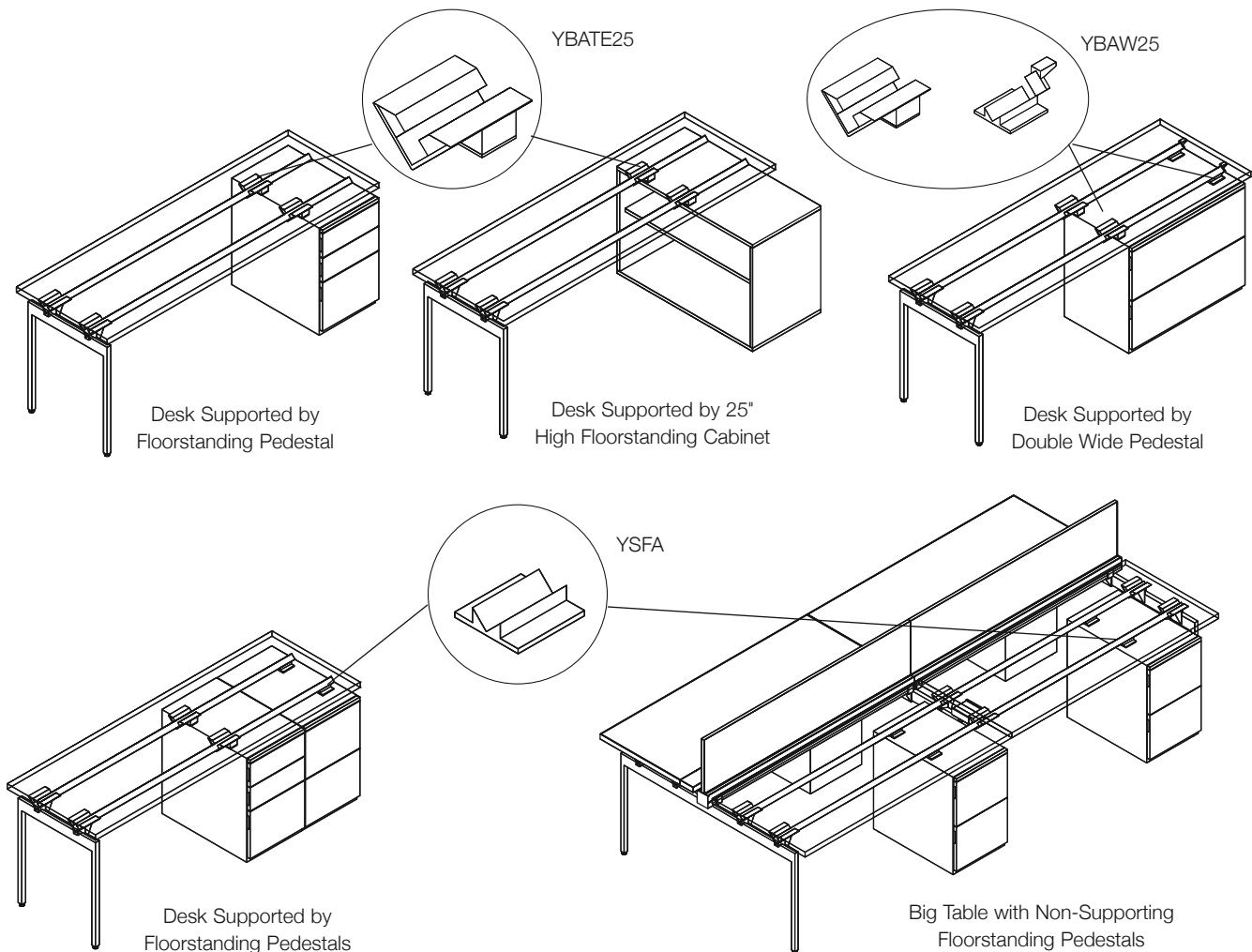
Ballast kits are still recommended for most floorstanding pedestal and double wide pedestal applications, but positioning brackets may make ballast unnecessary for pedestals in multiple-position big tables.

Construction

Desk support adapters consist of painted, die cast aluminum cradles and brackets.

Specification Options

Specify desk support adapters in any Knoll Core paint finish.



Desk Support Adapters

Planning Guidelines and Specifications

Fence Desk Support

Fence desk support adapters are available for both 25" high (YBAFE25) and 28" high (YBAFE28) Fence applications when Antenna tops are mounted perpendicular to the fence wall.

Template Desk Support

Template desk support adapters connect the end of Antenna desk rails to Template tops or worksurface shelves.

When supported by a 22" high Template cabinet or floorstanding wood cabinet, YBATE22 connects the front edge of the top to standard starter rails that are 3" less wide than the top.

When supported by a 25" high Template cabinet or floorstanding wood cabinet, YBATE25 connects the front edge of the top to standard starter rails 3" less wide than the top.

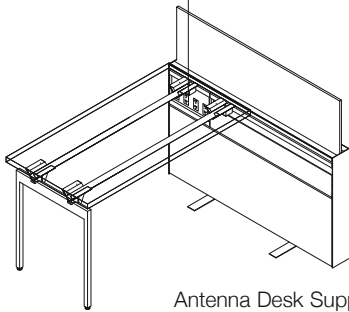
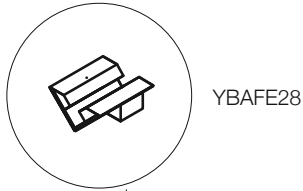
When supported by an adjacent 28" high Template cabinet, floorstanding open wood cabinet or the worksurface shelf of taller Template units, YBATE28 connects the underside of the top or shelf to starter rails 9" longer than the desktop (starter rails for a 12" longer desk).

Construction

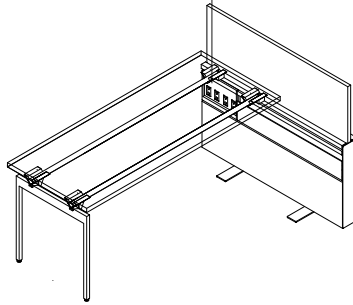
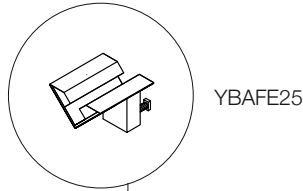
Desk support adapters consist of painted die cast aluminum cradles and brackets.

Specification Options

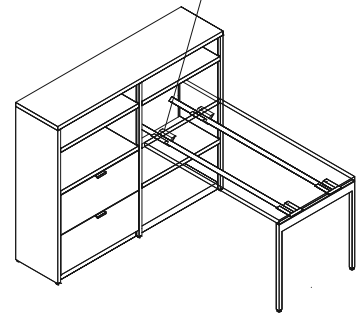
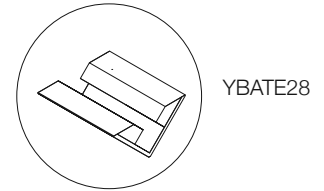
Specify desk support adapters in any Knoll Core paint finish.



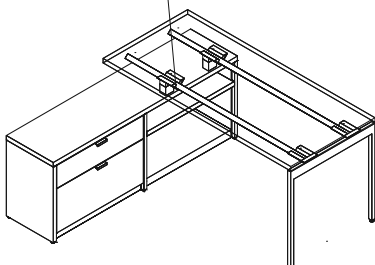
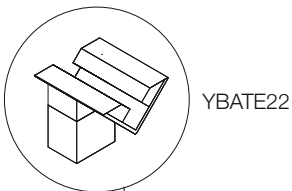
Antenna Desk Supported by 28 1/2" High Fence



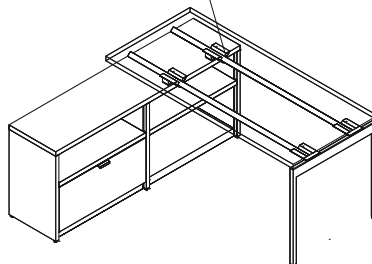
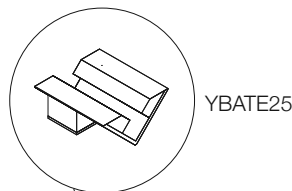
Antenna Desk Supported by 25" High Fence



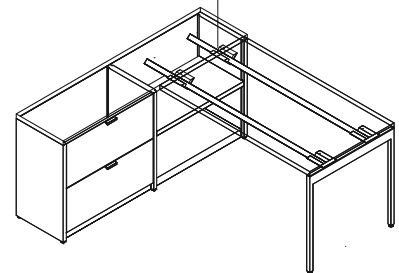
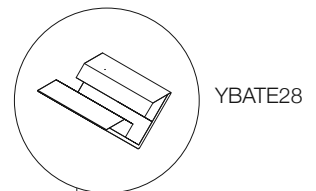
Desk Supported by 28 1/2" High Template Worksurface Shelf



Antenna Desk Supported by a 22" High Template Unit



Antenna Desk Supported by a 25" High Template Unit



Antenna Desk Supported by a 28 1/2" High Template Unit

Desk Support Adapters

Planning Guidelines and Specifications

Template Big Table Support

Template desk support adapters for big table enable 22" or 25" high Template storage cabinets to support the end of a big table in place of an end leg. Template assembly must be at least 48" wide, centered under the end of the big table and equipped with laminate or veneer top. Template desk support adapters are not applicable in the center of a big table to take the place of an intermediate leg. Template/Anchor big table support adaptor work with 24" - 30"D big table tops.

Template desks support adapters for big table and 22" high Template include a steel tube, which matches the top cross member of an end leg, with standard cradles supporting the rails and brackets supporting the center beam. Steel tube is secured to the top of Template storage with steel plates and wood screws.

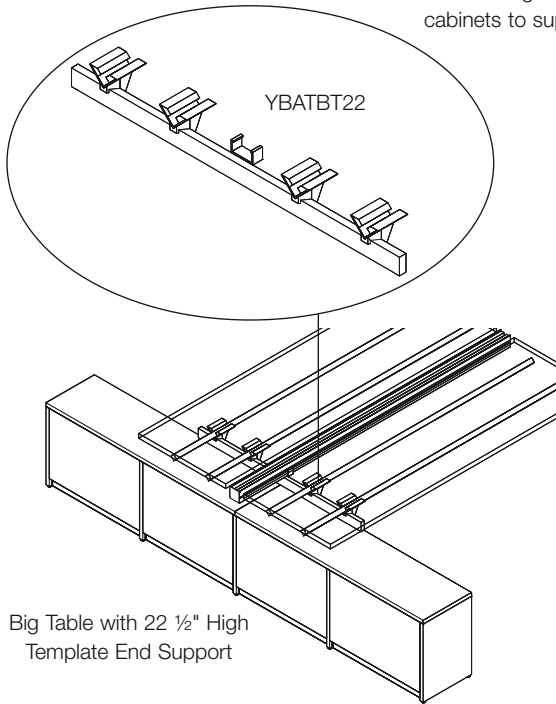
Template desk support adapters for big table and 25" high Template include a cast aluminum bracket on either side of the center beam and standard YBATE25 cradles securing the rails to the Template top. Desk support adapters may also be used with 25" high Antenna floorstanding wood cabinets to support the end of a big table.

Construction

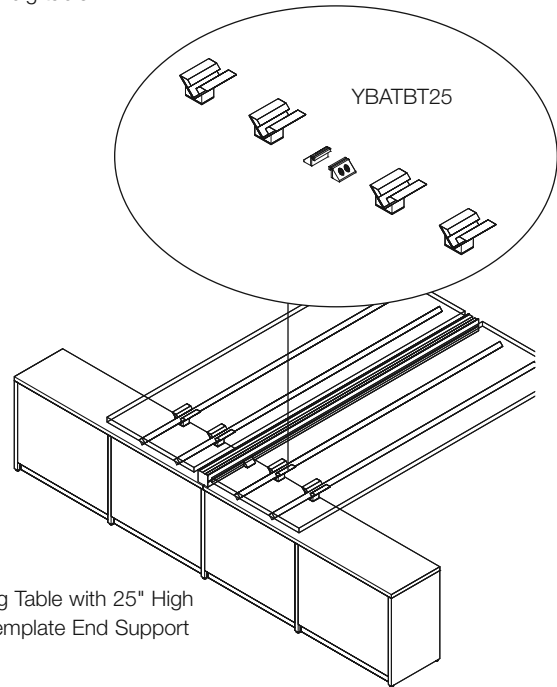
Desk support adapters consist of painted die cast aluminum cradles and brackets and steel cross member.

Specification Options

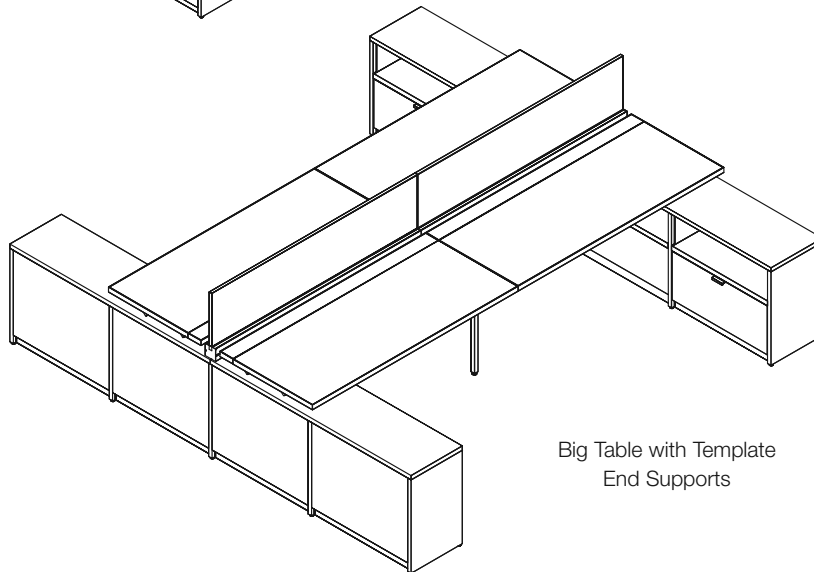
Specify desk support adapters in any Knoll Core paint finish.



Big Table with 22 1/2" High Template End Support



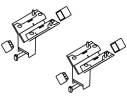
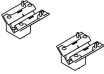

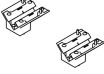
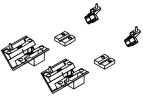
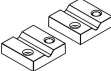
Big Table with 25" High Template End Support



Big Table with Template End Supports

Desk Support Adapters

For Fence, Template, Floorstanding Cabinets and Pedestals

description	type	w	d	h	pattern no.	list
 Fence Desk Support Adapters (pair)	For use with 25" High Fence	4"	3"	1 3/4"	YBAFE25	\$115.
	For use with 28 1/2" High Fence	4"	3"	3"	YBAFE28	115.
<i>(YBAFE25 shown)</i>						
 Template or Antenna Floorstanding Cabinet Desk Support Adapters (pair)	For use with 28 1/2" High Case or Worksurface Shelf	4"	3"	1 3/4"	YBATE28	110.
	For use with 25" High Case	4"	3"	3"	YBATE25	97.
	For use with 22 1/2" High Case (credenza height)	4"	3"	5 1/2"	YBATE22	120.
<i>(YBATE25 shown)</i>						
 Template or Antenna Floorstanding Cabinet Desk Support Adapters for Big Table	For use with 22 1/2" High Case (credenza height)				YBATBT22	574.
	For use with 25" High Case				YBATBT25	222.
<i>(YBATBT25 shown)</i>						
 Pedestal Desk Support Adapters (pair)	For use with Floorstanding 25" High Pedestal	4"	3"	3"	YBATE25	97.
<i>(YBATE25 shown)</i>						
 Double Wide Pedestal Desk Support Adapters (pair)	For use with Double Wide Pedestal	4"	3"	3"	YBAW25	126.
 Pedestal Positioning Brackets	Includes 2 brackets and hardware				YSFA	16.

Desk and Table Support

Ordering Information

Desk Support Adaptors

1. Pattern Number
2. Paint Finish

Order Code

Desk Support Adaptors

Example: **YBAFE25, 118T**

YBA	Adapter
FE	Fence
25	Height
118T	Bright White Paint

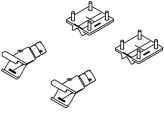
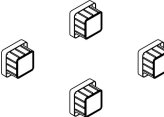
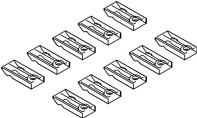

Included With

Desk Support Adaptors
Hardware

Options

Desk Support Adaptors

Connectors, End Caps, Worksurface Spacers and Flat Brackets

description	type	w	d	h	pattern no.	list
 Return or Bridge Rail Connector Kit (pair)	For Return or Bridge Connection	2"	1 1/4"	1 1/4"	YBCRR	\$64.
 Rail End Caps (Set of 4)	For End of Rails	1"	1/2"	1"	YBRE	29.
 Rail to Worksurface Spacers	Package of 10	1 3/4"	1/2"	1/4"	YBCWS	17.
 Flat Brackets Kit (pair)	For use with Adjacent Desks linking End-to-End or Back-to-Back	3"	2 3/4"	1/4"	YBF	13.

Ordering Information	Order Code	Included With	Options
Components for Reconfiguration 1. Pattern Number 2. Paint Finish	Components for Reconfiguration <i>Example:</i> YBCRR, 118T YBC Connector RR Rail to Return Rails 118T Bright White Paint	Components for Reconfiguration Hardware	Components for Reconfiguration

Center Beam for Big Tables

Planning Guidelines and Specifications

Center beam for big table is an extruded aluminum beam shared between facing tops of a dual big table.

Center beam incorporates a continuous channel on the top for friction fit privacy screens or stanchion mounted storage, a channel on each side for cantilever shelves or monitor arms, and a channel on the bottom for suspended power and data components. Center beams are supported by end legs or intermediate legs, which also define a 1 1/4" accessory mount and wire drop space on either side of the beam.

Center beams are available in 6" increments from 36"-96" wide and correspond to big table top widths.

Center beams drilled for T-light cable have a hole drilled 12" from one end to allow the power cable to pass through the beam to the underside of the table.

Center beam top caps fill the top channel slot of a center beam when no screens are planned. When upmounted storage, screens or KnollExtra T-lights are mounted to the center beam, top caps can be trimmed in the field to fit around brackets. A full end cap is used to cover the exposed end of the center beam. A partial end cap is used to cover the lower end of the center beam when an extension top or cabinet is specified at the end of a big table. Center beam top caps and end caps are specified separately.

Dual and single sided big tables with 36" deep tops that are 54" or wider need a mid span support leg to provide center beam support.

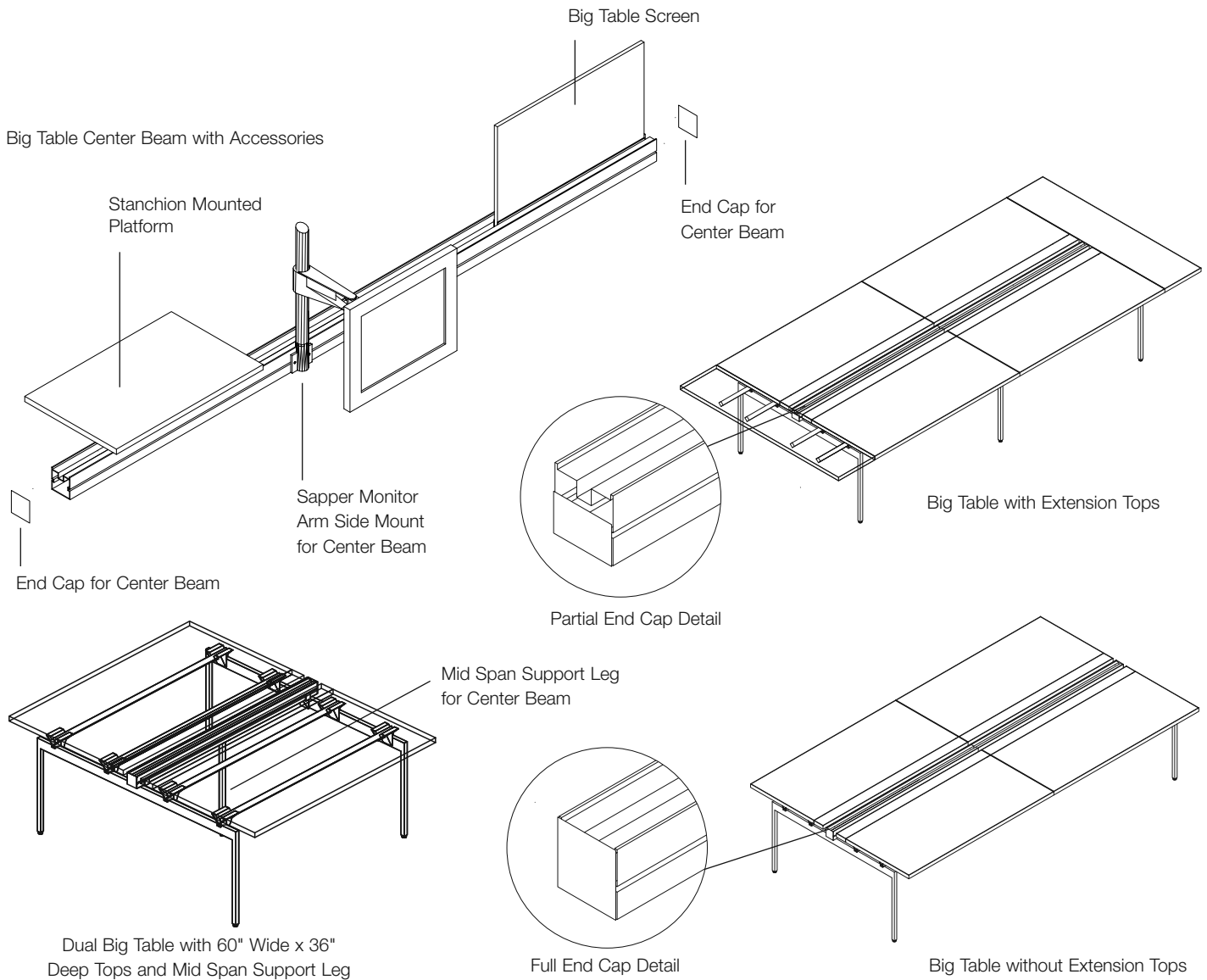
Mounting brackets and stanchions for storage, cantilever shelves and flat screen monitor arms must be specified separately.

Construction

Center beam is an aluminum extrusion 3 1/4" high and 3" deep. Top caps are extruded plastic. End caps are cast aluminum.

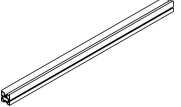
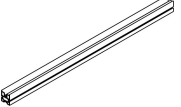
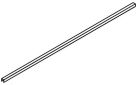
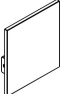
Specifications Options

Center beams, end caps and top covers are available in any Knoll core, Dark Red or Slate Blue paint finish and must be specified separately.



Center Beam for Big Tables

Center Beam, End Caps and Top Caps

description	type	w	d	h	pattern no.	list
Center Beam (no drilling for T-light cable) 	For 36" Wide Big Table Top	36"	3"	3 1/4"	YCB36	\$252.
	For 42" Wide Big Table Top	42"	3"	3 1/4"	YCB42	252.
	For 48" Wide Big Table Top	48"	3"	3 1/4"	YCB48	252.
	For 54" Wide Big Table Top	54"	3"	3 1/4"	YCB54	373.
	For 60" Wide Big Table Top	60"	3"	3 1/4"	YCB60	373.
	For 66" Wide Big Table Top	66"	3"	3 1/4"	YCB66	373.
	For 72" Wide Big Table Top	72"	3"	3 1/4"	YCB72	373.
	For 78" Wide Big Table Top	78"	3"	3 1/4"	YCB78	734.
	For 84" Wide Big Table Top	84"	3"	3 1/4"	YCB84	734.
	For 90" Wide Big Table Top	90"	3"	3 1/4"	YCB90	803.
For 96" Wide Big Table Top	96"	3"	3 1/4"	YCB96	803.	
Center Beam (Drilled for T-light cable) 	For 36" Wide Big Table Top	36"	3"	3 1/4"	YCBT36	283.
	For 42" Wide Big Table Top	42"	3"	3 1/4"	YCBT42	283.
	For 48" Wide Big Table Top	48"	3"	3 1/4"	YCBT48	283.
	For 54" Wide Big Table Top	54"	3"	3 1/4"	YCBT54	404.
	For 60" Wide Big Table Top	60"	3"	3 1/4"	YCBT60	404.
	For 66" Wide Big Table Top	66"	3"	3 1/4"	YCBT66	404.
	For 72" Wide Big Table Top	72"	3"	3 1/4"	YCBT72	404.
	For 78" Wide Big Table Top	78"	3"	3 1/4"	YCBT78	765.
	For 84" Wide Big Table Top	84"	3"	3 1/4"	YCBT84	765.
	For 90" Wide Big Table Top	90"	3"	3 1/4"	YCBT90	833.
For 96" Wide Big Table Top	96"	3"	3 1/4"	YCBT96	833.	
Center Beam Top Caps 	For 48" Wide Center Beam	48"	3"	3 1/4"	YCBCC48	51.
	For 54" Wide Center Beam	54"	3"	3 1/4"	YCBCC54	58.
	For 60" Wide Center Beam	60"	3"	3 1/4"	YCBCC60	64.
	For 66" Wide Center Beam	66"	3"	3 1/4"	YCBCC66	69.
	For 72" Wide Center Beam	72"	3"	3 1/4"	YCBCC72	74.
	For 78" Wide Center Beam	78"	3"	3 1/4"	YCBCC78	81.
Center Beam End Caps (Full Height Shown) 	Full Height	3"	3/8"	3 1/4"	YCBE	13.
	Partial Height For Use With Extension Top or Cabinets	3"	3/8"	2"	YCBPE	13.

Ordering Information	Order Code	Included With	Options
Center Beam 1. Pattern Number 2. Paint Finish	Center Beam <i>Example: YCB60, 118T</i> YCB Center Beam	Center Beam	Center Beam
End Caps 1. Pattern Number 2. Paint Finish	60 Width 118T Bright White Paint End Caps		
Center Beam Top Caps 1. Pattern Number 2. Paint Finish	<i>Example: YCBPE, 118T</i> YCB Center Beam PE Partial End 118T Bright White Paint		

Sapper Monitor Arm for Antenna Center beam

Planning Guidelines and Specifications

Sapper Monitor Arm Side and Center Mount for Antenna Center Beam

Sapper arm mounts for Antenna enable masts from the Sapper Monitor Arm Collection to mount on the side or top of the Antenna Big Table center beam. These mounts can convert Sapper masts from other mounting applications, such as two-piece desk clamps, for use at the center of the big table.

Antenna Workspaces was designed to provide a "wire drop" in most desk and big table applications, in which Sapper Monitor Arms can be mounted. For desk-based planning or

big tables without hinged tops, Sapper Monitor Arm masts can be attached to the back or end of a top with the standard two-piece clamp base. For hinged tops in Big Table applications, however, masts must be mounted on the center beam, and can be ordered as a complete kit in the KnollExtra Sapper Monitor Arm Collection with those mounting options.

The center beam side mount supports a mast on the side edge of the center beam, enabling independent positioning of one or more monitors and room for a center screen behind and a hinged access door or standard wire drop in front.

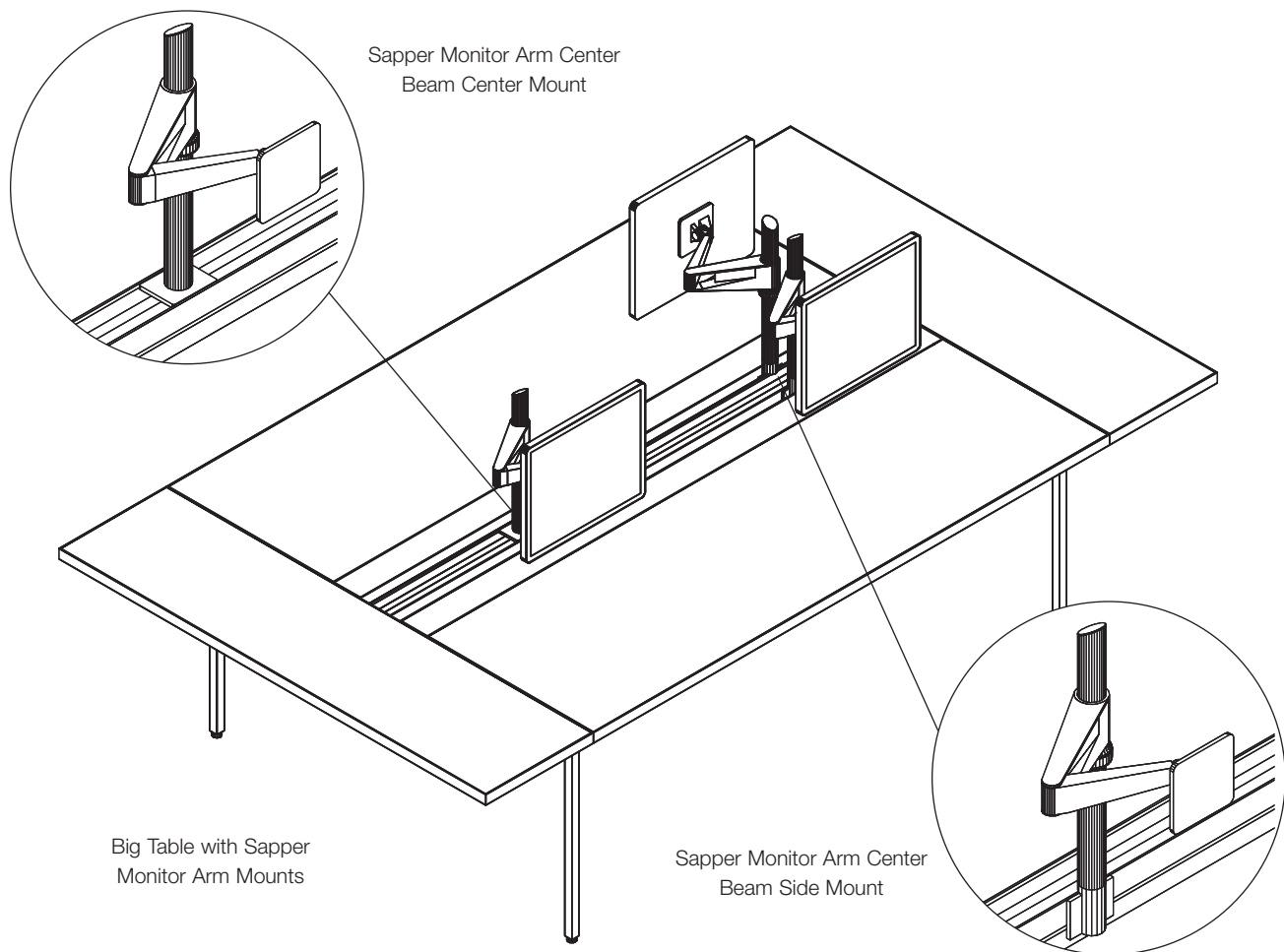
The center beam center mount supports a mast in the center top channel of the center beam, enabling shared use of the mast for monitor arms on both sides of the center beam. Center mount bracket occupies 4" of center beam in which screens or stanchions cannot be installed

Construction

The Sapper mounts are cast aluminum and extruded aluminum. The Sapper center beam center mount is a painted steel plate.

Specification Options

The Sapper mounts are available in any Knoll core paint finish, Dark Red or Slate Blue.



Keyboard Tray Mounting Kit

The keyboard tray mounting kit enables any KnollExtra keyboard support with sliding track to attach to the underside of an Antenna Workspaces desk, table or big table. The mounting kit suspends the sliding track from the desktop to directly below the rails, with full keyboard adjustability and retractability.

Keyboard tray must be specified with a sliding track that is less than the depth of the top and anything below the top, such as a power harness or cable basket. For example under a 24" deep desk with a power harness the

track should be no deeper than 18", and the keyboard may be restricted in where it can rotate when retracted. Under a 30" deep big table top with centered power, the track should be no deeper than 26" to clear access to power and cable baskets. Under a table/desk without cable trays or power any keyboard support with track less deep than the top should fit.

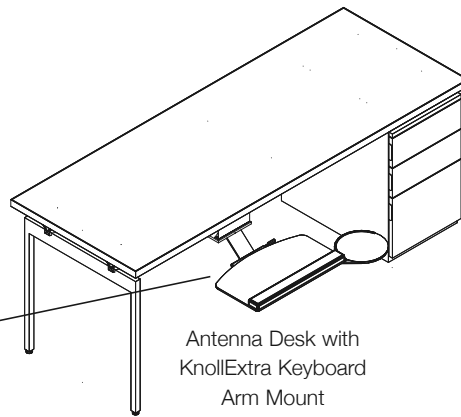
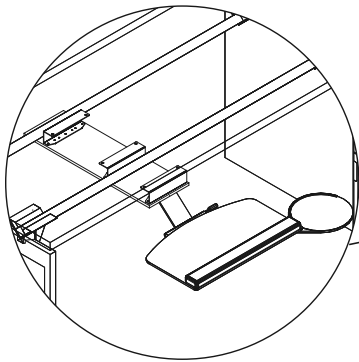
The keyboard tray mounting kit includes three black steel brackets that attach just below the front edge of the top and between the rails supporting the top.

CPU Mounting Kit

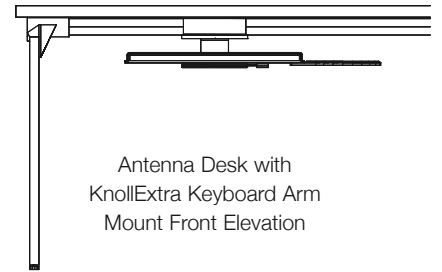
The CPU mounting kit enables most KnollExtra CPU frames to be mounted to the underside of Antenna desks or big tables. The mounting kit includes brackets that suspend the sliding track from the desktop to directly below the rails, enabling full CPU holder rotation and retractability. The mounting kit includes two black steel brackets that attach in front of and between the two steel rails in desk-based or big table planning. Any KnollExtra CPU can be mounted under a top deeper than the mounting track.

Construction

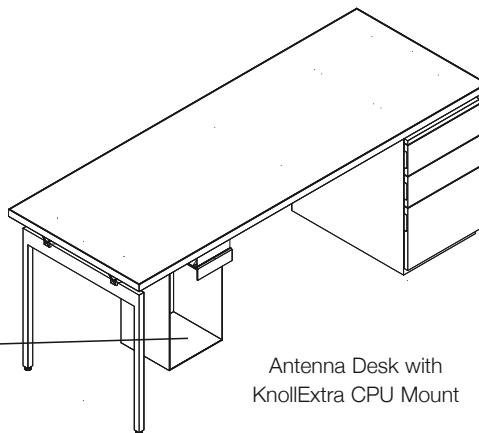
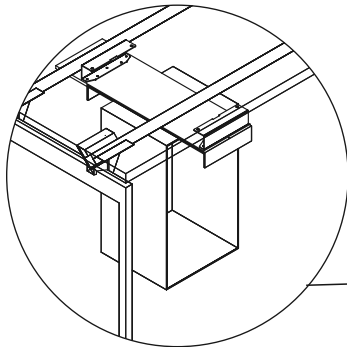
CPU and keyboard support mount kits are formed steel, painted black.



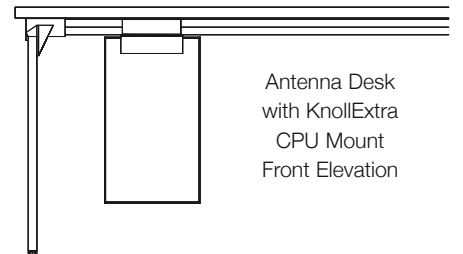
Antenna Desk with
KnollExtra Keyboard
Arm Mount



Antenna Desk with
KnollExtra Keyboard Arm
Mount Front Elevation



Antenna Desk with
KnollExtra CPU Mount

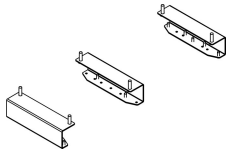


Antenna Desk
with KnollExtra
CPU Mount
Front Elevation

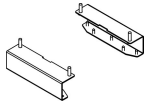
Keyboard Tray and CPU Holder Mounts

For Desk and Big Tables

description	type	w	d	h	pattern no.	list
KnollExtra Keyboard Tray Mount Kit	For attachment to underside of top	6"	1 1/4"	1 7/8"	YAK	\$104.

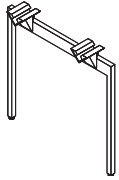


KnollExtra CPU Holder Mount Kit	For attachment to underside of top	6"	1 1/4"	1 7/8"	YACPU	69.
---------------------------------	------------------------------------	----	--------	--------	--------------	-----

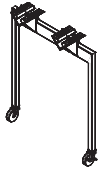


Ordering Information	Order Code	Included With	Options
Keyboard Tray/CPU Holder Mount Kit	Keyboard Tray Mount Kit	Keyboard Tray Mount Kit	
1. Pattern Number	<i>Example:</i> YAK YAK Keyboard Tray Mount	Attachment Hardware CPU Holder Mount Kit Attachment Hardware	

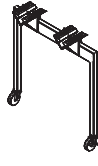
Desk End Legs



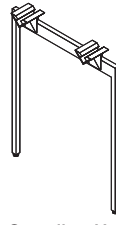
Desk Height End Leg
Leg with Top: 28-1/2" High
Leg: 27" High



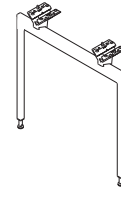
Desk Height End Leg with Casters
Leg with Top: 28-1/2" High
Leg: 27" High



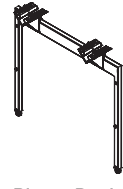
Low Height End Leg with Casters
Leg with Top: 25" High
Leg: 23-1/2" High



Standing Height End Leg
Leg with Top: 36-1/2" High
Leg: 35" High

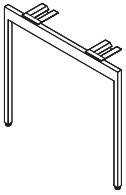


Adjustable Height End Leg
Leg with Top: 27" - 30" High
Leg: 25-1/2" - 28-1/2" High

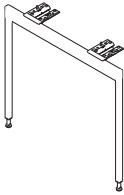


Pinset Desk End Leg
Leg with Top: 27-1/2" - 36-1/2" High
Leg: 26" - 35" High

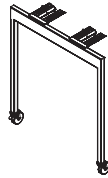
Table Desk End Legs



Desk Height Table Desk End Leg
Leg with Top: 28-1/2" High
Leg: 27" High

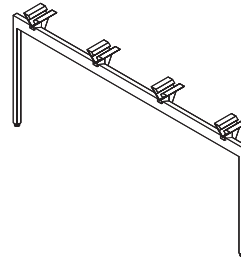


Adjustable Height Table Desk End Leg
Leg with Top: 27" - 30" High
Leg: 25-1/2" - 28-1/2" High

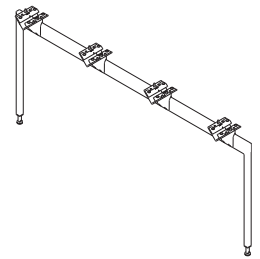


Desk Height Table Desk End Leg with Casters
Leg with Top: 28-1/2" High
Leg: 27" High

Back to Back End Legs

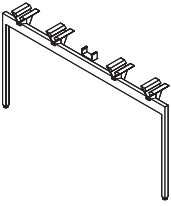


Desk Height Back to Back Desk End Leg
Leg with Top: 28-1/2" High
Leg: 27" High

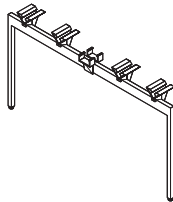


Adjustable Height Back to Back Desk End Leg
Leg with Top: 27" - 30" High
Leg: 25-1/2" - 28-1/2" High

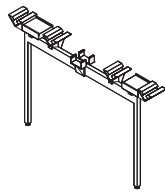
Dual Big Table Legs



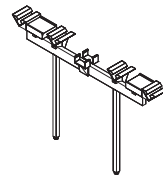
Desk Height End Leg
Leg with Top: 28-1/2" High
Leg: 27" High



Desk Height Intermediate Leg
Leg with Top: 28-1/2" High
Leg: 27" High



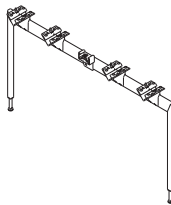
Desk Height Inset Intermediate Leg
Leg with Top: 28-1/2" High
Leg: 27" High



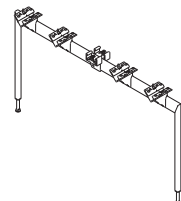
Desk Height 120 Degree Intermediate Leg
Leg with Top: 28-1/2" High
Leg: 27" High



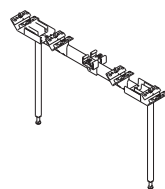
Desk Height Mid Span Support Leg
Leg with Top: 28-1/2" High
Leg: 27" High



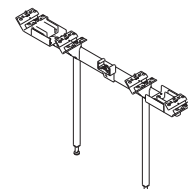
Adjustable Height End Leg
Leg with Top: 27" - 30" High
Leg: 25-1/2" - 28-1/2" High



Adjustable Height Intermediate Leg
Leg with Top: 27" - 30" High
Leg: 25-1/2" - 28-1/2" High



Adjustable Height Inset Intermediate Leg
Leg with Top: 27" - 30" High
Leg: 25-1/2" - 28-1/2" High

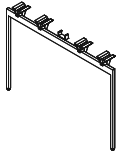


Adjustable Height 120 Degree Intermediate Leg
Leg with Top: 27" - 30" High
Leg: 25-1/2" - 28-1/2" High

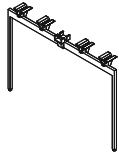


Adjustable Height Mid Span Support Leg
Leg with Top: 27" - 30" High
Leg: 25-1/2" - 28-1/2" High

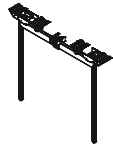
36" Standing Height Dual Big Table Legs



36" Standing Height End Leg
 Leg with Top: 36 1/2"
 Leg with Cradles: 35"
 Leg Weldmount: 33"



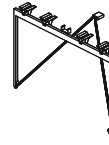
36" Standing Height Intermediate Leg



36" Standing Height Inset Intermediate Leg
 (24"/27"/30" dual only)

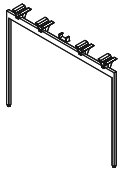


36" Standing Height Intermediate Leg Brace
 (shown with Inset Intermediate Leg)

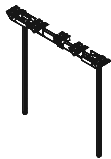


36" Standing Height End Leg Support Brace
 (shown with Two Position End Leg)

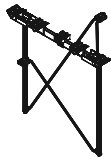
42" Standing Height Dual Big Table Legs



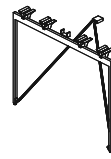
42" Standing Height End Leg
 Leg with Top: 42 1/2"
 Leg with Cradles: 41"
 Leg Weldmount: 39"



42" Standing Height Inset Intermediate Leg
 (24"/27"/30" dual only)

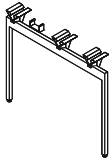


42" Standing Height Inset Intermediate Leg Brace
 (shown with Inset Intermediate Leg)

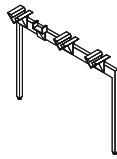


42" Standing Height End Leg Support Brace
 (shown with Two Position End Leg)

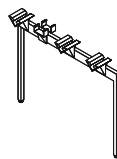
Single Sided Big Table Legs



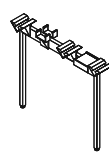
Desk Height Left End Leg
 Leg with Top: 28-1/2" High
 Leg: 27" High



Desk Height Right End Leg
 Leg with Top: 28-1/2" High
 Leg: 27" High



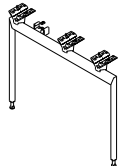
Desk Height Inset Intermediate Leg
 Leg with Top: 28-1/2" High
 Leg: 27" High



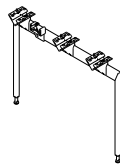
Desk Height Inset Intermediate Leg
 Leg with Top: 28-1/2" High
 Leg: 27" High



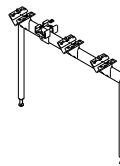
Desk Height Mid Span Support Leg
 Leg with Top: 28-1/2" High
 Leg: 27" High



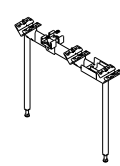
Adjustable Height Left End Leg
 Leg with Top: 27" - 30" High
 Leg: 25-1/2 - 28-1/2" High



Adjustable Height Right End Leg
 Leg with Top: 27" - 30" High
 Leg: 25-1/2 - 28-1/2" High



Adjustable Height Inset Intermediate Leg
 Leg with Top: 27" - 30" High
 Leg: 25-1/2 - 28-1/2" High

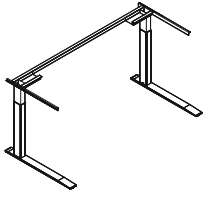


Adjustable Height Inset Intermediate Leg
 Leg with Top: 27" - 30" High
 Leg: 25-1/2 - 28-1/2" High

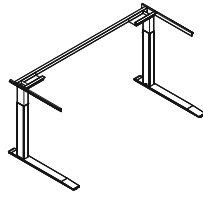


Adjustable Height Mid Span Support Leg
 Leg with Top: 27" - 30" High
 Leg: 25-1/2 - 28-1/2" High

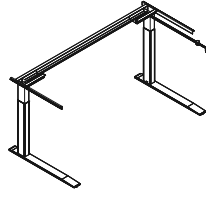
C-Leg Bases



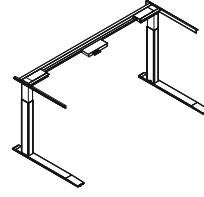
Fixed
Base with Top:
28-1/2" High
Base: 27" High



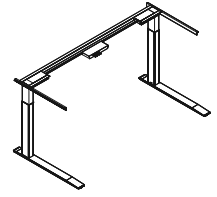
Pin-Set
Base with Top: 23-1/2" -
36-1/2" High
Base: 22" - 35 High



Handcrank
Base with Top: 23-1/2" -
36-1/2" High
Base: 22" - 35 High

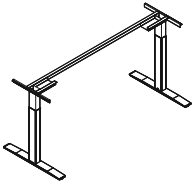


Electric
Base with Top: 28-1/2" -
48" High
Base: 27" - 46-1/2" High

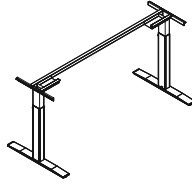


Advanced Electric
Base with Top: 22-1/2" -
49" High
Base: 21" - 47-1/2" High

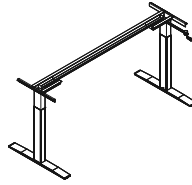
T-Leg Bases



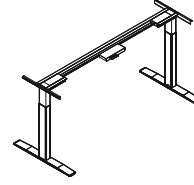
Fixed
Base with Top:
28-1/2" High
Base: 27" High



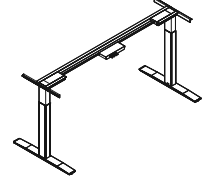
Pin-Set
Base with Top: 23-1/2" -
36-1/2" High
Base: 22" - 35 High



Handcrank
Base with Top: 23-1/2" -
36-1/2" High
Base: 22" - 35 High



Electric
Base with Top: 28-1/2" -
48" High
Base: 27" - 46-1/2" High



Advanced Electric
Base with Top: 22-1/2" -
49" High
Base: 21" - 47-1/2" High

Legs for Desks or Returns

Planning Guidelines and Specifications

Desk height end legs are inverted U-shaped supports. End legs for desks are 3" less than corresponding desk top depth, inset 1 1/2" from front and back desk top edge.

Desk height end legs support a worksurface height of 28 1/2". Adjustable height desk end legs are also available for applications needing more than the 1 1/2" height adjustability provided by desk height end leg levelers. Adjustable height desk end legs support a worksurface height ranging from 27" - 30". Standing height end legs support a 36 1/2" high worksurface. Pinset end legs support a worksurface height ranging from 27-1/2" - 36-1/2".

Desk end legs are also available with casters. Desk height end legs with casters support a worksurface height of 28-1/2". Low desk height end legs with casters support a worksurface height of 24-1/2". When casters are required, the entire leg assembly with casters must be specified.

End legs include two cradles and two levelers. Cradles are V-shaped connectors with clamps that secure the rails at a diagonal over the leg and fasten the legs and rails to the top. Legs for 18" deep tops are for return applications only.

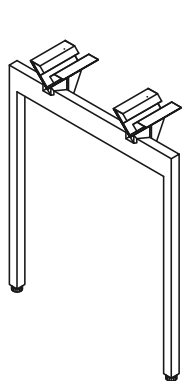
Construction

Desk end legs are 25" high steel weldments with 1" square legs and a 2 1/2" horizontal rail. Desk end legs include 2 1/2" levelers with 3/8" stems and continuous 1 1/2" adjustment range. Weldments for desk end legs with casters are 22" high. Low desk end leg weldments are 19" high. Adjustable desk end leg weldments are 23" high including 5" levelers with 5/8" stems and 3" continuous adjustment range. Standing height desk end leg weldments are 33" high including levelers with 1 1/2" height range. Pinset end leg weldments are 23" - 31" high including pinset adjustment of 9".

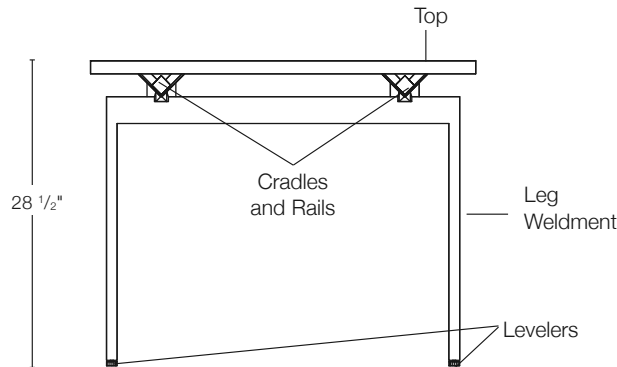
Cradles and clamps are cast aluminum with countersunk fasteners into legs, mating parts and top.

Specification Options

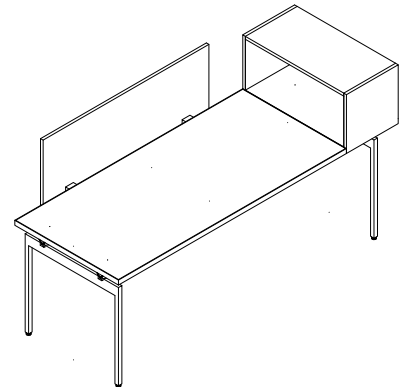
End legs are available in any Knoll core, Dark Red or Slate Blue paint finish. Specify cradle finish separately in any Knoll core, Dark Red or Slate Blue paint finish.



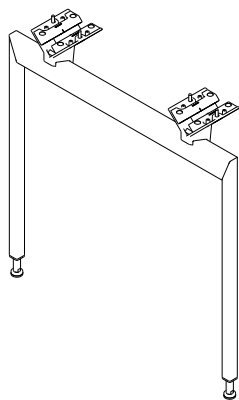
Desk Height End Leg



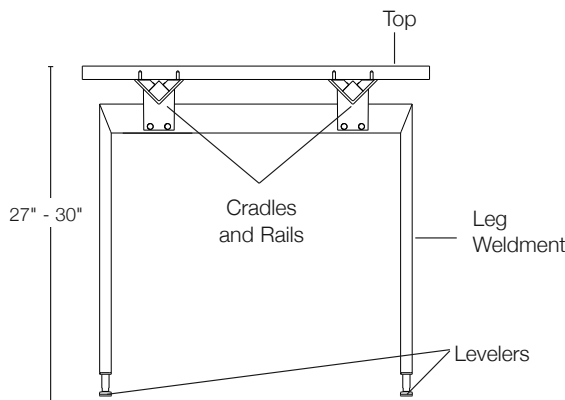
Desk Height End Leg End Elevation



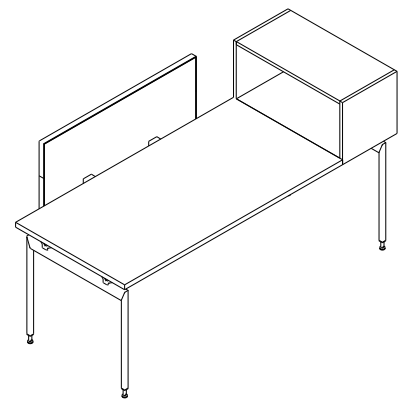
Desk with Desk Height End Legs, Above Desk Extension Cabinet and Screen



Adjustable Height End Leg



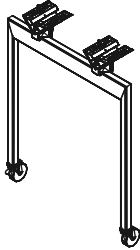
Adjustable Height End Leg End Elevation



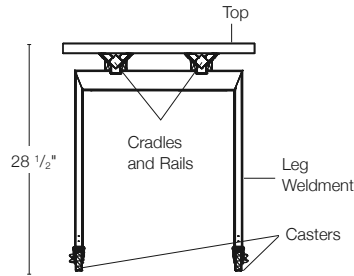
Desk with Adjustable Height End Legs and Suspended File

Legs for Desks or Returns

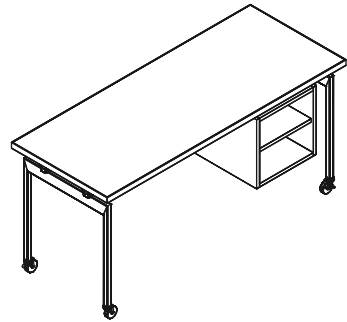
Planning Guidelines and Specifications



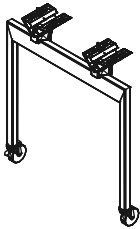
Desk Height End Leg with Casters



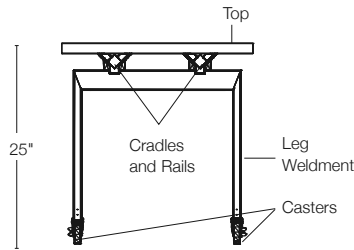
Desk Height End Leg with Casters End Elevation



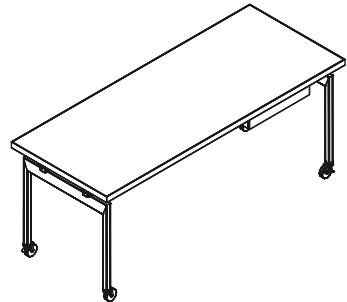
Desk with Desk Height End Legs with Casters and Suspended Open Cabinet



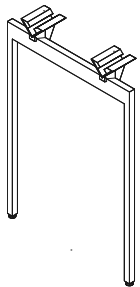
Low Desk Height End Leg with Casters



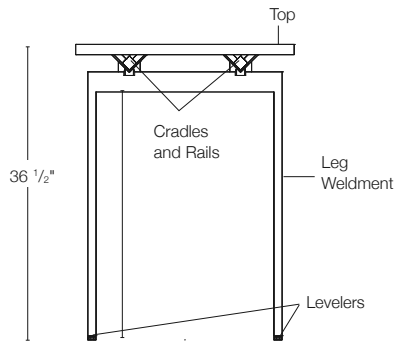
Low Desk Height End Leg with Casters End Elevation



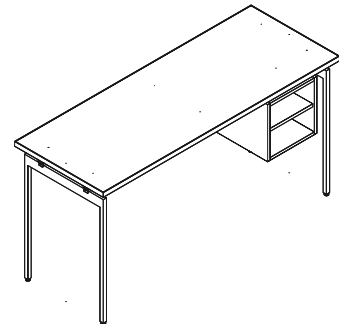
Desk with Low Desk Height End Legs with Casters and Suspended Open Cabinet



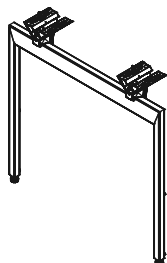
Standing Height End Leg



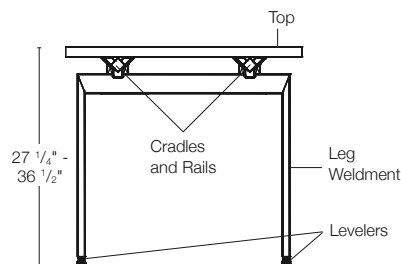
Standing Height End Leg End Elevation



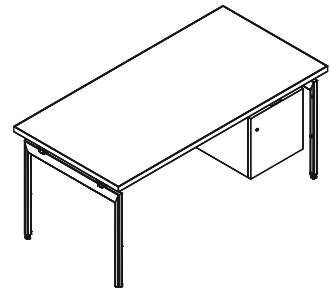
Desk with Standing Height End Legs and Suspended Open Cabinet



Pinset Desk End Leg



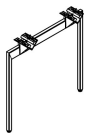
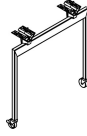
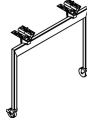
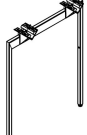
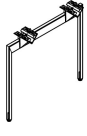
Pinset Desk End Leg End Elevation



Desk with Pinset Desk End Legs and Suspended File

Legs for Desks or Returns

Desk, Low Desk, Standing, Adjustable Height and Pinset


description	type	d	w	h	pattern no.	list
 Desk Height End Legs for Desks or Returns	For 18" Deep Top	15"	1"	27"	YELD18	\$298.
	For 24" Deep Top	21"	1"	27"	YELD24	310.
	For 27" Deep Top	24"	1"	27"	YELD27	315.
	For 30" Deep Top	27"	1"	27"	YELD30	321.
	For 36" Deep Top	33"	1"	27"	YELD36	333.
	For 42" or 48" Deep Top	39"	1"	27"	YELD42	356.
 Desk Height End Legs with Casters for Desks or Returns	For 18" Deep Top	15"	1"	27"	YELCD18	340.
	For 24" Deep Top	21"	1"	27"	YELCD24	353.
	For 27" Deep Top	24"	1"	27"	YELCD27	358.
	For 30" Deep Top	27"	1"	27"	YELCD30	363.
	For 36" Deep Top	33"	1"	27"	YELCD36	375.
 Low Desk Height End Legs with Casters for Desks or Returns	For 18" Deep Top	15"	1"	23 1/2"	YELCM18	340.
	For 24" Deep Top	21"	1"	23 1/2"	YELCM24	353.
	For 27" Deep Top	24"	1"	23 1/2"	YELCM27	358.
	For 30" Deep Top	27"	1"	23 1/2"	YELCM30	363.
	For 36" Deep Top	33"	1"	23 1/2"	YELCM36	375.
 Standing Height End Legs for Desks or Returns	For 24" Deep Top	21"	1"	35"	YELH24	513.
	For 27" Deep Top	24"	1"	35"	YELH27	524.
	For 30" Deep Top	27"	1"	35"	YELH30	535.
	For 36" Deep Top	33"	1"	35"	YELH36	546.
	For 42" or 48" Deep Top	39"	1"	35"	YELH42	557.
 Adjustable Height End Legs for Desks or Returns	For 18" Deep Top	15"	1"	25 1/2" - 28 1/2"	YELA18	333.
	For 24" Deep Top	21"	1"	25 1/2" - 28 1/2"	YELA24	343.
	For 27" Deep Top	24"	1"	25 1/2" - 28 1/2"	YELA27	351.
	For 30" Deep Top	27"	1"	25 1/2" - 28 1/2"	YELA30	356.
	For 36" Deep Top	33"	1"	25 1/2" - 28 1/2"	YELA36	368.
	For 42" or 48" Deep Top	39"	1"	25 1/2" - 28 1/2"	YELA42	391.

Desk and Table Support

Ordering Information	Order Code	Included With	Options
End Legs for Desks/Returns 1. Pattern Number 2. Leg Paint Finish 3. Cradle Paint Finish	End Legs for Desks/Returns <i>Example:</i> YELD30, 118T, 118T YEL End Leg D Desk Height 30 Depth 118T Bright White Paint 118T Bright White Paint	End Legs for Desks/Returns (2) Glides or Casters (2) Cradles Attachment Hardware	End Legs for Desks/Returns

Legs for Desks or Returns

Desk, Low Desk, Standing, Adjustable Height and Pinset

description	type	d	w	h	pattern no.	list
 Pinset Desk End Legs for Desks or Returns	For 24" Deep Top	21"	1"	26"-35"	YELP24	\$522.
	For 27" Deep Top	24"	1"	26"-35"	YELP27	527.
	For 30" Deep Top	27"	1"	26"-35"	YELP30	533.
	For 36" Deep Top	33"	1"	26"-35"	YELP36	545.

Ordering Information

End Legs for Desks/Returns

1. Pattern Number
2. Leg Paint Finish
3. Cradle Paint Finish

Order Code

End Legs for Desks/Returns

Example: **YELD30, 118T, 118T**

YEL	End Leg
D	Desk Height
30	Depth
118T	Bright White Paint
118T	Bright White Paint

Included With

End Legs for Desks/Returns

- (2) Glides or Casters
- (2) Cradles
- Attachment Hardware

Options

End Legs for Desks/Returns

Table desk end legs are 27" high inverted U-shape supports. Unlike desk end legs that attach to the underside of rails, table desk end legs capture the ends of the rails. End legs for tables can only be installed at the end of a desk top and are taller than standard end legs, so knees can fit under the end of the table. End legs for tables are the same overall depth as corresponding tops. End legs include two cradles and two levelers. Cradles are V-shaped connectors with clamps that secure the rails at a diagonal over the leg and fasten the legs and rails to the top.

End legs for tables are designed for end support of freestanding tables or returns only. Desk height table desk end legs support a worksurface height of 28 1/2". Adjustable height table desk end legs are also available

for applications needing more than the 1 1/2" height adjustability provided by desk height table desk end leg levelers. Adjustable height table desk end legs support a worksurface height ranging from 27" - 30". Legs for 18" deep tops are for return applications only.

Desk end legs are also available with casters. Desk height end legs with casters support a worksurface height of 28-1 1/2". When casters are required, the entire leg assembly with casters must be specified.

Construction

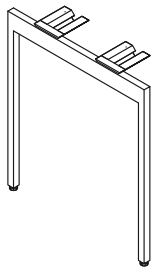
Table desk end legs are steel 27" high weldments with 1" square legs and a 2 1/2" horizontal rail. Legs include 2 1/2" levelers with 3/8" stems and continuous 1 1/2" adjustment range. Weldments for table desk legs with casters are 24" high.

Adjustable table leg weldments are 25 1/2" - 28 1/2" high including 5" levelers with 5/8" stems and 3" continuous adjustment range. Weldments for table desk legs with casters are 24" high.

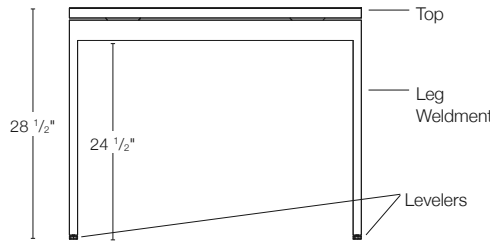
Cradles and clamps are cast aluminum with countersunk fasteners into legs, mating parts and top.

Specification Options

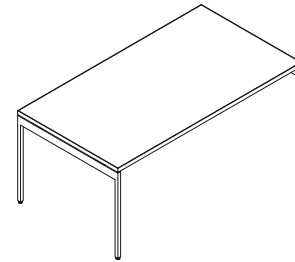
Table desk end legs can be specified in chrome or any Knoll core, Dark Red, or Slate Blue paint finish. Specify cradle finish separately in any Knoll core, Dark Red or Slate Blue paint finish.



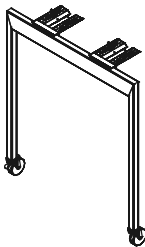
Desk Height Table Desk End Leg



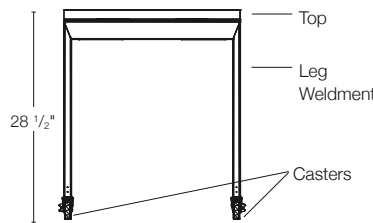
Desk Height Table End Elevation



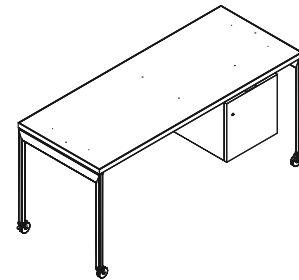
Desk Height Table Desk



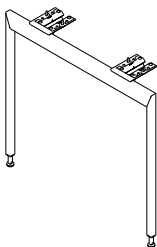
Desk Height Table Desk End Leg with Casters



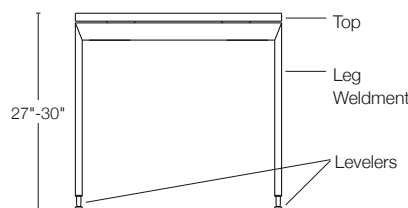
Desk Height Table Desk End Leg with Casters End Elevation



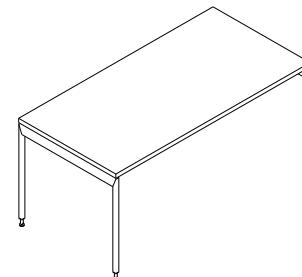
Desk with Desk Height Table Desk End Legs with Casters and Suspended File Cabinet



Adjustable Height Table Desk End Leg



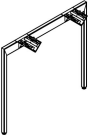
Adjustable Height Table Desk End Leg End Elevation

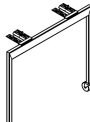



Desk with Adjustable Height Table Desk End Legs with Screen

Legs for Table Desks

Desk and Adjustable Height

description	type	w	d	h	pattern no.	Painted	Chrome
 Desk Height End Legs for Table Desks	For 18" Deep Top	1"	18"	27"	YELSD18	\$321.	\$505.
	For 24" Deep Top	1"	24"	27"	YELSD24	333.	518.
	For 27" Deep Top	1"	27"	27"	YELSD27	338.	573.
	For 30" Deep Top	1"	30"	27"	YELSD30	343.	582.
	For 36" Deep Top	1"	36"	27"	YELSD36	356.	640.
	For 42" Deep Top	1"	42"	27"	YELSD42	373.	684.
	For 48" Deep Top	1"	48"	27"	YELSD48	378.	721.

 Desk Height End Legs with Casters for Table Desks	For 24" Deep Top	1"	24"	27"	YELSCD24	363.	n/a
	For 27" Deep Top	1"	27"	27"	YELSCD27	375.	n/a
	For 30" Deep Top	1"	30"	27"	YELSCD30	381.	n/a
	For 36" Deep Top	1"	36"	27"	YELSCD36	386.	n/a
	For 42" Deep Top	1"	42"	27"	YELSCD42	398.	n/a
	For 48" Deep Top	1"	48"	27"	YELSCD48	416.	n/a

 Adjustable Height End Legs for Table Desks	For 18" Deep Top	1"	18"	25 1/2" - 28 1/2"	YELSA18	356.	n/a
	For 24" Deep Top	1"	24"	25 1/2" - 28 1/2"	YELSA24	368.	n/a
	For 27" Deep Top	1"	27"	25 1/2" - 28 1/2"	YELSA27	373.	n/a
	For 30" Deep Top	1"	30"	25 1/2" - 28 1/2"	YELSA30	378.	n/a
	For 36" Deep Top	1"	36"	25 1/2" - 28 1/2"	YELSA36	391.	n/a
	For 42" Deep Top	1"	42"	25 1/2" - 28 1/2"	YELSA42	407.	n/a
	For 48" Deep Top	1"	48"	25 1/2" - 28 1/2"	YELSA48	414.	n/a

Ordering Information

End Legs for Desks/Returns

1. Pattern Number
2. Leg Paint Finish
3. Cradle Paint Finish

Order Code

End Legs for Table Desks

Example: **YELSD30, 118T, 118T**

YEL	End Leg
S	Table Desk
D	Desk Height
30	Depth
118T	Bright White Paint
118T	Bright White Paint

Included With

End Legs for Table Desks

- (2) Glides or Casters
- (2) Cradles
- Attachment Hardware

Options

End Legs for Table Desks

Finish Options:

Table Desk End Legs are available in Knoll core paints, Dard Red (130) and Slate Blue (131) paint finishes, as well as polished chrome (PD) finish.

Legs for Back to Back Desks

Planning Guidelines and Specifications

End legs for back to back desks are 25" high inverted U-shape supports. A back to back desk end leg supports one end of back to back tops or can be shared between adjacent pairs of back to back tops. End legs include two cradles and two levelers. Cradles are V-shaped connectors with clamps that secure the rails at a diagonal over the leg and fasten the legs and rails to the top. End legs also include two levelers.

End legs are normally positioned 1 1/2" from the end of the tops, but maybe inset for suspended storage.

Designed to create a 3 3/4" space between the back-to-back tops for a desk mounted screen and wire drops on each side, dual end legs are inset 1 1/2" from the front edges of the

tops creating an overall depth 3/4" less than the sum of corresponding back to back top depths. Shared screens can be positioned no closer to the end of the tops than 3".

Desk height back to back desk end legs support a worksurface height of 28 1/2". Adjustable back to back desk end legs are also available for applications needing more than the 1 1/2" height adjustability provided by desk height back to back desk end leg levelers. Adjustable height back to back desk end legs support a worksurface height ranging from 27" - 30". Hinged tops are not compatible with back to back desk legs.

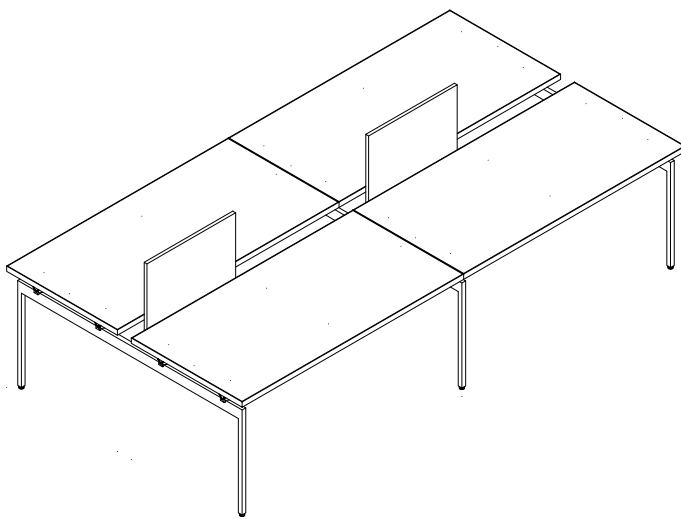
Construction

Back to back desk end legs are 25" high steel weldments with 1" square legs and a 2 1/2" horizontal rail. Legs include 2 1/2" levelers with 3/8" stems and continuous 1 1/2" adjustment range. Adjustable back to back desk leg weldments are 23" high including 5" levelers with 5/8" stems and 3" continuous adjustment range.

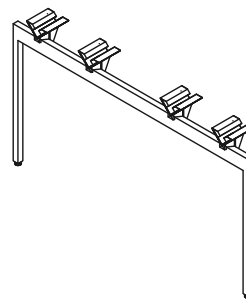
Cradles and clamps are cast aluminum with countersunk fasteners into legs, mating parts and top.

Specification Options

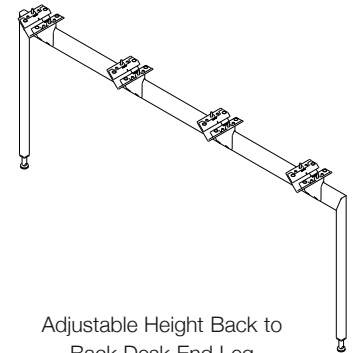
Back to back desk end legs can be specified in any Knoll core, Dark Red, or Slate Blue paint finish. Specify cradle finish separately in any Knoll core, Dark Red or Slate Blue paint finish.



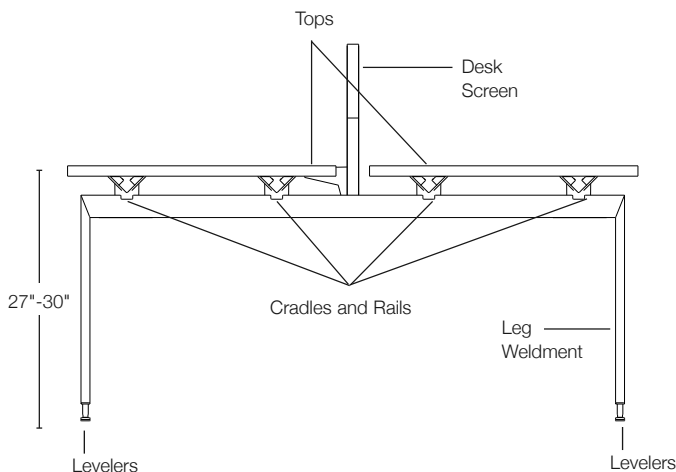
Desk Height Back to Back Desk with Screens



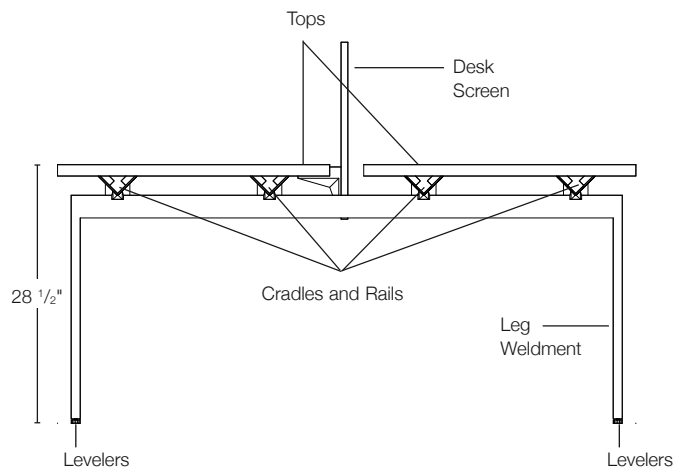
Desk Height Back to Back Desk End Leg



Adjustable Height Back to Back Desk End Leg



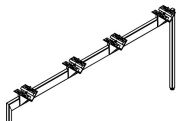
Adjustable Height Back to Back Desk End Leg End Elevation

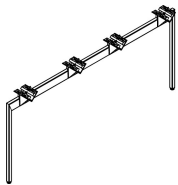


Desk Height Back to Back Desk End Elevation

Legs for Back to Back Desks

Desk Height and Adjustable Height

description	type	w	d	h	pattern no.	list
	For 18" Deep Back to Back Tops	1"	36 ³ / ₄ "	27"	YELDD18	\$459.
	For 24" Deep Back to Back Tops	1"	48 ³ / ₄ "	27"	YELDD24	483.
	For 27" Deep Back to Back Tops	1"	54 ³ / ₄ "	27"	YELDD27	505.
	For 30" Deep Back to Back Tops	1"	60 ³ / ₄ "	27"	YELDD30	517.
	For 36" Deep Back to Back Tops	1"	72 ³ / ₄ "	27"	YELDD36	528.

description	type	w	d	h	pattern no.	list
	For 18" Deep Back to Back Tops	1"	36 ³ / ₄ "	25 ¹ / ₂ " - 28 ¹ / ₂ "	YELDA18	493.
	For 24" Deep Back to Back Tops	1"	48 ³ / ₄ "	25 ¹ / ₂ " - 28 ¹ / ₂ "	YELDA24	517.
	For 27" Deep Back to Back Tops	1"	54 ³ / ₄ "	25 ¹ / ₂ " - 28 ¹ / ₂ "	YELDA27	539.
	For 30" Deep Back to Back Tops	1"	60 ³ / ₄ "	25 ¹ / ₂ " - 28 ¹ / ₂ "	YELDA30	550.
	For 36" Deep Back to Back Tops	1"	72 ³ / ₄ "	25 ¹ / ₂ " - 28 ¹ / ₂ "	YELDA36	563.

Ordering Information

End Legs for Back to Back Desks

1. Pattern Number
2. Leg Paint Finish
3. Cradle Paint Finish

Order Code

End Legs for Back to Back Desks

Example: **YELDD30, 118T, 118T**

YEL	End Leg
D	Back to Back Desk
D	Desk Height
30	Depth
118T	Bright White Paint
118T	Bright White Paint

Included With

End Legs for Back to Back Desks

- (2) Glides
- (4) Cradles
- Attachment Hardware

Options

End Legs for Back to Back Desks

Legs for Dual Sided Big Tables

Planning Guidelines and Specifications

Desk height end legs for dual big tables are 25" high inverted U-shape supports for use at the ends of big table configurations. Big table end legs include four cradles, support for the center beam and two levelers.

Cradles are V-shaped connectors with clamps that secure the rails over the leg and fasten the legs and rails to the top.

Intermediate legs for big tables are 25" high and are shared between adjacent tops. Big table intermediate legs include four cradles, support for the center beam, and two levelers.

Big table end legs and intermediate legs are always 50 1/2" deep, for 24", 27" or 30" top depths. They are inset 1 1/2" from front edge of 24"D tops, 4 1/2" from front edge of 27"D tops

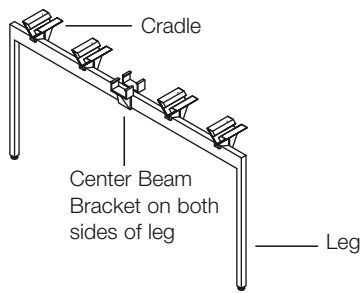
and 7 1/2" from front of 30"D tops. End legs and intermediate legs for 18" deep tops are 38 1/2" deep and inset 1 1/2" from the front edge of the top. End legs and intermediate legs for 36" deep tops are 62 1/2" deep, so they are inset 7 1/2" from front edge of top. End legs can be positioned up to 6" in from the ends of a big table and intermediate legs must be mounted directly under the joint of two tops.

Inset intermediate legs for big tables are 25" high and are shared between adjacent tops. They offer more knee space than standard intermediate legs. Big table inset intermediate legs include four cradles, support for the center beam, and two levelers. Inset intermediate leg overall depth is 35 1/2", for 24", 27" or 30"

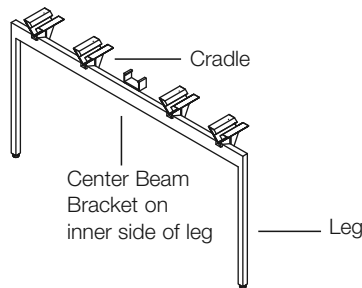
top depths. They are recessed 9" from front edge of 24"D tops, 12" from front edge of 27"D tops, and 15" from front of 30"D tops. Inset intermediate legs for 36" deep tops are 47 1/2" deep, so they are recessed 15" from front edge of top. Inset intermediate legs are not available for 18" deep big tables.

When big tables are specified with 36" deep tops 54" or wider, a mid span support for center beam must be specified.

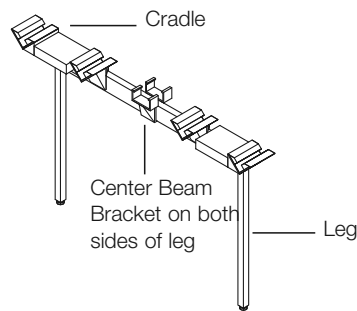
Desk height end legs, intermediate legs and inset intermediate legs 25" high support a worksurface height of 28 1/2". Adjustable height end legs, intermediate legs and inset intermediate legs 23"H support worksurface height from 27" to 30".



Desk Height Big Table Intermediate Leg



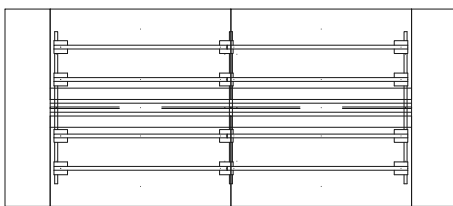
Desk Height Big Table End Leg



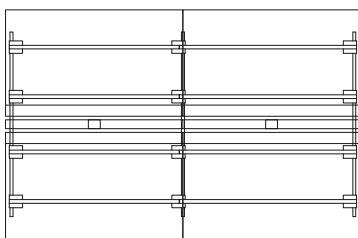
Desk Height Big Table Inset Intermediate Leg



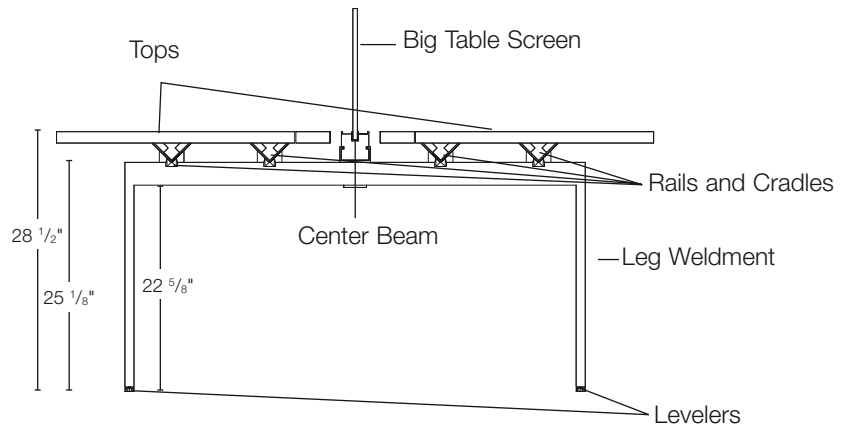
Desk Height Mid Span Support for Center Beam



Plan View of Big Table with Intermediate Leg



Plan View of Big Table with Mid Span Support for Center Beam



Dual Sided Desk Height Big Table End Elevation

Legs for Dual Sided Big Tables

Planning Guidelines and Specifications

Antenna dual big tables can be planned in 120 degree Antenna tops, 120 degree intermediate legs, standard big table end legs, rails, center beams and power components.

When planning with 120 degree tops, an intermediate leg for 120 degree must be specified. The vertical legs are shifted to allow for ample kneespace. The top of the intermediate leg for 120 degree is the same as the big table inset intermediate leg, with two standard cradles for rails, two extended arm cradles and brackets for the center beam between them.

Big table 120 degree planning uses the same components and capabilities as standard straight big table applications: linked modular power components, cable baskets and

wire management, center beam mounted screens, storage and monitor arms. Pedestals must be specified as mobile or freestanding with ballast for 120 degree applications.

Desk height 120 degree intermediate legs 25" high support a worksurface height of 28 1/2". Adjustable height 120 degree intermediate legs 23" H support worksurface height from 27" to 30".

Construction

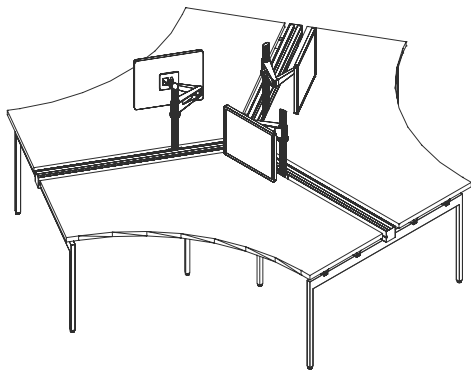
Big table desk height end legs, intermediate legs inset intermediate legs and 120 degree legs are 25" high steel weldments with 1" square legs and a 2 1/2" horizontal rail. Legs include 2 1/2" levelers with 3/8" stems and continuous 1 1/2" adjustment range.

Adjustable dual big table leg weldments are 23" high including 5" levelers with 5/8" stems and 3" continuous adjustment range.

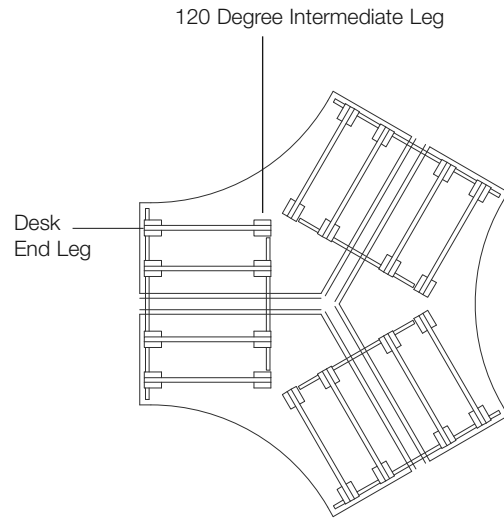
Cradles and clamps are cast aluminum with countersunk fasteners into legs, mating parts and tops.

Specification Options

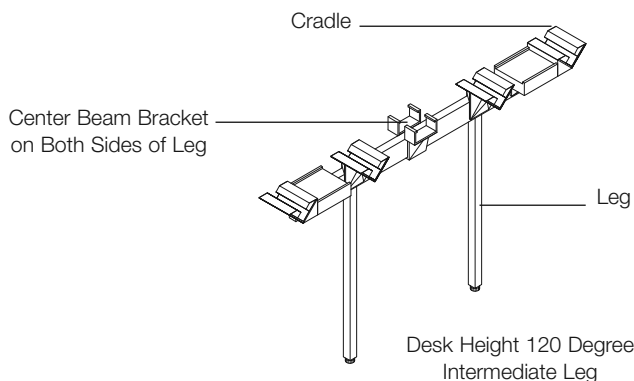
Big table end legs, intermediate legs, inset intermediate legs and 120 degree legs can be specified in any Knoll Core, Dark Red or Slate Blue paint finish. Specify cradle finish separately in any Knoll Core, Dark Red, or Slate Blue paint finish.



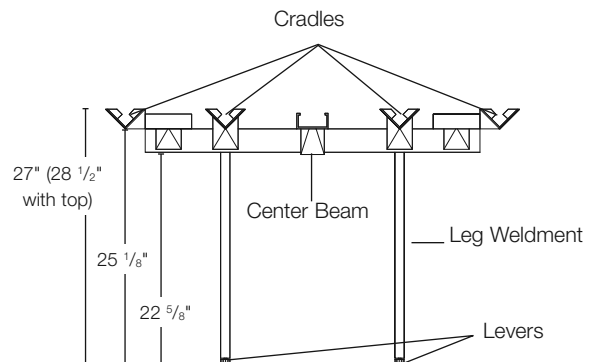
Desk Height 120 Degree Triad



Plan View of 120 Degree Triad



Desk Height 120 Degree Intermediate Leg

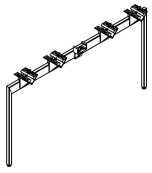


120 Degree Intermediate Leg

Legs for Dual Sided Big Tables

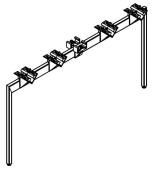
Desk Height

description	type	w	d	h	pattern no.	list
Desk Height End Leg for Dual Big Tables	For 18"D Dual Sided Big Tables	1"	38 1/2"	27"	YELDD38	\$498.
	For 24", 27" or 30"D Dual Sided Big Tables	1"	50 1/2"	27"	YELDD50	544.
	For 36"D Dual Sided Big Table	1"	62 1/2"	27"	YELDD62	557.



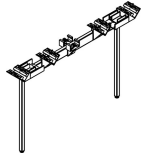
(YELDD50 shown)

Desk Height Intermediate Leg for Dual Big Tables	For 18"D Dual Sided Big Tables	1"	38 1/2"	27"	YILDD38	548.
	For 24", 27" or 30"D Dual Sided Big Tables	1"	50 1/2"	27"	YILDD50	603.
	For 36"D Dual Sided Big Tables	1"	62 1/2"	27"	YILDD62	607.



(YILDD50 shown)

Desk Height Inset Intermediate Leg for Dual Big Tables	For 24", 27" or 30"D Dual Sided Big Tables	1"	35 1/2"	27"	YILDD35	660.
	For 36"D Dual Sided Big Tables	1"	47 1/2"	27"	YILDD48	690.



(YILDD35 shown)

Desk Height 120° Intermediate Leg for Dual Big Tables	For 24" or 27"D Dual Sided Big Tables	1"	20"	27"	YILDDV20	718.
---	---------------------------------------	----	-----	-----	-----------------	------



Ordering Information

Legs for Dual Big Tables

1. Pattern Number
2. Leg Paint Finish
3. Cradle Paint Finish

Order Code

Legs for Dual Big Tables

Example: **YELDD50, 118T, 118T**

YEL	End Leg
D	Dual Big Table
D	Desk Height
50	Depth
118T	Bright White Paint
118T	Bright White Paint

Included With

- Legs for Dual Big Tables**
 (2) Glides
 (4) Cradles
 Center Beam Support Brackets
 Attachment Hardware
- Mid Span Support Leg**
 Attachment Hardware
 Glide

Options

Legs for Dual Big Tables

Legs for Dual Sided Big Tables

Desk Height

description	type	w	d	h	pattern no.	list
Desk Height Mid Span Support Leg for Center Beam	For 36"D Dual and Single Sided Big Tables wider than 54"W	1"	1"	25"	YILDD1	\$94.



Ordering Information

Legs for Dual Big Tables

1. Pattern Number
2. Leg Paint Finish
3. Cradle Paint Finish

Order Code

Legs for Dual Big Tables

Example: **YELDD50, 118T, 118T**

YEL End Leg

D Dual Big Table

D Desk Height

50 Depth

118T Bright White Paint

118T Bright White Paint

Included With

Legs for Dual Big Tables

- (2) Glides
- (4) Cradles
- Center Beam Support Brackets
- Attachment Hardware

Mid Span Support Leg
Attachment Hardware
Glide

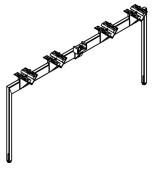
Options

Legs for Dual Big Tables

Legs for Dual Sided Big Tables

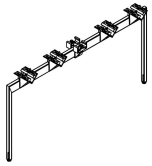
Adjustable Height

description	type	w	d	h	pattern no.	list
Adjustable Height End Leg for Dual Big Tables	For 18"D Dual Sided Big Tables	1"	38 1/2"	25 1/2" - 28 1/2"	YELDA38	\$534.
	For 24", 27" or 30"D Dual Sided Big Tables	1"	50 1/2"	25 1/2" - 28 1/2"	YELDA50	579.
	For 36"D Dual Sided Big Tables	1"	62 1/2"	25 1/2" - 28 1/2"	YELDA62	592.



(YELDA50 shown)

Adjustable Height Intermediate Leg for Dual Big Tables	For 18"D Dual Sided Big Tables	1"	38 1/2"	25 1/2" - 28 1/2"	YILDA38	582.
	For 24", 27" or 30"D Dual Sided Big Tables	1"	50 1/2"	25 1/2" - 28 1/2"	YILDA50	638.
	For 36"D Dual Sided Big Tables	1"	62 1/2"	25 1/2" - 28 1/2"	YILDA62	642.



(YILDA50 shown)

Adjustable Height Inset Intermediate Leg for Dual Big Tables	For 24", 27" or 30"D Dual Sided Big Tables	1"	35 1/2"	25 1/2" - 28 1/2"	YILDA35	694.
	For 36"D Dual Sided Big Table	1"	47 1/2"	25 1/2" - 28 1/2"	YILDA48	725.



(YILDA35 shown)

Adjustable Height 120° Intermediate Leg for Dual Big Tables	For 24" or 27"D Dual Sided Big Table	1"	20"	25 1/2" - 28 1/2"	YILDAV20	752.
---	--------------------------------------	----	-----	-------------------	-----------------	------



Adjustable Height Mid Span Support Leg for Center Beam	For 36"D Dual and Single Sided Big Tables wider than 54"	1"	1"	23 1/2" - 26 1/2"	YILDA1	113.
--	--	----	----	-------------------	---------------	------



Ordering Information	Order Code	Included With	Options
Legs for Dual Big Tables	Legs for Dual Big Tables	Legs for Dual Big Tables	Legs for Dual Big Tables
1. Pattern Number	<i>Example:</i> YELDA50, 118T, 118T	(2) Glides	
2. Leg Paint Finish	YEL End Leg	(4) Cradles	
3. Cradle Paint Finish	D Dual Big Table	Center Beam Support Brackets	
	A Adjustable Height	Attachment Hardware	
	50 Depth	Mid Span Support Leg	
	118T Bright White Paint	Attachment Hardware	
	118T Bright White Paint	Glide	

Legs for Standing Height Dual Sided Big Tables

Planning Guidelines and Specifications

Standing height end legs for 36" high dual big tables are 33" high inverted U-shape supports for use at the ends of big table configurations of four or more positions. Standing height big tables with tops greater than 18" deep must have at least one inset intermediate leg with support brace for stability. Big table end legs include four cradles, support bracket for the center beam and two levelers. Cradles are V-shaped connectors with clamps that secure the rails over the leg and fasten the legs to the tops.

End legs for 18"D standing height big tables are 38 1/2" deep, inset 1 1/2" from front edges of tops. End legs for 24", 27" or 30" deep big tables are always 50 1/2" deep, inset 1 1/2" from front edges of 24" deep tops, 4 1/2" from front edges of 27" deep tops, and 7 1/2" from front edge of 30" deep tops.

Standing height intermediate legs for 36" high big tables are 33" high inverted U-shape supports shared between adjacent tops in

big tables with four or more positions. Big table intermediate legs include four cradles, two support brackets for center beams, and two levelers.

Intermediate legs for 18"D standing height big tables are 38 1/2" deep. Intermediate legs for 24", 27" or 30" deep big tables with tops 48"-54" wide can be same dimension as 50 1/2" deep end legs, or inset intermediate legs 35 1/2" deep. Inset intermediate legs with diagonal braces are required for 24" or deeper big tables with four or more positions of tops greater than 54" wide. Inset intermediate legs are inset 9" from front edges of 24" deep tops, 12" from front edges of 27" deep tops, and 15" from front edge of 30" deep tops. Inset intermediate legs are preconfigured with inserts for diagonal brace connection near each leveler.

Diagonal brace kit, which ensures the stability of standing height tables with tops up to 84" wide, includes a pair of V-shape chrome steel tubes connecting from the

base of each leg to the underside of the center beam. Standing height intermediate leg brace kit must be specified separately.

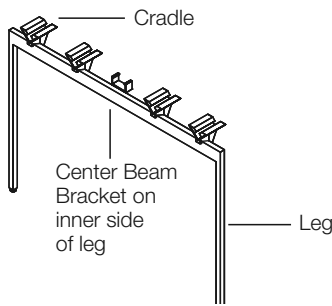
Inset intermediate legs are not available for 18"D big tables, and no standing height legs are available for 36"D tops.

Construction

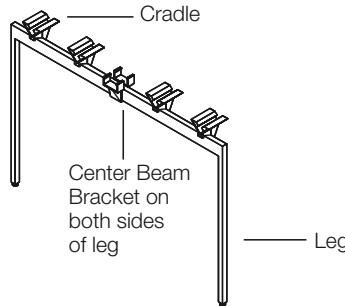
Standing height big table end legs and intermediate legs are steel weldments with 1" square legs and a 1" x 2 1/2" horizontal rail, reinforced internally. Legs include 2 1/2" levelers with 3/8" stems and continuous 1 1/2" adjustment range. Cradles and clamps are cast aluminum with countersunk fasteners into legs, mating parts and tops.

Specification Options

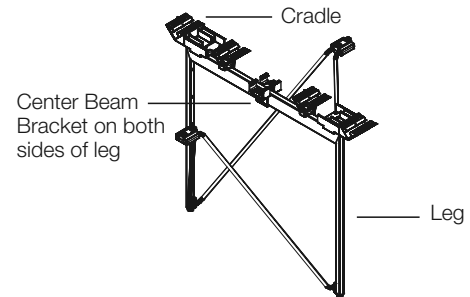
Standing height dual big table end legs, intermediate legs and inset intermediate legs can be specified in any Knoll Core, Dark Red or Slate Blue paint finish. Specify cradle finish separately. Brace kit is available in Knoll Core, Dark Red or Slate Blue paint finish and Chrome.



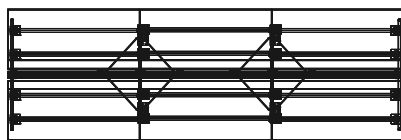
Standing Height Big Table End Leg



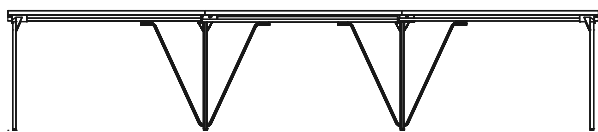
Standing Height Big Table Intermediate Leg



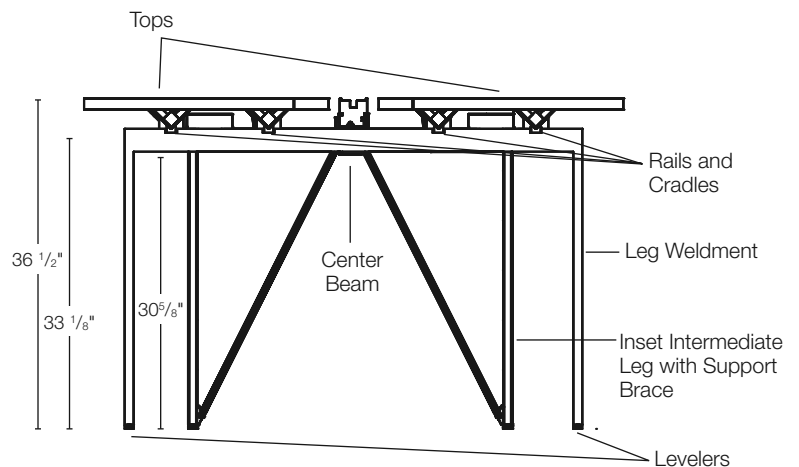
Standing Height Big Table Inset Intermediate Leg with Support Brace



Plan View of Big Table with Inset Intermediate Legs and Support Brace



Elevation View of Straight Big Table with Inset Intermediate Legs and Support Braces



Standing Height Dual Big Table End Elevations

Standing height end legs for big tables of only two positions with tops greater than 18" deep must have the end leg support brace for stability. Big table end legs for two position applications are drilled for the end leg support brace. Big table end legs include four cradles, support bracket for the center beam and two levelers. Cradles are V-shaped connectors with clamps that secure the rails over the leg and fasten the legs to the tops.

End legs drilled for diagonal brace for 24", 27" or 30" deep big tables are always 50 1/2" deep, inset 1 1/2" from front edges of 24" deep tops, 4 1/2" from front edges of 27" deep tops, and 7 1/2" from front edge of 30" deep tops.

Diagonal brace kit, which ensures the stability of standing height tables with tops up to 84" wide, includes a pair of chrome steel tubes connecting from the base of each leg to the underside of the center beam. Standing height end leg brace kit must be specified separately.

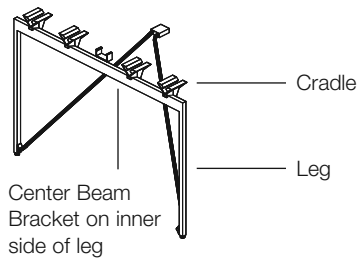
Tops of big tables with end leg support braces must be 54" or wider to accept a power harness.

Construction

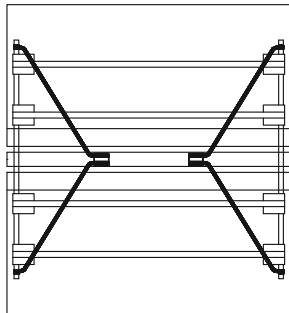
Standing height big table end legs and intermediate legs are steel weldments with 1" square legs and a 1" x 2 1/2" horizontal rail, reinforced internally. Legs include 2 1/2" levelers with 3/8" stems and continuous 1 1/2" adjustment range. Cradles and clamps are cast aluminum with countersunk fasteners into legs, mating parts and tops.

Specification Options

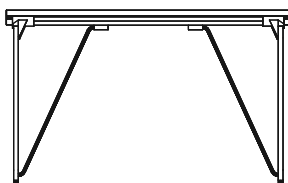
Standing height dual big table end legs, intermediate legs and inset intermediate legs can be specified in any Knoll Core, Dark Red or Slate Blue paint finish. Specify cradle finish separately. Brace kit is available in Knoll Core, Dark Red or Slate Blue paint finish and Chrome.



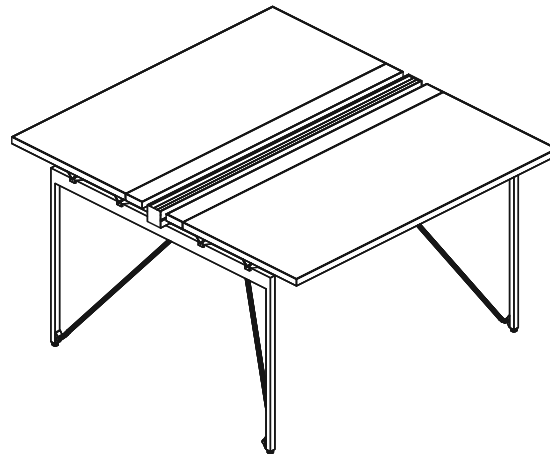
36"H Standing Height Big Table End Leg with Support Braces



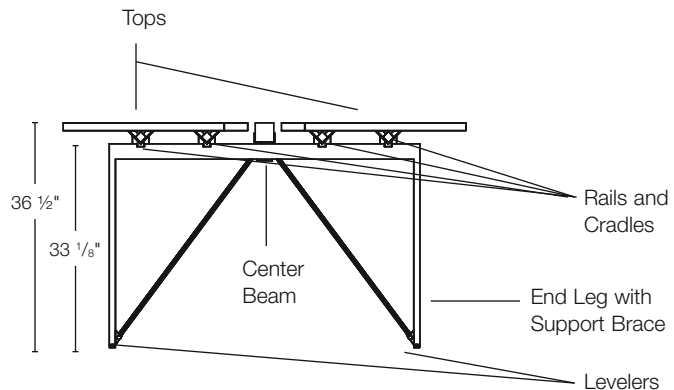
Plan View of Big Table with End Legs and Support Braces



Elevation View of Straight Big Table with End Legs and Support Braces



36"H Standing Height Two Position Dual Big Table with End Legs and Support Braces

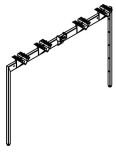


36" Standing Height Dual Big Table End Elevation

Legs for Standing Height Dual Sided Big Tables

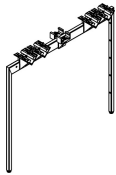
Standing Height 36"

description	type	w	d	h	pattern no.	list
36" Standing Height End Leg for Dual Big Tables	For 18"D Dual Big Tables	1"	38 1/2"	35"	YELDH38	\$794.
	For 24", 27" or 30"D Dual Big Tables	1"	50 1/2"	35"	YELDH50	824.



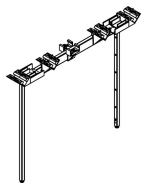
(YELDH50 shown)

36" Standing Height Intermediate Leg for Dual Big Tables	For 18"D Dual Big Tables	1"	38 1/2"	35"	YILDH38	858.
	For 24", 27" or 30"D Dual Big Tables	1"	50 1/2"	35"	YILDH50	888.



(YILDH38 shown)

36" Standing Height Inset Intermediate Leg for Dual Big Tables, Drilled for Diagonal Brace	For 24", 27" or 30"D Dual Big Tables	1"	35 1/2"	35"	YILDH35	1,024.
--	--------------------------------------	----	---------	-----	----------------	--------



(YILDH35 shown)

Support brace kit for standing height inset intermediate leg	For 24", 27" or 30"D Dual Big Tables	1"	20"	35"	YILDHB	374.
--	--------------------------------------	----	-----	-----	---------------	------



Ordering Information

Legs for Dual Big Tables

1. Pattern Number
2. Leg Paint Finish
3. Cradle Paint Finish

Order Code

Legs for Dual Big Tables

Example: **YELDH50, 118T, 118T**

YEL	End Leg
D	Dual Big Table
H	Standing Height
50	Depth
118T	Bright White Paint
118T	Bright White Paint

Included With

Legs for Dual Big Tables

- (2) Glides
- (4) Cradles
- Center Beam Support Brackets
- Attachment Hardware

Mid Span Support Leg

- Attachment Hardware
- Glide

Options

Legs for Dual Big Tables

All core painted finishes

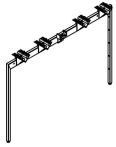
Support Brace

All core painted finishes and Chrome.

Legs for Standing Height Dual Sided Big Tables

Standing Height 36"

description	type	w	d	h	pattern no.	list
36" Standing Height End Leg for Dual Big Tables, Drilled for Diagonal Brace	For 24", 27" or 30"D Dual Big Tables	1"	50 1/2"	35"	YELDH50B	\$877.



(YELDH50 shown)

36" Support brace kit for standing height End Leg	For 24", 27" or 30"D Dual Big Tables	1"	20"	35"	YELDHB	235.
---	--------------------------------------	----	-----	-----	---------------	------



Ordering Information

Legs for Dual Big Tables

1. Pattern Number
2. Leg Paint Finish
3. Cradle Paint Finish

Order Code

Legs for Dual Big Tables

Example: **YELDH50, 118T, 118T**

YEL	End Leg
D	Dual Big Table
H	Standing Height
50	Depth
118T	Bright White Paint
118T	Bright White Paint

Included With

Legs for Dual Big Tables

- (2) Glides
- (4) Cradles
- Center Beam Support Brackets
- Attachment Hardware

Mid Span Support Leg

- Attachment Hardware
- Glide

Options

Legs for Dual Big Tables

All core painted finishes

Support Brace

All core painted finishes and Chrome.

Legs for Standing Height Dual Sided Big Tables

Planning Guidelines and Specifications

Standing height end legs for 42" high dual big tables are 39" high inverted U-shape supports for use at the ends of big table configurations. 42" high standing height big tables must have at least one inset intermediate leg with support brace for stability. Big table end legs include four cradles, support bracket for center beam and two levelers. Cradles are V-shaped connectors with clamps that secure the rails over the leg and fasten the legs to the tops.

End legs for 24", 27" or 30" deep big tables are always 50 1/2" deep, inset 1 1/2" from front edges of 24" deep tops, 4 1/2" from front edges of 27" deep tops, and 7 1/2" from front edge of 30" deep tops.

Standing height inset intermediate legs for 42" high big tables are 39" high inverted U-shape supports shared between adjacent tops.

Big table inset intermediate legs include four cradles, two support brackets for center beams and two levelers.

Inset intermediate legs with diagonal brace are required for all 42" high standing height big tables. Inset intermediate legs are always 35 1/2" deep, inset 9" from front edges of 24" deep tops, 12" from front edge of 27" deep tops, and 15" from front edge of 30" deep tops. Inset intermediate legs are preconfigured with inserts for diagonal brace connection near each leveler.

Diagonal brace kit, which ensures the stability of standing height tables with tops up to 84" wide, includes a pair of V-shape chrome steel tubes connecting from the base of each leg to the underside of the center beam. Standing height intermediate leg brace kit must be specified separately.

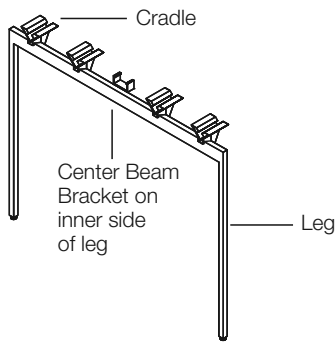
No standing height legs are available for 18" or 36" deep tops.

Construction

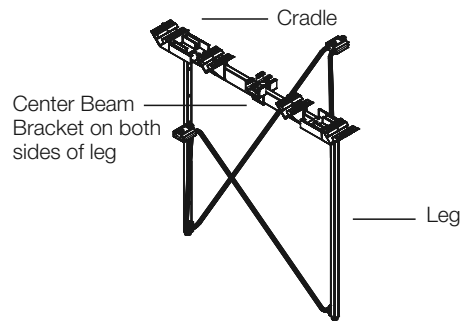
Standing height big table end legs and inset intermediate legs are steel weldments with 1" square legs and a 1" x 2 1/2" horizontal rail, reinforced internally. Legs include 2 1/2" levelers with 3/8" stems and continuous 1 1/2" adjustment range. Cradles and clamps are cast aluminum with countersunk fasteners into legs, mating parts and tops.

Specification Options

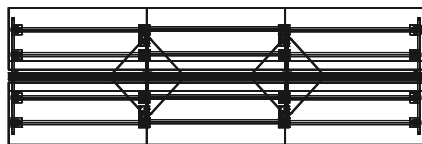
Standing height dual big table end legs and inset intermediate legs can be specified in any Knoll Core, Dark Red or Slate Blue paint finish. Specify cradle finish separately. Brace kit is available in Knoll Core, Dark Red or Slate Blue paint finish and Chrome.



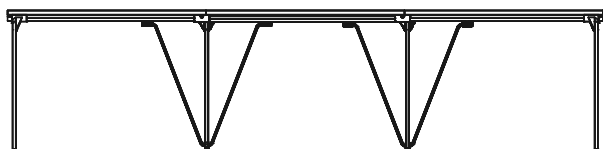
42"H Standing Height Big Table End Leg



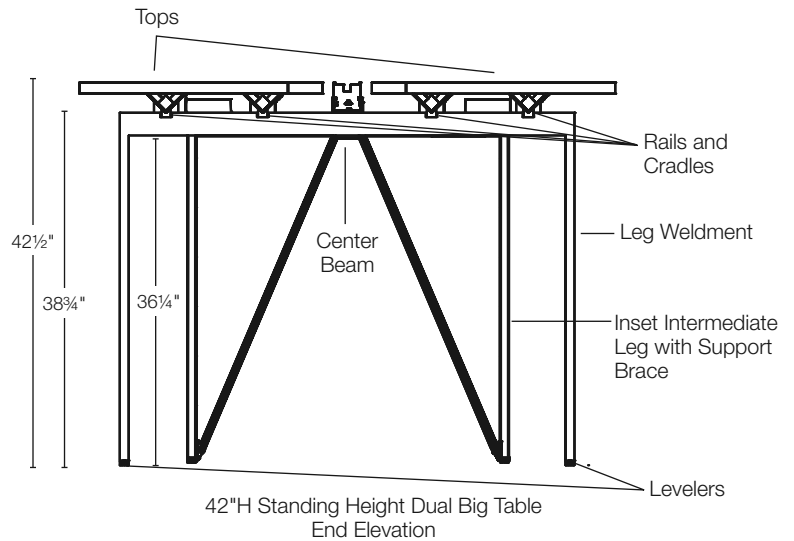
42"H Standing Height Big Table Inset Intermediate Leg with Support Brace



Plan View of Big Table with Inset Intermediate Legs and Support Brace



Elevation View of Straight Big Table with Inset Intermediate Legs and Support Braces



42"H Standing Height Dual Big Table End Elevation

Standing height end legs for big tables of only two positions must have the end leg support brace for stability. Big table end legs for two position applications are drilled for the end leg support brace. Big table end legs include four cradles, support bracket for the center beam and two levelers. Cradles are V-shaped connectors with clamps that secure the rails over the leg and fasten the legs to the tops.

End legs drilled for diagonal brace for 24", 27" or 30" deep big tables are always 50 1/2" deep, inset 1 1/2" from front edges of 24" deep tops, 4 1/2" from front edges of 27" deep tops, and 7 1/2" from front edge of 30" deep tops.

Diagonal brace kit, which ensures the stability of standing height tables with tops up to 84" wide, includes a pair of chrome steel tubes connecting from the base of each leg to the underside of the center beam. Standing height end leg brace kit must be specified separately.

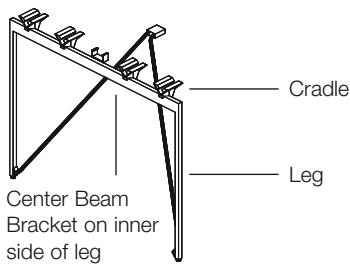
Tops of big tables with end leg support braces must be 54" or wider to accept a power harness.

Construction

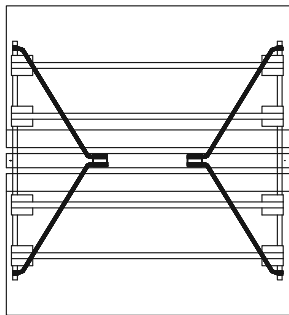
Standing height big table end legs and intermediate legs are steel weldments with 1" square legs and a 1" x 2 1/2" horizontal rail, reinforced internally. Legs include 2 1/2" levelers with 3/8" stems and continuous 1 1/2" adjustment range. Cradles and clamps are cast aluminum with countersunk fasteners into legs, mating parts and tops.

Specification Options

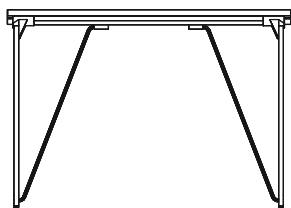
Standing height dual big table end legs, intermediate legs and inset intermediate legs can be specified in any Knoll Core, Dark Red or Slate Blue paint finish. Specify cradle finish separately. Brace kit is available in Knoll Core, Dark Red or Slate Blue paint finish and Chrome.



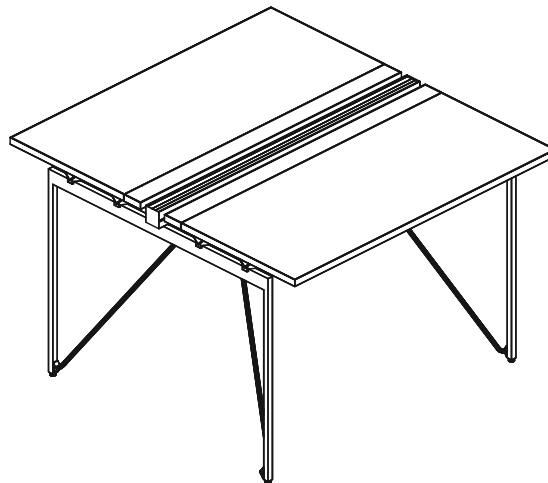
42" Standing Height Big Table End Leg with Support Braces



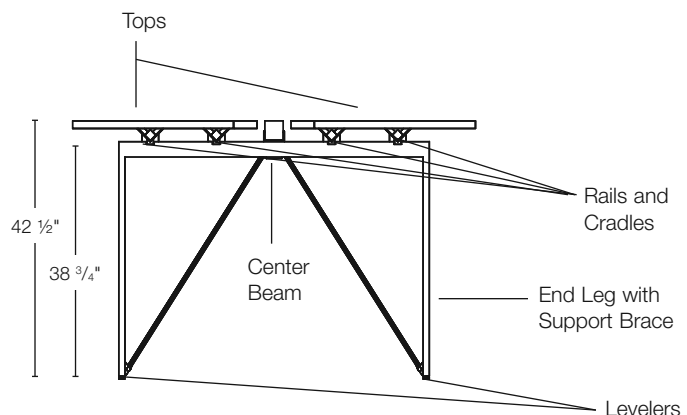
Plan View of Big Table with End Legs and Support Braces



Elevation View of Straight Big Table with End Legs and Support Braces



42" Standing Height Two Position Dual Big Table with End Legs and Support Braces

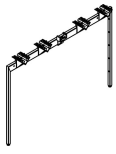


42" Standing Height Dual Big Table End Elevation

Legs for Standing Height Dual Sided Big Tables

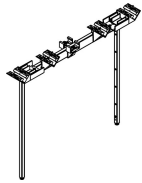
Standing Height 42"

description	type	w	d	h	pattern no.	list
42" Standing Height End Leg for Dual Big Tables	For 24", 27" or 30"D Dual Big Tables	1"	50½"	41"	YELDT50	\$849.



(YELDT50 shown)

42" Standing Height Inset Intermediate Leg for Dual Big Tables, Drilled for Diagonal Brace	For 24", 27" or 30"D Dual Big Tables	1"	35½"	41"	YILDT35	1,051.
--	--------------------------------------	----	------	-----	----------------	--------



(YILDT35 shown)

42" Support brace kit for standing height inset intermediate leg	For 24", 27" or 30"D Dual Big Tables	1"	20"	41"	YILDTB	420.
--	--------------------------------------	----	-----	-----	---------------	------



Ordering Information

Legs for Dual Big Tables

1. Pattern Number
2. Leg Paint Finish
3. Cradle Paint Finish

Order Code

Legs for Dual Big Tables

Example: **YELDT50, 118T, 118T**

YEL	End Leg
D	Dual Big Table
T	Standing Height
50	Depth
118T	Bright White Paint
118T	Bright White Paint

Included With

Legs for Dual Big Tables

- (2) Glides
- (4) Cradles
- Center Beam Support Brackets
- Attachment Hardware

Mid Span Support Leg

- Attachment Hardware
- Glide

Options

Legs for Dual Big Tables

All core painted finishes

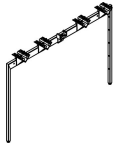
Support Brace

All core painted finishes and Chrome

Legs for Standing Height Dual Sided Big Tables

Standing Height 42"

description	type	w	d	h	pattern no.	list
42" Standing Height End Leg for Dual Big Tables, Drilled for Diagonal Brace	For 24", 27" or 30"D Dual Big Tables	1"	50 1/2"	41"	YELDT50B	\$902.



(YELDT50 shown)

42" Support brace kit for standing height End Leg	For 24", 27" or 30"D Dual Big Tables	1"	20"	41"	YELDTB	243.
---	--------------------------------------	----	-----	-----	---------------	------



Ordering Information

Legs for Dual Big Tables

1. Pattern Number
2. Leg Paint Finish
3. Cradle Paint Finish

Order Code

Legs for Dual Big Tables

Example: **YELDT50, 118T, 118T**

YEL	End Leg
D	Dual Big Table
T	Standing Height
50	Depth
118T	Bright White Paint
118T	Bright White Paint

Included With

Legs for Dual Big Tables

- (2) Glides
- (4) Cradles
- Center Beam Support Brackets
- Attachment Hardware

Mid Span Support Leg

- Attachment Hardware
- Glide

Options

Legs for Dual Big Tables

All core painted finishes

Support Brace

All core painted finishes and Chrome

Legs for Single Sided Big Tables

Planning Guidelines and Specifications

End legs for single sided big tables are 25" high inverted U-shape supports for use at the ends of single sided big table configurations. End legs include cradles, support bracket for the center beam and two levelers. Cradles are V-shape connectors with clamps that secure starter or extended rails to the leg and fasten the legs and rails to the top.

Intermediate legs for single sided big tables are shared between adjacent tops. Single sided intermediate legs include two cradles, two support brackets for center beams and two levelers.

Legs For Basic Single Sided Big Tables

End legs and intermediate legs for basic single sided big tables with 18" deep tops are 22" deep, set back 1 1/2" from the front edge.

End legs and intermediate legs for tables with tops that are 24", 27" or 30" deep are 28" deep, set back 1 1/2" from the front edge of 24" deep tops, 4 1/2" from the front of 27" deep tops, and 7 1/2" from the front of 30" deep tops. End legs and intermediate legs for basic big tables with 36" deep tops are 34" deep, and set back 7 1/2" from the front edge.

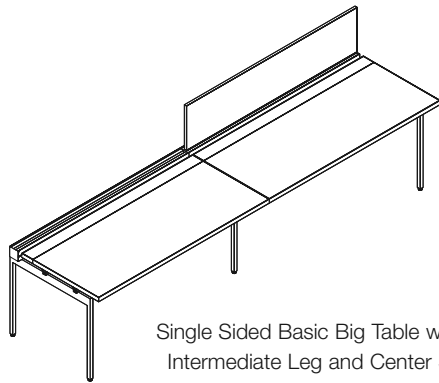
For big tables with tops deeper than 18", inset intermediate legs offer more kneespace than standard intermediate legs: inset intermediate legs 20" deep are recessed 9" from front edge

of 24" deep tops, 12" from front of 27" deep tops and 15" from front of 30" deep tops. Inset intermediate legs 26" deep are recessed 15" from front edge of 36" deep table tops.

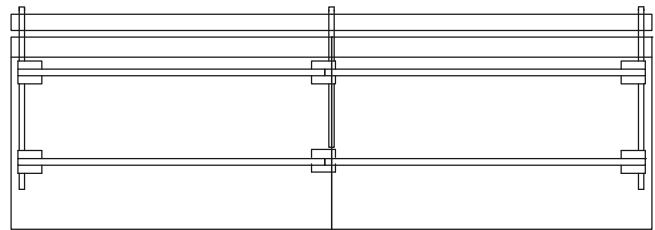
Overall depth of basic single sided big table is about 5 1/2" more than big table tops.

End legs can be positioned from 1 1/2" to 6" in from the end of a big table top. Intermediate legs or inset intermediate legs must be mounted directly under the joint of two tops.

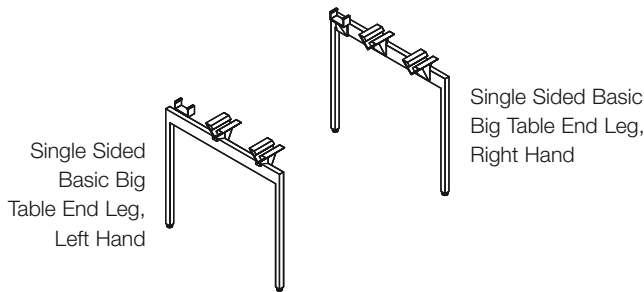
Note that stanchion mounted cabinets do not mount to center beam of basic single sided big tables. Specify the full back version of the single sided big table if stanchion mounted storage is required.



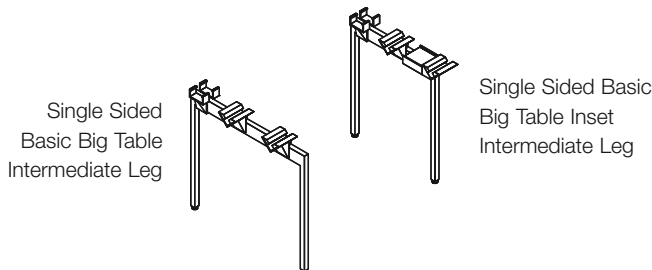
Single Sided Basic Big Table with Inset Intermediate Leg and Center Screen



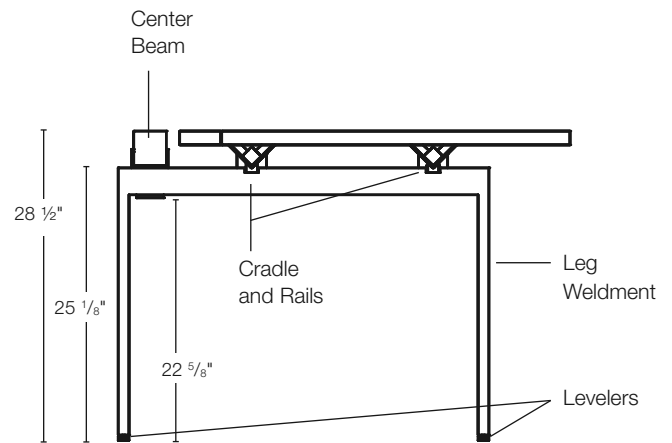
Plan View of Single Sided Basic Big Table



Center beam Bracket on Inner Side of End Leg



Center Beam Bracket on Both Sides of Intermediate Leg



Basic Single Sided Big Table End Elevation

Legs For Full Back Single Sided Big Tables

End legs and intermediate legs for full back, single sided big tables with 18" deep tops are 28" deep, set back 1 1/2" from the front edge. End legs and intermediate legs for tables with tops that are 24", 27" or 30" deep are 34" deep, set back 1 1/2" from the front edge of 24" deep tops, 4 1/2" from the front of 27" deep tops, and 7 1/2" from the front of 30" deep tops. End legs and intermediate legs for basic big tables with 36" deep tops are 40" deep, and set back 7 1/2" from the front edge.

For big tables with tops deeper than 18", inset intermediate legs offer more kneespace than standard intermediate legs: inset intermediate legs 26 1/2" deep are recessed 9" from front edge of 24" deep tops, 12" from front of 27" deep tops and 15" from front of 30" deep tops. Inset intermediate legs 32 1/2" deep are recessed 15" from front edge of 36" deep tops.

Overall depth of full back single sided big tables is about 13" more than the big table tops.

End legs can be positioned from 1 1/2" to 6" in from the end of a big table top, or centered under the joint of a top and extension top. Intermediate legs or inset intermediate legs must be mounted directly under the joint of two tops.

Note that stanchion mounted cabinets mount on full back single sided big table center beam with storage stanchion supports, specified separately.

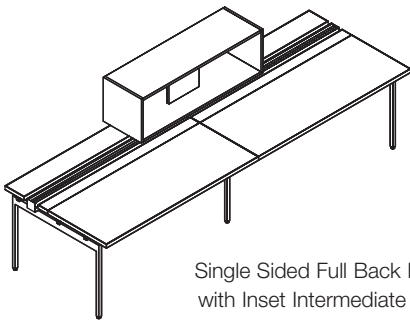
Construction

Big table end legs, intermediate legs and inset intermediate legs are steel weldments with 1" square legs and a 2 1/2" horizontal rail. Standard legs include 2 1/2" levelers with 3/8" stems and continuous 1 1/2" adjustment range for desk tops from 28 3/8" to 30" overall height. Adjustable legs include 5" levelers with 5/8" diameter stems and a continuous 3" adjustment range for desk tops from 27"-30" overall height.

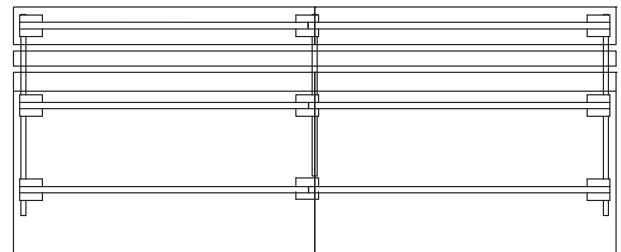
Cradles and clamps are cast aluminum with countersunk fasteners into legs, mating parts and tops.

Specifications Options

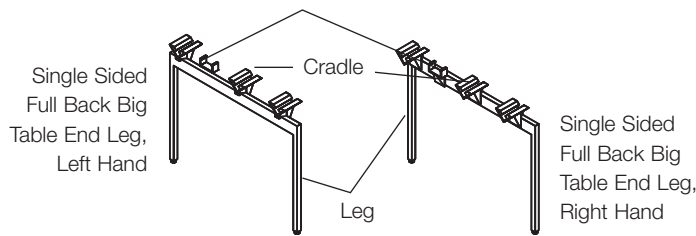
Big table end legs, intermediate legs and inset intermediate legs can be specified in any Knoll Core, Dark Red or Slate Blue paint finish. Specify cradle finish separately in any Knoll Core, Dark Red or Slate Blue paint finish.



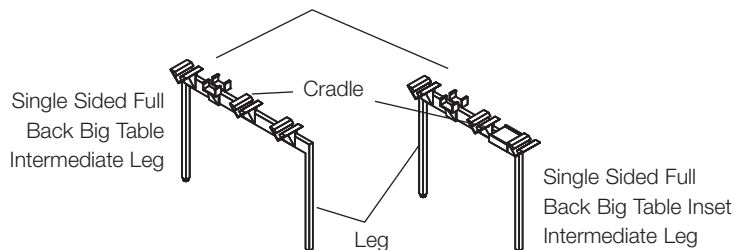
Single Sided Full Back Big Table with Inset Intermediate Leg and Stanchion Mounted Open Cabinet



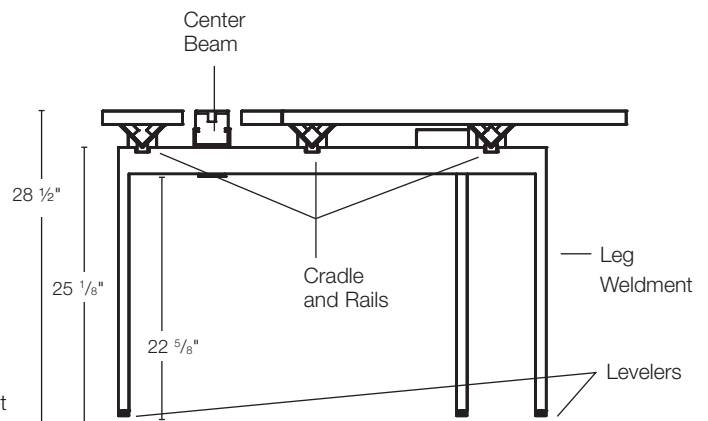
Plan View of Single Sided Full Back Big Table



Center Beam Bracket on Inner Side of Leg



Center Beam Bracket on Both Sides of Leg

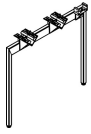


Full Back Single Sided Big Table End Elevation

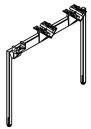
Legs for Single Sided Big Tables

Desk Height, Basic

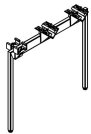
description	type	w	d	h	pattern no.	list
Desk Height End Legs for Single Sided Basic Big Tables (Left Shown)	Left support for 18"D single sided big table	1"	22"	25"	YELSSDB22L	\$366.
	Left support for 24", 27" or 30"D single sided big table	1"	28"	25"	YELSSDB28L	382.
	Left support for 36"D single sided big table	1"	34"	25"	YELSSDB34L	397.



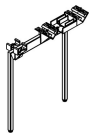
Desk Height End Legs for Single Sided Basic Big Tables (Right Shown)	Right support for 18"D single sided big table	1"	22"	25"	YELSSDB22R	366.
	Right support for 24", 27" or 30"D single sided big table	1"	28"	25"	YELSSDB28R	382.
	Right support for 36"D single sided big table	1"	34"	25"	YELSSDB34R	397.



Desk Height Intermediate Legs for Single Sided Basic Big Tables	For 18"D single sided big tables	1"	22"	25"	YILSSDB22	424.
	For 24", 27" or 30"D single sided big table	1"	28"	25"	YILSSDB28	441.
	For 36"D single sided big table	1"	34"	25"	YILSSDB34	455.



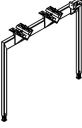
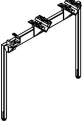
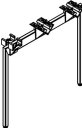
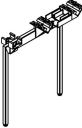
Desk Height Inset Intermediate Legs for Single Sided Basic Big Tables	For 24", 27" or 30"D single sided big table	1"	20"	25"	YILSSDB20	493.
	For 36"D single sided big table	1"	26"	25"	YILSSDB26	509.



Ordering Information	Order Code	Included With	Options
Legs for Single Big Tables	Legs for Single Side Big Tables	Legs for Single Side Big Tables	Legs for Single Side Big Tables
1. Pattern Number	<i>Example:</i> YELSSDB22L, 118T, 118T	(2) Glides	
2. Leg Paint Finish	YEL End Leg	(4) Cradles	
3. Cradle Paint Finish	SS Single Sided Big Table	Center Beam Support Brackets	
	D Desk Height	Attachment Hardware	
	B Basic		
	22 Depth		
	L Left Support		
	118T Bright White Paint		
	118T Bright White Paint		

Legs for Single Sided Big Tables

Adjustable Height, Basic

description	type	w	d	h	pattern no.	list
 Adjustable Height End Legs for Single Sided Basic Big Tables (Left Shown)	Left support for 18"D single sided big table	1"	22"	25 1/2" - 28 1/2"	YELSSAB22L	\$399.
	Left support for 24", 27" or 30"D single sided big table	1"	28"	25 1/2" - 28 1/2"	YELSSAB28L	415.
	Left support for 36"D single sided big table	1"	34"	25 1/2" - 28 1/2"	YELSSAB34L	429.
 Adjustable Height End Legs for Single Sided Basic Big Tables (Right Shown)	Right support for 18"D single sided big table	1"	22"	25 1/2" - 28 1/2"	YELSSAB22R	399.
	Right support for 24", 27" or 30"D single sided big table	1"	28"	25 1/2" - 28 1/2"	YELSSAB28R	415.
	Right support for 36"D single sided big table	1"	34"	25 1/2" - 28 1/2"	YELSSAB34R	429.
 Adjustable Height Intermediate Legs for Single Sided Basic Big Tables	For 18"D single sided big tables	1"	22"	25 1/2" - 28 1/2"	YILSSAB22	456.
	For 24", 27" or 30"D single sided big tables	1"	28"	25 1/2" - 28 1/2"	YILSSAB28	473.
	For 36"D single sided big tables	1"	34"	25 1/2" - 28 1/2"	YILSSAB34	487.
 Adjustable Height Inset Intermediate Legs for Single Sided Basic Big Tables	For 24", 27" or 30"D single sided big tables	1"	20"	25 1/2" - 28 1/2"	YILSSAB20	525.
	For 36"D single sided big table	1"	26"	25 1/2" - 28 1/2"	YILSSAB26	541.

Desk and Table Support

Ordering Information

Legs for Single Big Tables

1. Pattern Number
2. Leg Paint Finish
3. Cradle Paint Finish

Order Code

Legs for Single Side Big Tables

Example: **YELSSAB22L, 118T, 118T**

YEL	End Leg
SS	Single Sided Big Table
A	Adjustable Height
B	Basic
22	Depth
L	Left Support
118T	Bright White Paint
118T	Bright White Paint

Included With

Legs for Single Side Big Tables

- (2) Glides
- (4) Cradles
- Center Beam Support Brackets
- Attachment Hardware

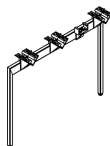
Options

Legs for Single Side Big Tables

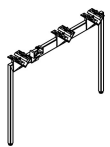
Legs for Single Sided Big Tables

Desk Height, Full Back

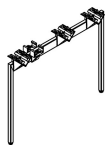
description	type	w	d	h	pattern no.	list
Desk Height End Legs for Single Sided Full Back Big Tables (Left Shown)	Left support for 18"D single sided big table	1"	28"	25"	YELSSDF28L	\$418.
	Left support for 24", 27" or 30"D single sided big table	1"	34"	25"	YELSSDF34L	431.
	Left support for 36"D single sided big table	1"	40"	25"	YELSSDF40L	451.



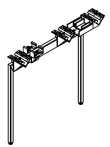
Desk Height End Legs for Single Sided Full Back Big Tables (Right Shown)	Right support for 18"D single sided big table	1"	28"	25"	YELSSDF28R	418.
	Right support for 24", 27" or 30"D single sided big table	1"	34"	25"	YELSSDF34R	431.
	Right support for 36"D single sided big table	1"	40"	25"	YELSSDF40R	451.



Desk Height Intermediate Legs for Single Sided Full Back Big Tables	For 18"D single sided big tables	1"	28"	25"	YILSSDF28	468.
	For 24", 27" or 30"D single sided big table	1"	34"	25"	YILSSDF34	483.
	For 36"D single sided big table	1"	40"	25"	YILSSDF40	538.



Desk Height Inset Intermediate Legs for Single Sided Full Back Big Tables	For 24", 27" or 30"D single sided big table	1"	26 1/2"	25"	YILSSDF26	534.
	For 36"D single sided big table	1"	32 1/2"	25"	YILSSDF32	548.



Ordering Information

Legs for Single Big Tables

1. Pattern Number
2. Leg Paint Finish
3. Cradle Paint Finish

Order Code

Legs for Single Side Big Tables

Example: **YELSSDF28L, 118T, 118T**

YEL	End Leg
SS	Single Sided Big Table
D	Desk Height
F	Full Performance
28	Depth
L	Left Support
118T	Bright White Paint
118T	Bright White Paint

Included With

Legs for Single Side Big Tables

(2) Glides
(4) Cradles
Center Beam Support Brackets
Attachment Hardware

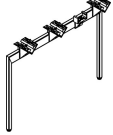
Options

Legs for Single Side Big Tables


Legs for Single Sided Big Tables

Adjustable Height, Full Back


description	type	w	d	h	pattern no.	list
Adjustable Height End Legs for Single Sided Full Back Big Tables (Left Shown)	Left support for 18"D single sided big table	1"	28"	25 1/2" - 28 1/2"	YELSSAF28L	\$452.
	Left support for 24", 27" or 30"D single sided big table	1"	34"	25 1/2" - 28 1/2"	YELSSAF34L	465.
	Left support for 36"D single sided big table	1"	40"	25 1/2" - 28 1/2"	YELSSAF40L	486.



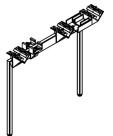
Adjustable Height End Legs for Single Sided Full Back Big Tables (Right Shown)	Right support for 18"D single sided big table	1"	28"	25 1/2" - 28 1/2"	YELSSAF28R	452.
	Right support for 24", 27" or 30"D single sided big table	1"	34"	25 1/2" - 28 1/2"	YELSSAF34R	465.
	Right support for 36"D single sided big table	1"	40"	25 1/2" - 28 1/2"	YELSSAF40R	486.



Adjustable Height Intermediate Legs for Single Sided Full Back Big Tables	For 18"D single sided big tables	1"	28"	25 1/2" - 28 1/2"	YILSSAF28	504.
	For 24", 27" or 30"D single sided big tables	1"	34"	25 1/2" - 28 1/2"	YILSSAF34	517.
	For 36"D single sided big tables	1"	40"	25 1/2" - 28 1/2"	YILSSAF40	538.



Adjustable Height Inset Intermediate Legs for Single Sided Full Back Big Tables	For 24", 27" or 30"D single sided big tables	1"	26 1/2"	25 1/2" - 28 1/2"	YILSSAF26	569.
	For 36"D single sided big table	1"	32 1/2"	25 1/2" - 28 1/2"	YILSSAF32	582.



Ordering Information	Order Code	Included With	Options
Legs for Single Big Tables	Legs for Single Side Big Tables	Legs for Single Side Big Tables	Legs for Single Side Big Tables
1. Pattern Number	<i>Example:</i> YELSSAF28L, 118T, 118T	(2) Glides	
2. Leg Paint Finish	YEL End Leg	(4) Cradles	
3. Cradle Paint Finish	SS Single Sided Big Table	Center Beam Support Brackets	
	A Adjustable Height	Attachment Hardware	
	F Full Performance		
	28 Depth		
	L Left Support		
	118T Bright White Paint		
	118T Bright White Paint		

Legs for C-Leg and T-Leg Tables

Planning Guidelines and Specifications

C-Leg and T-Leg table bases are designed for use with corresponding Antenna tops to create freestanding tables. Antenna tops designated for use with C-Leg and T-Leg table bases must be specified separately. Bases include hardware for mounting top to base.

C-Leg and T-Leg bases are available fixed height or height adjustable. All four height adjustable options are able to be adjusted by the user. Height adjustable options include: Pin-Set, Handcrank, Electric and Advanced Electric. Pin-Set bases adjust with the placement of a pin in each leg to create the appropriate height worksurface for each individual user. Handcrank table bases have a handle on the front of the table base underneath the top that turns to adjust the height of the table. Both types of electric bases have button controls on the front edge of the base underneath the top to adjust the top up and down.

23" deep C-Leg bases support rectangular tops up to 24" deep. 29" deep C-Leg bases support rectangular tops up to 30" deep. 29" deep T-Leg bases support rectangular tops up to 36" deep when centered over feet.

For power and data access, Dividends Horizon desktop power and data modules or Antenna Workspaces desktop outlet centers may be specified separately for use with C-Leg and T-Leg tables.

Dividends Horizon worksurface cable management baskets may be specified separately for use with C-Leg and T-Leg tables.

When privacy screens are required, Antenna Workspaces or Morrison Network privacy screens may be specified separately for use with C-Leg and T-Leg tables. When specifying Antenna Workspaces privacy screens for attachment to C-Leg and T-Leg tables, metal insert kits must be specified separately.

Construction

C-Leg and T-Leg base feet are a two piece construction with formed top and bottom plates made from 8 gauge steel. Feet include levelers with $\frac{3}{8}$ " height adjustability. The crossbars are 14 gauge formed steel "J" channels. Top plates are 13 gauge steel. Shroud is 20 gauge formed steel.

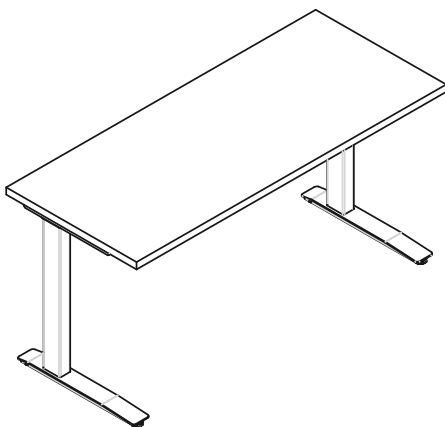
Power usage requirements for electric bases are 110 Volts, 60 Hertz. The power usage breakdown is 4 amp start-up draw, 3.5 amp running draw and zero energy shadow draw when motors not in use.

Specification Options

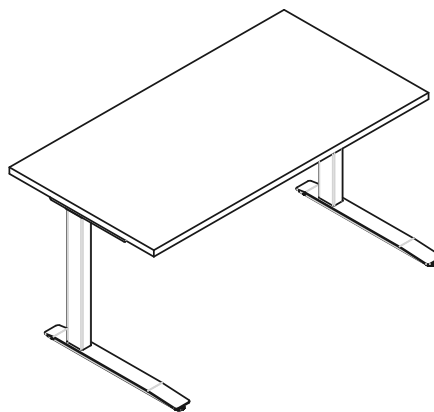
Base comes in Black (9005), Knoll Silver or Knoll Bright White paint finish. Optional lower leg shroud and feet can be specified in Knoll Core paint finishes.

Base Types	Fixed	Pin-Set	Handcrank	Electric	Advanced Electric
Height Range*	27"	22"-35"	22"-35"	27"-46 ½"	21"-47 ½"
Adjustment	N/A	1" increments	"5" turns per inch	1 ½" per second	1 ½" per second
Load Capacity	440 lbs.	440 lbs.	260 lbs.	300 lbs.	300 lbs.

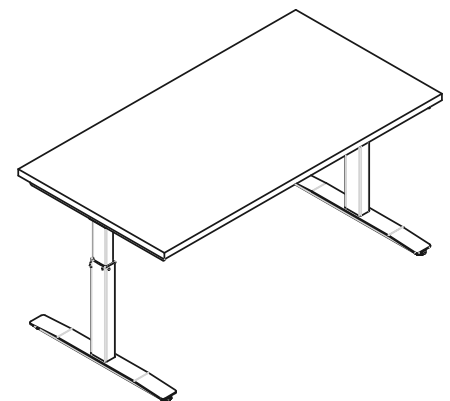
*Height ranges shown do not include top thickness



24"D x 60"W C-Leg Fixed Height Table



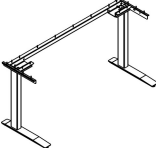
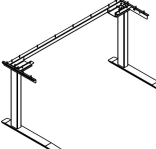
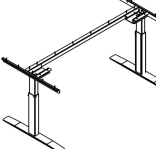
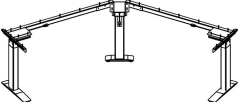
30"D x 60"W C-Leg Fixed Height Table



36"D x 60"W T-Leg Pin-Set Table

Legs for C-Leg and T-Leg Tables

Fixed Height and Height Adjustable

description	type	w*	w	d	pattern no.	Fixed (F)	Pin-Set (P)	Hand-crank (H)	Electric (E)	Advanced Electric (A)
 <p>24" Deep C-Leg Bases</p>	For use with 36"W, 24"D Antenna C-Leg Top	36"	34"	23"	YUBC3423()	\$979.	\$1,305.	\$1,957.	\$3,399.	\$3,578.
	For use with 42"W, 24"D Antenna C-Leg Top	42"	40"	23"	YUBC4023()	979.	1,305.	1,957.	3,399.	3,578.
	For use with 48"W, 24"D Antenna C-Leg Top	48"	46"	23"	YUBC4623()	979.	1,305.	1,957.	3,399.	3,578.
	For use with 54"W, 24"D Antenna C-Leg Top	54"	52"	23"	YUBC5223()	979.	1,305.	1,957.	3,399.	3,578.
	For use with 60"W, 24"D Antenna C-Leg Top	60"	58"	23"	YUBC5823()	979.	1,305.	1,957.	3,399.	3,578.
	For use with 66"W, 24"D Antenna C-Leg Top	66"	64"	23"	YUBC6423()	1,001.	1,327.	1,980.	3,421.	3,602.
	For use with 72"W, 24"D Antenna C-Leg Top	72"	70"	23"	YUBC7023()	1,001.	1,327.	1,980.	3,421.	3,602.
<i>Fixed Shown</i>										
 <p>30" Deep C-Leg Bases</p>	For use with 36"W, 30"D Antenna C-Leg Top	36"	34"	29"	YUBC3429()	1,025.	1,351.	2,004.	3,444.	3,624.
	For use with 42"W, 30"D Antenna C-Leg Top	42"	40"	29"	YUBC4029()	1,025.	1,351.	2,004.	3,444.	3,624.
	For use with 48"W, 30"D Antenna C-Leg Top	48"	46"	29"	YUBC4629()	1,025.	1,351.	2,004.	3,444.	3,624.
	For use with 54"W, 30"D Antenna C-Leg Top	54"	52"	29"	YUBC5229()	1,025.	1,351.	2,004.	3,444.	3,624.
	For use with 60"W, 30"D Antenna C-Leg Top	60"	58"	29"	YUBC5829()	1,025.	1,351.	2,004.	3,444.	3,624.
	For use with 66"W, 30"D Antenna C-Leg Top	66"	64"	29"	YUBC6429()	1,049.	1,375.	2,026.	3,466.	3,648.
	For use with 72"W, 30"D Antenna C-Leg Top	72"	70"	29"	YUBC7029()	1,049.	1,375.	2,026.	3,466.	3,648.
<i>Fixed Shown</i>										
 <p>30" Deep T-Leg Bases</p>	For use with 48"W, 30" or 36"D Antenna T-Leg Top	48"	46"	29"	YUBT4629()	1,025.	1,351.	2,004.	3,444.	3,624.
	For use with 54"W, 30" or 36"D Antenna T-Leg Top	54"	52"	29"	YUBT5229()	1,025.	1,351.	2,004.	3,444.	3,624.
	For use with 60"W, 30" or 36"D Antenna T-Leg Top	60"	58"	29"	YUBT5829()	1,025.	1,351.	2,004.	3,444.	3,624.
	For use with 66"W, 30" or 36"D Antenna T-Leg Top	66"	64"	29"	YUBT6429()	1,049.	1,375.	2,026.	3,466.	3,648.
	For use with 72"W, 30" or 36"D Antenna T-Leg Top	72"	70"	29"	YUBT7029()	1,049.	1,375.	2,026.	3,466.	3,648.
<i>Pin-Set Shown</i>										
 <p>C-Leg 120° Bases</p>	For use with 24"D, 27"D 120° Top	48"	46"	16"	YUBY464616()	1,584.	2,074.	n/a	5,214.	5,489.
	For use with 24"D, 27"D 120° Top	54"	52"	16"	YUBY525216()	1,584.	2,074.	n/a	5,214.	5,489.
	For use with 24"D, 27"D 120° Top	60"	58"	16"	YUBY585816()	1,584.	2,074.	n/a	5,214.	5,489.



w* = nominal width

Ordering Information	Order Code	Included With	Options
C-Leg and T-Leg Bases 1. Pattern Number 2. Base Type 3. Shroud Option 4. Base Finish 5. Shroud/Feet Paint Finish (optional)	C-Leg and T-Leg Bases <i>Example:</i> YUBC5829HS, 9005, 613 YUB Universal Base C C-Leg 58 Width 29 Depth H Handcrank S Shroud 9005 Black Base Finish 613 Shroud/Feet Paint Finish	C-Leg and T-Leg Bases Mounting hardware Shrouds (optional)	C-leg and T-Leg Bases Base Type Options: (F) = Fixed (27" High) (P) = Pin-Set (22" - 35" High) (H) = Handcrank (22" - 35" High) (E) = Electric (27" - 46 1/2" High) (A) = Advanced Electric (21" - 47 1/2" High) Shroud Option: Add an 'S' suffix to the pattern number to specify a painted shroud for the lower leg with matching foot and add \$100 to the list price. Add an 'N' suffix to specify a leg without a shroud. Base Option: (9005) Black paint (613) Silver paint (118) Bright White paint

Desk and Table Support

Legs for C-Leg and T-Leg Tables

Fixed Height and Height Adjustable

description	type	w	d	h	pattern no.	list
Electric Table Memory Switch with Digital Display 	For use with Electric C-Leg and T-Leg bases	5"	.75"	1"	SISDDPS	\$384.
Locking Casters, Set of 4 	For use with C-Leg and T-Leg bases	2"	2"	1.5"	SISLC4	51.
Insert Kit, Antenna Privacy Screen	To attach Antenna Workspaces Privacy Screens to C-Leg and T-Leg worksurfaces				SISAWDSIK	26.

Ordering Information	Order Code	Included With	Options
C-Leg and T-Leg Bases	Example: SISDDPS	C-Leg and T-Leg Bases	C-Leg and T-Leg Bases
1. Pattern Number	SIS Universal Base DDPS Electric Table Memory Switch with Digital Display		

Modesty Panels for Desks or Returns

Planning Guidelines and Specifications

Modesty panels enable full width, recessed or flush enclosure under Antenna desks, returns or bridge top applications and can also be planned for use with end panels. Modesty panels are suspended from the desktop and available in half height or full height versions. In both heights, modesty panels can be specified with or without a 1 1/4" high cord passage at the top to enable wire management or clamp-on accessories like Sapper monitor arms or desktop outlet center.

Half height modesty panels for desks start 10 1/2" above the floor, aligning with suspended files. Both modesty heights typically correspond in width to desk tops and are available in 6" wide increments from 36" to 84". Modesty panels include two or three brackets to the underside of a desktop and offset brackets to secure the inside of the panel to the back of Antenna desk and legs. Offset brackets define a 3/4" space between the inside of the panel and the back edge of the desk end legs.

When planning a desk with a modesty panel that is flush with the front edge of the top, specify standard depth desk end legs, actual depth is 3" less than the top depth. Modesty panels without a cord passage that are flush with the front edge of a desk top should not be planned in combination with Overlay tops.

When planning a modesty panel that is recessed 3" or 6" from the front edge of the top, specify legs that correspond to a top that is 3" or 6" less deep, actual leg depth is 6" or 9" less than the top depth. For example, a desk top 30" deep can be specified with 24" or 21" deep standard desk end leg to enable the modesty panel to be recessed 3" or 6" from the front edge of the top.

Modesty panels are not designed to be used in combination with table desk end legs.

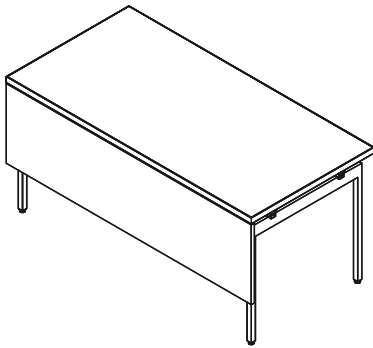
Modesty panel brackets do not deface the legs and may be added or removed without disassembling the desk.

Construction

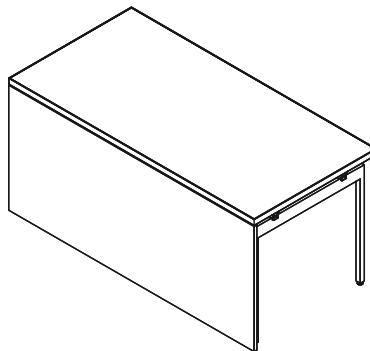
Modesty panels are 3/4" thick veneer, laminate or painted wood and include steel and cast aluminum brackets.

Specification Options

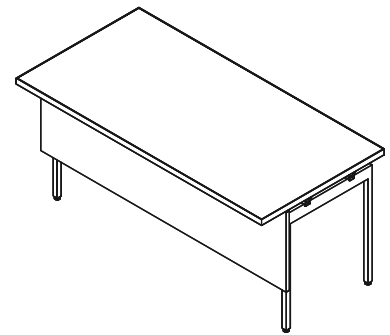
Specify modesty panels in any Knoll Core paint finish, solid and pattern laminate or veneer. Brushed Sand (122) and Brushed Grey (123) are not available on modesty panels. Specify bracket color in any Knoll Core paint finish.



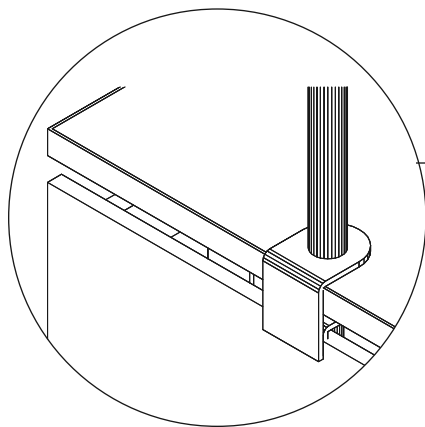
Desk with Partial Height Modesty Panel



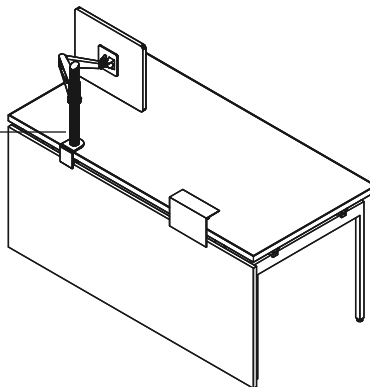
Desk with Full Height Modesty Panel



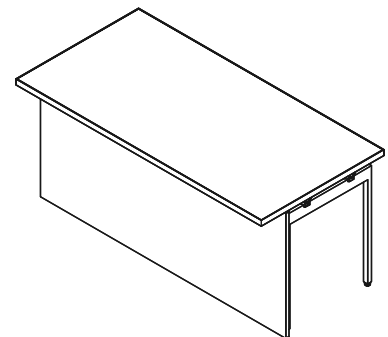
Desk with Recessed Partial Height Modesty Panel



Sapper Monitor Arm Desk Clamp with Modesty Panel Cord Passage

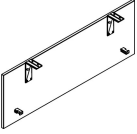


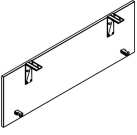
Desk with Full Height Modesty Panel with Cord Passage



Desk with Recessed Full Height Modesty Panel

Modesty Panels for Desks or Returns
Half Height
Painted, Laminate or Veneer

description	type	w	d	h	pattern no.	Painted (P)	Laminate (L)	V1 (V)	V2 (V)	V3 (V)
Modesty Panels for Desks or Returns, Half Height 	For 36" Wide Tops	36"	3/4"	16 7/8"	YMP1736()	\$252.	\$276.	\$603.	\$693.	\$901.
	For 42" Wide Tops	42"	3/4"	16 7/8"	YMP1742()	259.	282.	622.	715.	931.
	For 48" Wide Tops	48"	3/4"	16 7/8"	YMP1748()	264.	303.	646.	744.	967.
	For 54" Wide Tops	54"	3/4"	16 7/8"	YMP1754()	270.	310.	670.	771.	1,002.
	For 60" Wide Tops	60"	3/4"	16 7/8"	YMP1760()	317.	396.	719.	826.	1,074.
	For 66" Wide Tops	66"	3/4"	16 7/8"	YMP1766()	357.	436.	738.	849.	1,104.
	For 72" Wide Tops	72"	3/4"	16 7/8"	YMP1772()	362.	442.	758.	872.	1,134.
	For 78" Wide Tops	78"	3/4"	16 7/8"	YMP1778()	368.	447.	786.	905.	1,177.
	For 84" Wide Tops	84"	3/4"	16 7/8"	YMP1784()	373.	452.	806.	928.	1,205.

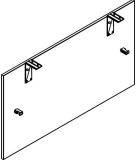
Modesty Panels for Desks or Returns, Half Height with Cord Passage 	For 36" Wide Tops	36"	3/4"	15 7/8"	YMP1636()	252.	276.	603.	693.	901.
	For 42" Wide Tops	42"	3/4"	15 7/8"	YMP1642()	259.	282.	622.	715.	931.
	For 48" Wide Tops	48"	3/4"	15 7/8"	YMP1648()	264.	303.	646.	744.	967.
	For 54" Wide Tops	54"	3/4"	15 7/8"	YMP1654()	270.	310.	670.	771.	1,002.
	For 60" Wide Tops	60"	3/4"	15 7/8"	YMP1660()	317.	396.	719.	826.	1,074.
	For 66" Wide Tops	66"	3/4"	15 7/8"	YMP1666()	357.	436.	738.	849.	1,104.
	For 72" Wide Tops	72"	3/4"	15 7/8"	YMP1672()	362.	442.	759.	872.	1,134.
	For 78" Wide Tops	78"	3/4"	15 7/8"	YMP1678()	368.	447.	786.	905.	1,177.
	For 84" Wide Tops	84"	3/4"	15 7/8"	YMP1684()	373.	452.	806.	928.	1,205.

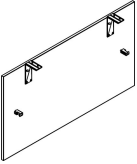
Ordering Information	Order Code	Included With	Options
Modesty Panels for Desks or Returns 1. Pattern Number 2. Surface Finish 3. Bracket Paint Finish	Modesty Panels for Desks or Returns <i>Example:</i> YMP1748P, 118T, 118T YMP Modesty Panel 17 Height 48 Width P Paint 118T Bright White Paint 118T Bright White Paint	Modesty Panels for Desks or Returns Attachment brackets Hardware	Modesty Panels for Desks or Returns Finish Options: (P) = Painted (L) = Laminate (V) = Veneer

Modesty Panels for Desks or Returns

Full Height

Painted, Laminate or Veneer

description	type	w	d	h	pattern no.	Painted (P)	Laminate (L)	V1 (V)	V2 (V)	V3 (V)
Modesty Panels for Desks or Returns, Full Height 	For 36" Wide Tops	36"	3/4"	26 1/2"	YMP2736()	\$272.	\$342.	\$673.	\$775.	\$1,007.
	For 42" Wide Tops	42"	3/4"	26 1/2"	YMP2742()	281.	352.	702.	807.	1,049.
	For 48" Wide Tops	48"	3/4"	26 1/2"	YMP2748()	290.	359.	738.	850.	1,105.
	For 54" Wide Tops	54"	3/4"	26 1/2"	YMP2754()	298.	366.	767.	883.	1,148.
	For 60" Wide Tops	60"	3/4"	26 1/2"	YMP2760()	350.	495.	832.	959.	1,246.
	For 66" Wide Tops	66"	3/4"	26 1/2"	YMP2766()	392.	538.	863.	993.	1,290.
	For 72" Wide Tops	72"	3/4"	26 1/2"	YMP2772()	401.	546.	891.	1,025.	1,332.
	For 78" Wide Tops	78"	3/4"	26 1/2"	YMP2778()	410.	554.	929.	1,067.	1,388.
	For 84" Wide Tops	84"	3/4"	26 1/2"	YMP2784()	418.	562.	957.	1,100.	1,430.

Modesty Panels for Desks or Returns, Full Height with Cord Passage 	For 36" Wide Tops	36"	3/4"	26 1/2"	YMP2636()	272.	342.	673.	775.	1,007.
	For 42" Wide Tops	42"	3/4"	26 1/2"	YMP2642()	281.	352.	702.	807.	1,049.
	For 48" Wide Tops	48"	3/4"	26 1/2"	YMP2648()	290.	359.	738.	850.	1,105.
	For 54" Wide Tops	54"	3/4"	26 1/2"	YMP2654()	298.	366.	767.	883.	1,148.
	For 60" Wide Tops	60"	3/4"	26 1/2"	YMP2660()	350.	495.	832.	959.	1,246.
	For 66" Wide Tops	66"	3/4"	26 1/2"	YMP2666()	392.	538.	863.	993.	1,290.
	For 72" Wide Tops	72"	3/4"	26 1/2"	YMP2672()	401.	546.	891.	1,025.	1,332.
	For 78" Wide Tops	78"	3/4"	26 1/2"	YMP2678()	410.	554.	929.	1,067.	1,388.
	For 84" Wide Tops	84"	3/4"	26 1/2"	YMP2684()	418.	562.	957.	1,100.	1,430.

Desk and Table Support

Ordering Information	Order Code	Included With	Options
Modesty Panels for Desks or Returns 1. Pattern Number 2. Surface Finish 3. Bracket Paint Finish	Modesty Panels for Desks or Returns <i>Example: YMP2748P, 118T, 118T</i> YMP Modesty Panel 27 Height 48 Width P Paint 118T Bright White Paint 118T Bright White Paint	Modesty Panels for Desks or Returns Attachment brackets Hardware	Modesty Panels for Desks or Returns Finish Options: (P) = Painted (L) = Laminate (V) = Veneer

Back Panels for Single Sided Big Tables

Planning Guidelines and Specifications

Back panels provide full enclosure on the back side of a single sided big table, from the underside of the top to within an inch above the floor. Back panels are available in 6" increments of width from 48" to 84" and should be specified in the same width as the top above.

Back panels can be planned with or without single sided big table end panels.

Back panel brackets do not deface the legs and may be added or removed without disassembling the big table.

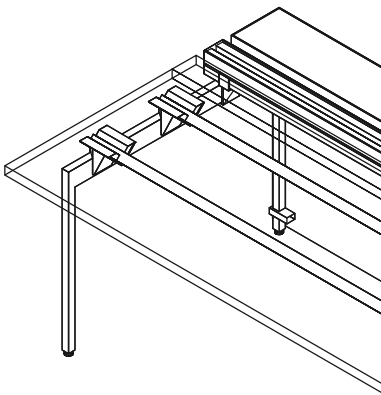
Construction

Back panels are 3/4" thick veneer, laminate or painted wood. Back panels include two or three top attachment brackets and brackets that secure the bottom of the back panel to

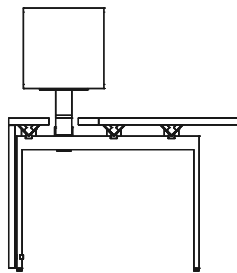
the back of the big table end or intermediate legs. Brackets are steel and cast aluminum.

Specification Options

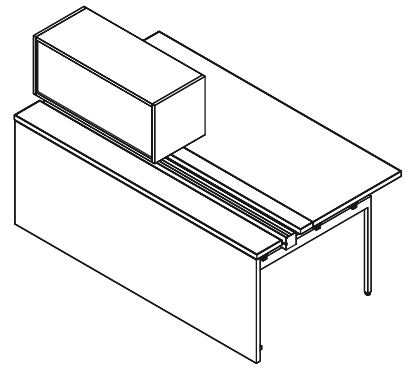
Specify back panels in any Knoll Core paint finish, solid and pattern laminate or veneer. Brushed Sand (122) and Brushed Grey (123) are not available on back panels. Specify bracket



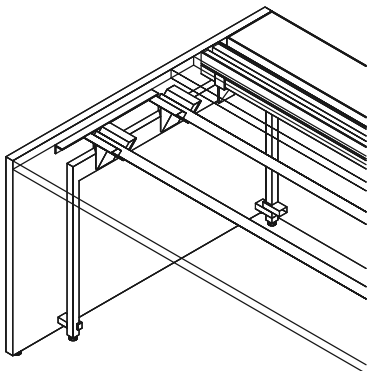
Single Sided Big Table with Back Panel



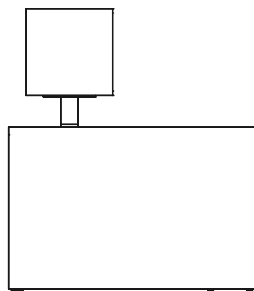
Single Sided Big Table with Back Panel End Elevation



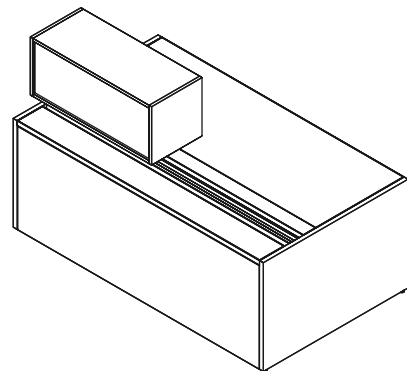
Single Sided Big Table with Back Panel



Single Sided Big Table with Back Panel and End Panel



Single Sided Big Table with Back Panel and End Panel End Elevation



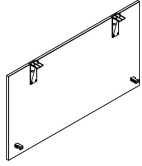
Single Sided Big Table with Back Panel and End Panel End Elevation

Back Panels for Single Sided Big Tables

Full Performance

Painted, Laminate or Veneer

description	type	w	d	h	pattern no.	Painted (P)	Laminate (L)	V1 (V)	V2 (V)	V3 (V)
Back Panels for Single Sided Big Table, Full Performance	For 48" Wide Tops	48"	3/4"	27"	YBPSSF2748()	\$290.	\$359.	\$738.	\$850.	\$1,105.
	For 54" Wide Tops	54"	3/4"	27"	YBPSSF2754()	298.	366.	767.	883.	1,148.
	For 60" Wide Tops	60"	3/4"	27"	YBPSSF2760()	350.	495.	832.	959.	1,246.
	For 66" Wide Tops	66"	3/4"	27"	YBPSSF2766()	392.	538.	863.	993.	1,290.
	For 72" Wide Tops	72"	3/4"	27"	YBPSSF2772()	401.	546.	891.	1,025.	1,332.
	For 78" Wide Tops	78"	3/4"	27"	YBPSSF2778()	410.	554.	929.	1,067.	1,388.
	For 84" Wide Tops	84"	3/4"	27"	YBPSSF2784()	418.	562.	957.	1,100.	1,430.



Ordering Information

Back Panels for Single Sided Big Tables

1. Pattern Number
2. Surface Finish
3. Bracket Paint Finish

Order Code

Back Panels for Single Sided Tables

Example: **YBPSSF2748P, 118T, 118T**

YBP	Back Panel
SS	Single Sided Big Table
F	Full Performance
27	Height
48	Width
P	Paint
118T	Bright White Paint
118T	Bright White Paint

Included With

Back Panels for Single Sided Big Tables

Attachment brackets
Hardware

Options

Back Panels for Single Sided Big Tables

Finish Options:
(P) = Painted
(L) = Laminate
(V) = Veneer

End Panels

For Desks or Returns

Planning Guidelines and Specifications

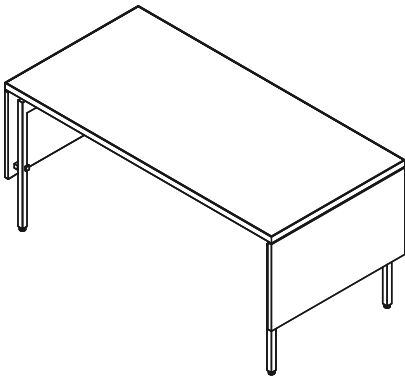
End panels for desks can be planned with modesty panels or independently to add enclosure below Antenna desk tops. End panels are added outside the standard Antenna desk structure and do not touch the floor. End panels are available in half height or full height versions.

END PANELS DO NOT TAKE THE PLACE OF END LEGS OR PROVIDE SUPPORT.

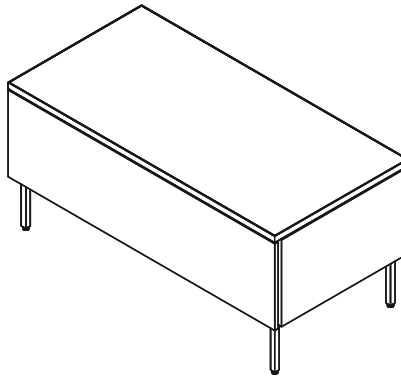
Half height versions start 10" above the floor, aligning with suspended files. In both heights, end panels can be specified with or without a 1 1/4" high cord passage at the top to enable wire management or clamp-on accessories like Sapper monitor arms or desktop power center.

End panels used independently, without a modesty panel, are full depth to match desk tops 18", 24", 27", 30" or 36" deep.

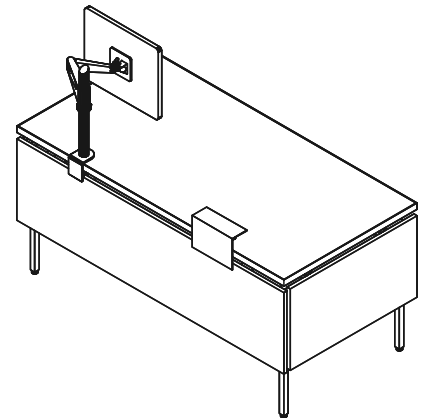
End panels for Antenna desks with modesty enclose the end of a desk in combination with a modesty panel. End panels for use in combination with an overlapping modesty panel are 1 1/2" less deep than the standard top depth. End panels are designed to be flush with the end and front edge of a desk top and align with the back edge of the desk end leg.



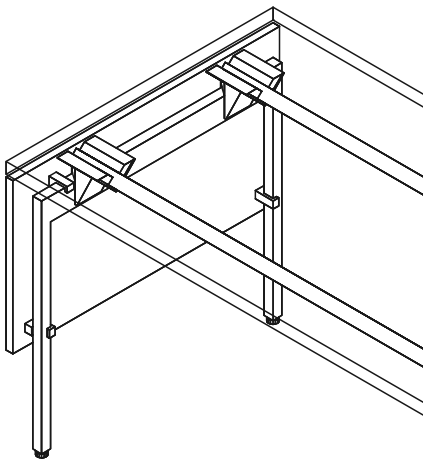
Desk with Partial Height End Panel



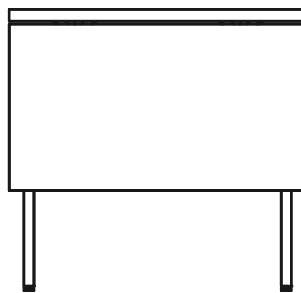
Desk with Partial Height End and Modesty Panel



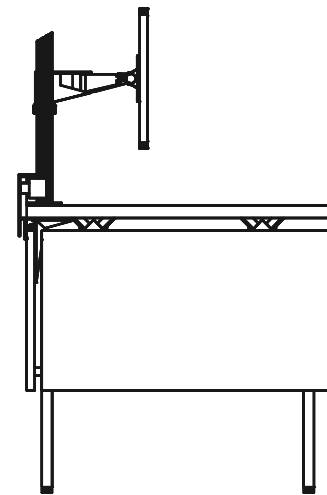
Desk with Partial Height End and Modesty Panel with Cord Passage



Desk with Partial Height End Panel



Desk with Partial Height End Panel Elevation



Desk with Partial Height End and Modesty Panel with Cord Passage Elevation

End Panels

For Desks or Returns

Planning Guidelines and Specifications

End panels include two brackets over the top of an adjacent end leg and offset brackets to secure the inside of the panel to the side of the leg. Offset brackets define a 3/4" space between the end panel and the side of the desk end legs. When installed together there is a 3/4" reveal between the end panel and the inside of the modesty. End panels require a standard desk end leg positioned 1 1/2" from end of desk top for support.

Because of crisp edge details, desk end panels should not be planned in combination with radius corner Overlay tops, but can be planned with crisp corner "Benching" type Overlay tops.

End panels are not designed to be used in combination with table desk end legs.

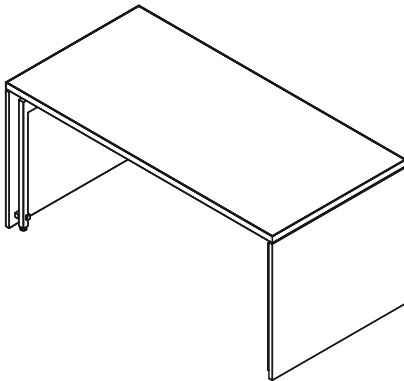
End panel brackets do not deface the legs and may be added or removed without disassembling the desk.

Construction

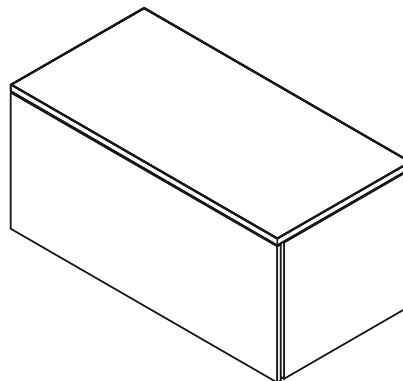
End panels are 3/4" thick veneer, laminate, or painted wood and include steel and cast aluminum brackets.

Specification Options

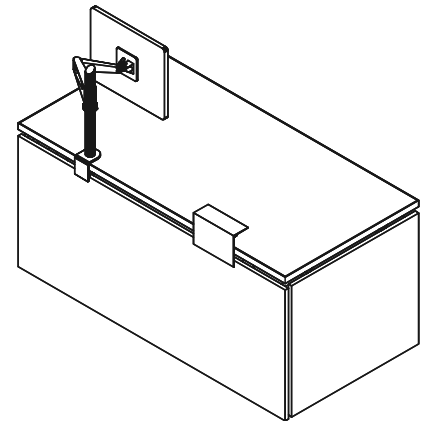
Specify end panels in any Knoll Core paint finish, solid and pattern laminate or veneer. Brushed Sand (122) and Brushed Grey (123) are not available on end panels 60" and wider. Also, specify bracket color in any Knoll Core paint finish.



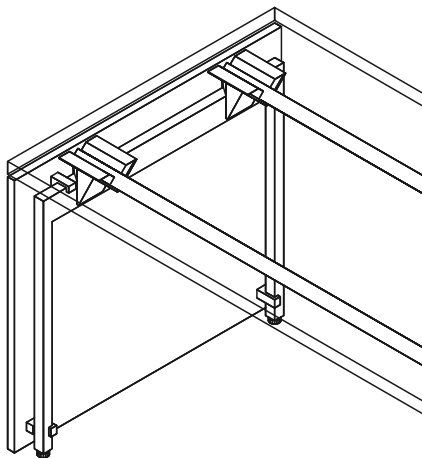
Desk with Full Height End Panel



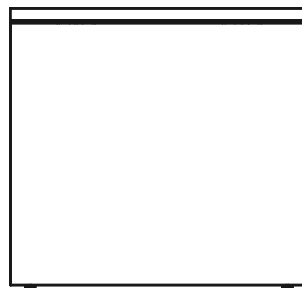
Desk with Full Height End and Modesty Panel



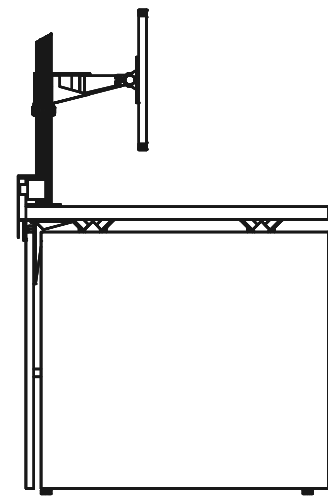
Desk with Full Height End and Modesty Panel with Cord Passage



Desk with Full Height End Panel



Desk with Full Height End Panel Elevation

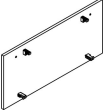


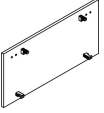
Desk with Full Height End and Modesty Panel with Cord Passage Elevation

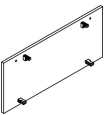
End Panels

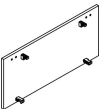
Half Height for Desks or Returns

Painted, Laminate or Veneer

description	type	w	d	h	pattern no.	Painted (P)	Laminate (L)	V1 (V)	V2 (V)	V3 (V)
 End Panels for Desks or Returns, Half Height	For 18" Deep Tops	18"	3/4"	16 7/8"	YEP1718()	\$181.	\$178.	\$529.	\$608.	\$791.
	For 24" Deep Tops	24"	3/4"	16 7/8"	YEP1724()	187.	188.	557.	641.	832.
	For 27" Deep Tops	27"	3/4"	16 7/8"	YEP1727()	190.	191.	574.	660.	858.
	For 30" Deep Tops	30"	3/4"	16 7/8"	YEP1730()	193.	207.	582.	669.	870.
	For 36" Deep Tops	36"	3/4"	16 7/8"	YEP1736()	199.	221.	602.	692.	899.

 End Panels for Desks or Returns, Half Height for use with Modesty Panels	For 18" Deep Tops	16 1/2"	3/4"	16 7/8"	YEP1717()	181.	178.	536.	616.	801.
	For 24" Deep Tops	22 1/2"	3/4"	16 7/8"	YEP1723()	187.	188.	555.	639.	829.
	For 27" Deep Tops	25 1/2"	3/4"	16 7/8"	YEP1726()	191.	192.	575.	661.	859.
	For 30" Deep Tops	28 1/2"	3/4"	16 7/8"	YEP1729()	193.	194.	588.	676.	882.
	For 36" Deep Tops	34 1/2"	3/4"	16 7/8"	YEP1735()	199.	221.	608.	699.	909.

 End Panels for Desks or Returns, Half Height with Cord Passage	For 18" Deep Tops	18"	3/4"	15 7/8"	YEP1618()	181.	178.	529.	608.	791.
	For 24" Deep Tops	24"	3/4"	15 7/8"	YEP1624()	187.	188.	557.	641.	832.
	For 27" Deep Tops	27"	3/4"	15 7/8"	YEP1627()	190.	191.	574.	660.	858.
	For 30" Deep Tops	30"	3/4"	15 7/8"	YEP1630()	193.	207.	582.	669.	870.
	For 36" Deep Tops	36"	3/4"	15 7/8"	YEP1636()	199.	221.	602.	692.	899.

 End Panels for Desks or Returns, Half Height with Modesty Panels	For 18" Deep Tops	16 1/2"	3/4"	15 7/8"	YEP1617()	181.	178.	536.	616.	801.
	For 24" Deep Tops	22 1/2"	3/4"	15 7/8"	YEP1623()	187.	188.	555.	639.	829.
	For 27" Deep Tops	25 1/2"	3/4"	15 7/8"	YEP1626()	191.	192.	575.	661.	859.
	For 30" Deep Tops	28 1/2"	3/4"	15 7/8"	YEP1629()	193.	194.	588.	676.	882.
	For 36" Deep Tops	34 1/2"	3/4"	15 7/8"	YEP1635()	199.	221.	608.	699.	909.

Ordering Information

End Panels for Desks or Returns

1. Pattern Number
2. Surface Finish
3. Bracket Paint Finish

Order Code

End Panels for Desks or Returns

Example: **YEP1724P, 118T, 118T**

YEP	End Panel
17	Height
24	Width
P	Paint
118T	Bright White Paint
118T	Bright White Paint

Included With

End Panels for Desks or Returns
Attachment brackets
Hardware

Options

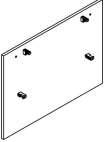
End Panels for Desks or Returns

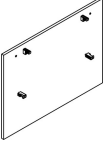
Finish Options:
(P) = Painted
(L) = Laminate
(V) = Veneer

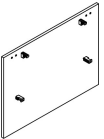
End Panels

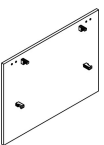
Full Height for Desks or Returns

Painted, Laminate or Veneer

description	type	w	d	h	pattern no.	Painted (P)	Laminate (L)	V1 (V)	V2 (V)	V3 (V)
End Panels for Desks or Returns, Full Height 	For 18" Deep Tops	18"	3/4"	26 1/2"	YEP2718()	\$191.	\$205.	\$567.	\$653.	\$849.
	For 24" Deep Tops	24"	3/4"	26 1/2"	YEP2724()	200.	220.	605.	696.	906.
	For 27" Deep Tops	27"	3/4"	26 1/2"	YEP2727()	204.	224.	618.	711.	927.
	For 30" Deep Tops	30"	3/4"	26 7/8"	YEP2730()	208.	246.	644.	740.	963.
	For 36" Deep Tops	36"	3/4"	26 1/2"	YEP2736()	217.	253.	671.	774.	1,005.

End Panels for Desks or Returns, Full Height for use with Modesty Panels 	For 18" Deep Tops	16 1/2"	3/4"	26 1/2"	YEP2717()	191.	205.	573.	659.	855.
	For 24" Deep Tops	22 1/2"	3/4"	26 1/2"	YEP2723()	200.	213.	601.	691.	898.
	For 27" Deep Tops	25 1/2"	3/4"	26 1/2"	YEP2726()	204.	224.	624.	719.	935.
	For 30" Deep Tops	28 1/2"	3/4"	26 1/2"	YEP2729()	208.	229.	639.	734.	955.
	For 36" Deep Tops	34 1/2"	3/4"	26 1/2"	YEP2735()	217.	273.	669.	770.	1,000.

End Panels for Desks or Returns, Full Height with Cord Passage 	For 18" Deep Tops	18"	3/4"	25 1/2"	YEP2618()	191.	205.	567.	653.	849.
	For 24" Deep Tops	24"	3/4"	25 1/2"	YEP2624()	200.	220.	605.	696.	906.
	For 27" Deep Tops	27"	3/4"	25 1/2"	YEP2627()	204.	224.	618.	711.	927.
	For 30" Deep Tops	30"	3/4"	25 1/2"	YEP2630()	208.	246.	644.	740.	963.
	For 36" Deep Tops	36"	3/4"	25 1/2"	YEP2636()	217.	253.	675.	774.	1,005.

End Panels for Desks or Returns, Full Height with Cord Passage for use with Modesty Panels 	For 18" Deep Tops	16 1/2"	3/4"	25 1/2"	YEP2617()	191.	205.	573.	659.	855.
	For 24" Deep Tops	22 1/2"	3/4"	25 1/2"	YEP2623()	200.	213.	601.	691.	898.
	For 27" Deep Tops	25 1/2"	3/4"	25 1/2"	YEP2626()	204.	224.	624.	719.	935.
	For 29" Deep Tops	28 1/2"	3/4"	25 1/2"	YEP2629()	208.	229.	639.	734.	955.
	For 36" Deep Tops	34 1/2"	3/4"	25 1/2"	YEP2635()	217.	273.	669.	770.	1,000.

Desk and Table Support

Ordering Information	Order Code	Included With	Options
End Panels for Desks or Returns 1. Pattern Number 2. Surface Finish 3. Bracket Paint Finish	End Panels for Desks or Returns <i>Example:</i> YEP2724P, 118T, 118T YEP End Panel 27 Height 24 Width P Paint 118T Bright White Paint 118T Bright White Paint	End Panels for Desks or Returns Attachment brackets Hardware	End Panels for Desks or Returns Finish Options: (P) = Painted (L) = Laminate (V) = Veneer

End Panels

For Back to Back Desks

Planning Guidelines and Specifications

End panels are also available in widths to enclose the end of back-to-back desks, which sit below the front edges of both tops. End panels are added outside the standard Antenna desk structure and do not touch the floor.

END PANELS DO NOT TAKE THE PLACE OF END LEGS OR PROVIDE SUPPORT.

End panels are available in half height or full height versions. Half height versions start 10" above the floor, aligning with suspended files.

End panels are full depth to match back-to-back desks using 18", 24", 27", 30" or 36" deep tops. Overall depths equal 40", 52", 58" and 64".

End panels include two brackets over the top of an adjacent end leg and offset brackets to secure the inside of the panel to the side of the leg. Offset brackets define a 3/4" space between the end panel and the side of the desk end legs.

End panels require a standard back-to-back desk end leg positioned 1 1/2" from end of desk top for support.

Because of crisp edge details, desk end panels should not be planned in combination with radius corner Overlay tops, but can be planned with crisp corner "Benching" type Overlay tops.

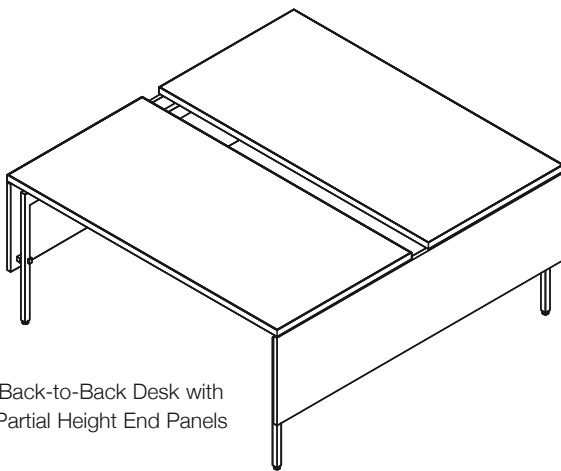
End panel brackets do not deface the legs and may be added or removed without disassembling the desk.

Construction

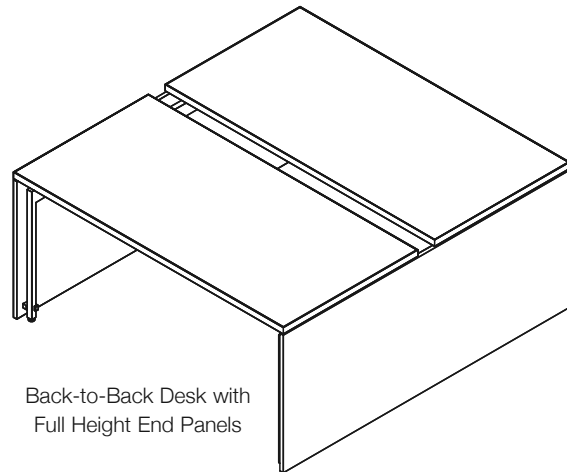
End panels are 3/4" thick veneer, laminate, or painted wood and include steel and cast aluminum brackets.

Specification Options

Specify end panels in any Knoll Core paint finish, solid and pattern laminate or veneer. Brushed Sand (122) and Brushed Grey (123) are not available on end panels 60" and wider. Also, specify bracket color in any Knoll Core paint finish.



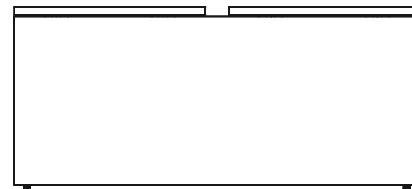
Back-to-Back Desk with Partial Height End Panels



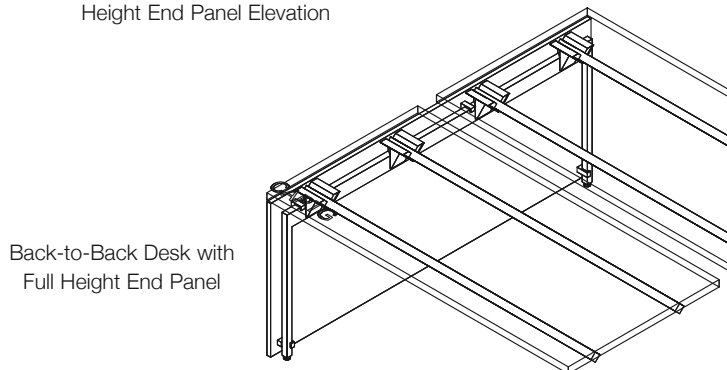
Back-to-Back Desk with Full Height End Panels



Back-to-Back Desk with Partial Height End Panel Elevation



Back-to-Back Desk with Full Height End Panel Elevation

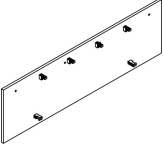


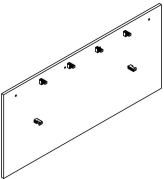
Back-to-Back Desk with Full Height End Panel

End Panels

For Back to Back Desks

Painted, Laminate or Veneer

description	type	w	d	h	pattern no.	Painted (P)	Laminate (L)	V1 (V)	V2 (V)	V3 (V)
End Panels for Back to Back Desks, Half Height 	For 18" Deep Back to Back Tops	39 ³ / ₄ "	³ / ₄ "	16 ⁷ / ₈ "	YEP1740()	\$259.	\$259.	\$627.	\$722.	\$938.
	For 24" Deep Back to Back Tops	51 ³ / ₄ "	³ / ₄ "	16 ⁷ / ₈ "	YEP1752()	270.	285.	673.	776.	1,008.
	For 27" Deep Back to Back Tops	57 ³ / ₄ "	³ / ₄ "	16 ⁷ / ₈ "	YEP1758()	275.	291.	694.	797.	1,037.
	For 30" Deep Back to Back Tops	63 ³ / ₄ "	³ / ₄ "	16 ⁷ / ₈ "	YEP1764()	281.	365.	741.	853.	1,109.
	For 36" Deep Back to Back Tops	75 ³ / ₄ "	³ / ₄ "	16 ⁷ / ₈ "	YEP1776()	292.	377.	780.	897.	1,164.

End Panels for Back to Back Desks, Full Height 	For 18" Deep Back to Back Tops	39 ³ / ₄ "	³ / ₄ "	25 ⁷ / ₈ "	YEP2640()	280.	312.	702.	807.	1,049.
	For 24" Deep Back to Back Tops	51 ³ / ₄ "	³ / ₄ "	25 ⁷ / ₈ "	YEP2652()	297.	341.	767.	884.	1,148.
	For 27" Deep Back to Back Tops	57 ³ / ₄ "	³ / ₄ "	25 ⁷ / ₈ "	YEP2658()	306.	352.	796.	915.	1,190.
	For 30" Deep Back to Back Tops	63 ³ / ₄ "	³ / ₄ "	25 ⁷ / ₈ "	YEP2664()	315.	378.	853.	981.	1,276.
	For 36" Deep Back to Back Tops	75 ³ / ₄ "	³ / ₄ "	25 ⁷ / ₈ "	YEP2676()	333.	480.	918.	1,057.	1,374.

Desk and Table Support

Ordering Information	Order Code	Included With	Options
End Panels for Back to Back Desks 1. Pattern Number 2. Surface Finish 3. Bracket Paint Finish	End Panels for Back to Back Desks <i>Example:</i> YEP1752P, 118T, 118T YEP End Panel 17 Height 52 Width P Paint 118T Bright White Paint 118T Bright White Paint	End Panels for Back to Back Desks Attachment brackets Hardware	End Panels for Back to Back Desks Finish Options: (P) = Painted (L) = Laminate (V) = Veneer

End Panels

For Dual and Single Sided Big Tables

Planning Guidelines and Specifications

End panels are also available in widths to enclose the end of dual and single sided big tables, which align with the end of the desk and the front edges of the tops. End panels are added outside the standard Antenna desk structure, which adds 1 1/2" to the overall width of the big table.

END PANELS DO NOT TAKE THE PLACE OF END LEGS OR PROVIDE TABLE SUPPORT.

End panels for big table enclose the end of a big table, from the floor up to the top of the desk tops and center beam. End panels do not take the place of end legs or provide support; they simply attach to the outside of big table end legs. End panels serve the same purpose as center beam end caps, so end caps do not need to be specified.

End panels are full depth to match dual sided big tables using 18", 24", 27", 30" or 36" deep tops on either side of a center beam. Single sided big tables include a full depth 18", 24", 27", 30" or 36" deep top on the primary side of the center beam and a 7 1/2" deep top on the back side of the center beam. End panels are available full depth to match the depth of single sided big tables. Big table end panels are 28 1/2" high, so the top of the end panel is flush with the desk top.

End panels include two leveling glides and brackets for attachment to the adjacent tops and big table end leg. An end panel uses two brackets for attachment over the top of an adjacent end leg and offset brackets to secure the inside of the panel to the side of the leg.

End panels require a standard big table end leg positioned 1 1/2" from end of desk top for support.

Because of crisp edge details, big end panels should not be planned in combination with radius corner Overlay tops, but can be planned with crisp corner "Benching" type Overlay tops.

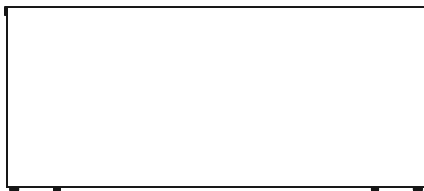
End panel brackets do not deface the legs and may be added or removed without disassembling the desk.

Construction

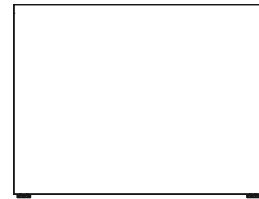
End panels are 3/4" thick veneer, laminate or painted wood and include steel and cast aluminum brackets.

Specification Options

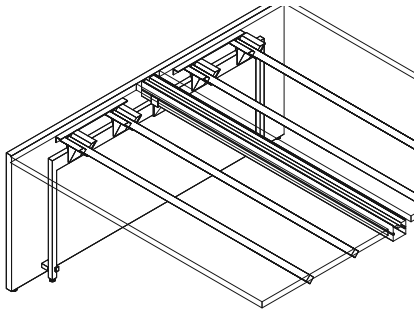
Specify end panels in any Knoll Core paint finish, solid and pattern laminate or veneer. Brushed Sand (122) and Brushed Grey (123) are not available on end panels 60" and wider. Also, specify brackets in any Knoll Core paint finish.



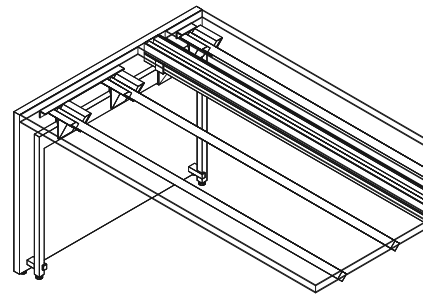
Dual Sided Big Table with End Panels Elevation



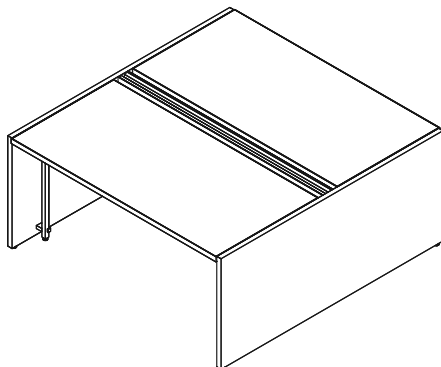
Single Sided Big Table with End Panels End Elevation



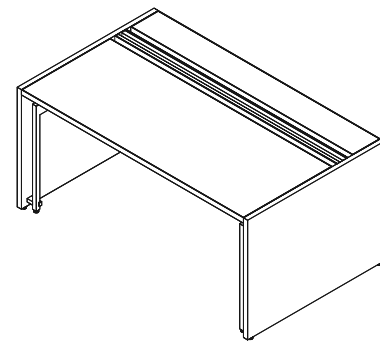
Dual Sided Big Table with End Panels Detail



Single Sided Big Table with End Panels Detail



Dual Sided Big Table with End Panels

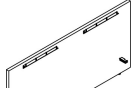


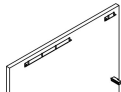
Single Sided Big Table with End Panels

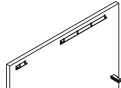
End Panels

For Dual and Single Sided Big Tables

Painted, Laminate or Veneer

description	type	w	d	h	pattern no.	Painted (P)	Laminate (L)	V1 (V)	V2 (V)	V3 (V)
End Panels for Dual Sided Big Tables, Full Height 	For 18"D Dual Sided Big Tables	41 1/2"	1 1/8"	28 1/2"	YEP2841	\$375.	\$378.	\$725.	\$832.	\$1,083.
	For 24"D Dual Sided Big Tables	53 1/2"	1 1/8"	28 1/2"	YEP2853	424.	432.	850.	977.	1,270.
	For 27"D Dual Sided Big Tables	59 1/2"	1 1/8"	28 1/2"	YEP2859	441.	463.	883.	1,014.	1,317.
	For 30"D Dual Sided Big Tables	65 1/2"	1 1/8"	28 1/2"	YEP2865	457.	475.	926.	1,063.	1,382.
	For 36"D Dual Sided Big Tables	77 1/2"	1 1/8"	28 1/2"	YEP2877	492.	593.	947.	1,090.	1,471.

End Panels for Single Sided Big Tables, Left Hand 	For 18"D Single Sided Big Tables	31"	1 1/8"	28 1/2"	YEPSSF2831L	354.	357.	699.	805.	1,047.
	For 24"D Single Sided Big Tables	37"	1 1/8"	28 1/2"	YEPSSF2837L	370.	377.	733.	843.	1,095.
	For 27"D Single Sided Big Tables	40"	1 1/8"	28 1/2"	YEPSSF2840L	377.	383.	749.	861.	1,118.
	For 30"D Single Sided Big Tables	43"	1 1/8"	28 1/2"	YEPSSF2843L	385.	387.	766.	881.	1,145.
	For 36"D Single Sided Big Tables	49"	1 1/8"	28 1/2"	YEPSSF2849L	402.	415.	809.	931.	1,208.

End Panels for Single Sided Big Tables, Right Hand 	For 18"D Single Sided Big Tables	31"	1 1/8"	28 1/2"	YEPSSF2831R	354.	357.	699.	805.	1,047.
	For 24"D Single Sided Big Tables	37"	1 1/8"	28 1/2"	YEPSSF2837R	370.	377.	733.	843.	1,095.
	For 27"D Single Sided Big Tables	40"	1 1/8"	28 1/2"	YEPSSF2840R	377.	383.	749.	861.	1,118.
	For 30"D Single Sided Big Tables	43"	1 1/8"	28 1/2"	YEPSSF2843R	385.	387.	766.	882.	1,145.
	For 36"D Single Sided Big Tables	49"	1 1/8"	28 1/2"	YEPSSF2849R	402.	415.	809.	931.	1,208.

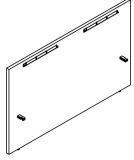
Ordering Information	Order Code	Included With	Options
End Panels For Big Tables 1. Pattern Number 2. Surface Finish 3. Bracket Finish	End Panels For Big Tables <i>Example:</i> YEP2853P, 118T, 118T YEP End Panel 28 Height 53 Width 118T Bright White Paint 118T Bright White Paint	End Panels For Big Tables Attachment brackets Hardware	End Panels For Big Tables Finish Options: (P) = Painted (L) = Laminate (V) = Veneer

End Panels

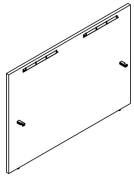
For Standing Height Dual Big Tables

Laminate or Veneer

description	type	w	d	h	pattern no.	Painted (P)	Laminate (L)	V1 (V)	V2 (V)	V3 (V)
End Panels for Standing Height Dual Sided Big Tables 36"H	For 18"D Dual Sided Big Tables	41 1/2"	1 1/8"	36 1/2"	YEPH3641	\$470.	\$506.	\$942.	\$1,048.	\$1,614.
	For 24"D Dual Sided Big Tables	53 1/2"	1 1/8"	36 1/2"	YEPH3653	520.	544.	1,015.	1,144.	1,853.
	For 27"D Dual Sided Big Tables	59 1/2"	1 1/8"	36 1/2"	YEPH3659	543.	700.	1,103.	1,243.	2,025.
	For 30"D Dual Sided Big Tables	65 1/2"	1 1/8"	36 1/2"	YEPH3665	568.	716.	1,139.	1,290.	2,145.



End Panels for Standing Height Dual Sided Big Tables 42"H	For 24"D Dual Sided Big Tables	53 1/2"	1 1/8"	42"	YEPT4253	554.	642.	1,115.	1,261.	2,067.
	For 27"D Dual Sided Big Tables	59 1/2"	1 1/8"	42"	YEPT4259	581.	724.	1,155.	1,313.	2,204.
	For 30"D Dual Sided Big Tables	65 1/2"	1 1/8"	42"	YEPT4265	610.	740.	1,207.	1,380.	2,350.



Ordering Information

End Panels For Big Tables

1. Pattern Number
2. Surface Finish
3. Bracket Finish

Order Code

End Panels For Big Tables

Example: **YEP2853P, 118T, 118T**

YEP End Panel

28 Height

53 Width

118T Bright White Paint

118T Bright White Paint

Included With

End Panels For Big Tables

Attachment brackets
Hardware

Options

End Panels For Big Tables

Finish Options:

(P) = Painted
(L) = Laminate
(V) = Veneer

Enclave End Panels

For Dual Sided Big Tables

Planning Guidelines and Specifications

Enclave end panels enclose the end of dual sided big tables from the floor to a 42" or 49" horizon to align with center screens, or 56"h, tall enough to enclose the back of a large TV.

End panels do not take the place of end legs or provide table support.

Video displays cannot be mounted directly to Antenna Screens, Interpole Screens or Media Enclave End Panels.

Center beam end cap is not required.

End panels are full depth to match dual sided big tables with 18", 24", 27", 30" or 36" deep tops on either side of a center beam.

End panels include two leveling glides and brackets for attachment to the adjacent tops and fixed height big table end leg.

End panels require a standard big table end leg positioned 1 1/2" from end of desk top for support.

Enclave end panels can be planned in combination with standard Antenna or Overlay tops.

End panel brackets do not deface the legs and may be added or removed without disassembling the desk.

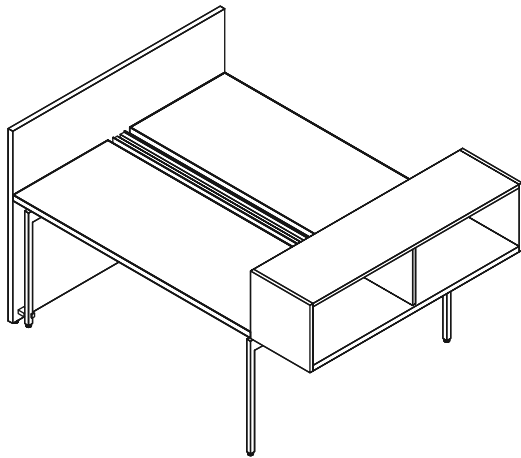
Construction

End panels are 1 1/8" thick laminate or veneer and include steel brackets to the tops and cast aluminum brackets to the leg.

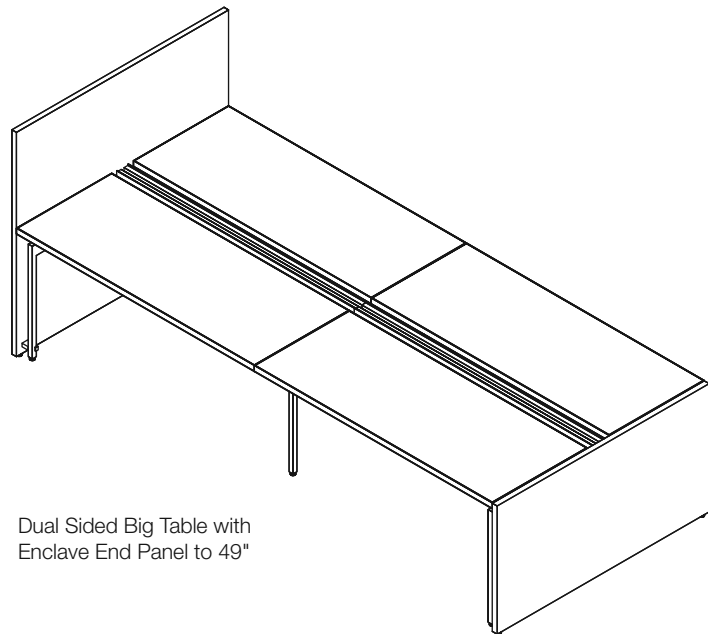
Veneer end panels 48" and taller are in two pieces with centered vertical seam and additional steel stiffener bracket.

Specification Options

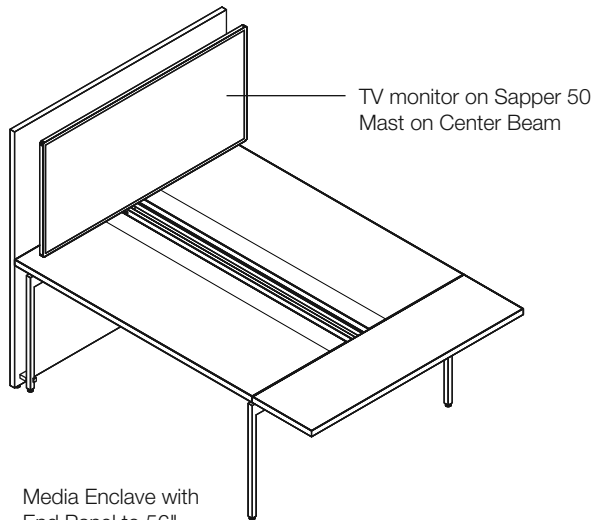
Specify end panels in any Knoll Core, solid and pattern laminate or veneer. Brushed Sand (122) and Brushed Grey (123) are not available on end panels 60" and wider. Specify brackets in any Knoll Core paint finish.



Dual Sided Big Table with Enclave End Panel to 42"



Dual Sided Big Table with Enclave End Panel to 49"



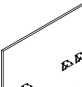
Media Enclave with End Panel to 56"

TV monitor on Sapper 50 Mast on Center Beam


Enclave End Panels

For Dual Sided Big Tables

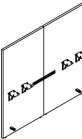
Laminate or Veneer

description	type	w	d	h	pattern no.	Laminate		V1 (V)	V2 (V)	V3 (V)
						(L)	(LM)			
	For 24" D Dual Sided Big Table	53 1/2"	1 1/8"	42"	YEP4253()	\$812.	\$812.	\$1,029.	\$1,183.	\$2,010.
	For 27" D Dual Sided Big Table	59 1/2"	1 1/8"	42"	YEP4259()	1,300.	1,300.	1,453.	1,672.	2,843.
	For 30" D Dual Sided Big Table	65 1/2"	1 1/8"	42"	YEP4265()	1,321.	1,321.	1,480.	1,702.	2,893.
	For 36" D Dual Sided Big Table	77 1/2"	1 1/8"	42"	YEP4277()	1,353.	1,353.	1,554.	1,788.	3,039.

(YEP5659(L/V) shown)

	For 24" D Dual Sided Big Table	53 1/2"	1 1/8"	49"	YEP4953()	838.	1,061.	1,512.	1,739.	2,954.
	For 27" D Dual Sided Big Table	59 1/2"	1 1/8"	49"	YEP4959()	1,326.	1,326.	1,734.	1,995.	3,390.
	For 30" D Dual Sided Big Table	65 1/2"	1 1/8"	49"	YEP4965()	1,347.	1,347.	1,793.	2,063.	3,507.
	For 36" D Dual Sided Big Table	77 1/2"	1 1/8"	49"	YEP4977()	1,390.	1,390.	1,904.	2,190.	3,724.

(YEP5659V shown)

	For 24" D Dual Sided Big Table	53 1/2"	1 1/8"	56"	YEP5653()	865.	1,088.	1,746.	2,005.	3,405.
	For 27" D Dual Sided Big Table	59 1/2"	1 1/8"	56"	YEP5659()	1,358.	1,358.	1,824.	2,100.	3,570.
	For 30" D Dual Sided Big Table	65 1/2"	1 1/8"	56"	YEP5665()	1,380.	1,380.	1,883.	2,164.	3,681.

(YEP5659V shown)

Ordering Information

Enclave End Panels For Big Tables

1. Pattern Number
2. Surface Finish
3. Bracket Finish

Order Code

Enclave End Panels For Big Tables

Example: **YEP5653L, M, 118T**

YEP Enclave End Panel

56 Height

53 Width

L Laminate

M Markerboard

118T Bright White Paint

Included With

Enclave End Panels For Big Tables

Attachment brackets
Hardware

Options

Enclave End Panels For Big Tables

Finish Options:

(L) = Laminate
(V) = Veneer

Installation Gauge

The installation gauge is a tool used to help create accurate, consistent Antenna Workspaces installations. The tool can be used in four different ways while installing Antenna Workspaces desks or big tables. (See drawings below)

Application #1

The most common application for the installation gauge is for use when positioning the top over the rails. The V cutout in the installation gauge sits snug to the side of the rail, while the edge of the top tab aligns with the front edge of the desk top. The designed distance from the front edge of the top to the centerline of the rail is 6 5/8".

This side of the installation gauge can also be used to position the rails over pedestals and when connecting to Fence.

Application #2

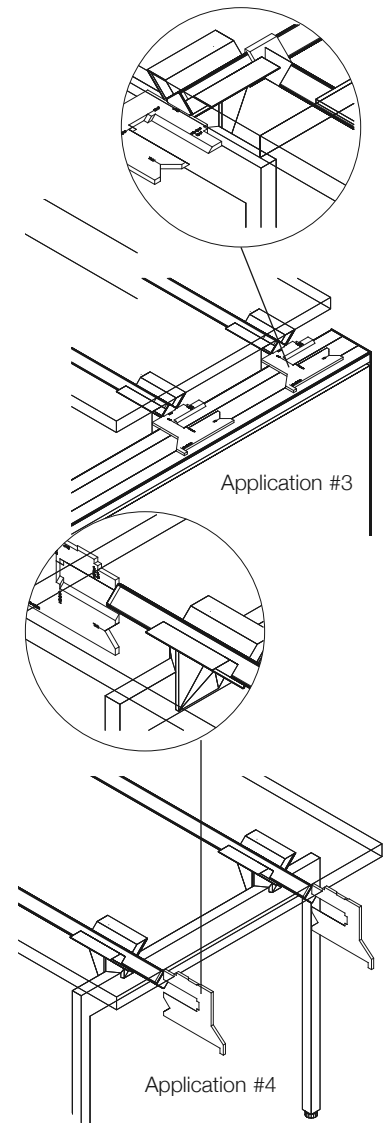
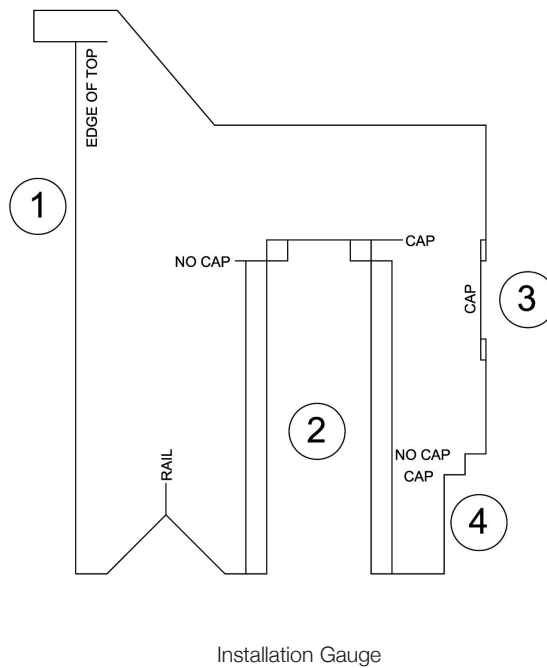
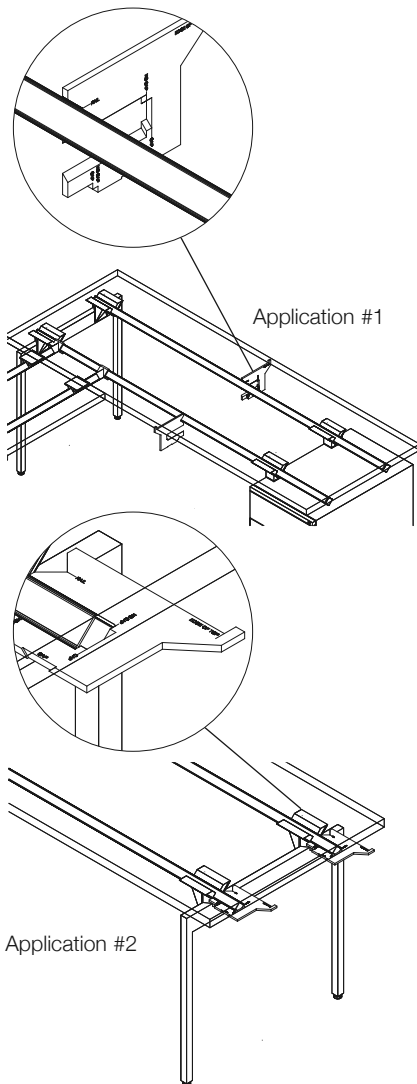
The installation gauge can also be used to position the desk end leg assemblies in the correction location in relation to the end of a rail. Desk end legs are designed to be inset 5 1/2" from the end of the desk top. In this application, the recessed part of the gauge sits up against the end of a rail (with or without the end cap) and the end of the gauge sits against the outside edge of the cradle. This can also be used for big table applications when extension tops or cabinets are not specified.

Application #3

The rail end cap is designed to sit proud of the cradle by approximately 1/16", so that the end of the rail and leg are 1 1/2" from the end of the top. The installation gauge is used to accurately space the outside of the rail end cap to the outside edge of the cradle. This must be used when the leg is placed 1 1/2" from the edge of the top, such as when a bridge or return is to be used to ensure the correct placement for the bridge or return rails.

Application #4

The installation gauge can also be used to correctly position the top over the width of the rails. This will ensure that you have the desired 1 1/2" distance between the end of the rail (with no end cap) and the end edge of the top.

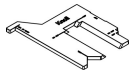


Desk and Table Support

Sales and Installation Tools

Installation Gauge

description	type	pattern no.	list
Installation Gauge	Package of 5	YBIG	\$24.



Ordering Information

Legs for Dual Big Tables
 1. Pattern Number

Order Code

Installation Gauge
Example: **YBIG**
YB Antenna
IG Installation Gauge

Included With

Options

Electrical Components for Antenna Desks and Big Tables

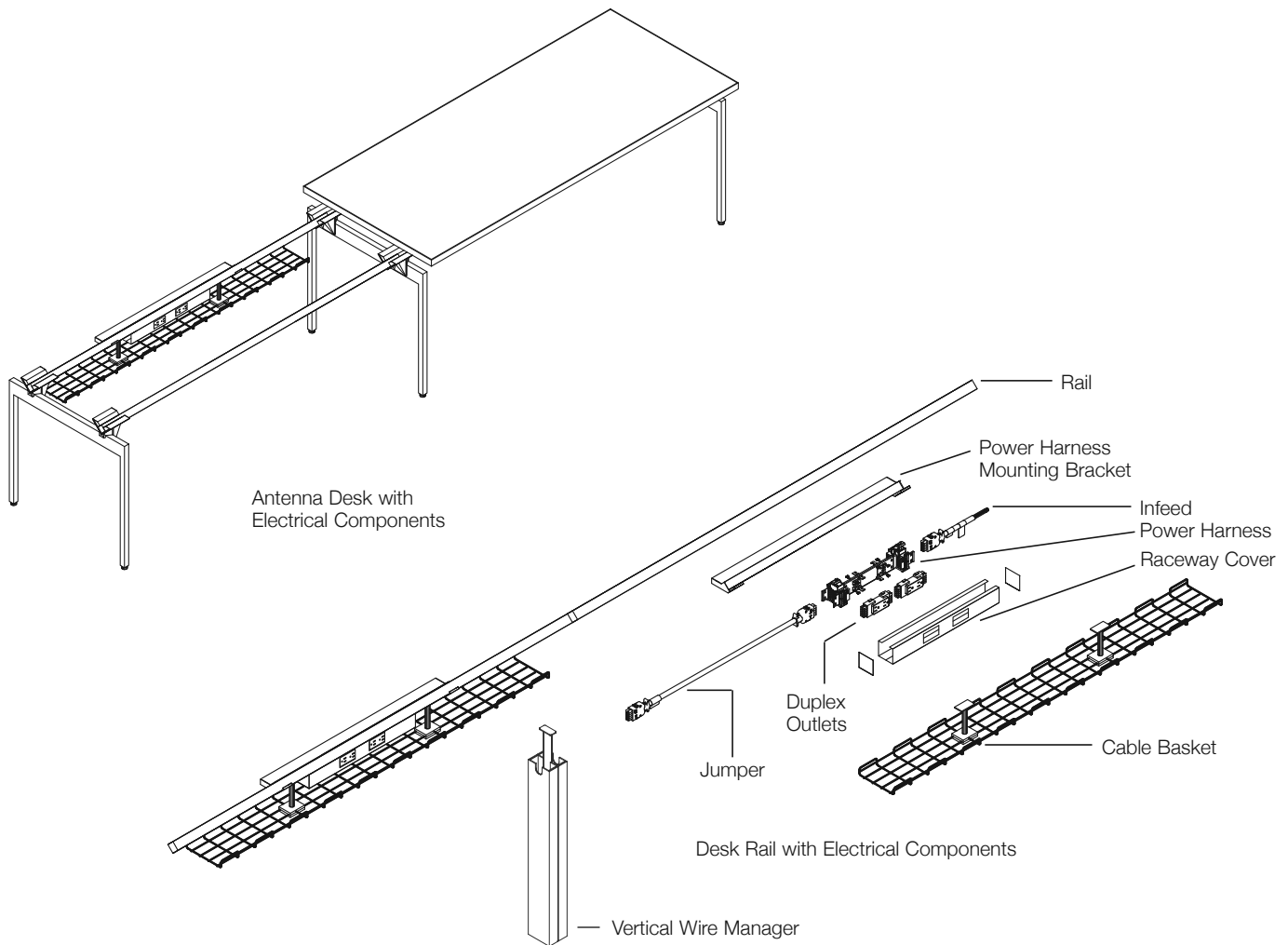
Antenna linked desks and big tables can be powered by a modular distribution system featuring standard Knoll 2+2 and 3+3 eight- and ten-wire power systems. From a single point of connection to the building power supply, Antenna raceway can distribute four or six 20-amp circuits. Depending on national and local electric codes, and the anticipated load of a particular application, each circuit may support as many as 10 or more duplex outlets.

The central component is the power harness, which can be mounted under desk rails or under the center beam of a big table, typically centered on a desk top width.

Under desks the harness is suspended from a power harness mounting bracket attached to either the front or back edge of a desk rail, typically 6" in from the back edge. Specify a power harness mounting bracket to match the width of harness and covers, or 12" wider to also attach cable baskets or data/communications outlet boxes. Under the big table, the harness can be suspended directly from the center beam.

The power harness accepts snap-in duplex outlets on each face, and is enclosed by steel raceway covers, specified separately. Each end of the harness has ports for two jumper cables, or a power infeed and a jumper cable. The power infeed connects power from a building junction box, and jumpers connect power from one harness to another, in either direction.

Power harnesses are available in two sizes: 12" wide, with two duplex outlet locations on each face, and 24" wide, with four outlet locations on each face. Duplex outlets must be specified separately to access one of the four or six circuits. Outlets for all circuits can be specified in black with white letters identifying circuits. Outlets for circuits X, Y, Z are also available in orange with black letters, or black with orange triangles and letters to designate protected circuits.



Corresponding raceway covers for 12" harness are 18" wide; covers for 24" harness are 30" wide. Raceway covers can be ordered in pairs that include two covers with openings or one cover without openings.

Jumper cables are available in various lengths up to 72" to link power between harnesses. To calculate the jumper width required to join between harnesses centered under the beam between big table tops, take the top width and subtract the harness width. Power harnesses planned next to each other, with immediately adjacent raceway covers, can be connected with the 7" jumper.

This enables big table tops to be served by more than four duplex outlets per position.

The same calculation is true for power harnesses under desks linked end to end: take the average of the two top widths and subtract the average of the harness widths. For desk to return power connections, take the average of the top and return widths, subtract the average of the harness widths, and add the depth of the primary top. Desk power jumper cables should be managed by cable clips for desk rails (YR1CC, set of 10).

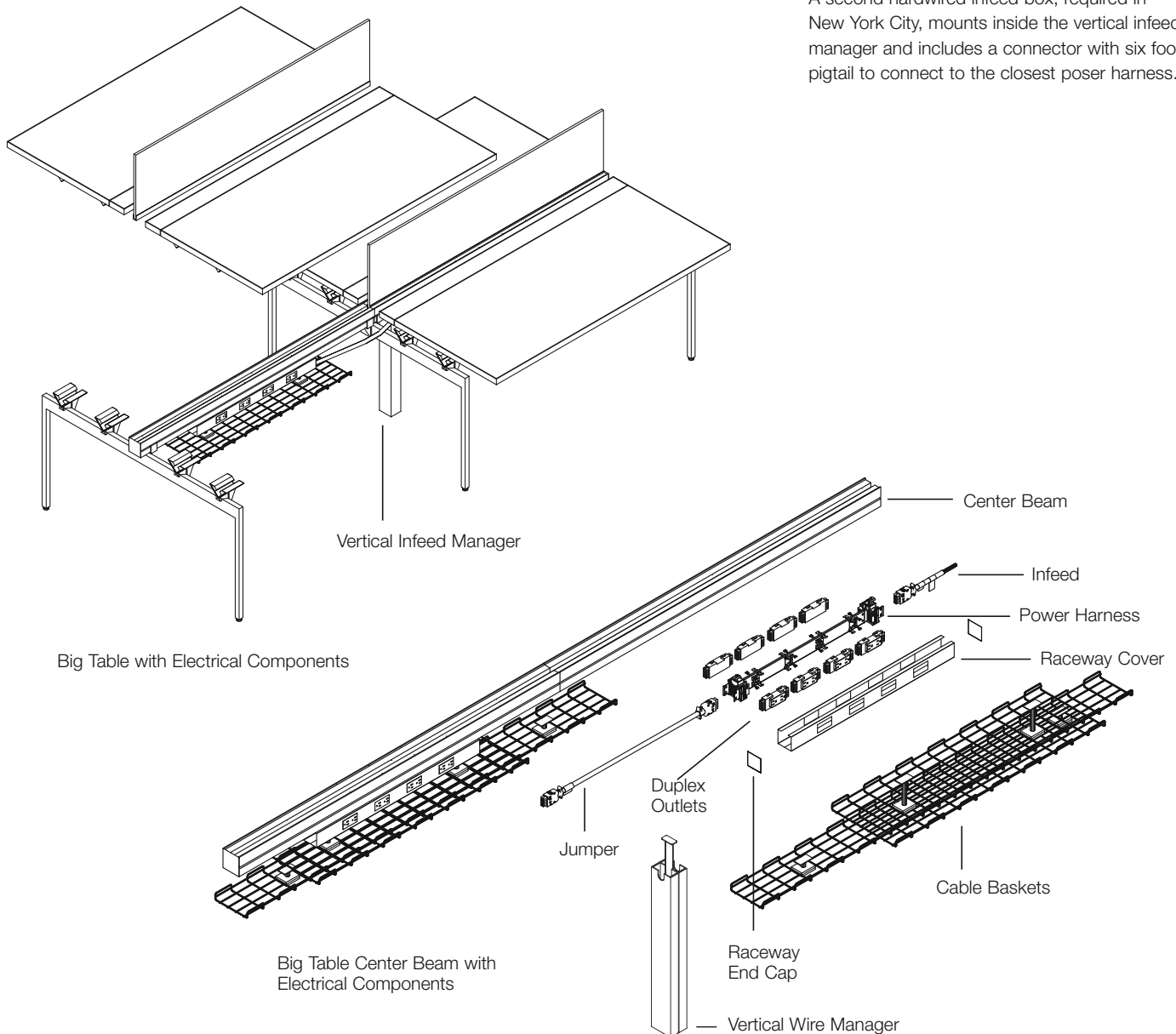
All tops including straight and 120 degree Antenna tops that are 48" wide or narrower only accept the 12" power harness.

To satisfy UL approval desks linked, power jumpers must be secured to each other by mechanical fasteners, such as a shared end leg, return connectors or top-to-top brackets.

Three types of power infeeds are available to connect the raceway from the building power supply. The modular infeed has a modular connector with a six foot pigtail to connect from a junction box in the floor or wall to a power harness.

A hardwired infeed box, required in New York City, mounts to a desk rail or Big Table center beam and includes a connector with six foot pigtail to connect to the closest power harness.

A second hardwired infeed box, required in New York City, mounts inside the vertical infeed manager and includes a connector with six foot pigtail to connect to the closest power harness.

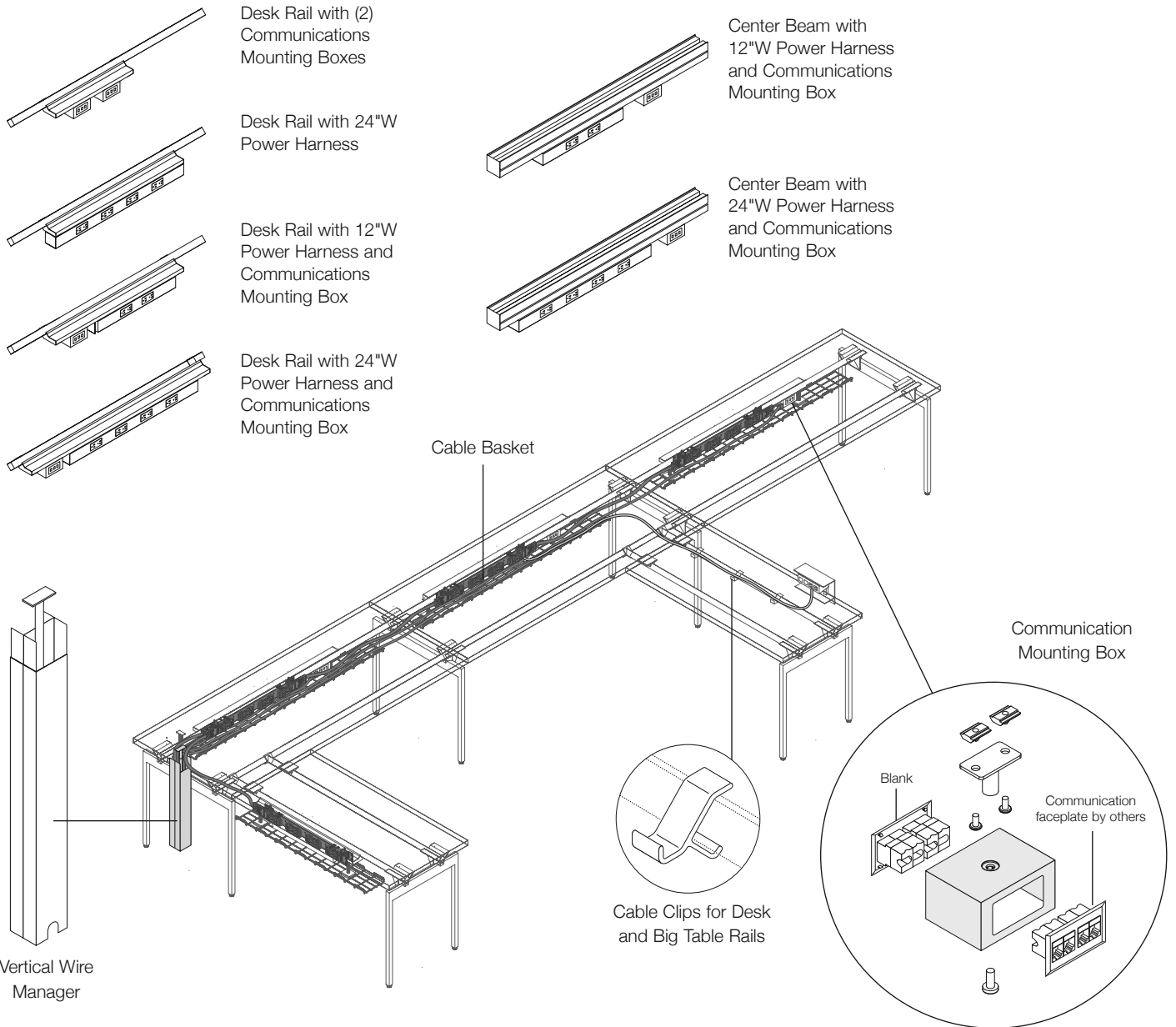


Data and communication faceplates are housed in a communication mounting box that is suspended from an extended power harness mounting bracket on either side of the power harness on a desk rail or the center beam of the big table.

The mounting box has industry standard decora-size opening, 2.66" wide by 1.36" high with 0.094" radii corners, for outlets facing the inside or outside of the desk, and an opening underneath for cable supply.

The PDC module extension kit is a set of ten collars that snap securely into an outlet opening in an Antenna communications mounting box or Fence outlets cover to project a new outlet mounting position 1/2" away from the face of the box or cover. This added depth can be crucial if communications connectors are unusually deep and are arrayed back to back in the mounting box or Fence. Interior space between back to back communications faceplates is 3" in mounting box, or 3 7/8" in Fence applications. Extension Kit accepts most standard, decora-size communications faceplates. PDC module extension kit is injection molded black plastic.

Outlet fillers are a kit of ten plastic filler plates that flex to snap securely into any unused outlet opening in Antenna raceway covers, communications mounting box, or Fence outlets cover. Installed covers are designed to closely mimic the appearance of adjacent power outlets. Fillers are black injection molded plastic.



2+2

Four 20-amp circuits, 8 wire configuration with four hots (12 gauge), two neutrals (10 gauge, 35A rated), two grounds.

Power harness and outlet modules: steel enclosure between molded polypropylene distribution blocks, 8-wire.

Jumper cables: flexible steel conduit with strain relief, 8-wire

Outlets: molded polycarbonate duplex preconfigured as circuit A, B (black), X, Y (black, orange or black with orange triangle)

Infeed: watertight conduit with 6' whip or hardwire box mounted to desk rail, center beam or fence frame, 8-wire

Load should be balanced evenly among power circuits. In accordance with NEC2011 Article 210, the permissible load should not exceed 80% of the circuit ampere rating (which is 16 amps on each 20 amp branch circuit).

3+3

Six 20-amp circuits, 10 wire configuration with six hots (12 gauge), two neutrals (10 gauge, 35A rated), two grounds.

Power harness and outlet modules: steel enclosure between molded polypropylene distribution blocks, 10-wire.

Jumper cables: flexible steel conduit with strain relief, 10-wire

Outlets: molded polycarbonate duplex preconfigured as circuit A, B, C (black), X, Y, Z (black, orange or black with orange triangle)

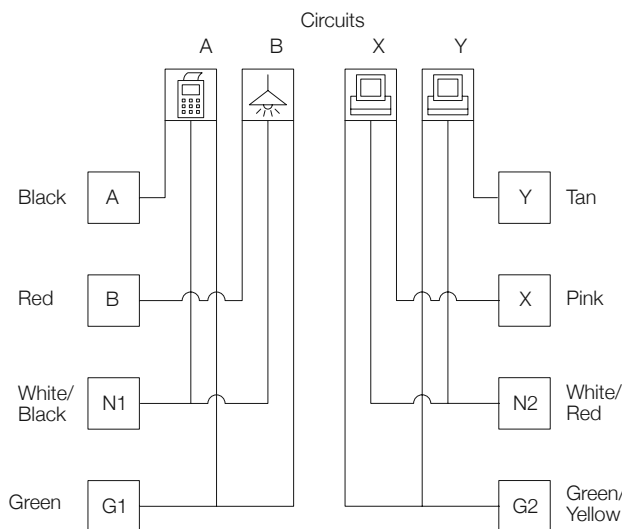
Infeed: watertight conduit with 6' whip or hardwire box mounted to desk rail, center beam or fence frame, 10-wire

Load should be balanced evenly among power circuits. In accordance with NEC2011 Article 210, the permissible load should not exceed 80% of the circuit ampere rating (which is 16 amps on each 20 amp branch circuit).

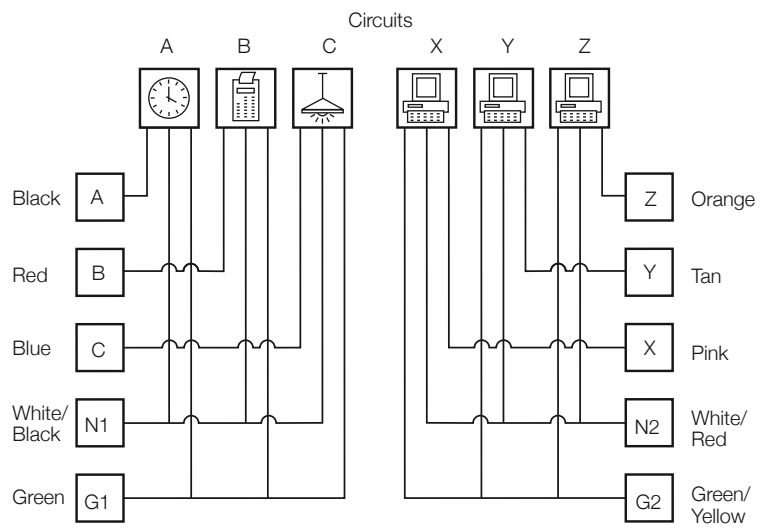
Antenna Workspaces is a listed product with U.L. in the QAWZ office furnishings category.

- File E76704 Volume 13, Section 1 (Furniture)
- File E76704 Volume 5, Section 5 (Electrical Accessories)

Wiring Diagram (2+2)

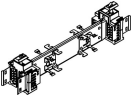

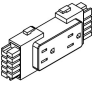


Wiring Diagram (3+3)



Electrical Components for Desks and Big Tables

2 + 2 and 3 + 3 Electrical Systems

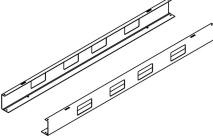
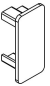
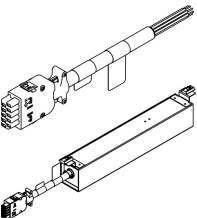
description	type	width	depth	height	pattern number	list
 Power Harnesses	2+2, (2) Duplex Outlets per Side	12"	2"	2"	YRPHE12	\$179.
	3+3, (2) Duplex Outlets per Side	12"	2"	2"	YRPHT12	204.
	2+2, (4) Duplex Outlets per Side	24"	2"	2"	YRPHE24	325.
	3+3, (4) Duplex Outlets per Side	24"	2"	2"	YRPHT24	391.
 Power Harness Mounting Brackets for Desks	For desk mounted 12" wide power harness	18"	3"	3/4"	YRPHA18	69.
	For desk mounted 24" wide power harness	30"	3"	3/4"	YRPHA30	91.
	For desk mounted 12" wide power harness and communications mounting box	30"	3"	3/4"	YRPHA30	91.
	For desk mounted 24" wide power harness and communications mounting box	42"	3"	3/4"	YRPHA42	115.
Communications Mounting Box	Below Desk or Big Table				YR1CMB	40.
 Duplex Receptacles	Circuit A, black	1 1/2"	1"	4 1/2"	YR1DA	41.
	Circuit B, black	1 1/2"	1"	4 1/2"	YR1DB	41.
	Circuit C, black	1 1/2"	1"	4 1/2"	YR1DC	41.
	Circuit X, black	1 1/2"	1"	4 1/2"	YR1DX	41.
	Circuit X, orange	1 1/2"	1"	4 1/2"	YR1DXO	41.
	Circuit X, black with orange triangle	1 1/2"	1"	4 1/2"	YR1DXT	41.
	Circuit Y, black	1 1/2"	1"	4 1/2"	YR1DY	41.
	Circuit Y, orange	1 1/2"	1"	4 1/2"	YR1DYO	41.
	Circuit Y, black with orange triangle	1 1/2"	1"	4 1/2"	YR1DYT	41.
	Circuit Z, black	1 1/2"	1"	4 1/2"	YR1DZ	41.
	Circuit Z, orange	1 1/2"	1"	4 1/2"	YR1DZO	41.
	Circuit Z, black with orange triangle	1 1/2"	1"	4 1/2"	YR1DZT	41.
	Outlet Fillers	Package of 10	1 1/4"	1/4"	2 1/2"	YROF

Power and Communications

Ordering Information	Order Code	Included With	Options
Electrical Components 1. Pattern Number	Electrical Components <i>Example:</i> YRPHT12 YRPHT Power Harness 12 Width	Power Harness Center Beam Attachment	Electrical Components
Mounting Brackets 1. Pattern Number 2. Paint Finish	Raceway Covers <i>Example:</i> YRC18D, 118T YRC Raceway Covers 18 Width	Mounting Brackets Attachment Hardware Communication Mounting Box Attachment Hardware	
Raceway Covers/End Caps 1. Pattern Number 2. Paint Finish			
Communication Mounting Box 1. Pattern Number 2. Paint Finish	D Outlets Both Sides 118T Bright White Paint		

Electrical Components for Desks and Big Tables

2 + 2 and 3 + 3 Electrical Systems

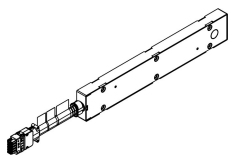
description	type	width	depth	height	pattern number	list
PDC Module Extension Kit	Package of 10				YR1PDCX	\$141.
Raceway Covers (pair) 	For 12" wide power harness, outlets both sides	18"	3"	3"	YRC18D	97.
	For 12" wide power harness, outlets one side	18"	3"	3"	YRC18S	97.
	For 24" wide power harness, outlets both sides	30"	3"	3"	YRC30D	115.
	For 24" wide power harness, outlets one side	30"	3"	3"	YRC30S	115.
Raceway End Cap	Package of 2	3/8"	3"	3"	YRCE	17.
Covers for Exposed End of Power Harness 	Package of 10	1"	1"	2"	YR1CP	183.
Infeeds 	2+2 Modular Base Infeed	85"	2 1/8"	2 3/8"	YR1EDPI	198.
	3+3 Modular Base Infeed	85"	2 1/8"	2 3/8"	YR1TDPI	229.
	2+2 Hardwire Infeed for New York City	85"	2 1/8"	2 3/8"	YR1EPNY	436.
	3+3 Hardwire Infeed for New York City	85"	2 1/8"	2 3/8"	YR1TPNY	459.

Ordering Information	Order Code	Included With	Options
Electrical Components 1. Pattern Number	Electrical Components <hr/> <i>Example:</i> YRPHT12 <hr/> YRPHT Power Harness <hr/> 12 Width <hr/> Raceway Covers <hr/> <i>Example:</i> YRC18D, 118T <hr/> YRC Raceway Covers <hr/> 18 Width <hr/> D Outlets Both Sides <hr/> 118T Bright White Paint <hr/>	Power Harness Center Beam Attachment Mounting Brackets Attachment Hardware Communication Mounting Box Attachment Hardware	Electrical Components
Mounting Brackets 1. Pattern Number 2. Paint Finish			
Raceway Covers/End Caps 1. Pattern Number 2. Paint Finish			
Communication Mounting Box 1. Pattern Number 2. Paint Finish			

Electrical Components for Desks and Big Tables

2 + 2 and 3 + 3 Electrical Systems

description	type	width	depth	height	pattern number	list
Vertical Infeeds	2+2 Hardwire Infeed for New York City Vertical Wire Manager	85"	1 1/8"	2 3/4"	YR1EVWMNY	\$615.
	3+3 Hardwire Infeed for New York City Vertical Wire Manager	85"	1 1/8"	2 3/4"	YR1TVWMNY	646.

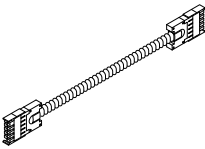
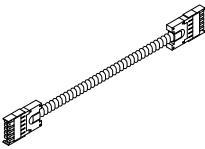


Power and Communications

Ordering Information	Order Code	Included With	Options
Electrical Components	Electrical Components	Power Harness	Electrical Components
1. Pattern Number	<i>Example:</i> YRPHT12	Center Beam Attachment	
Mounting Brackets	YRPHT Power Harness	Mounting Brackets	
1. Pattern Number	12 Width	Attachment Hardware	
2. Paint Finish	Raceway Covers	Communication Mounting Box	
Raceway Covers/End Caps	<i>Example:</i> YRC18D, 118T	Attachment Hardware	
1. Pattern Number	YRC Raceway Covers		
2. Paint Finish	18 Width		
Communication Mounting Box	D Outlets Both Sides		
1. Pattern Number	118T Bright White Paint		
2. Paint Finish			

Electrical Components for Desks and Big Tables

2 + 2 and 3 + 3 Electrical Systems

description	type	w	d	h	pattern no.	list	
 <p>Jumper Cable, 2+2</p>	For 12" between power harnesses	12"	1"	1"	YR1EJ12	\$104.	
	For 18" between power harnesses	18"	1"	1"	YR1EJ18	113.	
	For 24" between power harnesses	24"	1"	1"	YR1EJ24	119.	
	For 30" between power harnesses	30"	1"	1"	YR1EJ30	127.	
	For 36" between power harnesses	36"	1"	1"	YR1EJ36	134.	
	For 42" between power harnesses	42"	1"	1"	YR1EJ42	149.	
	For 48" between power harnesses	48"	1"	1"	YR1EJ48	155.	
	For 54" between power harnesses	54"	1"	1"	YR1EJ54	161.	
	For 60" between power harnesses	60"	1"	1"	YR1EJ60	171.	
	For 66" between power harnesses	66"	1"	1"	YR1EJ66	179.	
	For 72" between power harnesses	72"	1"	1"	YR1EJ72	187.	
 <p>Jumper Cable, 3+3</p>	For adjacent power harnesses	07"	1"	1"	YR1TJ7	178.	
	For 12" between power harnesses	12"	1"	1"	YR1TJ12	134.	
	For 18" between power harnesses	18"	1"	1"	YR1TJ18	147.	
	For 24" between power harnesses	24"	1"	1"	YR1TJ24	155.	
	For 30" between power harnesses	30"	1"	1"	YR1TJ30	164.	
	For 36" between power harnesses	36"	1"	1"	YR1TJ36	175.	
	For 42" between power harnesses	42"	1"	1"	YR1TJ42	193.	
	For 48" between power harnesses	48"	1"	1"	YR1TJ48	202.	
	For 54" between power harnesses	54"	1"	1"	YR1TJ54	209.	
	For 60" between power harnesses	60"	1"	1"	YR1TJ60	222.	
	For 66" between power harnesses	66"	1"	1"	YR1TJ66	233.	
		For 72" between power harnesses	72"	1"	1"	YR1TJ72	243.

Ordering Information	Order Code	Included With	Options
Electrical Components 1. Pattern Number	Electrical Components <i>Example:</i> YRPHT12	Power Harness Center Beam Attachment	Electrical Components
Mounting Brackets 1. Pattern Number 2. Paint Finish	YRPHT Power Harness 12 Width	Mounting Brackets Attachment Hardware	
Raceway Covers/End Caps 1. Pattern Number 2. Paint Finish	Raceway Covers <i>Example:</i> YRC18D, 118T YRC Raceway Covers 18 Width	Communication Mounting Box Attachment Hardware	
Communication Mounting Box 1. Pattern Number 2. Paint Finish	D Outlets Both Sides 118T Bright White Paint		

Surface Mounted Plugmold Raceway

Planning Guidelines and Specifications

Plugmold raceway for Antenna Workspaces is a hardwired raceway solution for linked desk and big table planning applications.

Plugmold houses six simplex outlets on one face and is available in either one circuit (3-wire) or two circuit (4-wire) configurations. Plugmold with one circuit may be appropriate for one or two linked desks; Plugmold with two circuits is appropriate for multiple desks or Big Table applications.

Plugmold is a two part channel, including an extruded aluminum back that screws to a mounting bracket that is suspended from a center beam or power harness mounting

bracket. The snap on face cover has an anodized aluminum finish with cutouts to accommodate eight simplex outlets. The plugmold raceway is 36" wide, 1 1/2" high and 1 1/8" deep. It includes blank ends and ends with fittings to link power to additional raceways or building power supply.

The mounting bracket is 36 1/2" wide U-shape folded steel that attaches to the underside of a big table center beam or power harness mounting bracket to support Plugmold on one or both faces. The hollow inside bracket conceals sheet metal screw fasteners for Plugmold on either side.

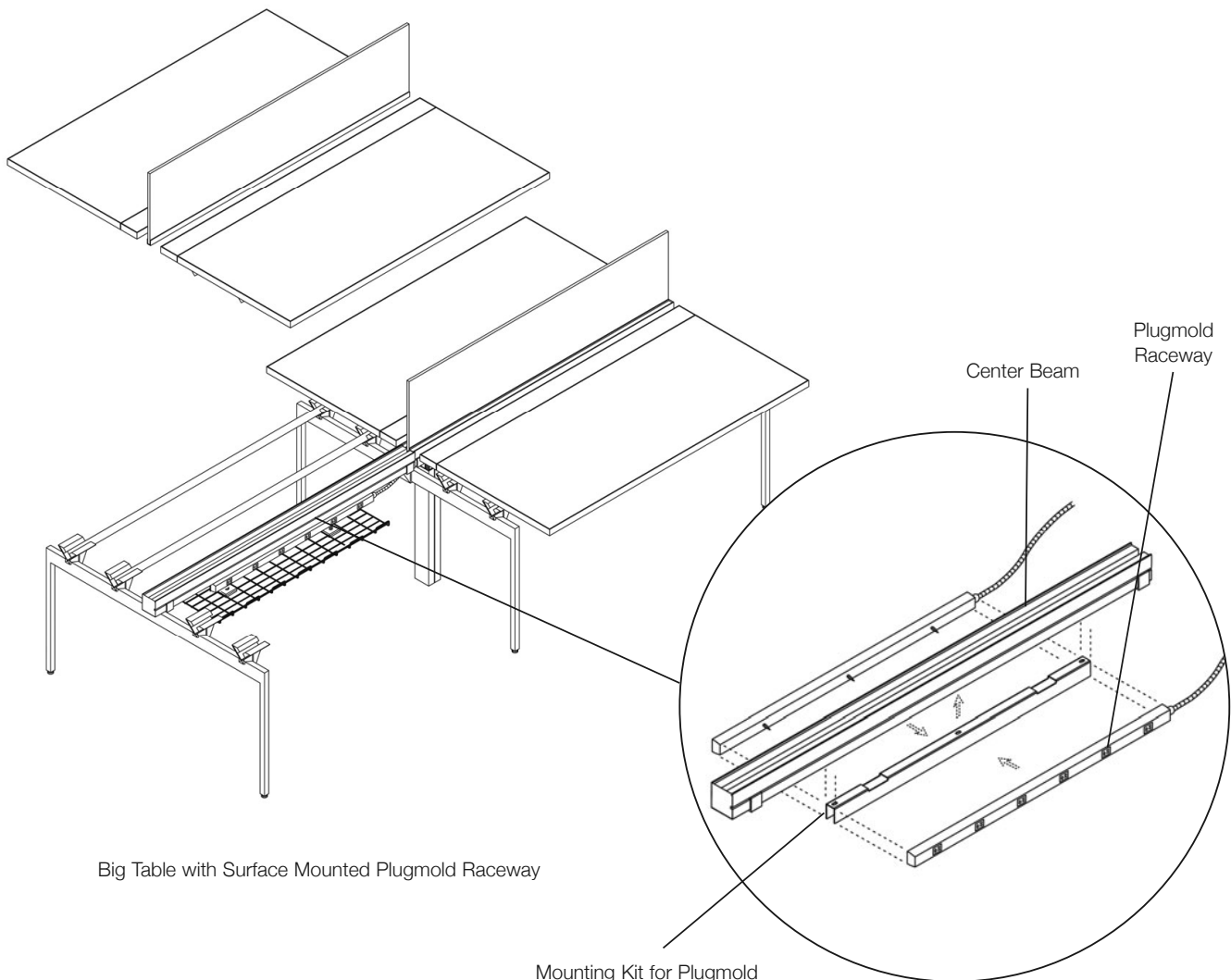
Plugmold raceway is a UL-listed surface mounted Wiremold 2000 raceway and when installed and configured by a licensed electrician it meets the requirements for City of Chicago.

Construction

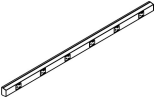
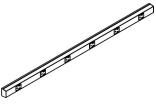
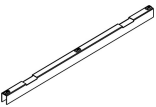
Plugmold raceway is extruded aluminum back plate and cover, steel end covers and extruded aluminum cable exits. Mounting bracket is painted steel.

Specification Options

Plugmold raceways have a clear anodized aluminum finish. Mounting brackets are painted in any Core paint finish.



Surface Mounted Plugmold Raceway For Desks and Big Tables

description	type	w	d	h	pattern no.	list
Plugmold, Single Circuit 	3-Wire, Grey Outlets	36"	1 1/8"	1 1/2"	YRPM361	\$696.
Plugmold, Two Circuit 	4-Wire, Grey Outlets	36"	1 1/8"	1 1/2"	YRPM362	819.
Mounting Kit for Plugmold 	For Desks and Big Tables				YRPMK	123.

Ordering Information	Order Code	Included With	Options
Electrical Components	Plugmold	Plug Mold	Electrical Components
1. Pattern Number	<i>Example: YRPM361</i> YR Electrical Component PM Plug Mold 38 Width 1 Single Circuit	Mounting Kit Attachment brackets Hardware	
	Mounting Kit <i>Example: YRPMK</i> YR Electrical Component PM Plug Mold K Kit		

Desktop Outlet Center

Planning Guidelines and Specifications

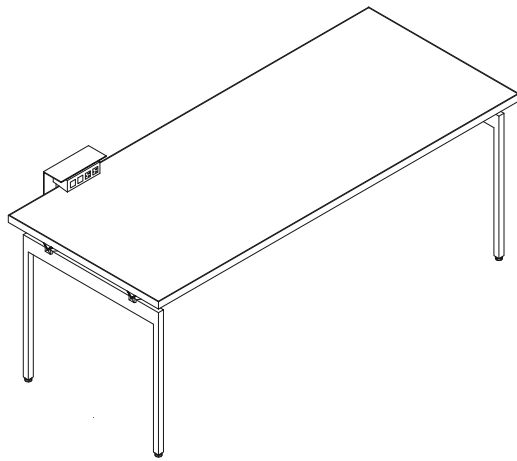
The Antenna Desktop Power Center combines desktop outlets for power data and communications in any Antenna plan and is the ideal solution for independent desks.

The desk mount bracket conceals cables behind and below the desk and incorporates a shelf for small electronics above.

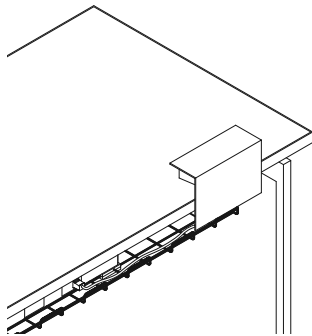
Desktop Power Center is available with four simplex outlet positions (two power and two datacom) or (three power and one 2-port USB) or six outlets (three and three, or two power and four datacom). The hardwired outlet module comes with outlets and is wired with conduit and pigtail ready to hardwire directly into a junction box. The hardwire desktop outlet center is UL listed and meets the requirements of the City of Chicago if installed by a licensed electrician.

Desktop Power Center is powered by a 6' or 10' cordset that can connect to an Antenna raceway outlet or directly to a building outlet, or may be hardwired to building power junction box.

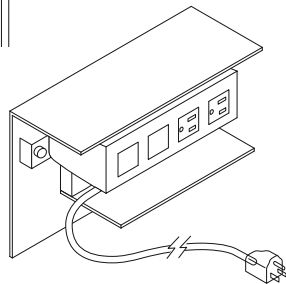
Power center includes adapters for various common communication outlets by others. Rectangular opening in base of power center enables cables to supply outlets from cable tray or cable clips under desktop.



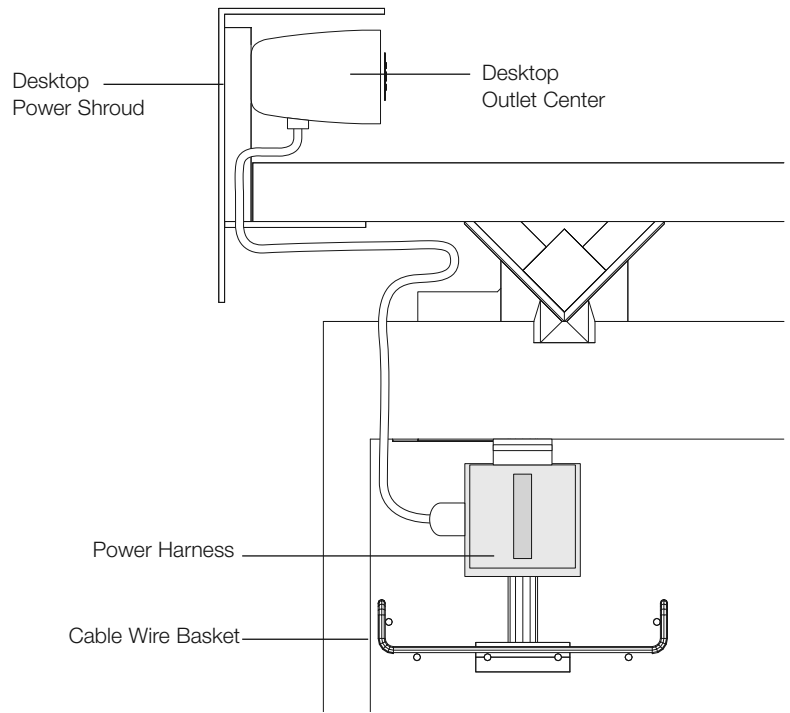
Antenna Desk with Desktop Outlet Center with Power Shroud



Desktop Outlet Center with Power Shroud Back Detail



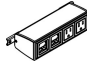
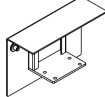
Desktop Outlet Center with Power Shroud



Desktop Outlet Center with Power Shroud Elevation Detail

Desktop Outlet Center

Four or Six Positions

description	type	w	d	h	pattern no.	list
 Desktop Outlet Center	4 Positions (1, 2-port USB and 3 Power), 10' Cordset	6 1/2"	2 1/2"	2"	YR1DOC4U3C10N	\$657.
	4 Positions (1, 2-port USB and 3 Power), 6' Cordset	6 1/2"	2 1/2"	2"	YR1DOC4U3C6N	625.
	4 Positions (1, 2-port USB and 3 Power), 6' Hardwire	6 1/2"	2 1/2"	2"	YR1DOC4U3H6N	675.
	4 Positions (2 Data and 2 Power), 10' Cordset	6 1/2"	2 1/2"	2"	YR1DOC422C10N	483.
	4 Positions (2 Data and 2 Power), 6' Cordset	6 1/2"	2 1/2"	2"	YR1DOC422C6N	448.
	4 Positions (2 Data and 2 Power), 6' Hardwire	6 1/2"	2 1/2"	2"	YR1DOC422H6N	493.
	6 Positions (3 Data and 3 Power), 10' Cordset	9 1/2"	2 1/2"	2"	YR1DOC633C10N	603.
	6 Positions (3 Data and 3 Power), 6' Cordset	9 1/2"	2 1/2"	2"	YR1DOC633C6N	569.
	6 Positions (3 Data and 3 Power), 6' Hardwire	9 1/2"	2 1/2"	2"	YR1DOC633H6N	614.
	6 Positions (4 Data and 2 Power), 10' Cordset	9 1/2"	2 1/2"	2"	YR1DOC642C10N	579.
	6 Positions (4 Data and 2 Power), 6' Cordset	9 1/2"	2 1/2"	2"	YR1DOC642C6N	544.
	6 Positions (4 Data and 2 Power), 6' Hardwire	9 1/2"	2 1/2"	2"	YR1DOC642H6N	590.
	 Desk Mount Outlet Center Shroud	For 4 Position Desktop Outlet Center	8"	3"	6"	YR1DM4
For 6 Position Desktop Outlet Center		11"	3"	6"	YR1DM6	230.

Ordering Information	Order Code	Included With	Options
Desktop Outlet Center	Desktop Outlet Center	Desktop Outlet Center	Desktop Outlet Center
1. Pattern Number	<i>Example:</i> YR1DOC422C10N	Desk Mount Shroud	Desk Mount Shroud
Desk Mount Shroud	YR1DOC Desktop Outlet Center	Attachment Hardware	
1. Pattern Number	4 Positions		
2. Paint Finish	2 Data		
	2 Power		
	C10 10' Cordset		
	N No finish		
	Desk Mount Shroud		
	<i>Example:</i> YR1DM4, 118T		
	YR1DM Desk Shroud		
	4 Positions		
	118T Bright White Paint		

Cable Management

Cable Clips and Vertical Wire Manager

Planning Guidelines and Specifications

Cable Clips for Desk and Big Table Rails

Cable management is available for directly under the top of a desk or big table by using a molded plastic clip that snaps onto a rail. This clip provides management for one or two cables to keep them from hanging below the top. Cable clips for rails are useful for managing power cords for electronic devices.

Cable Clips for Big Table Center Beam

Cable clips for Big Table center beam snap into underside of the beam to manage power cables or small bundles of communications cables. Cable clips for center beam could be useful for managing a jumper cable "passing through" a big table position without a power harness.

Cable Clips for Fence

Cable Clips for Fence snap into the face of studs in the Fence frame to manage small bundles of cables in the unobstructed 1" wide x 6 1/2" high lay-in cabling space

between studs and the inside surface of Fence covers. Four cable clips, each holding up to 14 communications cables, snap into predrilled mounting locations between Fence cover mounting brackets at each of the four cover locations on the frame. As studs are located every 12" along the length of a run of Fence frames, a typical spec might include 40 clips per frame (8 clips per foot) for maximum wire management at the lower 9" level. An integral living hinge detail enables a locking feature to hold cables within the rectangular clips.

Vertical Wire Manager

For desks and big tables, cables can be managed from the floor up to the cable basket by a vertical wire manager. The H-shape internal frame is suspended from the desktop or adapter bracket, and provides lay-in channels separating power from data communication cables. U-shape side covers

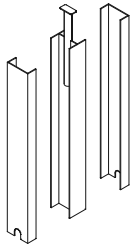
snap onto the frame to manage and conceal cables. Side covers have a "mousehole" shape cutout that can be positioned at the floor level to ease the bend radius of cables entering the bottom of the vertical wire manager.

Construction

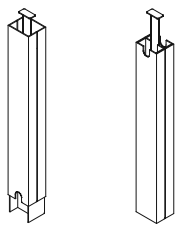
Cable clips are injection molded plastic. Vertical wire manager frames and covers are formed steel.

Specification Options

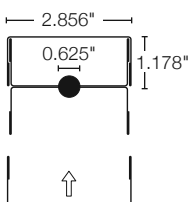
Cable clips for big table center beam and rails are grey. Cable clips for Fence are black. Vertical wire managers may be specified in any Core paint finish.



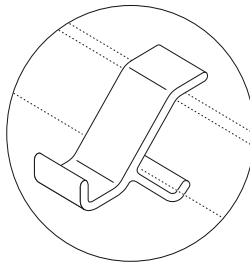
Vertical Wire Manager
Exploded Detail



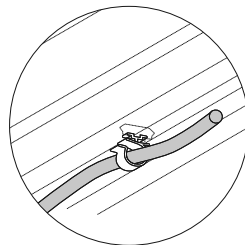
Vertical Wire Manager
Assembly Options



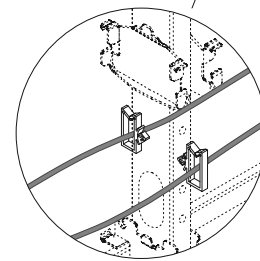
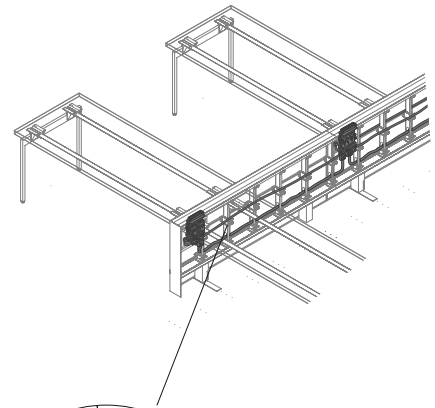
Plan View of Vertical Wire Manager



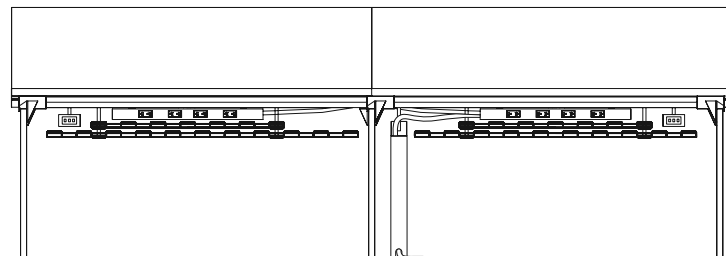
Cable Clips for Desk
and Big Table Rails



Cable Clip for Big
Table Center Beam



Cable Clips for Fence Wall Studs



Big Table with Vertical Wire Manager Elevation

Cable Management

Cable Baskets

Planning Guidelines and Specifications

Cable Baskets

Cable baskets are available to manage both excess power cords under power harnesses, and for data/communications cable distribution.

For desks, a single upper cable basket that is 69" wide, 6" deep and 1" high can be specified for attachment to the power harness mounting bracket located at the back of a desk top. Specify mounting bracket 12" wider than the power harness, so there is room to attach cable basket hangers to mounting bracket. Baskets can be trimmed in length to fit between desk

legs or between desk legs and storage.

For big tables, upper and lower cable baskets are available. A 12" deep, 1" high upper cable basket manages power cords directly below the power harness. Upper cable baskets are available in a 27" width that corresponds to the 12" wide harness, a 39" width for the 24" wide harness, and 69" wide by either 6" or 12" deep. For standing height big table, a 69" x 6" basket is available with 7" deep mounting brackets to clear leg braces. Lower cable baskets 69" long and either 6" or 12" deep manage data/

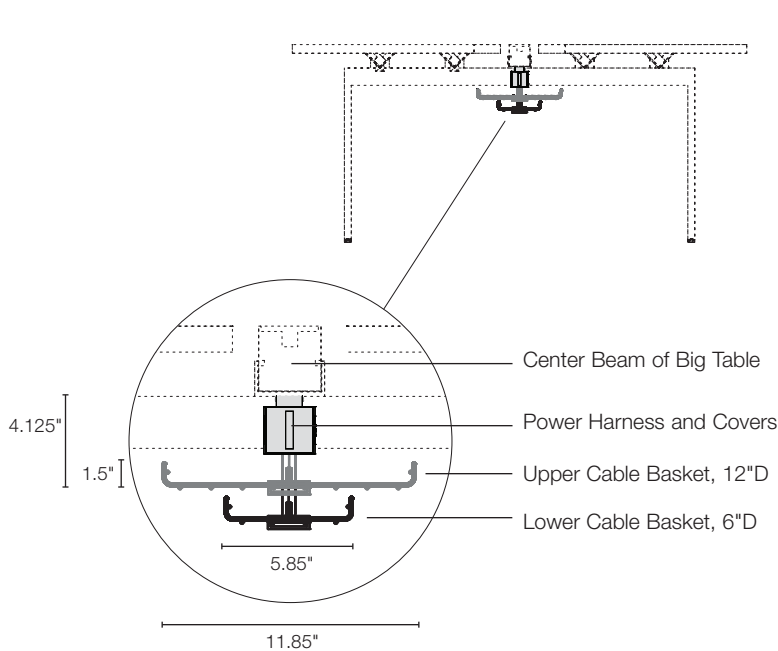
communications distribution for the width of the big table. Cable baskets and mounting hardware can also be specified separately. Cable baskets can be trimmed to the appropriate length onsite.

Construction

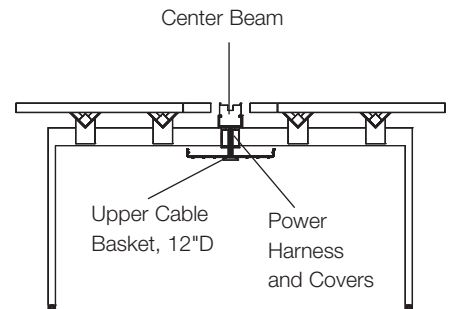
Cable baskets are painted wire.

Specification Options

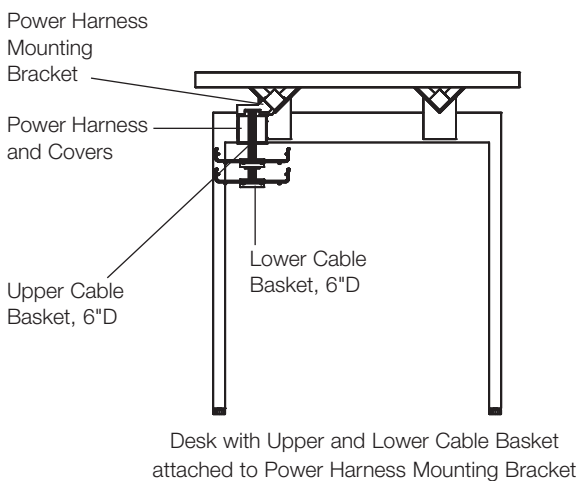
Cable baskets are painted medium grey.



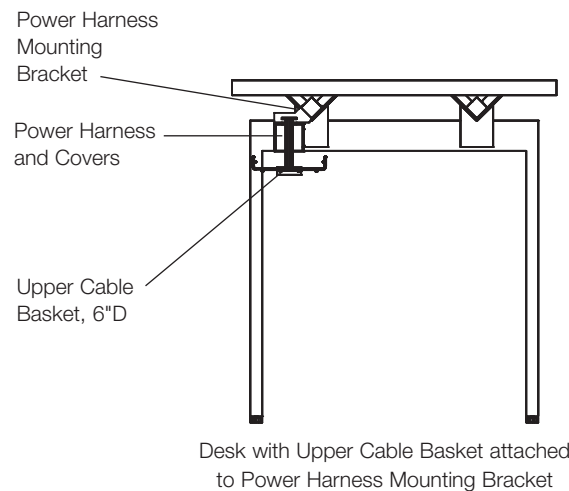
Big Table with Cable Baskets End Elevation Detail



Big Table with Upper Cable Basket Attached to Center Beam



Desk with Upper and Lower Cable Basket attached to Power Harness Mounting Bracket



Desk with Upper Cable Basket attached to Power Harness Mounting Bracket

Cable Management

Cable Basket Attachment Kits

Planning Guidelines and Specifications

Lower Cable Basket Mount Kit

Lower cable basket mount kits can be used to attach a cable basket underneath another cable basket. This may be necessary when a cable basket is cut in half or when converting an upper cable basket into a lower cable basket. The mounting kit provides two brackets with hardware that can be used with any depth cable basket.

Cable Basket Extension Kit

Cable basket extension kits can be used to increase the space above or between baskets by 1 3/4". The extension kit can be specified in combination with either upper level or lower level cable baskets. Standard upper level basket hangers are 4" high, lower level baskets are suspended 1 3/8".

Cable Basket Extra Mount Kit

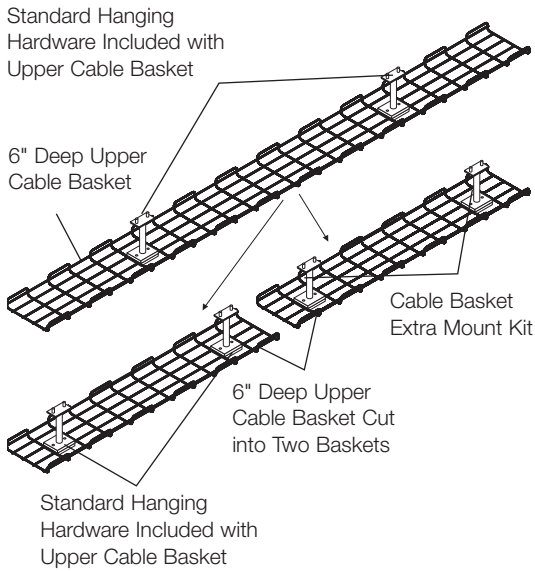
When a single cable basket is cut into two smaller baskets, a cable basket extra mount kit should be specified. This mounting kit provides the additional hardware necessary for both baskets to be attached to either the center beam or the power harness mounting bracket. Extra mount kit is available in 4" length for desk height and 7" length for standing height applications.

Construction

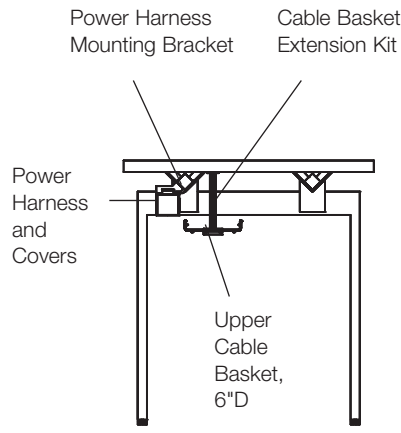
Cable basket attachment kits are painted steel.

Specification Options

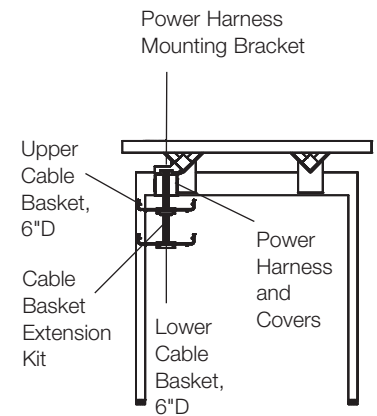
Cable basket attachment kits are painted medium grey.



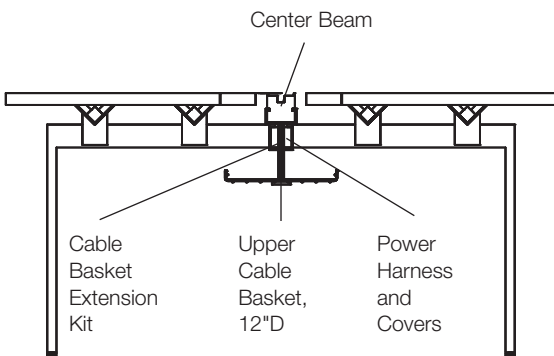
Cable Basket Extra Mount Kit Application



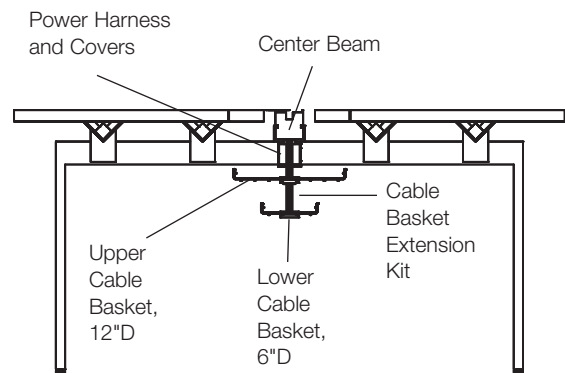
Desk with Upper Cable Basket attached to Top with Cable Basket Extension Kit



Desk with Upper and Lower Cable Baskets attached to Power Harness Mounting Bracket with Cable Basket Extension kit for 3" between baskets



Big Table with Upper Cable Basket attached to Center Beam with Cable Basket Extension Kit




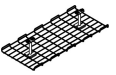
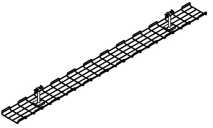
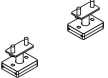


Big Table with Upper and Lower Cable Baskets attached to Center Beam with Cable Basket Extension Kit

Cable Management

For Desks and Big Tables

Cable Clips, Cable Baskets and Vertical Infeed/Wire Manager

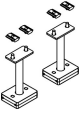
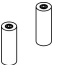

description	type	w	d	h	pattern no.	list
Cable Clips for Desk and Big Table Rails 	Package of 10	3/4"	1 1/2"	1"	YR1CC	\$58.
Cable Clips for Big Table Center Beam 	Package of 50				YR1BCC50	271.
Cable Clips for Wall Studs 	Package of 100	1/4"	1/2"	1 1/2"	YR1PCC100	84.
Upper Cable Baskets (12" D Shown) 	27" x 12" with 4"H mount	27"	12"	1"	YR1CB2712B	131.
	39" x 12" with 4"H mount	39"	12"	1"	YR1CB3912B	155.
	69" x 12" with 4"H mount	69"	12"	1"	YR1CB6912B	235.
	69" x 6" with 4"H mount	69"	6"	1"	YR1CB6906B	160.
Upper Cable Baskets for standing height table	69" x 6" with 7"H mount	69"	6"	1"	YR1CB6906S	207.
Lower Cable Baskets (6" D Shown) 	Attaches Below Upper Cable Basket	69"	6"	1"	YR1CB6906H	144.
	Attaches Below Upper Cable Basket	69"	12"	1"	YR1CB6912H	217.
Basket without mount	Specify mounting hardware separately	69"	6"	1"	YR1CB6906N	92.
Lower Cable Basket Mount Kit 	Used to Attach Lower Cable Basket to Upper Cable Basket			1 3/8"	YR1CBH	52.

Ordering Information	Order Code	Included With	Options
Cable Clips	Cable Clips	Cable Clips	Cable Clips
1. Pattern Number	<i>Example:</i> YR1CC	Cable Basket	Cable Basket
Cable Basket	YR1CC Cable Clips	Attachment Hardware	Vertical Infeed/Wire Manager
1. Pattern Number	Vertical Infeed/Wire Manager	Cable Basket Extension Mount Kit	
Vertical Infeed/Wire Manager	<i>Example:</i> YR1VWM, 323	Attachment Hardware	
1. Pattern Number	YR1VWM Vertical Infeed/Wire Manager	Cable Basket Extra Mount Kit	
2. Paint Finish	118T Bright White Paint	Attachment Hardware Plates	
		Vertical Infeed/Wire Manager	
		Attachment Hardware	

Cable Management

For Desks and Big Tables

Cable Clips, Cable Baskets and Vertical Infeed/Wire Manager

description	type	w	d	h	pattern no.	list
Cable Basket Extra Mount Kit 	For desk height			4"	YR1CBB4	\$69.
	For standing height			7"	YR1CBB7	112.
Cable Basket Extension Kit 	Used to Extend Hang of Cable Basket			1 3/4"	YR1CBX2	18.
Vertical Infeed/Wire Manager 	For desks or desk height table	3"	2 1/2"	23"	YR1VWM323	382.
	For standing height table 36"h	3"	2 1/2"	31"	YR1VWM330	515.
	For standing height table 42"h	3"	2 1/2"	37"	YR1VWM336	515.
Beam Cable Manager (set of 10)	Attaches to edge of center beam	1 1/8"	1 1/4"	2 1/2"	YR1BCM10	69.

Ordering Information	Order Code	Included With	Options
Cable Clips	Cable Clips	Cable Clips	Cable Clips
1. Pattern Number	<i>Example:</i> YR1CC	Cable Basket	Cable Basket
Cable Basket	YR1CC Cable Clips	Attachment Hardware	Vertical Infeed/Wire Manager
1. Pattern Number	Vertical Infeed/Wire Manager	Cable Basket Extension Mount Kit	
Vertical Infeed/Wire Manager	<i>Example:</i> YR1VWM, 323	Attachment Hardware	
1. Pattern Number	YR1VWM Vertical Infeed/Wire Manager	Cable Basket Extra Mount Kit	
2. Paint Finish	118T Bright White Paint	Attachment Hardware Plates	
		Vertical Infeed/Wire Manager	
		Attachment Hardware	

Fence Planning Guidelines

Fence is an independent 5" thick service wall intended to define the center of a cluster or the perimeter of a team space. Fence distributes and manages power, data and communications for a group of workspaces through the use of convenient outlets, accessible cable trays and slatwall. The unique Fence crown supports the end of a desk, screens and storage cabinets on stanchions in the center.

Fence can be specified at either 25" or 28 1/2" high. The 25" horizon aligns with the top of Antenna desk legs, enabling desk support rails to extend above the Fence crown top cap. The 28 1/2" horizon aligns with the top of a standard desk height top. The crown top cap corresponds in thickness and edge radius to an Antenna desk top.

Full or segmented covers to enclose the Fence structure are available with a painted, laminate or veneer surface. Full covers conceal the entire Fence structure, ending at the underside of the

crown. Segmented Fence covers are available as 9" high upper covers and 14" or 17" high lower covers. Fence covers are available in 12" width increments up to 72" and may span across straight frame-to-frame connections.

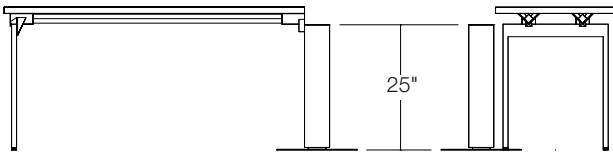
Fence can be configured in freestanding straight runs in any combination of 4', 5', or 6' widths, or in L, T, X, V or 120-degree Y connections.

Modular power systems available for Fence connect to the building at any point under the base and distribute either Knoll 2+2 or 3+3 electrical components up to six circuits from a single infeed. The unique profile of the frame and covers enables hundreds of cables to be "laid in" across multiple frames.

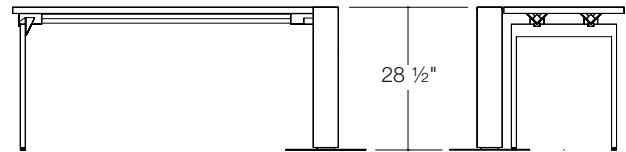
Screens for Fence are available in heights that create a horizon of 42" for seated visual access or 49" for seated visual privacy attaching to either 25" or 28 1/2" high Fence. Stanchion Mounted cabinets are able to attach to Fence using stanchion brackets, creating a 49" high horizon.

A Fence configuration consists of frames, legs, stabilizer feet, crown top caps, end covers, connectors, covers and power components. The recommended planning sequence is:

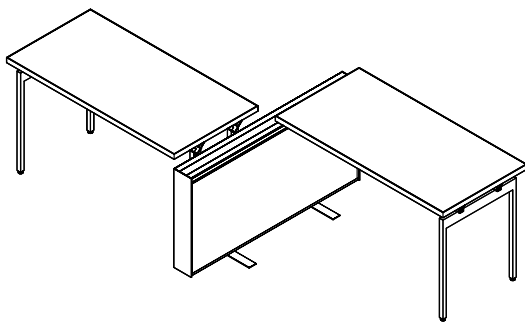
1. Determine the overall length and height of Fence frames and add legs/stabilizer feet where required (see stability guidelines).
2. Specify crown top caps to trim the top of the frame, flat ends for the ends of the frame and connectors for frame-to-frame connections.
3. Position outlet covers, cable tray and slatwall in desired location.
4. Fill in remaining frame openings with upper, lower and/or full covers.
5. Complete power specifications with outlet modules, duplex receptacles, infeeds and jumper cables.



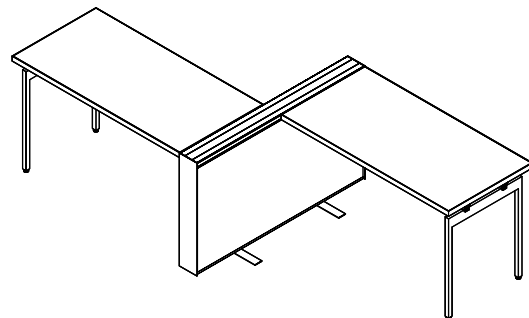
25"H Fence Elevations



28 1/2"H Fence Elevations



25"H Fence



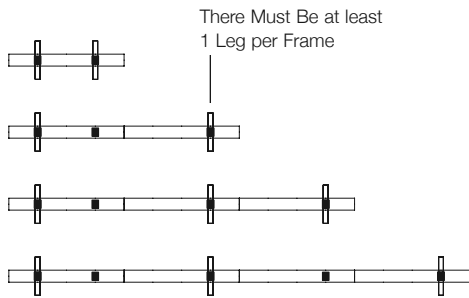
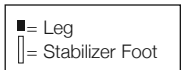
28 1/2"H Fence

Fence Stability Guidelines

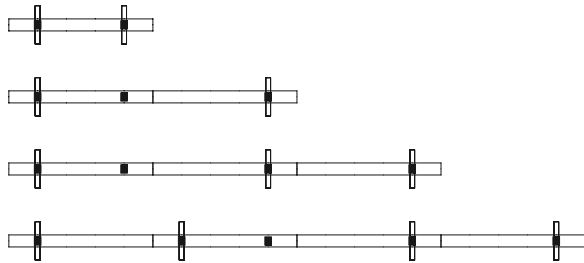
Fence can be planned in straight runs or connected in L, T, X, V or Y configurations. Legs are required 1' from any connector and a stabilizer foot should also be added 8' or less from an L, T or V connector. Two Fence legs are recommended for each frame when a desk

end support or upmounted storage cabinet application is planned. In addition to legs, a stabilizer foot should be added at each end and every 8' along a straight run. If storage or desk supports are not planned, Fence legs are required at each end of straight runs and every 4' or 5' with at least one per Fence frame.

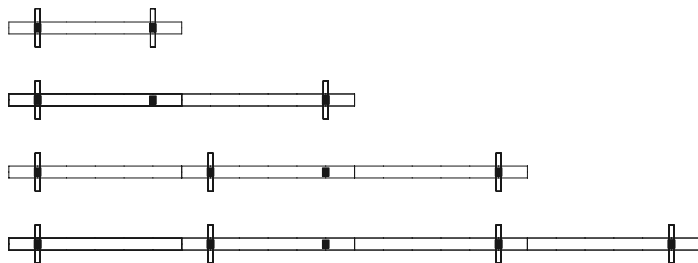
When supporting overhead storage, fence must be stabilized by attachment to an adjacent desk.



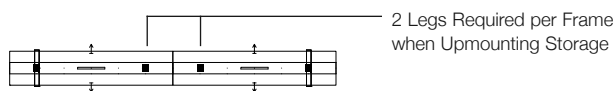
Straight Run Configurations using 48"W Frames



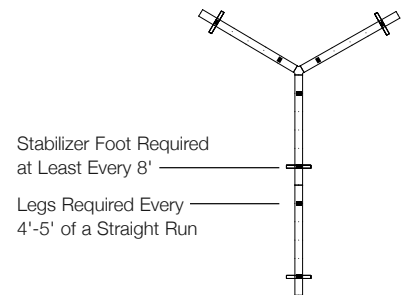
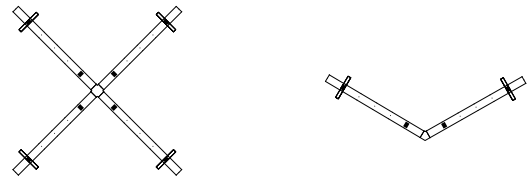
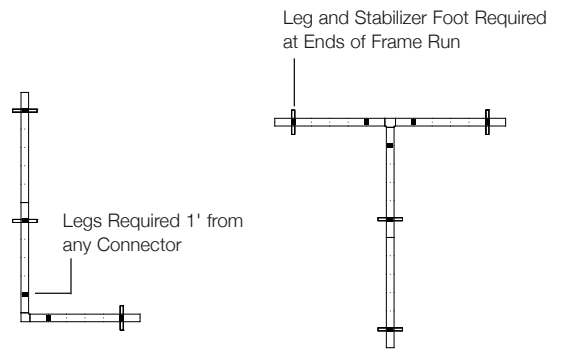
Straight Run Configurations using 60"W Frames



Straight Run Configurations using 72"W Frames



Straight 12' Run with Upmounted Storage



Fence Structure

Fence frames are the base structure of a Fence application. Frames are designed with 1" x 2" vertical studs every 12". Half-width vertical studs at each end are welded to a 1" high horizontal crown and bottom channel that are the full width of the frame. Frames are 21" high and available in 4', 5' and 6' widths. Frames include one set of connectors to join to the next frame in a straight line. The top of the frame crown has features that enable desk support brackets to attach to either side of the Fence frame, as well as screen and storage stanchions in the center of the crown.

The bottom channel of the frame has ports to enable vertical cable feeds between studs. Studs have two ports that allow lateral distribution of power jumper cables. Steel clips are welded to both faces of the studs to support the attachment of Fence covers. Covers are offset 1" to enable lay-in cable management across the face of any length of interconnected frames. Cable clips can be specified separately to manage bundles of communication cables.

Fence is available in two heights: 25" and 28 1/2". The height of fence is determined by the height of the leg, specify 4" high legs for 25" high Fence or 7" high legs for 28 1/2" high Fence. Legs attach to the frame bottom channel 1" from each end. Legs are required 1' from any connector and a stabilizer foot should also be added 8" or less from an L, T or V connector. Two Fence legs are recommended for each frame when a desk end support or upmounted storage cabinet application is planned. If storage or desk supports are not planned, Fence legs are required at each end of straight runs and every 4' or 5' with at least one per Fence frame.

A stabilizer foot is a heavy gauge steel foot that attaches to a Fence leg and extends 6" on either side of the frame. In addition to legs, a stabilizer foot should be added at each end and every 8' along a straight run.

Construction

Frames are 21" high steel weldments available in 48", 60", and 72" widths. Frames are composed of a 1" high crown, bottom rail, 1/2" wide roll formed studs at ends and 1" wide roll formed studs on 12" centers between the ends. Formed steel clips welded at the top, center and bottom of each stud enable covers to mount and snap into position without tools.

Legs are extruded aluminum with steel top and bottom plates to connect to the bottom of the frame 12" from either end and accept 3" high leveling glides with 2" adjustable height.

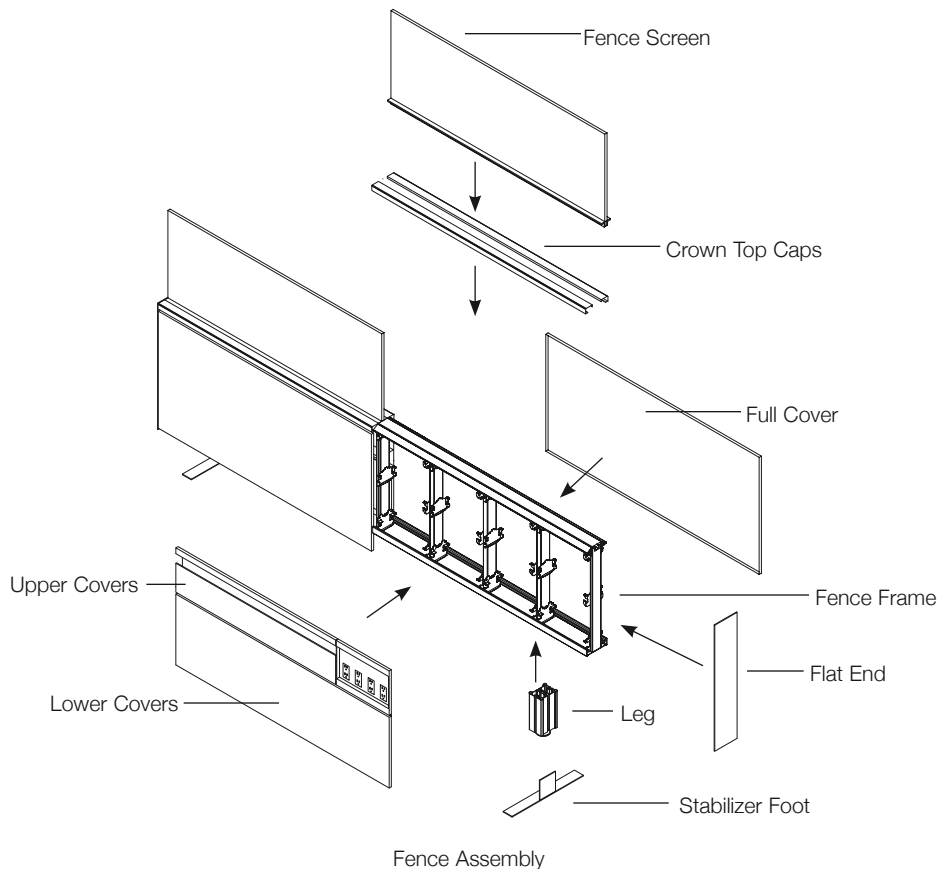
Stabilizer feet are an inverted T-shape constructed of welded steel that rests directly on the floor below the leveling glide.

Cable clips are molded black plastic, approximately 1 1/2"H x 3/4"D, and each can manage 10 or more CAT5 cables.

Antenna Fence frame is essentially similar to Currents Fence, but has a different bottom channel to enable the covers to extend to the floor. Legs and feet are unique to Antenna Fence.

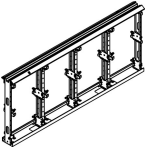
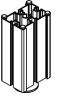
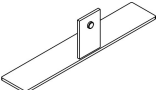
Specification Options

Frames have a black paint finish. The legs and stabilizer foot are available in any core paint finish. Cable clips (AR1PCC100) must be specified separately and are available in packages of 100.



Fence Structure

Frames, Legs and Stabilizer Foot

description	type	w	d	h	pattern no.	list
	48" Wide	48"	5"	21"	YFF2148	\$505.
	60" Wide	60"	5"	21"	YFF2160	598.
	72" Wide	72"	5"	21"	YFF2172	665.
	For sue with 25" High Fence	3 1/2"	4"	4"	YFL25	35.
	For use with 28 1/2" High Fence	3 1/2"	4"	7"	YFL28	46.
	For use with individual leg	4"	16"	1/4"	YFLSF	91.

Fence Components

Ordering Information	Order Code	Included With	Options
Frame/Legs	Frame/Legs	Frame/Legs	Frame/Legs
1. Pattern Number	<i>Example:</i> YFF2148	Stabilizer Foot	Stabilizer Foot
Stabilizer Foot	YFF Fence Frame	Attachment Hardware	
1. Pattern Number	21 Height		
2. Paint Finish	48 Width		
	Stabilizer Foot		
	<i>Example:</i> YFLSF, 118T		
	YFLSF Stabilizer Foot		
	118T Bright White Paint		

Fence Connectors and Trim

Each fence frame requires a pair of matching width crown top caps. Crown top caps match the profile of an Antenna desk top and snap on to either side of the frame crown, leaving a center channel accessible for mounting screens or overhead support stanchions.

Crown center channel can be filled with a crown top cap center channel. Center crown top caps can be trimmed on site to fit around stanchions or off module screens.

Fence flat ends attach directly to the outside ends of the frame, covering the ends of the crown top caps and edges of side covers.

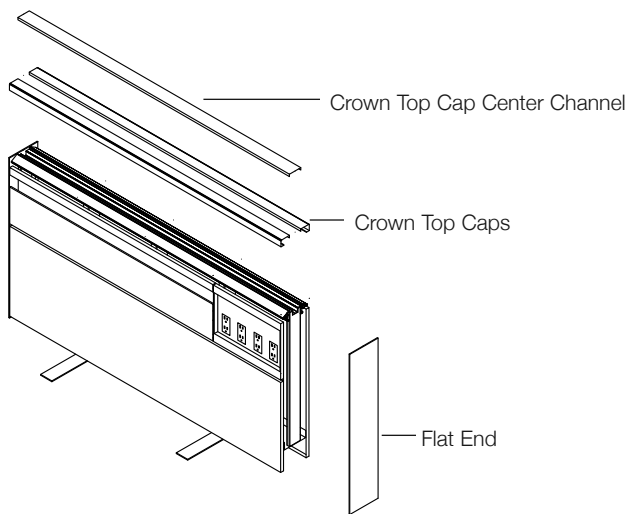
Fence connectors attach between two or more frames at a 90-degree or 120-degree angle creating L, X, T, V or Y conditions. Connectors add 1" in plan on either side. Connector kits include formed steel top and bottom brackets, inside and outside vertical trim covers, connector top cap and end caps for the ends of crown top caps.

Construction

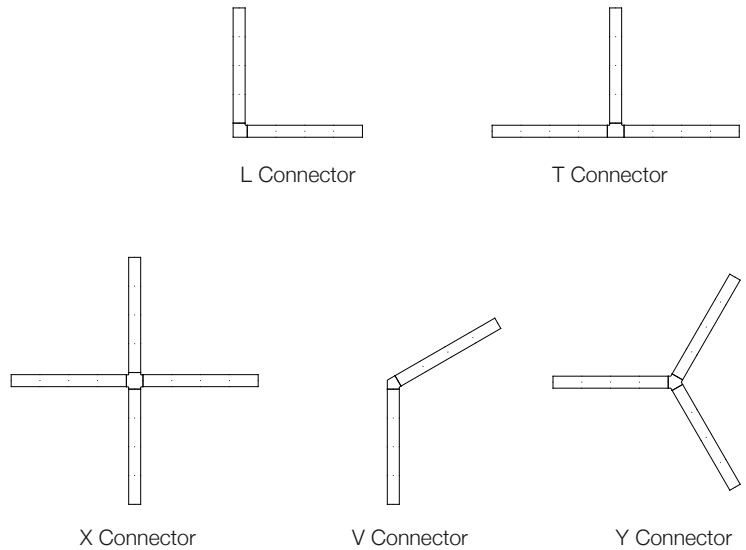
Crown top caps are painted extruded aluminum. Crown top cap center channels are extruded metal. Connector kits are comprised of formed steel top and bottom brackets and trim covers, molded plastic top caps and metal crown end caps.

Specification Options

Crown top caps and crown top cap center channels can be specified in any core paint finish. Flat ends and connector covers can be specified in any core paint finish. For L, T, and V conditions, specify connector top cap and crown end caps, which are included in connector kits, in any core paint finish. For X and Y conditions, specify crown end caps in any core paint finish.





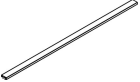
Connector and Trim Assembly Detail



Fence Connector Applications

Fence Connectors and Trim






Antenna Crown Top Caps and Flat Ends

description	type	w	d	h	pattern no.	list
 Flat Ends	For 28 1/2" High Fence		1/4"	28 1/2"	YFJE28	\$104.
	For use with 25" High Fence	5"	1/4"	25"	YFJE25	104.
 Crown Top Caps (pair)	For use with 48" wide frame	48"	1 1/2"	3/4"	YFTC48	58.
	For use with 60" wide frame	60"	1 1/2"	3/4"	YFTC60	81.
	For use with 72" wide frame	72"	1 1/2"	3/4"	YFTC72	91.
 Crown Top Cap Center Channel	For use with 48" wide crown top caps	48"	1 3/4"	3/4"	YFCC48	29.
	For use with 60" wide crown top caps	60"	1 3/4"	3/4"	YFCC60	40.
	For use with 72" wide crown top caps	72"	1 3/4"	3/4"	YFCC72	46.

Ordering Information	Order Code	Included With	Options
Crown Covers/Flat Ends	Crown Covers/Flat Ends	Crown Covers/Flat Ends	Crown Covers/Flat Ends
1. Pattern Number	<i>Example:</i> YFJE25, 118T		
2. Paint Finish	YFJE Flat End		
	25 Height		
	118T Bright White Paint		

Fence Connectors and Trim

Antenna Connectors

description	type	w	d	h	pattern no.	list
L Connectors (Two-Way) 	For use with 25" High Fence	5"	5"	25"	YFJL25	\$517.
	For use with 28 1/2" High Fence	5"	5"	28 1/2"	YFJL28	517.
T Connectors (Three-Way) 	For use with 25" High Fence	5"	5"	25"	YFJT25	608.
	For use with 28 1/2" High Fence	5"	5"	28 1/2"	YFJT28	608.
X Connectors (Four-Way) 	For use with 25" High Fence	5"	5"	25"	YFJX25	654.
	For use with 28 1/2" High Fence	5"	5"	28 1/2"	YFJX28	654.
V Connectors (Two-Way 120 degree) 	For use with 25" High Fence	5"	5"	25"	YFJV25	831.
	For use with 28 1/2" High Fence	5"	5"	28 1/2"	YFJV28	831.
Y Connector (Three-Way 120 Degree) 	For use with 25" High Fence	5"	5"	25"	YFJY25	505.
	For use with 28 1/2" High Fence	5"	5"	28 1/2"	YFJY28	505.

Ordering Information

Connectors

1. Pattern Number
2. Vertical Paint Finish (except for X and Y connector)
3. Top Cap Paint Finish
4. Crown End Cover Finish

Order Code

Connectors

Example: **YFJT25, 118T, 118T, 118T**

YFJT	Fence T Connector
25	Height
118T	Bright White Paint
118T	Bright White Paint
118T	Bright White Paint

Included With

Connectors

Attachment Hardware
Connectors
Trim

Options

Connectors

Fence Electrical Components

Fence is powered by a unique point-to-point configuration of standard Knoll 2+2 or 3+3 modular raceways. The central power component is the outlet module, which has integral hooks to hang from the top stud clips on the frame. The outlet module is less than 6" wide, so two outlet modules can fit side by side between any two studs.

Each face of the outlet module accepts two duplex outlets, unique to Antenna Fence, that extend to protrude through the outlet cover openings. Duplex receptacles must be specified to access one of the four or six circuits. The four ports at the bottom of an outlet module accept jumper cables or an infeed with up to three jumper cables.

Jumpers

Jumper cables are available in various lengths up to 108" to link power between outlet modules. Side by side outlet modules behind a single outlet cover should be

joined by an 18" jumper, outlet modules behind adjacent outlet covers should be joined by a 24" jumper. For other planning conditions, fence jumpers need to be at least 24" wider than the width of the fence cover between outlet covers. For example, if outlet modules are positioned behind outlet covers separated by a 36" wide fence cover, they should be joined by a 60" or wider jumper.

Infeeds

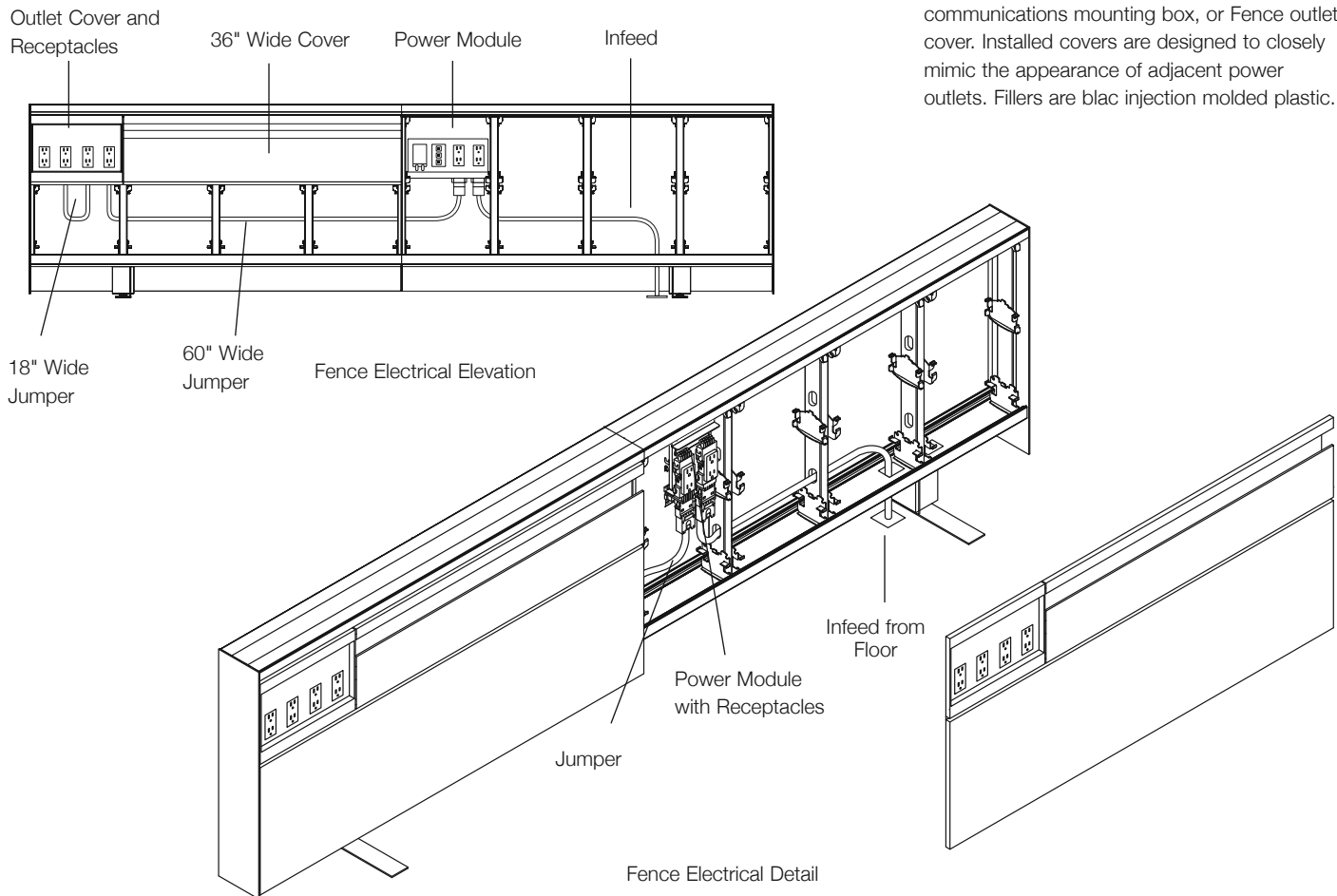
Two types of power infeeds, modular and hardwire, are available to connect the raceway to the building power supply. The modular infeed has a modular connector with a six foot pigtail that connects a junction box directly to Fence, through a port in the bottom of the frame, to an outlet module. Clad in metal conduit, the modular infeed is compliant with San Francisco electrical codes. A hardwire infeed, required in New York City, mounts to the frame and includes a connector with six foot pigtail that connects to an outlet module.

Infeed cables for both power and communications enter the Fence frame through the 1" space at the base of full or lower covers and the 3" (with 25" high Fence) or 6" (with 28 1/2" high Fence) space between the bottom of the frame and the floor.

Data and Communications

The PDC module extension kit is a set of ten collars that snap securely into an outlet opening in Antenna communications mounting box or Fence outlets cover to project a new outlet mounting position 1/2" away from the face of the box or cover. This added depth can be crucial if communications connectors are unusually deep and are arrayed back to back in the mounting box or Fence. Interior space between back to back communications faceplates is 3" in mounting box, or 3 7/8" in Fence applications. Extension kit accepts most standard, decorative communications faceplates. PDC module extension kit is injection molded black plastic.

Outlet fillers are a kit of ten plastic filler plates that flex to snap securely into any unused outlet opening in Antenna raceway covers, communications mounting box, or Fence outlets cover. Installed covers are designed to closely mimic the appearance of adjacent power outlets. Fillers are black injection molded plastic.

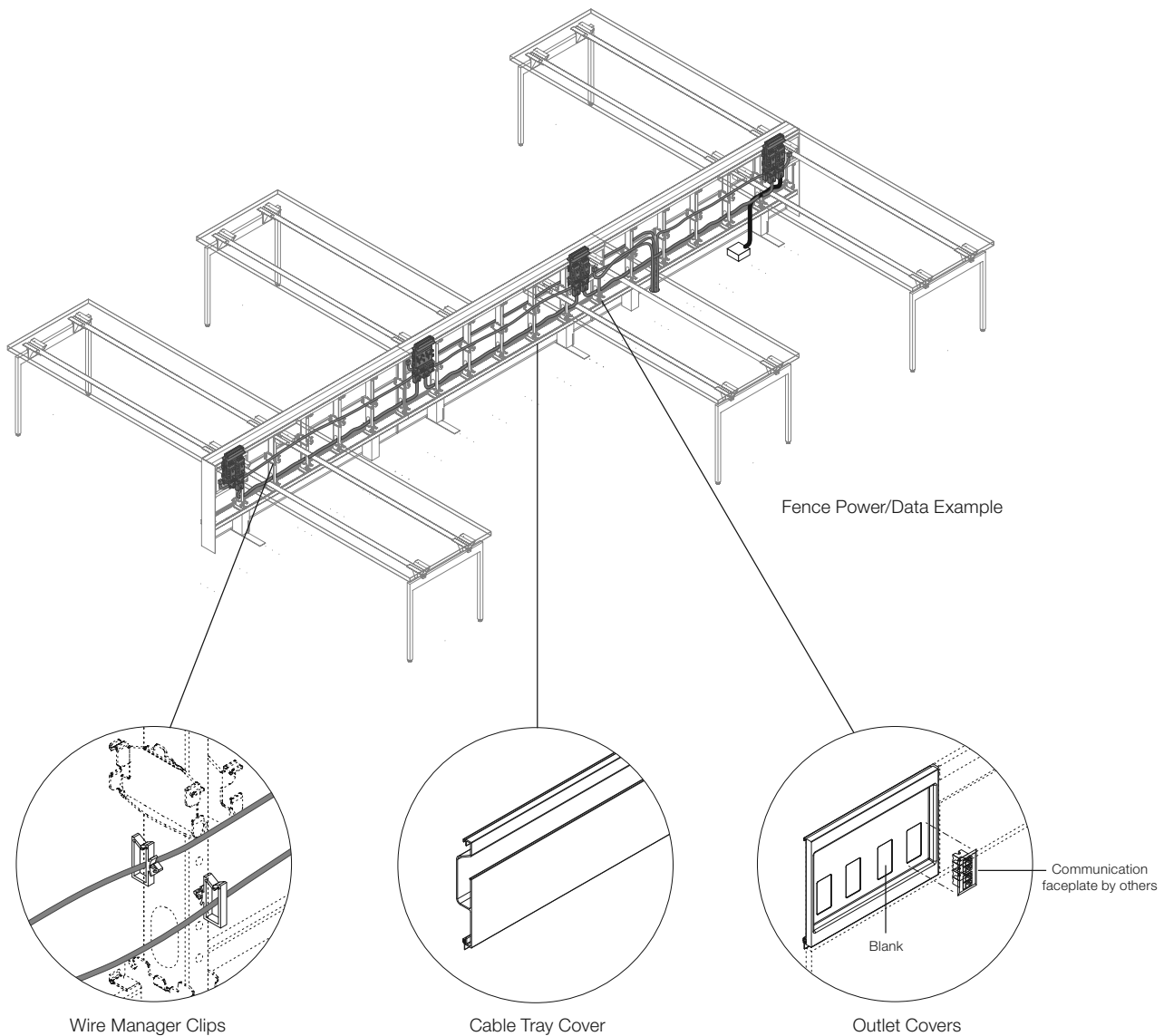


Construction

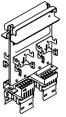
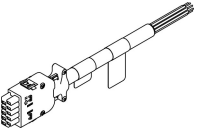
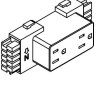

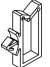
The 2+2 electrical system distributes four 20-amp circuits in eight wires suitable for uninterrupted power supply applications. 2+2 electrical is configured with two hot wires that have a shared ground and neutral and two other hot wires that have separate shared ground and neutrals. The 3+3 electrical system distributes six 20-amp circuits in ten wires suitable for uninterrupted power supply applications. 3+3 electrical is configured with three hot wires with a shared ground and neutral and three other hot wires that have separate shared ground and neutrals.

Specification Options

For outlet modules, jumpers and infeeds, specify either the 2+2 or 3+3 electrical system. When using the 2+2 electrical system, specify duplex receptacles for circuits A, B, X or Y. When using the 3+3 electrical system, specify duplex receptacles for circuits A, B, C, X, Y or Z. Duplex receptacles for all circuits are available with a black face. X, Y and Z circuits are also available with an orange face or a black face with an orange triangle.



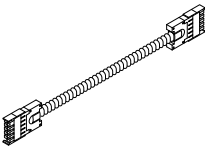
Electrical Components for Fence 2+2 and 3+3 Electrical Systems

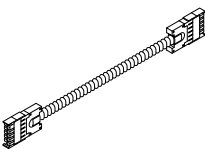
description	type	w	d	h	pattern no.	list
Outlet Modules 	2+2, Upper Level	6"	3 1/2"	8 1/2"	YR1EOM	\$170.
	3+3, Upper Level	6"	3 1/2"	8 1/2"	YR1TOM	198.
Infeeds 	2+2 Hardwire Infeed for New York City	85"	2 1/8"	2 3/8"	YR1EPNY	436.
	2+2 Modular Base Infeed	85"	2 1/8"	2 3/8"	YR1EDPI	198.
	3+3 Hardwire Infeed for New York City	85"	2 1/8"	2 3/8"	YR1TPNY	459.
	3+3 Modular Base Infeed	85"	2 1/8"	2 3/8"	YR1TDPI	229.
Duplex Receptacles, Extended Face For Use With Fence 	Circuit A, black	1 1/2"	2"	4 1/2"	YR1XDA	46.
	Circuit B, black	1 1/2"	2"	4 1/2"	YR1XDB	46.
	Circuit C, black	1 1/2"	2"	4 1/2"	YR1XDC	46.
	Circuit X, black	1 1/2"	2"	4 1/2"	YR1XDX	46.
	Circuit X, black with orange triangle	1 1/2"	2"	4 1/2"	YR1XDXT	46.
	Circuit X, orange	1 1/2"	2"	4 1/2"	YR1XD XO	46.
	Circuit Y, black	1 1/2"	2"	4 1/2"	YR1XDY	46.
	Circuit Y, black with orange triangle	1 1/2"	2"	4 1/2"	YR1XDYT	46.
	Circuit Y, orange	1 1/2"	2"	4 1/2"	YR1XDYO	46.
	Circuit Z, black	1 1/2"	2"	4 1/2"	YR1XDZ	46.
	Circuit Z, black with orange triangle	1 1/2"	2"	4 1/2"	YR1XDZT	46.
Circuit Z, orange	1 1/2"	2"	4 1/2"	YR1XDZO	46.	
Outlet Fillers 	Package of 10	1 1/4"	1/4"	2 1/2"	YROF	35.
PDC Module Extension Kit	Package of 10				YR1PDCX	141.
Cable Clips for Wall Studs 	Package of 100	1/4"	1/2"	1 1/2"	YR1PCC100	84.

Fence Components

Ordering Information	Order Code	Included With	Options
Electrical Components 1. Pattern Number	Electrical Components <i>Example:</i> YR1EOM12 YR1EOM Outlet Module 12 Width	Electrical Components	Electrical Components

Electrical Components for Fence 2+2 and 3+3 Electrical Systems

description	type	w	d	h	pattern no.	list
	For adjacent outlet modules behind one cover	18"	1"	1"	YR1EJ18	\$113.
	For outlets behind adjacent outlet covers	24"	1"	1"	YR1EJ24	119.
	For 12" between outlet covers	36"	1"	1"	YR1EJ36	134.
	For 24" between outlet covers	48"	1"	1"	YR1EJ48	155.
	For 36" between outlet covers	60"	1"	1"	YR1EJ60	171.
	For 48" between outlet covers	72"	1"	1"	YR1EJ72	187.
	For 60" between outlet covers	84"	1"	1"	YR1EJ84	207.
	For 72" between outlet covers	96"	1"	1"	YR1EJ96	222.
For 84" between outlet covers	108"	1"	1"	YR1EJ108	231.	

	For adjacent outlet modules behind one cover	18"	1"	1"	YR1TJ18	147.
	For outlets behind adjacent outlet covers	24"	1"	1"	YR1TJ24	155.
	For 12" between outlet covers	36"	1"	1"	YR1TJ36	175.
	For 24" between outlet covers	48"	1"	1"	YR1TJ48	202.
	For 36" between outlet covers	60"	1"	1"	YR1TJ60	222.
	For 48" between outlet covers	72"	1"	1"	YR1TJ72	243.
	For 60" between outlet covers	84"	1"	1"	YR1TJ84	270.
	For 72" between outlet covers	96"	1"	1"	YR1TJ96	290.
For 84" between outlet covers	108"	1"	1"	YR1TJ108	299.	

Ordering Information

Electrical Components

1. Pattern Number

Order Code

Electrical Components

Example: **YR1TJ36**

YR1TJ Jumper Cable

36 Width

Included With

Electrical Components

Options

Electrical Components

Fence Upper Covers

Upper covers are nominal 9"H and mount only in the upper position of each face of the frame, 1/2" below and flush with the crown covers. Specifying the surface covers of the fence should begin by locating outlets covers and any functional surface covers—integral cable tray or slatwall. Other surface covers can be painted wood, laminate, or veneer. Covers attach using full width extrusions that hang from the top stud clips and snap onto the middle clips on the studs.

Outlet covers are 12" wide with a 1/2" deep recessed surface and four standard duplex outlet openings. Each outlet opening is oriented vertically and is sized to fit around a power outlet or standard Decora-size snap-in data/communications outlet. Hardwired outlet covers are also available when required by code.

Cable tray covers are designed to enable user-accessible cable management within the surface of the Fence between outlet covers. Slatwall has integral slots from which KnollExtra accessories can be hung from the surface of the Fence. Cable tray and slatwall covers are available in 12" widths up to 72".

Upper covers are also available with a painted or laminate finish in widths from 12"-72" or with a Techwood or natural veneer finish in widths from 12"-48". The grain direction is vertical for veneer covers.

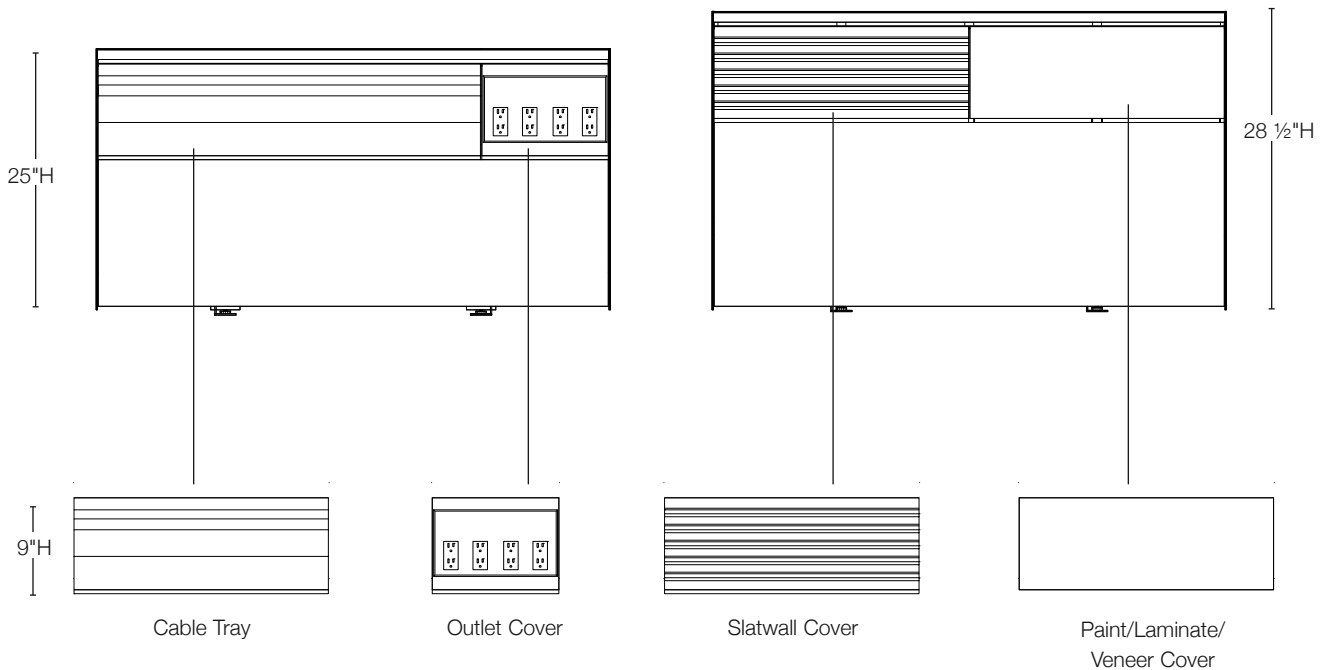
Construction

Modular outlet covers are constructed of injection molded plastic and hardwire outlet covers are formed steel. Cable trays and slatwall are extruded aluminum with integral top and bottom hook details. Painted, laminate and veneer upper covers have a 1/2" thick wood core with top and bottom aluminum extrusions to engage to the stud clips.

Specification Options

Outlet covers, cable tray, slatwall, and painted upper covers are available in any Knoll core paint finish. Laminate covers are available in any Knoll core laminate finish. Veneer covers are available in any Knoll core Techwood or natural veneer finish. Veneer and patterned laminate upper covers are only available in widths up to 48".

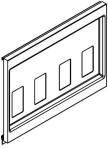
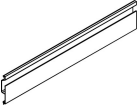
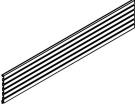
Elevation of Upper Covers for 25" and 28 1/2" High Fence



Upper Covers

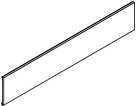
Outlet, Cable Tray and Slatwall Covers

For 25" or 28" High Fence

description	type	w	d	h	pattern no.	list
Upper Outlet Covers 	Modular	12"	1"	9"	YFCOC	\$46.
	Hardwire	12"	1"	9"	YFCHOC	115.
Upper Cable Tray Covers 		12"	1"	9"	YFC0912C	46.
		24"	1"	9"	YFC0924C	81.
		36"	1"	9"	YFC0936C	115.
		48"	1"	9"	YFC0948C	160.
		60"	1"	9"	YFC0960C	195.
		72"	1"	9"	YFC0972C	230.
Upper Slatwall Covers 		12"	1"	9"	YFC0912S	40.
		24"	1"	9"	YFC0924S	69.
		36"	1"	9"	YFC0936S	104.
		48"	1"	9"	YFC0948S	138.
		60"	1"	9"	YFC0960S	173.
		72"	1"	9"	YFC0972S	206.

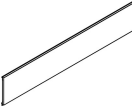
Ordering Information	Order Code	Included With	Options
Upper Covers	Upper Covers	Upper Covers	Upper Covers
1. Pattern Number	<i>Example:</i> YFCOC, 118T		
2. Paint Finish	YFCOC Outlet Cover		
	118T Bright White Paint		

Upper Covers
Painted
 For 25" or 28" High Fence

description	w	d	h	pattern no.	list
Upper Painted Covers	12"	3/4"	9"	YFC0912P	\$154.
	24"	3/4"	9"	YFC0924P	165.
	36"	3/4"	9"	YFC0936P	177.
	48"	3/4"	9"	YFC0948P	189.
	60"	3/4"	9"	YFC0960P	224.
	72"	3/4"	9"	YFC0972P	247.

Ordering Information	Order Code	Included With	Options
Painted Covers	Painted Covers	Painted Covers	Painted Covers
1. Pattern Number	<i>Example:</i> YFC0936P, 118T		
2. Paint Finish	YFC Fence Cover		
	09 Height		
	36 Width		
	P Painted		
	118T Bright White Paint		

Upper Covers
Laminate
For 25" or 28" High Fence

description	w	d	h	pattern no.	list
Upper Laminate Covers	12"	3/4"	9"	YFC0912L	\$165.
	24"	3/4"	9"	YFC0924L	189.
	36"	3/4"	9"	YFC0936L	212.
	48"	3/4"	9"	YFC0948L	236.
	60"	3/4"	9"	YFC0960L	306.
	72"	3/4"	9"	YFC0972L	330.

Ordering Information

Laminate Covers

1. Pattern Number
2. Laminate Finish

Order Code

Laminate Covers

Example: YFC0936L, 118

YFC Fence Cover

09 Height

36 Width

L Laminate

118 Bright White Laminate


Included With

Laminate Covers

Options

Laminate Covers

Upper Covers
Veneer
For 25" or 28" High Fence

description	w	d	h	pattern no.	V1	V2	V3
Upper Veneer Covers	12"	3/4"	9"	YFC0912V	\$461.	\$532.	\$717.
	24"	3/4"	9"	YFC0924V	515.	590.	797.
	36"	3/4"	9"	YFC0936V	593.	683.	919.
	48"	3/4"	9"	YFC0948V	650.	748.	1,011.

Ordering Information

Veneer Covers

1. Pattern Number
2. Veneer Finish

Order Code

Veneer Covers

Example: **YFC0936V, Y316**

YFC	Fence Cover
09	Height
36	Width
V	Veneer
Y316	Maple

Included With

Veneer Covers

Options

Veneer Covers

Lower Covers

Planning Guidelines and Specifications

Fence Lower Covers

Lower covers fill the space below upper covers on Fence down to 1" above the floor level, which allows continuous cable entry/exit. Lower covers are planned in the lower section of Fence below upper covers and can be combined with adjacent full covers on the Fence. Lower covers attach using full width extrusions that hang from the middle position stud clips and snap onto the bottom position clips on the studs.

Specify 14" high lower covers for use with 25" high Fence and 17" high lower covers for use with 28 1/2" high Fence.

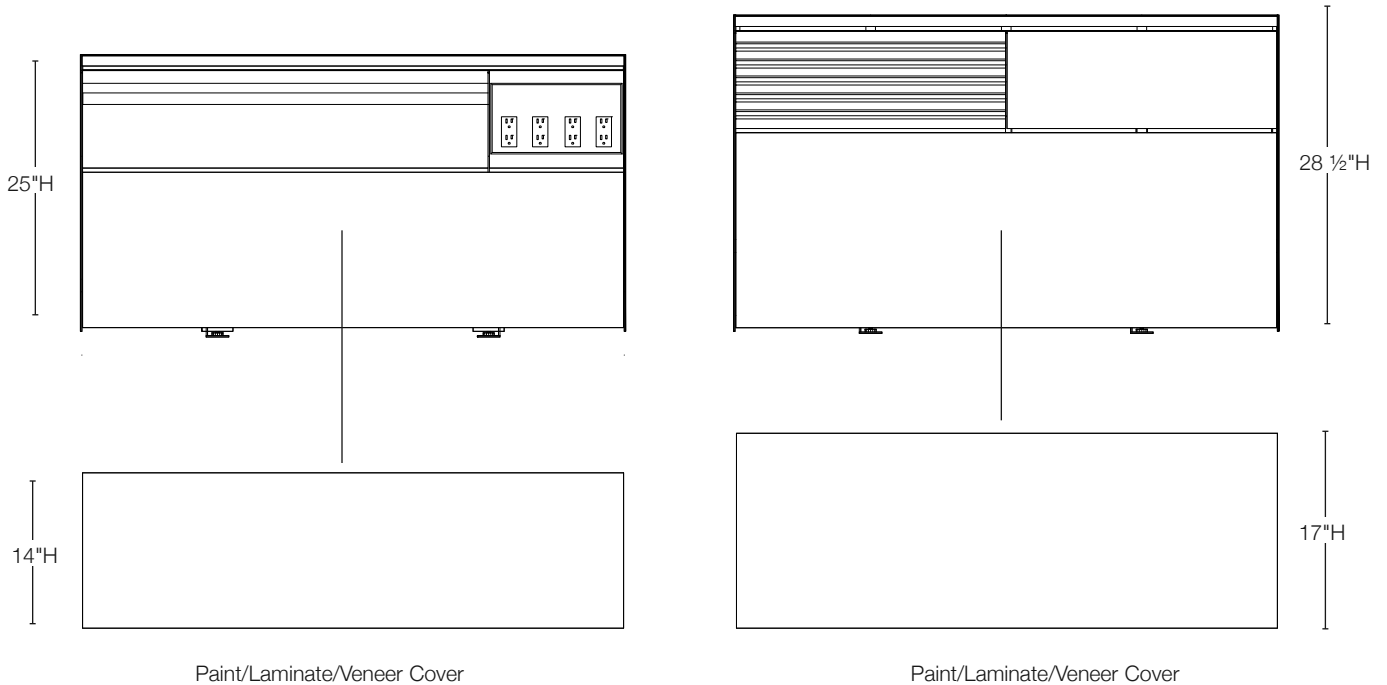
Construction

Painted, laminate and veneer upper covers have a 1/2" thick wood core with top and bottom aluminum extrusions to engage to the stud clips.

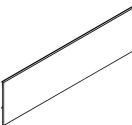
Specification Options

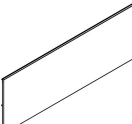
Painted upper covers are available in any Knoll core paint finish. Laminate covers are available in any Knoll core laminate finish. Veneer covers are available in any Knoll core Techwood or natural veneer finish. The grain direction is vertical for veneer covers. Veneer and patterned laminate upper covers are only available in widths up to 48".

Elevation of Lower Covers for 25" and 28 1/2" High Fence




Lower Covers
Painted
 For 25" or 28" High Fence


description	w	d	h	pattern no.	list
Lower Painted Covers for 25" High Fence 	12"	3/4"	14"	YFC1412P	\$154.
	24"	3/4"	14"	YFC1424P	165.
	36"	3/4"	14"	YFC1436P	177.
	48"	3/4"	14"	YFC1448P	189.
	60"	3/4"	14"	YFC1460P	224.
	72"	3/4"	14"	YFC1472P	247.

Lower Painted Covers for 28" High Fence 	12"	3/4"	17"	YFC1712P	154.
	24"	3/4"	17"	YFC1724P	165.
	36"	3/4"	17"	YFC1736P	177.
	48"	3/4"	17"	YFC1748P	189.
	60"	3/4"	17"	YFC1760P	224.
	72"	3/4"	17"	YFC1772P	247.

Ordering Information	Order Code	Included With	Options
Painted Covers	Painted Covers	Painted Covers	Painted Covers
1. Pattern Number	<i>Example:</i> YFC1736P, 118T		
2. Paint Finish	YFC Fence Cover		
	17 Height		
	36 Width		
	P Painted		
	118T Bright White Paint		

Lower Covers
Laminate
For 25" or 28" High Fence

description	w	d	h	pattern no.	list
Lower Laminate Covers for 25" High Fence 	12"	3/4"	14"	YFC1412L	\$165.
	24"	3/4"	14"	YFC1424L	189.
	36"	3/4"	14"	YFC1436L	212.
	48"	3/4"	14"	YFC1448L	236.
	60"	3/4"	14"	YFC1460L	306.
	72"	3/4"	14"	YFC1472L	330.

Lower Laminate Covers for 28" High Fence 	12"	3/4"	17"	YFC1712L	165.
	24"	3/4"	17"	YFC1724L	206.
	36"	3/4"	17"	YFC1736L	231.
	48"	3/4"	17"	YFC1748L	253.
	60"	3/4"	17"	YFC1760L	366.
	72"	3/4"	17"	YFC1772L	384.

Ordering Information

Laminate Covers

1. Pattern Number
2. Laminate Finish

Order Code

Laminate Covers

Example: YFC1736L, 118

YFC Fence Cover

17 Height

36 Width

L Laminate

118 Bright White Laminate

Included With

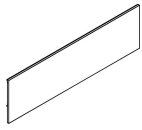
Laminate Covers

Options

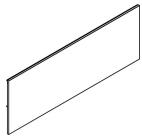
Laminate Covers

Lower Covers
Veneer
For 25" or 28" High Fence

description	w	d	h	pattern no.	V1	V2	V3
Lower Veneer Covers for 25" High Fence	12"	3/4"	14"	YFC1412V	\$481.	\$552.	\$746.
	24"	3/4"	14"	YFC1424V	546.	628.	848.
	36"	3/4"	14"	YFC1436V	632.	727.	982.
	48"	3/4"	14"	YFC1448V	691.	793.	1,072.



Lower Veneer Covers for 28" High Fence	12"	3/4"	17"	YFC1712V	486.	559.	755.
	24"	3/4"	17"	YFC1724V	556.	640.	863.
	36"	3/4"	17"	YFC1736V	645.	743.	1,001.
	48"	3/4"	17"	YFC1748V	714.	821.	1,109.



Ordering Information	Order Code	Included With	Options
Veneer Covers	Veneer Covers	Veneer Covers	Veneer Covers
1. Pattern Number	<i>Example:</i> YFCO936V, Y316		
2. Veneer Finish	YFC Fence Cover		
	09 Height		
	36 Width		
	V Veneer		
	Y316 Maple		

Full Covers

Planning Guidelines and Specifications

Fence Full Covers

Full covers fill the entire side of Fence, from the space below the crown down to 1" above the floor allowing continuous cable entry/exit. Full covers can be planned adjacent to any combination of upper and lower covers on Fence. Full covers attach using full width extrusions that hang from the top position stud clips and snap onto the bottom stud clips.

Specify 23" high full covers for use with 25" high Fence and 26" high full covers for use with 28 1/2" high Fence.

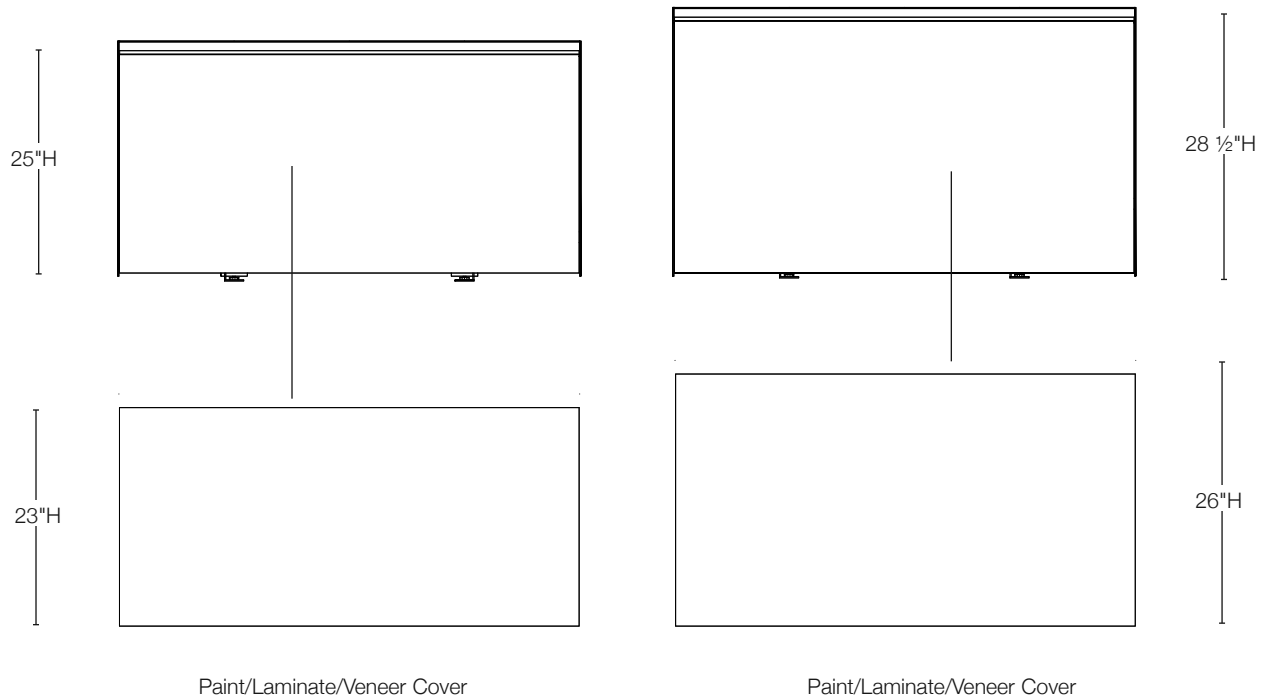
Construction

Painted, laminate and veneer full covers have a 1/2" thick wood core with top and bottom aluminum extrusions to engage to the stud clips.

Specification Options

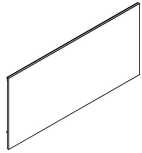
Painted full covers are available in any Knoll core paint finish. Laminate full covers are available in any Knoll core laminate finish. Veneer full covers are available in any Knoll core Techwood or natural veneer finish. The grain direction is vertical for veneer covers. Veneer and patterned laminate upper covers are only available in widths up to 48".

Elevation of Full Covers for 25" and 28 1/2" High Fence

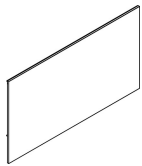


Full Covers
Painted
 For 25" or 28" High Fence

description	w	d	h	pattern no.	list
Full Painted Covers for 25" High Fence	24"	3/4"	23"	YFC2324NP	\$171.
	36"	3/4"	23"	YFC2336NP	183.
	48"	3/4"	23"	YFC2348NP	195.
	60"	3/4"	23"	YFC2360NP	236.
	72"	3/4"	23"	YFC2372NP	260.



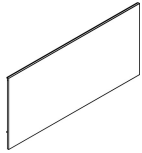
Full Painted Covers for 28" High Fence	24"	3/4"	26"	YFC2624NP	171.
	36"	3/4"	26"	YFC2636NP	183.
	48"	3/4"	26"	YFC2648NP	195.
	60"	3/4"	26"	YFC2660NP	236.
	72"	3/4"	26"	YFC2672NP	260.



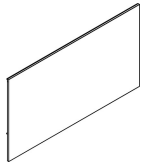
Ordering Information	Order Code	Included With	Options
Painted Covers	Painted Covers	Painted Covers	Painted Covers
1. Pattern Number	<i>Example:</i> YFC2636NP, 118T		
2. Paint Finish	YFC2 Fence Cover		
	26 Height		
	36 Width		
	N No outlets		
	P Painted		
	118T Bright White Paint		

Full Covers
Laminate
For 25" or 28" High Fence

description	w	d	h	pattern no.	list
Full Laminate Covers for 25" High Fence	24"	3/4"	23"	YFC2324NL	\$247.
	36"	3/4"	23"	YFC2336NL	272.
	48"	3/4"	23"	YFC2348NL	306.
	60"	3/4"	23"	YFC2360NL	390.
	72"	3/4"	23"	YFC2372NL	425.



Full Laminate Covers for 28" High Fence	24"	3/4"	26"	YFC2624NL	247.
	36"	3/4"	26"	YFC2636NL	272.
	48"	3/4"	26"	YFC2648NL	306.
	60"	3/4"	26"	YFC2660NL	389.
	72"	3/4"	26"	YFC2672NL	473.



Ordering Information

Laminate Covers

1. Pattern Number
2. Laminate Finish

Order Code

Laminate Covers

Example: **YFC2636NL, 118**

YFC2 Fence Cover

26 Height

36 Width

N No outlets

L Laminate

118 Bright White Laminate

Included With

Laminate Covers

Options

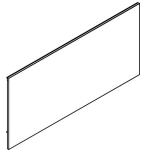
Laminate Covers

Full Covers

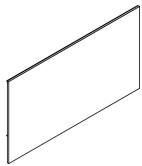
Veneer

For 25" or 28" High Fence

description	w	d	h	pattern no.	V1	V2	V3
Full Veneer Covers for 25" High Fence	24"	3/4"	23"	YFC2324NV	\$577.	\$663.	\$897.
	36"	3/4"	23"	YFC2336NV	673.	776.	1,048.
	48"	3/4"	23"	YFC2348NV	748.	860.	1,161.



Full Veneer Covers for 28" High Fence	24"	3/4"	26"	YFC2624NV	586.	674.	935.
	36"	3/4"	26"	YFC2636NV	692.	795.	1,073.
	48"	3/4"	26"	YFC2648NV	765.	879.	1,188.



Ordering Information	Order Code	Included With	Options
Veneer Covers	Veneer Covers	Veneer Covers	Veneer Covers
1. Pattern Number	<i>Example:</i> YFC2636NV, Y316		
2. Veneer Finish	YFC2 Fence Cover		
	26 Height		
	36 Width		
	N No outlets		
	V Veneer		
	Y316 Maple		

Antenna Screens

Antenna screens provide partial enclosure for workspaces to a horizon of 42"—seated visual access—or 49"—seated visual privacy, in four applications: desk mounted, floorstanding desk mounted, big table-mounted, and fence-mounted. In each application screens are available in a variety of surface finishes for aesthetics, performance and price point.

Desk Screens

Desk mounted screens provide enclosure both above and below the top, starting from either 10 1/2" or 22 1/2" above the floor. The 10 1/2" starting point aligns with the bottom of suspended files or cabinets. The 22 1/2" starting point aligns with the bottom of the horizontal element of a standard desk leg. Desk mounted screens attach directly to the back or end of a desk top with two brackets that also define a 1 1/4" offset for wire management and clamp-on accessories. Brackets are located 3 1/2" from each end of screens 24"-30" wide and 12" from each

end of screens 36" and wider. Brackets will not interfere with standard leg cradles or rails but screens cannot be mounted at the end of desks with table desk end legs. Desk mounted screens cannot be mounted directly behind full depth floorstanding pedestals.

Desk mounted screens are not compatible with single sided big tables.

Screens are available in widths corresponding to standard top depths 24", 27", 30" and desk widths from 36"-72" wide in 6" increments. In most applications screens can be mounted to matching width or wider tops. In back-to-back desk configurations screens cannot overlap back to back desk end legs.

Two types of screens are available:

- Frameless laminate, marker surface or veneer screens are 3/4" thick with matching edge and crisp, eased corners.
- Fabric screens are 1 1/4" thick, with painted perimeter frame capturing a wood structural core and tackable, fabric wrapped inserts on each face.

Construction

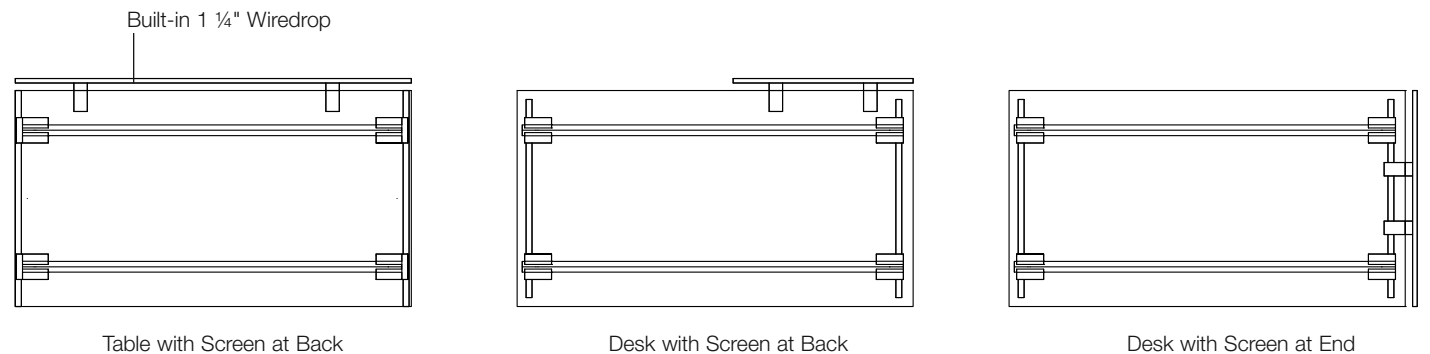
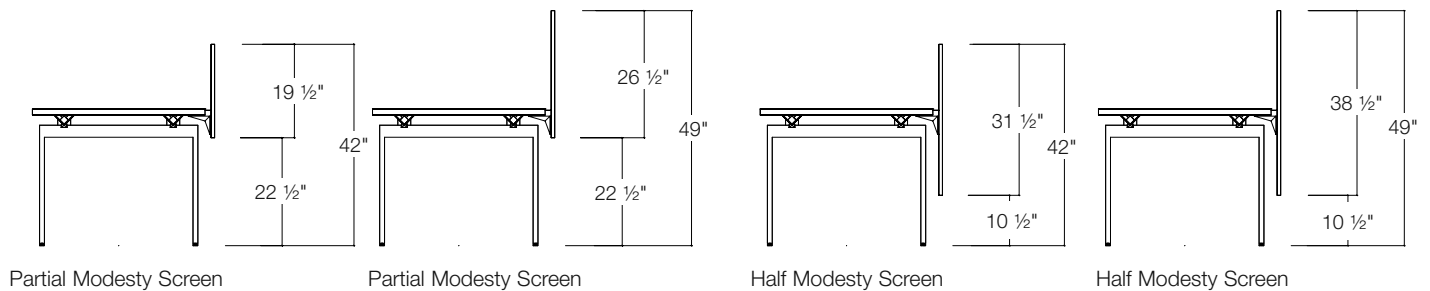
Frameless screens are 3/4" MDF construction, with threaded inserts at bracket locations.

Fabric screens have a 1/2" MDF core, with 3/8" thick tackable PET material inserts on each side wrapped in fabric, and aluminum perimeter frame with seamless corners. Fabric screens have threaded metal inserts at bracket locations.

Specification Options

For frameless screens specify surface type: laminate (L) or veneer (V); finish, any core laminate or dry-erase marker surface (M), or any core Techwood or natural veneer. Brushed Sand (122) and Brushed Grey (123) are not available on laminate screens. Also specify bracket color, in any core paint finish.

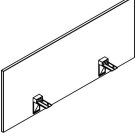
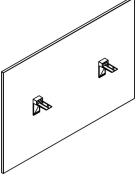
For fabric screens specify fabric, perimeter frame and brackets painted finishes.



Desk Screens

Fabric

For 42" High Horizon

description	w	d	h	pattern no.	10	20	30	40	45
Fabric Screens with Partial Modesty For Desks, 42" High Horizon 	24"	1 1/4"	20"	YPSB2024F	\$619.	\$650.	\$683.	\$713.	\$743.
	27"	1 1/4"	20"	YPSB2027F	638.	668.	700.	732.	764.
	30"	1 1/4"	20"	YPSB2030F	654.	688.	720.	753.	785.
	36"	1 1/4"	20"	YPSB2036F	729.	765.	802.	838.	874.
	42"	1 1/4"	20"	YPSB2042F	757.	795.	832.	871.	909.
	48"	1 1/4"	20"	YPSB2048F	780.	819.	858.	897.	936.
	54"	1 1/4"	20"	YPSB2054F	838.	880.	920.	964.	1,005.
	60"	1 1/4"	20"	YPSB2060F	889.	934.	979.	1,023.	1,067.
	66"	1 1/4"	20"	YPSB2066FRR	930.	977.	1,023.	1,069.	1,115.
	72"	1 1/4"	20"	YPSB2072FRR	958.	1,006.	1,055.	1,101.	1,150.
Fabric Screens with Half Modesty For Desks, 42" High Horizon 	24"	1 1/4"	32"	YPSB3224F	718.	753.	789.	825.	861.
	27"	1 1/4"	32"	YPSB3227F	769.	808.	846.	885.	921.
	30"	1 1/4"	32"	YPSB3230F	792.	831.	871.	911.	950.
	36"	1 1/4"	32"	YPSB3236F	895.	940.	984.	1,029.	1,073.
	42"	1 1/4"	32"	YPSB3242F	947.	994.	1,041.	1,089.	1,136.
	48"	1 1/4"	32"	YPSB3248F	952.	1,000.	1,048.	1,096.	1,143.
	54"	1 1/4"	32"	YPSB3254F	1,032.	1,084.	1,136.	1,187.	1,239.
	60"	1 1/4"	32"	YPSB3260F	1,118.	1,176.	1,231.	1,286.	1,342.
	66"	1 1/4"	32"	YPSB3266FRR	1,273.	1,338.	1,401.	1,465.	1,528.
	72"	1 1/4"	32"	YPSB3272FRR	1,342.	1,410.	1,477.	1,544.	1,610.

Ordering Information

Desk Screens

1. Pattern Number
2. Inside Fabric Finish
3. Outside Fabric Finish
4. Frame Paint Finish
5. Bracket Paint Finish

Order Code

Desk Screens

Example: **YPSB2048F, W351, 118T, 118T**

YPSB	Desk Screen
20	Height
48	Width
F	Fabric
W351	Foundation
W351	Foundation
118T	Bright White Paint
118T	Bright White Paint

Included With

Desk Screens
 Brackets
 Hardware

Options

Desk Screens

The price of screens specified with a combination of fabrics is the higher of the two fabric grades.

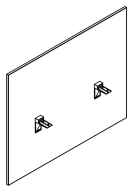
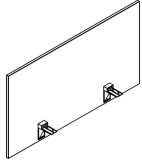
(RR) Fabric is applied railroaded

Desk Screens

Fabric

For 49" High Horizon

description	w	d	h	pattern no.	10	20	30	40	45
Fabric Screens with Partial Modesty For Desks, 49" High Horizon	24"	1 1/4"	26"	YPSB2624F	\$677.	\$711.	\$744.	\$779.	\$812.
	27"	1 1/4"	26"	YPSB2627F	705.	740.	777.	811.	847.
	30"	1 1/4"	26"	YPSB2630F	723.	760.	795.	831.	868.
	36"	1 1/4"	26"	YPSB2636F	809.	849.	890.	931.	971.
	42"	1 1/4"	26"	YPSB2642F	849.	891.	934.	977.	1,020.
	48"	1 1/4"	26"	YPSB2648F	912.	958.	1,003.	1,049.	1,095.
	54"	1 1/4"	26"	YPSB2654F	976.	1,025.	1,072.	1,121.	1,172.
	60"	1 1/4"	26"	YPSB2660F	1,017.	1,066.	1,117.	1,169.	1,219.
	66"	1 1/4"	26"	YPSB2666FRR	1,062.	1,114.	1,169.	1,221.	1,273.
	72"	1 1/4"	26"	YPSB2672FRR	1,108.	1,161.	1,219.	1,273.	1,329.
Fabric Screens with Half Modesty For Desks, 49" High Horizon	24"	1 1/4"	38"	YPSB3824F	775.	814.	852.	890.	930.
	27"	1 1/4"	38"	YPSB3827F	831.	873.	915.	957.	998.
	30"	1 1/4"	38"	YPSB3830F	854.	897.	941.	983.	1,026.
	36"	1 1/4"	38"	YPSB3836F	976.	1,025.	1,072.	1,121.	1,172.
	42"	1 1/4"	38"	YPSB3842F	1,032.	1,084.	1,136.	1,187.	1,239.
	48"	1 1/4"	38"	YPSB3848F	1,113.	1,171.	1,224.	1,279.	1,336.
	54"	1 1/4"	38"	YPSB3854F	1,172.	1,229.	1,287.	1,345.	1,404.
	60"	1 1/4"	38"	YPSB3860F	1,233.	1,296.	1,357.	1,419.	1,480.
	66"	1 1/4"	38"	YPSB3866FRR	1,383.	1,451.	1,521.	1,590.	1,658.
	72"	1 1/4"	38"	YPSB3872FRR	1,457.	1,531.	1,603.	1,676.	1,750.



Ordering Information

Desk Screens

1. Pattern Number
2. Inside Fabric Finish
3. Outside Fabric Finish
4. Frame Paint Finish
5. Bracket Paint Finish

Order Code

Desk Screens

Example: **YPSB2648F, W351, 118T, 118T**

YPSB	Desk Screen
26	Height
48	Width
F	Fabric
W351	Foundation
W351	Foundation
118T	Bright White Paint
118T	Bright White Paint

Included With

Desk Screens
Brackets
Hardware

Options

Desk Screens

The price of screens specified with a combination of fabrics is the higher of the two fabric grades.

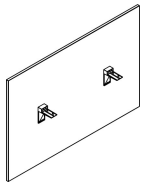
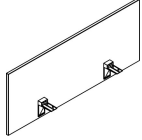
(RR) Fabric is applied railroaded

Desk Screens

Laminate, Markerboard or Veneer

For 42" High Horizon

description	w	d	h	pattern no.	Laminate (L)	Markerboard (LM)	V1 (V)	V2 (V)	V3 (V)
Screens with Partial Modesty For Desks, 42" High Horizon	24"	3/4"	20"	YPSB2024()	\$253.	\$438.	\$486.	\$559.	\$727.
	30"	3/4"	20"	YPSB2030()	260.	445.	507.	583.	759.
	36"	3/4"	20"	YPSB2036()	292.	562.	529.	608.	792.
	42"	3/4"	20"	YPSB2042()	298.	567.	569.	653.	849.
	48"	3/4"	20"	YPSB2048()	385.	908.	595.	684.	887.
	54"	3/4"	20"	YPSB2054()	393.	914.	616.	709.	920.
	60"	3/4"	20"	YPSB2060()	398.	919.	666.	766.	997.
	66"	3/4"	20"	YPSB2066()	405.	927.	696.	801.	1,040.
	72"	3/4"	20"	YPSB2072()	411.	933.	719.	826.	1,072.
Screens with Half Modesty For Desks, 42" High Horizon	24"	3/4"	32"	YPSB3224()	284.	672.	565.	649.	845.
	27"	3/4"	32"	YPSB3227()	290.	677.	588.	678.	883.
	30"	3/4"	32"	YPSB3230()	330.	683.	607.	698.	908.
	36"	3/4"	32"	YPSB3236()	388.	911.	643.	738.	960.
	42"	3/4"	32"	YPSB3242()	398.	919.	704.	810.	1,054.
	48"	3/4"	32"	YPSB3248()	419.	1,595.	738.	849.	1,105.
	54"	3/4"	32"	YPSB3254()	427.	1,603.	780.	897.	1,167.
	60"	3/4"	32"	YPSB3260()	583.	1,609.	861.	989.	1,286.
	66"	3/4"	32"	YPSB3266()	595.	1,618.	903.	1,037.	1,348.
72"	3/4"	32"	YPSB3272()	603.	1,630.	936.	1,075.	1,400.	



Ordering Information

- Desk Screens**
1. Pattern Number
 2. Surface Finish
 3. Bracket Paint Finish

Order Code

Desk Screens
Example: YPSB2048V, V316, 118T

YPSB	Desk Screen
20	Height
48	Width
V	Veneer
V316	Maple
118T	Bright White Paint

Included With

Desk Screens
 Brackets
 Hardware

Options

Desk Screens

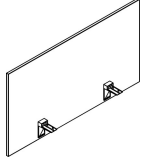
Finish Options:
 (L)= Laminate
 (LM)= Markerboard
 (V)= Veneer

Desk Screens

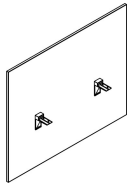
Laminate, Markerboard or Veneer

For 49" High Horizon

description	w	d	h	pattern no.	Laminate (L)	Markerboard (LM)	V1 (V)	V2 (V)	V3 (V)
Screens with Partial Modesty For Desks, 49" High Horizon	24"	3/4"	26"	YPSB2624()	\$277.	\$665.	\$539.	\$620.	\$807.
	27"	3/4"	26"	YPSB2627()	281.	670.	552.	637.	827.
	30"	3/4"	26"	YPSB2630()	285.	673.	576.	663.	862.
	36"	3/4"	26"	YPSB2636()	293.	683.	605.	695.	905.
	42"	3/4"	26"	YPSB2642()	336.	690.	655.	753.	979.
	48"	3/4"	26"	YPSB2648()	368.	1,582.	691.	795.	1,033.
	54"	3/4"	26"	YPSB2654()	375.	1,590.	720.	826.	1,074.
	60"	3/4"	26"	YPSB2660()	396.	1,596.	801.	920.	1,196.
	66"	3/4"	26"	YPSB2666()	404.	1,605.	829.	953.	1,240.
	72"	3/4"	26"	YPSB2672()	518.	1,610.	858.	987.	1,283.



Screens with Half Modesty For Desks, 49" High Horizon	24"	3/4"	38"	YPSB3824()	329.	683.	603.	693.	901.
	27"	3/4"	38"	YPSB3827()	334.	687.	623.	718.	932.
	30"	3/4"	38"	YPSB3830()	338.	692.	644.	739.	961.
	36"	3/4"	38"	YPSB3836()	400.	920.	693.	796.	1,036.
	42"	3/4"	38"	YPSB3842()	413.	933.	762.	876.	1,140.
	48"	3/4"	38"	YPSB3848()	513.	1,606.	803.	923.	1,200.
	54"	3/4"	38"	YPSB3854()	525.	1,617.	851.	979.	1,272.
	60"	3/4"	38"	YPSB3860()	603.	1,630.	960.	1,104.	1,435.
	66"	3/4"	38"	YPSB3866()	613.	1,641.	1,008.	1,159.	1,508.
	72"	3/4"	38"	YPSB3872()	624.	1,651.	1,050.	1,207.	1,569.



Ordering Information

Desk Screens

1. Pattern Number
2. Surface Finish
3. Bracket Paint Finish

Order Code

Desk Screens

Example: **YPSB2648V, V316, 118T**

YPSB Desk Screen

26 Height

48 Width

V Veneer

V316 Maple

118T Bright White Paint

Included With

Desk Screens

Brackets
Hardware

Options

Desk Screens

Finish Options:

(L)= Laminate
(LM)= Markerboard
(V)= Veneer

Big Table Screens

Planning Guidelines and Specifications

Big Table Screens

Big table center screens provide enclosure above the center of a dual or single sided big table to a horizon of 42" or 49", which aligns with upmounted storage cabinets. Big table mounted screens have wedge shape brackets to friction-fit into the center beam at any point.

Screens are available from 24"-72" wide in 6" increments.

Two types of screens are available:

- Frameless laminate, marker surface, veneer or glass screens are 1/2" thick with matching edge and crisp, eased corners. Base fits flush with top of center beam.
- Fabric screens are 1 1/4" thick, with painted perimeter frame capturing a wood structural core and tackable, fabric wrapped inserts on each face.

Construction

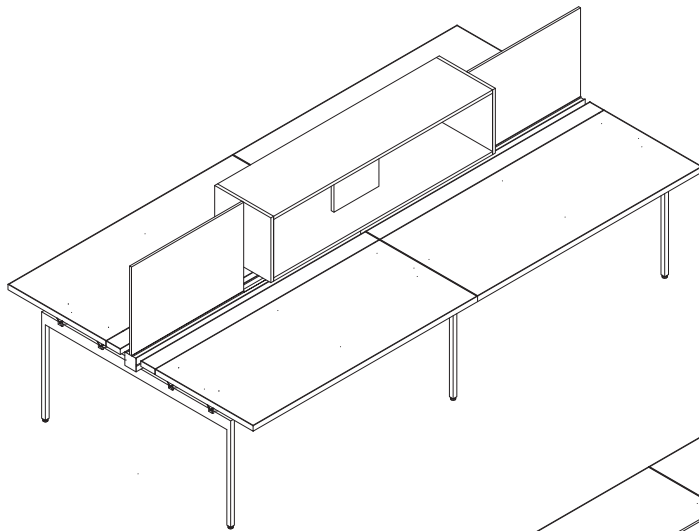
Frameless laminate or veneer screens are 1/2" MDF construction. Frameless glass screens are 1/2" tempered glass with polished edges.

Fabric screens have a 1/2" MDF core, with 3/8" thick tackable PET material inserts on each side wrapped in fabric, and aluminum perimeter frame with seamless corners.

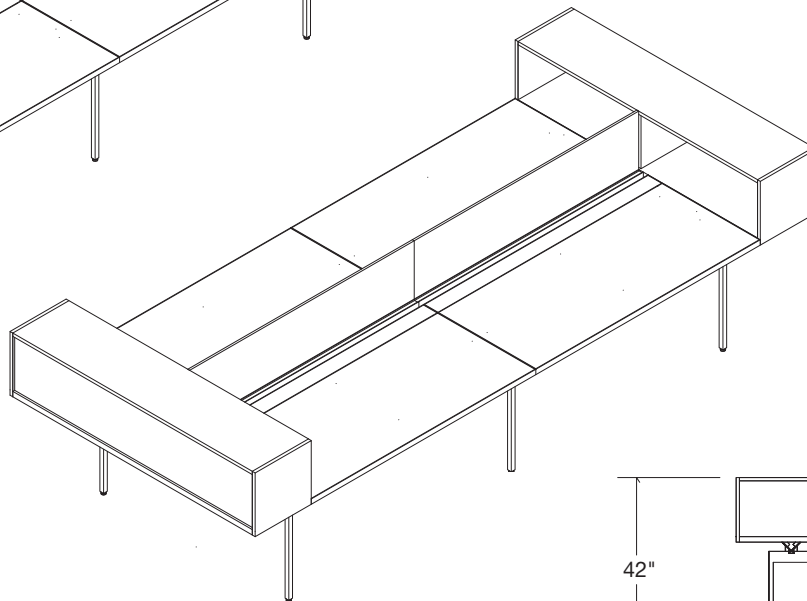
Specification Options

For frameless screens specify surface type: laminate (L) or veneer (V) or glass (G); finish, any core laminate or dry-erase marker surface (M), any core Techwood or natural veneer, or core glass finishes. Brushed Sand (122) and Brushed Grey (123) are not available on laminate screens. Also specify base color, in any core paint finish.

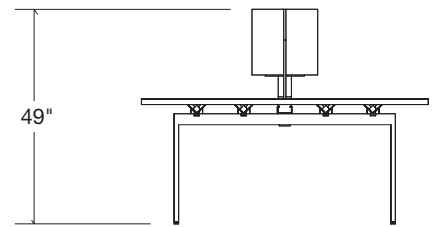
For fabric screens specify fabric, perimeter frame and brackets painted finishes.



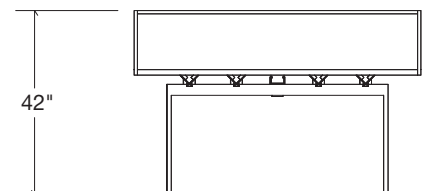
Big Table with 49"H Screens and Stanchion Mounted Cabinets



Big Table with 42"H Screens and Above Big Table Extension Cabinets



Big Table with 49"H Screens
End Elevation

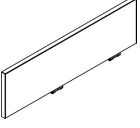


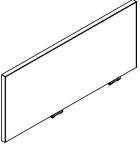
Big Table with 42"H Screens
End Elevation

Big Table Screens

Fabric

For 42" or 49" High Horizon

description	w	d	h	pattern no.	10	20	30	40	45
Fabric Screens For Big Table Center Beam, 42" High Horizon 	24"	1 1/4"	14"	YPSC1424F	\$539.	\$567.	\$595.	\$620.	\$647.
	30"	1 1/4"	14"	YPSC1430F	563.	590.	618.	647.	674.
	36"	1 1/4"	14"	YPSC1436F	608.	640.	668.	699.	730.
	42"	1 1/4"	14"	YPSC1442F	631.	663.	694.	727.	757.
	48"	1 1/4"	14"	YPSC1448F	671.	704.	738.	772.	806.
	54"	1 1/4"	14"	YPSC1454F	694.	729.	764.	798.	832.
	60"	1 1/4"	14"	YPSC1460F	711.	748.	782.	818.	853.
	66"	1 1/4"	14"	YPSC1466FRR	752.	789.	827.	865.	903.
	72"	1 1/4"	14"	YPSC1472FRR	792.	831.	871.	911.	950.

Fabric Screens For Big Table Center Beam, 49" High Horizon 	24"	1 1/4"	21"	YPSC2124F	598.	626.	656.	687.	716.
	30"	1 1/4"	21"	YPSC2130F	625.	656.	689.	720.	751.
	36"	1 1/4"	21"	YPSC2136F	711.	748.	782.	818.	853.
	42"	1 1/4"	21"	YPSC2142F	747.	783.	820.	858.	895.
	48"	1 1/4"	21"	YPSC2148F	769.	808.	846.	885.	921.
	54"	1 1/4"	21"	YPSC2154F	803.	844.	884.	923.	964.
	60"	1 1/4"	21"	YPSC2160F	838.	880.	920.	964.	1,005.
	66"	1 1/4"	21"	YPSC2166FRR	907.	952.	997.	1,042.	1,088.
	72"	1 1/4"	21"	YPSC2172FRR	952.	1,000.	1,048.	1,096.	1,143.

Ordering Information

Big Table Screens

1. Pattern Number
2. Fabric Finish
3. Frame Paint Finish

Order Code

Big Table Screens

Example: **YPSC1448F, W351, 118T**

YPSC	Big Table Center Screen
14	Height
48	Width
F	Fabric
W351	Foundation
118T	Bright White Paint

Included With

Big Table Screens

Brackets
Hardware

Options


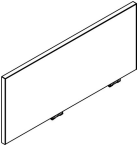
Big Table Screens

The price of screens specified with a combination of fabrics is the higher of the two fabric grades.

(RR) Fabric is applied railroaded.

Big Table Screens

Laminate, Markerboard, Veneer or Glass
For 42" or 49" High Horizon

description	w	d	h	pattern no.	Laminate (L)	Markerboard (LM)	V1 (V)	V2 (V)	V3 (V)	Clear Glass (GTEMP)	Powder Glass (GGL13)	Grey Tinted Glass (GGL35)
Screens For Big Table Center Beam, 42" High Horizon 	24"	1/2"	14"	YPSC1424()	\$195.	\$269.	\$503.	\$602.	\$782.	\$293.	\$448.	\$564.
	30"	1/2"	14"	YPSC1430()	214.	285.	540.	654.	878.	352.	544.	692.
	36"	1/2"	14"	YPSC1436()	238.	365.	559.	686.	950.	399.	632.	809.
	42"	1/2"	14"	YPSC1442()	265.	380.	598.	736.	1,047.	466.	738.	947.
	48"	1/2"	14"	YPSC1448()	336.	618.	615.	770.	1,121.	517.	826.	1,064.
	54"	1/2"	14"	YPSC1454()	354.	633.	659.	827.	1,223.	574.	921.	1,198.
	60"	1/2"	14"	YPSC1460()	369.	648.	702.	886.	1,324.	629.	1,019.	1,316.
	66"	1/2"	14"	YPSC1466()	387.	659.	733.	931.	1,416.	694.	1,124.	1,453.
	72"	1/2"	14"	YPSC1472()	402.	667.	757.	968.	1,489.	747.	1,211.	1,566.
Screens For Big Table Center Beam, 49" High Horizon 	24"	1/2"	21"	YPSC2124()	219.	347.	539.	663.	919.	354.	567.	769.
	30"	1/2"	21"	YPSC2130()	238.	365.	574.	718.	1,034.	424.	691.	941.
	36"	1/2"	21"	YPSC2136()	272.	483.	600.	764.	1,143.	486.	806.	1,107.
	42"	1/2"	21"	YPSC2142()	299.	497.	659.	844.	1,283.	565.	938.	1,287.
	48"	1/2"	21"	YPSC2148()	340.	849.	685.	889.	1,393.	625.	1,051.	1,453.
	54"	1/2"	21"	YPSC2154()	386.	865.	726.	949.	1,516.	695.	1,175.	1,632.
	60"	1/2"	21"	YPSC2160()	431.	880.	766.	1,012.	1,639.	764.	1,297.	1,799.
	66"	1/2"	21"	YPSC2166()	451.	893.	812.	1,080.	1,770.	842.	1,432.	1,990.
	72"	1/2"	21"	YPSC2172()	466.	904.	849.	1,136.	1,879.	904.	1,543.	2,144.

Ordering Information

Big Table Screens

1. Pattern Number
2. Surface Finish
3. Bracket Paint Finish

Order Code

Big Table Screens

Example: **YPSC1448V, V316, 118T**

YPSC	Big Table Center Screen
14	Height
48	Width
V	Veneer
V316	Maple
118T	Bright White Paint

Included With

Big Table Screens

Brackets
Hardware

Options

Big Table Screens

Finish Options:

- (L) = Laminate
- (LM) = Markerboard
- (V) = Veneer
- (GTEMP) = Clear Glass
- (GGL13) = Powder Glass
- (GGL35) = Grey Tinted Glass

Intermediate Screens

Planning and Specification Guidelines

Intermediate screens are designed to plan anywhere along Antenna big tables or linked desk configurations to delineate individual workspaces.

Intermediate screens include a painted aluminum desktop mounting bracket that supports framed, tackable fabric or frameless glass, veneer, laminate or marker surface to a horizon of 42" or 49".

Intermediate screen brackets do not permit screen mount within 1 1/2" of end of desktop, or in combination with end panels.

Intermediate screens are available for two planning applications: full depth and hinged access depth.

Full depth intermediate screens correspond to Antenna top depths, 18", 24", 27", 30", 36", and attach with a clamp bracket around the front and back edges of the top.

Intermediate screens for hinged access tops, 16", 19", 22", are 8" less deep than hinged tops to enable full use of hinge feature. They attach with a clamp bracket around the front edge of the top and a non-skid pad on the top.

Construction

Fabric screens are 1 1/4" thick, with perimeter extruded aluminum frame, extruded aluminum base frame, cast aluminum clamp brackets and cast aluminum bayonets. Tackable fabric surfaces are 3/8" thick PET core, on either side of 1/2" thick particle board.

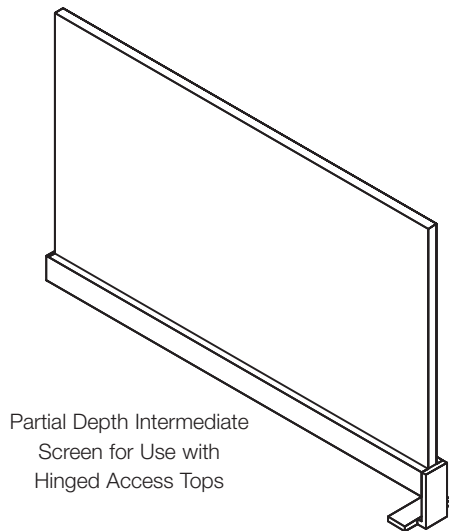
Laminate, veneer and glass screens are 1/2" thick, frameless, with a 1 1/4" high x 1 1/4" wide extruded aluminum base frame and cast aluminum clamp brackets.

Specification Options

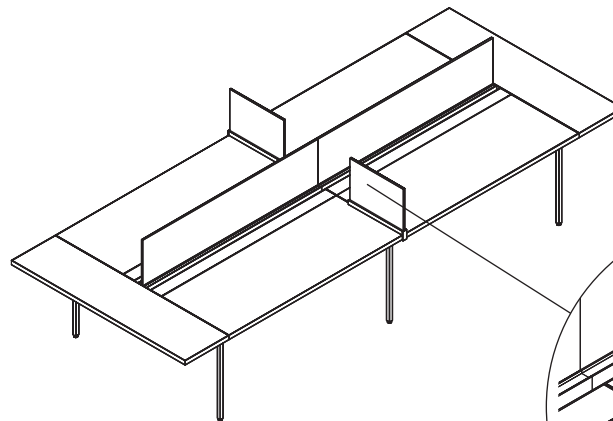
For fabric screens, specify with an Antenna approved textile. Specify perimeter frame in any Knoll Core paint finish.

For frameless screens, specify surface type: laminate (L) or veneer (V) or glass (G) finish in any Knoll Core laminate or marker surface (M), any Core Techwood or natural veneer, or Core glass finishes.

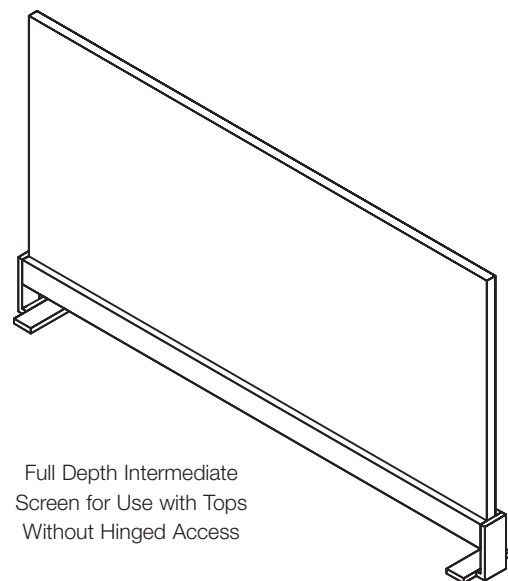
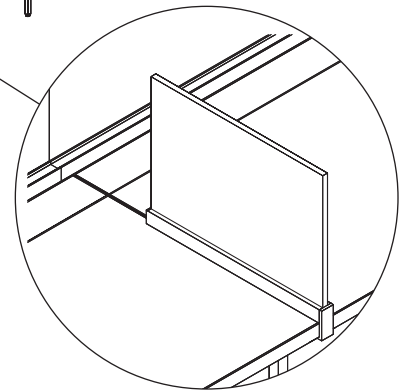
Specify bracket, in any Knoll Core paint finish.



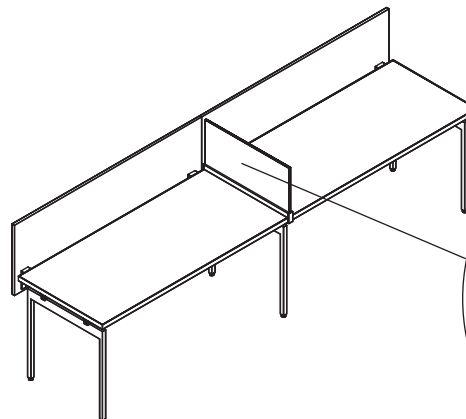
Partial Depth Intermediate Screen for Use with Hinged Access Tops



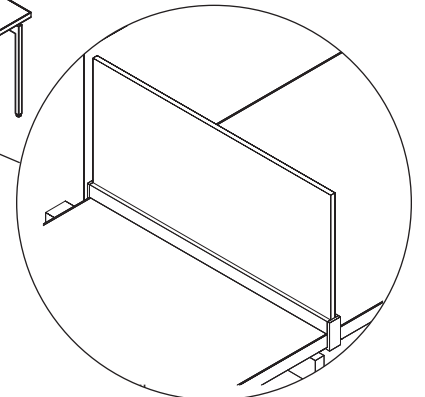
Big Table with Hinged Access Tops and Partial Depth Intermediate Screens



Full Depth Intermediate Screen for Use with Tops Without Hinged Access




Linked Desks Full Depth Intermediate Screens

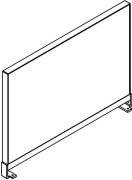


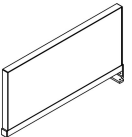
Intermediate Screens

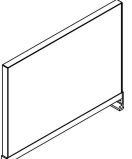
Fabric

For 42" or 49" High Horizon

description	type	w	d	h	pattern no.	10	20	30	40	45
 Full Depth Intermediate Screen, 42" High Horizon	For 18"D Tops w/o Hinged Access	1 1/4"	18"	14"	YPSI1418F	\$575.	\$604.	\$632.	\$661.	\$690.
	For 24"D Tops w/o Hinged Access	1 1/4"	24"	14"	YPSI1424F	603.	632.	663.	693.	723.
	For 27"D Tops w/o Hinged Access	1 1/4"	27"	14"	YPSI1427F	622.	653.	685.	715.	747.
	For 30"D Tops w/o Hinged Access	1 1/4"	30"	14"	YPSI1430F	636.	667.	698.	731.	762.
	For 36"D Tops w/o Hinged Access	1 1/4"	36"	14"	YPSI1436F	672.	706.	739.	775.	808.

 Full Depth Intermediate Screen, 49" High Horizon	For 18"D Tops w/o Hinged Access	1 1/4"	19"	21"	YPSI2118F	595.	624.	653.	684.	713.
	For 24"D Tops w/o Hinged Access	1 1/4"	24"	21"	YPSI2124F	631.	663.	695.	727.	757.
	For 27"D Tops w/o Hinged Access	1 1/4"	27"	21"	YPSI2127F	645.	677.	709.	741.	775.
	For 30"D Tops w/o Hinged Access	1 1/4"	30"	21"	YPSI2130F	662.	695.	728.	761.	794.
	For 36"D Tops w/o Hinged Access	1 1/4"	36"	21"	YPSI2136F	739.	777.	814.	851.	888.

 Partial Depth Intermediate Screen, 42" High Horizon	For 24"D Tops with Hinged Access	1 1/4"	16"	14"	YPSI1416F	564.	592.	620.	648.	675.
	For 27"D Tops with Hinged Access	1 1/4"	19"	14"	YPSI1419F	583.	613.	642.	671.	700.
	For 30"D Tops with Hinged Access	1 1/4"	22"	14"	YPSI1422F	595.	624.	653.	684.	713.
	For 36"D Tops with Hinged Access	1 1/4"	28"	14"	YPSI1428F	618.	649.	681.	710.	741.

 Partial Depth Intermediate Screen, 49" High Horizon	For 24"D Tops with Hinged Access	1 1/4"	16"	21"	YPSI2116F	580.	609.	639.	667.	696.
	For 27"D Tops with Hinged Access	1 1/4"	19"	21"	YPSI2119F	596.	625.	654.	685.	714.
	For 30"D Tops with Hinged Access	1 1/4"	22"	21"	YPSI2122F	620.	651.	684.	714.	744.
	For 36"D Tops with Hinged Access	1 1/4"	28"	21"	YPSI2128F	643.	674.	707.	739.	771.

Ordering Information

- Intermediate Screens**
1. Pattern Number
 2. Fabric Finish
 3. Bracket Paint Finish

Order Code

Intermediate Screens	
<i>Example:</i> YPSI2124F, Y351	
YPS	Screen
I	Intermediate
21	Height
24	Depth
F	Fabric
Y351	Foundation

Included With

Intermediate Screens
 Brackets
 Hardware


Options

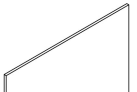
Intermediate Screens
 The price of screens specified with a combination of fabrics is the higher of the two fabric grades.

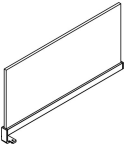
Intermediate Screens

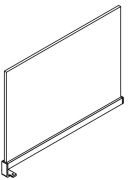
Laminate, Markerboard, Veneer or Glass

For 42" or 49" High Horizon

description	type	w	d	h	pattern no.	Laminate (L)	Marker-board (LM)	V1 (V)	V2 (V)	V3 (V)	Clear Glass (GTEMP)	Power Glass (GGL13)	Grey Tinted Glass (GGL35)
	For 18"D Tops w/o Hinged Access	1/2"	18"	14"	YPSI1418()	\$205.	\$269.	\$517.	\$597.	\$688.	\$267.	\$361.	\$458.
	For 24"D Tops w/o Hinged Access	1/2"	24"	14"	YPSI1424()	235.	340.	566.	640.	758.	325.	450.	579.
	For 27"D Tops w/o Hinged Access	1/2"	27"	14"	YPSI1427()	245.	352.	562.	656.	784.	356.	497.	643.
	For 30"D Tops w/o Hinged Access	1/2"	30"	14"	YPSI1430()	258.	364.	580.	684.	829.	387.	546.	708.
	For 36"D Tops w/o Hinged Access	1/2"	36"	14"	YPSI1436()	276.	413.	609.	725.	899.	439.	629.	823.

	For 18"D Tops w/o Hinged Access	1/2"	18"	21"	YPSI2118()	220.	316.	539.	633.	763.	320.	455.	593.
	For 24"D Tops w/o Hinged Access	1/2"	24"	21"	YPSI2124()	256.	417.	563.	658.	785.	392.	572.	753.
	For 27"D Tops w/o Hinged Access	1/2"	27"	21"	YPSI2127()	268.	426.	598.	718.	903.	427.	631.	838.
	For 30"D Tops w/o Hinged Access	1/2"	30"	21"	YPSI2130()	281.	441.	617.	744.	948.	467.	695.	921.
	For 36"D Tops w/o Hinged Access	1/2"	36"	21"	YPSI2136()	302.	493.	641.	785.	1,027.	533.	803.	1,075.

	For 24"D Tops w/ Hinged Access	1/2"	16"	14"	YPSI1416()	193.	256.	502.	576.	658.	241.	326.	414.
	For 27"D Tops w/ Hinged Access	1/2"	19"	14"	YPSI1419()	207.	287.	521.	602.	698.	271.	371.	476.
	For 30"D Tops w/ Hinged Access	1/2"	22"	14"	YPSI1422()	216.	296.	537.	625.	740.	299.	417.	537.
	For 36"D Tops w/ Hinged Access	1/2"	28"	14"	YPSI1428()	239.	345.	583.	706.	898.	356.	504.	655.

	For 24"D Tops w/ Hinged Access	1/2"	16"	21"	YPSI2116()	207.	303.	521.	610.	725.	290.	410.	534.
	For 27"D Tops w/ Hinged Access	1/2"	19"	21"	YPSI2119()	224.	345.	538.	636.	769.	327.	470.	616.
	For 30"D Tops w/ Hinged Access	1/2"	22"	21"	YPSI2122()	235.	355.	555.	661.	814.	363.	529.	698.
	For 36"D Tops w/ Hinged Access	1/2"	28"	21"	YPSI2128()	262.	421.	595.	716.	908.	430.	643.	858.

Ordering Information

- Intermediate Screens**
1. Pattern Number
 2. Surface Finish
 3. Bracket Paint Finish

Order Code

Intermediate Screens	
<i>Example:</i>	YPSI2124L, 118, 118T
YPS	Screen
I	Intermediate
21	Height
24	Depth
L	Laminate
118	Bright White Laminate
118T	Bright White Paint

Included With

- Intermediate Screens**
- Brackets
 - Hardware

Options

Intermediate Screens

Finish Options

- (L) = Laminate
- (LM) = Markerboard
- (V) = Veneer
- (GTEMP) = Clear Glass
- (GGL13) = Powder Glass
- (GGL35) = Grey Tinted Glass

End Screens for Dual Big Table

Planning Guidelines and Specifications

End screens provide partial enclosure for the end of an Antenna big table, from a starting point 10 1/2" above the floor to a horizon of 42" or 49". The 10 1/2" starting point aligns with suspended files or cabinets. The 42" and 49" horizons correspond to center screens and stanchion mounted cabinets.

End screens are available in widths to align with the front edges of dual big tables with 18", 24", 27", 30" or 36" deep tops.

End screens include brackets to the ends of the big table tops in the space above end legs. Brackets create a 1 1/4" cord drop space between the ends of the tops and the inside face of the screen. End screens cannot be planned in combination with end panels.

End screens are available in laminate, marker, veneer or fabric surfaces. Laminate and veneer end screens are 3/4" thick, with matching color frameless edges.

Fabric end screens are 1 1/4" thick, with painted perimeter frame capturing a wood structural core and tackable fabric wrapped inserts on each face.

Construction

Frameless screens are 3/4" MDF-core construction, with threaded metal inserts at bracket locations. Screens include solid cast aluminum brackets and attachment hardware.

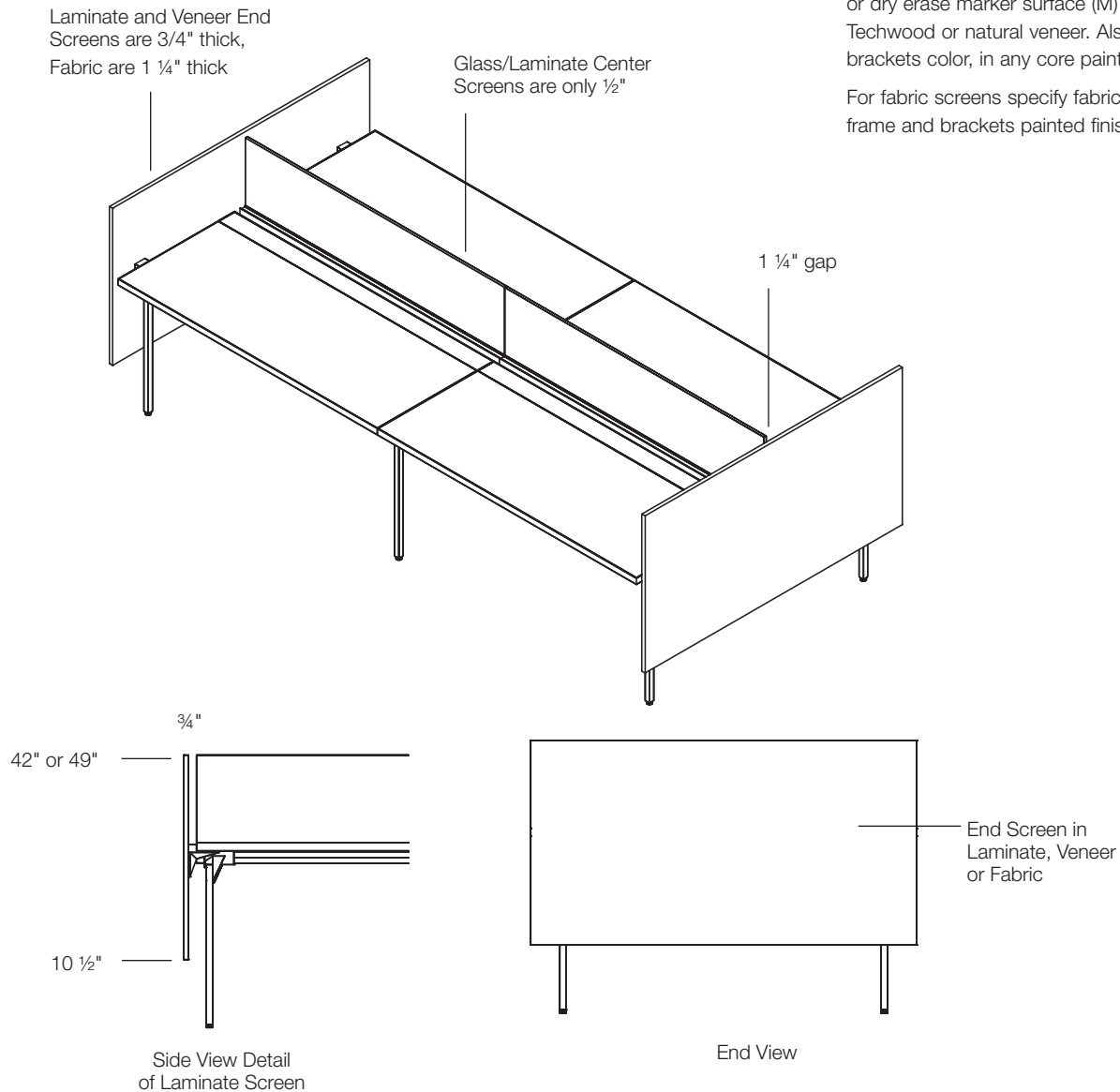
Laminate screens have 0.8mm ABS edge on four sides. Veneer screens feature vertical grain direction and 2.4 mm veneer edge.

Fabric screens have a 1/2" MDF core, with 3/8" thick tackable PET material inserts in each side wrapped in fabric and aluminum perimeter frame with seamless corners. Fabric screens have threaded metal inserts at bracket locations.

Specification Options

For end screens specify surface type: laminate (L) or veneer (V), any core laminate or dry erase marker surface (M) or any core Techwood or natural veneer. Also specify brackets color, in any core painted finish.

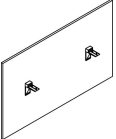
For fabric screens specify fabric, perimeter frame and brackets painted finishes.

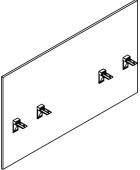


End Screens for Dual Big Table

Fabric

For 42" or 49" Horizons

description	type	w	d	h	pattern no.	grade						
						10	20	30	40	45	50	55
 End Screens to 42"H	For 18"D dual	41 1/2"	1 1/4"	32"	YPSB3241F	\$835.	\$877.	\$919.	\$960.	\$1,002.	\$1,044.	\$1,087.
	For 24"D dual	53 1/2"	1 1/4"	32"	YPSB3253F	871.	915.	958.	1,002.	1,046.	1,090.	1,133.
	For 27"D dual	59 1/2"	1 1/4"	32"	YPSB3259F	922.	969.	1,015.	1,061.	1,107.	1,153.	1,199.
	For 30"D dual	65 1/2"	1 1/4"	32"	YPSB3265FRR	1,071.	1,124.	1,179.	1,232.	1,285.	1,339.	1,393.
	For 36"D dual	77 1/2"	1 1/4"	32"	YPSB3277FRR	1,143.	1,200.	1,258.	1,314.	1,371.	1,429.	1,486.

 End Screens to 49"H	For 18"D dual	41 1/2"	1 1/4"	38"	YPSB3841F	902.	947.	982.	1,037.	1,082.	1,128.	1,173.
	For 24"D dual	53 1/2"	1 1/4"	38"	YPSB3853F	949.	996.	1,044.	1,092.	1,139.	1,187.	1,234.
	For 27"D dual	59 1/2"	1 1/4"	38"	YPSB3859F	1,006.	1,056.	1,106.	1,156.	1,206.	1,257.	1,307.
	For 30"D dual	65 1/2"	1 1/4"	38"	YPSB3865FRR	1,169.	1,227.	1,285.	1,344.	1,402.	1,461.	1,519.
	For 36"D dual	77 1/2"	1 1/4"	38"	YPSB3877FRR	1,245.	1,308.	1,370.	1,432.	1,494.	1,557.	1,619.

Ordering Information

End Screens

1. Pattern Number
2. Inside Fabric Finish
3. Outside Fabric Finish
4. Frame Paint Finish
5. Bracket Paint Finish

Order Code

End Screens

Example: **YPSB3241F, W351, 32, 41, F, W351, 118T, 118T**

YPSB	End Screen
32	Height
41	Width
F	Fabric
W351	Foundation
W351	Foundation
118T	Bright White Paint
118T	Bright White Paint

Included With

End Screens
Brackets
Hardware

Options

End Screens

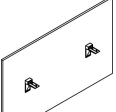
The price of screens specified with a combination of fabrics is the higher of the two fabric grades.


(RR) = Fabric is applied railroaded

End Screens for Dual Big Table

Laminate, Markerboard or Veneer

For 42" or 49" Horizons

description	type	w	d	h	pattern no.	Laminate (L)	Marker-board (LM)	V1 (V)	V2 (V)	V3 (V)	
	End Screens to 42"H	For 18"D dual	41 1/2"	3/4"	32"	YPSB3241()	\$435.	\$679.	\$858.	\$953.	\$1,465.
	For 24"D dual	53 1/2"	3/4"	32"	YPSB3253()	462.	1,091.	924.	1,039.	1,681.	
	For 27"D dual	59 1/2"	3/4"	32"	YPSB3259()	613.	1,099.	1,003.	1,118.	1,827.	
	For 30"D dual	65 1/2"	3/4"	32"	YPSB3265()	715.	1,201.	1,115.	1,252.	2,024.	
	For 36"D dual	77 1/2"	3/4"	32"	YPSB3277()	736.	1,222.	1,181.	1,338.	2,241.	

	End Screens to 49"H	For 18"D dual	41 1/2"	3/4"	38"	YPSB3841()	450.	694.	897.	1,008.	1,611.
	For 24"D dual	53 1/2"	3/4"	38"	YPSB3853()	482.	1,109.	983.	1,119.	1,877.	
	For 27"D dual	59 1/2"	3/4"	38"	YPSB3859()	633.	1,120.	1,056.	1,204.	2,039.	
	For 30"D dual	65 1/2"	3/4"	38"	YPSB3865()	737.	1,223.	1,196.	1,358.	2,271.	
	For 36"D dual	77 1/2"	3/4"	38"	YPSB3877()	764.	1,252.	1,260.	1,446.	2,512.	

Ordering Information

Intermediate Screens

1. Pattern Number
2. Surface Finish
3. Bracket Paint Finish

Order Code

Intermediate Screens

Example: **YPSI2124L, 118, 118T**

YPS	Screen
I	Intermediate
21	Height
24	Depth
L	Laminate
118	Bright White Laminate
118T	Bright White Paint

Included With

Intermediate Screens

- Brackets
- Hardware

Options

Intermediate Screens

Finish Options

- (L) = Laminate
- (LM) = Markerboard
- (V) = Veneer

Fence Screens

Planning Guidelines and Specifications

Fence Screens

Fence screens provide enclosure above either height fence to a horizon of 42" or 49", which aligns with upmounted storage cabinets. Fence mounted screens have wedge shape base and can be secured to the fence with bolts into mounting locations every 3" along the center of the crown.

Screens are available from 24"-48" wide in 6" increments, plus 60" and 72" widths.

Two types of screens are available:

- Frameless laminate, marker surface, veneer or glass screens are 1/2" thick with matching edge and crisp, eased corners. Base fits flush with top of fence crown.
- Fabric screens are 1 1/4" thick, with painted perimeter frame capturing a wood structural core and tackable, fabric wrapped inserts on each face.

Construction

Frameless laminate or veneer screens are 1/2" MDF construction. Frameless glass screens are 1/2" tempered glass with polished edges.

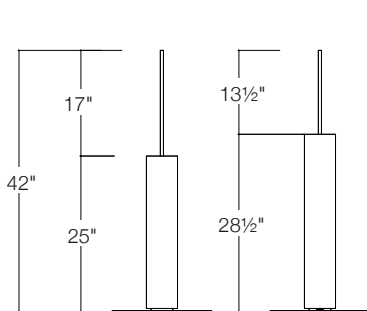
Fabric screens have a 1/2" MDF core, with 3/8" thick tackable PET material inserts on each side wrapped in fabric, and aluminum perimeter frame with seamless corners.

Specification Options

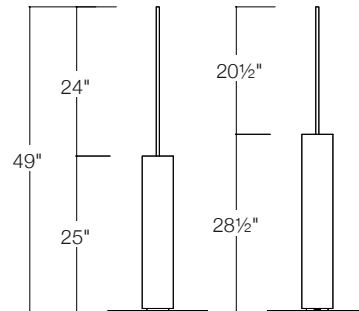
To specify fence screens identify fence height (25" or 28") and desired horizon (42" or 49" high).

For frameless screens specify surface type: laminate (L) or veneer (V) or glass (G); finish, any core laminate or dry-erase marker surface (M), any core Techwood or natural veneer, or core glass finishes. Brushed Sand (122) and Brushed Grey (123) are not available on laminate screens. Also specify base color, in any core paint finish.

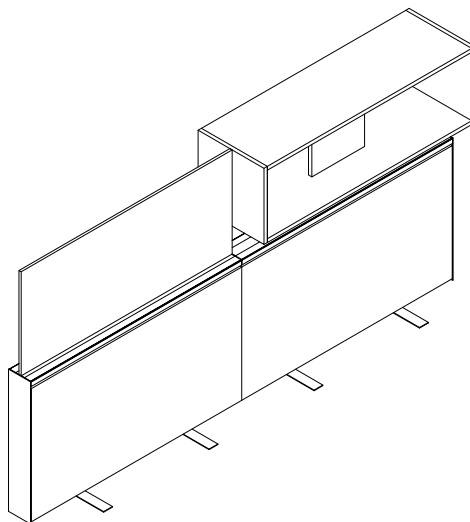
For fabric screens specify fabric, perimeter frame and bracket painted finishes.



Fence with Screens, 42" High Horizon



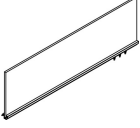
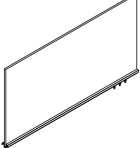


Fence with Screens, 49" High Horizon



Screen and Cabinet Align at 49"H

Fabric

For 25" and 28" High Fence, 42" and 49" High Horizon

description	w	d	h	pattern no.	list	10	20	30	40	45
Fabric Screens for 25" High Fence, 42" High Horizon 	24"	1 1/4"	17"	YPSF1724F	n/a	\$570.	\$599.	\$626.	\$654.	\$684.
	36"	1 1/4"	17"	YPSF1736F	n/a	648.	681.	714.	747.	778.
	48"	1 1/4"	17"	YPSF1748F	n/a	717.	753.	789.	825.	861.
	60"	1 1/4"	17"	YPSF1760F	n/a	757.	795.	832.	871.	909.
	72"	1 1/4"	17"	YPSF1772FRR	n/a	849.	891.	934.	977.	1,020.
Fabric Screens for 25" High Fence, 49" High Horizon 	24"	1 1/4"	24"	YPSF2424F	n/a	620.	651.	684.	714.	744.
	36"	1 1/4"	24"	YPSF2436F	n/a	752.	789.	827.	865.	903.
	48"	1 1/4"	24"	YPSF2448F	n/a	820.	862.	904.	943.	984.
	60"	1 1/4"	24"	YPSF2460F	n/a	895.	940.	984.	1,029.	1,073.
	72"	1 1/4"	24"	YPSF2472FRR	n/a	998.	1,049.	1,098.	1,149.	1,198.
Fabric Screens for 28" High Fence, 42" High Horizon 	24"	1 1/4"	14"	YPSF1424F	n/a	544.	573.	601.	626.	654.
	36"	1 1/4"	14"	YPSF1436F	n/a	614.	645.	675.	705.	736.
	48"	1 1/4"	14"	YPSF1448F	n/a	677.	711.	744.	779.	812.
	60"	1 1/4"	14"	YPSF1460F	n/a	718.	753.	789.	825.	861.
	72"	1 1/4"	14"	YPSF1472FRR	n/a	792.	831.	871.	911.	950.
Fabric Screens for 28" High Fence, 49" High Horizon 	24"	1 1/4"	21"	YPSF2124F	n/a	598.	626.	656.	687.	716.
	36"	1 1/4"	21"	YPSF2136F	n/a	718.	753.	789.	825.	861.
	48"	1 1/4"	21"	YPSF2148F	n/a	775.	814.	852.	890.	930.
	60"	1 1/4"	21"	YPSF2160F	n/a	844.	886.	929.	970.	1,011.
	72"	1 1/4"	21"	YPSF2172FRR	n/a	958.	1,006.	1,055.	1,101.	1,150.
Fabric Screen Fillers for Fence	24"			YPSFF24	58.	n/a	n/a	n/a	n/a	n/a
	36"			YPSFF36	81.	n/a	n/a	n/a	n/a	n/a
	48"			YPSFF48	104.	n/a	n/a	n/a	n/a	n/a
	60"			YPSFF60	126.	n/a	n/a	n/a	n/a	n/a
	72"			YPSFF72	150.	n/a	n/a	n/a	n/a	n/a

Ordering Information

Big Table Screens

1. Pattern Number
2. Fabric Finish
3. Frame Paint Finish

Order Code

Big Table Screenss

Example: **YPSC1448F, W351, 118T**

YPSC	Big Table Center Screen
14	Height
48	Width
F	Fabric
W351	Foundation
118T	Bright White Paint

Included With

Big Table Screens
Brackets
Hardware

Options


Big Table Screens


The price of screens specified with a combination of fabrics is the higher of the two fabric grades.


(RR) Fabric is applied railroaded.


Laminate, Markerboard, Veneer or Glass

For 25" and 28" High Fence, 42" and 49" High Horizon

description	w	d	h	pattern no.	Laminate (L)	Markerboard (LM)	V1 (V)	V2 (V)	V3 (V)	Clear Glass (GTEMP)	Powder Glass (GL13)	Grey Tinted Glass (GGL35)
Screens for 25" High Fence, 42" High Horizon 	24"	1/2"	17"	YPSF1724()	\$261.	\$388.	\$558.	\$667.	\$884.	\$357.	\$532.	\$673.
	36"	1/2"	17"	YPSF1736()	317.	529.	626.	771.	1,091.	480.	739.	967.
	48"	1/2"	17"	YPSF1748()	460.	911.	716.	895.	1,314.	620.	970.	1,272.
	60"	1/2"	17"	YPSF1760()	505.	953.	811.	1,022.	1,544.	755.	1,190.	1,580.
	72"	1/2"	17"	YPSF1772()	550.	987.	884.	1,130.	1,752.	889.	1,413.	1,877.

Screens for 25" High Fence, 49" High Horizon 	24"	1/2"	24"	YPSF2424()	282.	613.	617.	749.	1,041.	439.	691.	877.
	36"	1/2"	24"	YPSF2436()	353.	646.	705.	882.	1,310.	592.	970.	1,265.
	48"	1/2"	24"	YPSF2448()	443.	1,583.	796.	1,019.	1,585.	766.	1,269.	1,661.
	60"	1/2"	24"	YPSF2460()	503.	1,630.	912.	1,182.	1,888.	932.	1,560.	2,061.
	72"	1/2"	24"	YPSF2472()	656.	1,665.	1,011.	1,326.	2,175.	1,099.	1,853.	2,451.

Screens for 28" High Fence, 42" High Horizon 	24"	1/2"	14"	YPSF1424()	240.	313.	544.	644.	821.	336.	491.	586.
	36"	1/2"	14"	YPSF1436()	289.	416.	608.	733.	996.	450.	684.	842.
	48"	1/2"	14"	YPSF1448()	403.	687.	680.	831.	1,180.	583.	892.	1,105.
	60"	1/2"	14"	YPSF1460()	448.	729.	779.	959.	1,388.	710.	1,097.	1,372.
	72"	1/2"	14"	YPSF1472()	492.	758.	847.	1,056.	1,572.	838.	1,302.	1,627.

Screens for 28" High Fence, 49" High Horizon 	24"	1/2"	21"	YPSF2124()	263.	392.	581.	705.	959.	398.	610.	791.
	36"	1/2"	21"	YPSF2136()	322.	414.	648.	811.	1,187.	536.	854.	1,136.
	48"	1/2"	21"	YPSF2148()	464.	915.	751.	952.	1,448.	693.	1,118.	1,494.
	60"	1/2"	21"	YPSF2160()	510.	959.	844.	1,088.	1,703.	844.	1,377.	1,854.
	72"	1/2"	21"	YPSF2172()	559.	993.	938.	1,221.	1,960.	994.	1,635.	2,206.

Ordering Information

- Fence Screens**
 1. Pattern Number
 2. Surface Finish
 3. Bracket Paint Finish

Order Code

Fence Screens	
<i>Example:</i>	YPSF1448V, V316, 118T
YPSF	Fence Screen
14	Height
48	Width
V	Veneer
V316	Maple
118T	Bright White Paint

Included With

- Fence Screens**
 Brackets
 Hardware

Options

- Fence Screens**
Finish Options:
 (L) = Laminate
 (LM) = Markerboard
 (V) = Veneer
 (GTEMP) = Clear Glass
 (GGL13) = Powder Glass
 (GGL35) = Grey Tinted Glass

S Screens

Planning Guidelines and Specifications

S Screens

S screens attach to the back of a desktop to provide enclosure both above and below the desktop. The distinctive curved profile transitions from the 10 1/2" high vertical modesty panel to a horizontal transaction surface at the 42" horizon.

The screen desk mount brackets enable a full 1 1/4" cord drop space between the back edge of the top and the inside of the screen.

Sapper monitor arms should not be used on the back edge of desk tops with S screens

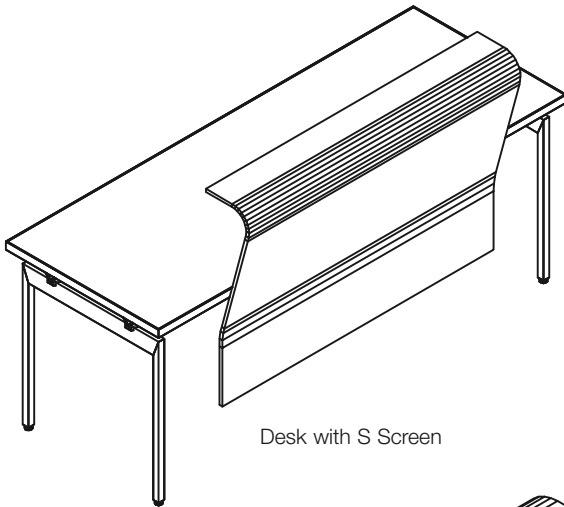
Construction

S screens are 1/2" thick plywood core with applied laminate on both faces and clear finish on side edges.

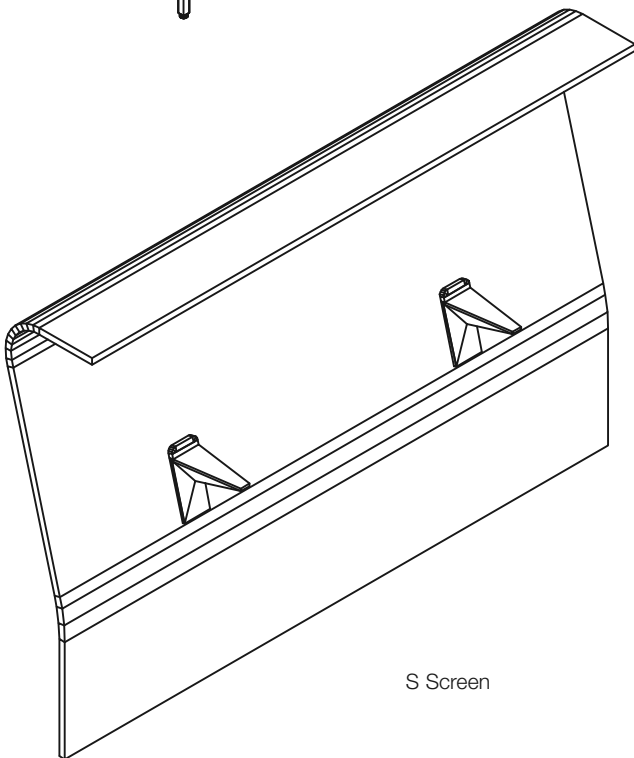
Specification Options

S screens are available in White or Folkstone laminate.

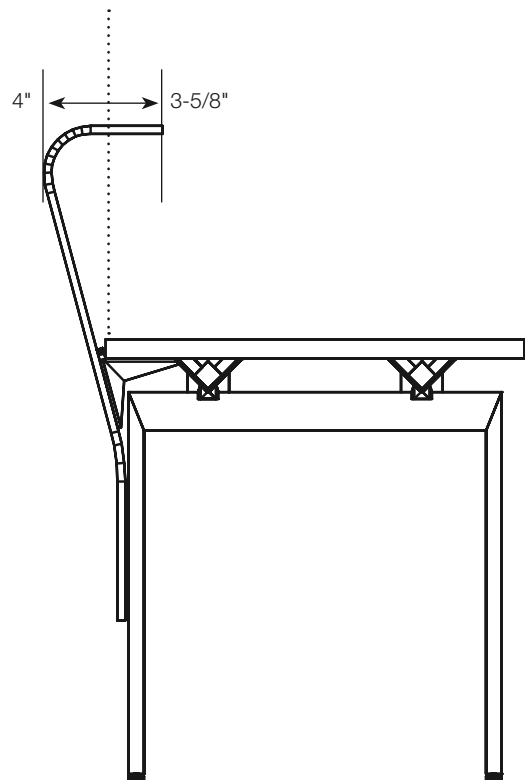
Specify mounting brackets in any Knoll Core paint finish.



Desk with S Screen



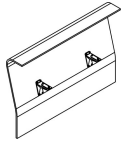
S Screen



Desk with S Screen End Elevation

S Screens
Laminate
For 42" High Horizon

description	type	w	d	h	pattern no.	Laminate (L)
S Screen	For Attachment to Desk	48"	7 1/2"	32"	YPSS3248()	\$1,281.



Ordering Information

S Screens

1. Pattern Number
2. Surface Finish
3. Bracket Paint Finish

Order Code

S Screens

Example: **YPSS3248L**

YPS	Screen
S	S Shape
32	Height
48	Width
L	Laminate
118	Bright White Laminate
118T	Bright White Paint

Included With

S Screens

Attachment brackets
 Hardware

S Screen

Material Finish Options:
 (L) = Laminate

S Screens are available in the following finishes:

- (118) Bright White Laminate
- (114) Folkstone Grey Laminate

Floorstanding Desk Mounted Screens

Floorstanding desk mounted L screens are available in 42" and 49" high horizons creating two different privacy level options.

L screens are designed to wrap around a corner of a desk, with a 36" or 48"W panel generally along the back edge of the desk, and a 12" or 18"W panel along part of the side of the desk top. Both sides are bracketed to the underside of the top, and are also supported by adjustable levelers at the floor. Desk mount brackets are included for stability.

L screens are handed, so, for example, the left hand version of a 36" wide by 18" deep screen has the 18" wide panel on the left and

the 36" wide panel on the right, from a seated position at the desk. Right hand version has the 18" wide panel on the right and the 36" wide panel on the left, from a seated position.

The L screen corner bracket should be specified when planning an L screen to surround a pedestal supported desktop. A floorstanding pedestal can block access to the standard screen bracket at the end of the top. The brace is installed 25 1/4" above the floor (immediately above floorstanding pedestal height) to join the two panels of the L together. Then the two screen brackets that normally connect each of the panels now are both installed on the long side of the

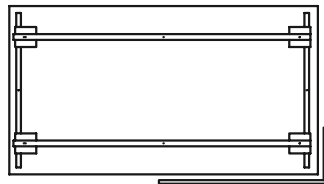
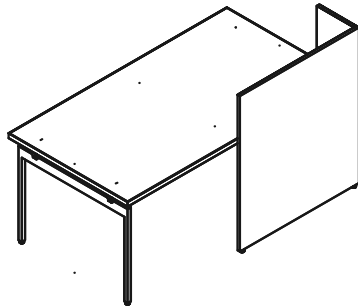
L, to the back side of the top. The bracket is for the most part concealed by the top, though visible just below the 1 1/4" deep cord drop around the corner of the desktop.

Construction

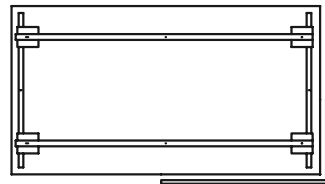
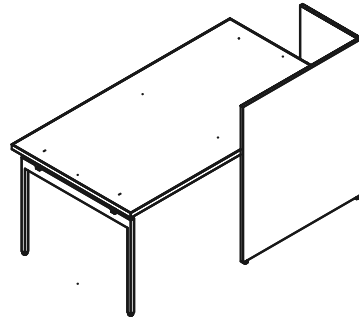
Floorstanding screens are 3/4" MDF construction with surface laminate or veneer on all faces, and 1" diameter levelers with 1 1/2" travel. The L screen corner bracket is die cast aluminum.

Specification Options

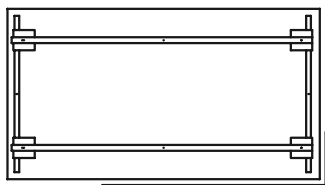
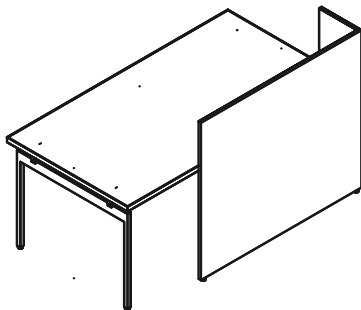
For L screen specify vertical surface type (L or V) and finish in any core laminate or veneer, and bracket finish in any core paint finish. The L screen corner bracket can be specified in any Core paint finish.



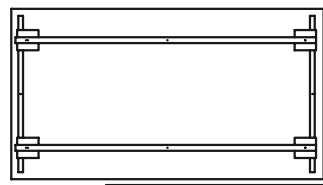
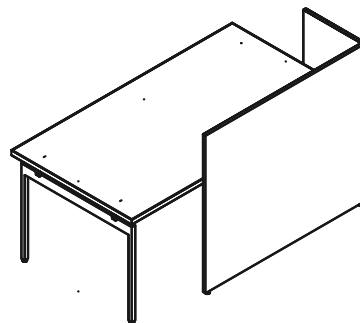
42" High 36" Wide 12" Deep
L Screen, Left End of Desk



42" High 36" Wide 18" Deep
L Screen, Left End of Desk



42" High 48" Wide 12" Deep
L Screen, Left End of Desk

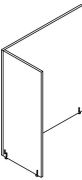
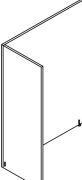


42" High 48" Wide 18" Deep
L Screen, Left End of Desk

Floorstanding Desk Screens

Laminate and Veneer L-Screens

42" and 49" High

description	type	w	d	h	pattern no.	list	Laminate (L)	V1 (V)	V2 (V)	V3 (V)
 <p>42" High L Screens</p>	Left End of Desk	36"	12"	42"	YSFSL423612()	n/a	\$574.	\$1,032.	\$1,187.	\$1,603.
	Left End of Desk	36"	18"	42"	YSFSL423618()	n/a	574.	1,032.	1,187.	1,603.
	Left End of Desk	48"	12"	42"	YSFSL424812()	n/a	689.	1,239.	1,425.	1,923.
	Left End of Desk	48"	18"	42"	YSFSL424818()	n/a	689.	1,239.	1,425.	1,923.
	Right End of Desk	36"	12"	42"	YSFSR423612()	n/a	574.	1,032.	1,187.	1,603.
	Right End of Desk	36"	18"	42"	YSFSR423618()	n/a	574.	1,032.	1,187.	1,603.
	Right End of Desk	48"	12"	42"	YSFSR424812()	n/a	689.	1,239.	1,425.	1,923.
	Right End of Desk	48"	18"	42"	YSFSR424818()	n/a	689.	1,239.	1,425.	1,923.
	<i>Left Shown</i>									
 <p>49" High L Screens</p>	Left End of Desk	36"	12"	49"	YSFSL493612()	n/a	689.	1,239.	1,425.	1,923.
	Left End of Desk	36"	18"	49"	YSFSL493618()	n/a	689.	1,239.	1,425.	1,923.
	Left End of Desk	48"	12"	49"	YSFSL494812()	n/a	826.	1,491.	1,716.	2,315.
	Left End of Desk	48"	18"	49"	YSFSL494818()	n/a	826.	1,491.	1,716.	2,315.
	Right End of Desk	36"	12"	49"	YSFSR493612()	n/a	689.	1,239.	1,425.	1,923.
	Right End of Desk	36"	18"	49"	YSFSR493618()	n/a	689.	1,239.	1,425.	1,923.
	Right End of Desk	48"	12"	49"	YSFSR494812()	n/a	826.	1,491.	1,716.	2,315.
	Right End of Desk	48"	18"	49"	YSFSR494818()	n/a	826.	1,491.	1,716.	2,315.
	<i>Left Shown</i>									
L Screen Corner Bracket	For L Screen Applications with Pedestals				YSFSB	36.	n/a	n/a	n/a	n/a

Ordering Information

- L Screen**
1. Pattern Number
 2. Vertical Surface Finish
 3. Bracket Paint Finish

Order Code

L Screens	
<i>Example:</i>	YSFSL423618L, 118, 118T
YSFS	L Screen
L	Left Hand
42	Height
36	Width
18	Depth
L	Laminate
118	Bright White Laminate
118T	Bright White Paint

Included With

Floorstanding Screens
Brackets
Hardware

Options

Floorstanding Screens Finish Options:
(L)=Laminate
(V)=Veneer

Antenna Storage

Antenna storage comprises a broad scope of storage options for suspended files, books and binders, coats and secure storage of personal items and electronics. The scope includes both metal and wood construction, desk mounted, stanchion supported, wall mounted and floorstanding components. Antenna storage is finished on all sides to define work areas, complement individual workspaces and articulate group work and activity areas.

Storage for desks includes pedestals, laptop drawers, suspended, desk-height and floorstanding extension cabinets. Desk extension cabinets are also available for the ends of a big table.

For big tables and Fence, storage options also include stanchion mounted platform shelves and storage cabinets.

For offices and team spaces, Antenna storage cabinets and shelves can be wall mounted or floorstanding.

For group meeting or activity spaces, shelf cabinets can be freestanding storage walls for privacy or space definition.

Antenna Storage Surfaces and Options

Antenna storage components may be finished in a monolithic painted, laminate or veneer surface. Suspended and stanchion mounted open storage cabinets can also be specified in a contrasting interior color laminate. Interior laminate options include core laminates and five accent laminate colors. Storage with enclosed fronts can be specified with painted or laminate case and wood or contrasting core laminate front.

Pulls for Drawers and Doors

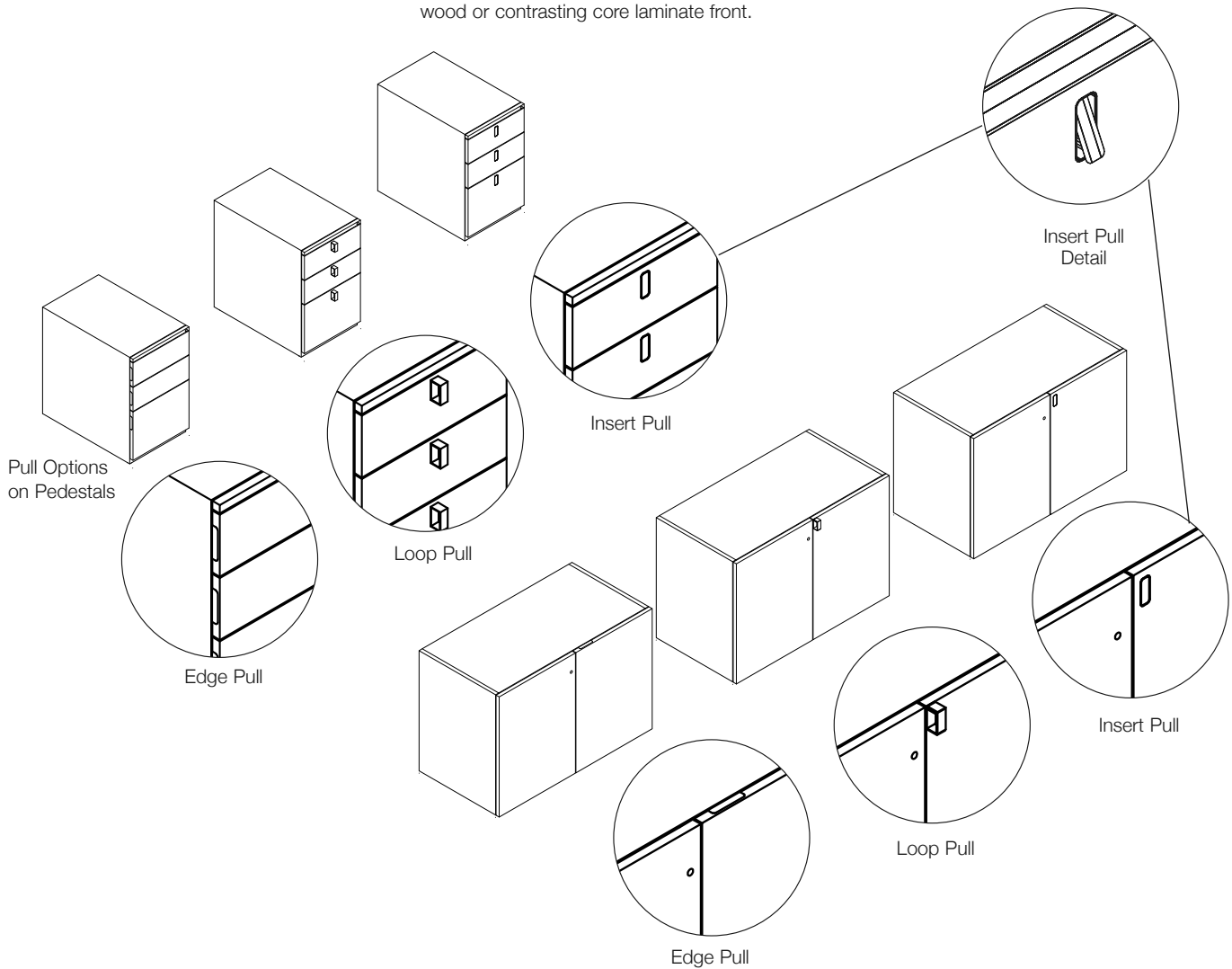
Pedestals and suspended file and hinged door fronts are available with three pull profiles:

Edge pull, a discreet recess in left and right hand edges of drawers and top edge of doors is available in chrome (PD) finish or in any Knoll core paint finish, Dark Red (131) or Slate Blue (132).

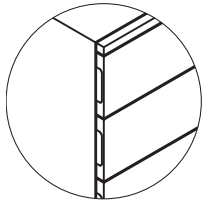
Insert pull, a fingertip hinged tab flush with the front is available in a chrome (PD) finish.

Loop pull, a small open square loop on the surface of the front is available in a chrome (PD) finish or in any Knoll core paint finish, Dark Red (131) or Slate Blue (132).

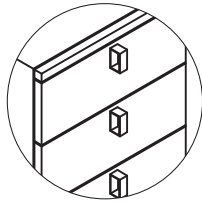
Sliding door fronts include a discreet vertical pull in any Knoll core paint finish.



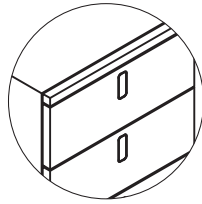
Pedestal Drawer Pull Options



Edge Pull

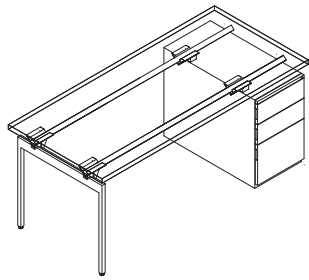


Loop Pull

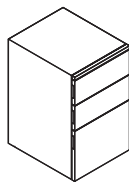


Insert Pull

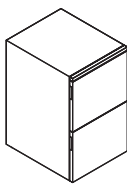
Floorstanding Pedestals



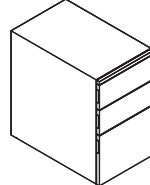
Antenna Desk with Righthanded Floorstanding Pedestal



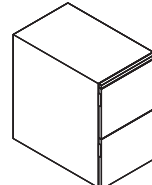
Box/Box/File Pedestal 18" Deep



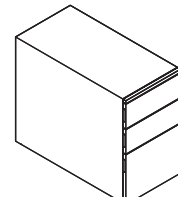
File/File Pedestal 18" Deep



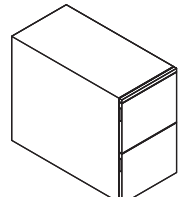
Box/Box/File Pedestal 24" Deep



File/File Pedestal 24" Deep

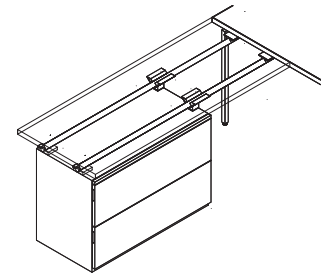


Box/Box/File Pedestal 30" Deep

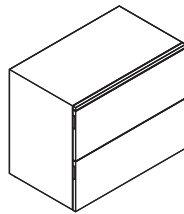


File/File Pedestal 30" Deep

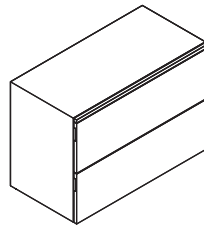
Floorstanding and Freestanding Double Wide Pedestals



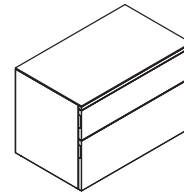
Antenna Desk with Double Wide Pedestal



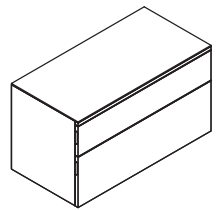
File/File Double Wide Pedestal 30" Wide



File/File Double Wide Pedestal 36" Wide

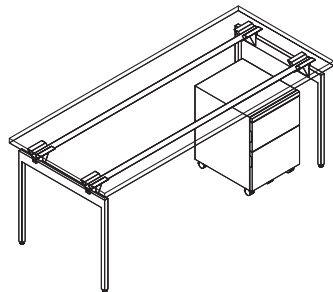


Data/File Double Wide Pedestal 30" Wide

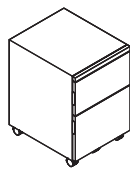


Data/File Double Wide Pedestal 36" Wide

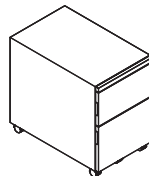
Mobile Pedestals



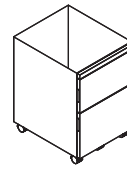
Antenna Desk with Personal/File Mobile Pedestal



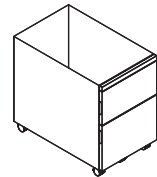
Personal/File Mobile Pedestal 18" Deep



Personal/File Mobile Pedestal 24" Deep



Personal/File Mobile Pedestal with Open Top for Seat Pad 18" Deep



Personal/File Mobile Pedestal with Open Top for Seat Pad 24" Deep

Pedestals

Floorstanding

Planning Guidelines and Specifications

Floorstanding Pedestals

Floorstanding pedestals provide fixed location storage under a desk or return.

Pedestals are 25" high steel cabinets in file/ file or box/box/file configurations that are sized to fit below and connect to desk rails. Floorstanding pedestals can take the place of a leg, in combination with YBATE25 pedestal adapter kit and appropriate ballast, to support one end of a desk top. Ballast kits are required for stability of freestanding desk applications, but may not be required where other end of desk is connected to Fence or perpendicular desk. Ballast kits are available in specific weights for each pedestal depth.

Positioning brackets (YSFA) stabilize and maintain position of floorstanding 25" high pedestals under desk or big table rails when the pedestal is not integrated into the desk structure. Positioning brackets enable floorstanding pedestals to mount adjacent to end legs or other floorstanding pedestals that are connected to the desk with YBATE25 brackets. They are also applicable under bridge tops or tops supported by Fence or Template storage. Positioning brackets fasten with screws into the holes in the top of the pedestal corresponding to desk support rails, or they may be adhered in position under the rails of a big table (adhesive not included in kit).

Ballast kits are still recommended for most floorstanding pedestal but positioning brackets may make ballast unnecessary for pedestals in multiple-position big tables.

Metal pedestals are available in painted steel case with painted wood, laminate or veneer fronts.

Pencil trays can be specified along with pedestals. The five section pencil tray rides on drawer sides of box or file drawers.

Construction

Floorstanding pedestals include full painted steel surround with no seams at back corners, flat steel top, full extension drawer slides and leveling glides with 2" range. Steel top is specified to have mounting holes for adapter kit on right or left side. Actual case height is 24" and stands 1" above the floor. Actual case width is 15" and depths are 17 1/2", 23 1/2", and 29 1/2".

File drawers on 18"D cabinets are 12"W x 15"D and support letter or legal suspended file folders. File drawers on 24"D and 30"D cabinets are 12"W x 21"D and include a divider to enable full depth letter or side to side legal suspended filing.

Box drawers are 5"H x 12"W x 15" or 21"D and can support Knoll universal pencil tray (specified separately).

Pencil trays are plastic injection molded construction, 13 1/4" wide, 5 7/16" deep and 7/8" high.

Specification Options

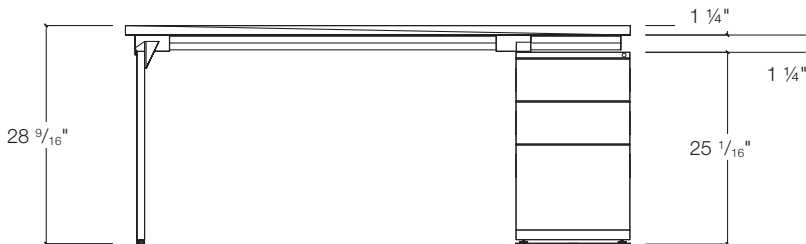
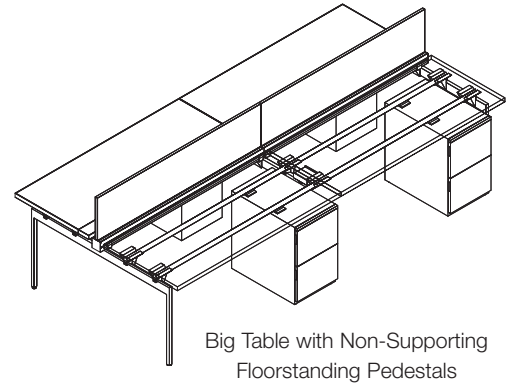
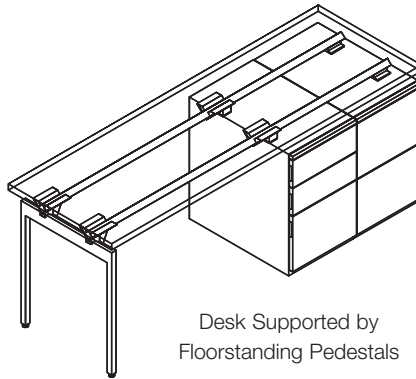
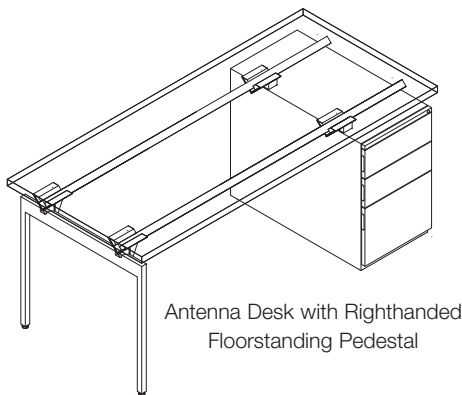
Specify either a left or right mounting position for correct location of holes in the top of the pedestal for connection to desk support adapter brackets. Specify top without holes for freestanding applications under desk rails with positioning brackets YSPA. Front is available either painted (P), laminate (L) or veneer (V). Pedestals can be locking (L) or non-locking (N).

Case is available in any Knoll Core paint finish. Drawer fronts may be specified in any Knoll Core paint, laminate or veneer finish.

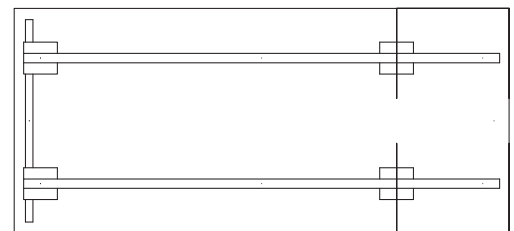
Specify pull type: Edge (E), Insert (I) or Loop (O). Edge pulls are available in any Knoll Core paint finish, Dark Red, Slate Blue or in Chrome (PD). Loop pulls are available in any Knoll Core paint finish, Dark Red or Slate Blue. Insert pulls are available in Chrome (PD).

Desk support adapters and pedestal positioning brackets are available in any Knoll Core paint finish, Dark Red or Slate Blue.

Pencil trays are available in either a black or clear finish.



Righthanded Floorstanding Pedestal Elevation



Righthanded Floorstanding Pedestal in Plan

Pedestals

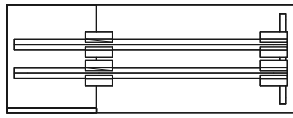
Floorstanding Applications

18"D pedestals can be used under an 18"D return or under a 24"D desk top or return with 1 1/2" inset in front and 5" space at back.

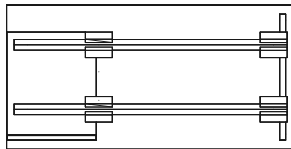
24"D pedestals can be used under 24"D tops flush with front and back, under 27"D tops with a 1 1/2" inset front and a 2" inset back, or under 30"D tops with a 1 1/2" inset front and 5" in back.

30"D pedestals can be used under 30"D tops, flush with front and back, or under 36"D tops with 1 1/2" in front and 5" in back.

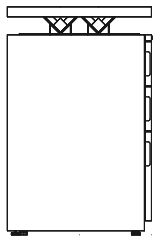
18" Deep Pedestal Applications



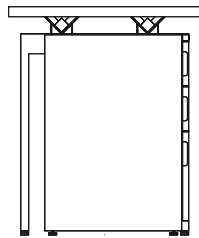
18"D Pedestal with 18"D Top in Plan



18"D Pedestal with 24"D Top in Plan

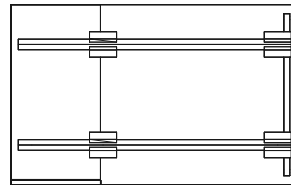


18"D Pedestal with 18"D Top End Elevation

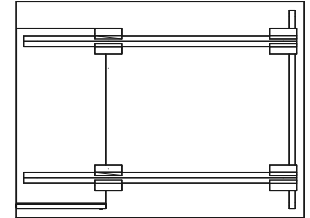


18"D Pedestal with 24"D Top End Elevation

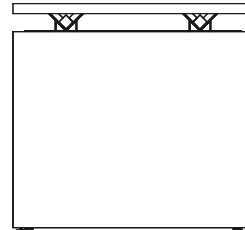
30" Deep Pedestal Applications



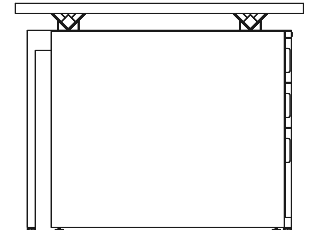
30"D Pedestal with 30"D Top in Plan



30"D Pedestal with 36"D Top in Plan

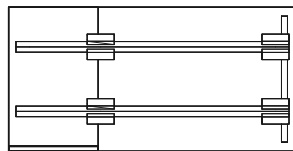


30"D Pedestal with 30"D Top End Elevation

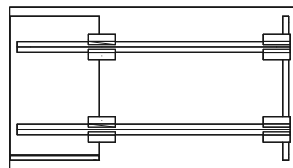


30"D Pedestal with 36"D Top End Elevation

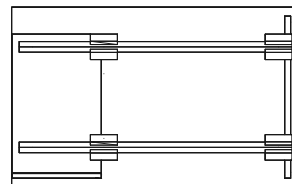
24" Deep Pedestal Applications



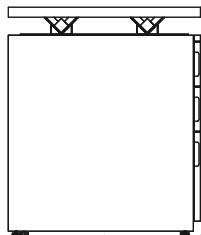
24"D Pedestal with 24"D Top in Plan



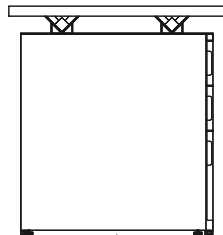
24"D Pedestal with 27"D Top in Plan



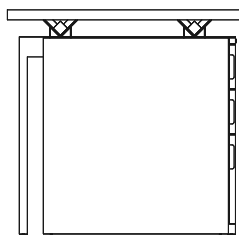
24"D Pedestal with 30"D Top in Plan



24"D Pedestal with 24"D Top End Elevation



24"D Pedestal with 27"D Top End Elevation

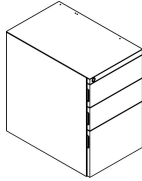
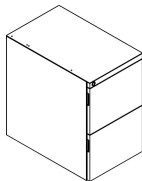


24"D Pedestal with 30"D Top End Elevation

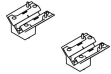
Pedestals

Floorstanding

18", 24" and 30" Deep

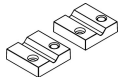
description	type	w	d	h	pattern no.	list	Painted Fronts (P)	Laminate Fronts (L)	V1 Fronts (V)	V2 Fronts (V)	V3 Fronts (V)
	For Left 18" Deep Desk Mount	15"	17 1/2"	25"	YSFBBF18L()L	\$0.	\$1,333.	\$1,432.	\$1,508.	\$1,553.	\$1,687.
	For Left 24" Deep Desk Mount	15"	23 1/2"	25"	YSFBBF24L()L	0.	1,445.	1,499.	1,572.	1,617.	1,758.
	For Left 30" Deep Desk Mount	15"	29 1/2"	25"	YSFBBF30L()L	0.	1,474.	1,528.	1,603.	1,646.	1,787.
	For Right 18" Deep Desk Mount	15"	17 1/2"	25"	YSFBBF18R()L	0.	1,333.	1,432.	1,508.	1,553.	1,687.
	For Right 24" Deep Desk Mount	15"	23 1/2"	25"	YSFBBF24R()L	0.	1,445.	1,499.	1,572.	1,617.	1,758.
	For Right 30" Deep Desk Mount	15"	29 1/2"	25"	YSFBBF30R()L	0.	1,474.	1,528.	1,603.	1,646.	1,787.
	No holes on top 18" Deep	15"	17 1/2"	25"	YSFBBF18N()L	0.	1,333.	1,432.	1,508.	1,553.	1,687.
	No holes on top 24" Deep	15"	23 1/2"	25"	YSFBBF24N()L	0.	1,445.	1,499.	1,572.	1,617.	1,758.
	No holes on top 30" Deep	15"	29 1/2"	25"	YSFBBF30N()L	0.	1,474.	1,528.	1,603.	1,646.	1,787.
	For Left 18" Deep Desk Mount	15"	17 1/2"	25"	YSFFF18L()L	0.	1,141.	1,254.	1,310.	1,384.	1,518.
	For Left 24" Deep Desk Mount	15"	23 1/2"	25"	YSFFF24L()L	0.	1,235.	1,307.	1,368.	1,447.	1,583.
	For Left 30" Deep Desk Mount	15"	29 1/2"	25"	YSFFF30L()L	0.	1,265.	1,336.	1,567.	1,603.	1,670.
	For Right 18" Deep Desk Mount	15"	17 1/2"	25"	YSFFF18R()L	0.	1,141.	1,254.	1,310.	1,384.	1,518.
	For Right 24" Deep Desk Mount	15"	23 1/2"	25"	YSFFF24R()L	0.	1,235.	1,307.	1,368.	1,447.	1,583.
	For Right 30" Deep Desk Mount	15"	29 1/2"	25"	YSFFF30R()L	0.	1,265.	1,336.	1,567.	1,603.	1,670.
	No holes on top 18" Deep	15"	17 1/2"	25"	YSFFF18N()L	0.	1,141.	1,254.	1,310.	1,384.	1,518.
	No holes on top 24" Deep	15"	23 1/2"	25"	YSFFF24N()L	0.	1,235.	1,307.	1,368.	1,447.	1,583.
	No holes on top 30" Deep	15"	29 1/2"	25"	YSFFF30N()L	0.	1,265.	1,336.	1,567.	1,603.	1,670.
Floorstanding Pedestal Ballast/ Counterweight	For 18" or 30" Deep Pedestal				YSFB18	126.	0.	0.	0.	0.	0.
	For 24" Deep Pedestal				YSFB24	200.	0.	0.	0.	0.	0.

Pedestal Desk Support Adapters (pair)	For use with 25" High Pedestal	4"	3"	3"	YBATE25	97.	0.	0.	0.	0.	0.
---------------------------------------	--------------------------------	----	----	----	----------------	-----	----	----	----	----	----



(YBATE25 shown)

Pedestal Positioning Brackets	Includes 2 brackets and hardware				YSFA	16.	0.	0.	0.	0.	0.
-------------------------------	----------------------------------	--	--	--	-------------	-----	----	----	----	----	----



Ordering Information

Floorstanding Pedestal

1. Pattern Number
2. Case Finish
3. Front Finish
4. Pull Type
5. Pull Finish

Pedestal Desk Support Adapters

1. Pattern Number
2. Paint Finish

Order Code

Floorstanding Pedestal

Example: YSFBBF24LPL, 118T, 118T, E, 118T

YFPBBF Box/Box/File Pedestal

24 Depth

L Left Mount

P Painted Front

L Lock

118T Bright White Case

118T Bright White Front

E Edge Pull

118T Bright White Pull

Included With

Floorstanding Pedestal

Glides
File Rails
(24" and 30" Deep Only)

Desk adapter brackets and pencil trays sold separately.

Pedestal Desk Support Adapters Hardware

Lock Options:

To specify a floorstanding pedestal without a lock, replace the "L" suffix in the pattern number with an "N".

Options

Floorstanding

Drawer Front Finish Options:

(P)=Painted
(L)=Laminated
(V)=Veneer

Drawer Front Pull Options:

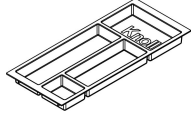
(E)=Edge Pull
(I)=Insert Pull
(O)=Loop Pull

Add \$40 to the list price when a pull is specified with a painted finish.

See planning guide page for drawer pull finish options.

Pedestals
Floorstanding
18", 24" and 30" Deep

description	type	w	d	h	pattern no.	list	Painted Fronts (P)	Laminate Fronts (L)	V1 Fronts (V)	V2 Fronts (V)	V3 Fronts (V)
Pencil Tray	Black Finish	13 1/4"	5 7/8"	7/8"	YAPTN	\$41.	\$0.	\$0.	\$0.	\$0.	\$0.
	Clear Finish	13 1/4"	5 7/8"	7/8"	YAPTC	48.	0.	0.	0.	0.	0.



Ordering Information

Floorstanding Pedestal

1. Pattern Number
2. Case Finish
3. Front Finish
4. Pull Type
5. Pull Finish

Pedestal Desk Support Adapters

1. Pattern Number
2. Paint Finish

Order Code

Floorstanding Pedestal

Example: YSFBBF24LPL, 118T, 118T, E, 118T

YPFBBF Box/Box/File Pedestal
24 Depth

L Left Mount

P Painted Front

L Lock

118T Bright White Case

118T Bright White Front

E Edge Pull

118T Bright White Pull

Included With

Floorstanding Pedestal

Glides
 File Rails
 (24" and 30" Deep Only)

Desk adapter brackets and pencil trays sold separately.

Pedestal Desk Support Adapters
 Hardware

Lock Options:

To specify a floorstanding pedestal without a lock, replace the "L" suffix in the pattern number with an "N".

Options

Floorstanding

Drawer Front Finish Options:

(P)=Painted
 (L)=Laminate
 (V)=Veneer

Drawer Front Pull Options:

(E)=Edge Pull
 (I)=Insert Pull
 (O)=Loop Pull

Add \$40 to the list price when a pull is specified with a painted finish.

See planning guide page for drawer pull finish options.

Pedestals

Floorstanding and Freestanding Double Wide Planning Guidelines and Specifications

Freestanding Double Wide Pedestals

Antenna Data/File and File/File double wide pedestals are 30" or 36" wide, sized to fit below or connect to Antenna desk support rails.

Double wide pedestals are available without any holes on top for entirely freestanding applications, or when using YSFA positioning bracket on top to hold a freestanding file/file pedestal in position under desk rails.

Ballast kit is required in all freestanding applications.

Floorstanding Double Wide Pedestals

Antenna File/File Double wide pedestals are just 25" high, and can take the place of a leg by using bracket kit YBAW25, and appropriate ballast, to support one end of a desk or return top 18" or 24" deep. Floorstanding pedestals are specified with pre-drilled attachment positions on either the right or left side of the top of the cabinet.

For 27" or deeper tops an end leg should be specified next to a freestanding pedestal.

All double wide pedestals include an interlock to prevent both drawers from opening at the same time.

Ballast kits are required for stability of pedestal-supported freestanding credenzas, but are not required where other end of top is connected to Fence or perpendicular desk. Ballast kits are available in specific weights for each pedestal width.

Construction

Double wide pedestals include steel surround with no seams at back corners, flat steel top, full extension drawer slides and 3" leveling glides. Steel top is specified to have holes for adapter kit to mount to 18" or 24" depth top or to have no holes for freestanding applications.

File drawers in 30" wide cabinets are actual 27" wide x 15" deep. File drawers in 36" wide cabinets are actual 33" wide x 15"D. All double wide pedestals include four front to back file support rails for letter or legal suspended file folders.

Actual case widths are 30" and 36" and depths are 17 1/2". File/file case height is 24"; Data/file case height is 20". Starting point for glides is typically 1" extension, with up to 1 1/2" additional leveling available.

Metal pedestals are available in painted steel case with painted wood, laminate or veneer fronts.

Specification Options

Specify planning application for attachment to 18" or 24" deep top (18 or 24) or freestanding (N).

Front is available painted (P), laminate (L) or veneer (V).

Pedestals can be locking (L) or without lock (N).

Case is available in any Knoll Core paint finish.

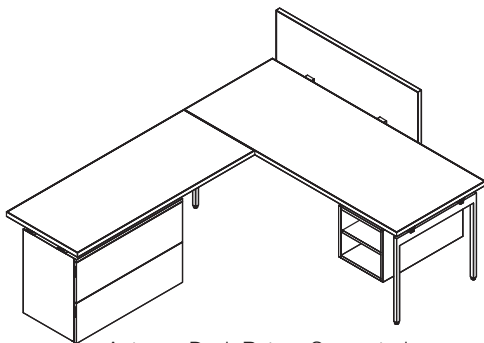
Drawer fronts may be specified in any Knoll Core paint, laminate or veneer finish.

Specify pull type: Edge (E), Insert (I) or Loop (O).

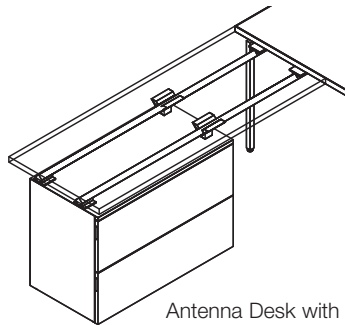
Edge pulls are available in any Knoll Core paint finish, Dark Red, Slate Blue or in Chrome (PD). Loop pulls are available in any Knoll Core paint finish, Dark Red or Slate Blue.

Insert pulls are available in Chrome (PD) only.

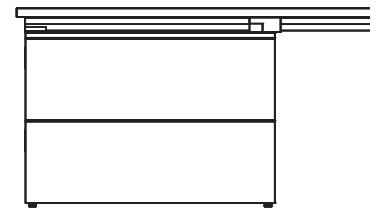
Desk support adapters and pedestal positioning brackets are available in any Knoll Core paint finish, Dark Red or Slate Blue.



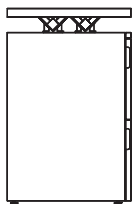
Antenna Desk Return Supported by Double Wide Pedestal



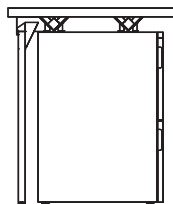
Antenna Desk with Double Wide Pedestal



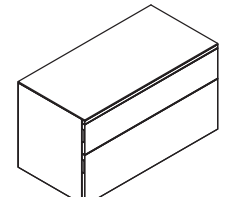
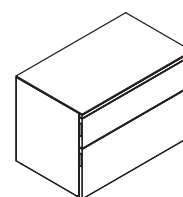
Double Wide Pedestal Front Elevation



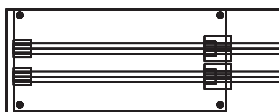
18"D Double Wide Pedestal with 18"D Top End Elevation



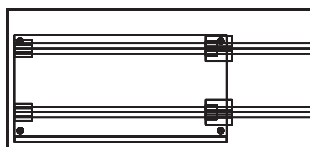
18"D Double Wide Pedestal with 24"D Top End Elevation



Data/File Double Wide Pedestal, 30" or 36"



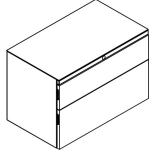
18"D Double Wide Pedestal with 18"D Top in Plan



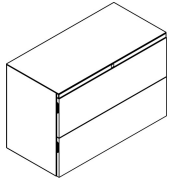
18"D Double Wide Pedestal with 24"D Top in Plan

*Floorstanding and Freestanding Double Wide
30" or 36" Wide*

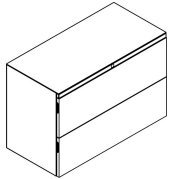
description	type	w	d	h	pattern no.	list	Painted Fronts (P)	Laminate Fronts (L)	V1 Fronts (V)	V2 Fronts (V)	V3 Fronts (V)
Freestanding Data/File Double Wide Pedestals	For use with Counterweight	30"	17 1/2"	21"	YSFWDF30N()L	n/a	\$1,697.	\$1,830.	\$2,002.	\$2,148.	\$2,441.
	For use with Counterweight	36"	17 1/2"	21"	YSFWDF36N()L	n/a	1,910.	2,068.	2,272.	2,451.	2,800.



Freestanding File/File Double Wide Pedestals	For use with Counterweight	30"	17 1/2"	25"	YSFWFF30N()L	n/a	1,836.	1,979.	2,165.	2,324.	2,638.
	For use with Counterweight	36"	17 1/2"	25"	YSFWFF36N()L	n/a	2,065.	2,238.	2,457.	2,650.	3,029.



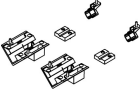
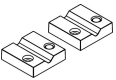
Floorstanding Desk Support File/File Double Wide Pedestals	30"W For use with 18" Deep Top	30"	17 1/2"	25"	YSFWFF3018()L	n/a	1,836.	1,979.	2,165.	2,324.	2,638.
	30"W For use with 24" Deep Top	30"	17 1/2"	25"	YSFWFF3024()L	n/a	1,836.	1,979.	2,165.	2,324.	2,638.
	36"W For use with 18" Deep Top	36"	17 1/2"	25"	YSFWFF3618()L	n/a	2,065.	2,238.	2,457.	2,650.	3,029.
	36"W For use with 24" Deep Top	36"	17 1/2"	25"	YSFWFF3624()L	n/a	2,065.	2,238.	2,457.	2,650.	3,029.



Ordering Information	Order Code	Included With	Options
Floorstanding Pedestal 1. Pattern Number 2. Case Finish 3. Front Finish 4. Pull Type 5. Pull Finish	Floorstanding Pedestal <i>Example:</i> YSFWFF3018PL, 118T, 118T, E, 118T <hr/> YSFWFF File/File Double Wide Pedestal <hr/> 30 Width <hr/> 18 Top Depth <hr/> P Painted Front <hr/> L Lock <hr/> 118T Bright White Case <hr/> 118T Bright White Front <hr/> E Edge Pull <hr/> 118T Bright White Pull	Floorstanding Pedestal Glides File Rails Desk adapter brackets and pencil trays sold separately. Double Wide Pedestal Desk Support Adapters Hardware Lock Options: To specify a floorstanding pedestal without a lock, replace the "L" suffix in the pattern number with an "N".	Floorstanding Drawer Front Finish Options: (P)=Painted (L)=Laminate (V)=Veneer Drawer Front Pull Options: (E)=Edge Pull (I)=Insert Pull (O)=Loop Pull Add \$40 to the list price when a pull is specified with a painted finish. See planning guide page for drawer pull finish options.

Pedestals

Floorstanding and Freestanding Double Wide Pedestal Accessories

description	type	w	d	h	pattern no.	list
Double Wide Pedestal	For 30" Wide Pedestal				YSFWB30	\$320.
Ballast/Counterweight	For 36" Wide Pedestal				YSFWB36	385.
Double Wide Pedestal Desk Support Adapters (pair)	For use with Double Wide Pedestal	4"	3"	3"	YBAW25	126.
						
Pedestal Positioning Brackets	Includes 2 brackets and hardware				YSFA	16.
						

Ordering Information	Order Code	Included With	Options
Floorstanding Pedestal 1. Pattern Number 2. Case Finish 3. Front Finish 4. Pull Type 5. Pull Finish	Floorstanding Pedestal <i>Example:</i> YSFWFF3018PL, 118T, 118T, E, 118T YSFWFF File/File Double Wide Pedestal	Floorstanding Pedestal Glides File Rails Desk adapter brackets and pencil trays sold separately.	Floorstanding Drawer Front Finish Options: (P)=Painted (L)=Laminate (V)=Veneer
Double Wide Pedestal Desk Support Adapters 1. Pattern Number 2. Paint Finish	30 Width 18 Top Depth P Painted Front L Lock 118T Bright White Case 118T Bright White Front E Edge Pull 118T Bright White Pull	Double Wide Pedestal Desk Support Adapters Hardware Lock Options: To specify a floorstanding pedestal without a lock, replace the "L" suffix in the pattern number with an "N".	Drawer Front Pull Options: (E)=Edge Pull (I)=Insert Pull (O)=Loop Pull Add \$40 to the list price when a pull is specified with a painted finish. See planning guide page for drawer pull finish options.

Pedestals

Mobile

Planning Guidelines and Specifications

Mobile Pedestals

Mobile pedestals offer flexibility in location, and include locking casters for stability where located. Metal pedestals are available in painted steel case with painted wood, laminate or veneer fronts. Mobile pedestals may be specified with flat steel top or without a top, for use with optional seat pad tops.

Mobile pedestals are available in combination of one 7"H data file drawer, and one 11"H standard suspended file drawer with a "fifth wheel" for stability. Data drawer can support Knoll universal pencil tray (specified separately) and is tall enough to contain DVD "jewel" cases vertically.

Pencil trays can be specified along with pedestals. The five section pencil tray rides on drawer sides of box or file drawers.

Seat cushions are specified separately for mobile pedestals with an open top. Seat cushions are upholstered from the front to the back of the pedestal with the fabric direction matching the textile sample.

Construction

Mobile pedestals include full painted steel surround with no seams at back corners, full extension file drawer slides and ¾ extension data drawer slides, two locking and two non-locking 1 ½" diameter casters, plus caster under file drawer. Actual case height is 20" and stands 2" above the floor. Actual case width is 15" and depths are 17 ½" or 23 ½".

File drawer on 18"D mobile pedestals are 12"W x 15"D and support letter or legal suspended file folders.

File drawer on 24"D mobile pedestals are 12"W x 21"D and include a divider to enable full depth letter or side to side legal suspended filing

Data drawers are 6"H x 12"W x 15" or 21"D.

Pencil trays are plastic injection molded construction, 13 ¼" wide, 5-7/16" deep and 7/8" high.

Specification Options

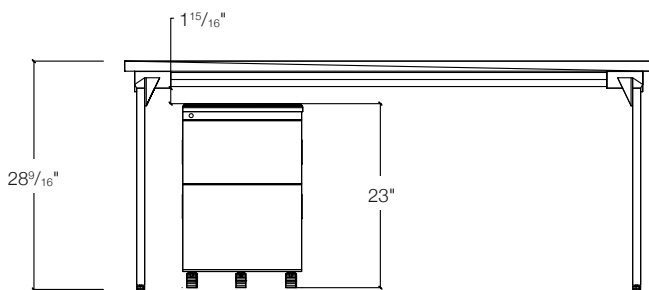
Front is available either painted (P), laminate (L) or veneer (V). Pedestals include lock (L) on upper left corner of pedestal to facilitate moving pedestal.

Case is available in any Knoll Core paint finish. Drawer fronts may be specified in any Knoll Core paint, laminate or veneer finish.

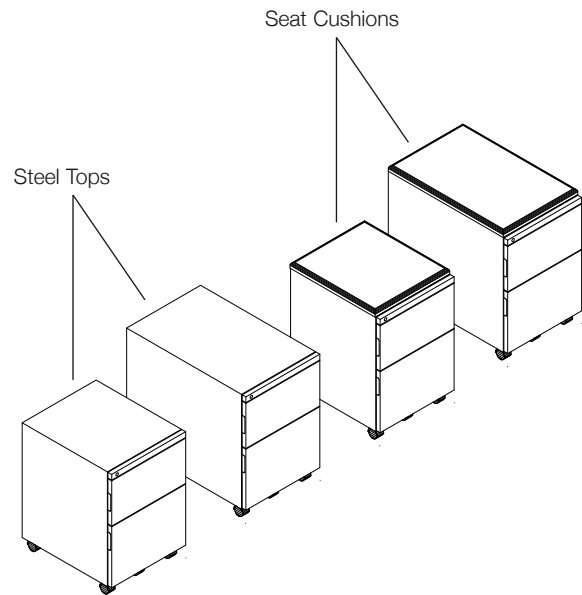
Specify pull type: Edge (E), Insert (I) or Loop (O). Edge pulls are available in any Knoll Core paint finish, Dark Red, Slate Blue or in Chrome (PD). Loop pulls are available in any Knoll Core paint finish, Dark Red or Slate Blue. Insert pulls are available in Chrome (PD).

Seat cushions may be specified in any Antenna approved textile. For Customers Own Material (COM) applications, specify .75 yards of fabric for 17" deep mobile pedestal seat cushion, and .90 yards for 23" deep seat cushion.

Pencil trays are available in either a black or clear finish.



Antenna Desk with Mobile Pedestal Elevation



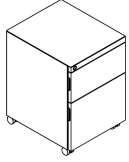
Mobile Pedestal Options

Pedestals

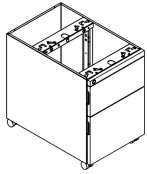
Mobile

18" and 24" Deep

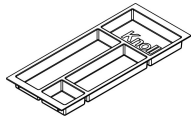
description	type	w	d	h	pattern no.	list	Painted Fronts (P)	Laminate Fronts (L)	V1 Fronts (V)	V2 Fronts (V)	V3 Fronts (V)
Mobile Personal/File Pedestals, Full Top	18" Deep Pedestal	15"	18"	22"	YSMPDF18()L	\$0.	\$1,122.	\$1,252.	\$1,326.	\$1,417.	\$1,475.
	24" Deep Pedestal	15"	24"	22"	YSMPDF24()L	0.	1,273.	1,307.	1,521.	1,616.	1,677.



Mobile Personal/File Pedestals, Open Top for Seat Pad	18" Deep Pedestal	15"	18"	22"	YSMOPDF18()L	0.	1,065.	1,193.	1,289.	1,382.	1,435.
	24" Deep Pedestal	15"	24"	22"	YSMOPDF24()L	0.	1,199.	1,232.	1,476.	1,568.	1,632.



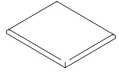
Pencil Tray		w	d	h	pattern no.	list	Painted Fronts (P)	Laminate Fronts (L)	V1 Fronts (V)	V2 Fronts (V)	V3 Fronts (V)
	Black Finish	13 1/4"	5 7/8"	7/8"	YAPT	41.	0.	0.	0.	0.	0.
	Clear Finish	13 1/4"	5 7/8"	7/8"	YAPTC	48.	0.	0.	0.	0.	0.



Ordering Information	Order Code	Included With	Options
Mobile Pedestal 1. Pattern Number 2. Case Finish 3. Front Finish 4. Pull Type 5. Pull Finish	Mobile Pedestal <i>Example:</i> YSMPDF18PL, 118T, 118T, E, 118T YSMPDF Personal/File Pedestal 18 Depth P Painted Front L Lock 118T Bright White Painted Case 118T Bright White Painted Front E Edge Pull 118T Bright White Painted Pull	Mobile Pedestal (5) Casters File Rails (24" and 30" Deep Only) Specify seat pad for open top mobile pedestal separately. Pencil trays sold separately.	Mobile Pedestal Drawer Front Finish Options: (P)=Painted (L)=Laminate (V)=Veneer Drawer Front Pull Options: (E)=Edge Pull (I)=Insert Pull (O)=Loop Pull Add \$40 to the list price when a pull is specified with a painted finish. See planning guide page for drawer pull finish options. Lock Options: To specify a floorstanding pedestal without a lock, replace the "L" suffix in the pattern number with an "N".

Pedestals
Seat Cushions
18" and 24" Deep

description	type	w	d	h	pattern no.	A	B	C	D	E	F	G	H	I
Seat Cushions	For 18" Deep Mobile Pedestal	15"	17"	1"	YSSPAD	\$204.	\$236.	\$268.	\$282.	\$298.	\$330.	\$361.	\$410.	\$424.
	For 24" Deep Mobile Pedestal	15"	23"	1"	YSDPAD	251.	282.	330.	345.	377.	410.	455.	503.	520.



Ordering Information

Seat Cushions

1. Pattern Number
2. Fabric Finish

Order Code

Seat Cushions

Example: **YSSPAD, Y351**

YS Storage

S 18" Deep

PAD Cushion

Y351 Foundation

Included With

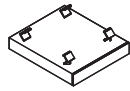
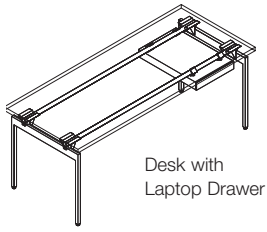
Seat Cushions

Options

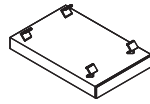
Seat Cushions

For CAL133 backing on the cushion, add \$77 to the list price.

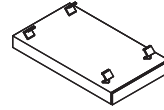
Laptop Drawer



21" Deep
(24" or 27" Deep Top)

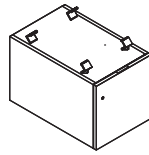


27" Deep
(30" Deep Top)

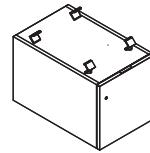


30" Deep
(36" Deep Top)

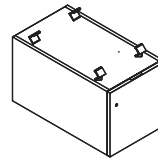
Suspended Wood Files



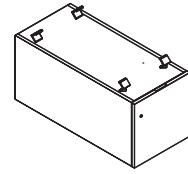
24" Deep Desk



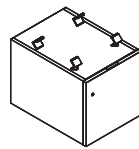
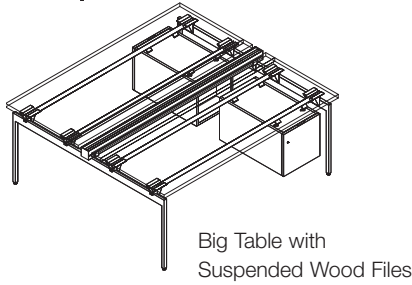
27" Deep Desk



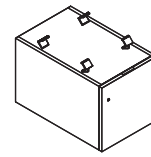
30" Deep Desk



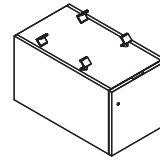
36" Deep Desk



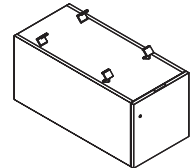
24" Deep Big Table



27" Deep Big Table

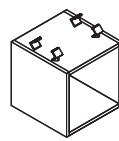
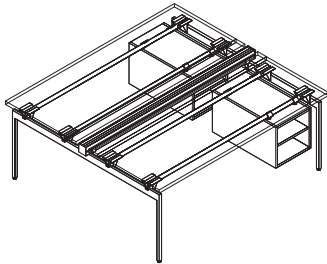
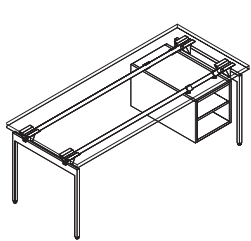


30" Deep Big Table

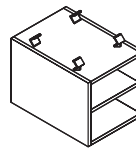


36" Deep Big Table

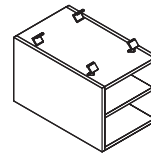
Suspended Open Cabinet with Front and Back Access



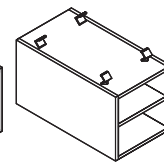
18" Deep



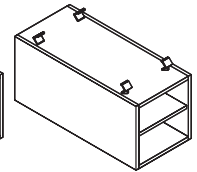
24" Deep



27" Deep

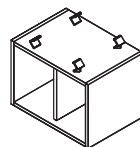
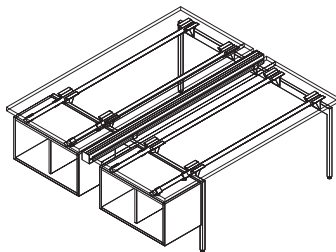
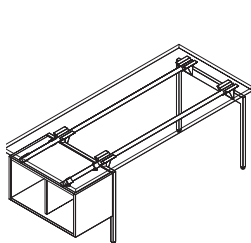


30" Deep

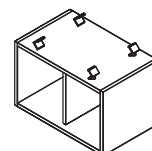


36" Deep

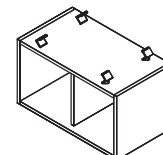
Suspended Open Cabinet with Side Access



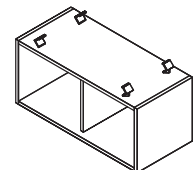
24" Deep



27" Deep

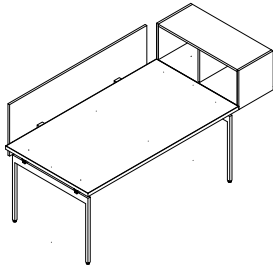


30" Deep

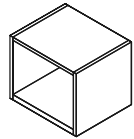


36" Deep

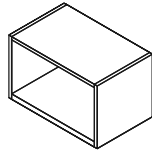
Desk Extension Cabinets



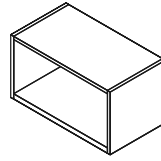
Above Desk Extension Cabinet Front



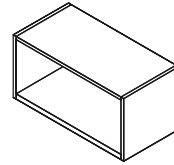
Above Desk Extension Cabinet
18" Deep



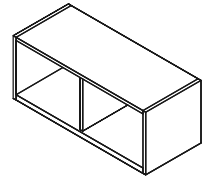
Above Desk Extension Cabinet
24" Deep



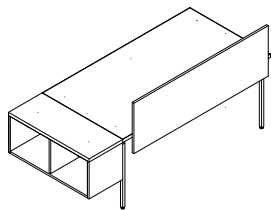
Above Desk Extension Cabinet
27" Deep



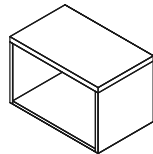
Above Desk Extension Cabinet
30" Deep



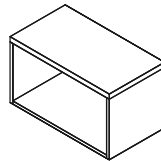
Above Desk Extension Cabinet
36" Deep



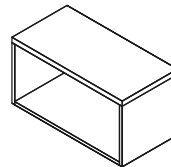
Below Desk Extension Cabinet Back



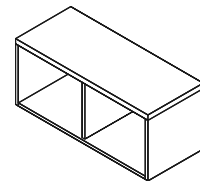
Below Desk Extension Cabinet
24" Deep



Below Desk Extension Cabinet
27" Deep

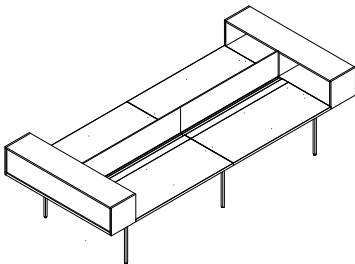


Below Desk Extension Cabinet
30" Deep

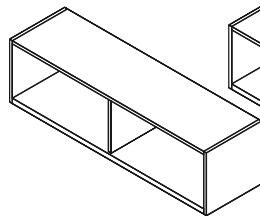


Below Desk Extension Cabinet
36" Deep

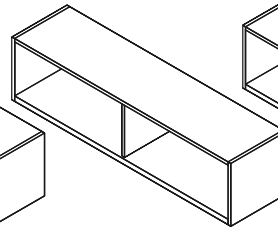
Big Table Extension Cabinets



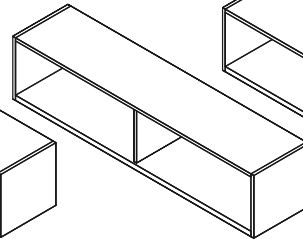
Above Desk Extension Cabinets for Big Table



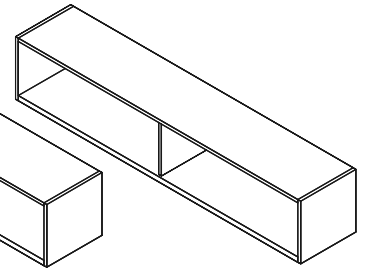
Above Big Table Extension Cabinet
24" Deep Dual Big Table



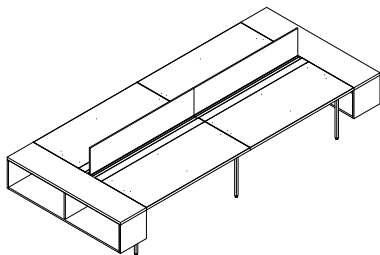
Above Big Table Extension Cabinet
27" Deep Dual Big Table



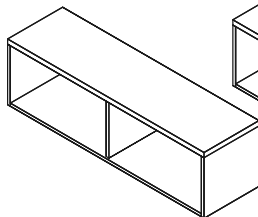
Above Big Table Extension Cabinet
30" Deep Dual Big Table



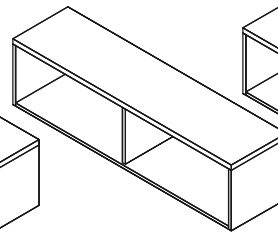
Above Big Table Extension Cabinet
36" Deep Dual Big Table



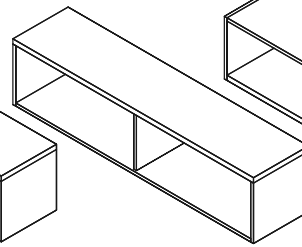
Below Desk Extension Cabinets for Big Table



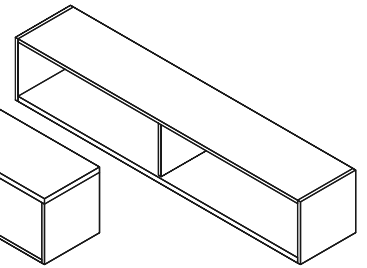
Below Big Table Extension Cabinet
24" Deep Dual Big Table



Below Big Table Extension Cabinet
27" Deep Dual Big Table



Below Big Table Extension Cabinet
30" Deep Dual Big Table



Below Big Table Extension Cabinet
36" Deep Dual Big Table

Laptop Drawer

Planning Guidelines and Specifications

The laptop drawer is a 2 1/2" high secure storage drawer for laptops, small personal items or electronics.

It is 15" wide and either 21" deep for use under 24" or 27" deep tops, or 27" deep for use under 30" deep tops, or 30" deep for use under 36" deep tops. It includes brackets for suspension from desk top rails. The drawer interior is 12 3/8" wide x 16 3/4" deep x 2 3/8" high and features two 2" diameter, lined cable grommets in the drawer bottom. Laptop drawers have a lock.

Laptop drawers can be mounted anywhere under desk or big table rails, as close as 3" to the inside face of a leg or directly adjacent to the outside face of a leg.

An optional drawer pad is available for the bottom of the drawer, providing a quiet, resilient surface for stored electronics. The recycled leather pad may be specified with grommets that correspond to the grommets in the drawer bottom or without grommets to cover the grommets in the drawer bottom.

An optional cable net is recommended to manage power cords from the drawer bottom to the back of a laptop drawer case. The net is a flexible open weave construction with a perimeter elastic cord to maintain the shape. The net is fastened to the underside of the laptop drawer case with screws.

Pencil trays can be specified separately for use in a laptop drawer. The five section pencil tray rides on the sides of a laptop drawer.

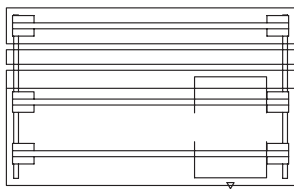
Construction

The laptop drawer has a steel top enclosure 21" or 27" or 30" deep and full extension 19"D drawer slides. The cable net is made of Polypropylene Net with Nylon. The drawer pad is 1.15mm thick Novous Black recycled leather.

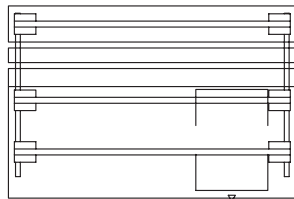
Pencil trays are plastic injection molded construction, 13 1/4" wide, 5 7/16" deep and 7/8" high.

Specification Options

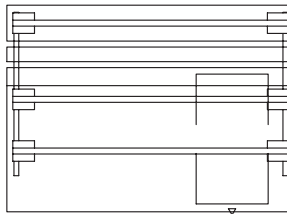
Specify laptop drawer in any Knoll Core paint finish. Drawer pad and net are black. Pencil trays are available in a black or clear finish.



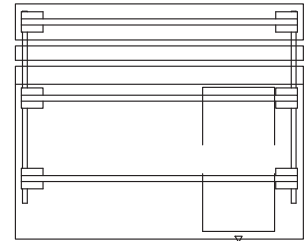
24"D Top with 21" D Laptop Drawer Plan View



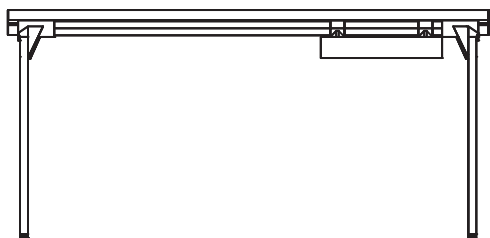
27"D Top with 21" D Laptop Drawer Plan View



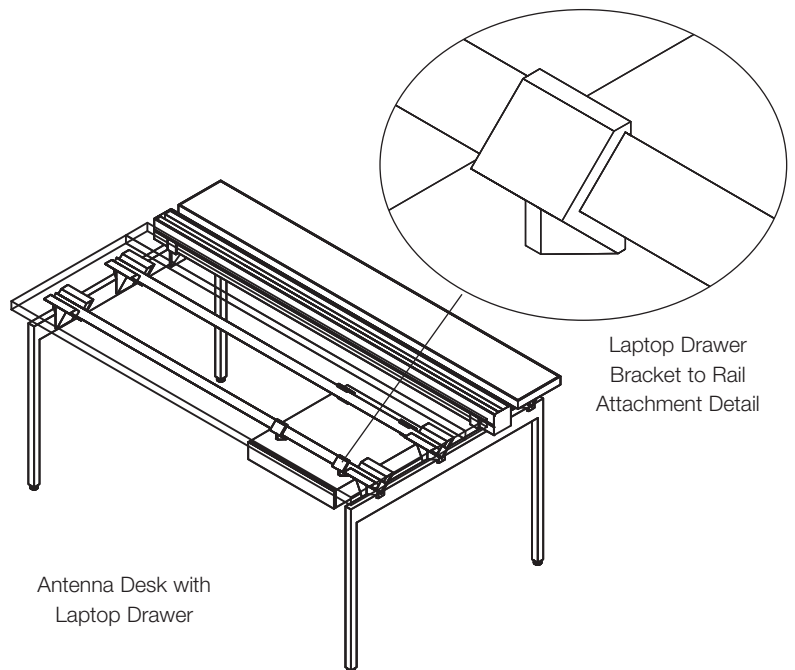
30"D Top with 27" D Laptop Drawer Plan View



36"D Top with 30" D Laptop Drawer Plan View



Antenna Desk with Laptop Drawer Front Elevation View




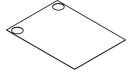
Antenna Desk with Laptop Drawer

Laptop Drawer Bracket to Rail Attachment Detail

Laptop Drawer

15" Wide

description	type	w	d	h	pattern no.	list
	For Use With 24" or 27" Deep Desk or Big Table	15"	21"	3 1/2"	YSAD21	\$958.
	For Use With 30" Deep Desk or Big Table	15"	27"	3 1/2"	YSAD27	1,002.
	For Use With 36" Deep Desk or Big Table	15"	30"	3 1/2"	YSAD30	1,167.

Drawer Pad (with grommet shown) 	For Use With a Laptop Drawer w/o a Grommet				YSADPADN	84.
	For Use With a Laptop Drawer With a Grommet				YSADPADG	84.

Cable Net 	For Use With 21" Deep Laptop Drawer				YSAD21NET	44.
	For Use With 27" D or 30"D Laptop Drawer				YSAD27NET	56.

Pencil Tray 	Black Finish	13 1/4"	5 7/8"	7/8"	YAPTN	41.
	Clear Finish	13 1/4"	5 7/8"	7/8"	YAPTC	48.

Ordering Information

Laptop Drawer

1. Pattern Number
2. Paint Finish

Drawer Pad/Cable Net

1. Pattern Number

Order Code

Laptop Drawer

Example: **YSAD21, 118T**

YS	Storage
AD	Drawer
21	Depth
118T	Bright White Paint

Drawer Pad

Example: **YSADPADG**

YS	Storage
AD	Drawer
PAD	Pad
G	With Grommet

Included With

Laptop Drawer

Brackets
Hardware

Drawer pad, cable net and pencil tray are specified separately from laptop drawer.

Options

Laptop Drawer

Laptop drawers have grommets in the bottom of the drawer and are always locking.

Suspended Storage

Wood Files

Planning Guidelines and Specifications

Suspended Wood File

The suspended wood file combines personal storage and filing in a single unit. Suspended wood files attach to 24", 27", 30" or 36" deep desks or big tables. This wood construction cabinet suspends from desk or big table rails and includes a standard letter by legal file drawer. The full file front is 15" x 15" and mounted to a full extension file drawer. The personal drawer is 1" high with independent slides accessible behind the file drawer front.

Suspended wood files can be specified in all laminate or veneer, laminate with veneer front, or mixed surface laminate: "Interior" of laminate open back storage area can be specified in a contrasting core or "pop" laminate.

Cabinets must be specified 3" less than the top depth, inset 1 1/2" from front and back. Cabinet is divided by a vertical partition 18" from the front, and an open shelf storage area in the remaining 3" of a 24"D file, 6" of a 27"D file and 12" of a 33"D file.

File can be mounted to desk rails in the space "outside" a desk end leg inset 15", if the other end of a top is stabilized by being connected to Fence or a perpendicular desk. Suspended file cabinets should be mounted between table desk end legs for freestanding desk applications. Desk rails should be connected to a cantilevered top by YCBDE rail end to top supports.

Suspended file can be ordered with or without a lock in the drawer face and it includes hanger brackets.

Suspended wood files do not accept pencil trays.

Construction

Case is composed of 3/4" thick wood panels, with discreet glue-and-dowel connections

Specification Options

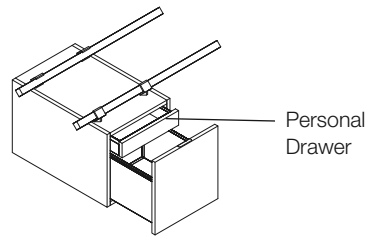
Specify laminate (L), "mixed" two-tone laminate or laminate case with veneer front (M) or veneer (V) case. Wood files are available either locking (L) or non-locking (N).

Case finish exterior is available in any Knoll Core laminate or veneer. When the case exterior is laminate, case interior and inset back are available in any Knoll Core or Accent laminate. When an Accent laminate is specified, the edgeband will match the exterior core laminate finish. When case exterior is specified laminate, specify drawer front finish in any Knoll Core laminate (L) or veneer (V).

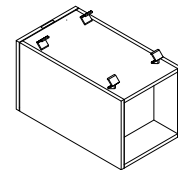
Specify pull type: Edge (E), Insert (I) or Loop (O). Edge pulls are available in any Knoll Core paint finish, Dark Red, Slate Blue or in Chrome (PD). Loop pulls are available in any Knoll Core paint finish, Dark Red or Slate Blue. Insert pulls are available in Chrome (PD).

Suspension brackets may be specified in any Knoll Core paint finish, Dark Red or Slate Blue.

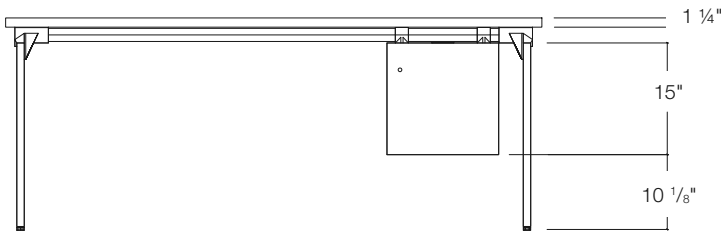
Case Sizes	Back
21"D for 24"D top	Flush back only
24"D for 27"D top	3"D shelf, binder height
27"D for 30"D top	6"D shelf, binder height
33"D for 36"D top	12"D shelf, binder height



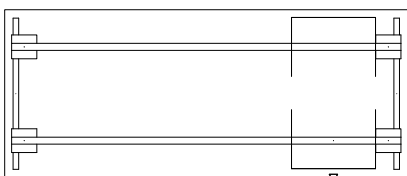
Suspended Wood File, Front View



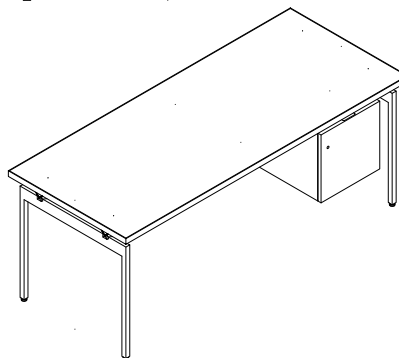
Suspended Wood File, Back View



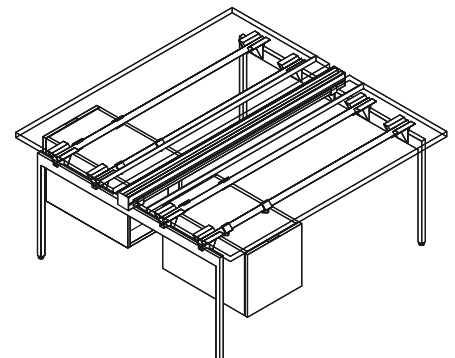
Desk with Suspended Wood File Front Elevation



Desk with Suspended Wood File Plan View

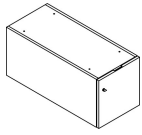


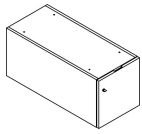
Desk with Suspended Wood File



Big Table with Suspended Wood Files

Suspended Storage Laminate Wood File 15" Wide

description	type	w	d	h	pattern no.	All Same	Different	Different	Laminate	Laminate	Laminate
						Laminate (Core Lam.) (L)	Laminate Case/ Interior/Front (Core Lam.) (L)	Laminate Case/ Interior/Front (Accent Lam.) (L)			
 Suspended Laminate Wood Files For Use With Desks	For 24" Deep Top	15"	21"	15"	YSSPF21()L	\$1,491.	n/a	n/a	\$1,641.	\$1,716.	\$1,790.
	For 27" Deep Top	15"	24"	15"	YSSPF24()L	1,550.	1,705.	2,013.	1,705.	1,782.	1,858.
	For 30" Deep Top	15"	27"	15"	YSSPF27()L	1,606.	1,766.	2,089.	1,766.	1,847.	1,928.
	For 36" Deep Top	15"	33"	15"	YSSPF33()L	1,665.	1,830.	2,163.	1,830.	1,914.	1,997.

 Suspended Laminate Wood Files For Use With Big Tables	For 24" Deep Top	15"	21"	15"	YSSPF21()L	1,491.	n/a	n/a	1,641.	1,716.	1,790.
	For 27" Deep Top	15"	24"	15"	YSSPF24B()L	1,550.	1,705.	2,013.	1,705.	1,782.	1,858.
	For 30" Deep Top	15"	27"	15"	YSSPF27B()L	1,606.	1,766.	2,089.	1,766.	1,847.	1,928.
	For 36" Deep Top	15"	33"	15"	YSSPF33B()L	1,665.	1,830.	2,163.	1,830.	1,914.	1,997.

Ordering Information

Suspended Wood File

1. Pattern Number
2. Exterior Case Finish
3. Interior Case Finish (Laminate only)
4. Drawer Front Finish
5. Pull Type
6. Pull Finish
7. Bracket Paint Finish

Order Code

Suspended Wood File

Example: **YSSPF24LL, 118, 118, 118, E, 118T, 118T**

YSSPF	Suspended Wood File
24	Depth
L	Laminate
L	Lock
118	Bright White Laminate Exterior
118	Bright White Laminate Interior
118	Bright White Laminate Front
E	Edge Pull
118T	Bright White Painted Pull
118T	Bright White Painted Brackets

Included With

Suspended Wood File

Brackets
Hardware

Options

Suspended Wood File

Case and Front Finish Options:

(L) = All the same laminate or different laminates for the exterior case, interior case and/or drawer front
(M) = Laminate case with a veneer front

Drawer Front Pull Options:

(E) = Edge Pull
(I) = Insert Pull
(O) = Loop Pull

See planning guide page for drawer pull finish options.

Lock Options:

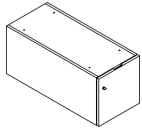
To specify a suspended wood file cabinet without a lock, replace the "L" suffix in the pattern number with an "N".

Suspended Storage

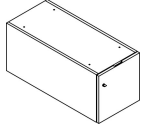
Veneer Wood File

15" Wide

description	type	w	d	h	pattern no.	All V1	All V2	All V3
Suspended Veneer Wood Files For Use With Desks	For 24" Deep Top	15"	21"	15"	YSSPF21VL	\$2,238.	\$2,574.	\$3,344.
	For 27" Deep Top	15"	24"	15"	YSSPF24VL	2,324.	2,672.	3,474.
	For 30" Deep Top	15"	27"	15"	YSSPF27VL	2,409.	2,770.	3,603.
	For 36" Deep Top	15"	33"	15"	YSSPF33VL	2,437.	2,804.	3,645.



Suspended Veneer Wood Files For Use With Big Tables	For 24" Deep Top	15"	21"	15"	YSSPF21BVL	2,238.	2,574.	3,344.
	For 27" Deep Top	15"	24"	15"	YSSPF24BVL	2,324.	2,672.	3,474.
	For 30" Deep Top	15"	27"	15"	YSSPF27BVL	2,409.	2,770.	3,603.
	For 36" Deep Top	15"	33"	15"	YSSPF33BVL	2,437.	2,804.	3,645.



Ordering Information

Suspended Wood File

1. Pattern Number
2. Case and Drawer Front Finish
3. Pull Type
4. Pull Finish
5. Bracket Paint Finish

Order Code

Suspended Wood File

Example: **YSSPF24VL, Y316, E, 118T, 118T**

YSSPF	Suspended Wood File
24	Depth
V	Veneer
L	Lock
Y316	Maple Veneer
E	Edge Pull
118T	Bright White Painted Pull
118T	Bright White Painted Brackets

Included With

Suspended Wood File
Brackets
Hardware

Options

Suspended Wood File

Drawer Front Pull Options:
(E) = Edge Pull
(I) = Insert Pull
(O) = Loop Pull

See planning guide page for drawer pull finish options.

Lock Options:

To specify a suspended wood file cabinet without a lock, replace the "L" suffix in the pattern number with an "N".

Suspended Storage

Wood Open Cabinets

Planning Guidelines and Specifications

Suspended Open Cabinets

Suspended open cabinets offer personal storage shelves accessible from front, back or end of desks or big tables. Front access cabinets may be specified with 18", 24", 27", 30" or 36"D desk or big table tops. Side access cabinets attach to the end of 24", 27" or 30"D desk or big tables.

Suspended open cabinets are wood construction and suspended from desk or big table top rails at any point. Suspended wood cabinets can be specified in all laminate or veneer or mixed surface laminate: all "Interior" surfaces of laminate open storage areas can be specified in a contrasting core or accent laminate.

Front access cabinets are sized 15"H and 15"W and must be specified in case depths 3" less than the top depth, inset 1 1/2" from front and back.

Cabinet with front and back access is divided by a centered vertical partition, creating a 13 1/2"H binder height shelf on the "back" and a horizontal partition dividing the "front" section. Cabinet can be installed in either orientation. Case 15"D has flush back panel in "exterior" surface on back. Partitions for 21" and deeper open cabinets are considered "interior" surface on both faces.

Cabinet with side access provides full surround, 13 1/2"H x 14"D shelf corresponding to depth of desk or big table top. Front and back panels are 15"x15" fixed panels, case "width" is 21", 24" or 27"D.

Suspended cabinets should be mounted between freestanding desk end legs. Cabinets can be mounted to desk rails in the space "outside" a desk end leg inset 15", if the other end of a top is stabilized by being

connected to a Fence or perpendicular desk. Cabinets include hanger brackets.

Construction

Case is composed of 3/4" thick wood panels, with discreet glue-and-dowel connections.

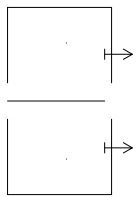
Specification Options

Specify laminate (L), "mixed" two-tone laminate (M) or veneer (V) case.

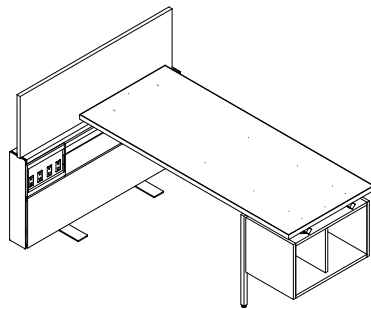
Case finish exterior is available in any Knoll Core laminate or veneer. When the case exterior is laminate, case interior and inset back are available in any Knoll Core or Accent laminate. When an Accent laminate is specified, the edgeband will match the exterior core laminate finish.

Suspension brackets may be specified in any Knoll Core paint finish, Dark Red or Slate Blue.

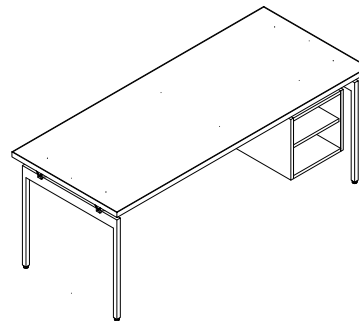
Case Sizes	Front	Back	Side Access Shelf
15"D for 18"D top	14"D shelf	no shelf	not available
21"D for 24"D top	10"D shelf, divided	10"D shelf, binder height	14"D shelf
24"D for 27"D top	11 1/2"D shelf, divided	11 1/2"D shelf, binder height	14"D shelf
27"D for 30"D top	13"D shelf, divided	13"D shelf, binder height	14"D shelf
33"D for 36"D top	16"D shelf, divided	16"D shelf, binder height	N/A



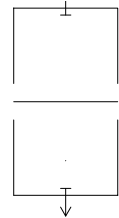
Suspended Side Access Open Cabinet



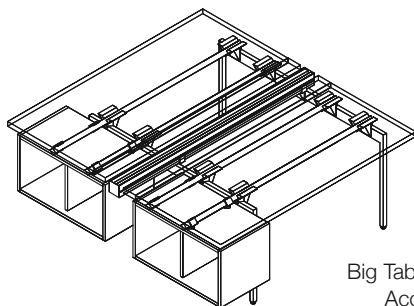
Fence Supported Desk with Suspended Side Access Open Cabinet



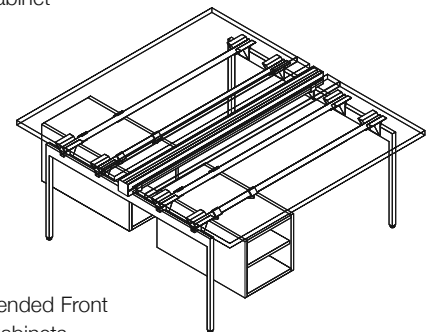
Desk with Suspended Front Access Open Cabinet



Suspended Open Front Access Cabinet



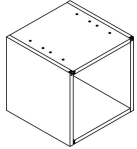
Big Table with Suspended Side Access Open Cabinets



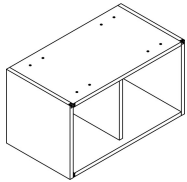
Big Table with Suspended Front Access Open Cabinets

Suspended Storage Laminate Open Cabinets 15" Wide

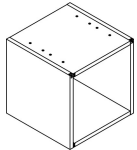
description	type	w	d	h	pattern no.	All Same	Different	Different
						Laminates (Core Lam.)	Laminate Case/ Interior (Core Lam.)	Laminate Case/ Interior (Accent Lam.)
Suspended Laminate Open Cabinets with Front and Back Access For Use With Desks	For 18" Deep Top	15"	15"	15"	YSSOF15L	\$1,032.	\$1,136.	\$1,342.
	For 24" Deep Top	15"	21"	15"	YSSOF21L	1,148.	1,263.	1,491.
	For 27" Deep Top	15"	24"	15"	YSSOF24L	1,205.	1,326.	1,566.
	For 30" Deep Top	15"	27"	15"	YSSOF27L	1,263.	1,388.	1,641.
	For 36" Deep Top	15"	33"	15"	YSSOF33L	1,377.	1,515.	1,790.



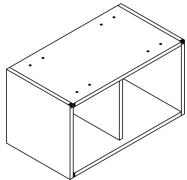
Suspended Laminate Open Cabinets with Side Access For Use With Desks	For 24" Deep Top	15"	21"	15"	YSSOS21L	1,148.	1,263.	1,491.
	For 27" Deep Top	15"	24"	15"	YSSOS24L	1,205.	1,326.	1,566.
	For 30" Deep Top	15"	27"	15"	YSSOS27L	1,263.	1,388.	1,641.



Suspended Laminate Open Cabinets with Front and Back Access For Use With Big Tables	For 18" Deep Top	15"	15"	15"	YSSOF15L	1,032.	1,136.	1,342.
	For 24" Deep Top	15"	21"	15"	YSSOF21L	1,148.	1,263.	1,491.
	For 27" Deep Top	15"	24"	15"	YSSOF24BL	1,205.	1,326.	1,566.
	For 30" Deep Top	15"	27"	15"	YSSOF27BL	1,263.	1,388.	1,641.
	For 36" Deep Top	15"	33"	15"	YSSOF33BL	1,377.	1,515.	1,790.



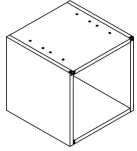
Suspended Laminate Open Cabinets with Side Access For Use With Big Tables	For 24" Deep Top	15"	21"	15"	YSSOS21L	1,148.	1,263.	1,491.
	For 27" Deep Top	15"	24"	15"	YSSOS24BL	1,205.	1,326.	1,566.
	For 30" Deep Top	15"	27"	15"	YSSOS27BL	1,263.	1,388.	1,641.



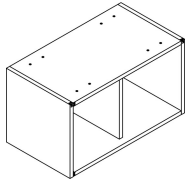
Ordering Information	Order Code	Included With	Options
Suspended Open Cabinet	Suspended Open Cabinet	Suspended Open Cabinet	Suspended Open Cabinet
1. Pattern Number	<i>Example:</i> YSSOF24L, 118, 118,	Brackets	
2. Exterior Case Finish	118T	Hardware	
3. Interior Case Finish (Laminate only)	YSSOF Suspended Open Cabinet		
4. Bracket Paint Finish	L Laminate Case		
	118 Bright White Exterior		
	118 Bright White Interior		
	118T Bright White Brackets		

Suspended Storage Veneer Open Cabinets 15" Wide

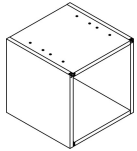
description	type	w	d	h	pattern no.	All V1	All V2	All V3
Suspended Veneer Open Cabinets with Front and Back Access For Use With Desks	For 18" Deep Top	15"	15"	15"	YSSOF15V	\$1,397.	\$1,606.	\$2,089.
	For 24" Deep Top	15"	21"	15"	YSSOF21V	1,597.	1,836.	2,386.
	For 27" Deep Top	15"	24"	15"	YSSOF24V	1,646.	1,893.	2,460.
	For 30" Deep Top	15"	27"	15"	YSSOF27V	1,695.	1,951.	2,536.
	For 36" Deep Top	15"	33"	15"	YSSOF33V	1,796.	2,065.	2,686.



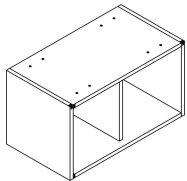
Suspended Veneer Open Cabinets with Side Access For Use With Desks	For 24" Deep Top	15"	21"	15"	YSSOS21V	1,597.	1,836.	2,386.
	For 27" Deep Top	15"	24"	15"	YSSOS24V	1,646.	1,893.	2,460.
	For 30" Deep Top	15"	27"	15"	YSSOS27V	1,695.	1,951.	2,536.



Suspended Veneer Open Cabinets with Front and Back Access For Use With Big Tables	For 18" Deep Top	15"	15"	15"	YSSOF15V	1,397.	1,606.	2,089.
	For 24" Deep Top	15"	21"	15"	YSSOF21V	1,597.	1,836.	2,386.
	For 27" Deep Top	15"	24"	15"	YSSOF24BV	1,646.	1,893.	2,460.
	For 30" Deep Top	15"	27"	15"	YSSOF27BV	1,695.	1,951.	2,536.
	For 36" Deep Top	15"	33"	15"	YSSOF33BV	1,796.	2,065.	2,686.



Suspended Veneer Open Cabinets with Side Access For Use With Big Tables	For 24" Deep Top	15"	21"	15"	YSSOS21V	1,597.	1,836.	2,386.
	For 27" Deep Top	15"	24"	15"	YSSOS24BV	1,646.	1,893.	2,460.
	For 30" Deep Top	15"	27"	15"	YSSOS27BV	1,695.	1,951.	2,536.



Ordering Information	Order Code	Included With	Options
Suspended Open Cabinet	Suspended Open Cabinet	Suspended Open Cabinet	Suspended Open Cabinet
1. Pattern Number	<i>Example:</i> YSSOF24V, Y316, 118T	Brackets	
2. Exterior Case Finish	YSSOF Suspended Open Cabinet	Hardware	
3. Bracket Paint Finish	V Veneer Case		
	Y316 Maple Exterior		
	118T Bright White Painted Brackets		

Extension Cabinets

For Desks

Planning Guidelines and Specifications

Above Desk Extension Cabinets

Above desk extension cabinet is wood construction, open binder storage that provides some seated privacy at a horizon of 42" on standard height desk. Bottom of cabinet aligns with end of adjacent desk top. Back of cabinet is inset 1/2" to provide niche for optional fabric insert.

Cabinets can be specified in all laminate or veneer or mixed surface laminate: all "Interior" surfaces of laminate open storage areas can be specified in a contrasting core or "pop" laminate. Inset back is considered an interior surface on both faces.

Cabinets are sized 15"H and 15"D and must be specified in case widths to match top depth: 18", 24", 27", 30" or 36". Interior binder storage height is 13".

Desk extension cabinets mount to desk rails specified 12" longer than top normally requires. Specify YSDXUP or YBCDE rail to extension brackets separately and accordingly.

Above desk extension cabinets can not be installed in the same location as a below desk extension cabinet.

Construction

Case is composed of 1 3/16" thick bottom (to match desk top) and 3/4" thick sides, back and top panels, with discreet glue-and-dowel connections. 36" wide cabinet has center vertical partition.

Veneer grain direction is horizontal on back, vertical on sides.

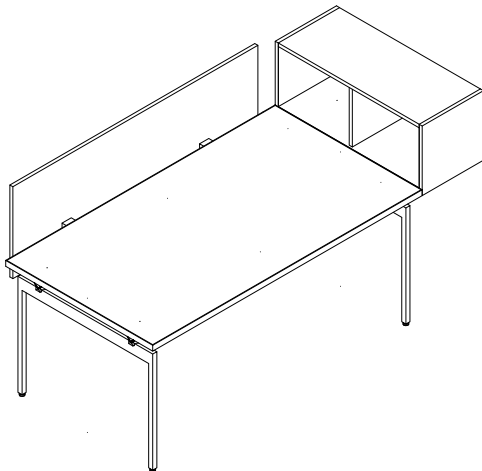
Laminate cabinet matches interior finish on both faces.

Specification Options

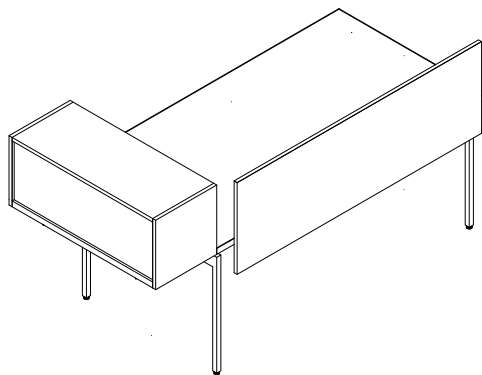
Specify laminate (L), "mixed" two-tone laminate (M) or veneer (V) case.

Case finish exterior is available in any Knoll Core laminate or veneer. When the case exterior is laminate, case interior and inset back are available in any Knoll Core or Accent laminate. When an Accent laminate is specified, the edgeband will match the exterior core laminate finish.

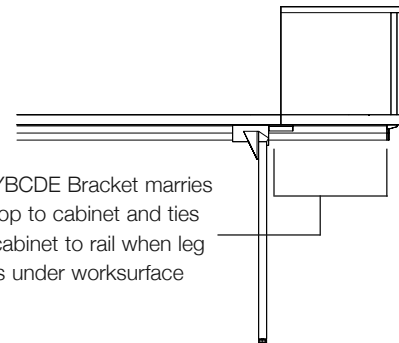
Specify mounting brackets separately.



Above Desk Extension Cabinet Front

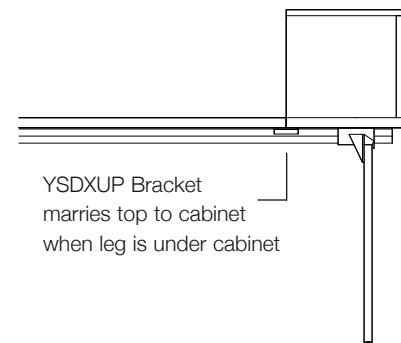


Above Desk Extension Cabinet Back



YBCDE Bracket marries top to cabinet and ties cabinet to rail when leg is under worksurface

Above Desk Extension Cabinet Elevation, Leg Under Worksurface



YSDXUP Bracket marries top to cabinet when leg is under cabinet

Above Desk Extension Cabinet Elevation, Leg Under Cabinet

Extension Cabinets

For Desks

Planning Guidelines and Specifications

Below Desk Extension Cabinets

Below desk extension cabinet is wood construction, open binder storage that aligns with and provides some enclosure below the end of desk or return. Back of cabinet is open 2" below the top of the cabinet to permit desk support rails to extend inside. Binder opening faces away from the kneespace.

Cabinets can be specified in all laminate or veneer or mixed surface laminate: all "Interior" surfaces of laminate open storage areas can be specified in a contrasting core or "pop" laminate. Outside of flush back is considered an exterior surface.

Cabinets are sized 15 1/2"H and 15"D and must be specified in case widths to match top depth: 24", 27", 30" or 36". Interior binder storage height below rails is 13".

Desk extension cabinets mount to desk rails specified 12" longer than top normally requires. Specify YBCDE rails to extension brackets separately.

Above desk extension cabinets can not be installed in the same location as a below desk extension cabinet.

Construction

Case is composed of 1 3/16" thick top (to match desk top) and 3/4" thick sides, back and bottom panels, with discreet glue-and-dowel connections. 36" wide cabinet has center vertical partition.

Veneer grain direction is horizontal on back, vertical on sides.

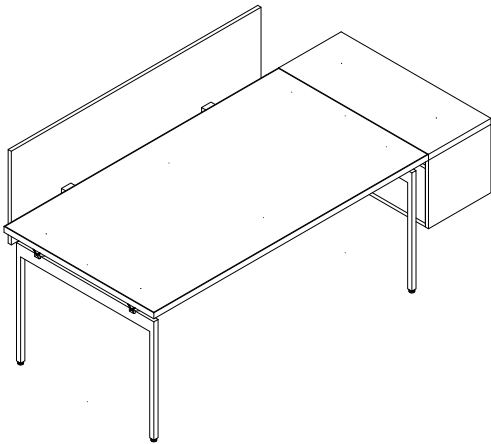
Laminate cabinet back matches exterior finish.

Specification Options

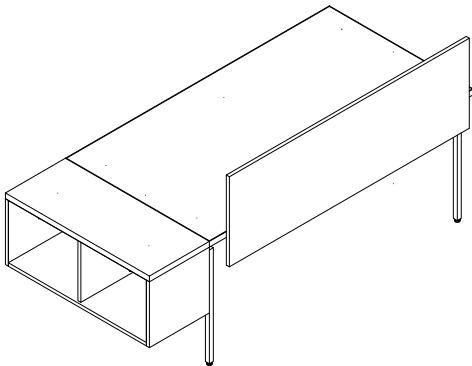
Specify laminate (L), "mixed" two-tone laminate (M) or veneer (V) case.

Case finish exterior is available in any Knoll Core laminate or veneer. When the case exterior is laminate, case interior is available in any Knoll Core or Accent laminate. When an Accent laminate is specified, the edgeband will match the exterior core laminate finish.

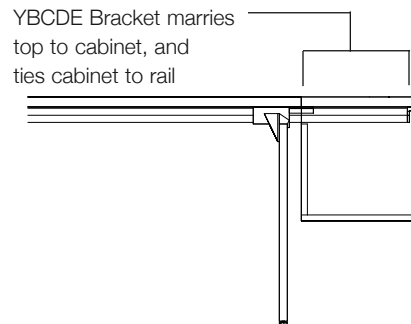
Specify mounting brackets separately.



Below Desk Extension Cabinet Front



Below Desk Extension Cabinet Back

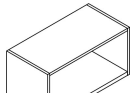


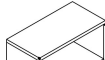
Below Desk Extension Cabinet Elevation

Extension Cabinets

For Desks

Above and Below Tops

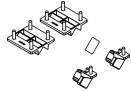
description	type	width	depth	height	pattern number	list	All Same	Different	Different	All V1	All V2	All V3
							Laminate (Core Lam.) (L)	Laminate Case/ Interior (Core Lam.) (L)	Laminate Case/ Interior (Accent Lam.) (L)			
	For 18" Deep Top	15"	18"	14 ³ / ₄ "	YSDXOS1815()	\$0.	\$1,091.	\$1,199.	\$1,418.	\$1,495.	\$1,721.	\$2,238.
	For 24" Deep Top	15"	24"	14 ³ / ₄ "	YSDXOS2415()	0.	1,148.	1,263.	1,491.	1,597.	1,836.	2,386.
	For 27" Deep Top	15"	27"	14 ³ / ₄ "	YSDXOS2715()	0.	1,205.	1,326.	1,566.	1,646.	1,893.	2,456.
	For 30" Deep Top	15"	30"	14 ³ / ₄ "	YSDXOS3015()	0.	1,263.	1,388.	1,641.	1,695.	1,951.	2,536.
	For 36" Deep Top	15"	36"	14 ³ / ₄ "	YSDXOS3615()	0.	1,377.	1,451.	1,716.	1,796.	2,065.	2,685.

	For 24" Deep Top	15"	24"	14 ³ / ₄ "	YSDXSS2415()	0.	1,148.	1,263.	1,491.	1,597.	1,836.	2,386.
	For 27" Deep Top	15"	27"	14 ³ / ₄ "	YSDXSS2715()	0.	1,205.	1,326.	1,566.	1,646.	1,893.	2,456.
	For 30" Deep Top	15"	30"	14 ³ / ₄ "	YSDXSS3015()	0.	1,263.	1,388.	1,641.	1,695.	1,951.	2,536.
	For 36" Deep Top	15"	36"	14 ³ / ₄ "	YSDXSS3615()	0.	1,377.	1,515.	1,790.	1,796.	2,065.	2,686.

Connector Kit for Above Desk Extension Cabinets	2 Brackets				YSDXUP	29.	0.	0.	0.	0.	0.	0.
---	------------	--	--	--	---------------	-----	----	----	----	----	----	----



Connector Kit for Above or Below Desk Extension Cabinets	2 Brackets				YBCDE	46.	0.	0.	0.	0.	0.	0.
--	------------	--	--	--	--------------	-----	----	----	----	----	----	----



Ordering Information

Extension Cabinets

1. Pattern Number
2. Exterior Case Finish
3. Interior Case Finish (Laminate only)

Mounting Brackets

1. Pattern Number
2. Paint Finish

Order Code

Extension Cabinets

Example: **YSDXSS2415L, 118, 118**

YSDXSS Below Desk Extension Cabinets

24 Depth

15 Width

L Laminate

118 Bright White Laminate

118 Bright White Laminate

Mounting Brackets

Example: **YBCDE, 118T**

YBCDE Mounting Brackets

118T Bright White Paint

Included With

Extension Cabinets

Specify extension cabinet mounting brackets separately.

Specify rails 12" longer than required top when specifying extension cabinets.

Mounting Brackets

Hardware

Options

Extension Cabinets

Case Finish Options:

(L) = All the same or different laminates for the exterior and interior case
(V) = All the same veneer for the exterior and interior case

Extension Cabinets

For Dual Sided Big Tables

Planning Guidelines and Specifications

Above Desk Extension Cabinets for Big Table

Above desk extension cabinet is wood construction, open binder storage that provides some seated privacy at a horizon of 42" on standard height big table. Bottom of cabinet aligns with ends of adjacent desk tops. Back of cabinet is inset 1/2" to provide niche for optional fabric insert.

Cabinets can be specified in all laminate or veneer or mixed surface laminate: all "Interior" surfaces of laminate open storage areas can be specified in a contrasting core or "pop" laminate. Inset back is considered an interior surface on both faces.

Cabinets are sized 15"H and 15"D and must be specified in case widths to match overall big table depth with center beam:

- 53 1/2" case for dual 24" big table
- 59 1/2" case for dual 27" big table
- 65 1/2" case for dual 30" big table
- 77 1/2" case for dual 36" big table

All cabinets have a center partition recessed 1/2" from front edge. 77 1/2" deep cabinets for 36" deep big tables have two center partitions. Interior binder storage height is 13".

Big table extension cabinets mount to desk rails specified 12" longer than tops normally require. Specify YBTE rails to extension brackets separately.

Above desk extension cabinets for big table can not be installed in the same location as a below desk extension cabinet for big table.

Construction

Case is composed of 1 3/16" thick bottom (to match desk top) and 3/4" thick sides, back and top panels, with discreet glue-and-dowel connections. 36" wide cabinet has center vertical partition.

Veneer grain direction is horizontal on back, vertical on sides.

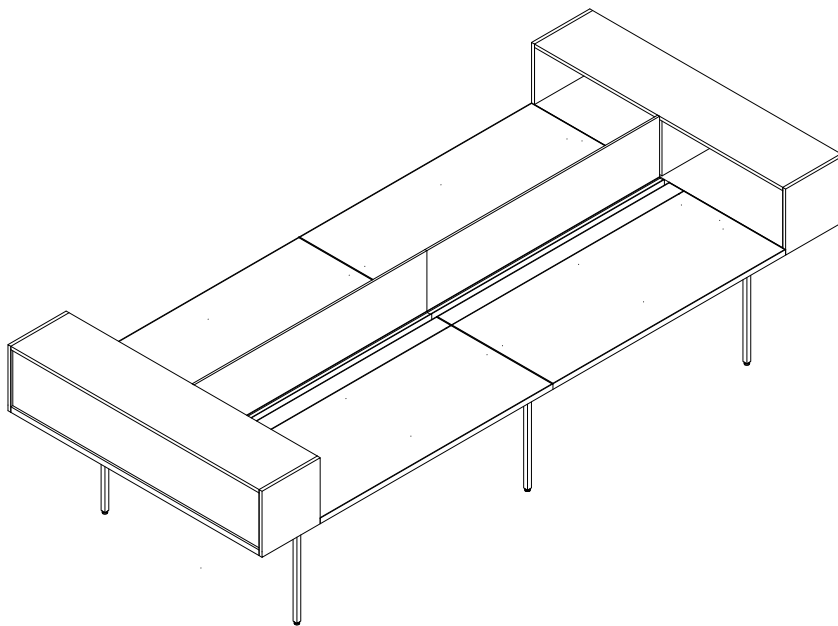
Laminate cabinet matches interior finish on both faces.

Specification Options

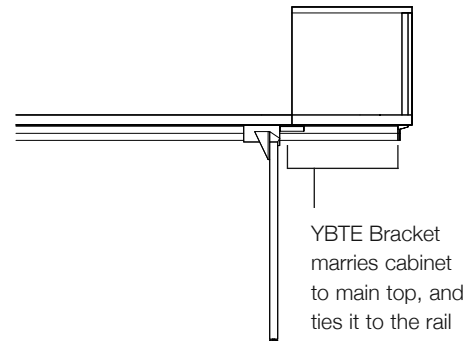
Specify laminate (L), "mixed" two-tone laminate or laminate case with veneer front (M) or veneer (V) case.

Case finish exterior is available in any Knoll Core laminate or veneer. When the case exterior is laminate, case interior and inset back are available in any Knoll Core or Accent laminate. When an Accent laminate is specified, the edgeband will match the exterior core laminate finish.

Specify mounting brackets separately.



Above Desk Extension Cabinets for Big Table



Above Desk Extension Cabinet for Big Table Elevation

*End Leg must stay under the Center Beam and can not be moved out to be placed under the extension top or cabinet

Extension Cabinets

For Dual Sided Big Tables

Planning Guidelines and Specifications

Below Desk Extension Cabinets for Big Table

Below desk extension cabinet for big table is wood construction, open binder storage that aligns with and provides some enclosure below the end of dual big table. Back of cabinet is open 2" below the top of the cabinet to permit desk support rails to extend inside. Binder opening faces away from the kneespace.

Cabinets can be specified in all laminate or veneer or mixed surface laminate: all "Interior" surfaces of laminate open storage areas can be specified in a contrasting core or "pop" laminate. Outside of flush back is considered an exterior surface.

Cabinets are sized 15 1/2"H and 15"D and must be specified in case widths to match overall big table depth with center beam:

- 53 1/2" case for dual 24" big table
- 59 1/2" case for dual 27" big table
- 65 1/2" case for dual 30" big table
- 77 1/2" case for dual 36" big table

All cabinets have a center partition recessed 1/2" from front edge. 77 1/2" deep cabinets for 36" deep big tables have two center partitions. Interior binder storage height is 13".

Desk extension cabinets mount to desk rails specified 12" longer than top normally requires. Specify YBTE rails to extension brackets separately.

Above desk extension cabinets for big table can not be installed in the same location as a below desk extension cabinet for big table.

Construction

Case is composed of 1 3/16" thick top (to match desk top) and 3/4" thick sides, back and bottom panels, with discreet glue-and-dowel connections. 36" wide cabinet has center vertical partition.

Veneer grain direction is horizontal on back, vertical on sides.

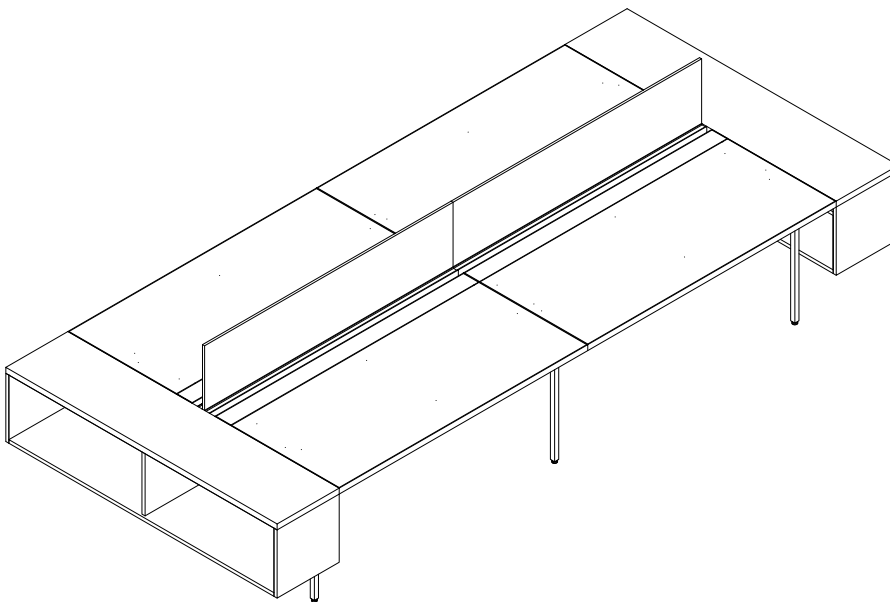
Laminate cabinet back matches exterior finish.

Specification Options

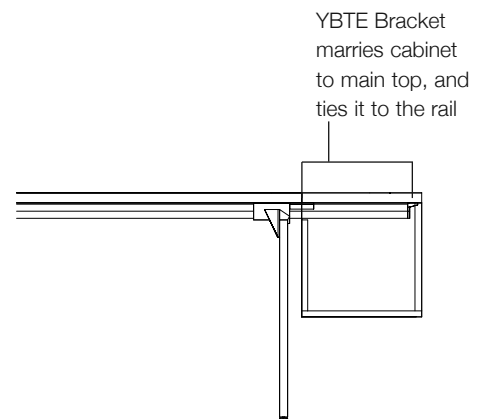
Specify laminate (L), "mixed" two-tone laminate (M) or veneer (V) case.

Case finish exterior is available in any Knoll Core laminate or veneer. When the case exterior is laminate, case interior is available in any Knoll Core or Accent laminate. When an Accent laminate is specified, the edgeband will match the exterior core laminate finish.

Specify mounting brackets separately.



Below Desk Extension Cabinets for Big Table



Below Desk Extension Cabinet for Big Table Elevation

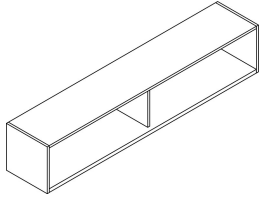
*End Leg must stay under the Center Beam and can not be moved out to be placed under the extension top or cabinet

Extension Cabinets

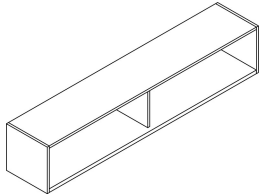
For Dual Sided Big Tables

Above and Below Tops

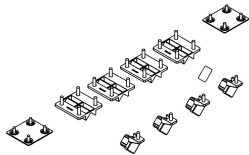
description	type	w	d	h	pattern no.	Paint	All Same	Different	Different	All V1	All V2	All V3
							Laminate (Core Lam.) (L)	Laminate Case/ Interior (Core Lam.) (L)	Laminate Case/ Interior (Accent Lam.) (L)			
Above Big Table Extension Cabinets	For 24" D Big Table	15"	53 1/2"	15"	YSDXOS5315()	n/a	\$1,721.	\$1,893.	\$2,238.	\$2,246.	\$2,582.	\$3,357.
	For 27" D Big Table	15"	59 1/2"	15"	YSDXOS5915()	n/a	1,836.	2,020.	2,386.	2,395.	2,754.	3,580.
	For 30" D Big Table	15"	65 1/2"	15"	YSDXOS6515()	n/a	1,951.	2,145.	2,536.	2,494.	2,869.	3,729.
	For 36" D Big Table	15"	77 1/2"	15"	YSDXOS7715()	n/a	2,123.	2,271.	2,686.	2,793.	3,212.	4,176.



Below Big Table Extension Cabinets	For 24" D Big Table	15"	53 1/2"	15"	YSDXSS5315()	n/a	1,721.	1,893.	2,238.	2,246.	2,582.	3,357.
	For 27" D Big Table	15"	59 1/2"	15"	YSDXSS5915()	n/a	1,836.	2,020.	2,386.	2,395.	2,754.	3,580.
	For 30" D Big Table	15"	65 1/2"	15"	YSDXSS6515()	n/a	1,951.	2,145.	2,536.	2,494.	2,869.	3,729.
	For 36" D Big Table	15"	77 1/2"	15"	YSDXSS7715()	n/a	2,123.	2,335.	2,759.	2,793.	3,212.	4,176.



Connector Kit for Above and Below Big Table Extension Cabinets	4 Brackets				YBTE	104.	n/a	n/a	n/a	n/a	n/a	n/a
--	------------	--	--	--	-------------	------	-----	-----	-----	-----	-----	-----



Ordering Information	Order Code	Included With	Options
Extension Cabinets 1. Pattern Number 2. Exterior Case Finish 3. Interior Case Finish (Laminate only)	Extension Cabinets <i>Example:</i> YSDXSS5915L, 118, 118 <hr/> YSDXSS Below Desk Extension Cabinets <hr/> 59 Depth <hr/> 15 Width <hr/> L Laminate <hr/> 118 Bright White Laminate <hr/> 118 Bright White Laminate <hr/> Mounting Brackets <i>Example:</i> YBTE, 118T <hr/> YBTE Mounting Brackets <hr/> 118T Bright White Paint	Extension Cabinets Specify extension cabinet mounting brackets separately. Specify rails 12" longer than required top when specifying extension cabinets. Mounting Brackets Hardware	Extension Cabinets Case Finish Options: (L) = All the same or different laminates for the exterior and interior case (V) = All the same veneer for the exterior and interior case

*Fabric Inserts**Planning Guidelines and Specifications***Fabric Inserts for Above Desk or Big Table Extension Cabinets**

Fabric back insert is tackable fabric panel, nominal 1/2" thick, that fits in the recess behind the back of above desk and big table extension cabinets. Fabric back inserts are 1 1/2" less wide and 2" less high than cabinet to fit between sides, top and bottom.

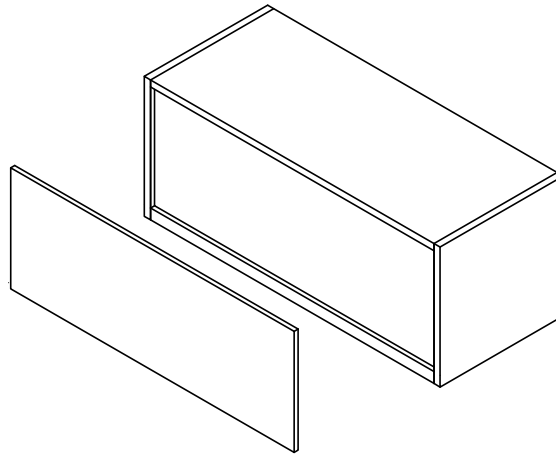
Fabric back insert is not applicable in below desk extension cabinets.

Construction

Fabric back insert is 1/2" tackable tile with fabric applied on exterior surface and edges. Fabric inserts are installed using double-sided adhesive tape, which is included. Two fabric inserts are included for big table extension cabinet applications.

Specification Options

Fabric inserts may be specified in any Antenna approved textile. For Customers Own Material (COM) applications, see yardage chart in front of Price List.





Fabric Inserts are Installed in the Back of Above Desk or Big Table Extension Cabinets

Extension Cabinets

Fabric Inserts

For Desk and Big Table Cabinets

description	type	w	d	h	pattern no.	grade				
						10	20	30	40	45
Fabric Inserts for Above Desk Extension Cabinets 	For 18" Deep Top	1/2"	16 1/2"	13"	YSDXFB18	\$184.	\$191.	\$197.	\$205.	\$213.
	For 24" Deep Top	1/2"	22 1/2"	13"	YSDXFB24	184.	191.	197.	205.	213.
	For 27" Deep Top	1/2"	25 1/2"	13"	YSDXFB27	184.	191.	197.	205.	213.
	For 30" Deep Top	1/2"	28 1/2"	13"	YSDXFB30	184.	191.	197.	205.	213.
	For 36" Deep Top	1/2"	34 1/2"	13"	YSDXFB36	195.	203.	211.	218.	228.
Fabric Inserts for Above Big Table Extension Cabinets 	For 24" Deep Dual Big Table	1/2"	52"	13"	YSDXFB53	232.	241.	251.	259.	268.
	For 27" Deep Dual Big Table	1/2"	58"	13"	YSDXFB59	232.	241.	251.	259.	268.
	For 30" Deep Dual Big Table	1/2"	64"	13"	YSDXFB65	256.	266.	278.	287.	298.
	For 36" Deep Dual Big Table	1/2"	76"	13"	YSDXFB77	256.	266.	278.	287.	298.

Ordering Information

- Fabric Inserts**
 1. Pattern Number
 2. Fabric Finish

Order Code

Extension Cabinets
Example: **YSDXFB30, W351**
YSDXFB Fabric Insert
30 Width
W351 Foundation

Included With

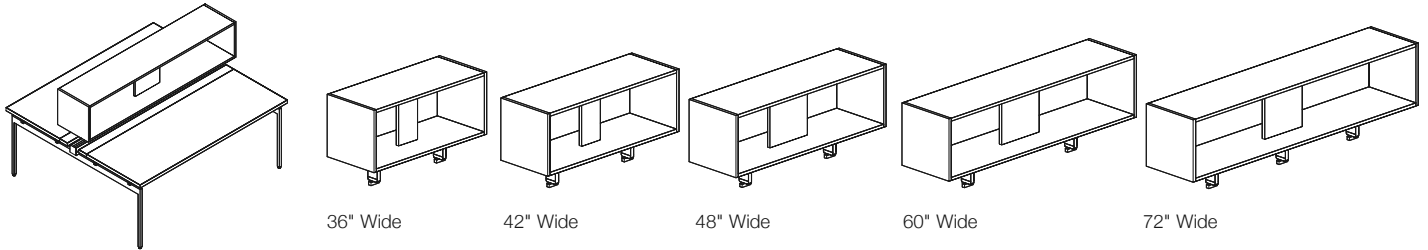
Fabric Inserts

Options

Fabric Inserts

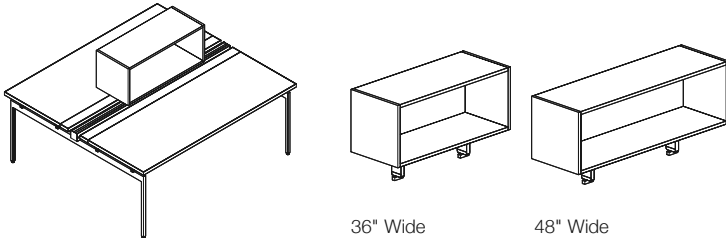
Wood Storage

Open Front and Back Cabinets



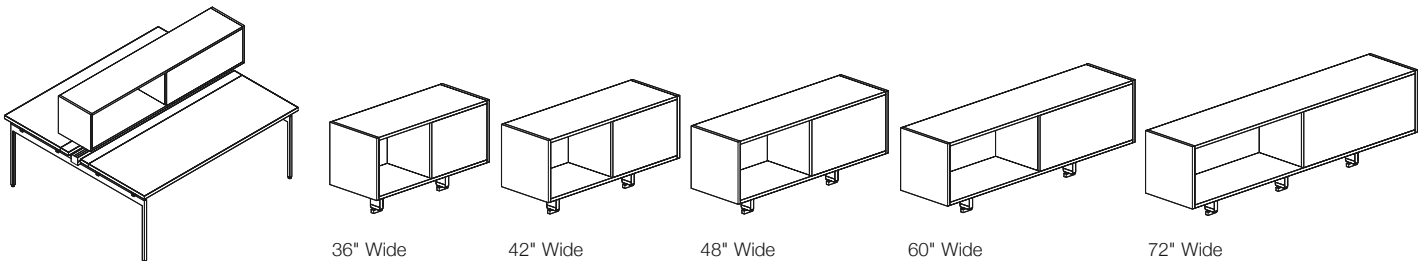
Dual Big Table with Stanchion Mounted
Open Front and Back Cabinet

Open Front and Enclosed Back Cabinets



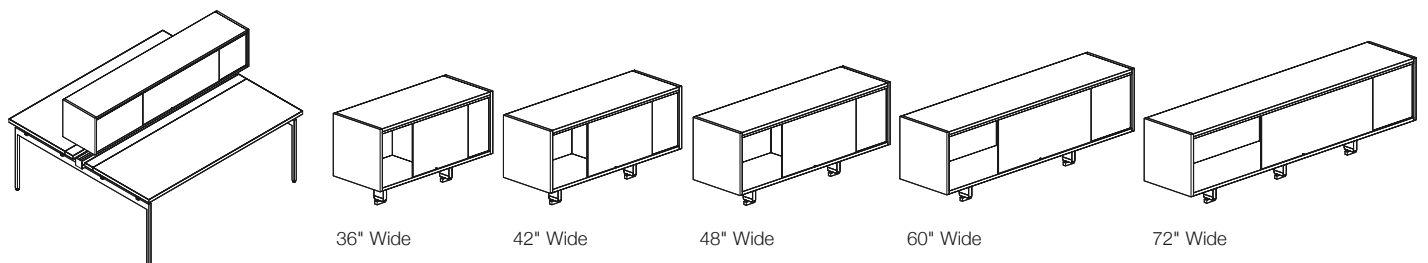
Dual Big Table with Stanchion Mounted
Open Front and Enclosed Back Cabinet

Shared Open Front and Enclosed Back Cabinets



Dual Big Table with Stanchion Mounted Shared
Open Front and Enclosed Back Cabinet

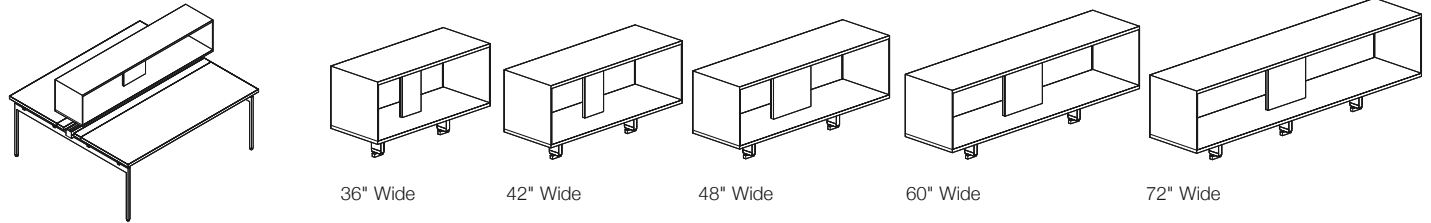
Shared Sliding Door Cabinets



Dual Big Table with Stanchion Mounted
Shared Sliding Door Cabinet

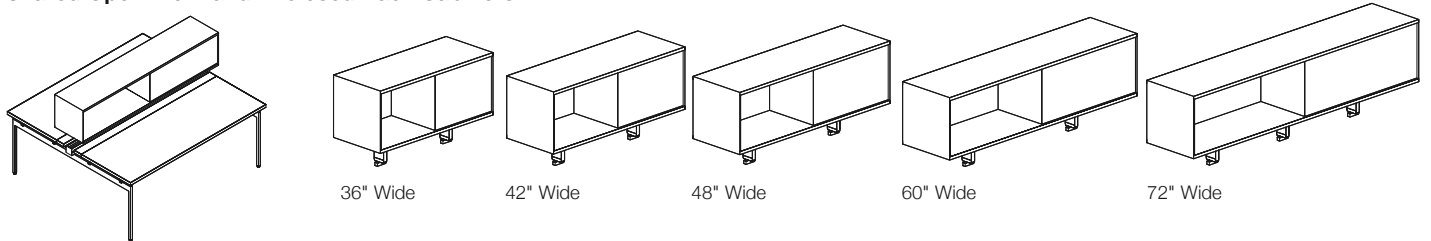
Metal Storage

Open Front and Back Cabinets



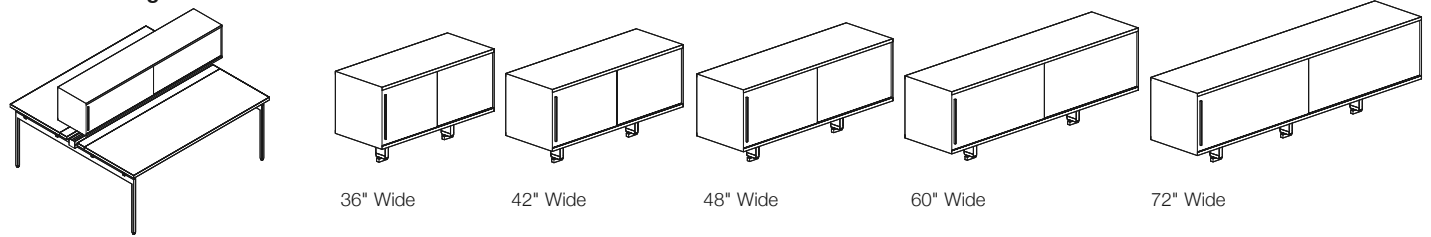
Dual Big Table with Stanchion Mounted Open Front and Back Cabinet

Shared Open Front and Enclosed Back Cabinets



Dual Big Table with Stanchion Mounted Shared Open Front and Enclosed Back Cabinet

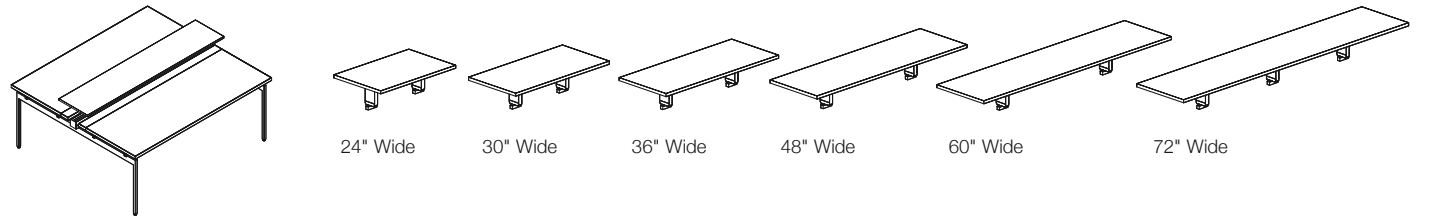
Shared Sliding Door Cabinets



Dual Big Table with Stanchion Mounted Shared Sliding Door Cabinet

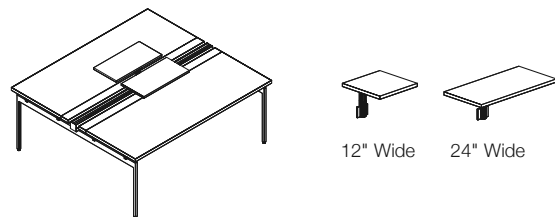
Shelves

Platform Shelves



Dual Big Table with Platform Shelf

Cantilever Shelves



Dual Big Table with Cantilever Shelves

Stanchion Mounted Wood Storage For Big Table and Fence Planning Guidelines and Specifications

Stanchion Mounted Open Wood Cabinets

Stanchion mounted open wood cabinets provide binder storage within easy reach from a seated position. Cabinets are available in two configurations: open front with enclosed back, for one-sided use, and open both front and back for shared use.

Cabinets mount on big table center beam or on Fence, with storage stanchion supports, specified separately.

Open front and back cabinets are available in 36", 48", 60" and 72" widths. A center panel parallel to the open front and back provides structural support, and serves to filter sightlines through the cabinet. Cabinets 36"W have a

6" wide center panel, cabinets 42" and wider have a 12" wide center panel. Support panel and all interior surfaces can be specified in a different laminate than exterior surfaces.

Enclosed back cabinets are available in 36" and 48" widths. Enclosed back cabinet has a full back, recessed 1/2" for optional fabric insert, specified separately.

Both sides of recessed back are considered interior surfaces, if specifying two-tone laminate finishes.

All stanchion mounted cabinets are 15"H x 15"D, with 13 1/2" clear interior height for binder storage. Cabinet sides, top and bottom are 3/4" thick, in laminate or veneer, or a combination of laminates.

Construction

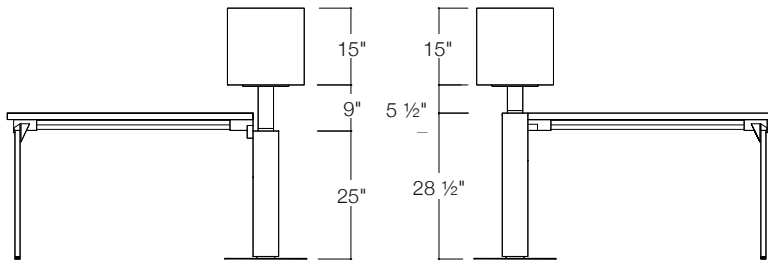
Case is composed of 3/4" thick wood panels, with discreet glue-and-dowel connections.

Specification Options

Specify laminate (L), "mixed" two-tone laminate (M) or veneer (V) case.

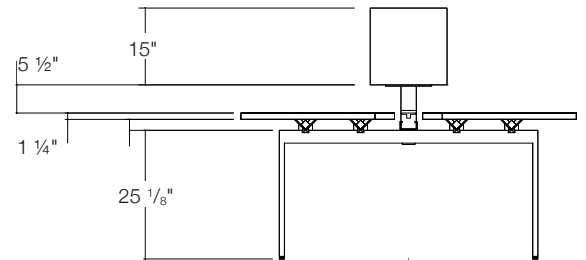
Case finish exterior is available in any Knoll Core laminate or veneer. When the case exterior is laminate, case interior and inset back are available in any Knoll Core or Accent laminate. When an Accent laminate is specified, the edgeband will match the exterior core laminate finish.

Specify stanchions separately.

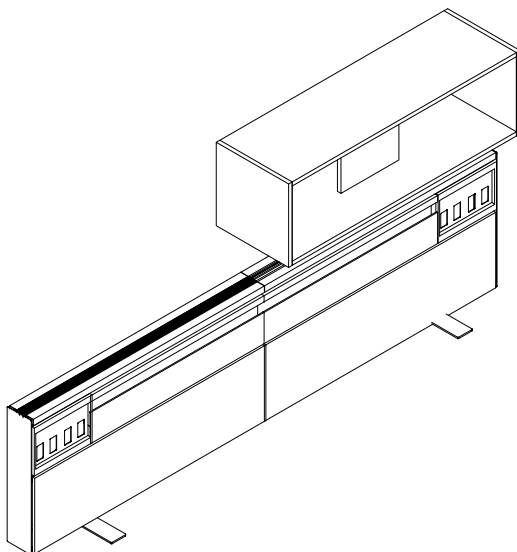


25"H Fence with Stanchion Mounted Open Wood Cabinet Elevation

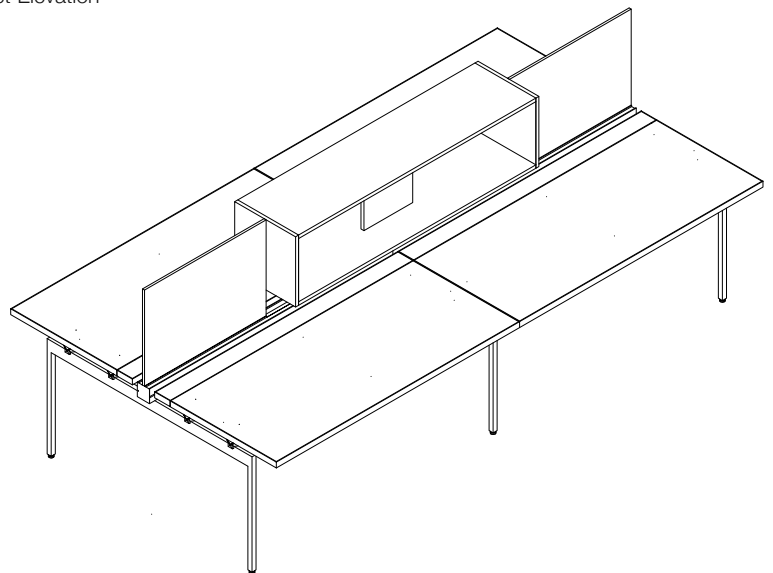
28 1/2"H Fence with Stanchion Mounted Open Wood Cabinet Elevation



Big Table with Stanchion Mounted Open Wood Cabinet Elevation



25"H Fence with Stanchion Mounted Open Wood Cabinet



Big Table with Stanchion Mounted Open Wood Cabinet and Screens

Stanchion Mounted Wood Storage *For Big Table and Fence* *Planning Guidelines and Specifications*

Stanchion Mounted Enclosed Wood Cabinets

Stanchion mounted enclosed wood cabinets provide binder storage within easy reach from a seated position. Cabinets are split with a center partition and a sliding door front on each side of the cabinet for shared use. Cabinets mount on big table center beam or on Fence, with storage stanchion supports, specified separately.

Enclosed wood cabinets are available in 36", 42", 48", 60" and 72" widths.

Each face of cabinet has a sliding door overlapping the recessed back of the cabinet facing the other side.

Cabinets can be specified with both openings on the left or both on the right side.

Cabinets can be specified in all laminate or veneer or mixed surface laminate: all "Interior" surfaces of laminate cabinet can be specified in a contrasting core or "pop" laminate. Partition and inset back are considered interior surfaces on both faces.

All stanchion mounted cabinets are 15"H x 15"D, with 13 ½" clear interior height for binder storage. Cabinet sides, top and bottom are ¾" thick, in laminate or veneer.

Construction

Case is composed of ¾" thick wood panels, with discreet glue-and-dowel connections.

Specification Options

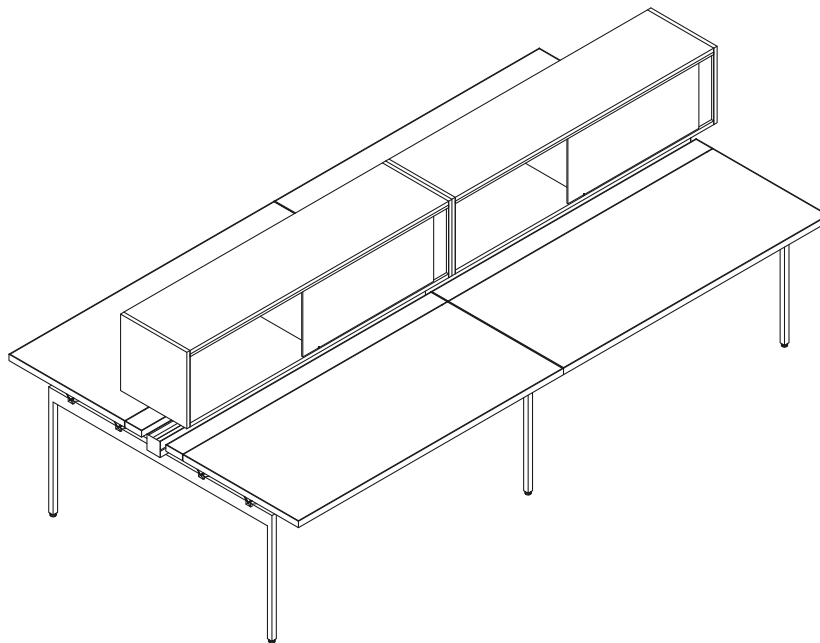
Specify laminate (L), "mixed" two-tone laminate (M) or veneer (V) case. Enclosed wood cabinets are non-locking.

Case finish exterior is available in any Knoll Core laminate or veneer. When the case exterior is laminate, case interior and inset back are available in any Knoll Core or Accent laminate. When an Accent laminate is specified, the edgeband will match the exterior core laminate finish.

Door sets are specified separately to enable any combination of wood or laminate case and doors. Specify drawer front sets in any Knoll Core laminate (L) or veneer (V).

Pulls are available in any Knoll Core paint finish, Dark Red or Slate Blue.

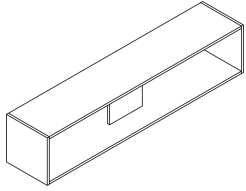
Specify stanchions separately.



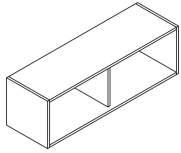
Big Table with Stanchion Mounted Shared Sliding Door Cabinets, Openings on Left

Stanchion Mounted Wood Storage For Big Table and Fence Open Cabinets

description	w	d	h	pattern no.	All Same	Different	Different	V1	V2	V3
					Laminate (Core Lam.) (L)	Laminate Case/ Interior (Core Lam.) (L)	Laminate Case/ Interior (Accent lam.) (L)			
Stanchion Mounted Cabinet, Open Front and Back	36"	15"	15"	YSUOS3615()	\$1,032.	\$1,136.	\$1,495.	\$1,495.	\$1,721.	\$2,238.
	42"	15"	15"	YSUOS4215()	1,091.	1,199.	1,546.	1,546.	1,779.	2,311.
	48"	15"	15"	YSUOS4815()	1,148.	1,263.	1,597.	1,597.	1,836.	2,386.
	60"	15"	15"	YSUOS6015()	1,434.	1,577.	1,996.	1,996.	2,295.	2,638.
	72"	15"	15"	YSUOS7215()	1,550.	1,705.	2,145.	2,145.	2,467.	3,207.

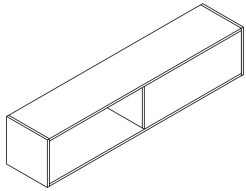


Stanchion Mounted Cabinet, Open Front and Enclosed Back	36"	15"	15"	YSUES3615()	1,205.	1,326.	1,646.	1,646.	1,893.	2,460.
	48"	15"	15"	YSUES4815()	1,377.	1,515.	1,896.	1,896.	2,180.	2,833.



(48" wide cabinet with septum shown)

Stanchion Mounted Shared Cabinet, Open Front and Enclosed Back Opening on Left	36"	15"	15"	YSUSNDL3615()	1,377.	n/a	n/a	2,124.	2,444.	3,175.
	42"	15"	15"	YSUSNDL4215()	1,405.	n/a	n/a	2,173.	2,497.	3,247.
	48"	15"	15"	YSUSNDL4815()	1,434.	n/a	n/a	2,219.	2,552.	3,317.
	60"	15"	15"	YSUSNDL6015()	1,491.	n/a	n/a	2,358.	2,710.	3,522.
	72"	15"	15"	YSUSNDL7215()	1,606.	n/a	n/a	2,453.	2,821.	3,667.



Ordering Information

Stanchion Mounted Cabinets

1. Pattern Number
2. Exterior Case Finish
3. Interior Case Finish (Laminate only)

Order Code

Stanchion Mounted Cabinets

Example: **YSUOS6015L, 118, 118**

YSUOS	Stanchion Mounted Cabinets
60	Width
15	Depth
L	Laminate
118	Bright White Laminate
118	Bright White Laminate

Included With

Stanchion Mounted Cabinets

Specify stanchion brackets for attachment to big table and fence separately

Options

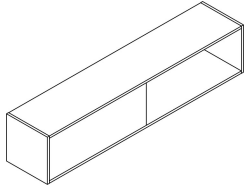
Stanchion Mounted Cabinets

Case Finish Options:

(L) = All the same or different laminates for the exterior and interior case
(V) = All the same veneer for the exterior and interior case

Stanchion Mounted Wood Storage For Big Table and Fence Open Cabinets

description	w	d	h	pattern no.	All Same	Different	Different	V1	V2	V3
					Laminate (Core Lam.) (L)	Laminate Case/ Interior (Core Lam.) (L)	Laminate Case/ Interior (Accent lam.) (L)			
Stanchion Mounted Shared Cabinet, Open Front and Enclosed Back Opening on Right	36"	15"	15"	YSUSNDR3615()	\$1,377.	n/a	n/a	\$2,124.	\$2,444.	\$3,175.
	42"	15"	15"	YSUSNDR4215()	1,405.	n/a	n/a	2,173.	2,497.	3,247.
	48"	15"	15"	YSUSNDR4815()	1,434.	n/a	n/a	2,219.	2,552.	3,317.
	60"	15"	15"	YSUSNDR6015()	1,491.	n/a	n/a	2,358.	2,710.	3,522.
	72"	15"	15"	YSUSNDR7215()	1,606.	n/a	n/a	2,453.	2,821.	3,667.



Ordering Information

Stanchion Mounted Cabinets

1. Pattern Number
2. Exterior Case Finish
3. Interior Case Finish
(Laminate only)

Order Code

Stanchion Mounted Cabinets

Example: **YSUOS6015L, 118, 118**

YSUOS	Stanchion Mounted Cabinets
60	Width
15	Depth
L	Laminate
118	Bright White Laminate
118	Bright White Laminate

Included With

Stanchion Mounted Cabinets

Specify stanchion brackets for attachment to big table and fence separately

Options

Stanchion Mounted Cabinets

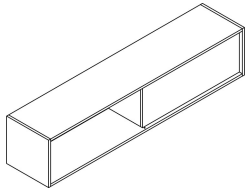
Case Finish Options:

(L) = All the same or different laminates for the exterior and interior case
(V) = All the same veneer for the exterior and interior case

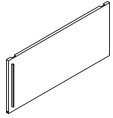
For Big Table and Fence

Shared Sliding Door Cabinets with Opening on Left

description	w	d	h	pattern no.	All Same	Different	Different	V1	V2	V3
					Laminate (Core Lam.) (L)	Laminate Case/ Interior (Core Lam.) (L)	Laminate Case/ Interior (Accent Lam.) (L)			
Stanchion Mounted Shared Sliding Door Cabinet Case, Opening on Left	36"	15"	15"	YSUSDL3615()	\$1,606.	\$1,766.	\$2,638.	\$2,638.	\$3,034.	\$3,945.
	42"	15"	15"	YSUSDL4215()	1,665.	1,830.	2,697.	2,697.	3,101.	4,030.
	48"	15"	15"	YSUSDL4815()	1,721.	1,893.	2,754.	2,754.	3,166.	4,117.
	60"	15"	15"	YSUSDL6015()	2,180.	2,399.	3,098.	3,098.	3,563.	4,630.
	72"	15"	15"	YSUSDL7215()	2,295.	2,524.	3,327.	3,327.	3,826.	4,973.



Sliding Door Kit for Stanchion Mounted Shared Sliding Doors Cabinet Case, Opening on Left	36"	3/4"	15"	YSSDL3615()	631.	n/a	n/a	889.	1,023.	1,330.
	42"	3/4"	15"	YSSDL4215()	660.	n/a	n/a	917.	1,056.	1,372.
	48"	3/4"	15"	YSSDL4815()	689.	n/a	n/a	947.	1,089.	1,416.
	60"	3/4"	15"	YSSDL6015()	718.	n/a	n/a	1,003.	1,158.	1,509.
	72"	3/4"	15"	YSSDL7215()	775.	n/a	n/a	1,091.	1,251.	1,630.

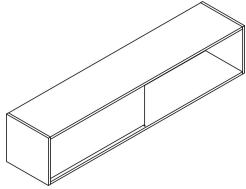


Ordering Information	Order Code	Included With	Options
Stanchion Mounted Cabinets 1. Pattern Number 2. Exterior Case Finish 3. Interior Case Finish (Laminate only)	Stanchion Mounted Cabinets <i>Example:</i> YSUSDL6015L, 118, 118 YSUSDL Stanchion Mounted Cabinets 60 Width 15 Depth L Laminate 118 Bright White Laminate 118 Bright White Laminate	Stanchion Mounted Cabinets Specify stanchion brackets for attachment to big table and fence separately Sliding Doors Hardware	Stanchion Mounted Cabinets Case Finish Options: (L) = All the same or different laminates for the exterior and interior case (V) = All the same veneer for the exterior and interior case Sliding Doors Door Finish Options: (L) = Laminate (V) = Veneer Door pulls are available in Knoll core paints, Dark Red (130) and Slate Blue (131) paint finishes.
Sliding Doors 1. Pattern Number 2. Door Finish 3. Pull Finish	Sliding Doors <i>Example:</i> YSSDL6015L, 118 YSSD Sliding Doors L Left 60 Width 15 Depth L Laminate 118 Bright White Laminate		

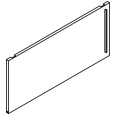
For Big Table and Fence

Shared Sliding Door Cabinets with Opening on Right

description	w	d	h	pattern no.	All Same	Different	Different	V1	V2	V3
					Laminate (Core Lam.) (L)	Laminate Case/ Interior (Accent Lam.) (L)	Laminate Case/ Interior (Accent Lam.) (L)			
Stanchion Mounted Shared Sliding Door Cabinet Case Opening on Right	36"	3/4"	15"	YSUSDR3615()	\$1,606.	\$1,766.	\$2,638.	\$2,638.	\$3,034.	\$3,945.
	42"	3/4"	15"	YSUSDR4215()	1,665.	1,830.	2,697.	2,697.	3,101.	4,030.
	48"	3/4"	15"	YSUSDR4815()	1,721.	1,830.	2,754.	2,754.	3,166.	4,117.
	60"	3/4"	15"	YSUSDR6015()	2,180.	2,399.	3,098.	3,098.	3,563.	4,630.
	72"	3/4"	15"	YSUSDR7215()	2,295.	2,524.	3,327.	3,327.	3,826.	4,973.



Sliding Door Kit for Stanchion Mounted Shared Sliding Doors Cabinet Case, Opening on Right	36"	15"	15"	YSSDR3615 ()	631.	n/a	n/a	889.	1,023.	1,330.
	42"	15"	15"	YSSDR4215 ()	660.	n/a	n/a	917.	1,056.	1,372.
	48"	15"	15"	YSSDR4815 ()	689.	n/a	n/a	947.	1,089.	1,416.
	60"	15"	15"	YSSDR6015 ()	717.	n/a	n/a	1,003.	1,158.	1,509.
	72"	15"	15"	YSSDR7215 ()	775.	n/a	n/a	1,091.	1,251.	1,630.



Ordering Information	Order Code	Included With	Options
<p>Stanchion Mounted Cabinets</p> <ol style="list-style-type: none"> 1. Pattern Number 2. Exterior Case Finish 3. Interior Case Finish (Laminate only) <p>Sliding Doors</p> <ol style="list-style-type: none"> 1. Pattern Number 2. Door Finish 3. Pull Type 4. Pull Finish 	<p>Stanchion Mounted Cabinets</p> <p><i>Example:</i> YSUSDR6015L, 118, 118</p> <hr/> <p>YSUSDR Stanchion Mounted Cabinets</p> <hr/> <p>60 Width</p> <hr/> <p>15 Depth</p> <hr/> <p>L Laminate</p> <hr/> <p>118 Bright White Laminate</p> <hr/> <p>118 Bright White Laminate</p> <hr/> <p>Sliding Doors</p> <p><i>Example:</i> YSSDR6015L, 118</p> <hr/> <p>YSSD Sliding Doors</p> <hr/> <p>R Right</p> <hr/> <p>60 Width</p> <hr/> <p>15 Depth</p> <hr/> <p>L Laminate</p> <hr/> <p>118 Bright White Laminate</p>	<p>Stanchion Mounted Cabinets</p> <p>Specify stanchion brackets for attachment to big table and fence separately</p> <p>Sliding Doors Hardware</p>	<p>Stanchion Mounted Cabinets</p> <p>Case Finish Options: (L) = All the same or different laminates for the exterior and interior case (V) = All the same veneer for the exterior and interior case</p> <p>Sliding Doors</p> <p>Door Finish Options: (L) = Laminate (V) = Veneer</p> <p>Door pulls are available in Knoll core paints, Dark Red (130) and Slate Blue (131) paint finishes.</p>

Stanchion Mounted Metal Storage For Big Table and Fence Planning Guidelines and Specifications

Stanchion Mounted Metal Open Cabinets

Stanchion mounted metal open cabinets provide binder storage within easy reach from a seated position. Cabinets are open both front and back for shared use.

Cabinets mount on big table center beam or on Fence, with storage stanchion supports, specified separately.

Open front and back cabinets are available in 36", 42", 48", 60" and 72" widths. A center panel parallel to the open front and back provides structural support, and serves to filter sightlines through the cabinet. Cabinets 36"W have a 6" wide center panel, cabinets 48" and wider have a 12" wide center panel. Enclosed back cabinets are available in 36", 42", 48", 60" and 72" widths. Enclosed back cabinet has a full back, recessed 1/2" for optional fabric insert, specified separately.

All stanchion mounted cabinets are 15"H x 15"D, with 13 1/2" clear interior height for binder storage. Cabinet sides, top and bottom are painted steel finish.

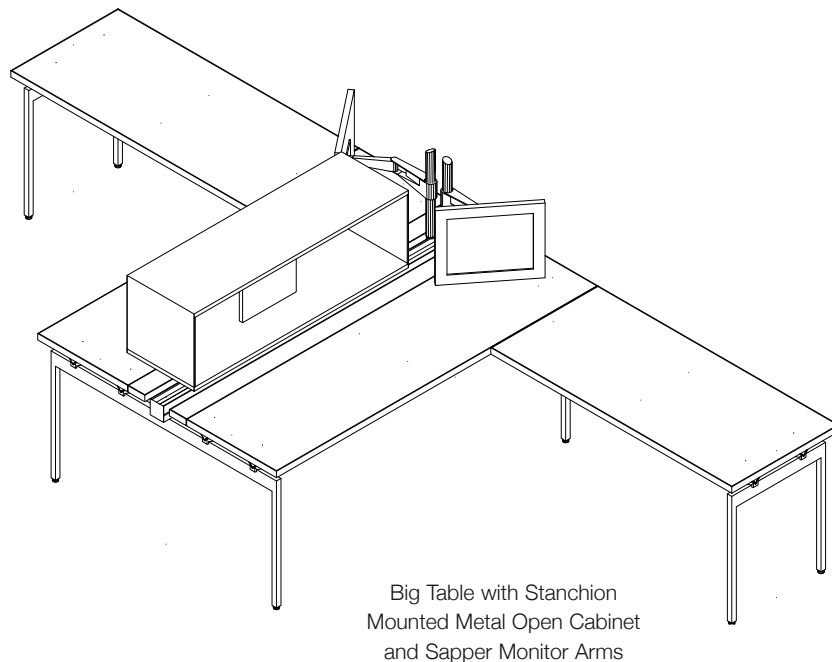
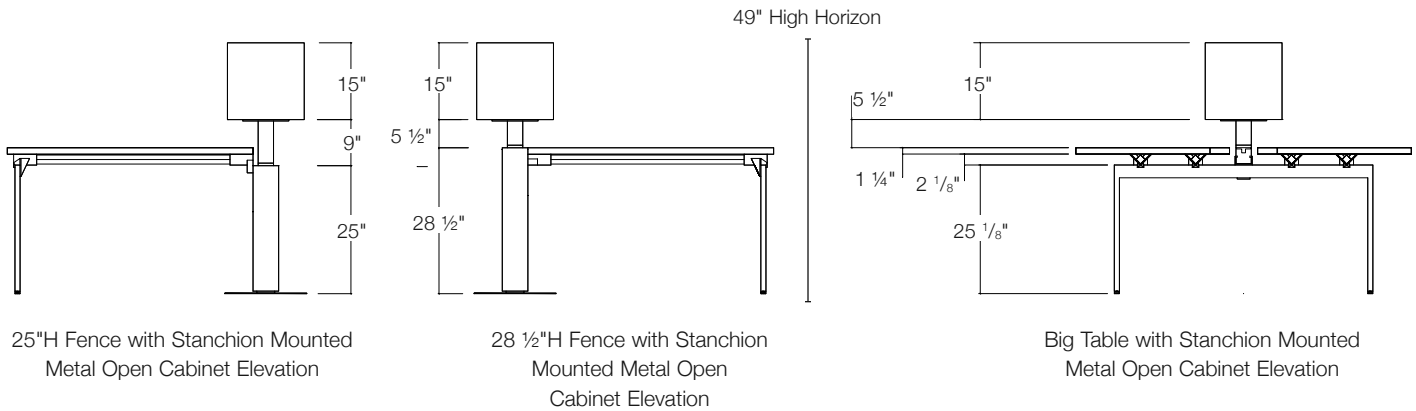
Construction

Cabinet top and bottom are formed to 3/4" thick, and sides are flat, heavy gauge steel.

Specification Options

Specify case in any Knoll Core paint finish.

Specify stanchions separately.



Stanchion Mounted Metal Storage For Big Table and Fence Planning Guidelines and Specifications

Stanchion Mounted Shared Metal Cabinets

Stanchion mounted shared metal cabinets provide binder storage within easy reach from a seated position. Cabinets are split with a center partition and available open or with a sliding door front on each face. Cabinets mount on big table center beam or on Fence, with a pair of storage stanchion supports, specified separately.

Shared cabinets are available in 36", 42", 48", 60" and 72" widths. Each face of cabinet has a sliding door overlapping the recessed back of the cabinet facing the other side. Cabinets can be specified with both openings on the left or both on the right side.

Cabinets can be specified in all painted finish case and interior, with matching or contrasting doors finish.

All stanchion mounted cabinets are 15"H x 15"D, with 13 1/2" clear interior height for binder storage.

Construction

Cabinet top and bottom are formed to 3/4" thick, and sides are flat, heavy gauge steel.

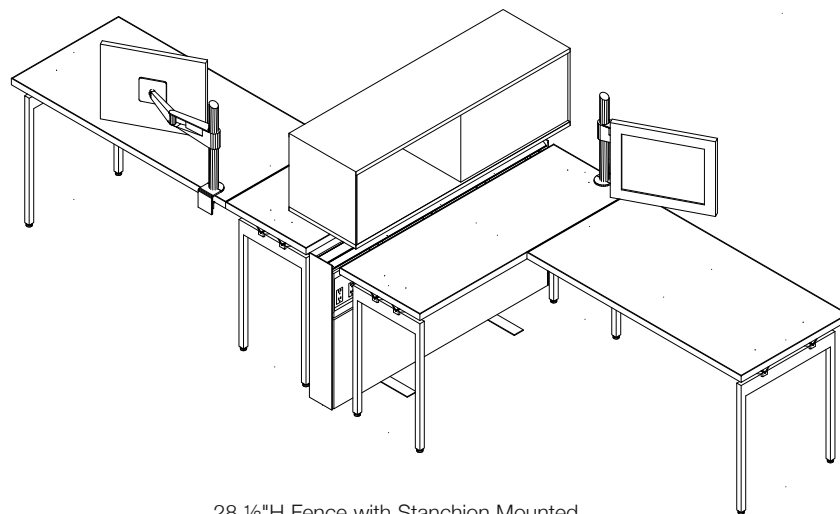
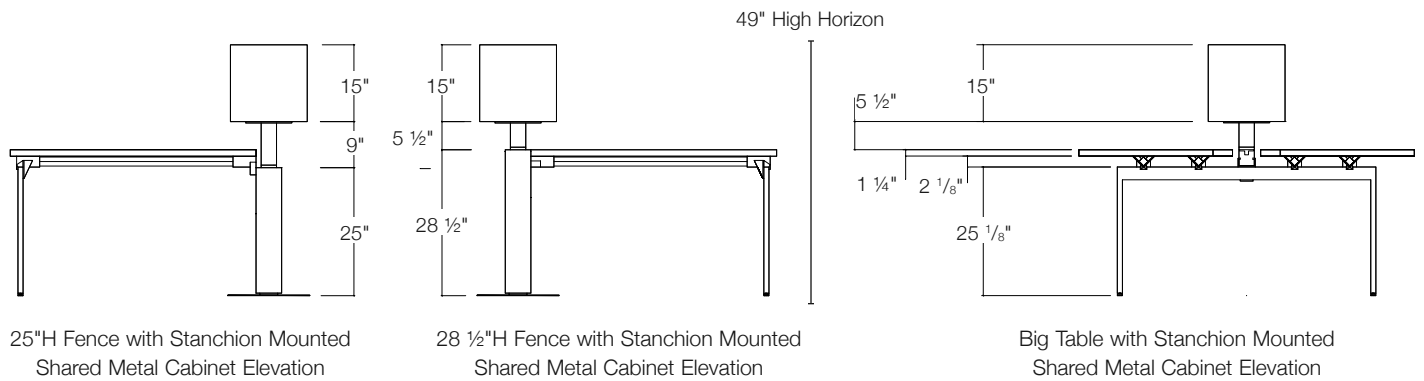
Specification Options

Specify locking (L) or non-locking (N).

When different paint finishes are being selected for the case, doors or pulls, add a (Y) suffix to the pattern number. If a single paint finish is being specified for all components add an (S).

Specify case, doors and pulls in any Knoll Core paint finish.

Specify stanchions separately.



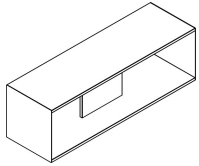
28 1/2"H Fence with Stanchion Mounted Shared Metal Cabinet and Antenna Desks

Stanchion Mounted Metal Storage

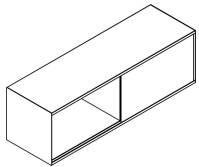
For Big Table and Fence

Open and Shared Cabinets

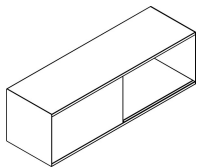
description	w	d	h	pattern no.	list	P2	P3
Stanchion Mounted Cabinets, Open Front and Back	36"	15"	15"	YSMUOS36	\$726.	\$795.	\$830.
	42"	15"	15"	YSMUOS42	750.	821.	856.
	48"	15"	15"	YSMUOS48	777.	852.	890.
	60"	15"	15"	YSMUOS60	947.	1,038.	1,084.
	72"	15"	15"	YSMUOS72	1,010.	1,110.	1,158.



Stanchion Mounted Shared Cabinets, with Enclosed Back and Open Front, Opening on Left	36"	15"	15"	YSMUSOL36	848.	933.	976.
	42"	15"	15"	YSMUSOL42	883.	971.	1,017.
	48"	15"	15"	YSMUSOL48	920.	1,012.	1,060.
	60"	15"	15"	YSMUSOL60	1,112.	1,223.	1,278.
	72"	15"	15"	YSMUSOL72	1,183.	1,301.	1,361.



Stanchion Mounted Shared Cabinets, with Enclosed Back and Open Front, Opening on Right	36"	15"	15"	YSMUSOR36	848.	933.	976.
	42"	15"	15"	YSMUSOR42	883.	971.	1,017.
	48"	15"	15"	YSMUSOR48	920.	1,012.	1,060.
	60"	15"	15"	YSMUSOR60	1,112.	1,223.	1,278.
	72"	15"	15"	YSMUSOR72	1,183.	1,301.	1,361.



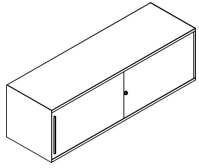
Ordering Information	Order Code	Included With	Options
Stanchion Mounted Open Cabinets 1. Pattern Number 2. Case Paint Finish	Stanchion Mounted Open Cabinets <hr/> <i>Example:</i> YSMUOS48, 118T <hr/> YSMUOS Stanchion Mounted Cabinets <hr/> 48 Width <hr/> 118T Bright White Paint <hr/>	Stanchion Mounted Open Cabinets Specify stanchion brackets for attachment to big table and fence separately.	Stanchion Mounted Open Cabinets

Stanchion Mounted Metal Storage

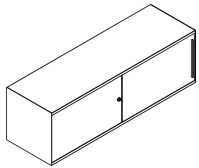
For Big Table and Fence

Open and Shared Cabinets

description	w	d	h	pattern no.	list	P2	P3
Stanchion Mounted Shared Cabinets, with Sliding Doors, Opening On Left	36"	15"	15"	YSMUSDL36L()	\$1,059.	\$1,158.	\$1,210.
	42"	15"	15"	YSMUSDL42L()	1,096.	1,201.	1,254.
	48"	15"	15"	YSMUSDL48L()	1,133.	1,240.	1,296.
	60"	15"	15"	YSMUSDL60L()	1,336.	1,464.	1,528.
	72"	15"	15"	YSMUSDL72L()	1,438.	1,576.	1,646.



Stanchion Mounted Shared Cabinets, with Sliding Doors, Opening On Right	36"	15"	15"	YSMUSDR36L()	1,059.	1,158.	1,210.
	42"	15"	15"	YSMUSDR42L()	1,096.	1,201.	1,254.
	48"	15"	15"	YSMUSDR48L()	1,133.	1,240.	1,296.
	60"	15"	15"	YSMUSDR60L()	1,336.	1,464.	1,528.
	72"	15"	15"	YSMUSDR72L()	1,438.	1,576.	1,646.



Ordering Information

Stanchion Mounted Open Cabinets

1. Pattern Number
2. Case Paint Finish

Order Code

Stanchion Mounted Open Cabinets

Example: YSMUOS48, 118T

YSMUOS Stanchion Mounted Cabinets

48 Width

118T Bright White Paint

Included With

Stanchion Mounted Open Cabinets

Specify stanchion brackets for attachment to big table and fence separately.

Options

Stanchion Mounted Open Cabinets

Stanchion Mounted Platform

For Big Table and Fence

Planning Guidelines and Specifications

Stanchion Mounted Platforms

Platforms are a rectangular laminate or veneer surface that mounts on stanchions on the center beam of a big table or on the crown of either height Fence. Specify a pair of storage support stanchions separately.

Platforms are 15"D, and centered over the stanchions, in widths from 24"-72" in 6" increments.

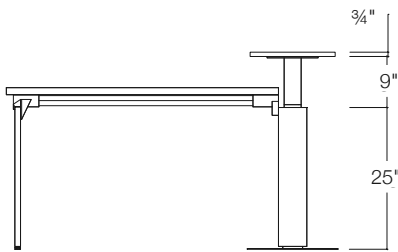
Construction

Platforms are 3/4" thick particle MDF with high pressure laminate surface or veneer. Threaded inserts are positioned over stanchion locations.

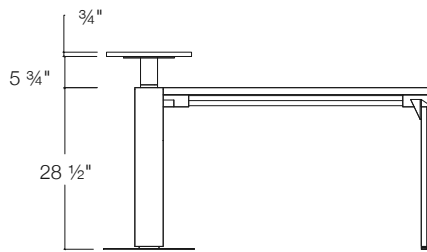
Specification Options

Specify either a laminate (L) or veneer (V) surface. Surface finish is available in any Knoll Core laminate or veneer finish.

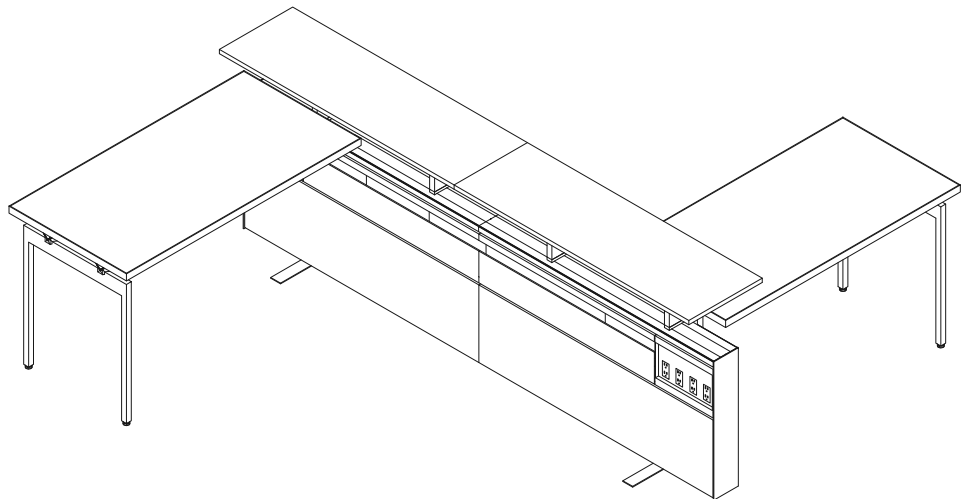
Specify stanchions separately.



25"H Fence with Stanchion Mounted Platform Elevation



28 1/2"H Fence with Stanchion Mounted Platform Elevation

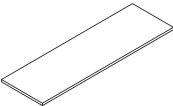


25"H Fence with Stanchion Mounted Platforms and Antenna Desks

Stanchion Mounted Platform

For Big Table and Fence

15" Deep

description	w	d	h	pattern no.	Laminate (L)	V1 (V)	V2 (V)	V3 (V)
Platform 	24"	15"	3/4"	YSUOP24()	\$160.	\$384.	\$443.	\$598.
	30"	15"	3/4"	YSUOP30()	173.	400.	460.	622.
	36"	15"	3/4"	YSUOP36()	195.	411.	472.	638.
	48"	15"	3/4"	YSUOP48()	241.	429.	494.	667.
	60"	15"	3/4"	YSUOP60()	275.	473.	543.	734.
	72"	15"	3/4"	YSUOP72()	287.	493.	569.	766.

Ordering Information

1. Pattern Number
2. Surface Finish

Order Code

Platform
Example: YSUOP48L, 118
YSUOP Platform
48 Width
L Laminate

Included With

Platform
 Hardware
 Specify stanchion brackets for attachment to big table and fence separately

Options

Platform
Surface Finish Options
 (L) = Laminate
 (V) = Veneer

Stanchion Supports

Planning Guidelines and Specifications

Supports for Stanchion Mounted Cabinets and Platforms

Storage support stanchions lift underside of platforms or stanchion mounted wood or metal storage cabinets to 34" above the floor. Top of open or enclosed storage cabinets on stanchions align with Antenna 49" horizon.

Supports are available in sets of two for platforms or storage units up to 60" wide. Specify set of three stanchions for cabinets wider than 60".

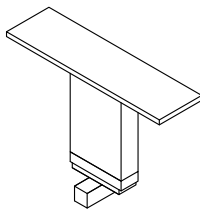
Select supports kit according to application on Big Table center beam, 25"H Fence, or 28"H Fence.

Construction

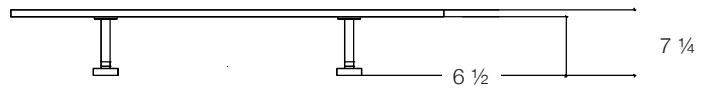
Stanchions are extruded aluminum, with cast adapters specific to center beam or Fence. Top plate connector to storage is steel.

Specification Options

Stanchions are available in any Knoll Core paint finish, Dark Red or Slate Blue.



Stanchion



Platforms up to 60" wide require 2 stanchions

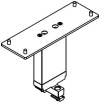
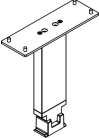
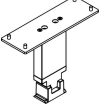


Platforms wider than 60" require 3 stanchions

Stanchion Planning Guidelines

Stanchion Supports

For Big Table and Fence

description	type	w	d	h	pattern no.	list
 Stanchions for Big Table	(2) stanchions for cabinets/platforms up to 60" wide	3"	1 1/4"	5"	YSUS2BT	\$115.
	(3) stanchions for cabinets/platforms wider than 60"	3"	1 1/4"	5"	YSUS3BT	173.
 Stanchions for 25" High Fence	(2) stanchions for cabinets/platforms up to 60" wide	3"	1 1/4"	8"	YSUS2F25	126.
	(3) stanchions for cabinets/platforms wider than 60"	3"	1 1/4"	8"	YSUS3F25	190.
 Stanchions for 28 1/2" High Fence	(2) stanchions for cabinets/platforms up to 60" wide	3"	1 1/4"	5"	YSUS2F28	115.
	(3) stanchions for cabinets/platforms wider than 60"	3"	1 1/4"	5"	YSUS3F28	173.

Ordering Information	Order Code	Included With	Options
Stanchions 1. Pattern Number 2. Paint Finish	Stanchions <i>Example:</i> YSUS2BT, 118T YSUS Stanchions 2 Quantity BT Big Table 118T Bright White Paint	Stanchions Hardware	Stanchions

Cantilever Shelves

Planning Guidelines and Specifications

Cantilever Shelves

Cantilever shelves provide additional level of work surface 6" above Big Table tops. Cantilever shelves are supported independently at any point on either side of Big Table center beam. Cantilever shelves are available in 12"D x 12" or 24" wide laminate or veneer surface 3/4" thick. Maximum weight limit for a 12" x 12" shelf is 58 lbs and for a 12" x 24" shelf is 29 lbs.

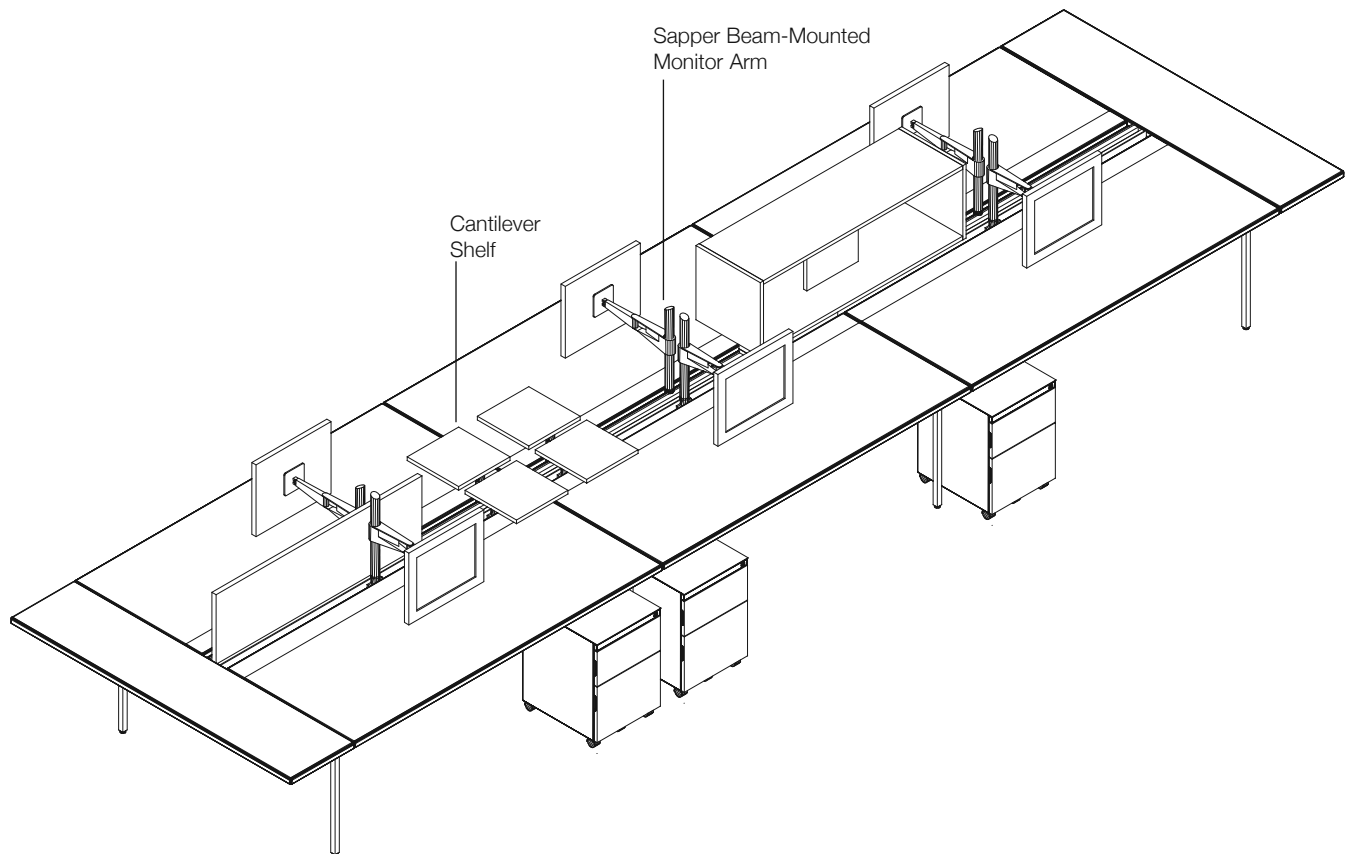
Construction

Cantilever shelves are solid MDF with veneer or laminate surface

Specification Options

Specify either a laminate (L) or veneer (V) surface. Surface finish is available in any Knoll Core laminate or veneer finish.

Cantilever support bracket is available in any Knoll Core paint finish, Dark Red or Slate Blue.

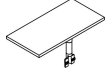


Big Table with Accessories

Cantilever Shelves

12" and 24" Wide

description	w	d	h	pattern no.	Laminate (L)	V1 (V)	V2 (V)	V3 (V)
Cantilever Shelf for Big Table, attaches to center beam	12"	12"	12"	YSCS1212()	\$287.	\$402.	\$459.	\$619.
	24"	12"	12"	YSCS2412()	310.	436.	539.	803.



Ordering Information

Cantilever Shelf

1. Pattern Number
2. Shelf Finish
3. Support/Bracket Paint Finish

Order Code

Cantilever Shelf

Example: YSCS2412L, 118, 118T

YSCS	Cantilever Shelf
24	Width
12	Depth
L	Laminate
118	Bright White Laminate
118T	Bright White Paint

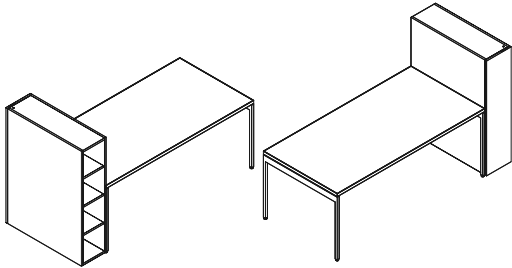
Included With

Cantilever Shelf
Support column
Hardware

Options

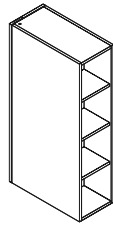
Cantilever Shelf
Finish Options:
(L) = Laminate
(V) = Veneer

Personal Desk-End Cabinets with Open Front and Hinged Door Back

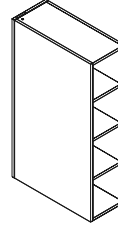


Desk with Personal Desk End Cabinet with Open Front and Hinged Door Back, Front

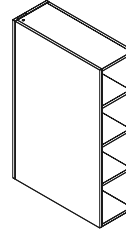
Desk with Personal Desk End Cabinet with Open Front and Hinged Door Back, Back



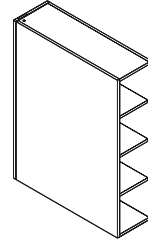
24" Deep



27" Deep

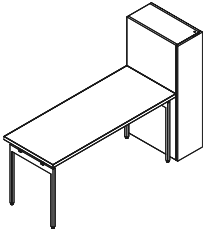


30" Deep

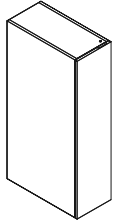


36" Deep

Personal Desk-End Cabinets with Hinged Door

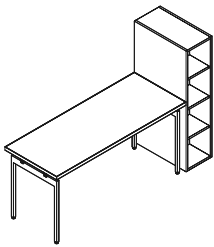


Desk with Personal Desk End Cabinet with Hinged Door

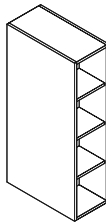


24" Deep

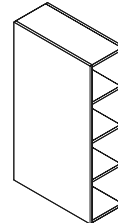
Shared Desk-End Cabinets with Open Front and Back



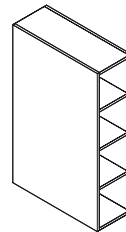
Desk with Shared Desk End Cabinet with Open Front and Back



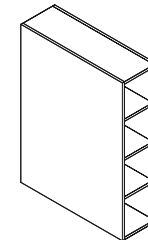
24" Deep



27" Deep

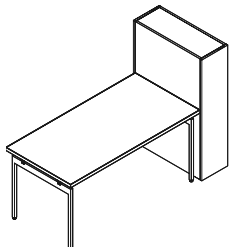


30" Deep

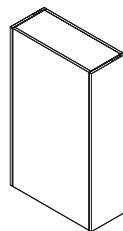


36" Deep

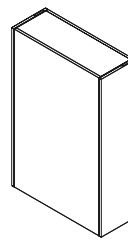
Shared Desk-End Cabinets with Hinged Door Front and Back



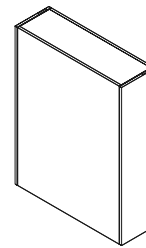
Desk with Shared Desk End Cabinet with Hinged Door Front and Back



27" Deep

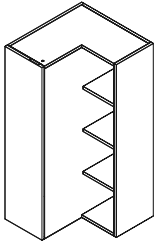


30" Deep

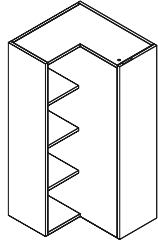


36" Deep

L Cabinets



Door on Left



Door on Right

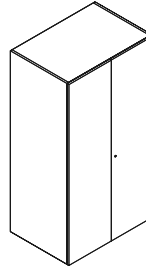
Wardrobe Cabinets



18" Wide
Hinged on Left

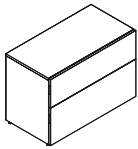


18" Wide
Hinged on Right

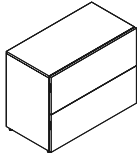


36" Wide
Double Doors

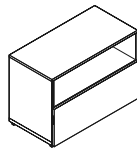
File Cabinets



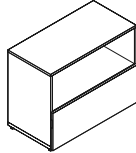
25" High



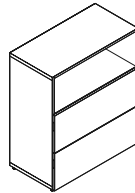
28" High



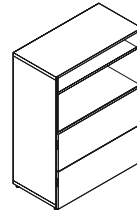
25" High



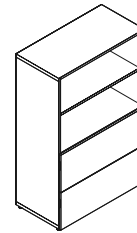
28" High



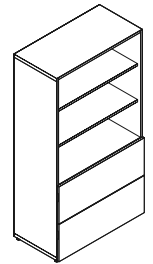
42" High



49" High

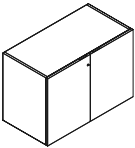


56" High

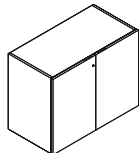


67" High

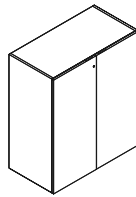
Enclosed Shelf Cabinets



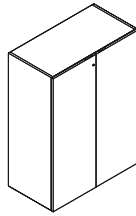
25" High



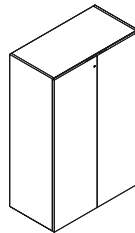
28" High



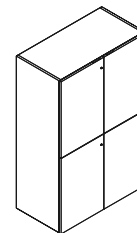
42" High



49" High

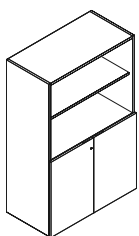


56" High

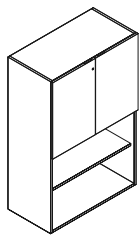


56" High

Partially Enclosed Shelf Cabinets

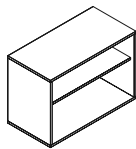


56" High

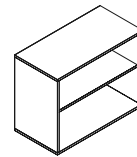


56" High

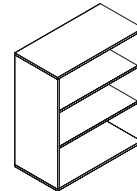
Open Shelf Cabinets



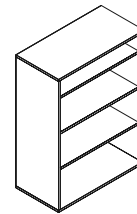
25" High



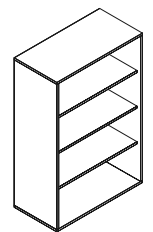
28" High



42" High



49" High



56" High

Personal Desk-End Cabinets

Desk-end cabinets are space-efficient storage designed to provide enclosure at the end of a desk. Personal desk-end cabinets include brackets to secure side of cabinet to adjacent desk for stability.

Personal desk-end cabinets are 49"H, 12"W, and available in 24", 27", 30" and 36" depths.

Personal desk-end cabinets 27"-36"D include a partition dividing the depth of the cabinet, with three adjustable 12 1/2"D shelves in front and a coat hook and door in back.

Personal desk-end cabinet 24"D includes a fixed, flush back, and three adjustable 12 1/2"D shelves and door in front. Space in front of shelves is suitable for coat storage, with coathook included.

Shared desk-end cabinets can be specified in any core laminate or veneer for case, shelves and door.

Enclosed desk-end cabinets can also be specified in laminate with contrasting laminate or veneer doors.

Construction

Desk-end cabinets are composed of 3/4" MDF panels joined in discreet, glue-and-dowel construction.

Doors open 135 degrees for easy access.

Desk-end cabinets include levelers with 1 1/2" travel.

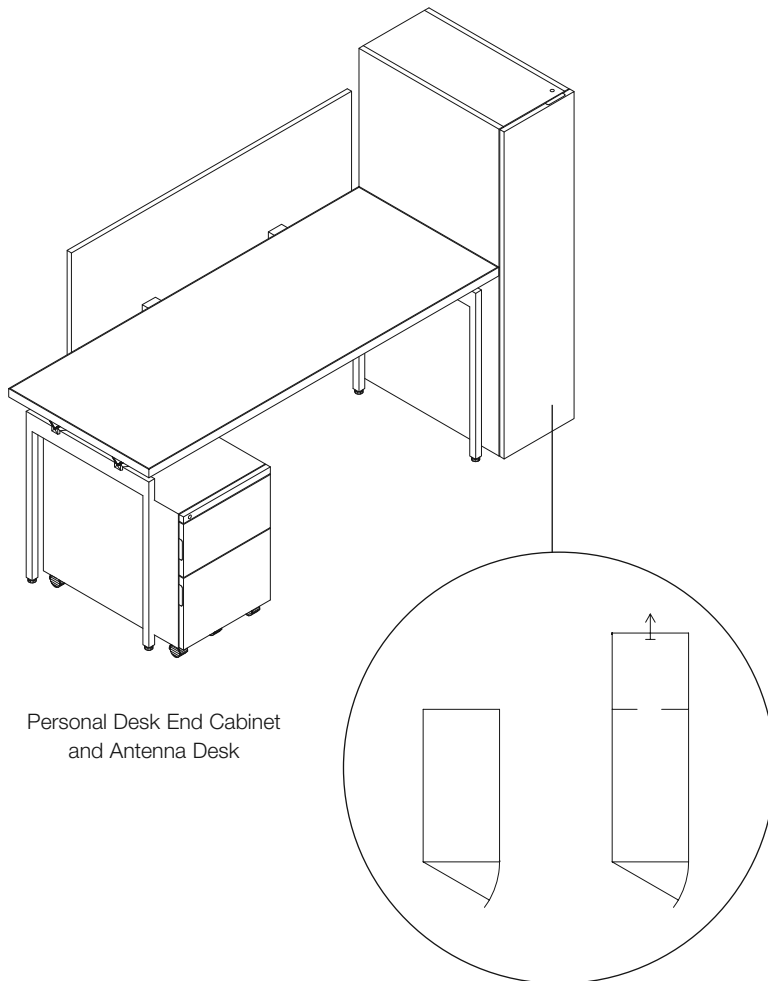
Specification Options

Specify laminate (L), "mixed" two-tone laminate or laminate case with veneer front (M) or veneer (V) case. Cabinets are available either locking (L) or non-locking (N).

Case finish exterior is available in any Knoll Core laminate or veneer. When case exterior is specified laminate, specify drawer front finish in any Knoll Core laminate (L) or veneer (V).

Specify pull type: Edge (E), Insert (I) or Loop (O). Edge pulls are available in any Knoll Core paint finish, Dark Red, Slate Blue or in Chrome (PD). Loop pulls are available in any Knoll Core paint finish, Dark Red or Slate Blue. Insert pulls are available in Chrome (PD).

Brackets may be specified in any Knoll Core paint finish, Dark Red or Slate Blue.



Personal Desk End Cabinet and Antenna Desk

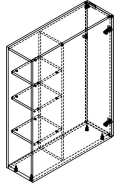
Personal Desk End Cabinets

Floorstanding Personal Desk-End Cabinets

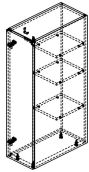
49" High, Hinged on Left

Antenna Workspaces

description	type	w	d	h	pattern no.	All Same	Laminate	Laminate	Laminate	All V1 (V)	All V2 (V)	All V3 (V)
						Laminate (L)	Case w/ V1 Fronts (M)	Case w/ V2 Fronts (M)	Case w/ V3 Fronts (M)			
Personal Desk-End Cabinets, Open Front with Shelves and Hinged Door Back (Hinged on Left)	For 24" Deep Desks	12"	24 ⁷ / ₈ "	49"	YSFCDL4924 (JL)	\$2,409.	\$2,650.	\$2,770.	\$2,892.	\$4,141.	\$4,762.	\$6,190.
	For 27" Deep Desks	12"	27 ⁷ / ₈ "	49"	YSFCDL4927 (JL)	2,467.	2,714.	2,837.	2,960.	4,240.	4,877.	6,340.
	For 30" Deep Desks	12"	29 ⁷ / ₈ "	49"	YSFCDL4930 (JL)	2,524.	2,778.	2,903.	3,029.	4,340.	4,992.	6,488.
	For 36" Deep Desks	12"	35 ⁷ / ₈ "	49"	YSFCDL4936 (JL)	2,582.	2,839.	2,969.	3,098.	4,439.	5,106.	6,638.



Personal Desk-End Cabinets, with Hinged Door (Hinged on Left)	For 24" Deep Desks	12"	24 ⁷ / ₈ "	49"	YSFCDEL4924 (JL)	2,498.	2,749.	2,874.	2,999.	4,323.	4,971.	6,463.
--	--------------------	-----	----------------------------------	-----	-------------------------	--------	--------	--------	--------	--------	--------	--------



Ordering Information

Personal Desk-End Cabinets

1. Pattern Number
2. Case/Shelves Finish
3. Door Finish
4. Pull Type
5. Pull Finish
6. Bracket Paint Finish

Order Code

Personal Desk-End Cabinets

Example: **YSFCDEL4924LL, 118, 118, E, 118T, 118T**

YSFCDE	Personal Desk-End Cabinets
L	Left Hinged Door
49	Height
24	Depth
L	Laminate
L	Lock
118	Bright White Laminate
118	Bright White Laminate
E	Edge Pull
118T	Bright White Paint
118T	Bright White Paint

Included With

Personal Desk-End Cabinets with Shelves and Door

Hardware
(3) Adjustable Shelves
Coat Hooks

Personal Desk-End Cabinets with Hinged Door

Hardware
(3) Adjustable Shelves
Coat Hook

Options

Personal Desk-End Cabinets

Case Finish Options:

(L) = All the same laminate for the exterior case/shelves and door front
(M) = Laminate exterior case/shelves and veneer door front
(V) = All the same veneer for the exterior case/shelves and door front

Lock Options:

To specify a personal desk-end cabinet without a lock, replace the "L" suffix in the pattern number with an "N".

Door Pull Options:

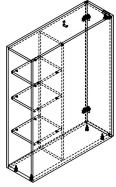
(E) = Edge Pull
(I) = Insert Pull
(O) = Loop Pull

See planning guide page for door pull finish options.

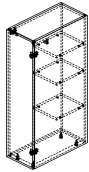
Floorstanding Personal Desk-End Cabinets

49" High, Hinged on Right

description	type	w	d	h	pattern no.	All Same	Laminate	Laminate	Laminate	All V1	All V2	All V3
						Laminate (L)	Case w/ V1 Fronts (M)	Case w/ V2 Fronts (M)	Case w/ V3 Fronts (M)			
Personal Desk-End Cabinets, Open Front with Shelves and Hinged Door Back (Hinged on Right)	For 24" D Desks	12"	24 ⁷ / ₈ "	49"	YSFCDR4924()L	\$2,409.	\$2,650.	\$2,770.	\$2,892.	\$4,141.	\$4,762.	\$6,190.
	For 27" D Desks	12"	27 ⁷ / ₈ "	49"	YSFCDR4927()L	2,467.	2,714.	2,837.	2,960.	4,240.	4,877.	6,340.
	For 30" D Desks	12"	29 ⁷ / ₈ "	49"	YSFCDR4930()L	2,524.	2,778.	2,903.	3,029.	4,340.	4,992.	6,488.
	For 36" D Desks	12"	35 ⁷ / ₈ "	49"	YSFCDR4936()L	2,582.	2,839.	2,969.	3,098.	4,337.	5,106.	6,638.



Personal Desk-End Cabinets, with Hinged Door (Hinged on Right)	For 24" D Desks	12"	24 ⁷ / ₈ "	49"	YSFCDER4924()L	2,498.	2,749.	2,874.	2,999.	4,323.	4,971.	6,463.
--	-----------------	-----	----------------------------------	-----	------------------------	--------	--------	--------	--------	--------	--------	--------



Ordering Information

Personal Desk-End Cabinets

1. Pattern Number
2. Case/Shelves Finish
3. Door Finish
4. Pull Type
5. Pull Finish
6. Bracket Paint Finish

Order Code

Personal Desk-End Cabinets

Example: **YSFCDEL4924LL, 118, 118, E, 118T, 118T**

YSFCDE	Personal Desk-End Cabinets
L	Left Hinged Door
49	Height
24	Depth
L	Laminate
L	Lock
118	Bright White Laminate
118	Bright White Laminate
E	Edge Pull
118T	Bright White Paint
118T	Bright White Paint

Included With

Personal Desk-End Cabinets with Shelves and Door

Hardware
(3) Adjustable Shelves
Coat Hooks

Personal Desk-End Cabinets with Hinged Door

Hardware
(3) Adjustable Shelves
Coat Hook

Options

Personal Desk-End Cabinets

Case Finish Options:

(L) = All the same laminate for the exterior case/shelves and door front
(M) = Laminate exterior case/shelves and veneer door front
(V) = All the same veneer for the exterior case/shelves and door front

Lock Options:

To specify a personal desk-end cabinet without a lock, replace the "L" suffix in the pattern number with an "N".

Door Pull Options:

(E) = Edge Pull
(I) = Insert Pull
(O) = Loop Pull

See planning guide page for door pull finish options.

Shared Desk-End Cabinets

Desk-end cabinets are space-efficient storage designed to provide enclosure at the end of a desk. Shared desk-end cabinets include brackets to secure side of cabinet to adjacent desk for stability.

Shared desk-end cabinets include a center partition dividing the depth of the cabinet, with openings in the front and back.

Open shared end cabinet includes three adjustable shelves on each side of the partition.

Open shared desk-end cabinets are 49"H, 12"W, and available in 24", 27", 30" and 36" depths.

Enclosed shared desk-end cabinets provide shared coat storage, and include a hinged door and a coat hook on each side. Specify shelves for one or both sides separately.

Adjustable shelf sets are available in sets of three, corresponding to the depth of the cabinet.

Enclosed shared desk-end cabinets are 49"H, 12"W, and available in 27", 30" and 36" depths.

Shared desk-end cabinets can be specified in any core laminate or veneer for case, shelves and door.

Enclosed desk-end cabinets can also be specified in laminate with contrasting laminate or veneer doors.

Construction

Desk-end cabinets are composed of ¾" MDF panels joined in discreet, glue-and-dowel construction.

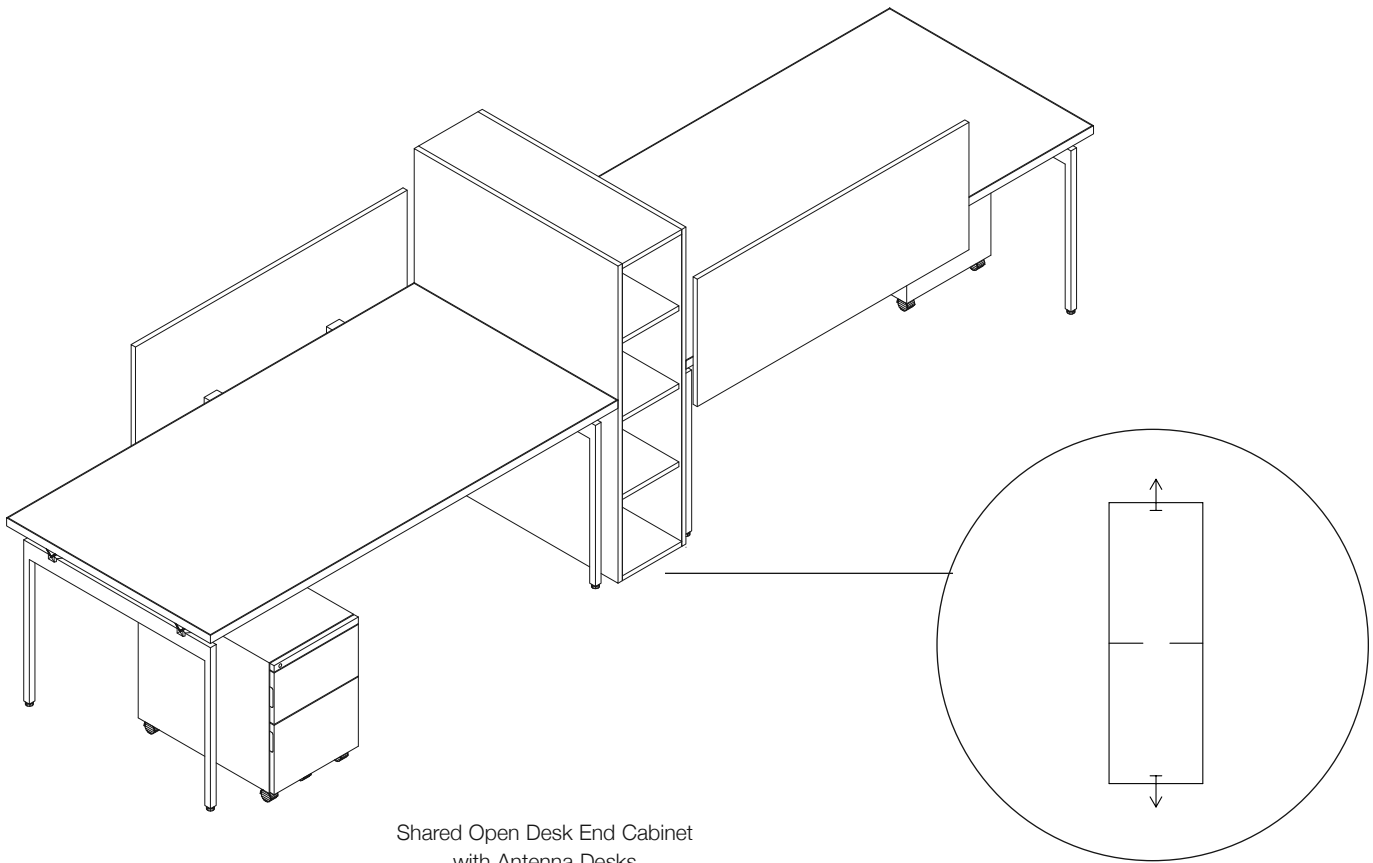
Specification Options

Specify laminate (L), "mixed" two-tone laminate or laminate case with veneer front (M) or veneer (V) case. Cabinets are available either locking (L) or non-locking (N).

Case finish exterior is available in any Knoll Core laminate or veneer. When case exterior is specified laminate, specify drawer front finish in any Knoll Core laminate (L) or veneer (V).

Specify pull type: Edge (E), Insert (I) or Loop (O). Edge pulls are available in any Knoll Core paint finish, Dark Red, Slate Blue or in Chrome (PD). Loop pulls are available in any Knoll Core paint finish, Dark Red or Slate Blue. Insert pulls are available in Chrome (PD).

Brackets may be specified in any Knoll Core paint finish, Dark Red or Slate Blue.



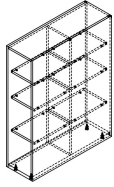
Shared Open Desk End Cabinet
with Antenna Desks

Shared Desk End Cabinet

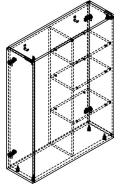
Floorstanding Shared Desk-End Cabinets

49" High

description	type	w	d	h	pattern no.	All Same	Laminate	Laminate	Laminate	All V1	All V2	All V3
						Laminate (L)	Case w/ V1 Fronts (M)	Case w/ V2 Fronts (M)	Case w/ V3 Fronts (M)			
Shared Desk-End Cabinets, Open Front and Back with Shelves	For 24" Deep Desks	12"	24"	49"	YSFCDO4924()	\$2,123.	n/a	n/a	n/a	\$3,491.	\$4,015.	\$5,220.
	For 27" Deep Desks	12"	27"	49"	YSFCDO4927()	2,180.	n/a	n/a	n/a	3,591.	4,130.	5,369.
	For 30" Deep Desks	12"	30"	49"	YSFCDO4930()	2,238.	n/a	n/a	n/a	3,692.	4,246.	5,519.
	For 36" Deep Desks	12"	36"	49"	YSFCDO4936()	2,295.	n/a	n/a	n/a	3,790.	4,360.	5,667.



Shared Desk-End Cabinets, Enclosed Hinged Door Front and Back	For 27" Deep Desks	12"	28 ⁷ / ₈ "	49"	YSFCDE4927()L	2,483.	2,731.	2,855.	2,980.	4,096.	4,710.	6,124.
	For 30" Deep Desks	12"	31 ⁷ / ₈ "	49"	YSFCDE4930()L	2,517.	2,768.	2,896.	3,022.	4,153.	4,777.	6,209.
	For 36" Deep Desks	12"	37 ⁷ / ₈ "	49"	YSFCDE4936()L	2,604.	2,865.	2,993.	3,124.	4,295.	4,939.	6,422.



Ordering Information	Order Code	Included With	Options
Shared Desk-End Cabinets 1. Pattern Number 2. Case/Shelves Finish 3. Door Finish 4. Pull Type 5. Pull Finish 6. Bracket Paint Finish	Shared Desk-End Cabinets <i>Example:</i> YSFCDE4930LL, 118, 118, E, 118T, 118T YSFCDE Shared Desk-End Cabinets 49 Height 30 Depth L Laminate L Lock 118 Bright White Laminate 118 Bright White Laminate E Edge Pull 118T Bright White Paint 118T Bright White Paint	Shared Desk-End Cabinets, Open Front and Back Hardware (6) Adjustable Shelves Shared Desk-End Cabinets, Enclosed Hinged Door Front and Back Hardware (2) Coat Hooks Shelves for one or both sides are specified separately Shelves (3) Shelves Hardware	Shared Desk-End Cabinets Case/Shelf Finish Options: (L) = All the same laminate for the exterior case/shelves and door front (M) = Laminate exterior case/shelves and veneer door front (V) = All the same veneer for the exterior case/shelves and door front Lock Options: To specify a shared desk-end cabinet without a lock, replace the "L" suffix in the pattern number with an "N". Door Pull Options: (E) = Edge Pull (I) = Insert Pull (O) = Loop Pull

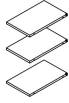
See planning guide page for door pull finish options.

Floorstanding Desk-End Cabinet Accessories

Adjustable Shelf Set and Coat Hook

Antenna Workspaces

description	type	w	d	h	pattern no.	list	All Same	Laminate	Laminate	Laminate	All V1	All V2	All V3
							Laminate	Case w/	Case w/	Case w/			
							(L)	V1 Fronts	V2 Fronts	V3 Fronts	(V)	(V)	(V)
Adjustable Shelf Set for Shared Desk-End Cabinets, Enclosed Hinged Door Front and Back	For 27" Deep Desks	10"	12 1/2"	3/4"	YSFCDASK27()	n/a	\$467.	n/a	n/a	n/a	\$909.	\$1,044.	\$1,359.
	For 30" Deep Desks	10"	13"	3/4"	YSFCDASK30()	n/a	472.	n/a	n/a	n/a	914.	1,051.	1,366.
	For 36" Deep Desks	10"	16"	3/4"	YSFCDASK36()	n/a	482.	n/a	n/a	n/a	932.	1,071.	1,393.



Coat hook					YSCH	23.	n/a	n/a	n/a	n/a	n/a	n/a	n/a
-----------	--	--	--	--	-------------	-----	-----	-----	-----	-----	-----	-----	-----



Ordering Information	Order Code	Included With	Options
Shelves	Shelves	Shelves	Shelves
1. Pattern Number	<i>Example:</i> YSFCDASK30L, 118	(3) Shelves	Coat Hook
2. Surface Finish	YSFCDA Shelves	Hardware	
Coat Hook	SK	Coat Hook	
1. Pattern Number	30 Depth	Hardware	
	L Laminate		
	118 Bright White Laminate		
	Coat Hook		
	<i>Example:</i> YSCH		
	YSCH Coat Hook		

Floorstanding L cabinets

L cabinets are unique L-shape storage designed to provide definition and privacy for the individual workspace. L cabinets are freestanding.

L cabinets are 49"H, 24"W x 24"D, overall with a 12" wide, 12"D surround for shelves opening to the inside of the L, and a 12"W, 24"D coat storage area with a coat bar and door.

L cabinets can be specified in any core laminate or veneer for case, shelves and door.

L cabinets can also be specified in laminate with contrasting laminate or veneer doors.

Cabinets with wardrobe and door hinge on left are considered left handed; those with wardrobe and door hinge on right are considered right handed.

Wardrobes

Wardrobes are available for personal coat storage within a workspace. Single door 18" wide wardrobes come with a coat hook and 36" wide double door units come with a coat rod. Wardrobes are 19" deep and 67" high. Wardrobes can be specified in any core laminate or veneer for case, shelves and door. Wardrobes can also be specified in laminate with contrasting laminate or veneer doors. 36" wide wardrobes open using a touch latch.

Construction

Floorstanding L cabinets and wardrobes cabinets are composed of ¾" MDF panels joined in discreet, glue-and-dowel construction.

Doors open 135 degrees for easy access.

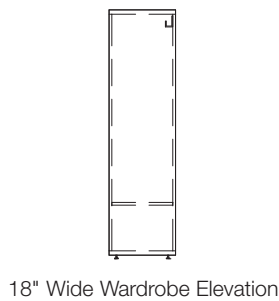
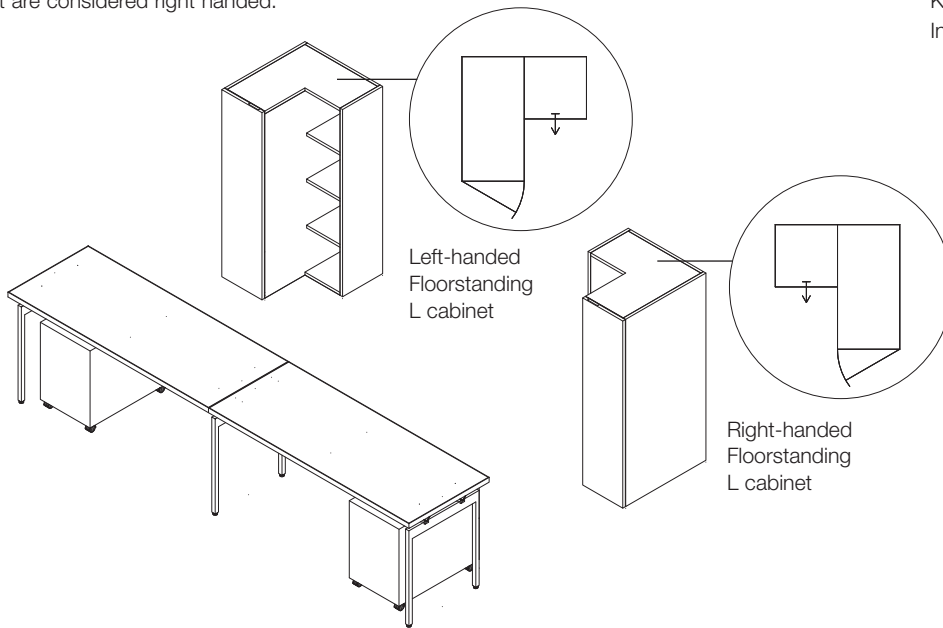
Cabinets include levelers with 1 ½" travel.

Specification Options

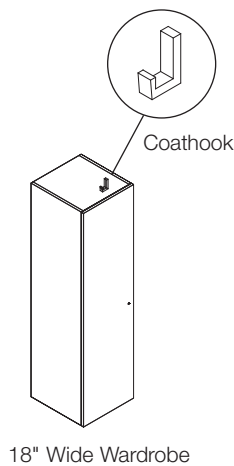
Specify laminate (L), "mixed" two-tone laminate or laminate case with veneer front (M) or veneer (V) case. Cabinets are available either locking (L) or non-locking (N).

Case finish exterior is available in any Knoll Core laminate or veneer. When case exterior is specified laminate, specify drawer front finish in any Knoll Core laminate (L) or veneer (V).

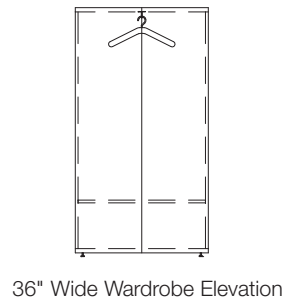
Specify pull type: Edge (E), Insert (I) or Loop (O). Edge pulls are available in any Knoll Core paint finish, Dark Red, Slate Blue or in Chrome (PD). Loop pulls are available in any Knoll Core paint finish, Dark Red or Slate Blue. Insert pulls are available in Chrome (PD).



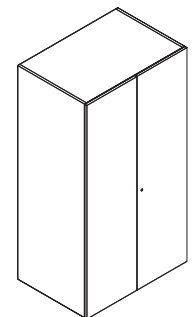
Plan View of 18" Wide Wardrobe, Hinged on Left



18" Wide Wardrobe



Plan View of 36" Wide Wardrobe

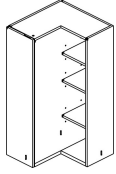


36" Wide Wardrobe

Floorstanding L and Wardrobe Cabinets

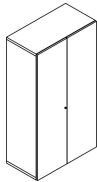
49" and 67" High

description	type	w	d	h	pattern no.	All Same	Laminate	Laminate	Laminate	All V1	All V2	All V3
						Laminate (L)	Case w/ V1 Fronts (M)	Case w/ V2 Fronts (M)	Case w/ V3 Fronts (M)			
L Cabinet	Door on Left	12"	23 ³ / ₄ "	49"	YSFCWL4924()L	\$3,156.	\$3,472.	\$3,630.	\$3,786.	\$5,593.	\$6,432.	\$8,362.
	Door on Right	12"	23 ³ / ₄ "	49"	YSFCWR4924()L	3,156.	3,472.	3,630.	3,786.	5,593.	6,432.	8,362.

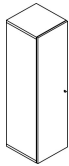


(Left Shown)

36" Wide Wardrobe	Double Doors	36"	18 ⁷ / ₈ "	67"	YSFCWD6736()L	2,869.	3,156.	3,298.	3,443.	4,789.	5,507.	7,159.
-------------------	--------------	-----	----------------------------------	-----	-----------------------	--------	--------	--------	--------	--------	--------	--------



18" Wide Wardrobe	Hinged on Left	18"	18 ⁷ / ₈ "	67"	YSFCWL6718()L	2,238.	2,460.	2,574.	2,686.	3,591.	4,130.	5,369.
	Hinged on Right	18"	18 ⁷ / ₈ "	67"	YSFCWR6718()L	2,238.	2,460.	2,574.	2,686.	3,591.	4,130.	5,369.



Ordering Information

L Cabinets

1. Pattern Number
2. Case/Shelves Finish
3. Door Finish
4. Pull Type
5. Pull Finish

Wardrobes

1. Pattern Number
2. Case Finish
3. Door Finish
4. Pull Type
5. Pull Finish

Order Code

L Cabinets

Example: YSFCWL4924LL, 118, 118, E, 118T

YSFCW	L Cabinets
L	Door on Left
49	Height
24	Depth
L	Laminate
L	Lock
118	Bright White Laminate
118	Bright White Laminate
E	Edge Pull
118T	Bright White Paint

Included With

L Cabinets

Coat bar

18" Wide Wardrobes

Coat Hook

36" Wide Wardrobes

Coat Rod

Options

L Cabinets and Wardrobes

Finish Options:

(L) = All the same laminate for the exterior case/shelves and door front
 (M) = Laminate exterior case/shelves and veneer door front
 (V) = All the same veneer for the exterior case/shelves and door front

Lock Options:

To specify an L cabinet without a lock, replace the "L" suffix in the pattern number with an "N".

Door Pull Options:

(E) = Edge Pull
 (I) = Insert Pull
 (O) = Loop Pull

See planning guide page for door pull finish options.

Floorstanding File Cabinets

Planning Guidelines and Specifications

File cabinets provide filing space for individual or group workspaces. Finished on all sides, file cabinets are freestanding and are applicable in private offices, as credenza storage or along a storage wall.

File cabinets are 36" wide, 19" deep and available in six horizons to align with other floorstanding cabinets and critical Antenna heights:

- 25"H cabinet, with 6"H shelf or personal drawer over one file, aligns with Antenna desk legs and can support one end of an Antenna desk.
- 28"H cabinet, with 12"H shelf or file drawer over one file drawer, aligns with Antenna desk height.
- 42"H cabinet, with 12"H shelf over two files, aligns with Antenna screens to 42"H horizon.
- 49"H cabinet, with 6" and 12"H shelves over two files, aligns with screens to 49"H horizon.

- 56"H cabinet, with two 12"H shelves over two files.
- 67"H cabinet, with one 11 1/2"H and two 12"H shelves, which can align with an open or enclosed cabinet, wall mounted 24" above desk height.

Desk support adapters must be specified separately for desk support applications. Counterweight/ballast kits should be specified for file cabinets in applications that are not connected to a desk or other storage cabinets.

The upper shelf in 49" and 56"H cabinets and the two upper shelves in 67"H cabinets can be adjusted in height. File drawers are sized for side-to-side, suspended letter-depth or legal-depth file folders.

Construction

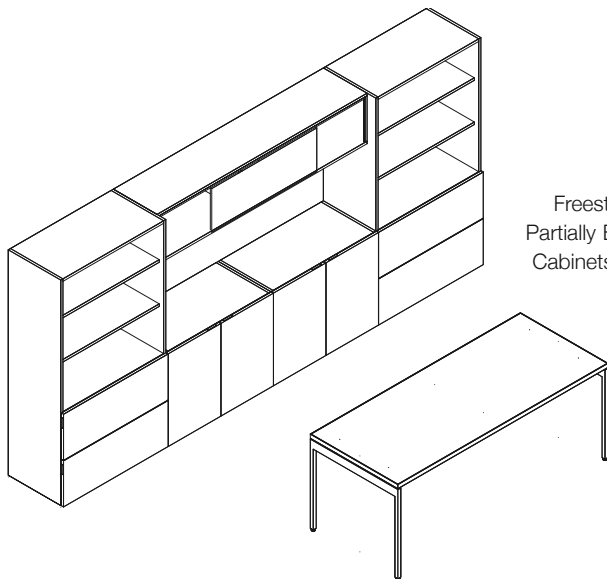
Floorstanding cabinets are composed of 3/4" MDF panels joined in discreet, glue-and-dowel construction, with a 1-1/4"H base for stability.

Floorstanding cabinets include levelers with 1-1/2" travel.

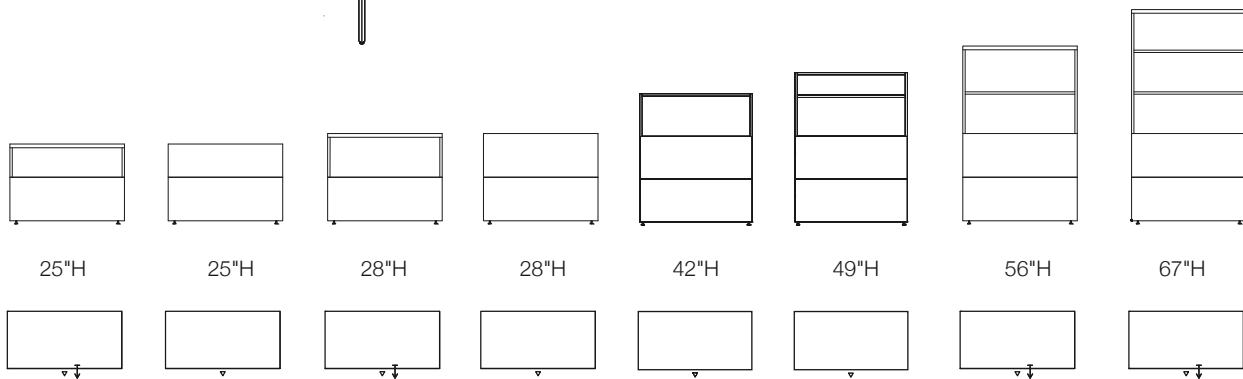
Drawer bodies are black painted steel construction, 33"W x 16"D, with full extension, ball bearing drawer slides. Each drawer also includes a side-to-side letter filing support, 33"W, and two front-to-back supports for letter or legal-width suspended filing.

Specification Options

Specify laminate (L), "mixed" twotone laminate or laminate case with veneer front (M) or veneer (V) case. File cabinets are always locking. Case finish exterior is available in any Knoll Core laminate or veneer. When case exterior is specified in laminate, specify drawer front finish in any Knoll Core laminate (L) or veneer (V). Specify pull type: Edge (E), Insert (I) or Loop (O). Edge pulls are available in any Knoll Core paint finish, Dark Red, Slate Blue or in Chrome (PD). Loop pulls are available in any Knoll Core paint finish, Dark Red or Slate Blue. Insert pulls are available in Chrome (PD).



Freestanding Private Office with Partially Enclosed Cabinets, Enclosed Cabinets and Wall Mounted Cabinet



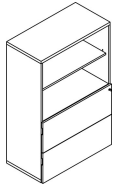
File Cabinet Heights

Floorstanding File Cabinets

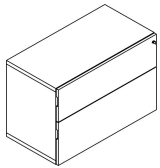
25", 28", 42", 49", 56" and 67" High

Antenna Workspaces

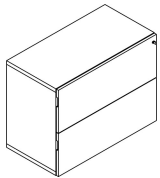
description	w	d	h	pattern no.	list	All Same	Laminate	Laminate	Laminate	All V1	All V2	All V3
						Laminate	Case w/	Case w/	Case w/			
						(L)	V1 Fronts	V2 Fronts	V3 Fronts	(V)	(V)	(V)
Partially Enclosed Shelf Cabinets with Open Shelves Above and Drawers Below (56" high shown)	36"	18 ⁷ / ₈ "	42"	YSFCOFF4236()L	\$0.	\$3,156.	\$3,541.	\$3,630.	\$3,786.	\$4,785.	\$5,393.	\$7,010.
	36"	18 ⁷ / ₈ "	49"	YSFCOFF4936()L	0.	3,327.	3,733.	3,826.	3,992.	5,088.	5,737.	7,458.
	36"	18 ⁷ / ₈ "	56"	YSFCOFF5636()L	0.	3,499.	3,927.	4,025.	4,200.	5,393.	6,081.	7,906.
	36"	18 ⁷ / ₈ "	67"	YSFCOFF6736()L	0.	3,672.	4,119.	4,222.	4,405.	5,699.	6,425.	8,353.



Enclosed Box/File Cabinet	36"	18 ⁷ / ₈ "	25"	YSFCBF2536()L	0.	2,582.	2,896.	2,969.	3,098.	3,866.	4,360.	5,667.
---------------------------	-----	----------------------------------	-----	-----------------------	----	--------	--------	--------	--------	--------	--------	--------



Enclosed File/File Cabinet	36"	18 ⁷ / ₈ "	28"	YSFCFF2836()L	0.	2,638.	2,961.	3,034.	3,166.	3,969.	4,475.	5,817.
----------------------------	-----	----------------------------------	-----	-----------------------	----	--------	--------	--------	--------	--------	--------	--------



Ordering Information

Floorstanding File Cabinets

1. Pattern Number
2. Case Finish
3. Door Finish
4. Pull Type
5. Pull Finish

Order Code

Floorstanding File Cabinets

Example: YSFCFF2836LL, 118, 118, E, 118T

YSFCFF Enclosed File Cabinets

28 Height

36 Width

L Laminate

L Lock

118 Bright White Laminate

118 Bright White Laminate

E Edge Pull

118T Bright White Paint

Included With

Floorstanding File Cabinets

Levelling glides
File bars

Options

Floorstanding File Cabinets

Finish Options:

(L) = All the same laminate for the exterior case/shelves and door front
(M) = Laminate exterior case/shelves and veneer door front
(V) = All the same veneer for the exterior case/shelves and door front

Lock Options:

To specify an enclosed shelf cabinet without a lock, replace the "L" suffix in the pattern number with an "N".

Door Pull Options:

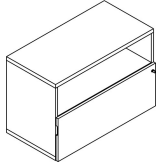
(E) = Edge Pull
(I) = Insert Pull
(O) = Loop Pull

See planning guide page for door pull finish options.

Floorstanding File Cabinets

25", 28", 42", 49", 56" and 67" High

description	w	d	h	pattern no.	list	All Same	Laminate	Laminate	Laminate	All V1	All V2	All V3
						Laminate (L)	Case w/ V1 Fronts (M)	Case w/ V2 Fronts (M)	Case w/ V3 Fronts (M)			
Partially Enclosed File Cabinet (25" high shown)	36"	18 ⁷ / ₈ "	25"	YSFCOF2536()L	\$0.	\$2,409.	\$2,703.	\$2,770.	\$2,892.	\$3,561.	\$4,015.	\$5,220.
	36"	18 ⁷ / ₈ "	28"	YSFCOF2836()L	0.	2,467.	2,769.	2,837.	2,960.	3,662.	4,130.	5,369.



File Cabinet		YSFWB36	385.	0.	0.	0.	0.	0.	0.	0.	0.
Ballast/Counterweight											

Ordering Information	Order Code	Included With	Options
Floorstanding File Cabinets 1. Pattern Number 2. Case Finish 3. Door Finish 4. Pull Type 5. Pull Finish	Floorstanding File Cabinets <i>Example:</i> YSFCFF2836LL, 118, 118, E, 118T <hr/> YSFCFF Enclosed File Cabinets <hr/> 28 Height <hr/> 36 Width <hr/> L Laminate <hr/> L Lock <hr/> 118 Bright White Laminate <hr/> 118 Bright White Laminate <hr/> E Edge Pull <hr/> 118T Bright White Paint	Floorstanding File Cabinets Levelling glides File bars	Floorstanding File Cabinets Finish Options: (L) = All the same laminate for the exterior case/shelves and door front (M) = Laminate exterior case/shelves and veneer door front (V) = All the same veneer for the exterior case/shelves and door front Lock Options: To specify an enclosed shelf cabinet without a lock, replace the "L" suffix in the pattern number with an "N". Door Pull Options: (E) = Edge Pull (I) = Insert Pull (O) = Loop Pull See planning guide page for door pull finish options.

Floorstanding Enclosed Shelf Cabinets

Planning Guidelines and Specifications

Enclosed Shelf Cabinets

Floorstanding shelf cabinets are designed to provide space definition and privacy for group workspaces. Shelf cabinets are finished on all sides.

Shelf cabinets are freestanding and applicable in private offices as credenza or storage wall.

Each shelf cabinet is 36" wide and 18" deep overall, and available in 25", 28", 42", 49" and 56" horizons.

All cabinets have two full-height doors. 56"H floorstanding cabinet units are also available with four doors, split at the center to align with adjacent 28"H cabinets or desk height.

25" and 28" high cabinets are also available with a partially open back for wire management access through the back of the cabinet.

A 6" opening starts 12" above the ground providing access above and below the shelf.

Construction

Floorstanding cabinets are composed of ¾" MDF panels joined in discreet, glue-and-dowel construction, with a 1 ¼"H base for stability.

Hinged doors open 135 degrees for easy access.

Floorstanding cabinets include levelers with 1 ½" travel.

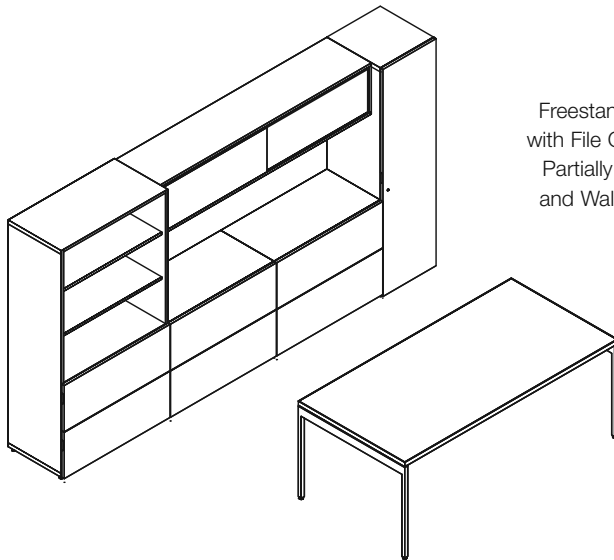
Specification Options

Shelf cabinets can be specified in any core laminate or veneer for case, shelves and doors. Shelf cabinets can also be specified in laminate with contrasting laminate or veneer doors.

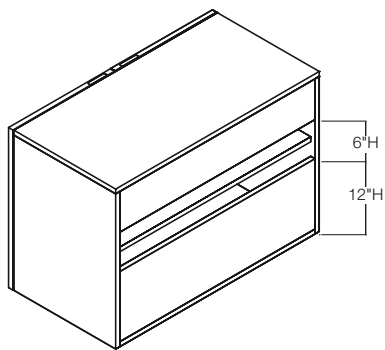
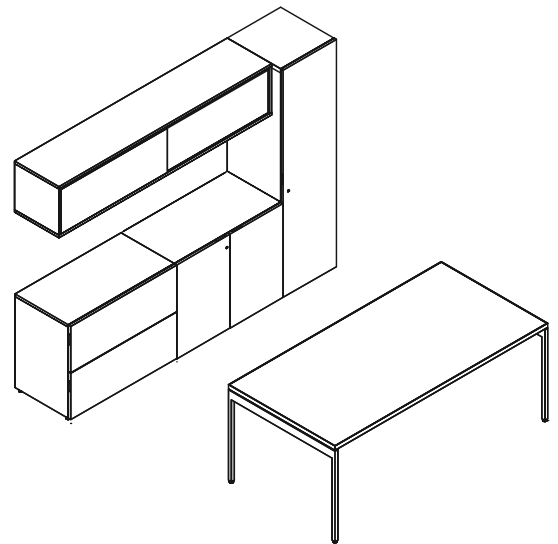
Specify laminate (L), "mixed" two-tone laminate or laminate case with veneer front (M) or veneer (V) case. Cabinets are available either locking (L) or non-locking (N).

Case finish exterior is available in any Knoll Core laminate or veneer. When case exterior is specified laminate, specify drawer front finish in any Knoll Core laminate (L) or veneer (V).

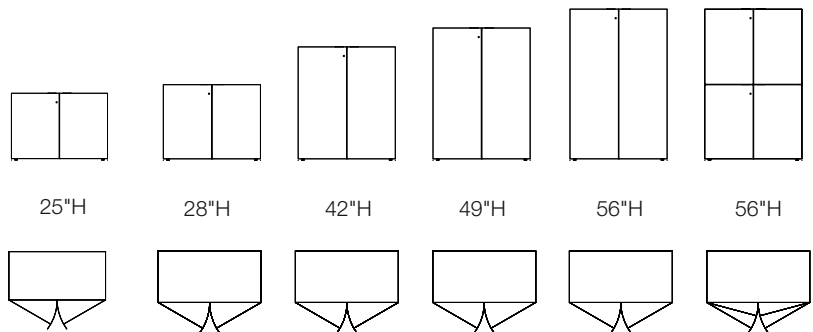
Specify pull type: Edge (E), Insert (I) or Loop (O). Edge pulls are available in any Knoll Core paint finish, Dark Red, Slate Blue or in Chrome (PD). Loop pulls are available in any Knoll Core paint finish, Dark Red or Slate Blue. Insert pulls are available in Chrome (PD).



Freestanding Private Office with File Cabinets, Wardrobe, Partially Enclosed Cabinet and Wall Mounted Cabinet



25" High Enclosed Shelf Cabinet with Hinged Doors, Partially Open Back

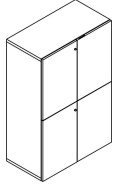


Enclosed Shelf and File Cabinet Heights

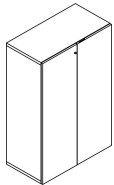
Floorstanding Enclosed Shelf Cabinets

25", 28", 42", 49" and 56" High

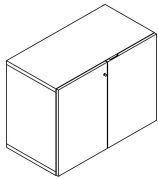
description	w	d	h	pattern no.	list	All Same	Laminate	Laminate	Laminate	All V1	All V2	All V3
						Laminate (L)	Case w/ V1 Fronts (M)	Case w/ V2 Fronts (M)	Case w/ V3 Fronts (M)			
Enclosed Shelf Cabinet with Four Doors	36"	18 7/8"	56"	YSFC4D5636()L	n/a	\$3,443.	\$3,862.	\$3,960.	\$4,130.	\$6,207.	\$6,999.	\$9,098.



Enclosed Shelf Cabinets with Two Doors (56" high shown)	36"	18 7/8"	25"	YSFC2D2536()L	n/a	2,065.	2,271.	2,375.	2,478.	3,692.	4,246.	5,519.
	36"	18 7/8"	28"	YSFC2D2836()L	n/a	2,123.	2,335.	2,443.	2,547.	3,790.	4,360.	5,667.
	36"	18 7/8"	42"	YSFC2D4236()L	n/a	2,409.	2,650.	2,770.	2,892.	4,390.	5,049.	6,564.
	36"	18 7/8"	49"	YSFC2D4936()L	n/a	2,812.	3,092.	3,234.	3,372.	5,088.	5,852.	7,607.
	36"	18 7/8"	56"	YSFC2D5636()L	n/a	3,098.	3,407.	3,563.	3,718.	5,587.	6,425.	8,353.



Enclosed Shelf Cabinets with Two Doors and Partially Open Back (28" high shown)	36"	18 7/8"	25"	YSFC2D02536()	n/a	2,065.	2,271.	2,375.	2,478.	3,692.	4,246.	5,519.
	36"	18 7/8"	28"	YSFC2D02836()	n/a	2,123.	2,335.	2,443.	2,547.	3,790.	4,360.	5,667.



Ordering Information	Order Code	Included With	Options
Enclosed Shelf Cabinets	Enclosed Shelf Cabinets	Enclosed Shelf Cabinets	Enclosed Shelf Cabinets
1. Pattern Number	<i>Example:</i> YSFC2D4936LL, 118,	Shelves	Finish Options:
2. Case/Shelves Finish	118, 118, E, 118T	Levelling glides	(L) = All the same laminate for the exterior case/shelves and door front
3. Door Finish	YSFC Enclosed Shelf Cabinets		(M) = Laminate exterior case/shelves and veneer door front
4. Pull Type	2D Two Doors		(V) = All the same veneer for the exterior case/shelves and door front
5. Pull Finish	49 Height		Lock Options:
	36 Width		To specify an enclosed shelf cabinet without a lock, replace the "L" suffix in the pattern number with an "N".
	L Laminate		Door Pull Options:
	L Lock		(E) = Edge Pull
	118 Bright White Laminate		(I) = Insert Pull
	118 Bright White Laminate		(O) = Loop Pull
	E Edge Pull		See planning guide page for door pull finish options.
	118T Bright White Paint		

Floorstanding Partially Enclosed Shelf Cabinets

Planning Guidelines and Specifications

Partially Enclosed Cabinets

Partially enclosed cabinets are designed for storage and space definition in open plan workspaces, and can also serve as credenza or work wall in private offices and conference rooms. Partially enclosed cabinets combine partial and full 12 ³/₈"H binder height shelf storage with files or shelves with doors. Floorstanding cabinets are freestanding and finished on all sides.

Partially enclosed cabinets with doors are 36" wide, 19" deep and 56" high. Doors may be specified to cover the top half of the cabinet, with two open fixed binder height shelves below, or cover the bottom half of the cabinet with two fixed height open shelves above.

The upper shelf in 49"H and 56"H cabinets and the two upper shelves in 67"H cabinet can be adjusted in height.

Construction

Floorstanding cabinets are composed of ³/₄" MDF panels joined in discreet, glue-and-dowel construction, with a 1 ¹/₄"H base for stability. Floorstanding cabinets with file drawers are equipped with an interlock for stability. Hinged doors open 135 degrees for easy access. Floorstanding cabinets include levelers with 1 ¹/₂" travel.

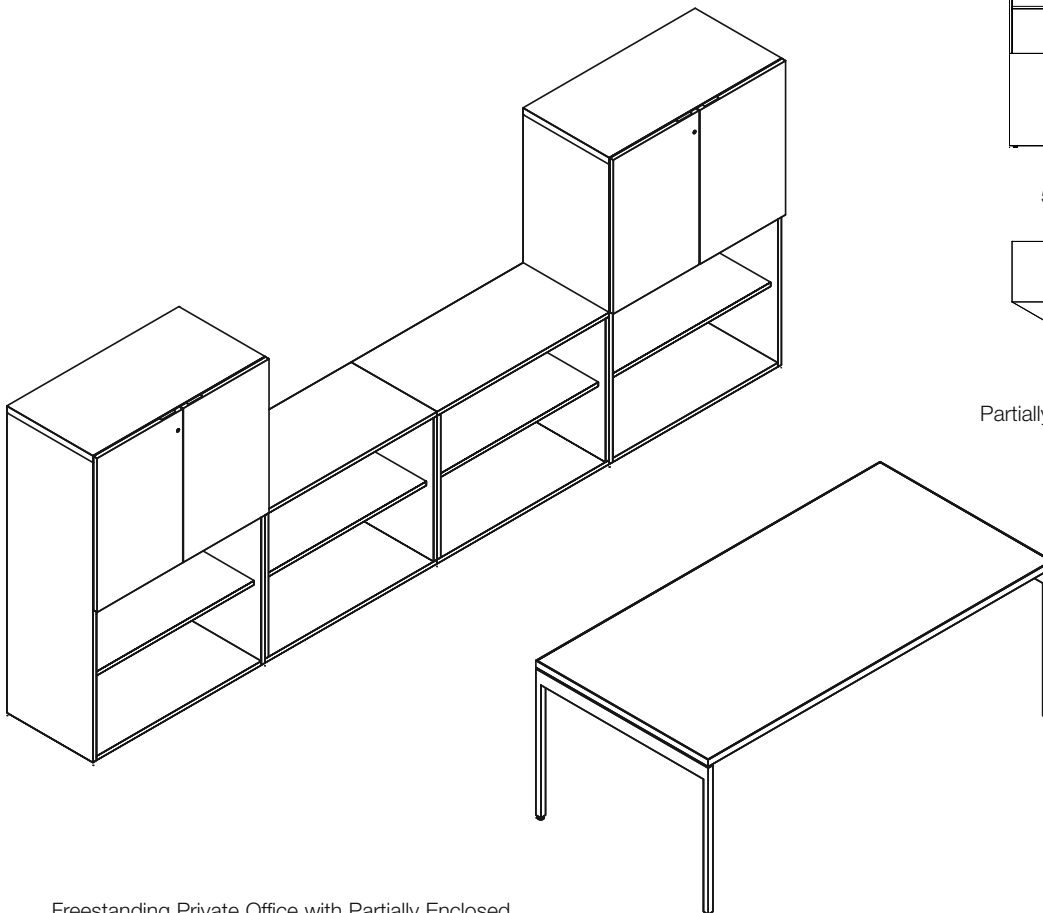
Specification Options

Specify laminate (L), "mixed" two-tone laminate or laminate case with veneer front (M) or veneer (V) case. Cabinets are available either locking (L) or non-locking (N).

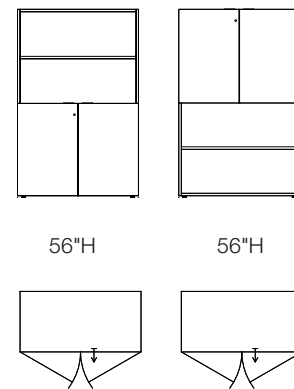
Case finish exterior is available in any Knoll Core laminate or veneer. When case exterior is specified laminate, specify drawer front finish

in any Knoll Core laminate (L) or veneer (V).

Specify pull type: Edge (E), Insert (I) or Loop (O). Edge pulls are available in any Knoll Core paint finish, Dark Red, Slate Blue or in Chrome (PD). Loop pulls are available in any Knoll Core paint finish, Dark Red or Slate Blue. Insert pulls are available in Chrome (PD).



Freestanding Private Office with Partially Enclosed Shelf Cabinets and Open Shelf Cabinets

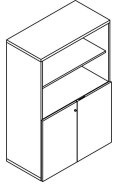


Partially Enclosed Shelf Cabinet Heights

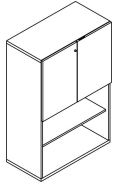
Floorstanding Partially Enclosed Shelf Cabinets

42", 49", 56" and 67" High

description	w	d	h	pattern no.	All Same	Laminate	Laminate	Laminate	All V1	All V2	All V3
					Laminate	Case w/	Case w/	Case w/			
					(L)	V1 Fronts	V2 Fronts	V3 Fronts	(V)	(V)	(V)
Partially Enclosed Shelf Cabinet with Open Shelves Above and Enclosed Shelves Below	36"	18 ⁷ / ₈ "	56"	YSFC02D5636()L	\$2,983.	\$3,281.	\$3,431.	\$3,580.	\$5,266.	\$6,057.	\$7,874.



Partially Enclosed Shelf Cabinet with Enclosed Shelves Above and Open Shelves Below	36"	18 ⁷ / ₈ "	56"	YSFC2D05636()L	2,983.	3,281.	3,431.	3,580.	5,266.	6,057.	7,874.
---	-----	----------------------------------	-----	------------------------	--------	--------	--------	--------	--------	--------	--------



Ordering Information

Partially Enclosed Shelf Cabinets

1. Pattern Number
2. Case/Shelves Finish
3. Door Finish
4. Pull Type
5. Pull Finish

Order Code

Partially Enclosed Shelf Cabinets

Example: YSFC2D4936LL, 118, 118, 118, E, 118T

YSFC	Enclosed Shelf Cabinets
2D	Two Doors
49	Height
36	Width
L	Laminate
L	Lock
118	Bright White Laminate
118	Bright White Laminate
E	Edge Pull
118T	Bright White Paint

Included With

Partially Enclosed Shelf Cabinets
Shelves
Levelling glides

Partially Enclosed Shelf Cabinet with Drawers
Levelling glides
Filing bars

Options

Partially Enclosed Shelf Cabinets

Finish Options:

(L) = All the same laminate for the exterior case/shelves and door fronts
(M) = Laminate exterior case/shelves and veneer door fronts
(V) = All the same veneer for the exterior case/shelves and door fronts

Lock Options:

To specify a partially enclosed shelf cabinet without a lock, replace the "L" suffix in the pattern number with an "N".

Door Pull Options:

(E) = Edge Pull
(I) = Insert Pull
(O) = Loop Pull

See planning guide page for door pull finish options.

Floorstanding Open Shelf Cabinets

Planning Guidelines and Specifications

Open Shelf Cabinets

Floorstanding shelf cabinets are designed to provide space definition and privacy for group workspaces. Shelf cabinets are finished on all sides.

Shelf cabinets are freestanding and applicable in private offices as credenza or storage wall.

Each shelf cabinet is 36" wide and 18" deep overall, and available in 25", 28", 42", 49" and 56" horizons.

25" and 28" high cabinets are also available with a partially open back for wire management access through the back of the cabinet.

A 6" opening starts 12" above the ground providing access above and below the shelf.

Open shelf cabinets have fixed height shelves.

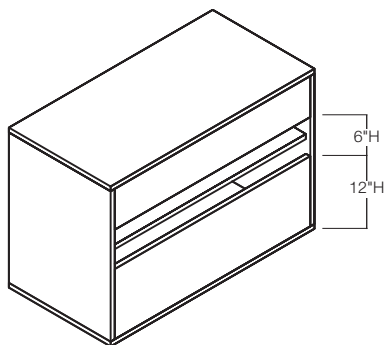
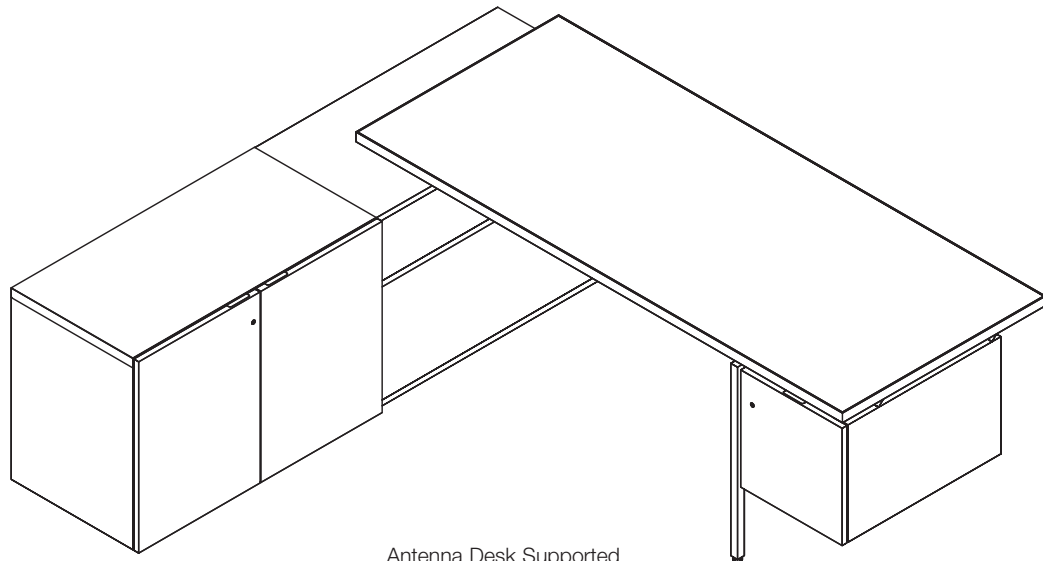
Construction

Floorstanding cabinets are composed of ¾" MDF panels joined in discreet, glue-and-dowel construction, with a 1 ¼"H base for stability.

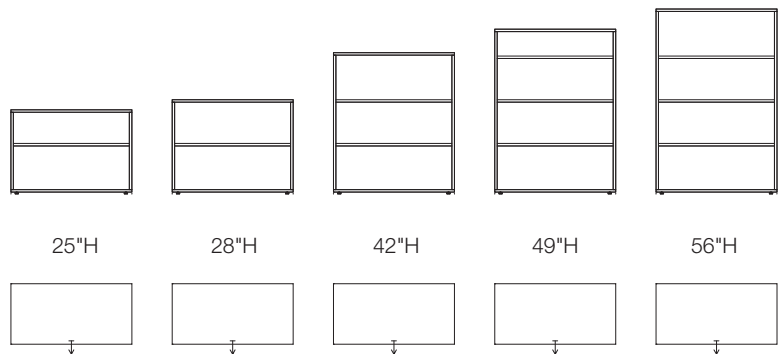
Floorstanding cabinets include levelers with 1 ½" travel.

Specification Options

Specify laminate (L) or veneer (V) case. Case finish is available in any Knoll Core laminate or veneer. When a laminate case is specified, shelves may be specified in any Knoll Core laminate (L) or veneer (V).



25" High Open Shelf Cabinet, Partially Open Back

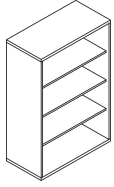


Open Shelf Cabinet Configurations

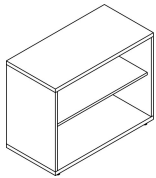
Floorstanding Open Shelf Cabinets

25", 28", 42", 49" and 56" High

description	w	d	h	pattern no.	Laminate (L)	V1 (V)	V2 (V)	V3 (V)
Open Shelf Cabinets (56" high shown)	36"	18"	25"	YSFCOS2536()	\$1,606.	\$2,754.	\$3,166.	\$4,119.
	36"	18"	28"	YSFCOS2836()	1,665.	2,869.	3,298.	4,292.
	36"	18"	42"	YSFCOS4236()	1,951.	3,327.	3,872.	4,973.
	36"	18"	49"	YSFCOS4936()	2,065.	3,672.	4,222.	5,490.
	36"	18"	56"	YSFCOS5636()	2,180.	3,901.	4,485.	5,835.



Open Shelf Cabinets with Partially Open Back (28" high shown)	36"	18"	25"	YSFCOSO2536()	1,606.	2,754.	3,166.	4,119.
	36"	18"	28"	YSFCOSO2836()	1,665.	2,869.	3,298.	4,292.



Ordering Information

Open Shelf Cabinets

1. Pattern Number
2. Case Finish
3. Shelf Finish (Laminate Only)

Order Code

Open Shelf Cabinets

Example: YSFCOS4936L, 118, 118

YSFCOS	Open Shelf Cabinets
49	Height
36	Width
L	Laminate
118	Bright White Laminate
118	Bright White Laminate

Included With

Open Shelf Cabinets
Fixed height shelves
Levelling glides

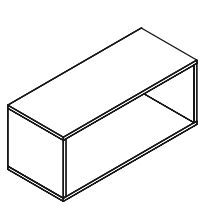
Options

Open Shelf Cabinets

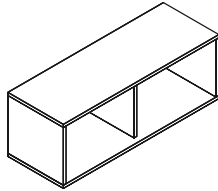
Finish Options:
(L) = Laminate
(V) = Veneer

Wood Cabinets

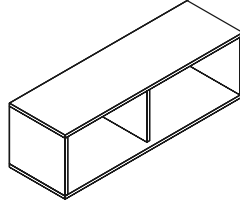
Open Shelf Cabinets



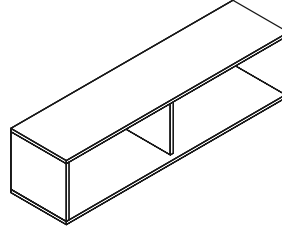
36" Wide



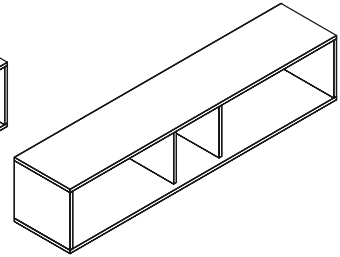
42" Wide



48" Wide

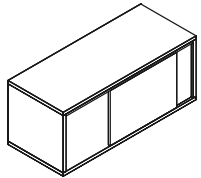


60" Wide

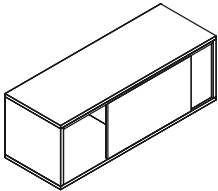


72" Wide

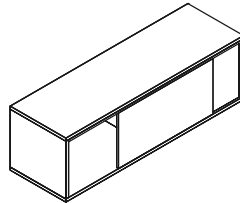
Sliding Door Cabinets



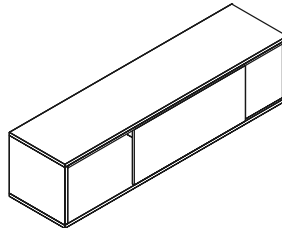
36" Wide



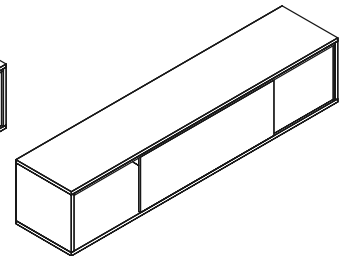
42" Wide



48" Wide



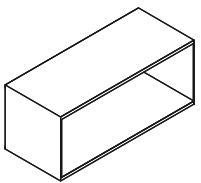
60" Wide



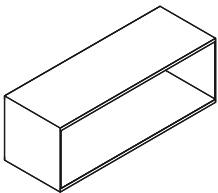
72" Wide

Metal Cabinets

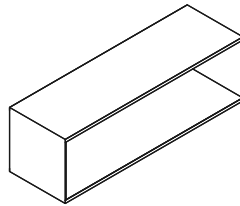
Open Front and Enclosed Back Cabinets



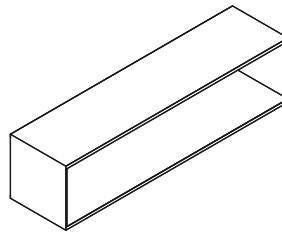
36" Wide



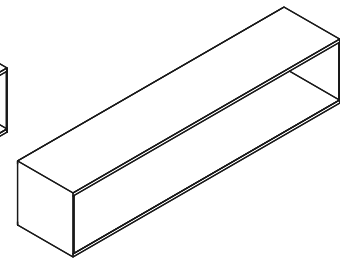
42" Wide



48" Wide

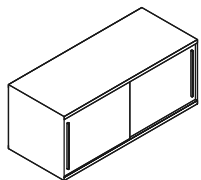


60" Wide

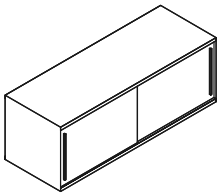


72" Wide

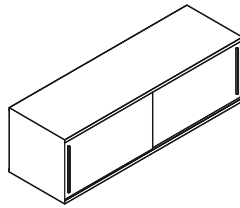
Sliding Door Cabinets



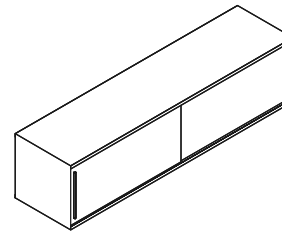
36" Wide



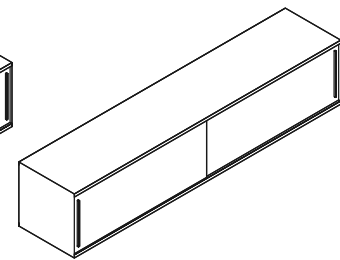
42" Wide



48" Wide



60" Wide



72" Wide

Wall Mounted Wood Cabinets

Open and Sliding Doors

Planning Guidelines and Specifications

Wall Mounted Wood Cabinets

Wall mounted wood cabinets provide binder storage within private offices or walled, group workspaces. Cabinets are available in two configurations: open front with enclosed back, or fully enclosed, with overlapping sliding doors.

Cabinets mount on slim profile aluminum cleat, included.

Open and enclosed cabinets are available in 36", 42", 48", 60" and 72" widths, with a center partition for structure. Enclosed cabinets have two half-width doors, in laminate or veneer surface.

All wall mounted cabinets are 15"H x 15"D, with 13 1/2" clear interior height for binder storage. Cabinets can be specified in laminate or veneer. Open cabinets can also be specified in a combination of core laminates for the case and contrasting core or "pop" color laminates for all interior surfaces.

Construction

Case is composed of 3/4" thick wood panels, with discreet glue-and-dowel connections.

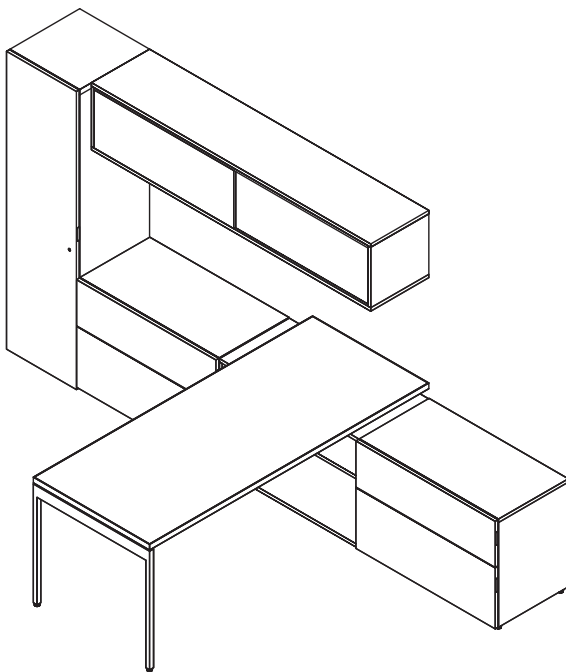
Specification Options

Specify laminate (L) or veneer (V) case.

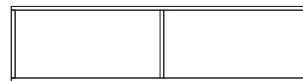
Case finish exterior is available in any Knoll Core laminate or veneer. When the case exterior is laminate, case interior is available in any Knoll Core or Accent laminate. When an Accent laminate is specified, the edgeband will match the exterior core laminate finish.

Door sets are specified separately to enable any combination of wood or laminate case and doors. Specify drawer front sets in any Knoll Core laminate (L) or veneer (V).

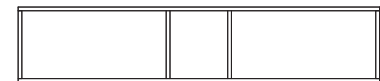
Pulls are available in any Knoll Core paint finish, Dark Red or Slate Blue.



Private Office Application with Wall Mounted Cabinet, Wardrobe and File Cabinets



60"W Open Cabinet Elevation



72"W Open Cabinet Elevation



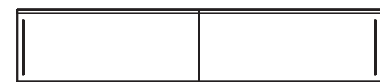
60"W Open Cabinet Plan



72"W Open Cabinet Plan



60"W Sliding Door Cabinet Elevation



72"W Sliding Door Cabinet Elevation



60"W Sliding Door Cabinet Plan



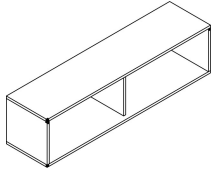
72"W Sliding Door Cabinet Plan

Wall Mounted Wood Cabinets

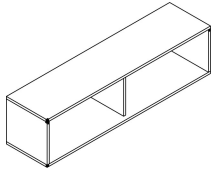
Laminate or Veneer Case

36", 42", 48", 60" or 72" Wide

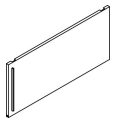
description	w	d	h	pattern no.	All Same Laminate (L)	Different Laminate Case/ Interior (Core Lam.) (L)	Different Laminate Case/ Interior (Accent Lam.) (L)	V1	V2	V3
Wall Mounted Wood Cabinets, Open Front and Enclosed Back	36"	15 1/2"	15"	YSWMO3615()	\$1,393.	\$1,532.	\$2,034.	\$2,034.	\$2,339.	\$2,923.
	42"	15 1/2"	15"	YSWMO4215()	1,448.	1,594.	2,131.	2,131.	2,451.	3,064.
	48"	15 1/2"	15"	YSWMO4815()	1,505.	1,654.	2,228.	2,228.	2,563.	3,203.
	60"	15 1/2"	15"	YSWMO6015()	1,606.	1,766.	2,295.	2,295.	2,638.	3,431.
	72"	15 1/2"	15"	YSWMO7215()	1,721.	1,893.	2,582.	2,582.	2,969.	3,859.



Wall Mounted Wood Cabinets, Sliding Door Cabinet Case	36"	15 1/2"	15"	YSWMS3615()	1,671.	1,839.	2,422.	2,422.	2,785.	3,481.
	42"	15 1/2"	15"	YSWMS4215()	1,727.	1,899.	2,518.	2,518.	2,897.	3,620.
	48"	15 1/2"	15"	YSWMS4815()	1,782.	1,961.	2,615.	2,615.	3,007.	3,760.
	60"	15 1/2"	15"	YSWMS6015()	1,893.	2,082.	2,754.	2,754.	3,098.	3,890.
	72"	15 1/2"	15"	YSWMS7215()	2,008.	2,209.	3,041.	3,041.	3,429.	4,318.



Sliding Door Set for Wall Mounted Wood Cabinets	36"	3/4"	15"	YSSD3615()	563.	n/a	n/a	883.	1,015.	1,269.
	42"	3/4"	15"	YSSD4215()	613.	n/a	n/a	910.	1,048.	1,309.
	48"	3/4"	15"	YSSD4815()	663.	n/a	n/a	929.	1,067.	1,335.
	60"	3/4"	15"	YSSD6015()	718.	n/a	n/a	1,003.	1,158.	1,509.
	72"	3/4"	15"	YSSD7215()	775.	n/a	n/a	1,091.	1,251.	1,630.



Ordering Information	Order Code	Included With	Options
Wall Mounted Wood Cabinets 1. Pattern Number 2. Exterior Case Finish 3. Interior Case Finish (Laminate only)	Wall Mounted Wood Cabinets <i>Example:</i> YSWMO6015L, 118, 118 YSWMO Wall Mounted Wood Cabinets	Wall Mounted Wood Cabinets Sliding Doors Hardware	Wall Mounted Wood Cabinets Case Finish Options: (L) = All the same or different laminates for the exterior and interior case (V) = All the same veneer for the exterior and interior case Sliding Doors Door Finish Options: (L) = Laminate (V) = Veneer Door pulls are available in Knoll core paints, Dark Red (130) and Slate Blue (131) paint finishes.
Sliding Door 1. Pattern Number 2. Door Finish 3. Pull Finish	60 Width 15 Depth L Laminate 118 Bright White Laminate Exterior 118 Bright White Laminate Interior		
	Sliding Doors <i>Example:</i> YSSD6015L, 118, E, 118T YSSD Sliding Door 60 Width 15 Depth L Laminate 118 Bright White Laminate 118T Bright White Paint		

Wall Mounted Metal Cabinets

Open and Sliding Doors

Planning Guidelines and Specifications

Wall Mounted Metal Cabinets

Wall mounted metal cabinets provide binder storage within private offices or walled, group workspaces. Cabinets are available in two configurations: open front with enclosed back, or fully enclosed, with overlapping sliding doors.

Cabinets mount on slim profile aluminum cleat, included.

Open and enclosed cabinets are available in 36", 42", 48", 60" and 72" widths. 60" and 72" wide open cabinets have a center partition for structure. Enclosed cabinets have two overlapping half-width painted metal doors.

All wall mounted cabinets are 15"H x 15"D, with 13 1/2" clear interior height for binder storage. Cabinets can be specified in all painted finish case and interior, with matching or contrasting doors finish.

Metal cabinets can be specified with a lock.

Construction

Cabinet top and bottom are formed to 3/4" thick, and sides are flat, heavy gauge steel.

Sliding doors are contained within perimeter frame.

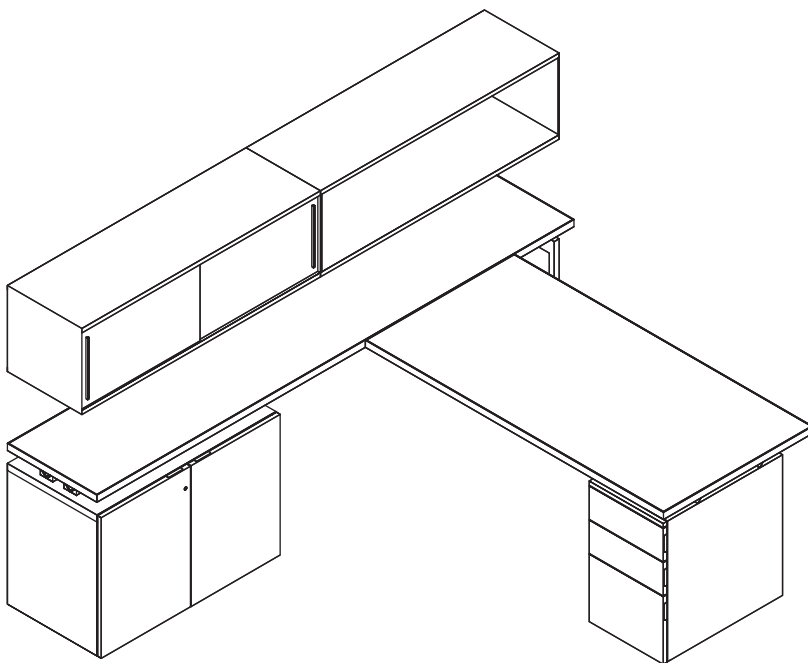
Specification Options

For open cabinets, specify case finish in any Knoll Core paint finish.

For enclosed cabinets, specify locking (L) or non-locking (N).

When different paint finishes are being selected for the case, doors or pulls, add a (Y) suffix to the pattern number. If a single paint finish is being specified for all components add an (S).

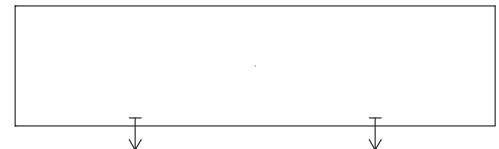
Specify case, doors and pulls in any Knoll Core paint finish.



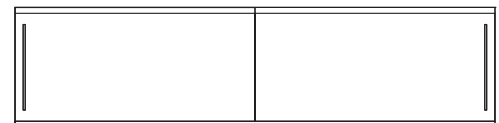
Private Office Application with Wall Mounted Metal Cabinets



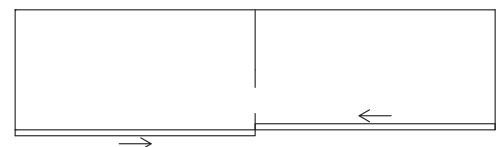
Open Cabinet Elevation



Open Cabinet Plan



Sliding Door Cabinet Elevation



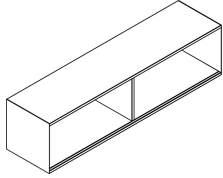
Sliding Door Cabinet Plan

Wall Mounted Metal Cabinets

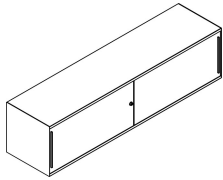
Open and Sliding Doors

36", 42", 48", 60" or 72" Wide

description	w	d	h	pattern no.	P1	P2	P3
Wall Mounted Metal Cabinets, Open Front and Enclosed Back	36"	15"	15"	YSMWMO36	\$789.	\$868.	\$908.
	42"	15"	15"	YSMWMO42	827.	910.	951.
	48"	15"	15"	YSMWMO48	878.	967.	1,010.
	60"	15"	15"	YSMWMO60	1,131.	1,242.	1,299.
	72"	15"	15"	YSMWMO72	1,235.	1,360.	1,421.



Wall Mounted Metal Cabinets, with Sliding Doors	36"	15"	15"	YSMWMS36L	958.	1,053.	1,099.
	42"	15"	15"	YSMWMS42L	1,001.	1,099.	1,149.
	48"	15"	15"	YSMWMS48L	1,057.	1,159.	1,212.
	60"	15"	15"	YSMWMS60L	1,320.	1,449.	1,514.
	72"	15"	15"	YSMWMS72L	1,438.	1,579.	1,648.



Ordering Information	Order Code	Included With	Options
Wall Mounted Metal Cabinets, Open Front 1. Pattern Number 2. Case Finish Wall Mounted Metal Cabinets with Sliding Door 1. Pattern Number 2. Paint Configuration 3. Case Finish 4. Door Finish 5. Pull Finish	Wall Mounted Open Front Metal Cabinets <i>Example:</i> YSMWMO60, 118T YSMWMO Wall Mounted Metal Cabinets 60 Width 118T Bright White Paint Wall Mounted Metal Cabinets with Sliding Door <i>Example:</i> YSMWMS60LY, 118T, 613,118T YYSMW Wall Mounted Metal Cabinet MS Cabinet 60 Width L Lock Y Different Paint Finishes 118T Bright White Painted Case 613 Silver Painted Door 118T Bright White Painted Pull	Wall Mounted Metal Cabinets, Open Front Full width interlocking wall mount cleats Wall Mounted Metal Cabinets with Sliding Doors Full width interlocking wall mount cleats	Wall Mounted Metal Cabinets, Open Front Wall Mounted Metal Cabinets with Sliding Doors Paint Configuration Options: Add (S) or (Y) at the end of the pattern number to specify the paint configuration. (S) = Same paint finish on case and sliding door (Y) = Different paint finish on case and sliding door Lock Option: To specify a wall mounted metal cabinet with sliding doors without a lock replace the "L" suffix in the pattern number with an "N". Pull Finish Options: Door pulls are available in Knoll core paints, Dark Red (130) and Slate Blue (131) paint finishes. Add \$40 to the list price for painted door pulls.

LED Task Lights

Planning Guidelines and Specifications

LED Task Lights

LED task lights mount into the recess in the underside of metal or wood overhead cabinets at least 5" wider than the task light width. LED task lights must be ordered separately from storage cabinets.

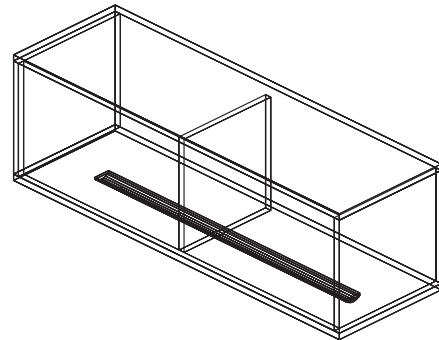
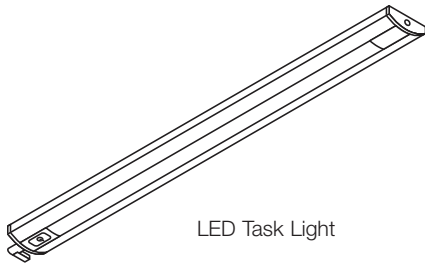
LED task lights include LED's, a power supply with 9'-12' cord and mounting hardware. The power supply cord attaches to either end of the fixture, allowing for easier access to the closest available duplex.

LED task lights are TCLP compliant and meet requirements of California Title 20 and Title 24. Task lights are approved for New York City installations.

Construction

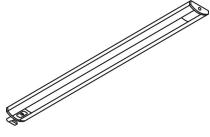
Housings are clear anodized aluminum with white color end-caps.

Model Number	Fixture Length	Lamp Length	Lamp Watts	Input Watts
YL4L17	17"	16.4"	6.6	7.8
YL4L31	31"	30.1"	14.8	17.6
YL4L44	44"	43.7"	21.8	25.9
YL4L58	58"	57.4"	28.2	33.6



LED Task Lights

for wood and metal overhead storage

description	type	w	d	h	pattern no.	list
	For use with 24" and wider overheads (24 LED's)	17"	2"	1/2"	YL4L17	\$507.
	For use with 36" and wider overheads (48 LED's)	31"	2"	1/2"	YL4L31	846.
	For use with 48" and wider overheads (72 LED's)	44"	2"	1/2"	YL4L44	1,102.
	For use with 66" and wider overheads (96 LED's)	58"	2"	1/2"	YL4L58	1,384.

Ordering Information

LED Task Lights

1. Pattern Number

Order Code

LED Task Lights

Example: **YL4L17**

YL4	Task Light
L	LED
17	Width

Included With

LED Task Lights

LED's
Power Supply with 9' cord for 17" and 12' cord for 31", 44" and 58"
Mounting Hardware

Options

LED Task Lights

Housings are clear anodized aluminum with white color end-caps.

Power cord is able to attach to either end of fixture.

Interpole Planning with Standalone Poles

Interpole plans as a standalone pole that secures to the structural ceiling and floor of a building to provide convenient access to technology. Standalone poles have four sides: two channels opposite facing for managing power and communications cables from the ceiling or floor to open plan or panel systems and two opposite facing continuous vertical slots for mounting shelves, screens, accessories or KnollExtra Sapper monitor supports at any height.

Standalone poles enable three planning applications:

- Hub for community spaces
- Display for private offices, assembly and community spaces
- Conduit for unlimited supply to desk and panel systems

Hub

Interpole distributes two-circuit power from floor or ceiling to outlets at lounge, desk or standing height to serve as a recharge station for portable devices. Power and USB outlets snap together with connectors and an infeed from a junction box in floor or ceiling to mount inside one or both channels. Each side of the pole requires its own infeed to supply power to outlets if powering both sides of a pole.

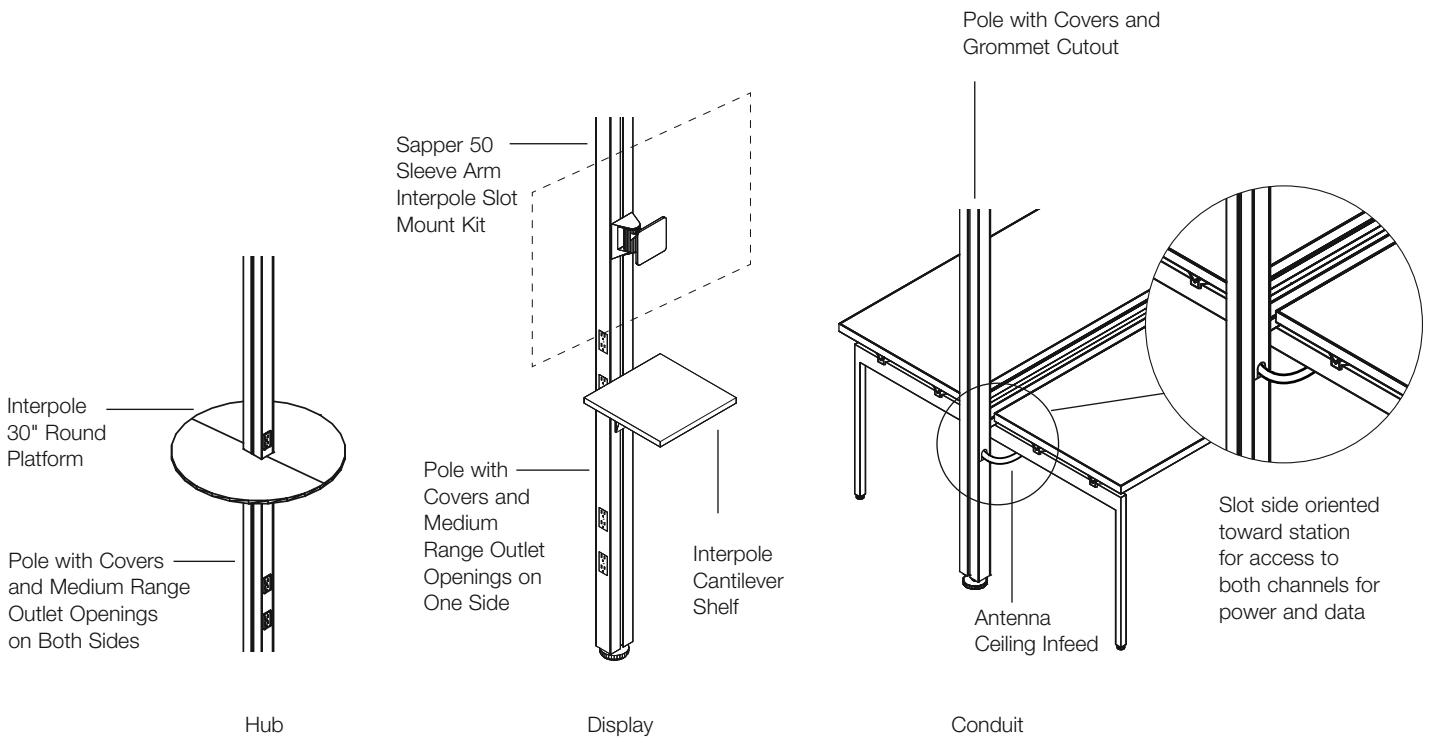
30" Round Counter and 12" x 12" Cantilever Shelf support portable devices while recharging or provide a touch down surface for the mobile worker. Additional accessories such as a coat hook and bag hook mount into the slot side of a pole to accommodate the temporary user.

Display

Standalone Interpole acts as a technology mast in private offices or community spaces by supporting monitors. KnollExtra Sapper Monitor Arm Collection and Sapper XYZ mounts are available for mounting to the slot side of a pole for standalone applications. CPU holder with adjustable straps accommodates various size CPU boxes while the CPU mounting bracket supports a small form factor PC.

Conduit

Standalone poles can route ceiling infeeds of power and communications cables in separate channels to supply Antenna Workspaces linked desks, big table or Fence, or clusters of Dividends Horizon, AutoStrada, Reff Profiles or Morrison panel systems, or Autostrada Spine.



Interpole can define boundaries and support work areas with combinations of screens and storage between two or more poles. Interpole screens and storage are available in heights that create horizons equivalent to stacking up to four Interpole cabinets, or horizons corresponding to Knoll open office system panel heights.

Interpole planning assumes storage or screens are installed at 10 1/8" above the floor.

Screen Horizons

Standard screen horizons are nominal 42", 58" or 74"H, which align with two, three or four Interpole cabinets.

The 42" horizon, utilizing 32"H screens (with 10 1/8" below), enables seated visual contact and access to natural light. The 58" horizon enables seated privacy, plus ideal heights for display, whiteboards or tackable surface.

Additional screen heights, primarily for combinations of storage and screens, enable 25" horizon (aligning with Antenna legs and low storage) or 34" horizon.

Storage Horizons

Multiples of one, two, three or four Interpole horizontal storage cabinets, with 10 1/8" below and 1 1/2" space between them, create horizons of 25", 42", 58" or 74"H.

The 25" horizon is useful for applications in which a desk or table overlaps the cabinet. The 42" horizon enables seated visual contact and access to natural light.

The 58" horizon is appropriate for seated privacy in open plan applications and the 74" horizon is ideal for maximum accessible storage in an enclosed office or privacy in an activity space.

Horizons Combining Screens and Storage

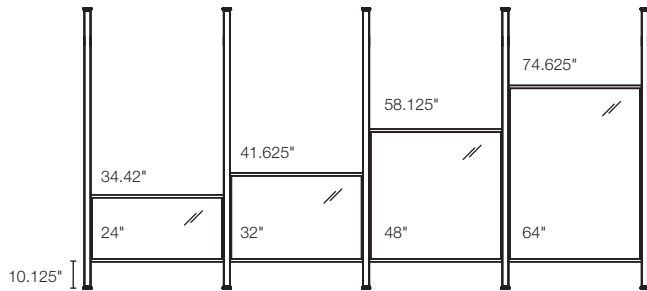
Combinations of screens and storage enable a number of horizons ideal in open plan or activity spaces.

The 42" horizon, created by one cabinet and one 15"H screen, enables visual access and aligns with 42"H panels or storage.

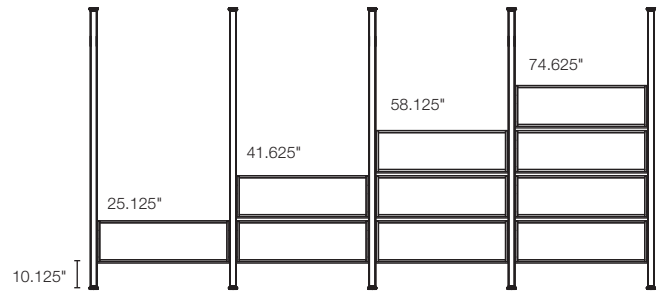
The 51" horizon, with one cabinet and a 24"H screen, is good for seated privacy with whiteboard.

The 67" horizon, with a 24"H screen between two cabinets provides accessible display and privacy, and plans well with perpendicular Antenna desks or seated-to-standing height tables.

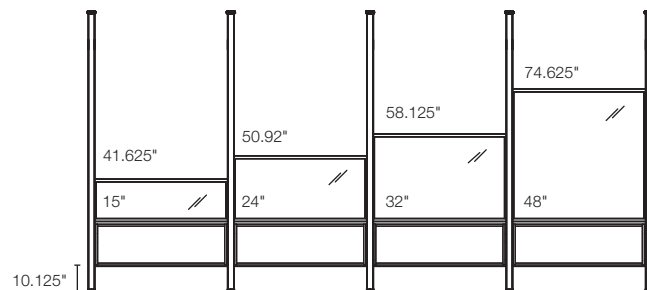
The 74" horizon is especially useful for standing height privacy or enclosed offices.



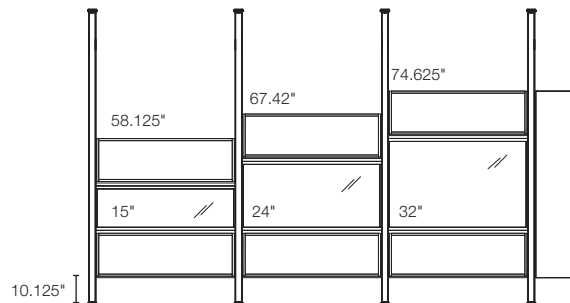
Screen Horizons



Storage Horizons



Storage with Lower Screen Horizons



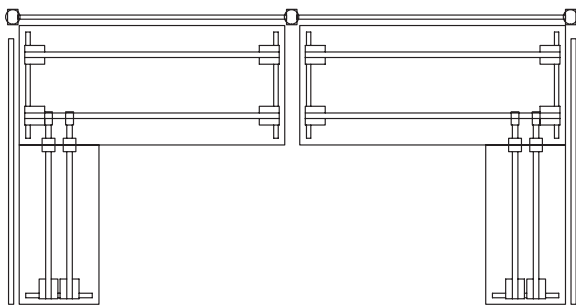
Storage Combined with Lower Screen Horizons

***Note:** nominal dimensions are shown for screens. The overall horizons are actual dimension off finished floor.

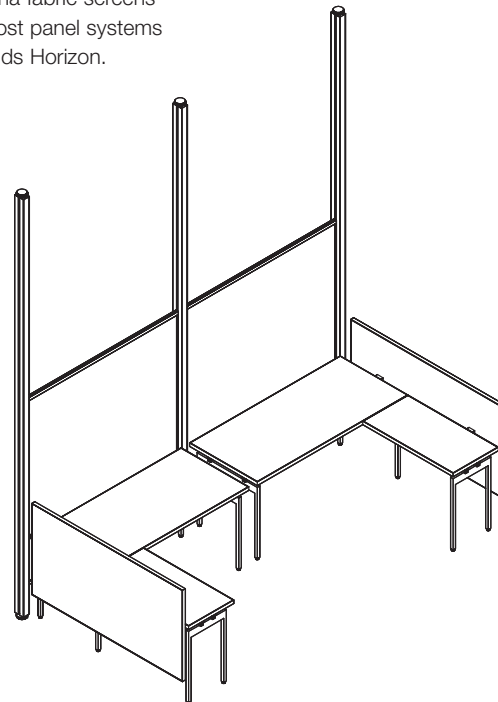
Open Planning with Interpole

Multiple Interpoles with screens or combinations of screens and storage define spines that support individual and group work areas on one or both sides. Interpole's unique floor-to-ceiling structure enables the flexibility of screens, single-sided, shared or "yin-yang" storage and pass through-open spaces, to mount at any height.

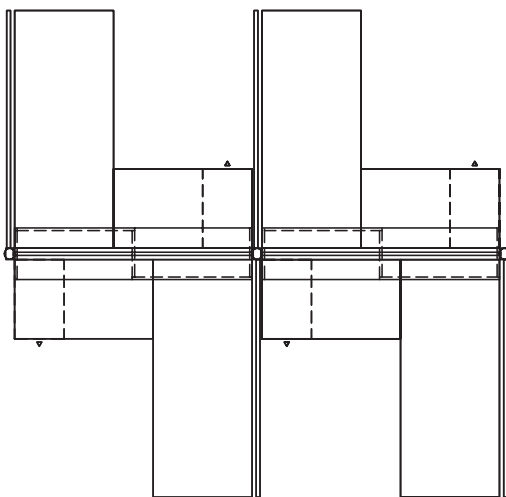
Poles with screens and storage plan with any 6" increment of width from 36" – 72" plus $\frac{5}{8}$ " between poles, plus $2\frac{3}{8}$ " for the pole itself. So a spine of Interpole aligns perfectly with standard desk widths as well as standard freestanding file cabinet widths. And the poles correspond closely with Antenna fabric screens plus a wire drop, as well as most panel systems such as AutoStrada or Dividends Horizon.



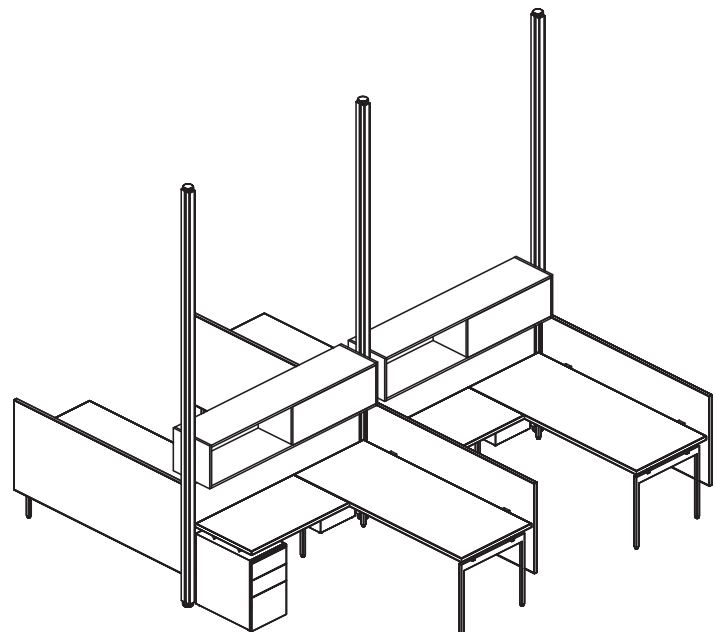
Plan View of Interpole Open Plan Screen Spine with Antenna Desks



Interpole Open Plan Screen Spine with Antenna Desks



Plan View of Interpole Open Plan Storage Spine with Antenna Desks



Interpole Open Plan Storage Spine with Antenna Desks



Pole without Cover



Pole with Covers (no outlets)



Pole with Covers (no outlets) with Grommet one side



Pole with Covers, Low Range Outlets (12"/18"/24"/30")



Pole with Covers, Medium Range Outlets (12"/18"/36"/42")



Pole with Covers, High Range Outlets (12"/18"/60"/66")



Extension Pole

Interpole is an independent system of poles, modular power components, screens and accessories that can be planned in combination with Antenna Workspaces desks and tables, big tables and Fence, other systems products or seating to serve and define a variety of workspaces.

Interpole Poles

The fundamental planning component is an H-shape, $2\frac{3}{8}$ " x $3\frac{1}{2}$ " pole that spans between and connects to the building floor and structural ceiling.

Poles and covers are 12'-3" tall and can be trimmed to fit lower overall ceiling height. Extension poles 47" tall are available to extend height to fit taller spaces.

Poles engage a mounting bracket fastened to the floor and ceiling deck and "levelers" extend for a compression fit. A set screw at the top of the pole locks the pole securely into position.

Screens, platforms, monitor supports and accessories mount to continuous slots on the two wide sides. Poles can be ordered with covers for U-shape open channels on each narrow side to enclose modular power or 2.36 square inch cross-section for cable distribution.

Cable capacity for Pole channel with a maximum fill of 50% is 16 category 6 cables and 12 category 6a cables per side.

For use as a hub for power or as a monitor support poles should be specified with covers with outlet openings. Extension poles are only available with covers and include a hardware kit for attachment. Extension poles can be cut into shorter segments to extend multiple poles. Each additional segment will require an extension pole extra hardware mounting kit. Maximum overall height capable is one 12' 3" pole and one 47" extension pole.

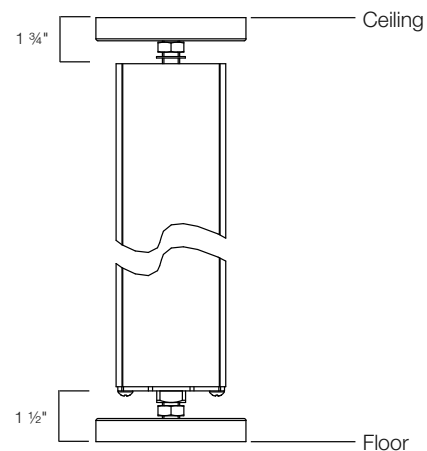
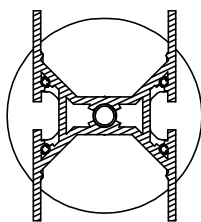
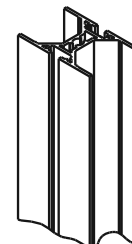
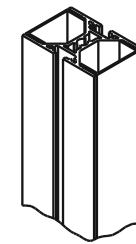
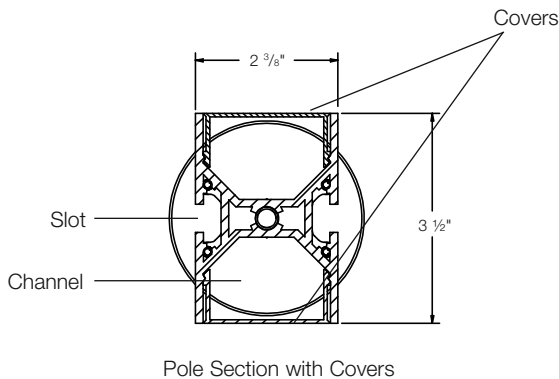
For ceiling infeed to Antenna or other systems, poles should be ordered with covers without outlets openings. For support of screens poles can be ordered with or without covers.

Construction

Interpole poles and covers are extruded aluminum. Levelers are steel threaded stems with painted surface on molded ABS caps. Ceiling and floor mounting plates are painted steel.

Specification Options

Poles and covers can be specified in natural anodized aluminum (AA) or powder coated Bright White finish (118T). Leveler caps are Satin Chrome (PS) or painted Jet Black (111) or Bright White (118).



Interpole Poles and Covers

Planning Guidelines and Specifications

Pole Cover Options

Poles with covers can be ordered with four outlet openings on one or both sides, in three height combinations:

Low: outlets centered at 12", 18", 24", 30" above floor (lounge and desk height)

Medium: outlets centered at 12", 18", 36", 42" above floor (standing height)

High: outlets centered at 12", 18", 60", 66" above floor (TV height)

Outlet openings can be used for Interpole duplex outlets, Decora-size communications faceplates, or filled with a blank faceplate.

Poles can also be ordered without covers, with covers that do not have outlet openings (as for ceiling infeed to adjacent Fence or panel base raceway), or with one cover that has a grommet at the bottom. The grommet can be positioned at any height to enable a ceiling infeed to exit the pole at desk or big table height by shifting the cover up to the desired height. Then the top end of the cover can be trimmed onsite to fill in below the grommet opening.

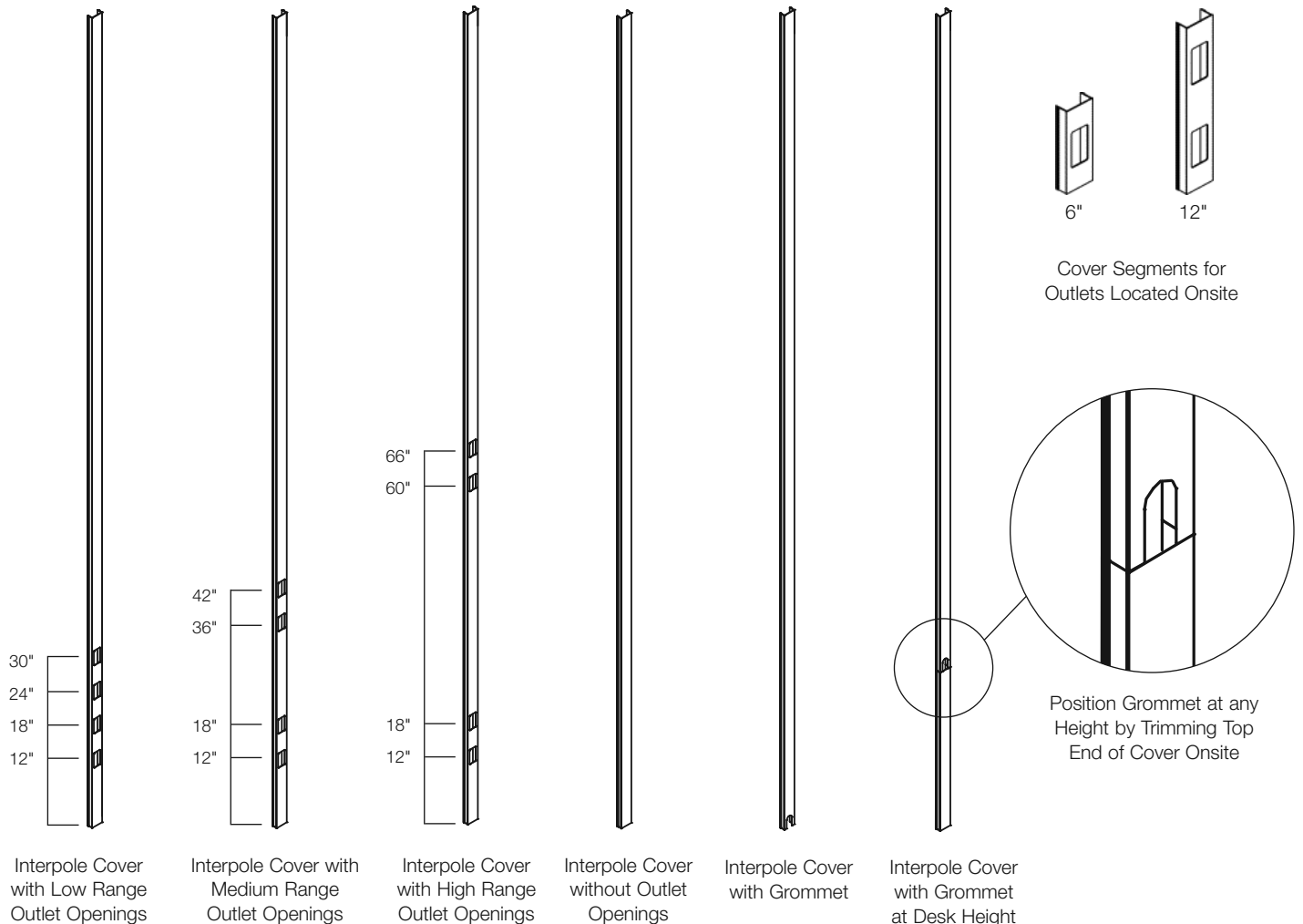
Covers are also available in a 6" or 12" segment for one or two outlet openings to be positioned anywhere on a pole. This can be especially useful when a single outlet is required behind a TV and no outlets are needed below. In this case specify a pole with covers without outlets, and trim a side cover to fit above and below the outlets cover segment.

Construction

Interpole poles and covers are extruded aluminum. Levelers are steel threaded stems with painted surface on molded ABS caps. Ceiling and floor mounting plates are painted steel.




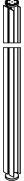
Specification Options

Poles and covers can be specified in natural anodized aluminum (AA) or powder coated Bright White finish (118T). Leveler caps are Satin Chrome (PS) or painted Jet Black (111) or Bright White (118).



Interpole Poles and Covers

Without Outlets (no holes for power)

description	type	w	d	h	pattern no.	AA	118T
Pole with covers, no outlet openings 	Straight	2.3"	3.5"	144"	IPSCNN144	\$2,229.	\$2,639.
Pole with covers, no outlet openings, grommet in one cover 	Straight	2.3"	3.5"	144"	IPSCNG144	2,322.	2,737.
Extension Pole with covers 	Straight	2.3"	3.5"	47"	IPESCNN47	1,251.	1,505.
Pole without covers 	Straight	2.3"	3.5"	144"	IPSN144	1,543.	1,707.

Ordering Information

Interpole Poles Without Outlets

1. Pattern Number
2. Finish

Order Code

Interpole Poles Without Covers

Example: **IPSCNG144, 118T**

IP	Interpole
S	Straight
C	Covers
N	No Outlets
G	Grommet in one cover
144	Height
118T	Bright White Paint

Included With

Interpole Pole
Attachment Hardware

Extension Pole
(2) Splices
(8) Screws


Options

Interpole Pole
Finish Options:


Pole and Cover
(AA) = Anodized Aluminum
(118T) = Bright White Paint

Leveller
(PS) Satin Chrome
(111) Jet Black
(111) Bright White

Interpole Poles and Covers With Outlets

description	type	w	d	h	pattern no.	AA	118T
 Poles with covers, with outlet openings one side	Straight high range	2.3"	3.5"	144"	IPSCNH144	\$2,475.	\$2,885.
	Straight low range	2.3"	3.5"	144"	IPSCNL144	2,475.	2,885.
	Straight medium range	2.3"	3.5"	144"	IPSCNM144	2,475.	2,885.

IPSCNL144 shown

 Poles with covers, with outlet openings both sides	Straight high range	2.3"	3.5"	144"	IPSCHH144	2,634.	3,049.
	Straight low range	2.3"	3.5"	144"	IPSCLL144	2,634.	3,049.
	Straight medium range	2.3"	3.5"	144"	IPSCMM144	2,634.	3,049.

IPSCLL144 shown

Ordering Information

Interpole Poles With Outlets

1. Pattern Number
2. Finish

Order Code

Interpole Poles With Outlets

Example: **IPSCHH144, AA**

IP	Interpole
S	Straight
C	Covers
HH	High Outlets Two Sides
144	Height
AA	Anodized Aluminum

Included With

Interpole Pole
Attachment Hardware

Options

Interpole Pole Finish Options:

Pole and Cover
(AA) = Anodized Aluminum
(118T) = Bright White Paint

Leveller
(PS) Satin Chrome
(111) Jet Black
(111) Bright White

Interpole power system is a two-circuit, four wire system of snap together outlets, connectors between outlets and infeed from junction box in floor or ceiling.

Duplex outlets are available preconfigured for either circuit 1 or circuit 2. Duplex outlets include a bracket that lets them attach to the inside of the pole channel at any height. Poles ordered with openings have mounting positions for outlets corresponding to openings in covers.

Power connectors are available for adjacent outlets separated by 6" on center, outlets separated by 18" on center, or for outlets separated by 42" on center.

Interpole power infeeds include one end with a modular connector to the first duplex outlet, a flexible metal conduit, and a pigtail for connection to a code approved junction box supplied by the electrical contractor. The conduit length can be ordered in 6', 8', 10' or 18' lengths depending on the distance between the first outlet and the junction box in the floor or ceiling.

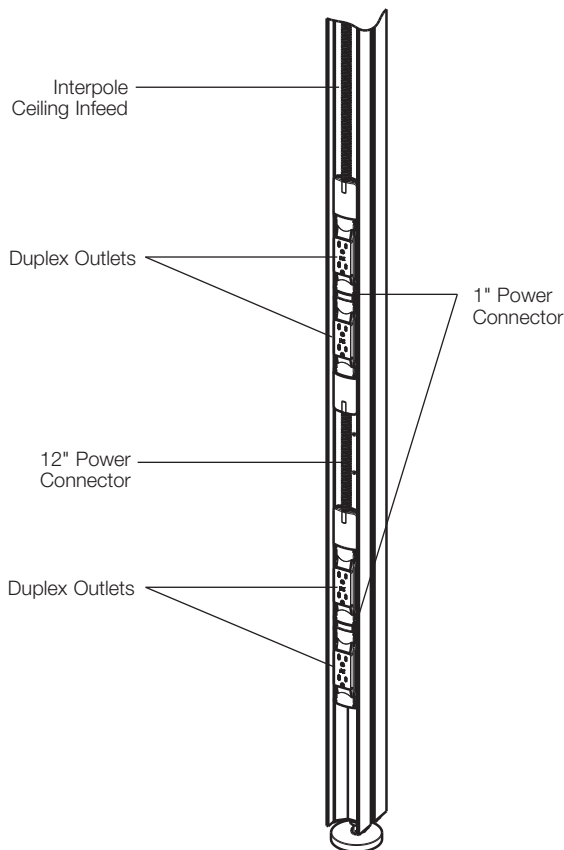
The pole levelers create a 1 1/2" space between the pole and the floor or ceiling to facilitate cable entry and exit, which can be increased by trimming the cover onsite.

Communications cables can be routed through the side of a pole that does not contain power components to provide separation. Cable capacity in each channel is maximum 3 square inch cross section. A flexible cover liner is available to protect cables from trimmed cover ends.

One to three communications cables can also be routed from the ceiling through the side of a pole that does have power infeed but should exit the pole through a hole in the cover or be terminated in a communications faceplate above the power outlets. The flexible conduit enclosing the power infeed will provide separation of high and low voltage distribution.

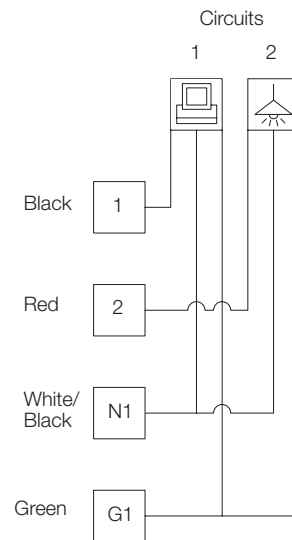
Specification Options

For duplex outlets specify black (B) or white (W).



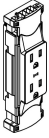

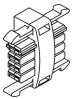
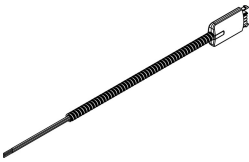
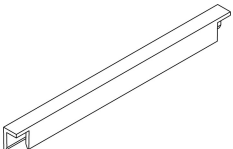
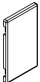
Pole without Covers with Medium Range Outlets, Connectors and Ceiling Infeed

Wiring Diagram (two-circuit, four wire)



Interpole Power Components

Power to Outlets within Interpole

description	type	w	d	h	pattern no.	B	W	list
Duplex Outlet 	Circuit 1				IPRD1()	\$141.	\$156.	
	Circuit 2				IPRD2()	141.	156.	
USB Outlet 	Circuit 1				IPRUSB()	226.	259.	
Power Connectors between Outlets 	Outlets 6" apart o.c.			1"	IPRC6			25.
	Outlets 18" apart o.c.			12"	IPRC18			110.
	Outlets 30" apart o.c.			24"	IPRC30			126.
	Outlets 42" apart o.c.			36"	IPRC42			142.
Modular Infeeds from Ceiling J-Box 	From 12' ceiling to outlets at 66"			72"	IPRCF72			197.
	From 12' ceiling to outlets at 42"			96"	IPRCF96			231.
	From 12' ceiling to outlets at 30"			120"	IPRCF120			264.
	Very high ceiling			180"	IPRCF180			351.
Edge Liner 	Set of 10 for field cut cover				IPEL			88.
Blank Outlet Filler 	For use with Interpole				IPROF			31.

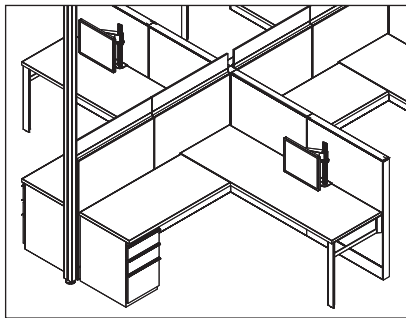
Ordering Information	Order Code	Included With	Options
Electrical Components 1. Pattern Number Duplex Outlet 1. Pattern Number 2. Finish	Electrical Components <hr/> <i>Example:</i> IPRCF120 <hr/> IP Interpole <hr/> RCF Ceiling Infeed <hr/> 120 Height <hr/> Duplex Outlet <hr/> <i>Example:</i> IPRD1W <hr/> IPRD Interpole Receptacle Duplex <hr/> 1 Circuit 1 <hr/> W White	Electrical Components Outlets Brackets Attachment Hardware	Electrical Component Duplex Outlet Finish Options: (B) Black (W) White Blank Outlet Filler Finish Options: (BLK) Black (GRY) Grey

Ceiling infeeds to Antenna Workspaces and other Knoll systems

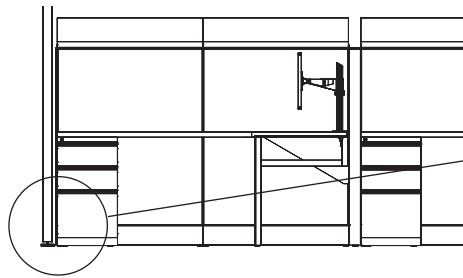
Power infeeds to open plan systems can be routed through a pole channel that has no Interpole power components or outlet openings. Pole should be positioned no more than 18" away from systems furniture.

Power infeed should be ordered in a length adequate to connect from junction box in ceiling, through Interpole pole to power harness in adjacent Antenna desk, big table or Fence, or panel system base infeed location.

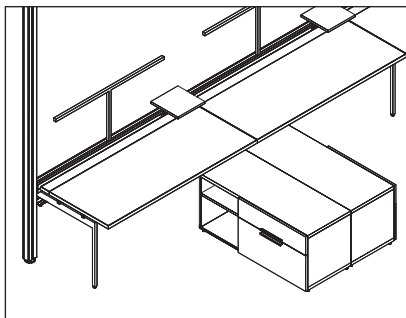
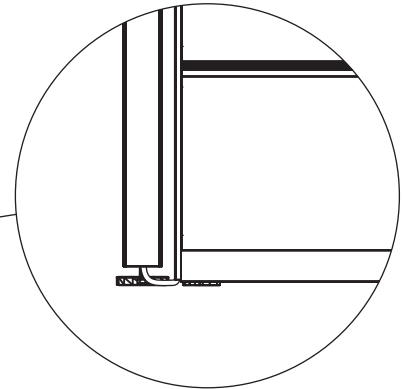
Ceiling infeeds for Antenna Workspaces are available in 2+2, eight wire, four circuit, or 3+3, ten wire, six circuit configurations, in two lengths: 12' or 20' long. Standard ceiling infeeds for Dividends Horizon, AutoStrada or Reff Profiles applications are available in various circuit configurations and lengths (see each catalog for more information).



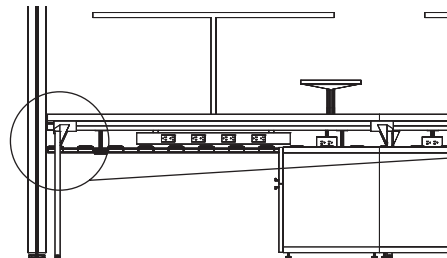
Conduit to Dividends Horizon Panels



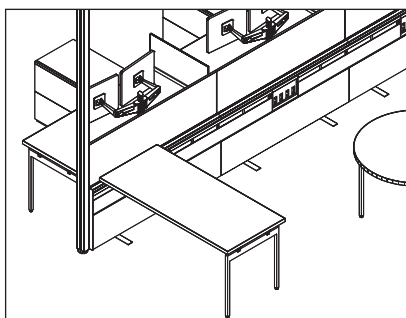
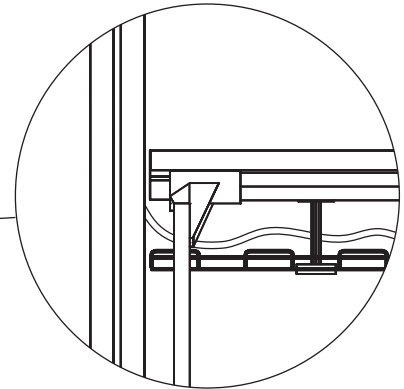
Elevation of conduit to Dividends Horizon Panels



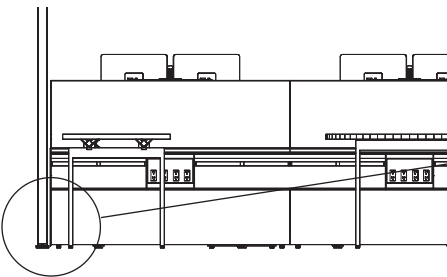
Conduit to Antenna Workspaces Single-Sided Basic Big Table



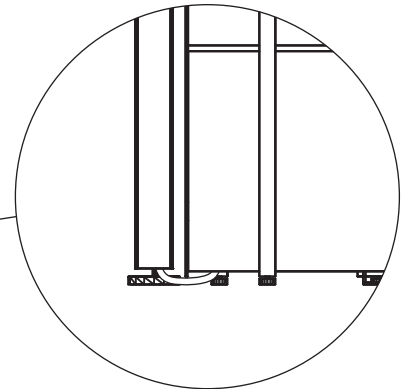
Elevation of conduit to Antenna Workspaces Single-Sided Basic Big Table



Conduit to Antenna Fence



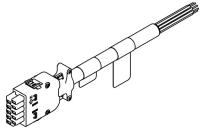
Elevation of Conduit to Antenna Fence



Interpole Power Components

Ceiling Infeeds to other Systems

description	type	length	pattern no.	list
Ceiling infeed passing through Interpole to Antenna desk, Big Table or Fence	2+2	12'	YR1EPIC12	\$433.
	2+2	20'	YR1EPIC20	787.
	3+3	12'	YR1TPIC12	468.
	3+3	20'	YR1TPIC20	825.
Ceiling infeed passing through Interpole to Dividends Horizon Panels	2+2	19 1/2'	DE18CI144	341.
	3+1	19 1/2'	DE1ECI144	310.
	3+3	19 1/2'	DE1TCI144	394.
Ceiling infeeds passing through Interpole to Reff Profiles panels	2+2	13'	RR3EPVR	310.
	3+3	13'	RR3TPVR	374.
Ceiling infeeds passing through Interpole to AutoStrada Spine	2+2	145"	AR1EPIC	252.
	3+3	145"	AR1TPIC	287.



Ordering Information	Order Code	Included With	Options
Interpole Ceiling Infeed	Interpole Ceiling Infeed	Interpole Ceiling Infeed	Interpole Ceiling Infeed
1. Pattern Number	<i>Example:</i> YR1TPIC12		
	YR1 Antenna Power Component		
	TP 10 Wire		
	IC Interpole Ceiling Infeed		
	12 Length		

Interpole Accessories

Interpole cable clips engage the slot on each wide side to manage a bundle of cables up to 3/4" in diameter. Cable clips are medium grey plastic, available in a kit of 50.

Ceiling tile trim kit is designed to trim the edge of a suspended ceiling tile cut to fit around the Interpole pole.

Interpole poles have two continuous vertical slots and two continuous channels that are ready to accept monitor supports. Twelve Interpole-specific Sapper mounts are available: standard monitor arm, sleeve arm, Sapper 50 monitor arm, Sapper 50 sleeve arm and Sapper XYZ. Interpole slot mounting options or channel mounting options and arms can be ordered as a complete kit or a la carte in the KnollExtra Sapper Monitor Arm collection.

PC mounting bracket is a flat plate with holes corresponding to standard 4" x 4" array of four mounting holes on a small form factor PC. PC mounting bracket is black painted finish only.

CPU Holder with adjustable straps can support electronics boxes sized 3.5" wide and 30" high or 7" wide and 23" high, or any box that two times the width plus the height equals 37" total or less.

Cantilever shelf supports remotes or small portable electronics on the pole at any height. Shelf is 12" x 12" x 3/4" thick, with laminate or veneer surface, mounted on an Antenna L-bracket to the slot on either side of a pole. Maximum weight limit for the cantilever shelf is 58 lbs.

Interpole bag hook, coat hook and KnollExtra accessory cup mount to the slot on either side of a pole.

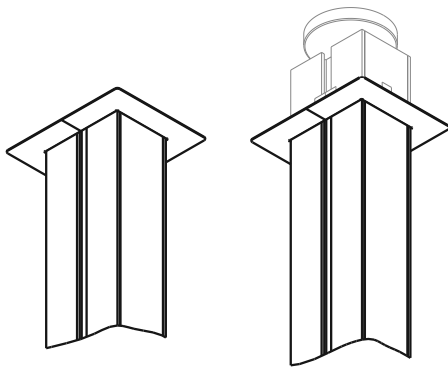
Construction

Cantilever shelf is solid MDF with laminate top and bottom and matching ABS edge or veneer on all surfaces. Ceiling tile trim kit is painted steel, in two interlocking parts, with a 1" wide frame around pole.

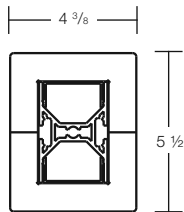
CPU Holder with adjustable straps includes painted black brackets and black straps with hook and loop fasteners.

Specification Options

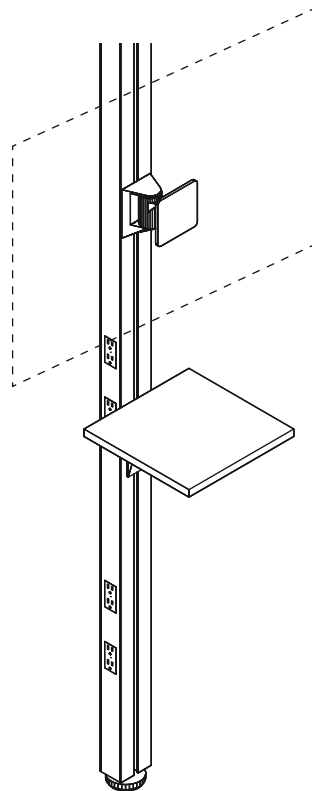
For cantilever shelf specify laminate (L) or veneer (V) in any core laminate or veneer finish. Cantilever support bracket is available in any Knoll core paint finish, Dark Red or Slate Blue. Ceiling tile trim kit is available in painted Silver (613) or Bright White (118T).



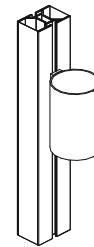
Detail of Ceiling Trim Mounted on Pole with Covers



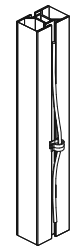
Section of Ceiling Trim and Pole with Covers



Slot Mount Sapper Sleeve Arm Mounted on Pole with Covers and Medium Range Outlets



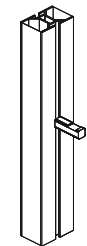
KnollExtra Accessory Cup



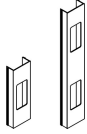



Cable Clip



Coat Hoak



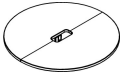
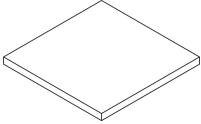
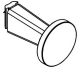
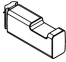
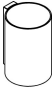

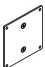
Bag Hook

description	type	w	d	h	pattern no.	AA	118T	list
Outlet Covers 	One opening	2"		6"	IPOC6	\$200.	\$208.	
	Two openings	2"		12"	IPOC12	216.	229.	
Cable Clips for Interpole 	Package of 50				YR1BCC50			271.
Internal Cable Clips 	Package of 10				IPCC10			13.
Ceiling Tile Trim 	For use with Interpole Poles with Covers				IPCT			74.
Extension Pole Extra Hardware Kit	For attaching additional extension pole segments				IPEX			205.

Ordering Information	Order Code	Included With	Options
Antenna Outlet Cover 1. Pattern Number 2. Finish Cantilever Shelf 1. Pattern Number 2. Surface Finish 3. Bracket Paint Finish Hooks and Accessory Cup 1. Pattern Number 2. Paint Finish	Antenna Outlet Covers <i>Example:</i> IPOC12, 118T <hr/> IPOC Interpole Outlet Cover <hr/> 12 Height <hr/> 118T Bright White Paint <hr/> Cantilever Shelf <i>Example:</i> IPCS1212L, 118, 118T <hr/> IP Interpole <hr/> CS Cantilever Shelf <hr/> 12 Width <hr/> 12 Depth <hr/> L Laminate <hr/> 118 Bright White Laminate <hr/> 118T Bright White Paint	Antenna Outlet Covers Extension Pole Hardware Kit (2) Splices (8) Screws Cantilever Shelf Bracket Attachment Hardware Hooks and Accessory Cup Attachment Hardware Internal Cable Clips (10) Cable Clips (10) Screws	Antenna Outlet Covers Finish Options: (AA) = Anodized Aluminum (118T) = Bright White Paint Ceiling Tile Trim Finish Options: (613) = Silver (118T) = Bright White Paint Cantilever Shelf Finish Options: (L) Laminate (V) Veneer Hooks and Accessory Cup Finish Options: (111) Jet Black (115) Medium Grey (118) Bright White (130) Dark Red (131) Slate Blue

Interpole Accessories

Interpole Accessories

description	type	w	d	h	pattern no.	Laminate (L)	V1 (V)	V2 (V)	V3 (V)	list
Interpole Round Platform 	Interpole Slot Mount	30"	30"	3/4"	IPPL30R					\$1,486.
Cantilever Shelf 	Square 12x12 Interpole Slot Mount	12"	12"	3/4"	IPCS1212()	164.	308.	354.	461.	
Coat Hook 	Interpole Slot Mount				IPCH					33.
Bag Hook 	Interpole Slot Mount				IPBH					31.
Accessory Cup 	KnollExtra™ Accessory Cup (see KnollExtra price list for details)				ACT-CUP-IP					82.
CPU Mounting Brackets with Adjustable Straps 	Interpole Slot Mount				IPACPU					239.
CPU Mounting Plate 	Interpole Slot Mount				IPAVESA					69.

Ordering Information

Cantilever Shelf

1. Pattern Number
2. Surface Finish
3. Bracket Paint Finish

Hooks and Accessory Cup

1. Pattern Number
2. Paint Finish

Order Code

Cantilever Shelf

Example: IPCS1212L, 118, 118T

IP	Interpole
CS	Cantilever Shelf
12	Width
12	Depth
L	Laminate
118	Bright White Laminate
118T	Bright White Paint

Included With

Cantilever Shelf

Bracket
Attachment Hardware

Hooks and Accessory Cup

Attachment Hardware

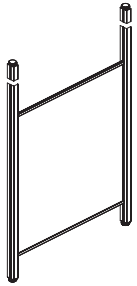
Options

Cantilever Shelf

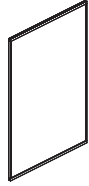
Finish Options:
(L) Laminate
(V) Veneer

Hooks and Accessory Cup

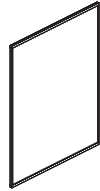
Finish Options:
(111) Jet Black
(115) Medium Grey
(118) Bright White
(130) Dark Red
(131) Slate Blue



36" wide



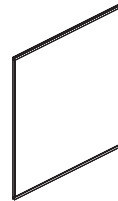
42" wide



48" wide



54" wide



60" wide

Interpole Screens

Interpole screens plan between poles to create a markerboard or tackable surface and to delineate the boundary of an activity space. Screens include a perimeter frame that mounts on each vertical side to the slot of an Interpole. Screens planned end to end can share an Interpole between them for support.

Screen surface options are:

- Markerboard laminate on both sides
- Markerboard laminate on one side with tackable fabric on the other
- Translucent laminated glass
- Opaque markerboard laminated glass.

Any standard Antenna screen fabric is standard on Antenna Interpole screens. Laminate and glass markerboard surfaces should only be used with dry-erase markers.

Screen Planning Options

Interpole screens can be mounted at any height beginning 6" above the floor.

Interpole screens 64 1/2"H are typically mounted 10" above the floor to a horizon of 74 1/2" for boundary applications, or as high as 24" above the floor for most convenient access to marker tray in markerboard applications.

Interpole screens are available in every 6" increment of width from 36" to 60" between poles, aligning perfectly with corresponding Antenna Workspaces or other "full-module" desks or storage components. Screens plan full-module width plus 3" between centerlines of Poles.

Optional marker tray is deep enough to hold dry erase markers, erasers and pushpins on both faces of any type of screen. Marker tray includes a lip at the front edges aligning with the face of the poles. Marker tray is integral to the frame and can only be positioned at the bottom.

Note that screens utilize the side slot in which Sapper Monitor arms normally mount, so to mount a monitor to the face of a pole between two screens specify a "channel mount" version Sapper arm or sleeve mount.

Construction

Screen frames and optional marker trays are extruded aluminum with a natural anodized or painted surface. Frames mount to poles with steel brackets and flexnuts.

Optional marker tray replaces the bottom frame element of screens without a marker tray.

Screen surface options are:

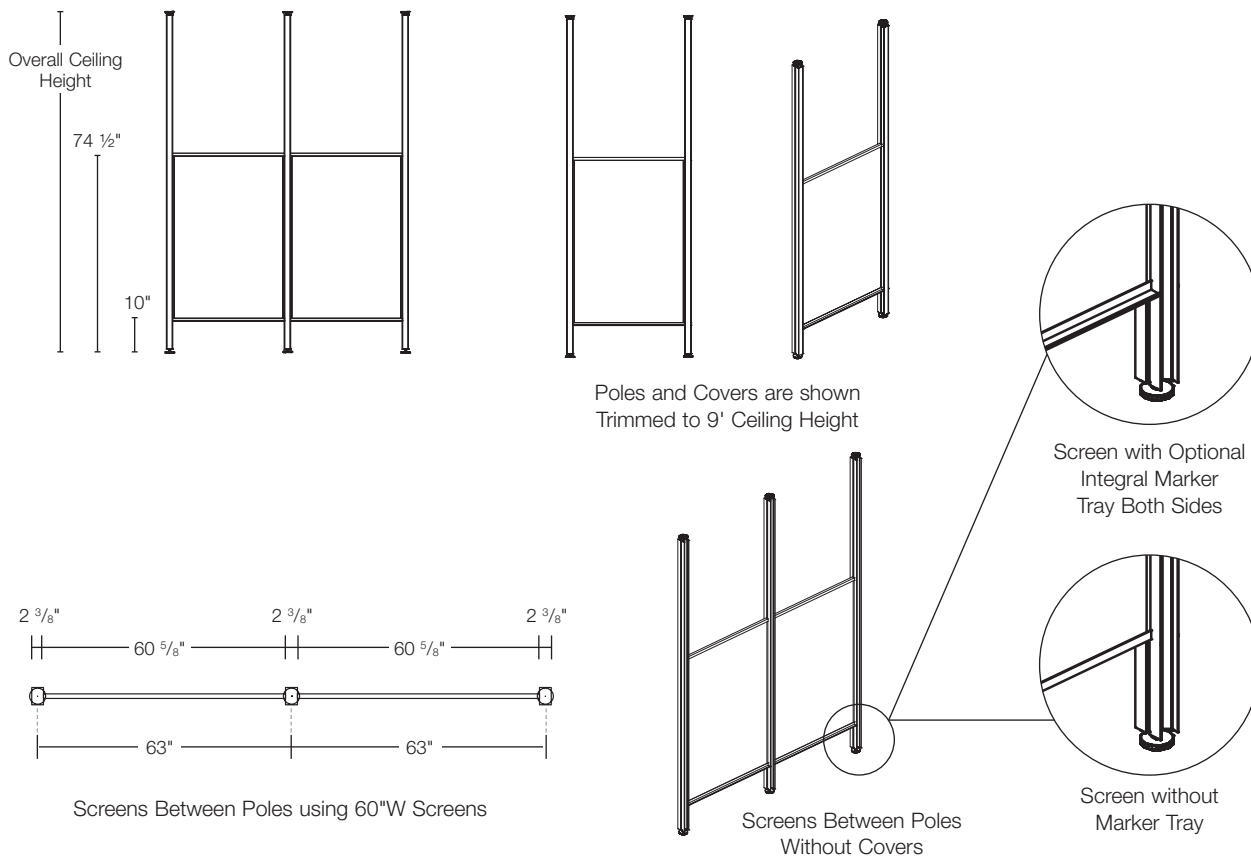
markerboard laminate on 3/4" fiberboard core, fabric on tackable 5/16" PET plus markerboard laminate on 3/8" fiberboard core with a paper backer, translucent laminated glass or opaque white laminated glass totaling 3/8" thickness and held in a frame with an ABS plastic extrusion.

Specification options

Screens are available with or without integral marker tray on both sides. Specify markerboard laminate both faces (LL), markerboard laminate one side, tackable fabric on the other (LF), opaque white laminated glass (GG) or translucent laminated glass (GT).

Specify natural anodized (AA) or Bright White (118) painted perimeter frame.

Specify Antenna screen fabric option.

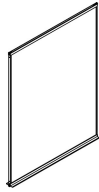


Interpole Screens

Markerboard Laminate or Glass

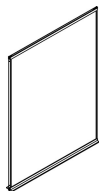
64" High

description	w	d	h	pattern no.	list
Screens Between Poles, Laminated Opaque Glass Both Sides	36"	15/16"	64.5"	IPSC6436(N/T)GG	\$4,356.
	42"	15/16"	64.5"	IPSC6442(N/T)GG	4,941.
	48"	15/16"	64.5"	IPSC6448(N/T)GG	5,489.
	54"	15/16"	64.5"	IPSC6454(N/T)GG	6,099.
	60"	15/16"	64.5"	IPSC6460(N/T)GG	6,663.



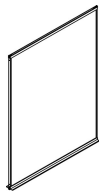
(IPSC6448TGG shown)

Screens Between Poles, Laminated Translucent Glass Both Sides	36"	15/16"	64.5"	IPSC6436(N/T)GT	3,752.
	42"	15/16"	64.5"	IPSC6442(N/T)GT	4,233.
	48"	15/16"	64.5"	IPSC6448(N/T)GT	4,689.
	54"	15/16"	64.5"	IPSC6454(N/T)GT	5,202.
	60"	15/16"	64.5"	IPSC6460(N/T)GT	5,663.



(IPSC6448TGG shown)

Screens Between Poles, Markerboard Laminate Both Sides	36"	15/16"	64.5"	IPSC6436(N/T)LL	1,368.
	42"	15/16"	64.5"	IPSC6442(N/T)LL	1,420.
	48"	15/16"	64.5"	IPSC6448(N/T)LL	1,445.
	54"	15/16"	64.5"	IPSC6454(N/T)LL	1,527.
	60"	15/16"	64.5"	IPSC6460(N/T)LL	1,553.



(IPSC6448TGG shown)

Order Information

- Interpole Screens**
 1. Pattern Number
 2. Frame Paint Finish

Order Code

Interpole Screens	
<i>Example:</i> IPSC6448TGT, 118T	
IP	Interpole
SC	Screen
64	Height
48	Width
T	Marker Tray
GT	Translucent Glass
118T	Bright White Paint

Included With

Interpole Screens
 Attachment Hardware

Options

Interpole Screens
 (N) = No Marker Tray
 (T) = Integral Dual Marker Tray

Finish Options:
 (LL) = Markerboard Laminate both sides
 (GG) = Laminated Opaque Glass
 (GT) = Laminated Translucent Glass
 (LF) = Markerboard Laminate one side/Tackable Fabric other side

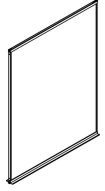
Frame Finish:
 (AA) = Anodized Aluminum
 (118T) = Bright White Paint

Interpole Screens

Markerboard/Tackable Fabric Combination

64" High

description	w	d	h	pattern no.	10	20	30	40	45
Screens Between Poles, Markerboard Laminate One Side/ Tackable Fabric Opposite Side	36"	15/16"	64.5"	IPSC6436(N/T)LF	\$1,568.	\$1,620.	\$1,648.	\$1,666.	\$1,768.
	42"	15/16"	64.5"	IPSC6442(N/T)LF	1,630.	1,679.	1,707.	1,724.	1,830.
	48"	15/16"	64.5"	IPSC6448(N/T)LF	1,681.	1,732.	1,759.	1,775.	1,881.
	54"	15/16"	64.5"	IPSC6454(N/T)LF	1,802.	1,850.	1,881.	1,896.	2,004.
	60"	15/16"	64.5"	IPSC6460(N/T)LF	1,825.	1,873.	1,901.	1,917.	2,024.



(IPSC6448TGG shown)

Order Information

- Interpole Screens**
1. Pattern Number
 2. Fabric Finish
 3. Frame Paint Finish

Order Code

Interpole Screens	
<i>Example:</i> IPSC6448TGT, 118T	
IP	Interpole
SC	Screen
64	Height
48	Width
T	Marker Tray
GT	Translucent Glass
118T	Bright White Paint

Included With

Interpole Screens
Attachment Hardware

Options

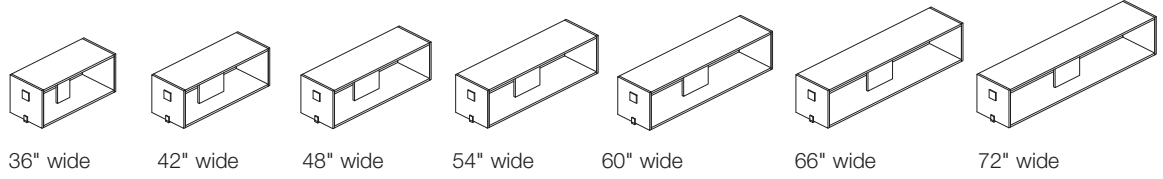
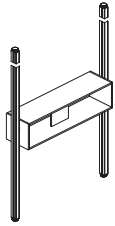
Interpole Screens
(N) = No Marker Tray
(T) = Integral Dual Marker Tray

Finish Options:
(LL) = Markerboard Laminate both sides
(GG) = Laminated Opaque Glass
(GT) = Laminated Translucent Glass
(LF) = Markerboard Laminate one side/Tackable Fabric other side

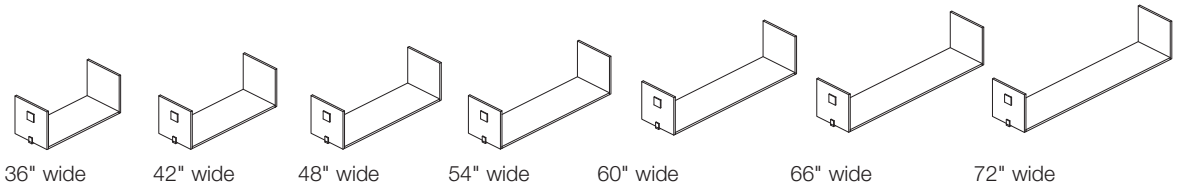
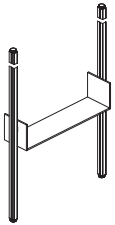
Frame Finish:
(AA) = Anodized Aluminum
(118T) = Bright White Paint

Horizontal Wood Open Cabinets

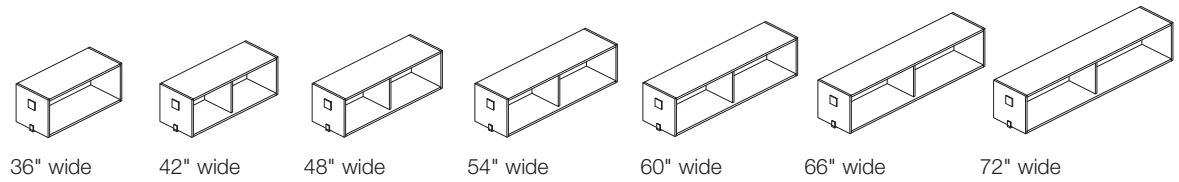
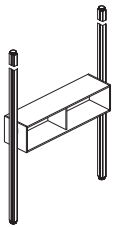
Interpole Open Shelf



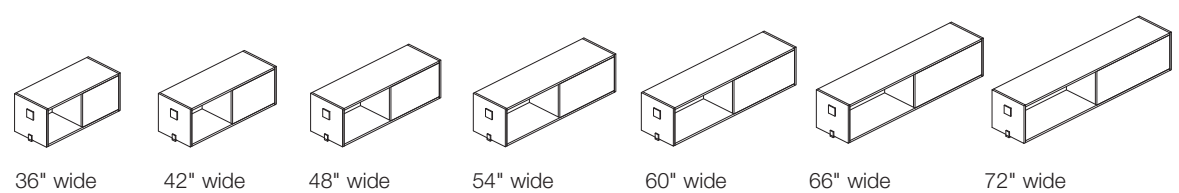
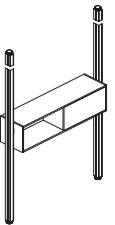
Interpole Open Shelf with Bookends



Interpole Open Shelf with Enclosed Back

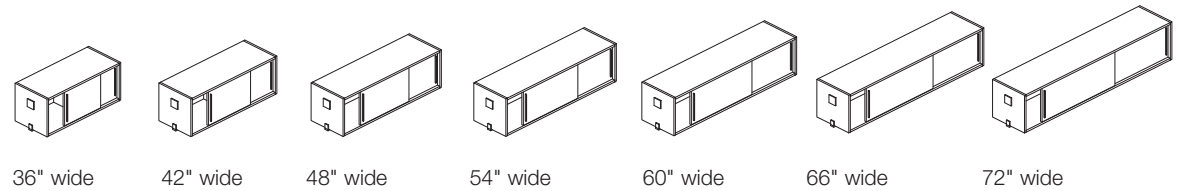
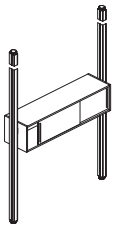


Interpole Shared Open Front with Enclosed Back

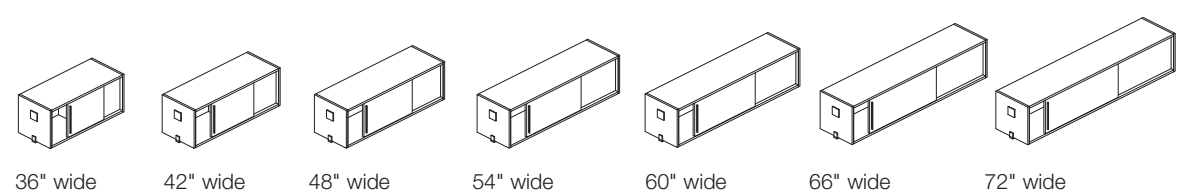
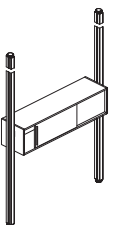


Horizontal Wood Enclosed Cabinets

Interpole Sliding Door Cabinet

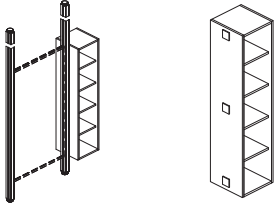


Interpole Shared Sliding Door Cabinet



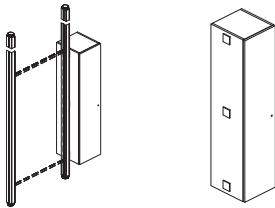
Vertical Wood Open Cabinets

Interpole Vertical Cabinet, Open with Four Shelves

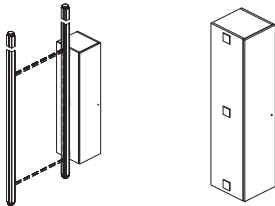


Vertical Wood Enclosed Cabinets

Interpole Vertical Cabinet, Door with Four Shelves



Interpole Vertical Cabinet, Wardrobe



Interpole Horizontal Open Cabinets

Interpole horizontal open cabinets mount at any height between two poles to provide storage that supports and defines workstations, offices or activity spaces. Open cabinets are available in four configurations: open shelf, open shelf with bookends, open shelf with enclosed back, and shared open front with enclosed back. All open horizontal cabinets are available in 36", 42", 48", 54", 60", 66" and 72" widths.

Interpole cabinets include mounting kit and hardware to secure case between two poles. Mounting kit includes two L-brackets, two $\frac{15}{16}$ " thick dove-tail spacers and inserts and a horizontal steel stiffener.

Open shelf cabinets have a center partition parallel to the open front and back that provides structural support and serves to filter sightlines through the cabinet. Cabinets 36"W have a 6" wide center panel, cabinets 42" and wider have a 12" wide center panel. Support panel and all interior surfaces can be specified in a different laminate than exterior surfaces.

Open shelf with bookends includes a bottom shelf and two vertical side gables. The exterior surfaces include the inside of gables and top of shelf. Exterior surfaces can be specified in any Knoll core laminate or veneer.

Open shelf with enclosed back includes a full back, recessed $\frac{1}{2}$ " for option fabric insert, specified separately. Both sides of recessed backs are considered interior surfaces, if specifying two-tone laminate finishes.

Shared open front with enclosed back cabinets include flush backs. The exterior face of flush backs will match the exterior core laminate finish.

All Interpole horizontal cabinets are 15"H x 15 $\frac{5}{8}$ "D, with 13 $\frac{1}{2}$ " clear interior height for binder storage. Cabinet sides, top and bottom are $\frac{3}{4}$ " thick, in laminate or veneer, or a combination of laminates.

Interpole horizontal cabinets plan with a 1 $\frac{1}{2}$ " high gap between the top shelf of the lower cabinet and the bottom shelf of the cabinet above. The $\frac{1}{2}$ " high horizontal stiffener on the underside of a cabinet is located within the 1 $\frac{1}{2}$ " high spacing between cabinets.

Construction

Case is composed of $\frac{3}{4}$ " thick wood panels, with discreet glue-and-dowel connections.

Case mounts between poles with two cast aluminum spacers and inserts, two cast aluminum L-brackets, one horizontal stiffener rail and flex nuts. Horizontal shelf stiffener is a bent steel tube.

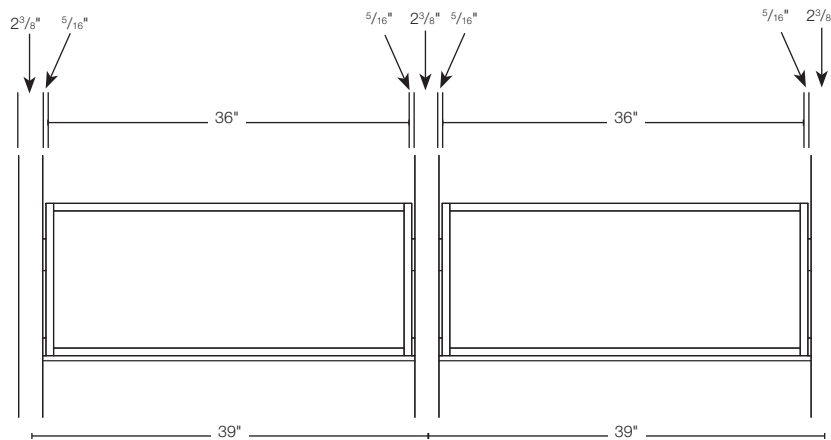
Specification Options

Specify laminate (L), "mixed" two-tone laminate (L) or veneer (V) case.

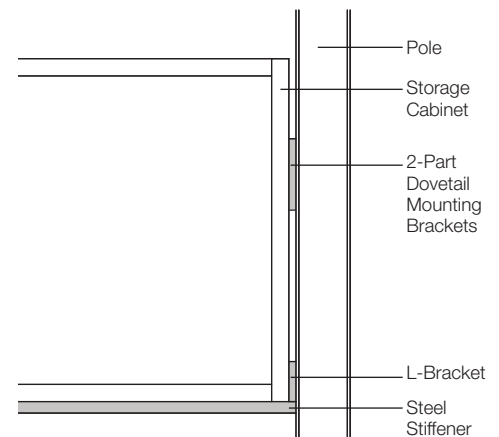
Case finish exterior is available in any Knoll core laminate or veneer. When the case exterior is laminate, case interior and inset back are available in any Knoll Core or Accent laminate. When an Accent laminate is specified, the edgeband will match the exterior core laminate finish.

Mounting brackets are available in any Knoll Core paint finish, Dark Red or Slate Blue.

Specify optional fabric inserts separately.



Interpole Mounted Open Shelf with Enclosed Back Front Elevation



Detail of Interpole Horizontal Cabinet Mounting Hardware

Interpole Horizontal Enclosed Cabinets

Interpole horizontal enclosed wood cabinets mount at any level between two poles to provide storage that supports and defines workstations, offices or activity spaces. Enclosed cabinets are available in two configurations: sliding door cabinet case with overlapping sliding doors or shared sliding door cabinets. All enclosed horizontal cabinets are available in 36", 42", 48", 54", 60", 66" and 72" widths.

Interpole cabinets include mounting kit and hardware to secure case between two poles. Mounting kit includes two L-brackets, two $\frac{15}{16}$ " thick dove-tail spacers and inserts, and a horizontal steel stiffener.

Sliding door cabinets with overlapping sliding doors have two half-width doors, in laminate or veneer surface and a full back, recessed $\frac{1}{2}$ " for optional fabric insert, specified separately. Sliding door cabinets include a center partition for structure.

Shared sliding door cabinets have a sliding door on each face overlapping the recessed back of the cabinet facing the other side. Cabinets can be specified with both openings on the left or both on the right side.

Enclosed Interpole cabinets can be specified in all laminate or veneer or mixed surface laminate: all interior surfaces of laminate cabinet can be specified in a contrasting core or accent laminate. Partition and inset back are considered interior surfaces on both faces.

All Interpole horizontal cabinets are 15"H x 15 $\frac{5}{8}$ "D, with 13 $\frac{1}{2}$ " clear interior height for binder storage. Cabinet sides, top and bottom are $\frac{3}{4}$ " thick, in laminate or veneer, or a combination of laminates.

Interpole horizontal cabinets plan with a 1 $\frac{1}{2}$ " high gap between the top shelf of the lower cabinet and the bottom shelf of the cabinet above. The $\frac{1}{2}$ " high horizontal stiffener on the underside of a cabinet is located within the 1 $\frac{1}{2}$ " high spacing between cabinets.

Construction

Case is composed of $\frac{3}{4}$ " thick wood panels, with discreet glue-and-dowel connections.

Case mounts between poles with two cast aluminum spacers and inserts, two cast aluminum L-brackets, one horizontal stiffener rail and flex nuts. Horizontal shelf stiffener is a bent steel tube.

Specification Options

Specify laminate (L), "mixed" two-tone laminate (L) or veneer (V) case.

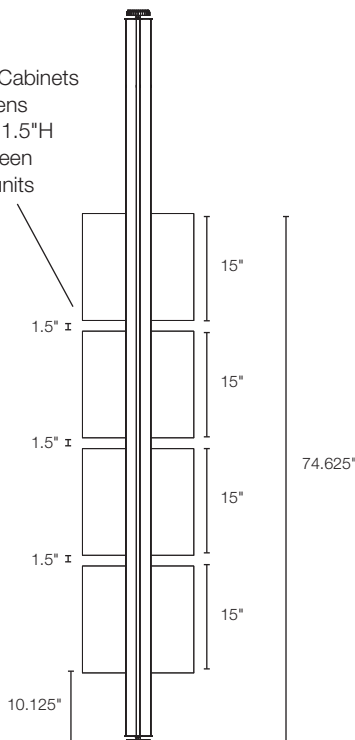
Case finish exterior is available in any Knoll core laminate or veneer. When the case exterior is laminate, case interior and inset back are available in any Knoll Core or Accent laminate. When an Accent laminate is specified, the edgeband will match the exterior core laminate finish.

Door sets are specified separately to enable any combination of wood or laminate case and doors. Specify door front sets in any Knoll Core laminate (L) or veneer (V).

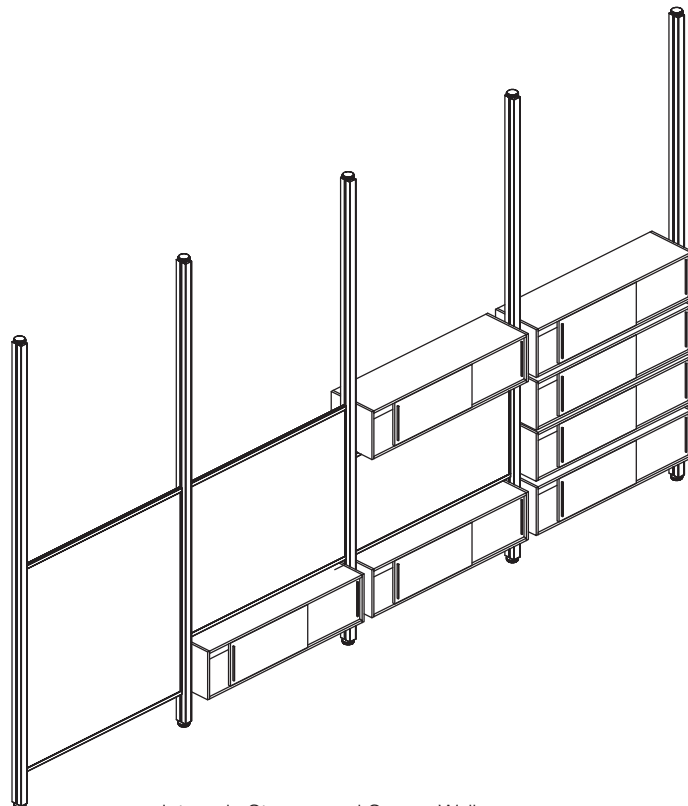
Pulls and mounting brackets are available in any Knoll Core paint finish, Dark Red or Slate Blue.

Specify optional fabric inserts separately.

Interpole Cabinets and Screens plan with 1.5"H gap between stacked units

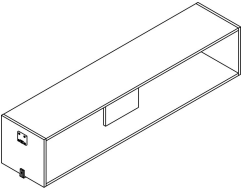
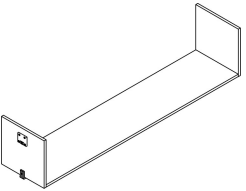
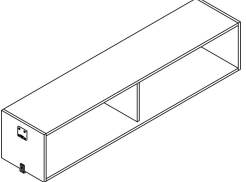


Interpole Storage Wall End Elevation



Interpole Storage and Screen Wall

Interpole Horizontal Wood Storage For Mounting Between Two Poles Open Cabinets

description	w	d	h	pattern no.	All Same	Different	Different	V1	V2	V3
					Laminate (Core Lam.) (L)	Laminate Case/Interior (Core Lam.) (L)	Laminate Case/Interior (Accent Lam.) (L)			
 Interpole Open Shelf	36"	15 ⁵ / ₈ "	15"	IPSOS3615()	\$1,547.	\$1,686.	\$2,187.	\$2,187.	\$2,493.	\$3,077.
	42"	15 ⁵ / ₈ "	15"	IPSOS4215()	1,574.	1,748.	2,285.	2,285.	2,605.	3,217.
	48"	15 ⁵ / ₈ "	15"	IPSOS4815()	1,684.	1,834.	2,408.	2,408.	2,742.	3,383.
	54"	15 ⁵ / ₈ "	15"	IPSOS5415()	1,761.	1,916.	2,467.	2,467.	2,805.	3,522.
	60"	15 ⁵ / ₈ "	15"	IPSOS6015()	1,837.	1,997.	2,526.	2,526.	2,869.	3,661.
	66"	15 ⁵ / ₈ "	15"	IPSOS6615()	1,894.	2,060.	2,669.	2,669.	3,035.	3,876.
	72"	15 ⁵ / ₈ "	15"	IPSOS7215()	1,952.	2,124.	2,813.	2,813.	3,200.	4,090.
	 Interpole Open Shelf with Bookends	36"	15 ⁵ / ₈ "	15"	IPSOB3615()	1,044.	n/a	n/a	1,515.	1,741.
42"		15 ⁵ / ₈ "	15"	IPSOB4215()	1,057.	n/a	n/a	1,530.	1,760.	2,065.
48"		15 ⁵ / ₈ "	15"	IPSOB4815()	1,131.	n/a	n/a	1,608.	1,849.	2,171.
54"		15 ⁵ / ₈ "	15"	IPSOB5415()	1,284.	n/a	n/a	1,765.	2,031.	2,383.
60"		15 ⁵ / ₈ "	15"	IPSOB6015()	1,595.	n/a	n/a	2,090.	2,404.	2,821.
66"		15 ⁵ / ₈ "	15"	IPSOB6615()	1,741.	n/a	n/a	2,241.	2,577.	3,025.
72"		15 ⁵ / ₈ "	15"	IPSOB7215()	1,794.	n/a	n/a	2,255.	2,593.	3,044.
 Interpole Open Shelf with Enclosed Back		36"	15 ⁵ / ₈ "	15"	IPSOE3615()	1,589.	1,743.	2,204.	2,255.	2,511.
	42"	15 ⁵ / ₈ "	15"	IPSOE4215()	1,640.	1,794.	2,306.	2,358.	2,665.	3,229.
	48"	15 ⁵ / ₈ "	15"	IPSOE4815()	1,691.	1,845.	2,409.	2,460.	2,829.	3,434.
	54"	15 ⁵ / ₈ "	15"	IPSOE5415()	1,845.	1,948.	2,563.	2,665.	3,075.	3,690.
	60"	15 ⁵ / ₈ "	15"	IPSOE6015()	2,050.	2,255.	2,870.	3,024.	3,485.	4,151.
	66"	15 ⁵ / ₈ "	15"	IPSOE6615()	2,101.	2,306.	2,973.	3,075.	3,536.	4,254.
	72"	15 ⁵ / ₈ "	15"	IPSOE7215()	2,153.	2,358.	3,075.	3,126.	3,588.	4,305.

Ordering Information

- Interpole Open Shelf**
 1. Pattern Number
 2. Exterior Case Finish
 3. Interior Case Finish (Laminate only)
 4. Bracket Paint Finish

Order Code

Interpole Open Shelf

Example: **IPSOS6015L, 118, 118, 118T**

IPS	Interpole Storage
OS	Open Shelf
60	Width
15	Depth
L	Laminate
118	Bright White Laminate
118	Bright White Laminate
118T	Bright White Paint

Included With

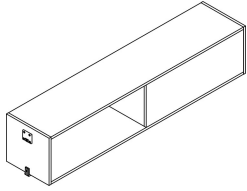
Interpole Open Shelf
 Mounting Brackets
 Hardware

Options

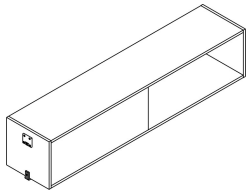
Interpole Open Shelf
Case Finish Options:
 (L) = All the same or different laminates for the exterior and interior case
 (V) = All the same veneer for the exterior and interior case

Interpole Horizontal Wood Storage For Mounting Between Two Poles Shared Open Cabinets

description	w	d	h	pattern no.	All Same	Different	Different	V1	V2	V3
					Laminate	Laminate	Laminate			
					(Core Lam)	(Core Lam.)	(Accent Lam.)	(V)	(V)	(V)
Interpole Shared Open Front with Enclosed Back, Open on Left	36"	15 5/8"	15"	IPSSOEL3615()	\$1,589.	\$1,743.	\$2,204.	\$2,460.	\$2,768.	\$3,382.
	42"	15 5/8"	15"	IPSSOEL4215()	1,640.	1,794.	2,306.	2,511.	2,819.	3,536.
	48"	15 5/8"	15"	IPSSOEL4815()	1,691.	1,845.	2,409.	2,563.	2,921.	3,690.
	54"	15 5/8"	15"	IPSSOEL5415()	1,845.	1,999.	2,563.	2,716.	3,075.	3,946.
	60"	15 5/8"	15"	IPSSOEL6015()	2,050.	2,306.	2,870.	3,075.	3,588.	4,356.
	66"	15 5/8"	15"	IPSSOEL6615()	2,101.	2,460.	2,973.	3,178.	3,639.	4,510.
	72"	15 5/8"	15"	IPSSOEL7215()	2,153.	2,511.	3,075.	3,229.	3,690.	4,613.



Interpole Shared Open Front with Enclosed Back, Open on Right	36"	15 5/8"	15"	IPSSOER3615()	1,589.	1,743.	2,204.	2,460.	2,768.	3,383.
	42"	15 5/8"	15"	IPSSOER4215()	1,640.	1,794.	2,306.	2,511.	2,819.	3,536.
	48"	15 5/8"	15"	IPSSOER4815()	1,691.	1,845.	2,409.	2,563.	2,921.	3,690.
	54"	15 5/8"	15"	IPSSOER5415()	1,845.	1,999.	2,563.	2,716.	3,075.	3,946.
	60"	15 5/8"	15"	IPSSOER6015()	2,050.	2,306.	2,870.	3,075.	3,588.	4,356.
	66"	15 5/8"	15"	IPSSOER6615()	2,101.	2,460.	2,973.	3,178.	3,639.	4,510.
	66"	15 5/8"	15"	IPSSOER7215()	2,153.	2,511.	3,075.	3,229.	3,690.	4,613.



Ordering Information

Interpole Shared Open Shelf

1. Pattern Number
2. Exterior Case Finish
3. Interior Case Finish (Laminate only)
4. Bracket Paint Finish

Order Code

Interpole Open Shelf

Example: **IPSSOEL6015L, 118, 118, 118T**

IPS	Interpole Storage
SOEL	Shared Open Shelf, Open Left
60	Width
15	Depth
L	Laminate
118	Bright White Laminate
118	Bright White Laminate
118T	Bright White Paint

Included With

Interpole Shared Open Shelf

Mounting Brackets
Hardware

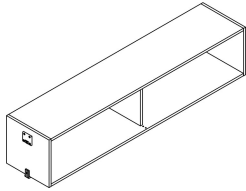
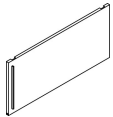
Options

Interpole Shared Open Shelf

Case Finish Options:

(L) = All the same or different laminates for the exterior and interior case
(V) = All the same veneer for the exterior and interior case

Interpole Horizontal Wood Storage For Mounting Between Two Poles Sliding Door Cabinets

description	w	d	h	pattern no.	All Same	Different	Different	V1	V2	V3
					Laminate	Laminate	Laminate			
					(Core Lam)	(Core Lam.)	(Accent Lam.)	(V)	(V)	(V)
 Interpole Sliding Door Cabinet Case	36"	15 3/8"	15"	IPSSD3615()	\$1,825.	\$1,993.	\$2,576.	\$2,576.	\$2,939.	\$3,635.
	42"	15 3/8"	15"	IPSSD4215()	1,881.	2,053.	2,672.	2,672.	3,050.	3,774.
	48"	15 3/8"	15"	IPSSD4815()	1,962.	2,140.	2,794.	2,794.	3,187.	3,940.
	54"	15 3/8"	15"	IPSSD5415()	2,043.	2,226.	2,889.	2,889.	3,257.	4,100.
	60"	15 3/8"	15"	IPSSD6015()	2,124.	2,358.	3,126.	3,126.	3,588.	4,408.
	66"	15 3/8"	15"	IPSSD6615()	2,181.	2,511.	3,229.	3,229.	3,690.	4,561.
	72"	15 3/8"	15"	IPSSD7215()	2,239.	2,563.	3,331.	3,331.	3,741.	4,664.
 Sliding Door Set for Interpole Sliding Door Cabinet Case	36"	3/4"	15"	IPSSDK36()	563.	n/a	n/a	883.	1,015.	1,269.
	42"	3/4"	15"	IPSSDK42()	613.	n/a	n/a	910.	1,048.	1,309.
	48"	3/4"	15"	IPSSDK48()	663.	n/a	n/a	929.	1,067.	1,427.
	54"	3/4"	15"	IPSSDK54()	699.	n/a	n/a	979.	1,128.	1,450.
	60"	3/4"	15"	IPSSDK60()	717.	n/a	n/a	1,003.	1,158.	1,509.
	66"	3/4"	15"	IPSSDK66()	755.	n/a	n/a	1,062.	1,220.	1,590.
	72"	3/4"	15"	IPSSDK72()	775.	n/a	n/a	1,091.	1,251.	1,630.

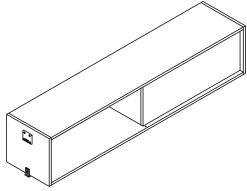
Ordering Information	Order Code	Included With	Options
Interpole Shared Open Shelf 1. Pattern Number 2. Exterior Case Finish 3. Interior Case Finish (Laminate only) 4. Bracket Paint Finish Sliding Doors 1. Pattern Number 2. Door Finish 3. Pull Finish	Interpole Shared Open Shelf <i>Example:</i> IPSSOEL6015L, 118, 118T IPS Interpole Storage SOEL Shared Open Shelf, Open Left 60 Width 15 Depth L Laminate 118 Bright White Laminate 118 Bright White Laminate 118T Bright White Paint Sliding Doors <i>Example:</i> IPSSDK60L 118, 118T IPS Interpole Storage SDK Sliding Door Kit 60 Width L Laminate 118 Bright White Laminate 118T Bright White Paint	Interpole Shared Open Shelf Mounting Brackets Hardware Sliding Doors Hardware	Interpole Shared Open Shelf Case Finish Options: (L) = All the same or different laminates for the exterior and interior case (V) = All the same veneer for the exterior and interior case Sliding Doors Door Finish Option: (L) = Laminate (V) = Veneer Door pulls are available in Knoll core paints, Dark Red (130) and Slate Blue (131) paint finishes.

Interpole Horizontal Wood Storage

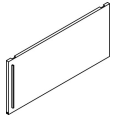
For Mounting Between Two Poles

Shared Sliding Door Cabinets with Opening on Left

description	w	d	h	pattern no.	All Same	Different	Different	V1	V2	V3
					Laminate (Core Lam.) (L)	Case/ Interior (Core Lam.) (L)	Laminate Case/Interior (Accent Lam.) (L)			
Interpole Shared Sliding Door Cabinet Case, Opening on Left	36"	15 5/8"	15"	IPSSSDL3615()	\$1,760.	\$1,920.	\$2,792.	\$2,792.	\$3,188.	\$4,099.
	42"	15 5/8"	15"	IPSSSDL4215()	1,818.	1,983.	2,851.	2,851.	3,254.	4,184.
	48"	15 5/8"	15"	IPSSSDL4815()	1,900.	2,009.	2,934.	2,934.	3,346.	4,297.
	54"	15 5/8"	15"	IPSSSDL5415()	2,156.	2,320.	3,131.	3,131.	3,420.	4,579.
	60"	15 5/8"	15"	IPSSSDL6015()	2,411.	2,629.	3,328.	3,328.	3,794.	4,861.
	66"	15 5/8"	15"	IPSSSDL6615()	2,468.	2,692.	3,443.	3,443.	3,926.	5,033.
	72"	15 5/8"	15"	IPSSSDL7215()	2,526.	2,754.	3,558.	3,558.	4,057.	5,204.



description	w	d	h	pattern no.	All Same	Different	Different	V1	V2	V3
					Laminate (Core Lam.) (L)	Case/ Interior (Core Lam.) (L)	Laminate Case/Interior (Accent Lam.) (L)	(V)	(V)	(V)
Sliding Doors Kit for Interpole Mounted Shared Sliding Door Cabinet Case, Opening on Left	36"	3/4"	15"	IPSSDKL36()	631.	n/a	n/a	889.	1,023.	1,330.
	42"	3/4"	15"	IPSSDKL42()	660.	n/a	n/a	917.	1,056.	1,372.
	48"	3/4"	15"	IPSSDKL48()	689.	n/a	n/a	947.	1,089.	1,416.
	54"	3/4"	15"	IPSSDKL54()	699.	n/a	n/a	979.	1,128.	1,450.
	60"	3/4"	15"	IPSSDKL60()	718.	n/a	n/a	1,003.	1,158.	1,509.
	66"	3/4"	15"	IPSSDKL66()	755.	n/a	n/a	1,062.	1,220.	1,590.
	72"	3/4"	15"	IPSSDKL72()	775.	n/a	n/a	1,091.	1,251.	1,630.



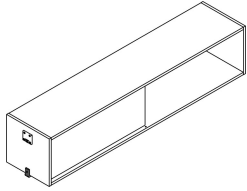
Ordering Information	Order Code	Included With	Options
Interpole Shared Open Shelf 1. Pattern Number 2. Exterior Case Finish 3. Interior Case Finish (Laminate only) 4. Bracket Paint Finish Sliding Doors 1. Pattern Number 2. Door Finish 3. Pull Finish	Interpole Shared Open Shelf <i>Example:</i> IPSSOEL6015L, 118, 118T IPS Interpole Storage SOEL Shared Open Shelf, Open Left 60 Width 15 Depth L Laminate 118 Bright White Laminate 118 Bright White Laminate 118T Bright White Paint Sliding Doors <i>Example:</i> IPSSDK60L 118, 118T IPS Interpole Storage SDK Sliding Door Kit 60 Width L Laminate 118 Bright White Laminate 118T Bright White Paint	Interpole Shared Open Shelf Mounting Brackets Hardware Sliding Doors Hardware	Interpole Shared Open Shelf Case Finish Options: (L) = All the same or different laminates for the exterior and interior case (V) = All the same veneer for the exterior and interior case Sliding Doors Door Finish Option: (L) = Laminate (V) = Veneer Door pulls are available in Knoll core paints, Dark Red (130) and Slate Blue (131) paint finishes.

Interpole Horizontal Wood Storage

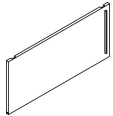
For Mounting Between Two Poles

Shared Sliding Door Cabinets with Opening on Right

description	w	d	h	pattern no.	All Same	Different	Different	V1	V2	V3
					Laminate (Core Lam.) (L)	Laminate Case/ Interior (Core Lam.) (L)	Laminate Case/Interior (Accent Lam.) (L)			
Interpole Shared Sliding Door Cabinet Case, Opening on Right	36"	15 5/8"	15"	IPSSDR3615()	\$1,760.	\$1,920.	\$2,792.	\$2,792.	\$3,188.	\$4,099.
	42"	15 5/8"	15"	IPSSDR4215()	1,818.	1,983.	2,851.	2,851.	3,254.	4,184.
	48"	15 5/8"	15"	IPSSDR4815()	1,900.	2,009.	2,934.	2,934.	3,346.	4,297.
	54"	15 5/8"	15"	IPSSDR5415()	2,156.	2,320.	3,131.	3,131.	3,420.	4,579.
	60"	15 5/8"	15"	IPSSDR6015()	2,411.	2,629.	3,328.	3,328.	3,794.	4,861.
	66"	15 5/8"	15"	IPSSDR6615()	2,468.	2,692.	3,443.	3,443.	3,926.	5,033.
	72"	15 5/8"	15"	IPSSDR7215()	2,526.	2,754.	3,558.	3,558.	4,057.	5,204.



Sliding Doors Kit for Interpole Mounted Shared Sliding Door Cabinet Case, Opening on Right	36"	15"	15"	IPSSDKR36()	631.	n/a	n/a	889.	1,023.	1,330.
	42"	15"	15"	IPSSDKR42()	660.	n/a	n/a	917.	1,056.	1,372.
	48"	15"	15"	IPSSDKR48()	689.	n/a	n/a	947.	1,089.	1,416.
	54"	15"	15"	IPSSDKR54()	699.	n/a	n/a	979.	1,128.	1,450.
	60"	15"	15"	IPSSDKR60()	718.	n/a	n/a	1,003.	1,158.	1,509.
	66"	15"	15"	IPSSDKR66()	755.	n/a	n/a	1,062.	1,220.	1,590.
	72"	15"	15"	IPSSDKR72()	775.	n/a	n/a	1,091.	1,251.	1,630.



Ordering Information	Order Code	Included With	Options
Interpole Shared Open Shelf 1. Pattern Number 2. Exterior Case Finish 3. Interior Case Finish (Laminate only) 4. Bracket Paint Finish Sliding Doors 1. Pattern Number 2. Door Finish 3. Pull Finish	Interpole Shared Open Shelf <i>Example:</i> IPSSOEL6015L, 118, 118, 118T IPS Interpole Storage SOEL Shared Open Shelf, Open Left 60 Width 15 Depth L Laminate 118 Bright White Laminate 118 Bright White Laminate 118T Bright White Paint Sliding Doors <i>Example:</i> IPSSDK60L 118, 118T IPS Interpole Storage SDK Sliding Door Kit 60 Width L Laminate 118 Bright White Laminate 118T Bright White Paint	Interpole Shared Open Shelf Mounting Brackets Hardware Sliding Doors Hardware	Interpole Shared Open Shelf Case Finish Options: (L) = All the same or different laminates for the exterior and interior case (V) = All the same veneer for the exterior and interior case Sliding Doors Door Finish Option: (L) = Laminate (V) = Veneer Door pulls are available in Knoll core paints, Dark Red (130) and Slate Blue (131) paint finishes.

Interpole Horizontal Wood Storage

Fabric Inserts

Planning Guidelines and Specifications

Fabric Inserts for Interpole Cabinets

Fabric back insert is tackable fabric panel, nominal 1/2" thick, that fits in the recess behind the back of Interpole horizontal cabinets. Fabric back inserts are 1/2" less wide and 1/2" less high than cabinet to fit between sides, top and bottom.

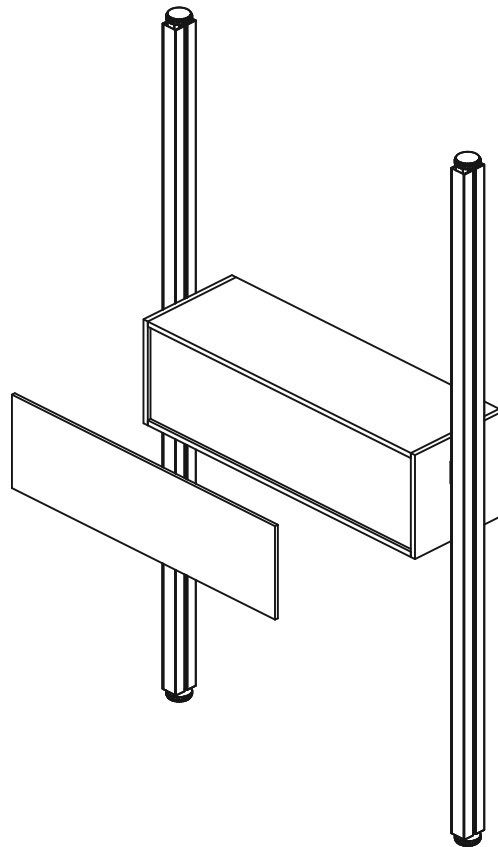
Fabric back insert is not applicable on cabinets without a recessed back.

Construction

Fabric back insert is 1/2" tackable tile with fabric applied on exterior surface and edges. Fabric inserts are installed using double-sided adhesive tape, which is included. Two fabric inserts are included for cabinets 60" and wider applications.

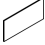
Specification Options

Fabric inserts may be specified in any Antenna approved textile. For Customers Own Material (COM) applications, see yardage chart in front of Price List.



Fabric Inserts are Installed in the Back of Interpole Horizontal Cabinets

Interpole Horizontal Wood Storage
Fabric Inserts
For Interpole Mounted Cabinets

description	w	d	h	pattern no.	grade				
					10	20	30	40	45
Fabric Inserts for Interpole Horizontal Cabinets	34 1/2"	1/2"	13 1/2"	IPSI1536F	\$282.	\$314.	\$350.	\$354.	\$378.
	40 1/2"	1/2"	13 1/2"	IPSI1542F	292.	318.	354.	359.	383.
	46 1/2"	1/2"	13 1/2"	IPSI1548F	292.	318.	354.	359.	383.
	52 1/2"	1/2"	13 1/2"	IPSI1554F	297.	324.	362.	364.	390.
	58 1/2"	1/2"	13 1/2"	IPSI1560F	507.	556.	561.	614.	643.
	64 1/2"	1/2"	13 1/2"	IPSI1566F	513.	558.	617.	626.	649.
	70 1/2"	1/2"	13 1/2"	IPSI1572F	513.	558.	617.	626.	649.

Ordering Information

Fabric Inserts

1. Pattern Number
2. Fabric

Order Code

Fabric Inserts

Example: **IPSI1560F, W351**

IPSI Fabric Insert

15 High

60 Wide

F Tackable Fabric

W351 Foundation

Included With

Fabric Inserts

Options

Fabric Inserts

Interpole Vertical Open Cabinets

Interpole vertical open cabinets mount at any level using the slot on one side of a pole, providing compact open shelf storage for open plan, private offices or activity spaces. Interpole vertical cabinets are 64.5"H, 15"W and 15-5/8"D.

Interpole vertical cabinets include the mounting kit and hardware to secure case on one side of a pole.

Vertical open cabinets include four adjustable shelves and a full back, recessed 1/2" for optional fabric insert, specified separately.

Vertical cabinets can be specified with mounts on either left or right side gables to mount to the side of a pole.

Vertical cabinets mount at either end of a sequence of two or more poles connected by screens or horizontal storage components.

Construction

Case is composed of 3/4" thick wood panels, with discreet glue-and-dowel connections.

Case mounts to poles with three 15/16" thick cast aluminum dove-tail spacers and inserts, flex nuts and an anti-dislodgement bracket with set screw.

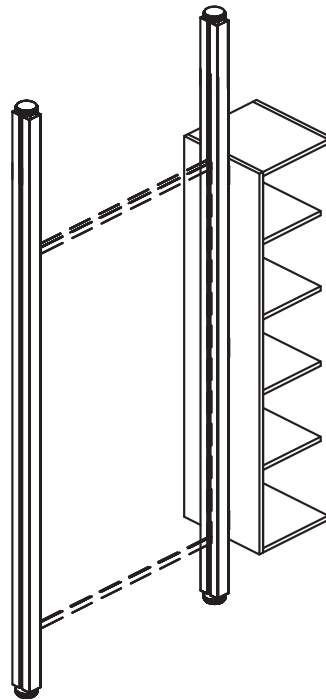
Specification Options

Specify laminate (L), "mixed" two-tone laminate (L) or veneer (V) case.

Case finish exterior is available in any Knoll core laminate or veneer. When the case exterior is laminate, case interior, shelves and inset back are available in any Knoll Core or Accent laminate. When an Accent laminate is specified, the edgeband will match the exterior core laminate finish.

Mounting brackets are available in any Knoll Core paint finish, Dark Red or Slate Blue.

Specify optional fabric inserts separately.



Interpole Vertical Open Cabinet with Mounts on Left side

Interpole Vertical Enclosed Cabinets

Interpole vertical enclosed cabinets mount at any level using the slot on one side of a pole, providing compact shelf or personal storage for open plan, private offices or activity spaces. Vertical enclosed cabinets are available in two configurations: vertical cabinet with four shelves, and vertical wardrobe cabinet. Interpole vertical enclosed cabinets are 64.5"H, 15"W and 16 1/2"D.

Interpole vertical cabinets include the mounting kit and hardware to secure case on one side of a pole.

All vertical enclosed cabinets have one full-height hinge door and a full back, recessed 1/2" for optional fabric insert, specified separately. Vertical cabinets can be specified with door hinges on either left or right side of cabinet as well as mounts on either left or right side gables to mount to the side of a pole.

Vertical enclosed cabinets with hinged door include four adjustable shelves.

Vertical wardrobe cabinets include a coat hook and adjustable lower shelf behind hinge door.

Vertical cabinets mount at either end of a sequence of two or more poles connected by screens or horizontal storage components.

Construction

Case is composed of 3/4" thick wood panels, with discreet glue-and-dowel connections.

Case mounts to poles with three 15/16" thick cast aluminum dove-tail spacers and inserts, flex nuts and an anti-dislodgement bracket with set screw.

Hinged doors open 135 degrees for easy access.

Specification Options

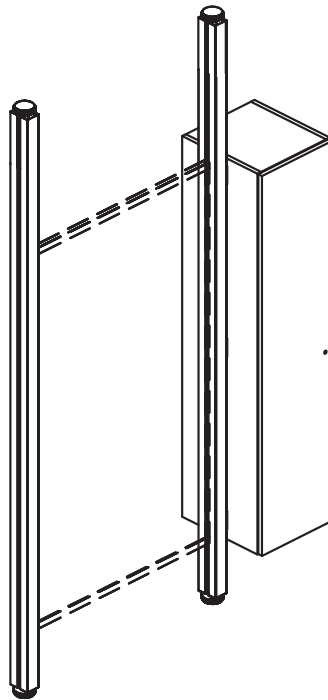
Specify laminate (L), laminate case with veneer front (M) or veneer (V) case. Cabinets are available either locking (L) or non-locking (N).

Case finish exterior is available in any Knoll core laminate or veneer. When the case exterior is laminate, specify door front finish in any Knoll Core laminate (L) or veneer (V).

Specify pull type: Edge (E) Insert (I) or Loop (O). Edge pulls are available in any Knoll Core paint finish, Dark Red, Slate Blue or in Chrome (PD). Loop pulls are available in any Knoll Core paint finish, Dark Red or Slate Blue. Insert pulls are available in Chrome (PD).

Mounting brackets are available in any Knoll Core paint finish, Dark Red or Slate Blue.

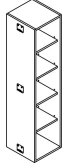
Specify optional fabric inserts separately.



Interpole Vertical Cabinet with Hinges and Mounts on Left Side

Interpole Vertical Wood Storage For Mounting on Side Slot of Pole Open Cabinets

description	w	d	h	pattern no.	All Same Laminate (Core Lam.) (L)	Different Laminate Case/Interior (Core Lam.) (L)	Different Laminate Case/Interior (Accent Lam.) (L)	V1 (V)	V2 (V)	V3 (V)
Interpole Vertical Cabinet, Open with Four Shelves	15"	15 ⁵ / ₈ "	64 ¹ / ₂ "	IPSVOS1564L()	\$2,255.	\$2,563.	\$3,383.	\$4,100.	\$4,715.	\$6,150.
	15"	15 ⁵ / ₈ "	64 ¹ / ₂ "	IPSVOS1564R()	2,255.	2,563.	3,383.	4,100.	4,715.	6,150.

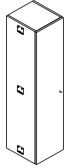


(left mount shown)

Ordering Information	Order Code	Included With	Options
Interpole Vertical Cabinet, Open with Shelves 1. Pattern Number 2. Exterior Case Finish 3. Interior Case Finish (Laminate only) 4. Bracket Paint Finish	Interpole Vertical Cabinet, Open with Shelves <i>Example:</i> IPSVOS1564LL, 118, 118T <hr/> IPS Interpole Storage <hr/> VOS Vertical Cabinet Open with Shelves <hr/> 15 Depth <hr/> 64 Height <hr/> L Mounts on Left <hr/> L Laminate <hr/> 118 Bright White Laminate <hr/> 118 Bright White Laminate <hr/> 118T Bright White Paint	Interpole Vertical Cabinet, Open with Shelves Mounting Brackets Hardware (4) Adjustable Shelves	Interpole Vertical Cabinet, Open with Shelves Case Finish Options: (L) = All the same or different laminates for the exterior and interior case (V) = All the same veneer for the exterior and interior case

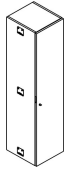
Interpole Vertical Wood Storage For Mounting on Side Slot of Pole Cabinets with Doors

description	w	d	h	pattern no.	All Same	Laminate	Laminate	Laminate	All V1	All V2	All V3
					Laminate (Core Lam.) (L)	Case w/ V1 Fronts (M)	Case w/ V2 Fronts (M)	Case w/ V3 Fronts (M)			
Interpole Vertical Cabinet, Door with Four Shelves, Left Hinge	15"	16 1/2"	64 1/2"	IPSVDL1564L()L	\$2,870.	\$3,178.	\$3,383.	\$3,588.	\$5,023.	\$5,740.	\$7,585.
	15"	16 1/2"	64 1/2"	IPSVDL1564R()L	2,870.	3,178.	3,383.	3,588.	5,023.	5,740.	7,585.



(hinged left / mount left shown)

Interpole Vertical Cabinet, Door with Four Shelves, Right Hinge	15"	16 1/2"	64 1/2"	IPSVDR1564L()L	2,870.	3,178.	3,383.	3,588.	5,023.	5,740.	7,585.
	15"	16 1/2"	64 1/2"	IPSVDR1564R()L	2,870.	3,178.	3,383.	3,588.	5,023.	5,740.	7,585.

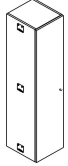


(hinged right / mount left shown)

Ordering Information	Order Code	Included With	Options
Interpole Vertical Cabinet with Door and Shelves	Interpole Vertical Cabinet with Doors and Shelves	Interpole Vertical Cabinet, Open with Shelves	Interpole Vertical Cabinet with Door and Shelves
1. Pattern Number	<i>Example:</i> IPSVDL1564LLN, 118, 118, E, 118T, 118T	Mounting Brackets	Case Finish Options:
2. Case Finish	IPS Interpole Storage	Hardware	(L) = All the same or different laminates for the exterior and interior case
3. Door Finish	VDL Vertical Cabinet with Door, Hinged Left	(4) Adjustable Shelves	(M) = Laminate exterior case/shelves and veneer door front
4. Pull Type	15 Depth		(V) = All the same veneer for the exterior case/shelves and door front
5. Pull Paint Finish	64 Height		Lock Options:
6. Bracket Paint Finish	L Mounts on Left		To specify an Interpole Vertical Storage cabinet without a lock, replace the final "L" suffix in the pattern number with an "N".
	L Laminate		Door Pull Options:
	N Non-Locking		(E) = Edge Pull
	118 Bright White Laminate		(I) = Insert Pull
	118 Bright White Laminate		(O) = Loop Pull
	E Edge Pull		See planning guide page for door pull finish options
	118T Bright White Paint		
	118T Bright White Paint		

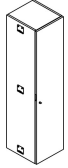
Interpole Vertical Wood Storage For Mounting on Side Slot of Pole Wardrobe Cabinets

description	w	d	h	pattern no.	All Same Laminate (Core Lam.) (L)	Laminate Case w/ V1 Fronts (M)	Laminate Case w/ V2 Fronts (M)	Laminate Case w/ V3 Fronts (M)	All V1 (V)	All V2 (V)	All V3 (V)
Interpole Vertical Cabinet, Wardrobe, Left Hinge	15"	16 1/2"	64 1/2"	IPSVWL1564L(JL)	\$2,563.	\$2,870.	\$3,075.	\$3,280.	\$4,715.	\$5,433.	\$7,278.
	15"	16 1/2"	64 1/2"	IPSVWL1564R(JL)	2,563.	2,870.	3,075.	3,280.	4,715.	5,433.	7,278.



(hinged left / mount left shown)

Interpole Vertical Cabinet, Wardrobe, Right Hinge	15"	16 1/2"	64 1/2"	IPSVWR1564L(JL)	2,563.	2,870.	3,075.	3,280.	4,715.	5,433.	7,278.
	15"	16 1/2"	64 1/2"	IPSVWR1564R(JL)	2,563.	2,870.	3,075.	3,280.	4,715.	5,433.	7,278.



(hinged right / mount left shown)

Ordering Information	Order Code	Included With	Options
Interpole Vertical Cabinet Wardrobe 1. Pattern Number 2. Case Finish 3. Door Finish 4. Pull Type 5. Pull Paint Finish 6. Bracket Paint Finish	Interpole Vertical Cabinet Wardrobe <i>Example:</i> IPSVWL1564LLN, 118, 118, E, 118T, 118T <hr/> IPS Interpole Storage <hr/> VWL Vertical Wardrobe, Hinged on Left <hr/> 15 Depth <hr/> 64 Height <hr/> L Mounts on Left <hr/> L Laminate <hr/> N Non-Locking <hr/> 118 Bright White Laminate <hr/> 118 Bright White Laminate <hr/> E Edge Pull <hr/> 118T Bright White Paint <hr/> 118T Bright White Paint	Interpole Vertical Cabinet, Wardrobe Mounting Brackets Hardware Coat Hook Low Shelf	Interpole Vertical Cabinet with Door and Shelves Case Finish Options: (L) = All the same or different laminates for the exterior and interior case (M) = Laminate exterior case/shelves and veneer door front (V) = All the same veneer for the exterior case/shelves and door front Lock Options: To specify an Interpole Vertical Storage cabinet without a lock, replace the final "L" suffix in the pattern number with an "N". Door Pull Options: (E) = Edge Pull (I) = Insert Pull (O) = Loop Pull

See planning guide page for door pull finish options

Interpole Vertical Wood Storage

Fabric Inserts

Planning Guidelines and Specifications

Fabric Insert for Interpole Cabinets

Fabric back insert is tackable fabric panel, nominal 1/2" thick, that fits in the recess behind the back of Interpole vertical cabinets. Fabric back inserts are 1 1/2" less wide and 1 1/2" less high than cabinet to fit between sides, top and bottom.

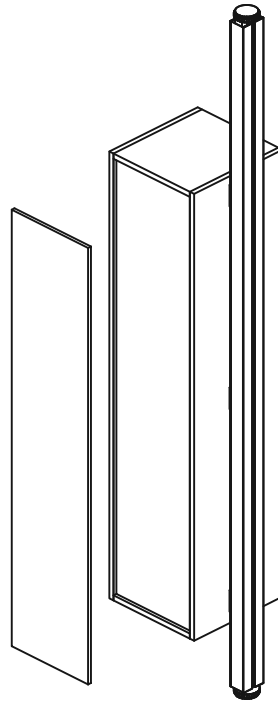
Fabric back insert is not applicable on cabinets without a recessed back.

Construction

Fabric back insert is 1/2" tackable tile with fabric applied on exterior surface and edges. Fabric inserts are installed using double-sided adhesive tape, which is included.

Specification Options

Fabric inserts may be specified in any Antenna approved textile. For Customers Own Material (COM) applications, see yardage chart in front of Price List.



Fabric Inserts are Installed in the Back of Interpole Vertical Cabinets

Interpole Vertical Wood Storage
Fabric Inserts
For Interpole Vertical Cabinets

description	w	d	h	pattern no.	grade				
					10	20	30	40	45
Fabric Inserts for Interpole Vertical Cabinets	15"	1/2"	64"	IPSI6415F	\$513.	\$558.	\$617.	\$626.	\$649.



Ordering Information

Fabric Inserts

1. Pattern Number
2. Fabric

Order Code

Fabric Inserts

Example: **IPSI6415F, W351**

IPSI	Fabric Insert
64	High
15	Wide
F	Tackable Fabric
W351	Foundation

Included With

Fabric Inserts

Options

Fabric Inserts

Antenna Simple Tables

Planning Guidelines and Specifications

Antenna Simple Tables

Antenna Simple Tables are available as complete kits, including top, stiffener and legs. Preconfigured tables include round, square, rectangular and track shapes, in standard Antenna laminate or veneer top details, with painted finish legs.

Antenna Simple Table legs include a 1 1/4" round leg with 5"x5" top plate and are available with glides or casters. Tops are drilled at all four corners to position leg column at the corner or inset for tops 24"D or deeper. Antenna Simple Tables accept standard Antenna desk screens on tables 24" and 27"D when legs are in the outboard position or 30" and 36"D tables with legs positioned either outboard or inboard.

Antenna Simple Table stiffeners are 9" less wide than the corresponding top width. Rectangular tops include factory drilled pilot holes to mount stiffeners either centered on top depth or offset 9" from the back edge. Round and Track shaped tops include pilot holes to mount the stiffener centered or offset 3" from center to avoid a centered grommet.

Table legs with glides include standard Antenna adjustable levelers with 3" continuous adjustment range. Table legs with casters include two locking and two non-locking threaded stem casters.

Construction

Antenna Simple Table tops are nominal 1 3/16" thick with a laminate or veneer surface finish. Laminate tops have a laminate top surface with an FSC-certified particle board core and a neutral tone back sheet for balanced construction. Edges can match the top or contrast in color, in 2.8mm ABS with 2.4mm radius top and bottom edges. Front and back edges overlap ends with a 2.4mm radius on outside corners.

Techwood and natural veneer tops have a veneer top surface, an FSC-certified particle board core and a neutral tone backer sheet for balanced construction. Veneer tops have matching finish 2.0mm solid veneer edges on all sides. Top and bottom edges have a 2.0mm radius. Veneer grain direction is parallel to front edge.

Laminate and veneer tops include metal inserts on the underside at each corner for leg plate attachment with machine screws.

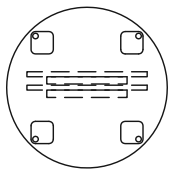
Legs are steel weldments with 1 1/4" round steel tube. Legs include 5" levelers with 5/8" stems and 3" continuous adjustment range. Leg plate is 3/8" thick steel with chamfered edge.

Stiffeners are 12 gauge steel with laser cut cleats for wire management.

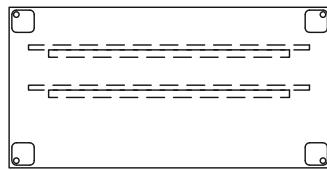
Specification Options

Table tops may be specified in any Antenna solid, pattern or woodgrain laminate, with matching or contrasting ABS edge, or in any Antenna Techwood or natural veneer with matching solid veneer or ABS edge.

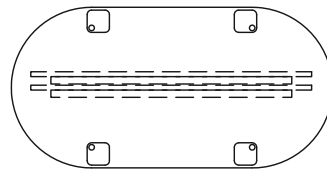
Legs may be specified in any standard Antenna painted finish. Steel stiffener is default Medium Grey. Casters are default black.



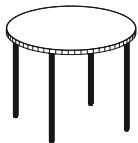
Round Simple Table Plan View



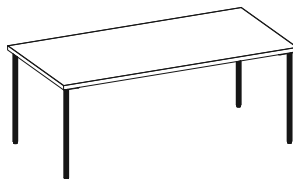
Rectangular Simple Table Plan View



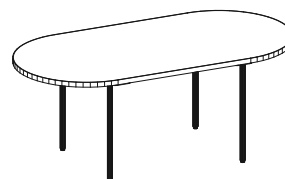
Track Shaped Simple Table Plan View



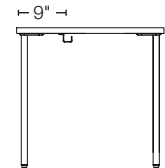
Round Simple Table, 25 5/6" or 28 1/2"H



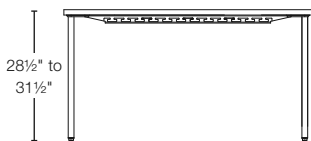
Rectangular Simple Table, 25 5/6" or 28 1/2"H



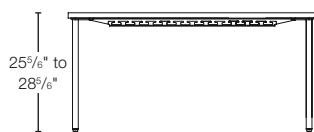
Track Shaped Simple Table, 25 5/6" or 28 1/2"H



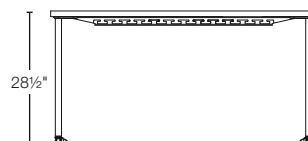
End Elevation with Stiffener in Back Position



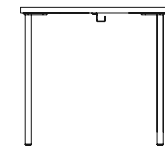
Side Elevation of Desk Height, High Range, with Glides



Side Elevation of Desk Height, Low Range, with Glides



Side Elevation of Desk Height, with Casters

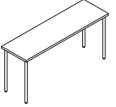


End Elevation with Stiffener in Center Position

Antenna Simple Tables

Rectangular Tables

18" Deep

description	type	w	d	h	pattern no.	Laminate (L)	V1 (V)	V2 (V)	V3 (V)
18"D Antenna Simple Tables with Rectangular Shaped Tops 	Desk height high range	36"	18"	28 1/2"	YKTS3618SDHN	\$899.	\$1,069.	\$1,112.	\$1,194.
		42"	18"	28 1/2"	YKTS4218SDHN	938.	1,100.	1,147.	1,242.
		48"	18"	28 1/2"	YKTS4818SDHN	966.	1,130.	1,182.	1,290.
		54"	18"	28 1/2"	YKTS5418SDHN	992.	1,160.	1,217.	1,338.
		60"	18"	28 1/2"	YKTS6018SDHN	1,034.	1,190.	1,251.	1,385.
		66"	18"	28 1/2"	YKTS6618SDHN	1,063.	1,236.	1,301.	1,448.
		72"	18"	28 1/2"	YKTS7218SDHN	1,091.	1,282.	1,351.	1,511.
		78"	18"	28 1/2"	YKTS7818SDHN	1,149.	1,328.	1,401.	1,574.
		84"	18"	28 1/2"	YKTS8418SDHN	1,187.	1,373.	1,452.	1,637.
		Desk height low range	36"	18"	25 5/6"	YKTS3618SDLN	899.	1,069.	1,112.
42"	18"		25 5/6"	YKTS4218SDLN	938.	1,100.	1,147.	1,242.	
48"	18"		25 5/6"	YKTS4818SDLN	966.	1,130.	1,182.	1,290.	
54"	18"		25 5/6"	YKTS5418SDLN	992.	1,160.	1,217.	1,338.	
60"	18"		25 5/6"	YKTS6018SDLN	1,034.	1,190.	1,251.	1,385.	
66"	18"		25 5/6"	YKTS6618SDLN	1,063.	1,236.	1,301.	1,448.	
72"	18"		25 5/6"	YKTS7218SDLN	1,091.	1,282.	1,351.	1,511.	
78"	18"		25 5/6"	YKTS7818SDLN	1,149.	1,328.	1,401.	1,574.	
84"	18"		25 5/6"	YKTS8418SDLN	1,187.	1,373.	1,452.	1,637.	
Desk height with casters	36"		18"	28 1/2"	YKTS3618SDCN	946.	1,119.	1,162.	1,244.
	42"	18"	28 1/2"	YKTS4218SDCN	986.	1,150.	1,197.	1,292.	
	48"	18"	28 1/2"	YKTS4818SDCN	1,013.	1,180.	1,232.	1,340.	
	54"	18"	28 1/2"	YKTS5418SDCN	1,039.	1,210.	1,267.	1,388.	
	60"	18"	28 1/2"	YKTS6018SDCN	1,081.	1,240.	1,301.	1,435.	
	66"	18"	28 1/2"	YKTS6618SDCN	1,129.	1,286.	1,351.	1,498.	
	72"	18"	28 1/2"	YKTS7218SDCN	1,138.	1,332.	1,401.	1,561.	
	78"	18"	28 1/2"	YKTS7818SDCN	1,196.	1,378.	1,451.	1,624.	
	84"	18"	28 1/2"	YKTS8418SDCN	1,234.	1,423.	1,502.	1,687.	

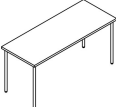
Antenna Simple Tables

Ordering Information	Order Code	Included With	Options
Antenna Simple Tables 1. Pattern Number 2. Grommet / no grommet 3. Top finish type 4. Top finish 5. Edge Finish (for laminate tops only) 6. Base finish (paint) 7. Grommet finish (paint)	Tables <hr/> <i>Example:</i> YKTS6018SDHNL, 118, 118 <hr/> YKTS Antenna Simple Table <hr/> 60 Width <hr/> 18 Depth <hr/> SDH Desk Height High Range <hr/> N No Grommet <hr/> L Laminate <hr/> 118 Bright White Laminate <hr/> 118 Bright White Edge <hr/> 118 Bright White Leg	Antenna Simple Tables Antenna Top Table Legs Stiffener Leveling Glides or Casters Attachment Hardware	Antenna Simple Table (N) No grommet Top Finish Options: (L) = Laminate (V) = Veneer Top may be specified in any Knoll core laminate or veneer. Leg Finish Options: Legs are available in smooth Knoll core paints, Dark Red (130) and Slate blue (131) paint finishes.

Antenna Simple Tables

Rectangular Tables

24" Deep

description	type	w	d	h	pattern no.	Laminate (L)	V1 (V)	V2 (V)	V3 (V)
24"D Antenna Simple Tables with Rectangular Shaped Tops 	Desk height high range	36"	24"	28 1/2"	YKTS3624SDHN	\$934.	\$1,107.	\$1,158.	\$1,266.
		42"	24"	28 1/2"	YKTS4224SDHN	981.	1,143.	1,198.	1,323.
		48"	24"	28 1/2"	YKTS4824SDHN	1,012.	1,179.	1,238.	1,380.
		54"	24"	28 1/2"	YKTS5424SDHN	1,044.	1,215.	1,278.	1,437.
		60"	24"	28 1/2"	YKTS6024SDHN	1,092.	1,249.	1,319.	1,567.
		66"	24"	28 1/2"	YKTS6624SDHN	1,127.	1,300.	1,376.	1,640.
		72"	24"	28 1/2"	YKTS7224SDHN	1,143.	1,351.	1,433.	1,713.
		78"	24"	28 1/2"	YKTS7824SDHN	1,224.	1,402.	1,490.	1,786.
		84"	24"	28 1/2"	YKTS8424SDHN	1,267.	1,453.	1,545.	1,785.
		Desk height low range	36"	24"	25 5/6"	YKTS3624SDLN	934.	1,107.	1,158.
42"	24"		25 5/6"	YKTS4224SDLN	981.	1,143.	1,198.	1,323.	
48"	24"		25 5/6"	YKTS4824SDLN	1,012.	1,179.	1,238.	1,380.	
54"	24"		25 5/6"	YKTS5424SDLN	1,044.	1,215.	1,278.	1,437.	
60"	24"		25 5/6"	YKTS6024SDLN	1,092.	1,249.	1,319.	1,567.	
66"	24"		25 5/6"	YKTS6624SDLN	1,127.	1,300.	1,376.	1,640.	
72"	24"		25 5/6"	YKTS7224SDLN	1,143.	1,351.	1,433.	1,713.	
78"	24"		25 5/6"	YKTS7824SDLN	1,224.	1,402.	1,490.	1,786.	
84"	24"		25 5/6"	YKTS8424SDLN	1,267.	1,453.	1,545.	1,785.	
Desk height with casters	36"		24"	28 1/2"	YKTS3624SDCN	983.	1,157.	1,208.	1,316.
	42"	24"	28 1/2"	YKTS4224SDCN	1,028.	1,193.	1,248.	1,373.	
	48"	24"	28 1/2"	YKTS4824SDCN	1,060.	1,229.	1,288.	1,430.	
	54"	24"	28 1/2"	YKTS5424SDCN	1,091.	1,265.	1,328.	1,487.	
	60"	24"	28 1/2"	YKTS6024SDCN	1,140.	1,299.	1,369.	1,617.	
	66"	24"	28 1/2"	YKTS6624SDCN	1,174.	1,350.	1,426.	1,690.	
	72"	24"	28 1/2"	YKTS7224SDCN	1,190.	1,401.	1,483.	1,763.	
	78"	24"	28 1/2"	YKTS7824SDCN	1,271.	1,452.	1,540.	1,836.	
	84"	24"	28 1/2"	YKTS8424SDCN	1,314.	1,503.	1,595.	1,835.	

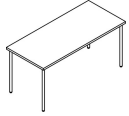
Ordering Information	Order Code	Included With	Options
Antenna Simple Tables 1. Pattern Number 2. Grommet / no grommet 3. Top finish type 4. Top finish 5. Edge Finish (for laminate tops only) 6. Base finish (paint) 7. Grommet finish (paint)	Tables <hr/> <i>Example:</i> YKTS6024SDHNL, 118, 118 <hr/> YKTS Antenna Simple Table <hr/> 60 Width <hr/> 24 Depth <hr/> SDH Desk Height High Range <hr/> N No Grommet <hr/> L Laminate <hr/> 118 Bright White Laminate <hr/> 118 Bright White Edge <hr/> 118 Bright White Leg	Antenna Simple Tables Antenna Top Table Legs Stiffener Leveling Glides or Casters Attachment Hardware	Antenna Simple Table (N) No grommet Top Finish Options: (L) = Laminate (V) = Veneer Top may be specified in any Knoll core laminate or veneer. Leg Finish Options: Legs are available in smooth Knoll core paints, Dark Red (130) and Slate blue (131) paint finishes.

Antenna Simple Tables

Rectangular Tables

27" Deep

description	type	w	d	h	pattern no.	Laminate (L)	V1 (V)	V2 (V)	V3 (V)
27"D Antenna Simple Tables with Rectangular Shaped Tops	Desk height high range	36"	27"	28 1/2"	YKTS3627SDHN	\$952.	\$1,119.	\$1,173.	\$1,294.
		42"	27"	28 1/2"	YKTS4227SDHN	1,001.	1,161.	1,221.	1,360.
		48"	27"	28 1/2"	YKTS4827SDHN	1,036.	1,203.	1,269.	1,426.
		54"	27"	28 1/2"	YKTS5427SDHN	1,070.	1,245.	1,317.	1,492.
		60"	27"	28 1/2"	YKTS6027SDHN	1,121.	1,286.	1,364.	1,558.
		66"	27"	28 1/2"	YKTS6627SDHN	1,130.	1,344.	1,417.	1,629.
		72"	27"	28 1/2"	YKTS7227SDHN	1,145.	1,382.	1,470.	1,700.
		78"	27"	28 1/2"	YKTS7827SDHN	1,260.	1,430.	1,523.	1,771.
		84"	27"	28 1/2"	YKTS8427SDHN	1,307.	1,476.	1,574.	1,842.
			Desk height low range	36"	27"	25 5/6"	YKTS3627SDLN	952.	1,119.
42"	27"			25 5/6"	YKTS4227SDLN	1,001.	1,161.	1,221.	1,360.
48"	27"			25 5/6"	YKTS4827SDLN	1,036.	1,203.	1,269.	1,426.
54"	27"			25 5/6"	YKTS5427SDLN	1,070.	1,245.	1,317.	1,492.
60"	27"			25 5/6"	YKTS6027SDLN	1,121.	1,286.	1,364.	1,558.
66"	27"			25 5/6"	YKTS6627SDLN	1,130.	1,344.	1,417.	1,629.
72"	27"			25 5/6"	YKTS7227SDLN	1,145.	1,382.	1,470.	1,700.
78"	27"			25 5/6"	YKTS7827SDLN	1,260.	1,430.	1,523.	1,771.
84"	27"			25 5/6"	YKTS8427SDLN	1,307.	1,476.	1,574.	1,842.
	Desk height with casters			36"	27"	28 1/2"	YKTS3627SDCN	1,000.	1,169.
		42"	27"	28 1/2"	YKTS4227SDCN	1,049.	1,211.	1,271.	1,410.
		48"	27"	28 1/2"	YKTS4827SDCN	1,083.	1,253.	1,319.	1,476.
		54"	27"	28 1/2"	YKTS5427SDCN	1,118.	1,295.	1,367.	1,542.
		60"	27"	28 1/2"	YKTS6027SDCN	1,168.	1,336.	1,414.	1,608.
		66"	27"	28 1/2"	YKTS6627SDCN	1,182.	1,394.	1,467.	1,679.
		72"	27"	28 1/2"	YKTS7227SDCN	1,210.	1,432.	1,520.	1,750.
		78"	27"	28 1/2"	YKTS7827SDCN	1,307.	1,480.	1,573.	1,821.
		84"	27"	28 1/2"	YKTS8427SDCN	1,355.	1,526.	1,624.	1,892.



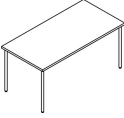
Antenna Simple Tables

Ordering Information	Order Code	Included With	Options
Antenna Simple Tables 1. Pattern Number 2. Grommet / no grommet 3. Top finish type 4. Top finish 5. Edge Finish (for laminate tops only) 6. Base finish (paint) 7. Grommet finish (paint)	Tables <hr/> <i>Example:</i> YKTS6027SDHNL, 118, 118 <hr/> YKTS Antenna Simple Table <hr/> 60 Width <hr/> 27 Depth <hr/> SDH Desk Height High Range <hr/> N No Grommet <hr/> L Laminate <hr/> 118 Bright White Laminate <hr/> 118 Bright White Edge <hr/> 118 Bright White Leg	Antenna Simple Tables Antenna Top Table Legs Stiffener Leveling Glides or Casters Attachment Hardware	Antenna Simple Table (N) No grommet Top Finish Options: (L) = Laminate (V) = Veneer Top may be specified in any Knoll core laminate or veneer. Leg Finish Options: Legs are available in smooth Knoll core paints, Dark Red (130) and Slate blue (131) paint finishes.

Antenna Simple Tables

Rectangular Tables

30" Deep

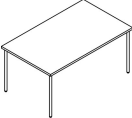
description	type	w	d	h	pattern no.	Laminate (L)	V1 (V)	V2 (V)	V3 (V)
30"D Antenna Simple Tables with Rectangular Shaped Tops 	Desk height high range	36"	30"	28 1/2"	YKTS3630SDHN	\$971.	\$1,132.	\$1,189.	\$1,321.
		42"	30"	28 1/2"	YKTS4230SDHN	1,023.	1,175.	1,239.	1,391.
		48"	30"	28 1/2"	YKTS4830SDHN	1,060.	1,218.	1,289.	1,461.
		54"	30"	28 1/2"	YKTS5430SDHN	1,096.	1,261.	1,339.	1,531.
		60"	30"	28 1/2"	YKTS6030SDHN	1,148.	1,304.	1,386.	1,600.
		66"	30"	28 1/2"	YKTS6630SDHN	1,191.	1,356.	1,437.	1,660.
		72"	30"	28 1/2"	YKTS7230SDHN	1,228.	1,408.	1,481.	1,756.
		78"	30"	28 1/2"	YKTS7830SDHN	1,297.	1,460.	1,564.	1,834.
		84"	30"	28 1/2"	YKTS8430SDHN	1,348.	1,510.	1,615.	1,910.
		Desk height low range	36"	30"	25 5/6"	YKTS3630SDLN	971.	1,132.	1,189.
42"	30"		25 5/6"	YKTS4230SDLN	1,023.	1,175.	1,239.	1,391.	
48"	30"		25 5/6"	YKTS4830SDLN	1,060.	1,218.	1,289.	1,461.	
54"	30"		25 5/6"	YKTS5430SDLN	1,096.	1,261.	1,339.	1,531.	
60"	30"		25 5/6"	YKTS6030SDLN	1,148.	1,304.	1,386.	1,600.	
66"	30"		25 5/6"	YKTS6630SDLN	1,191.	1,356.	1,437.	1,660.	
72"	30"		25 5/6"	YKTS7230SDLN	1,228.	1,408.	1,481.	1,756.	
78"	30"		25 5/6"	YKTS7830SDLN	1,297.	1,460.	1,564.	1,834.	
84"	30"		25 5/6"	YKTS8430SDLN	1,348.	1,510.	1,615.	1,910.	
Desk height with casters	36"		30"	28 1/2"	YKTS3630SDCN	1,018.	1,182.	1,239.	1,371.
	42"	30"	28 1/2"	YKTS4230SDCN	1,070.	1,225.	1,289.	1,441.	
	48"	30"	28 1/2"	YKTS4830SDCN	1,107.	1,268.	1,339.	1,511.	
	54"	30"	28 1/2"	YKTS5430SDCN	1,144.	1,311.	1,389.	1,581.	
	60"	30"	28 1/2"	YKTS6030SDCN	1,197.	1,354.	1,436.	1,650.	
	66"	30"	28 1/2"	YKTS6630SDCN	1,238.	1,406.	1,487.	1,710.	
	72"	30"	28 1/2"	YKTS7230SDCN	1,276.	1,458.	1,531.	1,806.	
	78"	30"	28 1/2"	YKTS7830SDCN	1,345.	1,510.	1,614.	1,884.	
	84"	30"	28 1/2"	YKTS8430SDCN	1,394.	1,560.	1,665.	1,960.	

Ordering Information	Order Code	Included With	Options
Antenna Simple Tables 1. Pattern Number 2. Grommet / no grommet 3. Top finish type 4. Top finish 5. Edge Finish (for laminate tops only) 6. Base finish (paint) 7. Grommet finish (paint)	Tables <hr/> <i>Example:</i> YKTS6030SDHNL, 118, 118 <hr/> YKTS Antenna Simple Table <hr/> 60 Width <hr/> 30 Depth <hr/> SDH Desk Height High Range <hr/> N No Grommet <hr/> L Laminate <hr/> 118 Bright White Laminate <hr/> 118 Bright White Edge <hr/> 118 Bright White Leg	Antenna Simple Tables Antenna Top Table Legs Stiffener Leveling Glides or Casters Attachment Hardware	Antenna Simple Table (N) No grommet Top Finish Options: (L) = Laminate (V) = Veneer Top may be specified in any Knoll core laminate or veneer. Leg Finish Options: Legs are available in smooth Knoll core paints, Dark Red (130) and Slate blue (131) paint finishes.

Antenna Simple Tables

Rectangular Tables

36" Deep

description	type	w	d	h	pattern no.	Laminate (L)	V1 (V)	V2 (V)	V3 (V)
36"D Antenna Simple Tables with Rectangular Shaped Tops 	Desk height high range	36"	36"	28 1/2"	YKTS3636SDHN	\$1,008.	\$1,166.	\$1,241.	\$1,398.
		42"	36"	28 1/2"	YKTS4236SDHN	1,064.	1,208.	1,289.	1,470.
		48"	36"	28 1/2"	YKTS4836SDHN	1,107.	1,253.	1,337.	1,542.
		54"	36"	28 1/2"	YKTS5436SDHN	1,149.	1,298.	1,385.	1,614.
		60"	36"	28 1/2"	YKTS6036SDHN	1,209.	1,342.	1,432.	1,686.
		66"	36"	28 1/2"	YKTS6636SDHN	1,254.	1,396.	1,492.	1,771.
		72"	36"	28 1/2"	YKTS7236SDHN	1,298.	1,450.	1,552.	1,856.
		78"	36"	28 1/2"	YKTS7836SDHN	1,372.	1,504.	1,612.	1,941.
		84"	36"	28 1/2"	YKTS8436SDHN	1,427.	1,557.	1,674.	2,024.
		Desk height low range	36"	36"	25 5/6"	YKTS3636SDLN	1,008.	1,166.	1,241.
42"	36"		25 5/6"	YKTS4236SDLN	1,064.	1,208.	1,289.	1,470.	
48"	36"		25 5/6"	YKTS4836SDLN	1,107.	1,253.	1,337.	1,542.	
54"	36"		25 5/6"	YKTS5436SDLN	1,149.	1,298.	1,385.	1,614.	
60"	36"		25 5/6"	YKTS6036SDLN	1,209.	1,342.	1,432.	1,686.	
66"	36"		25 5/6"	YKTS6636SDLN	1,254.	1,396.	1,492.	1,771.	
72"	36"		25 5/6"	YKTS7236SDLN	1,298.	1,450.	1,552.	1,856.	
78"	36"		25 5/6"	YKTS7836SDLN	1,372.	1,504.	1,612.	1,941.	
84"	36"		25 5/6"	YKTS8436SDLN	1,427.	1,557.	1,674.	2,024.	
Desk height with casters	36"		36"	28 1/2"	YKTS3636SDCN	1,055.	1,216.	1,291.	1,448.
	42"	36"	28 1/2"	YKTS4236SDCN	1,112.	1,258.	1,339.	1,520.	
	48"	36"	28 1/2"	YKTS4836SDCN	1,154.	1,303.	1,387.	1,592.	
	54"	36"	28 1/2"	YKTS5436SDCN	1,196.	1,348.	1,435.	1,664.	
	60"	36"	28 1/2"	YKTS6036SDCN	1,256.	1,392.	1,482.	1,736.	
	66"	36"	28 1/2"	YKTS6636SDCN	1,301.	1,446.	1,542.	1,821.	
	72"	36"	28 1/2"	YKTS7236SDCN	1,345.	1,500.	1,602.	1,906.	
	78"	36"	28 1/2"	YKTS7836SDCN	1,420.	1,554.	1,662.	1,991.	
	84"	36"	28 1/2"	YKTS8436SDCN	1,474.	1,607.	1,724.	2,074.	



Antenna Simple Tables

Ordering Information	Order Code	Included With	Options
Antenna Simple Tables 1. Pattern Number 2. Grommet / no grommet 3. Top finish type 4. Top finish 5. Edge Finish (for laminate tops only) 6. Base finish (paint) 7. Grommet finish (paint)	Tables <hr/> <i>Example:</i> YKTS6036SDHNL, 118, 118 <hr/> YKTS Antenna Simple Table <hr/> 60 Width <hr/> 36 Depth <hr/> SDH Desk Height High Range <hr/> N No Grommet <hr/> L Laminate <hr/> 118 Bright White Laminate <hr/> 118 Bright White Edge <hr/> 118 Bright White Leg	Antenna Simple Tables Antenna Top Table Legs Stiffener Leveling Glides or Casters Attachment Hardware	Antenna Simple Table (N) No grommet Top Finish Options: (L) = Laminate (V) = Veneer Top may be specified in any Knoll core laminate or veneer. Leg Finish Options: Legs are available in smooth Knoll core paints, Dark Red (130) and Slate blue (131) paint finishes.

Antenna Simple Tables

Square Tables

36" and 42" Deep

description	type	w	d	h	pattern no.	Laminate (L)	V1 (V)	V2 (V)	V3 (V)
36"D Antenna Simple Tables with Square Shaped Tops 	Desk height high range	36"	36"	28½"	YKTS3636SDHN	\$1,008.	\$1,166.	\$1,241.	\$1,398.
	Desk height low range	36"	36"	25¾"	YKTS3636SDLN	1,008.	1,166.	1,241.	1,398.
	Desk height with casters	36"	36"	28½"	YKTS3636SDCN	1,055.	1,216.	1,291.	1,448.
42"D Antenna Simple Tables with Square Shaped Tops 	Desk height high range	42"	42"	28½"	YKTS4242SDHN	1,115.	1,293.	1,371.	1,580.
	Desk height low range	42"	42"	25¾"	YKTS4242SDLN	1,115.	1,293.	1,371.	1,580.
	Desk height with casters	42"	42"	28½"	YKTS4242SDCN	1,162.	1,332.	1,410.	1,619.

Ordering Information

Antenna Simple Tables

1. Pattern Number
2. Grommet / no grommet
3. Top finish type
4. Top finish
5. Edge Finish (for laminate tops only)
6. Base finish (paint)
7. Grommet finish (paint)

Order Code

Tables

Example: **YKTS3636SDHNL, 118, 118, 118**

YKTS	Antenna Simple Table
36	Width
36	Depth
SDH	Desk Height High Range
N	No Grommet
L	Laminate
118	Bright White Laminate
118	Bright White Edge
118	Bright White Leg

Included With

Antenna Simple Tables

Antenna Top
Table Legs
Stiffener
Leveling Glides or Casters
Attachment Hardware

Options

Antenna Simple Table

(N) No grommet

Top Finish Options:

(L) = Laminate
(V) = Veneer

Top may be specified in any Knoll core laminate or veneer.



Leg Finish Options:

Legs are available in smooth Knoll core paints, Dark Red (130) and Slate blue (131) paint finishes.

Antenna Simple Tables

Round Tables

36" and 42" Deep

description	type	w	d	h	pattern no.	Laminate (L)	V1 (V)	V2 (V)	V3 (V)
36"D Antenna Simple Tables with Round Shaped Tops 	Desk height high range	36"	36"	28½"	YKTR36SDHN	\$1,002.	\$2,207.	\$2,255.	\$2,420.
	Desk height low range	36"	36"	25⅝"	YKTR36SDLN	1,002.	2,207.	2,255.	2,420.
	Desk height with casters	36"	36"	28½"	YKTR36SDCN	1,049.	2,246.	2,294.	2,458.
42"D Antenna Simple Tables with Round Shaped Tops 	Desk height high range	42"	42"	28½"	YKTR42SDHN	1,109.	2,322.	2,382.	2,603.
	Desk height low range	42"	42"	25⅝"	YKTR42SDLN	1,109.	2,322.	2,382.	2,603.
	Desk height with casters	42"	42"	28½"	YKTR42SDCN	1,156.	2,360.	2,420.	2,641.

Antenna Simple Tables

Ordering Information	Order Code	Included With	Options
Antenna Simple Tables 1. Pattern Number 2. Grommet / no grommet 3. Top finish type 4. Top finish 5. Edge Finish (for laminate tops only) 6. Base finish (paint) 7. Grommet finish (paint)	Tables <i>Example:</i> YKTS6030SDHNL, 118, 118, 118 <hr/> YKTS Antenna Simple Table <hr/> 60 Width <hr/> 30 Depth <hr/> SDH Desk Height High Range <hr/> N No Grommet <hr/> L Laminate <hr/> 118 Bright White Laminate <hr/> 118 Bright White Edge <hr/> 118 Bright White Leg	Antenna Simple Tables Antenna Top Table Legs Stiffener Leveling Glides or Casters Attachment Hardware	Antenna Simple Table (N) No grommet Top Finish Options: (L) = Laminate (V) = Veneer Top may be specified in any Knoll core laminate or veneer. Leg Finish Options: Legs are available in smooth Knoll core paints, Dark Red (130) and Slate blue (131) paint finishes.

Antenna Simple Tables

Track Tables

36" Deep

description	type	w	d	h	pattern no.	Laminate (L)	V1 (V)	V2 (V)	V3 (V)
36"D Antenna Simple Tables with Track Shaped Tops	Desk height high range	72"	36"	28½"	YKTT7236SDHN	\$1,304.	\$2,575.	\$2,682.	\$2,984.
	Desk height low range	72"	36"	25⅝"	YKTT7236SDLN	1,304.	2,575.	2,682.	2,984.
	Desk height with casters	72"	36"	28½"	YKTT7236SDCN	1,354.	2,614.	2,721.	3,023.



Ordering Information

Antenna Simple Tables

1. Pattern Number
2. Grommet / no grommet
3. Top finish type
4. Top finish
5. Edge Finish
(for laminate tops only)
6. Base finish (paint)
7. Grommet finish
(paint)

Order Code

Tables

Example: **YKTS6030SDHNL, 118, 118, 118**

YKTS	Antenna Simple Table
60	Width
30	Depth
SDH	Desk Height High Range
N	No Grommet
L	Laminate
118	Bright White Laminate
118	Bright White Edge
118	Bright White Leg

Included With

Antenna Simple Tables

Antenna Top
Table Legs
Stiffener
Leveling Glides or Casters
Attachment Hardware

Options

Antenna Simple Table

(N) No grommet

Top Finish Options:

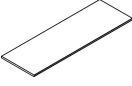
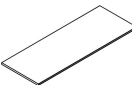
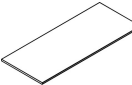
(L) = Laminate
(V) = Veneer

Top may be specified in any Knoll core laminate or veneer.

Leg Finish Options:

Legs are available in smooth Knoll core paints, Dark Red (130) and Slate blue (131) paint finishes.

Antenna Telescope Tops for Adjustable Dual Tables 24", 27" and 30" Deep Rectangular

description	type	w	d	h	pattern no.	Laminate (L)	V1 (V)	V2 (V)	V3 (V)
Antenna Telescope Adjustable Tops, 24" Deep Rectangular 	For use with Telescope Adjustable Dual Tables	47"	24"	1 1/4"	YTT4724()	\$295.	\$510.	\$586.	\$793.
	For use with Telescope Adjustable Dual Tables	53"	24"	1 1/4"	YTT5324()	320.	544.	626.	846.
	For use with Telescope Adjustable Dual Tables	59"	24"	1 1/4"	YTT5924()	345.	479.	666.	900.
	For use with Telescope Adjustable Dual Tables	65"	24"	1 1/4"	YTT6524()	373.	603.	693.	935.
	For use with Telescope Adjustable Dual Tables	71"	24"	1 1/4"	YTT7124()	388.	625.	720.	971.
	For use with Telescope Adjustable Dual Tables	77"	24"	1 1/4"	YTT7724()	418.	654.	753.	1,017.
	For use with Telescope Adjustable Dual Tables	83"	24"	1 1/4"	YTT8324()	443.	684.	785.	1,061.
Antenna Telescope Adjustable Tops, 27" Deep Rectangular 	For use with Telescope Adjustable Dual Tables	47"	27"	1 1/4"	YTT4727()	320.	539.	620.	838.
	For use with Telescope Adjustable Dual Tables	53"	27"	1 1/4"	YTT5327()	356.	574.	660.	890.
	For use with Telescope Adjustable Dual Tables	59"	27"	1 1/4"	YTT5927()	387.	608.	699.	944.
	For use with Telescope Adjustable Dual Tables	65"	27"	1 1/4"	YTT6527()	425.	625.	720.	971.
	For use with Telescope Adjustable Dual Tables	71"	27"	1 1/4"	YTT7127()	445.	648.	747.	1,006.
	For use with Telescope Adjustable Dual Tables	77"	27"	1 1/4"	YTT7727()	475.	676.	779.	1,051.
	For use with Telescope Adjustable Dual Tables	83"	27"	1 1/4"	YTT8327()	504.	705.	811.	1,096.
Antenna Telescope Adjustable Tops, 30" Deep Rectangular 	For use with Telescope Adjustable Dual Tables	47"	30"	1 1/4"	YTT4730()	345.	574.	660.	890.
	For use with Telescope Adjustable Dual Tables	53"	30"	1 1/4"	YTT5330()	392.	608.	699.	944.
	For use with Telescope Adjustable Dual Tables	59"	30"	1 1/4"	YTT5930()	431.	643.	738.	997.
	For use with Telescope Adjustable Dual Tables	65"	30"	1 1/4"	YTT6530()	481.	654.	753.	1,017.
	For use with Telescope Adjustable Dual Tables	71"	30"	1 1/4"	YTT7130()	498.	677.	779.	1,051.
	For use with Telescope Adjustable Dual Tables	77"	30"	1 1/4"	YTT7730()	533.	705.	811.	1,096.
	For use with Telescope Adjustable Dual Tables	83"	30"	1 1/4"	YTT8330()	566.	734.	845.	1,141.

Antenna Telescope

Ordering Information

Antenna Telescope Tops

1. Pattern Number
2. Top Finish Type
3. Top Finish
4. Edge Finish
(for laminate tops only)

Order Code

Antenna Telescope Tops

Example: **YTT5930L, 118, 118**

YTT	Antenna Telescope Top
59	Width
30	Depth
L	Laminate
118	Bright White Laminate
118	Bright White Edge

Included With

Antenna Telescope Tops

Options

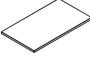


Antenna Telescope Tops

Top Finish Options:

Add an (L) for laminate or (V) for veneer suffix to pattern number.

Antenna Telescope Return Tops for Dual Tables

24", 27" and 30" Deep Rectangular

description	type	w	d	h	pattern no.	Laminate (L)	V1 (V)	V2 (V)	V3 (V)
Antenna Telescope Return Tops, 24" Deep Rectangular 	For use with Telescope Return Bases	30"	24"	1 1/4"	YTTR3024()	\$207.	\$443.	\$508.	\$687.
	For use with Telescope Return Bases	36"	24"	1 1/4"	YTTR3624()	231.	464.	535.	722.
	For use with Telescope Return Bases	42"	24"	1 1/4"	YTTR4224()	264.	488.	562.	757.
	For use with Telescope Return Bases	48"	24"	1 1/4"	YTTR4824()	295.	510.	586.	793.
	For use with Telescope Return Bases	54"	24"	1 1/4"	YTTR5424()	320.	544.	626.	846.
	For use with Telescope Return Bases	60"	24"	1 1/4"	YTTR6024()	345.	579.	666.	900.
	For use with Telescope Return Bases	66"	24"	1 1/4"	YTTR6624()	373.	603.	693.	935.
	For use with Telescope Return Bases	72"	24"	1 1/4"	YTTR7224()	388.	625.	720.	971.
Antenna Telescope Return Tops, 27" Deep Rectangular 	For use with Telescope Return Bases	30"	27"	1 1/4"	YTTR3027()	233.	459.	528.	713.
	For use with Telescope Return Bases	36"	27"	1 1/4"	YTTR3627()	259.	488.	562.	757.
	For use with Telescope Return Bases	42"	27"	1 1/4"	YTTR4227()	289.	510.	586.	793.
	For use with Telescope Return Bases	48"	27"	1 1/4"	YTTR4827()	320.	539.	620.	838.
	For use with Telescope Return Bases	54"	27"	1 1/4"	YTTR5427()	356.	574.	660.	890.
	For use with Telescope Return Bases	60"	27"	1 1/4"	YTTR6027()	387.	608.	699.	944.
	For use with Telescope Return Bases	66"	27"	1 1/4"	YTTR6627()	425.	625.	720.	971.
	For use with Telescope Return Bases	72"	27"	1 1/4"	YTTR7227()	445.	648.	747.	1,006.
Antenna Telescope Return Tops, 30" Deep Rectangular 	For use with Telescope Return Bases	30"	30"	1 1/4"	YTTR3030()	259.	483.	554.	749.
	For use with Telescope Return Bases	36"	30"	1 1/4"	YTTR3630()	285.	517.	596.	802.
	For use with Telescope Return Bases	42"	30"	1 1/4"	YTTR4230()	312.	534.	614.	828.
	For use with Telescope Return Bases	48"	30"	1 1/4"	YTTR4830()	345.	574.	660.	890.
	For use with Telescope Return Bases	54"	30"	1 1/4"	YTTR5430()	392.	608.	699.	944.
	For use with Telescope Return Bases	60"	30"	1 1/4"	YTTR6030()	431.	643.	738.	997.
	For use with Telescope Return Bases	66"	30"	1 1/4"	YTTR6630()	481.	654.	753.	1,017.
	For use with Telescope Return Bases	72"	30"	1 1/4"	YTTR7230()	498.	677.	779.	1,051.

Ordering Information

Antenna Telescope Tops

1. Pattern Number
2. Top Finish Type
3. Top Finish
4. Edge Finish
(for laminate tops only)

Order Code

Antenna Telescope Tops

Example: **YTTR5930L, 118, 118**

YTTR	Antenna Telescope Return Top
59	Width
30	Depth
L	Laminate
118	Bright White Laminate
118	Bright White Edge

Included With

Antenna Telescope Tops

Options

Antenna Telescope Tops

Top Finish Options:

Add an (L) for laminate or (V) for veneer suffix to pattern number.

Antenna Telescope Dual Table Bases

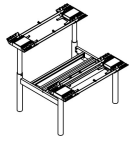
Standard Electric

With Beam and Dual Utility Trays

description	type	w	d	pattern no.	list
Telescope Base, Height Adjustable Standard Electric, with Beam and Dual Trays, Standalone	For use in standalone application	48"	45"	YBTESBTS48	\$7,880.
	For use in standalone application	54"	45"	YBTESBTS54	7,955.
	For use in standalone application	60"	45"	YBTESBTS60	8,005.
	For use in standalone application	66"	45"	YBTESBTS66	8,040.
	For use in standalone application	72"	45"	YBTESBTS72	8,060.
	For use in standalone application	78"	45"	YBTESBTS78	8,205.
	For use in standalone application	84"	45"	YBTESBTS84	8,465.



Telescope Base, Height Adjustable Standard Electric, with Beam and Dual Trays, End	For use in end application	48"	45"	YBTESBTE48	7,935.
	For use in end application	54"	45"	YBTESBTE54	8,010.
	For use in end application	60"	45"	YBTESBTE60	8,060.
	For use in end application	66"	45"	YBTESBTE66	8,095.
	For use in end application	72"	45"	YBTESBTE72	8,115.
	For use in end application	78"	45"	YBTESBTE78	8,260.
	For use in end application	84"	45"	YBTESBTE84	8,520.



Telescope Base, Height Adjustable Standard Electric, with Beam and Dual Trays, Intermediate	For use in intermediate application	48"	45"	YBTESBTI48	7,990.
	For use in intermediate application	54"	45"	YBTESBTI54	8,065.
	For use in intermediate application	60"	45"	YBTESBTI60	8,115.
	For use in intermediate application	66"	45"	YBTESBTI66	8,150.
	For use in intermediate application	72"	45"	YBTESBTI72	8,170.
	For use in intermediate application	78"	45"	YBTESBTI78	8,315.
	For use in intermediate application	84"	45"	YBTESBTI84	8,575.



Ordering Information

Antenna Telescope Dual Table Bases

1. Pattern Number
2. Control Switch
3. Base Paint Finish

Order Code

Antenna Telescope Dual Table Bases

Example: **YBTESBTE60, D, 118T**

YBT	Antenna Telescope Base
ES	Standard Electric
BT	With Beam and Trays
E	End position
60	Width
D	Digital Display
118T	Bright White Paint

Included With

Antenna Telescope Dual Table Bases

Columns
Center beam
Dual Trays
Rails
Connecting Hardware

Options

Antenna Telescope Dual Table Bases

Control Switch Options:

(S) = Standard up/down control switch

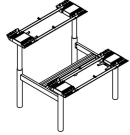
(D) = Digital Display with programmable setting. Add \$618 list for the digital display selection.

Antenna Telescope Dual Table Bases

Standard Electric

With Beam Only

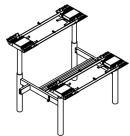
description	type	w	d	pattern no.	list
Telescope Base, Height Adjustable Standard Electric, with Beam, Standalone	For use in standalone application	48"	45"	YBTESBNS48	\$7,325.
	For use in standalone application	54"	45"	YBTESBNS54	7,365.
	For use in standalone application	60"	45"	YBTESBNS60	7,500.
	For use in standalone application	66"	45"	YBTESBNS66	7,510.
	For use in standalone application	72"	45"	YBTESBNS72	7,525.
	For use in standalone application	78"	45"	YBTESBNS78	7,555.
	For use in standalone application	84"	45"	YBTESBNS84	7,765.



Telescope Base, Height Adjustable Standard Electric, with Beam, End	For use in end application	48"	45"	YBTESBNE48	7,380.
	For use in end application	54"	45"	YBTESBNE54	7,420.
	For use in end application	60"	45"	YBTESBNE60	7,555.
	For use in end application	66"	45"	YBTESBNE66	7,565.
	For use in end application	72"	45"	YBTESBNE72	7,580.
	For use in end application	78"	45"	YBTESBNE78	7,610.
	For use in end application	84"	45"	YBTESBNE84	7,820.



Telescope Base, Height Adjustable Standard Electric, with Beam, Intermediate	For use in intermediate application	48"	45"	YBTESBNI48	7,435.
	For use in intermediate application	54"	45"	YBTESBNI54	7,475.
	For use in intermediate application	60"	45"	YBTESBNI60	7,610.
	For use in intermediate application	66"	45"	YBTESBNI66	7,620.
	For use in intermediate application	72"	45"	YBTESBNI72	7,635.
	For use in intermediate application	78"	45"	YBTESBNI78	7,665.
	For use in intermediate application	84"	45"	YBTESBNI84	7,875.



Ordering Information

Antenna Telescope Dual Table Bases

1. Pattern Number
2. Control Switch
3. Base Paint Finish

Order Code

Antenna Telescope Dual Table Bases

Example: **YBTESBNE60, D, 118T**

YBT	Antenna Telescope Base
ES	Standard Electric
BN	With Beam Only
E	End position
60	Width
D	Digital Display
118T	Bright White Paint

Included With

Antenna Telescope Dual Table Bases

Columns
Center beam
Rails
Connecting Hardware

Options

Antenna Telescope Dual Table Bases

Control Switch Options:

(S) = Standard up/down control switch

(D) = Digital Display with programmable setting.
Add \$618 list for the digital display selection.

Antenna Telescope Dual Table Bases

Standard Electric

Without Beam and Dual Utility Trays

description	type	w	d	pattern no.	list
Telescope Base, Height Adjustable Standard Electric, without Beam and Tray, Standalone	For use in standalone application	48"	45"	YBTESNNS48	\$7,070.
	For use in standalone application	54"	45"	YBTESNNS54	7,110.
	For use in standalone application	60"	45"	YBTESNNS60	7,145.
	For use in standalone application	66"	45"	YBTESNNS66	7,150.
	For use in standalone application	72"	45"	YBTESNNS72	7,165.
	For use in standalone application	78"	45"	YBTESNNS78	7,195.
	For use in standalone application	84"	45"	YBTESNNS84	7,410.



Ordering Information

Antenna Telescope Dual Table Bases

1. Pattern Number
2. Control Switch
3. Base Paint Finish

Order Code

Antenna Telescope Dual Table Bases

Example: **YBTESNNE60, D, 118T**

YBT	Antenna Telescope Base
ES	Standard Electric
NN	Without Beam and Trays
E	End position
60	Width
D	Digital Display
118T	Bright White Paint

Included With

Antenna Telescope Dual Table Bases

Columns
Rails
Connecting Hardware

Options

Antenna Telescope Dual Table Bases

Control Switch Options:

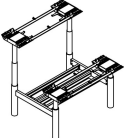
(S) = Standard up/down control switch

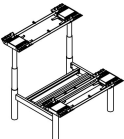
(D) = Digital Display with programmable setting. Add \$618 list for the digital display selection.

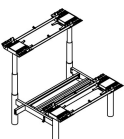
Antenna Telescope Dual Table Bases

Extended Electric

With Beam and Dual Utility Trays

description	type	w	d	pattern no.	list
Telescope Base, Height Adjustable Extended Electric, with Beam and Dual Trays, Standalone 	For use in standalone application	48"	45"	YBTEXBTS48	\$8,880.
	For use in standalone application	54"	45"	YBTEXBTS54	8,955.
	For use in standalone application	60"	45"	YBTEXBTS60	9,005.
	For use in standalone application	66"	45"	YBTEXBTS66	9,040.
	For use in standalone application	72"	45"	YBTEXBTS72	9,060.
	For use in standalone application	78"	45"	YBTEXBTS78	9,205.
	For use in standalone application	84"	45"	YBTEXBTS84	9,465.

Telescope Base, Height Adjustable Extended Electric, with Beam and Dual Trays, End 	For use in end application	48"	45"	YBTEXBTE48	8,935.
	For use in end application	54"	45"	YBTEXBTE54	9,010.
	For use in end application	60"	45"	YBTEXBTE60	9,060.
	For use in end application	66"	45"	YBTEXBTE66	9,095.
	For use in end application	72"	45"	YBTEXBTE72	9,115.
	For use in end application	78"	45"	YBTEXBTE78	9,260.
	For use in end application	84"	45"	YBTEXBTE84	9,520.

Telescope Base, Height Adjustable Extended Electric, with Beam and Dual Trays, Intermediate 	For use in intermediate application	48"	45"	YBTEXBTI48	8,990.
	For use in intermediate application	54"	45"	YBTEXBTI54	9,065.
	For use in intermediate application	60"	45"	YBTEXBTI60	9,115.
	For use in intermediate application	66"	45"	YBTEXBTI66	9,150.
	For use in intermediate application	72"	45"	YBTEXBTI72	9,170.
	For use in intermediate application	78"	45"	YBTEXBTI78	9,315.
	For use in intermediate application	84"	45"	YBTEXBTI84	9,575.

Ordering Information

Antenna Telescope Dual Table Bases

1. Pattern Number
2. Control Switch
3. Base Paint Finish

Order Code

Antenna Telescope Dual Table Bases

Example: **YBTEXBTE60, D, 118T**

YBT	Antenna Telescope Base
EX	Extended Electric
BT	With Beam and Trays
E	End position
60	Width
D	Digital Display
118T	Bright White Paint

Included With

Antenna Telescope Dual Table Bases

Columns
 Center beam
 Dual Trays
 Rails
 Connecting Hardware

Options

Antenna Telescope Dual Table Bases

Control Switch Options:

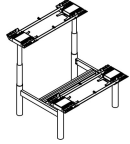
(S) = Standard up/down control switch
 (D) = Digital Display with programmable setting.
 Add \$618 list for the digital display selection.

Antenna Telescope Dual Table Bases

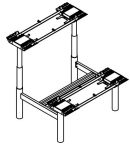
Extended Electric

With Beam Only

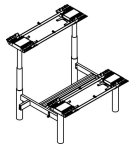
description	type	w	d	pattern no.	list
Telescope Base, Height Adjustable Extended Electric, with Beam, Standalone	For use in standalone application	48"	45"	YBTEXBNS48	\$8,325.
	For use in standalone application	54"	45"	YBTEXBNS54	8,365.
	For use in standalone application	60"	45"	YBTEXBNS60	8,500.
	For use in standalone application	66"	45"	YBTEXBNS66	8,510.
	For use in standalone application	72"	45"	YBTEXBNS72	8,525.
	For use in standalone application	78"	45"	YBTEXBNS78	8,555.
	For use in standalone application	84"	45"	YBTEXBNS84	8,765.



Telescope Base, Height Adjustable Extended Electric, with Beam, End	For use in end application	48"	45"	YBTEXBNE48	8,380.
	For use in end application	54"	45"	YBTEXBNE54	8,420.
	For use in end application	60"	45"	YBTEXBNE60	8,555.
	For use in end application	66"	45"	YBTEXBNE66	8,565.
	For use in end application	72"	45"	YBTEXBNE72	8,580.
	For use in end application	78"	45"	YBTEXBNE78	8,610.
	For use in end application	84"	45"	YBTEXBNE84	8,820.



Telescope Base, Height Adjustable Extended Electric, with Beam, Intermediate	For use in intermediate application	48"	45"	YBTEXBNI48	8,435.
	For use in intermediate application	54"	45"	YBTEXBNI54	8,475.
	For use in intermediate application	60"	45"	YBTEXBNI60	8,610.
	For use in intermediate application	66"	45"	YBTEXBNI66	8,620.
	For use in intermediate application	72"	45"	YBTEXBNI72	8,635.
	For use in intermediate application	78"	45"	YBTEXBNI78	8,665.
	For use in intermediate application	84"	45"	YBTEXBNI84	8,875.



Ordering Information

Antenna Telescope Dual Table Bases

1. Pattern Number
2. Control Switch
3. Base Paint Finish

Order Code

Antenna Telescope Dual Table Bases

Example: **YBTEXBNE60, D, 118T**

YBT	Antenna Telescope Base
EX	Extended Electric
BN	With Beam Only
E	End position
60	Width
D	Digital Display
118T	Bright White Paint

Included With

Antenna Telescope Dual Table Bases

Columns
Center beam
Rails
Connecting Hardware

Options

Antenna Telescope Dual Table Bases

Control Switch Options:

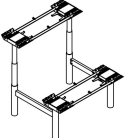
(S) = Standard up/down control switch

(D) = Digital Display with programmable setting.
Add \$618 list for the digital display selection.

Antenna Telescope Dual Table Bases

Extended Electric

Without Beam and Dual Utility Trays

description	type	w	d	pattern no.	list
Telescope Base, Height Adjustable Extended Electric, without Beam and Tray, Standalone 	For use in standalone application	48"	45"	YBTEXNNS48	\$8,070.
	For use in standalone application	54"	45"	YBTEXNNS54	8,110.
	For use in standalone application	60"	45"	YBTEXNNS60	8,145.
	For use in standalone application	66"	45"	YBTEXNNS66	8,150.
	For use in standalone application	72"	45"	YBTEXNNS72	8,165.
	For use in standalone application	78"	45"	YBTEXNNS78	8,195.
	For use in standalone application	84"	45"	YBTEXNNS84	8,410.

Ordering Information

Antenna Telescope Dual Table Bases

1. Pattern Number
2. Control Switch
3. Base Paint Finish

Order Code

Antenna Telescope Dual Table Bases

Example: **YBTEXNNE60, D, 118T**

YBT	Antenna Telescope Base
EX	Extended Electric
NN	Without Beam and Tray
E	End position
60	Width
D	Digital Display
118T	Bright White Paint

Included With

Antenna Telescope Dual Table Bases

Columns
 Rails
 Connecting Hardware

Options


Antenna Telescope Dual Table Bases

Control Switch Options:

(S) = Standard up/down control switch
 (D) = Digital Display with programmable setting.
 Add \$618 list for the digital display selection.

Antenna Telescope Return Bases

Standard Electric

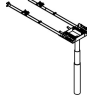
description	type	w	d	pattern no.	list
Telescope Return Base, Height Adjustable Standard Electric 	For 54"W Return, Includes Depth of Adjoining Top	15"	54"	YBTRES54	\$1,850.
	For 57"W Return, Includes Depth of Adjoining Top	15"	57"	YBTRES57	1,855.
	For 60"W Return, Includes Depth of Adjoining Top	15"	60"	YBTRES60	1,865.
	For 63"W Return, Includes Depth of Adjoining Top	15"	63"	YBTRES63	1,875.
	For 66"W Return, Includes Depth of Adjoining Top	15"	66"	YBTRES66	1,880.
	For 69"W Return, Includes Depth of Adjoining Top	15"	69"	YBTRES69	1,885.
	For 72"W Return, Includes Depth of Adjoining Top	15"	72"	YBTRES72	1,895.
	For 75"W Return, Includes Depth of Adjoining Top	15"	75"	YBTRES75	1,900.
	For 78"W Return, Includes Depth of Adjoining Top	15"	78"	YBTRES78	1,905.
	For 81"W Return, Includes Depth of Adjoining Top	15"	81"	YBTRES81	1,915.
	For 84"W Return, Includes Depth of Adjoining Top	15"	84"	YBTRES84	1,920.
	For 87"W Return, Includes Depth of Adjoining Top	15"	87"	YBTRES87	1,922.
	For 90"W Return, Includes Depth of Adjoining Top	15"	90"	YBTRES90	1,925.
	For 93"W Return, Includes Depth of Adjoining Top	15"	93"	YBTRES93	1,935.
	For 96"W Return, Includes Depth of Adjoining Top	15"	96"	YBTRES96	1,950.
	For 99"W Return, Includes Depth of Adjoining Top	15"	99"	YBTRES99	1,952.
For 102"W Return, Includes Depth of Adjoining Top	15"	102"	YBTRES102	1,955.	

Antenna Telescope

Ordering Information	Order Code	Included With	Options
Antenna Telescope Return Bases 1. Pattern Number 2. Base Paint Finish	Antenna Telescope Return Bases <i>Example:</i> YBTRES60, 118T YBTR Antenna Telescope Return Base ES Standard Electric 60 Depth 118T Bright White Paint	Antenna Telescope Return Bases Column Rails Connecting Hardware	Antenna Telescope Return Bases

Antenna Telescope Return Bases

Extended Electric

description	type	w	d	pattern no.	list
 Telescope Return Base, Height Adjustable Extended Electric	For 54"W Return, Includes Depth of Adjoining Top	15"	54"	YBTREX54	\$2,125.
	For 57"W Return, Includes Depth of Adjoining Top	15"	57"	YBTREX57	2,130.
	For 60"W Return, Includes Depth of Adjoining Top	15"	60"	YBTREX60	2,140.
	For 63"W Return, Includes Depth of Adjoining Top	15"	63"	YBTREX63	2,150.
	For 66"W Return, Includes Depth of Adjoining Top	15"	66"	YBTREX66	2,155.
	For 69"W Return, Includes Depth of Adjoining Top	15"	69"	YBTREX69	2,160.
	For 72"W Return, Includes Depth of Adjoining Top	15"	72"	YBTREX72	2,170.
	For 75"W Return, Includes Depth of Adjoining Top	15"	75"	YBTREX75	2,175.
	For 78"W Return, Includes Depth of Adjoining Top	15"	78"	YBTREX78	2,180.
	For 81"W Return, Includes Depth of Adjoining Top	15"	81"	YBTREX81	2,190.
	For 84"W Return, Includes Depth of Adjoining Top	15"	84"	YBTREX84	2,195.
	For 87"W Return, Includes Depth of Adjoining Top	15"	87"	YBTREX87	2,197.
	For 90"W Return, Includes Depth of Adjoining Top	15"	90"	YBTREX90	2,200.
	For 93"W Return, Includes Depth of Adjoining Top	15"	93"	YBTREX93	2,210.
	For 96"W Return, Includes Depth of Adjoining Top	15"	96"	YBTREX96	2,225.
For 99"W Return, Includes Depth of Adjoining Top	15"	99"	YBTREX99	2,227.	
For 102"W Return, Includes Depth of Adjoining Top	15"	102"	YBTREX102	2,230.	

Ordering Information

Antenna Telescope Return Bases

1. Pattern Number
2. Base Paint Finish

Order Code

Antenna Telescope Return Bases

Example: **YBTREX60, 118T**

YBTR Antenna Telescope Return Base

EX Extended Electric

60 Depth

118T Bright White Paint

Included With

Antenna Telescope Return Bases

Column
Rails
Connecting Hardware

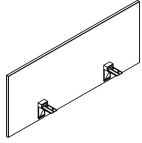
Options

Antenna Telescope Return Bases

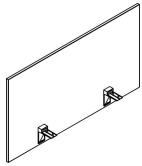
Fabric

For 42" and 49" High Horizon

description	w	d	h	pattern no.	10	20	30	40	45
Fabric Screens with Partial Modesty For Telescope Dual Tables, 42"H Horizon	47"	1 1/4"	20"	YPSB2047F	\$780.	\$819.	\$858.	\$897.	\$936.
	53"	1 1/4"	20"	YPSB2053F	838.	880.	920.	964.	1,005.
	59"	1 1/4"	20"	YPSB2059F	889.	934.	979.	1,023.	1,067.
	65"	1 1/4"	20"	YPSB2065FRR	930.	977.	1,023.	1,069.	1,115.
	71"	1 1/4"	20"	YPSB2071FRR	958.	1,006.	1,055.	1,101.	1,150.
	77"	1 1/4"	20"	YPSB2077FRR	1,034.	1,086.	1,137.	1,189.	1,241.
	83"	1 1/4"	20"	YPSB2083FRR	1,117.	1,173.	1,229.	1,285.	1,340.



Fabric Screens with Partial Modesty For Telescope Dual Tables, 49"H Horizon	47"	1 1/4"	26"	YPSB2647F	912.	958.	1,003.	1,049.	1,095.
	53"	1 1/4"	26"	YPSB2653F	976.	1,025.	1,072.	1,121.	1,172.
	59"	1 1/4"	26"	YPSB2659F	1,017.	1,066.	1,117.	1,169.	1,219.
	65"	1 1/4"	26"	YPSB2665FRR	1,062.	1,114.	1,169.	1,221.	1,273.
	71"	1 1/4"	26"	YPSB2671FRR	1,108.	1,161.	1,219.	1,273.	1,329.
	77"	1 1/4"	26"	YPSB2677FRR	1,197.	1,257.	1,316.	1,376.	1,436.
	83"	1 1/4"	26"	YPSB2683FRR	1,292.	1,357.	1,422.	1,486.	1,551.



Ordering Information

Desk Screens

1. Pattern Number
2. Inside Fabric Finish
3. Outside Fabric Finish
4. Frame Paint Finish
5. Bracket Paint Finish

Order Code

Desk Screens

Example: **YPSB2047F, W351, W351, 118T**

YPSB	Desk Screen
20	Height
47	Width
F	Fabric
W351	Foundation
W351	Foundation
118T	Bright White Paint
118T	Bright White Paint

Included With

Desk Screens

Brackets
Hardware

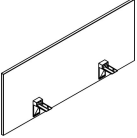
Options

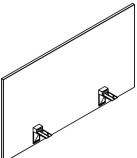
Desk Screens

The price of screens specified with a combination of fabrics is the higher of the two fabric grades.

(RR) Fabric is applied railroaded.

Desk Screens for Telescope Dual Tables
Laminate, Markerboard or Veneer
For 42" and 49" High Horizon

description	w	d	h	pattern no.	Laminate (L)	Laminate (LM)	V1 (V)	V2 (V)	V3 (V)
Screens with Partial Modesty For Telescope Dual Tables, 42"H Horizon	47"	3/4"	20"	YPSB2047()	\$385.	\$595.	\$595.	\$684.	\$887.
	53"	3/4"	20"	YPSB2053()	393.	616.	616.	709.	920.
	59"	3/4"	20"	YPSB2059()	398.	666.	666.	766.	997.
	65"	3/4"	20"	YPSB2065()	405.	696.	696.	801.	1,040.
	71"	3/4"	20"	YPSB2071()	411.	719.	719.	826.	1,072.
	77"	3/4"	20"	YPSB2077()	452.	754.	754.	868.	1,128.
	83"	3/4"	20"	YPSB2083()	497.	792.	792.	911.	1,184.

Screens with Partial Modesty For Telescope Dual Tables, 49"H Horizon	47"	3/4"	26"	YPSB2647()	385.	691.	691.	795.	1,033.
	53"	3/4"	26"	YPSB2653()	393.	720.	720.	826.	1,074.
	59"	3/4"	26"	YPSB2659()	398.	801.	801.	920.	1,196.
	65"	3/4"	26"	YPSB2665()	405.	829.	829.	953.	1,240.
	71"	3/4"	26"	YPSB2671()	518.	858.	858.	987.	1,283.
	77"	3/4"	26"	YPSB2677()	570.	901.	901.	1,036.	1,347.
	83"	3/4"	26"	YPSB2683()	627.	946.	946.	1,088.	1,414.

Ordering Information

Desk Screens

1. Pattern Number
2. Inside Fabric Finish
3. Outside Fabric Finish
4. Frame Paint Finish
5. Bracket Paint Finish

Order Code

Desk Screens

Example: **YPSB2047V, V316, 118T**

YPSB	Desk Screen
20	Height
47	Width
V	Veneer
V316	Maple
118T	Bright White Paint

Included With

Desk Screens

Brackets
Hardware

Options

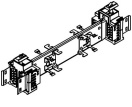
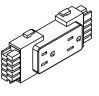
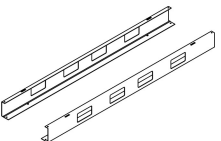
Desk Screens

Finish Options:
(L) = Laminate
(LM) = Markerboard
(V) = Veneer

Telescope Power and Cable Management

Electrical Components for Telescope Dual Tables

2 + 2 and 3 + 3 Electrical Systems

description	type	w	d	h	pattern no.	list
	2+2, (2) Duplex Outlets per Side	12"	2"	2"	YRPHE12	\$179.
	2+2, (4) Duplex Outlets per Side	24"	2"	2"	YRPHE24	325.
	3+3, (2) Duplex Outlets per Side	12"	2"	2"	YRPHT12	204.
	3+3, (4) Duplex Outlets per Side	24"	2"	2"	YRPHT24	391.
Communications Mounting Box	Below Desk or Big Table				YR1CMB	40.
	Circuit A, black	1 1/2"	1"	4 1/2"	YR1DA	41.
	Circuit B, black	1 1/2"	1"	4 1/2"	YR1DB	41.
	Circuit C, black	1 1/2"	1"	4 1/2"	YR1DC	41.
	Circuit X, black	1 1/2"	1"	4 1/2"	YR1DX	41.
	Circuit X, black with orange triangle	1 1/2"	1"	4 1/2"	YR1DXT	41.
	Circuit X, orange	1 1/2"	1"	4 1/2"	YR1DXO	41.
	Circuit Y, black	1 1/2"	1"	4 1/2"	YR1DY	41.
	Circuit Y, black with orange triangle	1 1/2"	1"	4 1/2"	YR1DYT	41.
	Circuit Y, orange	1 1/2"	1"	4 1/2"	YR1DYO	41.
	Circuit Z, black	1 1/2"	1"	4 1/2"	YR1DZ	41.
	Circuit Z, black with orange triangle	1 1/2"	1"	4 1/2"	YR1DZT	41.
	Circuit Z, orange	1 1/2"	1"	4 1/2"	YR1DZO	41.
	Outlet Fillers	Package of 10	1 1/4"	1/4"	2 1/2"	YROF
	For 12" wide power harness, outlets both sides	18"	3"	3"	YRC18D	97.
	For 12" wide power harness, outlets one side	18"	3"	3"	YRC18S	97.
	For 24" wide power harness, outlets both sides	30"	3"	3"	YRC30D	115.
	For 24" wide power harness, outlets one side	30"	3"	3"	YRC30S	115.

Antenna Telescope

Ordering Information

Electrical Components

1. Pattern Number

Mounting Brackets

1. Pattern Number
2. Paint Finish

Raceway Covers/End Caps

1. Pattern Number
2. Paint Finish

Communication Mounting Box

1. Pattern Number
2. Paint Finish

Order Code

Electrical Components

Example: **YRPHT12**

YRPHT Power Harness

12 Width

Raceway Covers

Example: **YRC18D, 118T**

YRC Raceway Covers

18 Width

D Outlets Both Sides

118T Bright White Paint

Included With

Power Harness
Center Beam Attachment

Mounting Brackets
Attachment Hardware

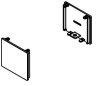
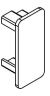
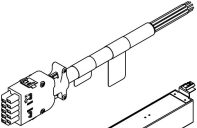
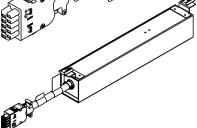
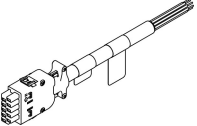
Communication Mounting Box
Attachment Hardware

Electrical Components

Telescope Power and Cable Management

Electrical Components for Telescope Dual Tables

2 + 2 and 3 + 3 Electrical Systems

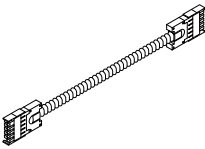
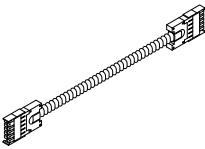
description	type	w	d	h	pattern no.	list
Raceway End Cap 	Package of 2	3/8"	3"	3"	YRCE	\$17.
Covers for Exposed End of Power Harness 	Package of 10	1"	1"	2"	YR1CP	183.
Infeeds						
	2+2 Hardwire Infeed for New York City	85"	2 1/8"	2 3/8"	YR1EPNY	436.
	2+2 Modular Base Infeed	85"	2 1/8"	2 3/8"	YR1EDPI	198.
	3+3 Hardwire Infeed for New York City	85"	2 1/8"	2 3/8"	YR1TPNY	459.
	3+3 Modular Base Infeed	85"	2 1/8"	2 3/8"	YR1TDPI	229.
Ceiling infeed passing through Interpole to Antenna desk, Big Table or Fence 	2+2				YR1EPIC12	433.
	2+2				YR1EPIC20	787.
	3+3				YR1TPIC12	468.
	3+3				YR1TPIC20	825.

Ordering Information	Order Code	Included With
Electrical Components	Electrical Components	Power Harness
1. Pattern Number	<i>Example:</i> YRPHT12	Center Beam Attachment
Mounting Brackets	YRPHT Power Harness	Mounting Brackets
1. Pattern Number	12 Width	Attachment Hardware
2. Paint Finish	Raceway Covers	Communication Mounting Box
Raceway Covers/End Caps	<i>Example:</i> YRC18D, 118T	Attachment Hardware
1. Pattern Number	YRC Raceway Covers	
2. Paint Finish	18 Width	
Communication Mounting Box	D Outlets Both Sides	
1. Pattern Number	118T Bright White Paint	
2. Paint Finish		

Telescope Power and Cable Management

Electrical Components for Telescope Dual Tables

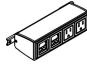
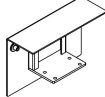
2 + 2 and 3 + 3 Electrical Systems

description	type	w	d	h	pattern no.	list	
 <p>Jumper Cable, 2+2</p>	For 12" between power harnesses	12"	1"	1"	YR1EJ12	\$104.	
	For 18" between power harnesses	18"	1"	1"	YR1EJ18	113.	
	For 24" between power harnesses	24"	1"	1"	YR1EJ24	119.	
	For 30" between power harnesses	30"	1"	1"	YR1EJ30	127.	
	For 36" between power harnesses	36"	1"	1"	YR1EJ36	134.	
	For 42" between power harnesses	42"	1"	1"	YR1EJ42	149.	
	For 48" between power harnesses	48"	1"	1"	YR1EJ48	155.	
	For 54" between power harnesses	54"	1"	1"	YR1EJ54	161.	
	For 60" between power harnesses	60"	1"	1"	YR1EJ60	171.	
	For 66" between power harnesses	66"	1"	1"	YR1EJ66	179.	
	For 72" between power harnesses	72"	1"	1"	YR1EJ72	187.	
 <p>Jumper Cable, 3+3</p>	For adjacent power harnesses	07"	1"	1"	YR1TJ7	178.	
	For 12" between power harnesses	12"	1"	1"	YR1TJ12	134.	
	For 18" between power harnesses	18"	1"	1"	YR1TJ18	147.	
	For 24" between power harnesses	24"	1"	1"	YR1TJ24	155.	
	For 30" between power harnesses	30"	1"	1"	YR1TJ30	164.	
	For 36" between power harnesses	36"	1"	1"	YR1TJ36	175.	
	For 42" between power harnesses	42"	1"	1"	YR1TJ42	193.	
	For 48" between power harnesses	48"	1"	1"	YR1TJ48	202.	
	For 54" between power harnesses	54"	1"	1"	YR1TJ54	209.	
	For 60" between power harnesses	60"	1"	1"	YR1TJ60	222.	
	For 66" between power harnesses	66"	1"	1"	YR1TJ66	233.	
		For 72" between power harnesses	72"	1"	1"	YR1TJ72	243.

Ordering Information	Order Code	Included With	Options
Electrical Components 1. Pattern Number	Electrical Components <i>Example:</i> YRPHT12	Power Harness Center Beam Attachment	Electrical Components
Mounting Brackets 1. Pattern Number 2. Paint Finish	YRPHT Power Harness 12 Width	Mounting Brackets Attachment Hardware	
Raceway Covers/End Caps 1. Pattern Number 2. Paint Finish	Raceway Covers <i>Example:</i> YRC18D, 118T YRC Raceway Covers 18 Width	Communication Mounting Box Attachment Hardware	
Communication Mounting Box 1. Pattern Number 2. Paint Finish	D Outlets Both Sides 118T Bright White Paint		

Desktop Outlet Center



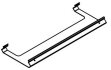
Four or Six Positions

description	type	w	d	h	pattern no.	list
Desktop Outlet Center 	4 Positions (1, 2-port USB and 3 Power), 10' Cordset	6½"	2½"	2"	YR1DOC4U3C10N	\$657.
	4 Positions (1, 2-port USB and 3 Power), 6' Cordset	6½"	2½"	2"	YR1DOC4U3C6N	625.
	4 Positions (1, 2-port USB and 3 Power), 6' Hardwire	6½"	2½"	2"	YR1DOC4U3H6N	675.
	4 Positions (2 Data and 2 Power), 10' Cordset	6½"	2½"	2"	YR1DOC422C10N	483.
	4 Positions (2 Data and 2 Power), 6' Cordset	6½"	2½"	2"	YR1DOC422C6N	448.
	4 Positions (2 Data and 2 Power), 6' Hardwire	6½"	2½"	2"	YR1DOC422H6N	493.
	6 Positions (3 Data and 3 Power), 10' Cordset	9½"	2½"	2"	YR1DOC633C10N	603.
	6 Positions (3 Data and 3 Power), 6' Cordset	9½"	2½"	2"	YR1DOC633C6N	569.
	6 Positions (3 Data and 3 Power), 6' Hardwire	9½"	2½"	2"	YR1DOC633H6N	614.
	6 Positions (4 Data and 2 Power), 10' Cordset	9½"	2½"	2"	YR1DOC642C10N	579.
	6 Positions (4 Data and 2 Power), 6' Cordset	9½"	2½"	2"	YR1DOC642C6N	544.
	6 Positions (4 Data and 2 Power), 6' Hardwire	9½"	2½"	2"	YR1DOC642H6N	590.
	Desk Mount Outlet Center Shroud 	For 4 Position Desktop Outlet Center	8"	3"	6"	YR1DM4
For 6 Position Desktop Outlet Center		11"	3"	6"	YR1DM6	230.

Ordering Information	Order Code	Included With	Options
Desktop Outlet Center 1. Pattern Number	Desktop Outlet Center <i>Example:</i> YR1DOC422C10N YR1DOC Desktop Outlet Center 4 Positions 2 Data 2 Power C10 10' Cordset N No finish	Desktop Outlet Center Desk Mount Shroud Attachment Hardware	Desktop Outlet Center Desk Mount Shroud
Desk Mount Shroud 1. Pattern Number 2. Paint Finish	Desk Mount Shroud <i>Example:</i> YR1DM4, 118T YR1DM Desk Shroud 4 Positions 118T Bright White Paint		

Telescope Power and Cable Management

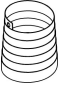

Power Strip, Cleat Plate and Cleat Plate Cover

description	type	w	d	h	pattern no.	list
Power Strip 	For Telescope Dual Table	24"	1 1/2"	1 1/2"	YR1TPS24	\$375.
Cleat Plate 	For Telescope Dual Table	25"	3 3/4"	2 1/4"	YR1TCP	117.
Cleat Plate Cover 	For 48"W Telescope Dual Table	27 1/2"	10 1/2"	2 1/8"	YR1TCPC28	115.
	For 54" - 84"W Telescope Dual Tables	30"	10 1/2"	2 1/8"	YR1TCPC30	115.

Ordering Information	Order Code	Included With	Options
Telescope Power Strip 1. Pattern Number 2. Bracket Paint Finish	Telescope Power Strip <i>Example:</i> YR1TPS24, 118T YR1TPS Telescope Power Strip 24 Width 118T Bright White Textured Paint	Telescope Power Strip Brackets Attachment Hardware	Telescope Power Strip
Cleat Plate 1. Pattern Number		Cleat Plate Wood Screws	
Cleat Plate Cover 1. Pattern Number 2. Paint Finish			

Telescope Accessories

Telescope Accessories

description	type	w	d	h	pattern no.	list
Helical Glide Shroud 	For Telescope Dual Table	2 1/8"	2 1/8"	2 3/4"	YBTHS	\$50.
Figure-8 Column Connector (pair) 	For Telescope Dual Table	10 3/5"	2 3/4"	1/8"	YBTF8	113.

Ordering Information	Order Code	Included With	Options
Helical Glide Shroud 1. Pattern Number	Helical Glide Shroud <hr/> <i>Example:</i> YBTHS		
Figure-8 Column Connector 1. Top Finish Type 2. Paint Finish	YBT Antenna Telescope <hr/> HS Helical Glide Shroud		

Alpha-Numeric Index

<i>pattern no.</i>	<i>page</i>	<i>pattern no.</i>	<i>page</i>	<i>pattern no.</i>	<i>page</i>	<i>pattern no.</i>	<i>page</i>
ACT-CUP-IP	297	IPSI1548F	312	IPSSDKL66	309	YBPSSF2784	133
ARIEPIC	294	IPSI1554F	312	IPSSDKL72	309	YBRB39	83
AR1TPIC	294	IPSI1560F	312	IPSSDKR36	310	YBRB45	83
DE18CII44	294	IPSI1566F	312	IPSSDKR42	310	YBRB51	83
DE1ECII44	294	IPSI1572F	312	IPSSDKR48	310	YBRB57	83
DE1TCII44	294	IPSI6415F	319	IPSSDKR54	310	YBRB63	83
IPACPU	297	IPSN144	289	IPSSDKR60	310	YBRB69	83
IPAVESA	297	IPSOB3615	306	IPSSDKR66	310	YBRB75	83
IPBH	297	IPSOB4215	306	IPSSDKR72	310	YBRB81	83
IPCC10	296	IPSOB4815	306	IPSSDL3615	309	YBRB87	83
IPCH	297	IPSOB5415	306	IPSSDL4215	309	YBRB93	83
IPCS1212	297	IPSOB6015	306	IPSSDL4815	309	YBRBTE48	80
IPCT	296	IPSOB6615	306	IPSSDL5415	309	YBRBTE54	80
IPEL	292	IPSOB7215	306	IPSSDL6015	309	YBRBTE60	80
IPESCNN47	289	IPSOE3615	306	IPSSDL6615	309	YBRBTE66	80
IPEX	296	IPSOE4215	306	IPSSDL7215	309	YBRBTE72	80
IPOC12	296	IPSOE4815	306	IPSSDR3615	310	YBRBTE78	80
IPOC6	296	IPSOE5415	306	IPSSDR4215	310	YBRBTE84	80
IPPL30R	297	IPSOE6015	306	IPSSDR4815	310	YBRBTE90	80
IPRC18	292	IPSOE6615	306	IPSSDR5415	310	YBRBTE96	80
IPRC30	292	IPSOE7215	306	IPSSDR6015	310	YBRBTS45	80
IPRC42	292	IPSOS3615	306	IPSSDR6615	310	YBRBTS51	80
IPRC6	292	IPSOS4215	306	IPSSDR7215	310	YBRBTS57	80
IPRCF120	292	IPSOS4815	306	IPSVDL1564L	316	YBRBTS63	80
IPRCF180	292	IPSOS5415	306	IPSVDL1564R	316	YBRBTS69	80
IPRCF72	292	IPSOS6015	306	IPSVDR1564L	316	YBRBTS75	80
IPRCF96	292	IPSOS6615	306	IPSVDR1564R	316	YBRBTS81	80
IPRD1	292	IPSOS7215	306	IPSVOS1564L	315	YBRBTS87	80
IPRD2	292	IPSSD3615	308	IPSVOS1564R	315	YBRBTS93	80
I PROF	292	IPSSD4215	308	IPSVWL1564L	317	YBRE	90
IPRUSB	292	IPSSD4815	308	IPSVWL1564R	317	YBRE36	78
IPSC6436(N/T)CG	300	IPSSD5415	308	IPSVWR1564L	317	YBRE42	78
IPSC6436(N/T)GCT	300	IPSSD6015	308	IPSVWR1564R	317	YBRE48	78
IPSC6436(N/T)LF	301	IPSSD6615	308	RR3EPVR	294	YBRE54	78
IPSC6436(N/T)LL	300	IPSSD7215	308	RR3TPVR	294	YBRE60	78
IPSC6442(N/T)CG	300	IPSSDK36	308	SISAWDSIK	128	YBRE66	78
IPSC6442(N/T)GCT	300	IPSSDK42	308	SISDDPS	128	YBRE72	78
IPSC6442(N/T)LF	301	IPSSDK48	308	SISLC4	128	YBRE78	78
IPSC6442(N/T)LL	300	IPSSDK54	308	YACPU	95	YBRE84	79
IPSC6448(N/T)CG	300	IPSSDK60	308	YAK	95	YBRE90	79
IPSC6448(N/T)GCT	300	IPSSDK66	308	YAPTC	214, 219, 224	YBRE96	79
IPSC6448(N/T)LF	301	IPSSDK72	308	YAPTN	214, 219, 224	YBRR33	82
IPSC6448(N/T)LL	300	IPSSOEL3615	307	YBAFE25	89	YBRR36	82
IPSC6454(N/T)CG	300	IPSSOEL4215	307	YBAFE28	89	YBRR39	82
IPSC6454(N/T)GCT	300	IPSSOEL4815	307	YBATBT22	89	YBRR42	82
IPSC6454(N/T)LF	301	IPSSOEL5415	307	YBATBT25	89	YBRR45	82
IPSC6454(N/T)LL	300	IPSSOEL6015	307	YBATE22	89	YBRR48	82
IPSC6460(N/T)CG	300	IPSSOEL6615	307	YBATE25	89, 213	YBRR51	82
IPSC6460(N/T)GCT	300	IPSSOEL7215	307	YBATE28	89	YBRR54	82
IPSC6460(N/T)LF	301	IPSSOER3615	307	YBAW25	89, 217	YBRR57	82
IPSC6460(N/T)LL	300	IPSSOER4215	307	YBCDE	85, 233	YBRR60	82
IPSCHH144	290	IPSSOER4815	307	YBCRR	90	YBRR63	82
IPSCLL144	290	IPSSOER5415	307	YBCWS	90	YBRR66	82
IPSCMM144	290	IPSSOER6015	307	YBF	90	YBRR69	82
IPSCNG144	289	IPSSOER6615	307	YBIG	146	YBRR72	82
IPSCNH144	290	IPSSOER7215	307	YBPSSF2748	133	YBRR75	82
IPSCNL144	290	IPSSSDKL36	309	YBPSSF2754	133	YBRR78	82
IPSCNM144	290	IPSSSDKL42	309	YBPSSF2760	133	YBRR81	82
IPSCNN144	289	IPSSSDKL48	309	YBPSSF2766	133	YBRR84	82
IPSI1536F	312	IPSSSDKL54	309	YBPSSF2772	133	YBRR87	82
IPSI1542F	312	IPSSSDKL60	309	YBPSSF2778	133	YBRR90	82

<i>pattern no.</i>	<i>page</i>	<i>pattern no.</i>	<i>page</i>	<i>pattern no.</i>	<i>page</i>	<i>pattern no.</i>	<i>page</i>
YBRR93	82	YBTESBTS66	331	YBTRES60	337	YELA30	101
YBRS33	78	YBTESBTS72	331	YBTRES63	337	YELA36	101
YBRS39	78	YBTESBTS78	331	YBTRES66	337	YELA42	101
YBRS45	78	YBTESBTS84	331	YBTRES69	337	YELCD18	101
YBRS51	78	YBTESNNS48	333	YBTRES72	337	YELCD24	101
YBRS57	78	YBTESNNS54	333	YBTRES75	337	YELCD27	101
YBRS63	78	YBTESNNS60	333	YBTRES78	337	YELCD30	101
YBRS69	78	YBTESNNS66	333	YBTRES81	337	YELCD36	101
YBRS75	78	YBTESNNS72	333	YBTRES84	337	YELCM18	101
YBRS81	78	YBTESNNS78	333	YBTRES87	337	YELCM24	101
YBRS87	78	YBTESNNS84	333	YBTRES90	337	YELCM27	101
YBRS93	78	YBTEXBNE48	335	YBTRES93	337	YELCM30	101
YBRT105	78	YBTEXBNE54	335	YBTRES96	337	YELCM36	101
YBRT111	78	YBTEXBNE60	335	YBTRES99	337	YELD18	101
YBRT33	78	YBTEXBNE66	335	YBTREX102	338	YELD24	101
YBRT39	78	YBTEXBNE72	335	YBTREX54	338	YELD27	101
YBRT45	78	YBTEXBNE78	335	YBTREX57	338	YELD30	101
YBRT51	78	YBTEXBNE84	335	YBTREX60	338	YELD36	101
YBRT57	78	YBTEXBNI48	335	YBTREX63	338	YELD42	101
YBRT63	78	YBTEXBNI54	335	YBTREX66	338	YELDA18	106
YBRT69	78	YBTEXBNI60	335	YBTREX69	338	YELDA24	106
YBRT75	78	YBTEXBNI66	335	YBTREX72	338	YELDA27	106
YBRT81	78	YBTEXBNI72	335	YBTREX75	338	YELDA30	106
YBRT87	78	YBTEXBNI78	335	YBTREX78	338	YELDA36	106
YBRT93	78	YBTEXBNI84	335	YBTREX81	338	YELDA38	111
YBRT99	78	YBTEXBNS48	335	YBTREX84	338	YELDA50	111
YBTE	85, 236	YBTEXBNS54	335	YBTREX87	338	YELDA62	111
YBTESBNE48	332	YBTEXBNS60	335	YBTREX90	338	YELDD18	106
YBTESBNE54	332	YBTEXBNS66	335	YBTREX93	338	YELDD24	106
YBTESBNE60	332	YBTEXBNS72	335	YBTREX96	338	YELDD27	106
YBTESBNE66	332	YBTEXBNS78	335	YBTREX99	338	YELDD30	106
YBTESBNE72	332	YBTEXBNS84	335	YCB36	92	YELDD36	106
YBTESBNE78	332	YBTEXBTE48	334	YCB42	92	YELDD38	109
YBTESBNE84	332	YBTEXBTE54	334	YCB48	92	YELDD50	109
YBTESBNI48	332	YBTEXBTE60	334	YCB54	92	YELDD62	109
YBTESBNI54	332	YBTEXBTE66	334	YCB60	92	YELDH38	114
YBTESBNI60	332	YBTEXBTE72	334	YCB66	92	YELDH50	114
YBTESBNI66	332	YBTEXBTE78	334	YCB72	92	YELDH50B	115
YBTESBNI72	332	YBTEXBTE84	334	YCB78	92	YELDHB	115
YBTESBNI78	332	YBTEXBTI48	334	YCB84	92	YELDT50	118
YBTESBNI84	332	YBTEXBTI54	334	YCB90	92	YELDT50B	119
YBTESBNS48	332	YBTEXBTI60	334	YCB96	92	YELDTB	119
YBTESBNS54	332	YBTEXBTI66	334	YCBCC48	92	YELH24	101
YBTESBNS60	332	YBTEXBTI72	334	YCBCC54	92	YELH27	101
YBTESBNS66	332	YBTEXBTI78	334	YCBCC60	92	YELH30	101
YBTESBNS72	332	YBTEXBTI84	334	YCBCC66	92	YELH36	101
YBTESBNS78	332	YBTEXBTS48	334	YCBCC72	92	YELH42	101
YBTESBNS84	332	YBTEXBTS54	334	YCBCC78	92	YELP24	102
YBTESBTE48	331	YBTEXBTS60	334	YCBCC84	92	YELP27	102
YBTESBTE54	331	YBTEXBTS66	334	YCBE	92	YELP30	102
YBTESBTE60	331	YBTEXBTS72	334	YCBPE	92	YELP36	102
YBTESBTE66	331	YBTEXBTS78	334	YCBT36	92	YELSA18	104
YBTESBTE72	331	YBTEXBTS84	334	YCBT42	92	YELSA24	104
YBTESBTE78	331	YBTESNNS48	336	YCBT48	92	YELSA27	104
YBTESBTE84	331	YBTESNNS54	336	YCBT54	92	YELSA30	104
YBTESBTI48	331	YBTESNNS60	336	YCBT60	92	YELSA36	104
YBTESBTI54	331	YBTESNNS66	336	YCBT66	92	YELSA42	104
YBTESBTI60	331	YBTESNNS72	336	YCBT72	92	YELSA48	104
YBTESBTI66	331	YBTESNNS78	336	YCBT78	92	YELSCD24	104
YBTESBTI72	331	YBTESNNS84	336	YCBT84	92	YELSCD27	104
YBTESBTI78	331	YBTF8	346	YCBT90	92	YELSCD30	104
YBTESBTI84	331	YBTHS	346	YCBT96	92	YELSCD36	104
YBTESBTS48	331	YBTRES102	337	YELA18	101	YELSCD42	104
YBTESBTS54	331	YBTRES54	337	YELA24	101	YELSCD48	104
YBTESBTS60	331	YBTRES57	337	YELA27	101	YELSD18	104

<i>pattern no.</i>	<i>page</i>	<i>pattern no.</i>	<i>page</i>	<i>pattern no.</i>	<i>page</i>	<i>pattern no.</i>	<i>page</i>
YELSD24	104	YEP2640	139	YFC0948P	177	YFC2660NL	186
YELSD27	104	YEP2652	139	YFC0948S	176	YFC2660NP	185
YELSD30	104	YEP2658	139	YFC0948V	179	YFC2672NL	186
YELSD36	104	YEP2664	139	YFC0960C	176	YFC2672NP	185
YELSD42	104	YEP2676	139	YFC0960L	178	YFCC48	169
YELSD48	104	YEP2717	137	YFC0960P	177	YFCC60	169
YELSSAB22L	123	YEP2718	137	YFC0960S	176	YFCC72	169
YELSSAB22R	123	YEP2723	137	YFC0972C	176	YFCHOC	176
YELSSAB28L	123	YEP2724	137	YFC0972L	178	YFCOC	176
YELSSAB28R	123	YEP2726	137	YFC0972P	177	YFF2148	167
YELSSAB34L	123	YEP2727	137	YFC0972S	176	YFF2160	167
YELSSAB34R	123	YEP2729	137	YFC1412L	182	YFF2172	167
YELSSAF28L	125	YEP2730	137	YFC1412P	181	YFJE25	169
YELSSAF28R	125	YEP2735	137	YFC1412V	183	YFJE28	169
YELSSAF34L	125	YEP2736	137	YFC1424L	182	YFJL25	170
YELSSAF34R	125	YEP2841	141	YFC1424P	181	YFJL28	170
YELSSAF40L	125	YEP2853	141	YFC1424V	183	YFJT25	170
YELSSAF40R	125	YEP2859	141	YFC1436L	182	YFJT28	170
YELSSDB22L	122	YEP2865	141	YFC1436P	181	YFJV25	170
YELSSDB22R	122	YEP2877	141	YFC1436V	183	YFJV28	170
YELSSDB28L	122	YEP4253	144	YFC1448L	182	YFJX25	170
YELSSDB28R	122	YEP4259	144	YFC1448P	181	YFJX28	170
YELSSDB34L	122	YEP4265	144	YFC1448V	183	YFJY25	170
YELSSDB34R	122	YEP4277	144	YFC1460L	182	YFJY28	170
YELSSDF28L	124	YEP4953	144	YFC1460P	181	YFL25	167
YELSSDF28R	124	YEP4959	144	YFC1472L	182	YFL28	167
YELSSDF34L	124	YEP4965	144	YFC1472P	181	YFLSF	167
YELSSDF34R	124	YEP4977	144	YFC1712L	182	YFTC48	169
YELSSDF40L	124	YEP5653	144	YFC1712P	181	YFTC60	169
YELSSDF40R	124	YEP5659	144	YFC1712V	183	YFTC72	169
YEP1617	136	YEP5665	144	YFC1724L	182	YILDA1	111
YEP1618	136	YEPH3641	142	YFC1724P	181	YILDA35	111
YEP1623	136	YEPH3653	142	YFC1724V	183	YILDA38	111
YEP1624	136	YEPH3659	142	YFC1736L	182	YILDA48	111
YEP1626	136	YEPH3665	142	YFC1736P	181	YILDA50	111
YEP1627	136	YEPSSF2831L	141	YFC1736V	183	YILDA62	111
YEP1629	136	YEPSSF2831R	141	YFC1748L	182	YILDAV20	111
YEP1630	136	YEPSSF2837L	141	YFC1748P	181	YILDD1	110
YEP1635	136	YEPSSF2837R	141	YFC1748V	183	YILDD35	109
YEP1636	136	YEPSSF2840L	141	YFC1760L	182	YILDD38	109
YEP1717	136	YEPSSF2840R	141	YFC1760P	181	YILDD48	109
YEP1718	136	YEPSSF2843L	141	YFC1772L	182	YILDD50	109
YEP1723	136	YEPSSF2843R	141	YFC1772P	181	YILDD62	109
YEP1724	136	YEPSSF2849L	141	YFC2324NL	186	YILDDV20	109
YEP1726	136	YEPSSF2849R	141	YFC2324NP	185	YILDH35	114
YEP1727	136	YEPT4253	142	YFC2324NV	187	YILDH38	114
YEP1729	136	YEPT4259	142	YFC2336NL	186	YILDH50	114
YEP1730	136	YEPT4265	142	YFC2336NP	185	YILDHB	114
YEP1735	136	YFC0912C	176	YFC2336NV	187	YILDT35	118
YEP1736	136	YFC0912L	178	YFC2348NL	186	YILDTB	118
YEP1740	139	YFC0912P	177	YFC2348NP	185	YILSSAB20	123
YEP1752	139	YFC0912S	176	YFC2348NV	187	YILSSAB22	123
YEP1758	139	YFC0912V	179	YFC2360NL	186	YILSSAB26	123
YEP1764	139	YFC0924C	176	YFC2360NP	185	YILSSAB28	123
YEP1776	139	YFC0924L	178	YFC2372NL	186	YILSSAB34	123
YEP2617	137	YFC0924P	177	YFC2372NP	185	YILSSAF26	125
YEP2618	137	YFC0924S	176	YFC2624NL	186	YILSSAF28	125
YEP2623	137	YFC0924V	179	YFC2624NP	185	YILSSAF32	125
YEP2624	137	YFC0936C	176	YFC2624NV	187	YILSSAF34	125
YEP2626	137	YFC0936L	178	YFC2636NL	186	YILSSAF40	125
YEP2627	137	YFC0936P	177	YFC2636NP	185	YILSSDB20	122
YEP2629	137	YFC0936S	176	YFC2636NV	187	YILSSDB22	122
YEP2630	137	YFC0936V	179	YFC2648NL	186	YILSSDB26	122
YEP2635	137	YFC0948C	176	YFC2648NP	185	YILSSDB28	122
YEP2636	137	YFC0948L	178	YFC2648NV	187	YILSSDB34	122

<i>pattern no.</i>	<i>page</i>	<i>pattern no.</i>	<i>page</i>	<i>pattern no.</i>	<i>page</i>	<i>pattern no.</i>	<i>page</i>
YILSSDF26	124	YKTS4224SDHN	322	YKTS6030SDLN	324	YKTS8436SDCN	325
YILSSDF28	124	YKTS4224SDLN	322	YKTS6036SDCN	325	YKTS8436SDHN	325
YILSSDF32	124	YKTS4227SDCN	323	YKTS6036SDHN	325	YKTS8436SDLN	325
YILSSDF34	124	YKTS4227SDHN	323	YKTS6036SDLN	325	YKTS8442D	30
YILSSDF40	124	YKTS4227SDLN	323	YKTS6618SDCN	321	YKTS8442DG	31
YKME4DA	37	YKTS4230SDCN	324	YKTS6618SDHN	321	YKTS8442YDC	35
YKME7854HE	37	YKTS4230SDHN	324	YKTS6618SDLN	321	YKTS8442YHG	35
YKME7854NE	37	YKTS4230SDLN	324	YKTS6624SDCN	322	YKTT7236D	30
YKPTS3030D	32	YKTS4236SDCN	325	YKTS6624SDHN	322	YKTT7236DG	31
YKPTS3030L	32	YKTS4236SDHN	325	YKTS6624SDLN	322	YKTT7236SDCN	328
YKPTS3030M	32	YKTS4236SDLN	325	YKTS6627SDCN	323	YKTT7236SDHN	328
YKPTS3636D	32	YKTS4242D	30	YKTS6627SDHN	323	YKTT7236SDLN	328
YKPTS4242D	32	YKTS4242DG	31	YKTS6627SDLN	323	YKTT7236YDC	35
YKPTS4824D	32	YKTS4242SDCN	326	YKTS6630SDCN	324	YKTT7236YHG	35
YKPTS4848D	32	YKTS4242SDHN	326	YKTS6630SDHN	324	YKTT8442D	30
YKPTS5427D	32	YKTS4242SDLN	326	YKTS6630SDLN	324	YKTT8442DG	31
YKPTS6030D	32	YKTS4818SDCN	321	YKTS6636SDCN	325	YKTT8442YDC	35
YKPTS7236D	32	YKTS4818SDHN	321	YKTS6636SDHN	325	YKTT8442YHG	35
YKPTS8442D	32	YKTS4818SDLN	321	YKTS6636SDLN	325	YKTT9648D	30
YKTR36SDCN	327	YKTS4824D	30	YKTS7218SDCN	321	YKTT9648DG	31
YKTR36SDHN	327	YKTS4824DG	31	YKTS7218SDHN	321	YL4L17	282
YKTR36SDLN	327	YKTS4824SDCN	322	YKTS7218SDLN	321	YL4L31	282
YKTR36YDC	35	YKTS4824SDHN	322	YKTS7224SDCN	322	YL4L44	282
YKTR36YHG	35	YKTS4824SDLN	322	YKTS7224SDHN	322	YL4L58	282
YKTR36YMG	35	YKTS4827SDCN	323	YKTS7224SDLN	322	YMP1636	130
YKTR42D	30	YKTS4827SDHN	323	YKTS7227SDCN	323	YMP1642	130
YKTR42DG	31	YKTS4827SDLN	323	YKTS7227SDHN	323	YMP1648	130
YKTR42L	30	YKTS4830SDCN	324	YKTS7227SDLN	323	YMP1654	130
YKTR42LG	31	YKTS4830SDHN	324	YKTS7230SDCN	324	YMP1660	130
YKTR42M	30	YKTS4830SDLN	324	YKTS7230SDHN	324	YMP1666	130
YKTR42MG	31	YKTS4836SDCN	325	YKTS7230SDLN	324	YMP1672	130
YKTR42SDCN	327	YKTS4836SDHN	325	YKTS7236D	30	YMP1678	130
YKTR42SDHN	327	YKTS4836SDLN	325	YKTS7236DG	31	YMP1684	130
YKTR42SDLN	327	YKTS4848D	30	YKTS7236SDCN	325	YMP1736	130
YKTR42YDC	35	YKTS4848DG	31	YKTS7236SDHN	325	YMP1742	130
YKTR42YMG	35	YKTS5418SDCN	321	YKTS7236SDLN	325	YMP1748	130
YKTR48D	30	YKTS5418SDHN	321	YKTS7236YDC	35	YMP1754	130
YKTR48DG	31	YKTS5418SDLN	321	YKTS7236YHG	35	YMP1760	130
YKTS3030D	30	YKTS5424SDCN	322	YKTS7818SDCN	321	YMP1766	130
YKTS3030DC	31	YKTS5424SDHN	322	YKTS7818SDHN	321	YMP1772	130
YKTS3030L	30	YKTS5424SDLN	322	YKTS7818SDLN	321	YMP1778	130
YKTS3030LG	31	YKTS5427D	30	YKTS7824SDCN	322	YMP1784	130
YKTS3030M	30	YKTS5427DG	31	YKTS7824SDHN	322	YMP2636	131
YKTS3030MC	31	YKTS5427SDCN	323	YKTS7824SDLN	322	YMP2642	131
YKTS3618SDCN	321	YKTS5427SDHN	323	YKTS7827SDCN	323	YMP2648	131
YKTS3618SDHN	321	YKTS5427SDLN	323	YKTS7827SDHN	323	YMP2654	131
YKTS3618SDLN	321	YKTS5430SDCN	324	YKTS7827SDLN	323	YMP2660	131
YKTS3624SDCN	322	YKTS5430SDHN	324	YKTS7830SDCN	324	YMP2666	131
YKTS3624SDHN	322	YKTS5430SDLN	324	YKTS7830SDHN	324	YMP2672	131
YKTS3624SDLN	322	YKTS5436SDCN	325	YKTS7830SDLN	324	YMP2678	131
YKTS3627SDCN	323	YKTS5436SDHN	325	YKTS7836SDCN	325	YMP2684	131
YKTS3627SDHN	323	YKTS5436SDLN	325	YKTS7836SDHN	325	YMP2736	131
YKTS3627SDLN	323	YKTS6018SDCN	321	YKTS7836SDLN	325	YMP2742	131
YKTS3630SDCN	324	YKTS6018SDHN	321	YKTS8418SDCN	321	YMP2748	131
YKTS3630SDHN	324	YKTS6018SDLN	321	YKTS8418SDHN	321	YMP2754	131
YKTS3630SDLN	324	YKTS6024SDCN	322	YKTS8418SDLN	321	YMP2760	131
YKTS3636D	30	YKTS6024SDHN	322	YKTS8424SDCN	322	YMP2766	131
YKTS3636DG	31	YKTS6024SDLN	322	YKTS8424SDHN	322	YMP2772	131
YKTS3636SDCN	325, 326	YKTS6027SDCN	323	YKTS8424SDLN	322	YMP2778	131
YKTS3636SDHN	325, 326	YKTS6027SDHN	323	YKTS8427SDCN	323	YMP2784	131
YKTS3636SDLN	325, 326	YKTS6027SDLN	323	YKTS8427SDHN	323	YP3018	62
YKTS4218SDCN	321	YKTS6030D	30	YKTS8427SDLN	323	YP3024	62
YKTS4218SDHN	321	YKTS6030DG	31	YKTS8430SDCN	324	YP3027	63
YKTS4218SDLN	321	YKTS6030SDCN	324	YKTS8430SDHN	324	YP3030	63
YKTS4224SDCN	322	YKTS6030SDHN	324	YKTS8430SDLN	324	YP3036	64

<i>pattern no.</i>	<i>page</i>	<i>pattern no.</i>	<i>page</i>	<i>pattern no.</i>	<i>page</i>	<i>pattern no.</i>	<i>page</i>
YP3048	64	YP9627	63	YPE1527	69	YPSB2048F	189
YP3618	62	YP9630	63	YPE1530	69	YPSB2053	340
YP3624	62	YP9636	64	YPE1536	69	YPSB2053F	339
YP3627	63	YP9648	64	YPE1539	69	YPSB2054	191
YP3630	63	YPB3018	65	YPE1541	69	YPSB2054F	189
YP3636	64	YPB3024	65	YPE1552	69	YPSB2059	340
YP3648	64	YPB3027	65	YPE1553	69	YPSB2059F	339
YP4218	62	YPB3030	66	YPE1558	69	YPSB2060	191
YP4224	62	YPB3036	66	YPE1559	69	YPSB2060F	189
YP4227	63	YPB3618	65	YPE1564	69	YPSB2065	340
YP4230	63	YPB3624	65	YPE1565	69	YPSB2065FRR	339
YP4236	64	YPB3627	65	YPE1576	69	YPSB2066	191
YP4242	64	YPB3630	66	YPE1577	69	YPSB2066FRR	189
YP4248	64	YPB3636	66	YPE1841	69	YPSB2071	340
YP4818	62	YPB4218	65	YPE1853	69	YPSB2071FRR	339
YP4824	62	YPB4224	65	YPE1859	69	YPSB2072	191
YP4827	63	YPB4227	65	YPE1865	69	YPSB2072FRR	189
YP4830	63	YPB4230	66	YPE1877	69	YPSB2077	340
YP4836	64	YPB4236	66	YPH4818	67	YPSB2077FRR	339
YP4848	64	YPB4818	65	YPH4824	67	YPSB2083	340
YP5418	62	YPB4824	65	YPH4827	67	YPSB2083FRR	339
YP5424	62	YPB4827	65	YPH4830	68	YPSB2624	192
YP5427	63	YPB4830	66	YPH4836	68	YPSB2624F	190
YP5430	63	YPB4836	66	YPH5418	67	YPSB2627	192
YP5436	64	YPB5418	65	YPH5424	67	YPSB2627F	190
YP5448	64	YPB5424	65	YPH5427	67	YPSB2630	192
YP6018	62	YPB5427	65	YPH5430	68	YPSB2630F	190
YP6024	62	YPB5430	66	YPH5436	68	YPSB2636	192
YP6027	63	YPB5436	66	YPH6018	67	YPSB2636F	190
YP6030	63	YPB6018	65	YPH6024	67	YPSB2642	192
YP6036	64	YPB6024	65	YPH6027	67	YPSB2642F	190
YP6048	64	YPB6027	65	YPH6030	68	YPSB2647	340
YP6618	62	YPB6030	66	YPH6036	68	YPSB2647F	339
YP6624	62	YPB6036	66	YPH6618	67	YPSB2648	192
YP6627	63	YPB6618	65	YPH6624	67	YPSB2648F	190
YP6630	63	YPB6624	65	YPH6627	67	YPSB2653	340
YP6636	64	YPB6627	65	YPH6630	68	YPSB2653F	339
YP6648	64	YPB6630	66	YPH6636	68	YPSB2654	192
YP7218	62	YPB6636	66	YPH7218	67	YPSB2654F	190
YP7224	62	YPB7218	65	YPH7224	67	YPSB2659	340
YP7227	63	YPB7224	65	YPH7227	67	YPSB2659F	339
YP7230	63	YPB7227	65	YPH7230	68	YPSB2660	192
YP7236	64	YPB7230	66	YPH7236	68	YPSB2660F	190
YP7248	64	YPB7236	66	YPH7818	67	YPSB2665	340
YP7818	62	YPB7818	65	YPH7824	67	YPSB2665FRR	339
YP7824	62	YPB7824	65	YPH7827	67	YPSB2666	192
YP7827	63	YPB7827	65	YPH7830	68	YPSB2666FRR	190
YP7830	63	YPB7830	66	YPH7836	68	YPSB2671	340
YP7836	64	YPB7836	66	YPH8418	67	YPSB2671FRR	339
YP7848	64	YPB8418	65	YPH8424	67	YPSB2672	192
YP8418	62	YPB8424	65	YPH8427	67	YPSB2672FRR	190
YP8424	62	YPB8427	65	YPH8430	68	YPSB2677	340
YP8427	63	YPB8430	66	YPH8436	68	YPSB2677FRR	339
YP8430	63	YPB8436	66	YPSB2024	191	YPSB2683	340
YP8436	64	YPB9018	65	YPSB2024F	189	YPSB2683FRR	339
YP8442	64	YPB9024	65	YPSB2027F	189	YPSB3224	191
YP8448	64	YPB9027	65	YPSB2030	191	YPSB3224F	189
YP9018	62	YPB9030	66	YPSB2030F	189	YPSB3227	191
YP9024	62	YPB9036	66	YPSB2036	191	YPSB3227F	189
YP9027	63	YPB9618	65	YPSB2036F	189	YPSB3230	191
YP9030	63	YPB9624	65	YPSB2042	191	YPSB3230F	189
YP9036	64	YPB9627	65	YPSB2042F	189	YPSB3236	191
YP9048	64	YPB9630	66	YPSB2047	340	YPSB3236F	189
YP9618	62	YPB9636	66	YPSB2047F	339	YPSB3241	201
YP9624	62	YPE1524	69	YPSB2048	191	YPSB3241F	200

<i>pattern no.</i>	<i>page</i>	<i>pattern no.</i>	<i>page</i>	<i>pattern no.</i>	<i>page</i>	<i>pattern no.</i>	<i>page</i>
YPSB3242	191	YPSC1466FRR	194	YPSFF72	203	YR1DOC4U3H6N	158, 344
YPSB3242F	189	YPSC1472	195	YPSI1416	198	YR1DOC633C10N	158, 344
YPSB3248	191	YPSC1472FRR	194	YPSI1416F	197	YR1DOC633C6N	158, 344
YPSB3248F	189	YPSC2124	195	YPSI1418	198	YR1DOC633H6N	158, 344
YPSB3253	201	YPSC2124F	194	YPSI1418F	197	YR1DOC642C10N	158, 344
YPSB3253F	200	YPSC2130	195	YPSI1419	198	YR1DOC642C6N	158, 344
YPSB3254	191	YPSC2130F	194	YPSI1419F	197	YR1DOC642H6N	158, 344
YPSB3254F	189	YPSC2136	195	YPSI1422	198	YR1DX	151, 341
YPSB3259	201	YPSC2136F	194	YPSI1422F	197	YR1DXO	151, 341
YPSB3259F	200	YPSC2142	195	YPSI1424	198	YR1DXT	151, 341
YPSB3260	191	YPSC2142F	194	YPSI1424F	197	YR1DY	151, 341
YPSB3260F	189	YPSC2148	195	YPSI1427	198	YR1DYO	151, 341
YPSB3265	201	YPSC2148F	194	YPSI1427F	197	YR1DYT	151, 341
YPSB3265FRR	200	YPSC2154	195	YPSI1428	198	YR1DZ	151, 341
YPSB3266	191	YPSC2154F	194	YPSI1428F	197	YR1DZO	151, 341
YPSB3266FRR	189	YPSC2160	195	YPSI1430	198	YR1DZT	151, 341
YPSB3272	191	YPSC2160F	194	YPSI1430F	197	YR1EDPI	152, 173, 342
YPSB3272FRR	189	YPSC2166	195	YPSI1436	198	YR1EJ108	174
YPSB3277	201	YPSC2166FRR	194	YPSI1436F	197	YR1EJ12	154, 343
YPSB3277FRR	200	YPSC2172	195	YPSI2116	198	YR1EJ18	154, 174, 343
YPSB3824	192	YPSC2172FRR	194	YPSI2116F	197	YR1EJ24	154, 174, 343
YPSB3824F	190	YPSF1424	204	YPSI2118	198	YR1EJ30	154, 343
YPSB3827	192	YPSF1424F	203	YPSI2118F	197	YR1EJ36	154, 174, 343
YPSB3827F	190	YPSF1436	204	YPSI2119	198	YR1EJ42	154, 343
YPSB3830	192	YPSF1436F	203	YPSI2119F	197	YR1EJ48	154, 174, 343
YPSB3830F	190	YPSF1448	204	YPSI2122	198	YR1EJ54	154, 343
YPSB3836	192	YPSF1448F	203	YPSI2122F	197	YR1EJ60	154, 174, 343
YPSB3836F	190	YPSF1460	204	YPSI2124	198	YR1EJ66	154, 343
YPSB3841	201	YPSF1460F	203	YPSI2124F	197	YR1EJ72	154, 174, 343
YPSB3841F	200	YPSF1472	204	YPSI2127	198	YR1EJ84	174
YPSB3842	192	YPSF1472FRR	203	YPSI2127F	197	YR1EJ96	174
YPSB3842F	190	YPSF1724	204	YPSI2128	198	YR1EOM	173
YPSB3848	192	YPSF1724F	203	YPSI2128F	197	YR1EPIC12	294, 342
YPSB3848F	190	YPSF1736	204	YPSI2130	198	YR1EPIC20	294, 342
YPSB3853	201	YPSF1736F	203	YPSI2130F	197	YR1EPNY	152, 173, 342
YPSB3853F	200	YPSF1748	204	YPSI2136	198	YR1EVWMNY	153
YPSB3854	192	YPSF1748F	203	YPSI2136F	197	YR1PCC100	162, 173
YPSB3854F	190	YPSF1760	204	YPS3248	206	YR1PDCX	152, 173
YPSB3859	201	YPSF1760F	203	YR1BCC50	162, 296	YR1TCP	345
YPSB3859F	200	YPSF1772	204	YR1BCM10	163	YR1TCPC28	345
YPSB3860	192	YPSF1772FRR	203	YR1CB2712B	162	YR1TCPC30	345
YPSB3860F	190	YPSF2124	204	YR1CB3912B	162	YR1TDPI	152, 173, 342
YPSB3865	201	YPSF2124F	203	YR1CB6906B	162	YR1TJ108	174
YPSB3865FRR	200	YPSF2136	204	YR1CB6906H	162	YR1TJ12	154, 343
YPSB3866	192	YPSF2136F	203	YR1CB6906N	162	YR1TJ18	154, 174, 343
YPSB3866FRR	190	YPSF2148	204	YR1CB6906S	162	YR1TJ24	154, 174, 343
YPSB3872	192	YPSF2148F	203	YR1CB6912B	162	YR1TJ30	154, 343
YPSB3872FRR	190	YPSF2160	204	YR1CB6912H	162	YR1TJ36	154, 174, 343
YPSB3877	201	YPSF2160F	203	YR1CBB4	163	YR1TJ42	154, 343
YPSB3877FRR	200	YPSF2172	204	YR1CBB7	163	YR1TJ48	154, 174, 343
YPSC1424	195	YPSF2172FRR	203	YR1CBH	162	YR1TJ54	154, 343
YPSC1424F	194	YPSF2424	204	YR1CBX2	163	YR1TJ60	154, 174, 343
YPSC1430	195	YPSF2424F	203	YR1CC	162	YR1TJ66	154, 343
YPSC1430F	194	YPSF2436	204	YR1CMB	151, 341	YR1TJ7	154, 343
YPSC1436	195	YPSF2436F	203	YR1CP	152, 342	YR1TJ72	154, 174, 343
YPSC1436F	194	YPSF2448	204	YR1DA	151, 341	YR1TJ84	174
YPSC1442	195	YPSF2448F	203	YR1DB	151, 341	YR1TJ96	174
YPSC1442F	194	YPSF2460	204	YR1DC	151, 341	YR1TOM	173
YPSC1448	195	YPSF2460F	203	YR1DM4	158, 344	YR1TPIC12	294, 342
YPSC1448F	194	YPSF2472	204	YR1DM6	158, 344	YR1TPIC20	294, 342
YPSC1454	195	YPSF2472FRR	203	YR1DOC422C10N	158, 344	YR1TPNY	152, 173, 342
YPSC1454F	194	YPSFF24	203	YR1DOC422C6N	158, 344	YR1TPS24	345
YPSC1460	195	YPSFF36	203	YR1DOC422H6N	158, 344	YR1TVWMNY	153
YPSC1460F	194	YPSFF48	203	YR1DOC4U3C10N	158, 344	YR1VWM323	163
YPSC1466	195	YPSFF60	203	YR1DOC4U3C6N	158, 344	YR1VWM330	163

<i>pattern no.</i>	<i>page</i>	<i>pattern no.</i>	<i>page</i>	<i>pattern no.</i>	<i>page</i>	<i>pattern no.</i>	<i>page</i>
YR1VWM336	163	YSDXSS7715	236	YSFFF18N	213	YSMWM042	280
YR1XDA	173	YSDXUP	85, 233	YSFFF18R	213	YSMWM048	280
YR1XDB	173	YSFA	89, 213, 217	YSFFF24L	213	YSMWM060	280
YR1XDC	173	YSFB18	213	YSFFF24N	213	YSMWM072	280
YR1XDX	173	YSFB24	213	YSFFF24R	213	YSMWMS36L	280
YR1DXO	173	YSFBBF18L	213	YSFFF30L	213	YSMWMS42L	280
YR1DXOT	173	YSFBBF18N	213	YSFFF30N	213	YSMWMS48L	280
YR1XDY	173	YSFBBF18R	213	YSFFF30R	213	YSMWMS60L	280
YR1XDYO	173	YSFBBF24L	213	YSFSB	208	YSMWMS72L	280
YR1XDYT	173	YSFBBF24N	213	YSFSL423612	208	YSSD3615	278
YR1XDZ	173	YSFBBF24R	213	YSFSL423618	208	YSSD4215	278
YR1XDZO	173	YSFBBF30L	213	YSFSL424812	208	YSSD4815	278
YR1XDZT	173	YSFBBF30N	213	YSFSL424818	208	YSSD6015	278
YRC18D	152, 341	YSFBBF30R	213	YSFSL493612	208	YSSD7215	278
YRC18S	152, 341	YSFC2D2536	271	YSFSL493618	208	YSSDL3615	245
YRC30D	152, 341	YSFC2D2836	271	YSFSL494812	208	YSSDL4215	245
YRC30S	152, 341	YSFC2D4236	271	YSFSL494818	208	YSSDL4815	245
YRCE	152, 342	YSFC2D4936	271	YSFSR423612	208	YSSDL6015	245
YROF	151, 173, 341	YSFC2D5636	271	YSFSR423618	208	YSSDL7215	245
YRPHA18	151	YSFC2D02536	271	YSFSR424812	208	YSSDR3615	246
YRPHA30	151	YSFC2D02836	271	YSFSR424818	208	YSSDR4215	246
YRPHA42	151	YSFC2D05636	273	YSFSR493612	208	YSSDR4815	246
YRPHE12	151, 341	YSFC4D5636	271	YSFSR493618	208	YSSDR6015	246
YRPHE24	151, 341	YSFCBF2536	268	YSFSR494812	208	YSSDR7215	246
YRPHT12	151, 341	YSFCDASK27	264	YSFSR494818	208	YSSOF15L	229
YRPHT24	151, 341	YSFCDASK30	264	YSFWB30	217	YSSOF15V	230
YRPM361	156	YSFCDASK36	264	YSFWB36	217, 269	YSSOF21L	229
YRPM362	156	YSFCDE4927	263	YSFWDF30N	216	YSSOF21V	230
YRPMK	156	YSFCDE4930	263	YSFWDF36N	216	YSSOF24BL	229
YSAD21	224	YSFCDE4936	263	YSFWFF3018	216	YSSOF24BV	230
YSAD21NET	224	YSFCDEL4924	260	YSFWFF3024	216	YSSOF24L	229
YSAD27	224	YSFCDER4924	261	YSFWFF30N	216	YSSOF24V	230
YSAD27NET	224	YSFCDL4924	260	YSFWFF3618	216	YSSOF27BL	229
YSAD30	224	YSFCDL4927	260	YSFWFF3624	216	YSSOF27BV	230
YSADPADG	224	YSFCDL4930	260	YSFWFF36N	216	YSSOF27L	229
YSADPADN	224	YSFCDL4936	260	YSMOPDF18	219	YSSOF27V	230
YSCH	264	YSFCDO4924	263	YSMOPDF24	219	YSSOF33BL	229
YSCS1212	256	YSFCDO4927	263	YSMPDF18	219	YSSOF33BV	230
YSCS2412	256	YSFCDO4930	263	YSMPDF24	219	YSSOF33L	229
YSDPAD	220	YSFCDO4936	263	YSMUOS36	249	YSSOF33V	230
YSDXFB18	238	YSFCDR4924	261	YSMUOS42	249	YSSOS21L	229
YSDXFB24	238	YSFCDR4927	261	YSMUOS48	249	YSSOS21V	230
YSDXFB27	238	YSFCDR4930	261	YSMUOS60	249	YSSOS24BL	229
YSDXFB30	238	YSFCDR4936	261	YSMUOS72	249	YSSOS24BV	230
YSDXFB36	238	YSFCFF2836	268	YSMUSDL36L	250	YSSOS24L	229
YSDXFB53	238	YSFCO2D5636	273	YSMUSDL42L	250	YSSOS24V	230
YSDXFB59	238	YSFCOF2536	269	YSMUSDL48L	250	YSSOS27BL	229
YSDXFB65	238	YSFCOF2836	269	YSMUSDL60L	250	YSSOS27BV	230
YSDXFB77	238	YSFCOFF4236	268	YSMUSDL72L	250	YSSOS27L	229
YSDXOS1815	233	YSFCOFF4936	268	YSMUSDR36L	250	YSSOS27V	230
YSDXOS2415	233	YSFCOFF5636	268	YSMUSDR42L	250	YSSPAD	220
YSDXOS2715	233	YSFCOFF6736	268	YSMUSDR48L	250	YSSPF21	226
YSDXOS3015	233	YSFCOS2536	275	YSMUSDR60L	250	YSSPF21VL	227
YSDXOS3615	233	YSFCOS2836	275	YSMUSDR72L	250	YSSPF24	226
YSDXOS5315	236	YSFCOS4236	275	YSMUSOL36	249	YSSPF24B	226
YSDXOS5915	236	YSFCOS4936	275	YSMUSOL42	249	YSSPF24BVL	227
YSDXOS6515	236	YSFCOS5636	275	YSMUSOL48	249	YSSPF24VL	227
YSDXOS7715	236	YSFCOSO2536	275	YSMUSOL60	249	YSSPF27	226
YSDXSS2415	233	YSFCOSO2836	275	YSMUSOL72	249	YSSPF27B	226
YSDXSS2715	233	YSFCWD6736	266	YSMUSOR36	249	YSSPF27BVL	227
YSDXSS3015	233	YSFCWL4924	266	YSMUSOR42	249	YSSPF27VL	227
YSDXSS3615	233	YSFCWL6718	266	YSMUSOR48	249	YSSPF33	226
YSDXSS5315	236	YSFCWR4924	266	YSMUSOR60	249	YSSPF33B	226
YSDXSS5915	236	YSFCWR6718	266	YSMUSOR72	249	YSSPF33BVL	227
YSDXSS6515	236	YSFFF18L	213	YSMWM036	280	YSSPF33VL	227

<i>pattern no.</i>	<i>page</i>	<i>pattern no.</i>	<i>page</i>	<i>pattern no.</i>	<i>page</i>	<i>pattern no.</i>	<i>page</i>
YSUES3615	243	YT4218	42	YT8418	42	YTE1537	50
YSUES4815	243	YT4224	42	YT8424	42	YTE1539	50
YSUOP24	252	YT4227	43	YT8427	43	YTE1540	50
YSUOP30	252	YT4230	43	YT8430	43	YTE1541	50
YSUOP36	252	YT4236	44	YT8436	44	YTE1543	50
YSUOP48	252	YT4242	44	YT8442	44	YTE1549	50
YSUOP60	252	YT4248	44	YT8448	44	YTE1552	50
YSUOP72	252	YT4524	55	YT9018	42	YTE1553	50
YSUOS3615	243	YT4530	55	YT9024	42	YTE1558	50
YSUOS4215	243	YT4536	55	YT9027	43	YTE1559	50
YSUOS4815	243	YT4808	49	YT9030	43	YTE1564	50
YSUOS6015	243	YT4818	42	YT9036	44	YTE1565	50
YSUOS7215	243	YT4824	42	YT9048	44	YTE1576	50
YSUS2BT	254	YT4827	43	YT9618	42	YTE1577	50
YSUS2F25	254	YT4830	43	YT9624	42	YTE1841	50
YSUS2F28	254	YT4836	44	YT9627	43	YTE1853	50
YSUS3BT	254	YT4848	44	YT9630	43	YTE1859	50
YSUS3F25	254	YT5124	55	YT9636	44	YTE1865	50
YSUS3F28	254	YT5130	55	YT9648	44	YTE1877	50
YSUSDL3615	245	YT5136	55	YTD4818	47	YTH4818	45
YSUSDL4215	245	YT5408	49	YTD4824	47	YTH4824	45
YSUSDL4815	245	YT5418	42	YTD4827	47	YTH4827	45
YSUSDL6015	245	YT5424	42	YTD4830	48	YTH4830	46
YSUSDL7215	245	YT5427	43	YTD4836	48	YTH4836	46
YSUSDR3615	246	YT5430	43	YTD5418	47	YTH5418	45
YSUSDR4215	246	YT5436	44	YTD5424	47	YTH5424	45
YSUSDR4815	246	YT5448	44	YTD5427	47	YTH5427	45
YSUSDR6015	246	YT5724	55	YTD5430	48	YTH5430	46
YSUSDR7215	246	YT5730	55	YTD5436	48	YTH5436	46
YSUSNDL3615	243	YT5736	55	YTD6018	47	YTH6018	45
YSUSNDL4215	243	YT6008	49	YTD6024	47	YTH6024	45
YSUSNDL4815	243	YT6018	42	YTD6027	47	YTH6027	45
YSUSNDL6015	243	YT6024	42	YTD6030	48	YTH6030	46
YSUSNDL7215	243	YT6027	43	YTD6036	48	YTH6036	46
YSUSNDR3615	244	YT6030	43	YTD6618	47	YTH6618	45
YSUSNDR4215	244	YT6036	44	YTD6624	47	YTH6624	45
YSUSNDR4815	244	YT6048	44	YTD6627	47	YTH6627	45
YSUSNDR6015	244	YT6324	55	YTD6630	48	YTH6630	46
YSUSNDR7215	244	YT6330	55	YTD6636	48	YTH6636	46
YSWMO3615	278	YT6336	55	YTD7218	47	YTH7218	45
YSWMO4215	278	YT6608	49	YTD7224	47	YTH7224	45
YSWMO4815	278	YT6618	42	YTD7227	47	YTH7227	45
YSWMO6015	278	YT6624	42	YTD7230	48	YTH7230	46
YSWMO7215	278	YT6627	43	YTD7236	48	YTH7236	46
YSWMS3615	278	YT6630	43	YTD7818	47	YTH7818	45
YSWMS4215	278	YT6636	44	YTD7824	47	YTH7824	45
YSWMS4815	278	YT6648	44	YTD7827	47	YTH7827	45
YSWMS6015	278	YT6924	55	YTD7830	48	YTH7830	46
YSWMS7215	278	YT6930	55	YTD7836	48	YTH7836	46
YT3018	42	YT6936	55	YTD8418	47	YTH8418	45
YT3024	42	YT7208	49	YTD8424	47	YTH8424	45
YT3027	43	YT7218	42	YTD8427	47	YTH8427	45
YT3030	43	YT7224	42	YTD8430	48	YTH8430	46
YT3036	44	YT7227	43	YTD8436	48	YTH8436	46
YT3048	44	YT7230	43	YTDVC24484824	53	YTHVC24484824	53
YT3324	55	YT7236	44	YTDVC24545424	53	YTHVC24545424	53
YT3330	55	YT7248	44	YTDVC24606024	53	YTHVC24606024	53
YT3618	42	YT7808	49	YTDVC27484827	53	YTHVC27484827	53
YT3624	42	YT7818	42	YTDVC27545427	53	YTHVC27545427	53
YT3627	43	YT7824	42	YTDVC27606027	53	YTHVC27606027	53
YT3630	43	YT7827	43	YTE1524	50	YTHVS24484824	53
YT3636	44	YT7830	43	YTE1527	50	YTT24	57
YT3648	44	YT7836	44	YTE1530	50	YTT30	57
YT3924	55	YT7848	44	YTE1531	50	YTT36	57
YT3930	55	YT8408	49	YTE1536	50	YTT42	57

<i>pattern no.</i>	<i>page</i>	<i>pattern no.</i>	<i>page</i>
YTT47	57	YTTR4827	330
YTT4724	329	YTTR4830	330
YTT4727	329	YTTR5424	330
YTT4730	329	YTTR5427	330
YTT48	57	YTTR5430	330
YTT53	57	YTTR6024	330
YTT5324	329	YTTR6027	330
YTT5327	329	YTTR6030	330
YTT5330	329	YTTR6624	330
YTT59	57	YTTR6627	330
YTT5924	329	YTTR6630	330
YTT5927	329	YTTR7224	330
YTT5930	329	YTTR7227	330
YTT65	57	YTTR7230	330
YTT6524	329	YTVC24484824	53
YTT6527	329	YTVC24545424	53
YTT6530	329	YTVC24606024	53
YTT70	57	YTVC27484827	53
YTT71	57	YTVC27545427	53
YTT7124	329	YTVC27606027	53
YTT7127	329	YTVS24484824	53
YTT7130	329	YTWSHK118	59
YTT76	57	YTWSHK124	59
YTT77	57	YTWSHK130	59
YTT7724	329	YTWSHK136	59
YTT7727	329	YTWSHK142	59
YTT7730	329	YTWSHK148	59
YTT82	57	YTWSHK160	59
YTT83	57	YTWSHK172	59
YTT8324	329	YTWSHK218	59
YTT8327	329	YTWSHK224	59
YTT8330	329	YTWSHK230	59
YTT88	57	YTWSHK236	59
YTT89	57	YTWSHK242	59
YTT94	57	YTWSHK248	59
YTT95	57	YTWSHK260	59
YTTE18	58	YTWSHK272	59
YTTE24	58	YTY4624	55
YTTE30	58	YTY4627	55
YTTE36	58	YTY5224	55
YTTE42	58	YTY5227	55
YTTE48	58	YTY5824	55
YTTE60	58	YTY5827	55
YTTE66	58	YUBC3423	127
YTTE72	58	YUBC3429	127
YTTE78	58	YUBC4023	127
YTTE84	58	YUBC4029	127
YTTE87	58	YUBC4623	127
YTTE90	58	YUBC4629	127
YTTE96	58	YUBC5223	127
YTTM23	58	YUBC5229	127
YTTM29	58	YUBC5823	127
YTTM35	58	YUBC5829	127
YTTM41	58	YUBC6423	127
YTTM47	58	YUBC6429	127
YTTR3024	330	YUBC7023	127
YTTR3027	330	YUBC7029	127
YTTR3030	330	YUBT4629	127
YTTR3624	330	YUBT5229	127
YTTR3627	330	YUBT5829	127
YTTR3630	330	YUBT6429	127
YTTR4224	330	YUBT7029	127
YTTR4227	330	YUBY464616	127
YTTR4230	330	YUBY525216	127
YTTR4824	330	YUBY585816	127

Selling Policy

	<p>This Selling Policy supercedes all previous selling policies. Prices, discounts and product offerings are subject to change without notice.</p>
Terms & Conditions of Sales	<p>Sales by Knoll, Inc. or Knoll North America Corp. ("Seller") of Knoll Product Lines (hereinafter "Products") within the United States and Canada are made only on the terms which are contained in this Selling Policy. Seller hereby gives notice of its objection to any different or additional terms and conditions. This sale is expressly conditional upon Purchaser's assent to the terms and conditions set forth below. Additional terms and conditions may apply to KnollStudio and KnollTextiles orders. These terms and conditions may be modified or supplemented only by a written document signed by an authorized representative of Seller. These terms and conditions supercede any prior and/or contemporaneous agreements or correspondence between Purchaser and Seller. Written quotations expire thirty (30) days from the date of issuance and can be withdrawn by written notice anytime during that period. Where Purchaser and Seller have entered into the Knoll Electronic Terms and Conditions, all orders, acknowledgements, invoices and other business communications placed or transmitted in accordance with the Knoll Electronic Terms and Conditions shall be deemed to be in writing and signed and shall be valid for all purposes as if they were originated and maintained in documentary form.</p>
Ordering Information	<p>All orders must be in writing. The product pattern number(s) contained on Seller's order acknowledgement shall be the final expression of the order.</p>
Order Confirmation	<p>A purchase order is not binding on Seller until Purchaser has received Seller's order confirmation or acknowledgment.</p>
Pricing Policies	<p>List prices are subject to change without notice.</p> <p>List prices shall be those prices in effect on the date of receipt of a complete purchase order unless shipment is requested more than ninety (90) days after order entry in which case prices in effect on the date of shipment apply. List prices include specified freight costs. Unless specified in writing by Seller, no other charges are included in Seller's list prices.</p>
Taxes	<p>All sales, use, excise and other taxes applicable to the sale of the Products shall be paid by Purchaser. If Purchaser claims an exemption from any tax, Purchaser shall submit to Seller the appropriate exemption certificates.</p>
Terms of Payment	<p>Payment for one hundred percent (100%) of the net order amount is due within thirty (30) days of the date of invoice, which is generally issued upon shipment. In case of any discrepancies, such as shortages, and Seller is notified in writing within ten (10) days of receipt of Product, only that portion may be deducted and the balance paid. For orders greater than \$100,000 net, a fifty percent (50%) deposit is due at the time of order placement, with the remainder due within thirty (30) days of the date of invoice.</p> <p>KnollStudio orders less than \$2,000 require payment for one hundred percent (100%) of the net order amount (including any applicable sales tax and charges for inside delivery, special packaging, etc.), due at time of order placement. For KnollStudio orders greater than \$2,000, a one-half (50%) deposit is due at time of order placement with the remainder (including any applicable sales tax and charges for inside delivery, special packaging, etc.) due prior to shipment.</p> <p>If, in the judgment of Seller, Purchaser's financial condition does not justify the terms of the payment, Seller may require full or partial payment in advance.</p> <p>Past due accounts shall be charged one and one-half percent (1.5%) per month, or the highest rate permitted by law, whichever is less, and will be added to the outstanding balance. In the event Purchaser defaults on payment, Purchaser shall be liable for all collection costs, including reasonable attorney's fees and costs.</p>
Changes and Cancellation	<p>Purchase orders may not be changed or cancelled, in whole or in part, without prior written consent of Seller. Changes may effect delivery dates. Expenses incurred because of changes shall be charged to Purchaser. In the event of cancellations, Purchaser will be liable for reasonable cancellation charges established by Seller. Orders for special Product, orders including "COM" (hereinafter defined) material and orders pursuant to expedited delivery programs, may not be canceled.</p>
Freight Prepaid	<p>Freight is prepaid and included in the price of all Products, except KnollTextiles, within the 48 contiguous United States for orders placed with Knoll, Inc. and within Canada, excluding the Yukon, Northwest Territories, Nunavut and Newfoundland for orders placed with Knoll North America Corp. Packing is tested for rigorous motion and transportation but is not guaranteed to protect furniture from all conditions. If special packaging is required for any reason, please consult with your sales representative or dealer. Seller shall select the method of shipment and routing. Freight for all KnollTextiles orders is prepaid and added to the invoice.</p>
Delivery/Freight Charges	<p>Shipments outside the contiguous 48 United States and Canada shall be shipped F.O.B. Origin.</p> <p>For shipments outside the contiguous United States and Canada, Purchaser is responsible for the cost of freight from point of embarkation, including any handling and transportation charges incidental to loading at the point of departure and unloading at the final destination.</p> <p>Conditions beyond the control of Seller, including weather, available facilities and traffic conditions, may affect exact time of delivery. Seller shall not be responsible for specific carrier delivery date or time unless it has made a specific delivery commitment, in writing.</p> <p>Nonstandard methods of shipment and/or additional services are available upon request. Purchaser will be billed for the differential cost of any special services in excess of standard surface carrier freight costs. Premium charges, at Purchaser's request, will be added for airfreight, exclusive use of vehicle and extra, export or special packaging. Accessorial charges will be added for inside delivery, extra labor, reassignment and redelivery.</p> <p>Partial shipments may be made and invoiced by Seller.</p>
Claims	<p>All shipments for Knoll Products within the contiguous United States and Canada are F.O.B. Origin. All risk of loss passes to Purchaser at time of delivery to carrier. Purchaser shall inspect all Products upon receipt and notify Seller within ten (10) working days after receipt of any damage or defects which are, or should be, apparent from an inspection of the Product and its packaging. Failure of Purchaser to notify Seller during the ten (10) working day period shall constitute acceptance of the Products and waiver of any apparent defects, errors or shortages. For all claims relating to Product damaged in transit or for any other claims relating to or arising out of the transportation of the Product, Purchaser must seek recovery from the carrier and Seller has no liability to Purchaser for such claims. Seller may, upon request, assist Purchaser with filing of such claims with the carrier, but Seller will not be liable for any of these transportation related claims.</p>
Seller's Security Interest	<p>Until Seller receives the full payment for the Product, Seller shall have a security interest in the Product. Purchaser agrees to perform all acts, including but not limited to the execution and filing of documentation, which may be necessary to perfect and assure the security interest of Seller.</p>
Returns	<p>The return of Products without a written authorization by Seller shall not be accepted. To receive authorization for Product return, please call Customer Service. All Products that are returned pursuant to a valid authorization shall be subject to a twenty-five percent (25%) of list restocking charge. Products not currently offered for sale by Seller (including COM) shall not be authorized for return. All returned Products must be unused, in original condition and in the original Seller packing cartons. No refund or credit shall be given for damaged Products.</p>
Held Orders/Storage	<p>If Purchaser requests that an order be held or delayed, prices and terms and conditions in effect at the time of shipment shall apply. If Purchaser requests a delay after the time when Seller can defer production, Purchaser will be invoiced for the Product, payable in accordance with standard terms, when the order is ready for shipment. Seller may transfer the Product to storage, in which case all expenses incurred in connection with storage, including demurrage, preparation for storage, storage charges and handling shall be payable by Purchaser upon submission of invoices by Seller. Risk of loss to the Product shall pass to the Purchaser upon delivery of the Product into storage.</p>

Selling Policy

Customer's Own Material	A Purchaser who requests a fabric or other surface material not standard to Seller's line of Products ("COM") must submit samples of the requested material to Seller prior to entry of a purchaser order. Seller shall determine if the material is suitable to its manufacturing processes and meets any requirements of Underwriters Laboratories. If the COM is acceptable, Seller will then establish a price for using the COM or the Product in question. For a description of the procedures for submitting samples and testing, contact customer resources or your sales representative. Seller shall have no responsibility for the appearance, condition, performance, durability, colorfastness or any other physical attribute of the COM. Purchaser shall indemnify and hold Seller harmless for any damages, injuries or losses arising out of or related to use of the COM on the Product.
Warranty	<p>Seller warrants to the original Purchaser only that the Products Seller manufactures and sells to Purchaser are free of defects in workmanship and materials, during the applicable warranty period set forth below.</p> <p>Warranty period set forth below is for 24-hour, 7 days a week, multi shift use (includes parts and labor to repair).</p> <p>Should any failure to conform with this limited warranty appear to a Product listed below during the applicable warranty period from the date of shipment, Seller shall, upon prompt written notice, repair or replace, at its option and costs, the affected part or parts.</p> <p><i>Product and Period of Warranty</i></p> <p><i>Lifetime: Antenna Workspaces, AutoStrada, Calibre, Crinion Open Table, Currents, Dividends Horizon, Morrison, Reff Profiles laminate, Series 2 Storage, Template and other non-wood components (except cascade edge worksurfaces, operational parts, controls, electrical, Lighting, Series 2 Veneer Front Storage, special or custom products, see below)</i></p> <p><i>12 Years: Chadwick, Essentials Work Chairs, Generation by Knoll, Life, Moment, MultiGeneration by Knoll, ReGeneration by Knoll, Remix, RPM, Sapper and Toboggan seating (except seating upholstery, textiles, leathers and finishes, see below).</i></p> <p><i>10 Years: Anchor Storage except digital keypad lock, Antenna Workspaces, AutoStrada, Crinion Open Table, Dividends Horizon, Dividends Horizon Satellite Surfaces, Reff Profiles, Template wood components, Series 2 Veneer Front Storage, cascade edge worksurfaces, Wood Casegoods (The Graham Collection) (except wood casegoods upholstered surfaces, see below), Reuter overheads, Reuter vertical storage, KnollExtra Sapper Monitor Arm Collection, Sapper XYZ Monitor Arm, Adjustable keyboard mechanisms and platforms, Communication Boards (except fabric board textiles, see below), Smokador collection (except leathers, see below), and Orchestra Universal Systems Accessories, k. lounge structural components.</i></p> <p><i>5 Years: Operational parts, controls, electrical, Lighting (except light ballasts, bulbs and power supply, see below), special or custom product, wood veneer products, Currents handcrank, Interaction Counterforce, KnollStudio, Spark Series seating structural elements, structural elements of all KnollStudio outdoor products including all Richard Schultz designed products, KnollExtra CPU storage and all universal storage drawers and Power Collection, Tone Tables.</i></p> <p><i>3 Years: Seating upholstery, textiles, leathers and finishes. Fabric boards textiles and Smokador Collection leathers.</i></p> <p><i>2 Years: Anchor Storage digital keypad lock, all other KnollExtra product</i></p> <p><i>1 Year: Light ballasts, bulbs and power supply, seating upholstered amp pads and soft amp pads, wood casegoods upholstered surfaces. KnollStudio, outdoor product finishes, k. lounge upholstery and k. lounge fabric.</i></p> <p>This warranty does not apply to:</p> <ul style="list-style-type: none">• Damage caused by a carrier other than the Seller.• Normal wear and tear or acts or omissions of parties other than Seller (including user modification, improper use or installation of Products).• COM or other third party materials applied to Products.• Products not installed by or under the auspices of a Knoll Dealer.• Dramatic temperature variations or exposure to unusual conditions.• Changes in surface finishes, including colorfastness due to aging or exposure to light.• Clear paint finish applied to Antenna Workspaces steel or aluminum part.• Except as specifically noted above, textiles and upholstery supplied by <i>KnollTextiles</i> (consult current <i>KnollTextiles</i> price list for applicable warranty). <p>Natural variations occurring in wood, marble, and leather shall not be considered defects, and the Seller does not guarantee the colorfastness or matching of the colors, grains or textures, or surface hardness of such materials. The Seller also does not guarantee the colorfastness of fiberglass panel surfaces. THE EXPRESS WARRANTIES CONTAINED HEREIN ARE IN LIEU OF ALL OTHER WARRANTIES, EXPRESS OR IMPLIED, INCLUDING ANY WARRANTIES OF MERCHANTABILITY AND FITNESS FOR PARTICULAR PURPOSE AND ALL OTHER WARRANTIES ARISING FROM COURSE OF DEALING OR USAGE OF TRADE.</p> <p>The remedies provided above are the Purchaser's sole remedies for any failure of Seller to comply with its obligations regarding the workmanship of its Products. Correction of any nonconformity in the manner and for the period of time provided shall constitute complete fulfillment of all liabilities of Seller, with respect to or arising out of the Product furnished hereunder.</p>
Delay/Force Majeure	Seller shall not be liable for failure to perform or for delay in performance due to fire, flood, strike or other labor difficulty, act of God, act of any governmental authority or of the Purchaser, riot, embargo, fuel or energy shortage, wrecks or delay in transportation, inability to obtain necessary labor, materials or manufacturing facilities from usual sources or failure of suppliers to meet their contractual obligations, or due to any cause beyond its reasonable control. If any such event occurs, Seller may extend delivery dates by a period of time necessary to overcome the effect of such delay, allocate available Product or cancel any purchase order.
Compliance with Law	PURCHASER IS SOLELY RESPONSIBLE FOR COMPLIANCE WITH ALL APPLICABLE FEDERAL, STATE AND LOCAL LAWS, ORDINANCES, REGULATIONS, RULES AND STANDARDS RELATING TO THE INSTALLATION, MAINTENANCE, USE AND OPERATION OF THE PRODUCTS.
Patents	<p>Subject to the following provisions, Seller shall, at its own expense, defend or, at its option, settle any claim, suit or proceeding brought against the Purchaser, and/or its vendees, mediate and immediate, so far as based on an allegation that any Product or any part thereof furnished hereunder constitutes a direct or a contributory infringement of any claim of any patent of the United States or Canada. This obligation shall be effective only if Purchaser shall have made all payments then due hereunder and if Seller is notified promptly in writing and given authority, information and assistance for the defense of said claim, suit or proceeding. Seller shall pay all damages and costs awarded in such suit or proceedings so defended.</p> <p>The foregoing indemnity does not apply to the following:</p> <ul style="list-style-type: none">• Products supplied according to a design other than that of Seller, and which is required by the Purchaser.• Combination of the Product with another product not furnished hereunder unless Seller is a contributory infringer.• Any settlements of a suit or proceeding made without Seller's written consent.
Limitations of Liability	<p>SELLER, ITS CONTRACTORS, AUTHORIZED DEALERS AND SUBCONTRACTORS OR SUPPLIERS OF ANY TIER SHALL NOT BE LIABLE TO PURCHASER FOR ANY SPECIAL, INDIRECT, INCIDENTAL OR CONSEQUENTIAL DAMAGES ARISING FROM A BREACH OF THIS AGREEMENT.</p> <p>Purchaser's remedies set forth herein are exclusive and the liability of Seller with respect to the breach of this agreement or any contract entered into between the parties pursuant hereto shall not exceed the price of the Product or part on which such liability is based.</p>

KnollKey Lock Program

KnollKey Lock Program General Information

Following is the KnollKey lock policy, applicable to all products.

Knoll furniture can be ordered keyed-alike or random keyed. Key-alike and random keying instructions cannot be mixed on any single order. Only one of the two instructions can be used on an individual order. When an order is submitted with mixed (key-alike and random) instructions, Knoll will release the order as key-alike only and lock cores will have to be specified separately.

Key-alike

For the convenience of the user, furniture may be keyed alike at no charge. Write "Key-alike" in the description of your purchase order for any pedestal, overhead, file or other item you wish to have keyed alike.

Using the key-alike instructions, order cores and keys as line items on your purchase order. Do NOT submit a key-alike form. The Knoll East Greenville Lock Center will select key numbers from the standard range of K 001 - K 250. Key numbers will not be repeated unless over 250 sets are ordered. Lock cores keyed-alike will ship separately from the product, ready for field installation.

There is no charge for key-alike orders if placed with the furniture order.

IF THE KEY-ALIKE ORDER IS NOT PLACED AT LEAST TWO WEEKS PRIOR TO THE FURNITURE SHIP DATE, A \$50 HANDLING CHARGE AND AIR FREIGHT CHARGES WILL APPLY.

If product is ordered and shipped random-keyed, additional lock cores for key-alike are billable.

Random-Keying

To specify product keyed-random, write "key-random" in the product description. Random-keyed product is shipped with the lock core factory installed. A shrouded key is included. Random means no effort has been made to match key numbers, or to make them different.

Keys

A Knoll shrouded key is shipped with every lock core. 250 Key numbers are available. For numbers above 250, contact Custom Product Development. Additional keys and key blanks are available. See service parts for more information.

Master Keying

Knoll locks can be controlled by means of a master key. There is no additional per-lock charge for master keying. A letter of approval from the client must accompany orders for master keys.

Installing Lock Cores

Lock cores can be installed or removed in the field by using a change key. Cores must be in the unlocked position to be removed. See service parts for change key pattern number and pricing.

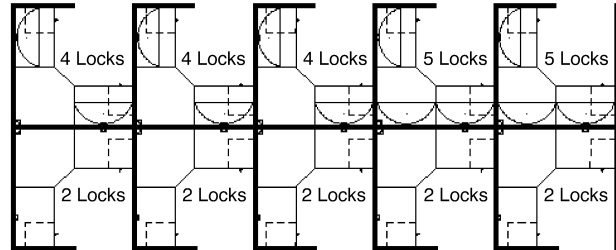
Lock Distribution

All orders for key-alike lock cores/keys are packaged and shipped from the East Greenville Lock Center, regardless of where the pedestals, overhead, or other units are produced. Random keyed product will have cores factory-installed.

How to Specify Key-Alike

Following is an example of how to specify key-alike for a cluster of 10 workstations.

Step 1 - Using the project floorplan, count the number of locks in each workstation.



Step 2 - Count the number of workstations with the same quantity of locks. Group together the workstations with a like number of locks.

5 workstations with 2 locks per station
3 workstations with 4 locks per station
2 workstations with 5 locks per station

Step 3 - For the first group (5 sets of 2 locks), enter the number of workstations in the quantity column.

Qty	Pattern #	Description	Unit List	Ext. List
5				

Step 4 - Then enter the pattern number "KSPEC_ _" and add a suffix for the number of locks for that group (i.e., for 2 locks per station, add the suffix "2"). Up to 30 lock cores are available in a set (i.e., KSPEC 30).

Qty	Pattern #	Description	Unit List	Ext. List
5	KSPEC 2	Set of 2 cores/keys	N / C	N / C

Step 5 - Repeat for other groups.

Qty	Pattern #	Description	Unit List	Ext. List
5	KSPEC 2	Set of 2 cores/keys	N / C	N / C
3	KSPEC 4	Set of 4 cores/keys	N / C	N / C
2	KSPEC 5	Set of 5 cores/keys	N / C	N / C

Your Key instructions are complete.

Knoll will select key numbers for each set from 250 available numbers. Additional key numbers are available through Custom Product Development. **For additions to existing installations, specify desired key numbers in the description.**

Service Parts

Pattern #	Description	List Price
KKEY_ _ _	Shrouded Key Specify key number desired	\$10
KBLANK	Shrouded Key Blank	\$10
KSPECB_ _ _	Retrofit Universal Core/Key Specify key number desired	\$22
KCHANGE	Change Key	\$10
HLKRKMASTER*	Master Key	\$10

*Note: A letter of approval on company letterhead from the client must accompany all orders for master keys.

General Ordering Information

The Products

This guide encompasses all standard products for this product group.

Sizes

Dimensions listed in this guide are indicated as:

H = height

W = width

D = depth

Dia. = diameter

Rad. = radius

Pricing

All prices shown are list.

How to Order

Select pattern numbers and quantities required for your complete installation. Product questions can be addressed in the specific sections of this guide or by contacting your sales representative or customer resource representative at 1-800-343-5665.

Next, select options (if required), along with colors and finishes appropriate to each product. Reference the Finishes and Fabrics pages for color designations.

On large installations, an item's "designated area" can be specified to assist in product organization and handling.

To expedite complete / correct entry of your order, be certain all pattern numbers, quantities, colors and area identifications are completely specified. Also, include complete purchase order numbers, bill-to and ship-to addresses, a contact name and specific factory shipping dates required.

Mail all orders to:

Knoll, Inc.
1235 Water Street
P.O. Box 157
East Greenville, PA 18041
Attention: Order Entry

Once your order is entered at Knoll, an acknowledgment will be mailed to you. You will be advised of your scheduled shipping date within five days of the original acknowledgment. If it is necessary to revise your order, please contact your customer resource representative.

Sustainability Statement

Sustainable design is a key component of Knoll's environmental focus. Our commitment to social responsibility and a healthy environment has prompted us to further articulate our longstanding environmental programs and, with encouragement and support from our colleagues in the industry, we have re-energized our focus on such "green" initiatives as life cycle analysis and LEED™ certification. Knoll is proud to have contributed to projects that have received LEED certification from the U.S. Green Building Council.

For the latest information on Knoll products that help our customers achieve LEED certification, log on to knoll.com, click on "About Knoll" and then "Environmental Focus."