

# Antenna Workspaces

Price List  
December 2015



**Knoll**

Introduction	Knoll and Sustainable Design	4	
	Antenna Workspaces and Sustainable Design	5	
	Using the Antenna Workspaces Price List	6	
	Material and Finish Options	7	
	Material and Finish Matrix	8	
	KnollTextiles Approved for Screens and Fabric Inserts	13	
	KnollTextiles and Spinneybeck for Pedestal Cushions	15	
	Grain Direction Planning Guidelines	16	
	Wall Mounting Guidelines for Cabinets	18	
	Antenna Workspaces Concept	20	
	Introduction of Basic Elements	21	
	Fundamental Planning Overview	29	
Preconfigured Desks and Tables	Antenna Leg Base Tables	30	
	Y-base tables	34	
	Media Enclave	37	
Tops	Scope Overview of Antenna Tops	39	
	Planning Guidelines for Antenna Tops	41	
	Antenna Tops For Desks or Big Tables	43	
	Antenna Hinged Access Tops for Big Tables	46	
	Antenna Centered Hinged Access Tops for Big Tables	48	
	Antenna Back Tops for Single Sided Big Tables	50	
	Antenna Extension Tops for Desks and Big Tables	51	
	Antenna Tops for 120° Planning	52	
	Antenna Tops For C-Leg and T-Leg Tables	55	
	Antenna Tops and Worksurface Shelves for Template	57	
	Scope Overview of Overlay Tops	61	
	Planning Guidelines for Overlay Tops	62	
	Overlay Tops for Desks	63	
	Overlay Benching Tops for Desks and Big Tables	66	
	Overlay Hinged Access Tops for Big Tables	68	
	Overlay Extension Tops for Desks and Big Tables	70	
	Desk and Table Support	Planning Guidelines for Desks and Tables	71
		Planning Guidelines for Dual Sided Big Tables	72
		Planning Guidelines for Single Sided Big Tables	73
		Stability Guidelines for Desks, Tables and Big Tables	75
Starter and Extended Rails		78	
Return and Bridge Rails		82	
Desk Connectors		85	
Desk Support Adapters		87	
Components for Reconfigurations		91	
Center Beam for Big Tables		92	
Sapper Monitor Arm for Antenna Center beam		94	
Keyboard Tray and CPU Holder Mounts		95	
Scope Overview of Legs		97	
Legs for Desks or Returns		100	
Legs for Table Desks		104	
Legs for Back to Back Desks		106	
Legs for Dual Sided Big Tables		108	
Legs for Standing Height Dual Sided Big Tables		113	
Legs for Single Sided Big Tables		121	
Legs for C-Leg and T-Leg Tables		127	
Modesty Panels for Desks or Returns	130		
Back Panels for Single Sided Big Tables	133		
End Panels	137		
Enclave End Panels	147		
Sales and Installation Tools	149		

Power and Communications	Planning Guidelines for Electrical Components	152
	Electrical Components for Desks and Big Tables	156
	Surface Mounted Plugmold Raceway	160
	Desktop Outlet Center	162
	Cable Management	164
Fence Components	Planning Guidelines for Fence	169
	Fence Structure	171
	Fence Connectors and Trim	173
	Electrical Components for Fence	176
	Upper Covers	181
	Lower Covers	186
Screens	Full Covers	190
	Desk Screens	194
	Big Table Screens	199
	Intermediate Screens	202
	End Screens for Dual Big Table	205
	Fence Screens	208
	S Screens	211
Storage Components	Floorstanding Desk Screens	213
	Storage Planning Guidelines and Specifications	215
	Scope Overview of Pedestals	216
	Pedestals	217
	Scope Overview of Suspended Storage	227
	Laptop Drawer	229
	Suspended Storage	231
	Extension Cabinets	237
	Scope Overview of Stanchion Mounted Storage	245
	Stanchion Mounted Wood Storage	247
	Stanchion Mounted Metal Storage	253
	Stanchion Mounted Platform	257
	Stanchion Supports	259
	Cantilever Shelves	261
	Scope Overview of Floorstanding Cabinets	263
	Floorstanding Personal Desk-End Cabinets	265
	Floorstanding Shared Desk-End Cabinets	268
	Floorstanding Desk-End Cabinet Accessories	270
	Floorstanding L and Wardrobe Cabinets	271
	Floorstanding File Cabinets	273
	Floorstanding Enclosed Shelf Cabinets	276
	Floorstanding Partially Enclosed Shelf Cabinets	278
	Floorstanding Open Shelf Cabinets	280
Scope Overview of Wall Mounted Cabinets	282	
Wall Mounted Wood Cabinets	283	
Wall Mounted Metal Cabinets	285	
LED Task Lights	287	
Interpole Components	Planning Guidelines for Interpole	289
	Scope Overview of Interpole Poles and Covers	292
	Interpole Poles and Covers	293
	Interpole Power Components	297
	Interpole Accessories	301
	Scope Overview of Interpole Screens	304
	Interpole Screens	305
	Scope Overview of Interpole Mounted Storage	316
	Interpole Horizontal Wood Storage	318
	Interpole Vertical Wood Storage	327
	Antenna Simple Tables	Antenna Simple Tables
Antenna Simple Table Modesty Panels		344
Modesty Panels for Simple Tables		345

Antenna Telescope	Scope Overview of Telescope Tops	347
	Planning Guidelines for Telescope Tops	348
	Antenna Telescope Tops for Adjustable Dual Tables	349
	Antenna Telescope Return Tops for Dual Tables	350
	Planning Guidelines for Telescope Dual Tables	351
	Antenna Telescope Dual Table Bases	352
	Antenna Telescope Return Bases	359
	Desk Screens for Telescope Dual Tables	362
	Center Screens for Telescope Dual Tables	365
	Electrical Components for Telescope Dual Tables	368
	Telescope Power and Cable Management	370
	Telescope Accessories	375
Selling Policy		386
KnollKey Lock Program		388
General Ordering Information		389

# Knoll and Sustainable Design

---

Each year Knoll sets key initiatives in our journey to sustainability. We are members of a global consortium on energy, have adopted a scientific, metrics-based approach to sustainable product design, and maintain a leadership position in establishing universal, verifiable, sustainability standards for our industry.

Knoll promotes independent third-party certification because it provides the most impartial and trustworthy foundation for industry-wide environmental compliance. Certification by established and respected third parties ensures that all manufacturers are held to the same high standards and that customers can trust a company's declaration about the environmental benefits of its products. Knoll third-party partners include: the International Standards Organization (ISO); Forest Stewardship Council (FSC®); Rainforest Alliance; GREENGUARD® Environmental Institute; and The Business and Institutional Furniture Manufacturer's Association (BIFMA) level® certification from Scientific Certification Systems (SCS).

In addition, Knoll is aligned with the U.S. Green Building Council and can help companies, healthcare organizations and educational institutions achieve Leadership in Energy and Environmental Design (LEED®) workplace certification.

## Global Climate Change

- Knoll is a sponsor of the Clinton Global Initiative, which brings together a community of global leaders to devise and implement solutions to some of the world's most pressing challenges, including environmental change.
- Knoll has a comprehensive Energy Management Program to increase energy efficiency in products and processes.

## Life Cycle Assessment (LCA) Tool

- Life Cycle Assessment is a science-based measurement of a product's environmental impacts throughout its life cycle, from raw materials sourcing through manufacture, shipping, use and re-use or end-of-life. LCA enables cradle-to-cradle implementation of sustainable practices.
- Knoll has partnered with The Green Standard.org to develop an affordable, universal ISO-compliant computer-based LCA tool that can be used by the entire contract furniture industry and is partnering on the development of an Environmental Product Declaration System (EPDs) for Knoll products. EPDs are verified documents containing LCA results and additional environmental performance information about a product.

## Setting Industry Standards

- Knoll partners with MTS (The Institute for Market Transformation to Sustainability) to develop the SMaRT® Consensus Sustainable Products Standards, a set of consensus-based sustainable product standards based on the LEED® model, for all building products, fabric, apparel, flooring and carpet. MTS, the developer of SMaRT®, is an accredited American National Standards Institute (ANSI) standard developer.
- Knoll also partners with BIFMA (Business and Institutional Furniture Manufacturers Association) to promote level® sustainability standards for the contract furniture industry.
- Knoll has established FSC® (Forest Stewardship Council) certified wood as the standard for general office open plan office systems, casegoods and tables.
- Knoll has launched Full Circle, a resource recovery program developed with ANEW, to help customers extend the life cycle of surplus furniture, fixtures and equipment (FF&E) in an economically, socially and environmentally responsible manner.
- Our goal is to encourage all manufacturers in the contract furniture industry and related industries to adopt standards that will lead to sustainable products and practices.

*For more information about Knoll and sustainable design, visit [knoll.com/environment](http://knoll.com/environment).*

Antenna Workspaces is a new approach to workplace design that reflects the freedom and mobility people seek in today's office. Antenna Workspaces considers the growing variety of settings where work takes place and blends desks, tables, storage units and screens to create intuitive solutions for individuals and groups. A natural extension of the Knoll commitment to protect the biosphere, conserve natural resources and reduce waste, Antenna Workspaces is environmentally responsible in manufacturing process and materials.

Antenna is Level 3 certified by ANSI/BIFMA, and is GREENGUARD Children and Schools Indoor Air Quality Certified. GREENGUARD certification is recognized by the U.S. Green Building Council's LEED Program. Antenna Workspace can contribute to LEED certification for Existing Buildings, Commercial Interiors and New Construction.

Visit [GREENGUARD.org](http://GREENGUARD.org) for more information and to find printable certificates for Antenna Workspaces that can be used for verification and LEED submission. Material content for a complete, average Antenna Workspaces workstation is 13.13% post-consumer recycled content, and 47.7% post-industrial recycled content.

Antenna Workspaces environmentally responsible manufacturing processes and materials include:

**PVC-free**

Laminate top edge band material is PVC-free ABS. Acrylonitrile Butadiene Styrene (ABS) is a polymer used as an alternative to PVC and rubber. It is phthalate-free, flame retardant, has high heat and impact resistance, good processability, dimensional stability and high gloss.

**Fiberglass-Free**

Fabric screens utilize PET tackable material with 25% pre-consumer recycled content.

**FSC-Certified**

Wood components are standard FSC certified with North American hardwood veneers.

**Recovered Particleboard**

Antenna tops and fabric screens have FSC certified, 100% recovered particleboard cores.

**VOC-Free Finishes**

Water-based wood stains and UVcured polyurethane wood top coats are virtually VOC-free.

**VOC-Free Adhesives**

Water-based adhesives used to adhere laminate and veneer to substrate are 99% VOC-free.

**Recycled Steel**

Legs and rails have 30-45% recycled steel content.

**Recycled Aluminum**

Cradles that connect legs and rails have 44% recycled content cast aluminum.

**Recycled Fabric**

Screens are available with 100% recycled content fabric.



---

**An Overview**

The introduction section of the Price List includes a visual index of product components, an explanation of material, finish and fabric options, grain direction planning guidelines and an introduction to the basic elements and planning guidelines for Antenna Workspaces.

The product portion of the Price List starts with a section of preconfigured desks and tables, orderable by a single pattern number, and continues with an outline of the Antenna Workspaces scope by individual product categories. Products include tops, desk and table support, power and communications, fence components, screens and storage components.

**Can't find it?** Consult the Table of Contents on page 2 or the Alphanumeric Index at the end of the Price List.

The Knoll selling policy, warranty, KnollKey lock program and general ordering information are also located in the back of the Price List.

**Product Information on Each Page**

The Antenna Workspaces Price List was designed to provide you with everything you need to know in order to understand, plan and specify Antenna Workspaces. On each page, the following features will assist you:

The ***description*** explains salient features, capabilities, materials and size.

The ***type*** gives helpful planning information either in regard to product applications or quantities of products.

The ***dimensions*** provide nominal width, depth and height of the product.

The ***pattern number*** is the specific code required to order the size and material desired.

The ***ordering information*** outlines exactly how to specify Antenna Workspaces product and the full scope of finish options.

The ***order code*** provides an example of how one pattern number is specified.

The ***included with*** section identifies all other items that will be included with the product.

The ***options section*** lists all finish, material and feature options available on the product.

**Use the Following Addresses**

If you would like to send a standard lead time order to our order entry department, please use the following address:

**For North American orders:**

Knoll, Inc.  
1235 Water Street  
East Greenville, PA 18041  
Attn: Order Entry  
Tel: 800 343-KNOLL

All accepted orders will be confirmed in writing on the Knoll standard order confirmation form.

**Ship-Complete Orders**

Orders that must ship complete are to be so stated on the purchase order. Products with different lead times, combined on one order, can be acknowledged for shipment based on the longest of those lead times.

Orders not marked "ship complete" will be released according to the confirmation and invoiced in increments.

**For More Information**

For more information, contact your Knoll sales representative, a Knoll dealer, or telephone Customer Service at **1-800-343-KNOLL**.

For specific product applications for each finish refer to the finish matrix on the following pages.

## KNOLL CORE LAMINATES

### Solid Colors

111	Jet Black*
114	Folkstone Grey* (S)
115	Medium Grey*
117	Soft Grey*
118	Bright White* (S)
119	Pumice*
128	Fog*

(S) S Screen finish option

### Patterned

121	Micro Grey
122	Brushed Sand
123	Brushed Grey
129	Micro Sand

Brushed Sand (122) and Brushed Grey (123) are not available on laminate screens 60" and wider and on modesty or end panels of any size.

### Wood Grain

124	Medium Cherry*
125	Natural Maple*
126	Natural Cherry*
127	Walnut*
139	Light Ash*
140	Warm Ash*
141	Whitened Ash*
142	Grey Ash*
143	Classic Oak*
144	Graphite Pear*
145	Zebra*

\*Matching edgeband available

### ACCENT LAMINATE

130	Dark Red
131	Slate Blue
132	Olive Green
133	Canary Yellow
134	Knoll Red

Accent Laminates are only available on the interior of laminate storage cabinets.

## COLOR CORE LAMINATES

311	Solid Gallery White
312	Solid Folkstone

## MARKERBOARD LAMINATE

M	Markerboard
---	-------------

## GLASS SCREENS

TEMP	Clear
GL13	Powder
GL35	Grey Tinted

## GLASS TOPS

TEMP	Clear
GL13	Powder
GL85	Starfire Clear
GL35	Grey Tinted
GL11	Back Painted Black
GL45	Back Painted White

## PLATED FINISH

PD	Chrome
----	--------

## ANODIZED FINISH

AA	Anodized Aluminum
----	-------------------

## KNOLL CORE PAINTS

111T	Jet Black
112T	Brown
113T	Dark Grey
114T	Folkstone Grey
115T	Medium Grey
116T	Sandstone
117T	Soft Grey
118T	Bright White
611T	Beige Mist Metallic
612T	Medium Metallic Grey
613	Silver

## ACCENT PAINTS

130	Dark Red
131	Slate Blue
138	Clear*

\*Available on select base components.

## COMBINATION LAMINATE

Laminate storage cabinets may be specified with different laminate finishes on the exterior and interior of the case.

## KNOLL CORE VENEERS

### V1 Techwoods

Y316	Maple Techwood
Y319	Cherry Techwood
Y323	Medium Walnut Techwood
Y326	Dark Mahogany Techwood
Y329	Medium Oak Techwood
Y342	Medium Teak Techwood
Y344	Espresso Techwood
Y811	Natural Techwood
Y821	Blond Maple Techwood
Y831	Light Cherry Techwood
Y851	Black Oak Techwood
Y881	Light Walnut Techwood
Y882	Dove Grey Techwood
Y883	Pangar Wenge

### V2 Techwoods

Y841	Ebony Techwood
Y861	Grigio Techwood
Y884	White Pine

### V2 Natural Veneers

V312	Bronze Cherry
V316	Maple
V319	Medium Cherry
V411	Light Walnut
V412	Natural Cherry
V413	Sand Oak
V414	Natural Oak
V415	Peacock Green Walnut
V417	Old English Walnut
V421	Chalk Oak
V423	Light Oak
V433	Light Fawn Cherry
V436	Medium Brown Cherry
V439	Straight Anigre
V440	Natural Hemlock

### V3 Natural Veneers

V512	Figured Anigre
V514	Makore
V515	Figured Sycamore
V517	Sapele
V518	Natural Chestnut

Overlay tops specified with a veneer top and/or edge are available in any V1, V2 or V3 finish except for the following three veneers:

- Medium Teak (Y342)
- Dark Grey Oak (Y343) *Legacy*
- Dove Grey (Y882)
- Pangar Wenge (Y883)
- Ebony (Y841)
- Grigio (Y861)



Product Description	No Finish Option	Antenna Approved Fabrics	Knoll Core Solid Color Laminates	Knoll Core Patterned Laminates	Knoll Core Wood Grain Laminates	Accent Laminates	Color Core Laminates	Markerboard Laminate	Glass	Plated Finish	Knoll Core Paints	Accent Paints	Knoll Core Veneers
<b>Preconfigured Desks and Big Tables</b>													
Antenna Leg Base Tables													
	Top Finish		*	*	*				*				*
	Edge Finish (Laminate Only)		*		*								*
	Leg/Cradle Finish									*	*	*	
Y-base Tables													
	Top Finish		*	*	*								*
	Edge Finish (Laminate Only)		*		*								*
	Base Finish										*	*	
	Grommet Finish										*	*	
<b>Tops</b>													
Antenna Tops													
	Top Finish		*	*	*								*
	Edge Finish (Laminate Only)		*		*								*
Overlay Tops													
	Top Finish						*						*
	Edge Finish (Laminate Only)												*
<b>Desk and Table Support</b>													
Rails													
											*	*	
Desk Connectors													
											*	*	
Desk Support Adapters													
											*	*	
Components for Reconfigurations													
											*	*	
Center Beam for Big Tables													
											*	*	
KnollExtra Sapper Mounts for Desks and Big Tables													
											*	*	
KnollExtra Keyboard Tray and CPU Holder Mounts													
	*												
End Legs and Intermediate Legs													
											*	*	
Standing Height Intermediate Leg Brace <i>(chrome only)</i>													
									*				
Table Desk End Legs													
	Leg Finish									*	*	*	
	Cradle Finish										*	*	
Modesty, Back Panels and End Panels													
	Surface Finish		*	*							*		*
	Bracket Finish										*		
<b>Power and Communications</b>													
Electrical Components													
	*												
Power Harness Mounting Brackets													
											*	*	
Raceway Covers													
											*	*	
Raceway End Caps													
											*	*	
Desktop Outlet Center													
	*												
Desk Mount Outlet Center Shroud													
											*	*	

Product Description	No Finish Option	Antenna Approved Fabrics	Knoll Core Solid Color Laminates	Knoll Core Patterned Laminates	Knoll Core Wood Grain Laminates	Accent Laminates	Color Core Laminates	Markerboard Laminate	Glass	Plated Finish	Knoll Core Paints	Accent Paints	Knoll Core Veneers
Communications Outlet Mounts											*	*	
Cable Baskets and Mount Kits	*												
Vertical Wire Manager											*		
Cable Clips	*												
<b>Fence Components</b>													
Frames	*												
Individual Legs											*		
Stabilizer Foot											*		
Crown Top Caps											*		
Flat Ends											*		
Connectors											*		
Electrical Components	*										*		
Upper Outlet Covers											*		
Upper Cable Tray Covers											*		
Upper Slatwall Covers											*		
Upper/Lower/Full Painted Covers											*		
Upper/Lower/Full Laminate Covers			*	*									
Upper/Lower/Full Veneer Covers													*
<b>Screens</b>													
<b>Desk Screens</b>													
	Surface Finish	*	*	*				*					*
	Frame Finish Finish (Fabric Only)										*		
	Bracket Paint Finish										*		
<b>Center Screens</b>													
	Surface Finish	*	*	*				*	*				*
	Frame Finish Finish (Fabric Only)										*		
	Bracket Paint Finish										*	*	
<b>Intermediate Screens</b>													
	Surface Finish	*	*	*				*	*				*
	Frame Finish Finish (Fabric Only)										*		
	Bracket Paint Finish										*	*	
<b>End Screens for Big Table</b>													
	Surface Finish		*	*				*					
	Bracket Finish										*	*	
<b>Enclave End Panel</b>													
	Surface Finish		*	*				*					
<b>Fence Screens</b>													
	Surface Finish	*	*	*				*	*				*
	Frame Finish Finish (Fabric Only)										*		
	Bracket Paint Finish										*		

Product Description	No Finish Option	Antenna Approved Fabrics	Knoll Core Solid Color Laminates	Knoll Core Patterned Laminates	Knoll Core Wood Grain Laminates	Accent Laminates	Color Core Laminates	Markerboard Laminate	Glass	Plated Finish	Knoll Core Paints	Accent Paints	Knoll Core Veneers
<b>S Screens (See Material &amp; Finish Options Page for Exceptions)</b>													
	Surface Finish		*										
	Bracket Paint Finish										*		
<b>Floorstanding L Screens</b>													
	Vertical Surface Finish		*	*									*
	Bracket Paint Finish										*		
<b>Storage Components</b>													
Edge Pull										*	*	*	
Insert Pull										*			
Loop Pull											*	*	
<b>Metal Pedestals</b>													
	Drawer Front Finish		*	*	*						*		*
	Case Finish										*		
	Pull Finish									*	*	*	
Seat Cushion		*											
Pencil Tray	*												
Laptop Drawer											*		
Drawer Pad	*												
Cable Net	*												
<b>Suspended Wood File</b>													
	Case Finish Exterior		*										*
	Case Finish Interior		*			*							*
	Door Finish		*										*
	Pull Finish									*	*	*	
	Bracket Paint Finish										*	*	
<b>Suspended Open Cabinets</b>													
	Case Finish Exterior		*										*
	Case Finish Interior		*			*							*
	Bracket Paint Finish										*	*	
<b>Extension Cabinets</b>													
	Case Finish Exterior		*										*
	Case Finish Interior		*			*							*
Fabric Inserts for Extension Cabinets		*											
Mounting Brackets for Extension Cabinets											*	*	

Product Description	No Finish Option	Antenna Approved Fabrics	Knoll Core Solid Color Laminates	Knoll Core Patterned Laminates	Knoll Core Wood Grain Laminates	Accent Laminates	Color Core Laminates	Markerboard Laminate	Glass	Plated Finish	Knoll Core Paints	Accent Paints	Knoll Core Veneers
Stanchion Mounted Open/Enclosed Wood Cabinets													
Case Finish Exterior			*										*
Case Finish Interior			*			*							*
Stanchion Mounted Cabinet Door Sets													
Door Finish			*										*
Pull Finish										*	*	*	
Stanchion Mounted Open Metal Cabinets													
Stanchion Mounted Shared Metal Cabinets													
Case Finish											*		
Door Finish											*		
Pull Finish											*	*	
Platforms													
			*										*
Stanchions													
											*	*	
Cantilever Shelf													
Shelf Finish			*	*									*
Bracket Paint Finish											*	*	
Desk-End Open Cabinets													
Case/Shelves Finish			*										*
Bracket Paint Finish											*		
Desk-End Enclosed Cabinets													
Case/Door Finish			*										*
Pull Finish										*	*	*	
Bracket Paint Finish											*		
Desk-End Cabinet Shelf Set													
			*										*
Floorstanding L Cabinets													
Case/Shelves/Door Finish			*										*
Pull Finish										*	*	*	
File, Enclosed & Partially Enclosed Cabinets													
Case/Shelves/Door Finish			*										*
Pull Finish										*	*	*	
Open Shelf Cabinets													
Case/Shelves Finish			*										*
Shelf Finish			*										*
Wall Mounted Wood Cabinets													
Case Exterior Finish			*										*
Case Interior Finish			*			*							*

Product Description		No Finish Option	Antenna Approved Fabrics	Knoll Core Solid Color Laminates	Knoll Core Patterned Laminates	Knoll Core Woodgrain Laminates	Accent Laminates	Color Core Laminates	Markerboard Laminate	Glass	Plated Finish	Knoll Core Paints	Accent Paints	Knoll Core Veneers	Anodized Aluminum	Knoll Bright White Paint Only	Knoll Silver Paint Only	Black/White
Wall Mounted Wood Cabinet Door Sets																		
	Door Finish			*										*				
	Pull Finish										*	*	*					
LED Task Light		*																
Wall-Mounted Metal Enclosed Cabinets																		
	Case Finish											*						
	Door Finish											*						
	Pull Finish											*	*					
LED Task Light		*																
<b>Interpole</b>																		
Poles																		
	Pole Extrusion														*	*		
	Covers														*	*		
	Leveler Caps	*																
Electrical Components																		
	Power Components	*																
	Duplex Outlets																	*
	Edge Liner	*																
Accessories																		
	Outlet Covers														*	*		
	Cable Clips	*																
	Ceiling Tile Trim Kit															*	*	
	Extension Pole Hardware Kit	*																
	Cantilever Shelf			*										*				
	Shelf Support Bracket										*	*						
	Coat Hook											*	*					
	Bag Hook											*	*					
	Round Platform	*																
	Round Platform L-Bracket										*	*						
Screens																		
	Surface Finish		*						*	*								
	Frame Finish													*	*			
Storage																		
	Case Finish Exterior			*										*				
	Case Finish Interior			*			*											
	Door Finish			*										*				
	Pull Finish										*	*	*					
	Support Bracket Paint Finish										*	*						

**KnollTextiles Approved for Screens and Fabric Inserts**

**Grade 10**

Annex (W1360)\*  
 Beacon (W1597)\*  
 Broadcloth II (W1619)  
 Circuit (W1754)\*  
 Element (W1077)  
 Foundation (W351)  
 Growth Spurt (W692)  
 Pivot (W1926)  
 Skylark (W1718)  
 Symbolic Details (W693)  
 Tailor Made II (W1610)\*  
 Twister (W1923)  
 Versatility (W432)

**Grade 20**

Bauhaus Block (W296)  
 Circle Line (W1146)  
 Clarity (W281)  
 Criss Cross (W305)

Delite (K2026)  
 Logic (W1318)  
 Mainframe (W1783)  
 Nematic II (W1620)  
 Photon II (W1695)  
 Reflect (W884)  
 Resolution (W280)  
 Weave Three (W298)

**Grade 30**

Basket Draft (W249)  
 Flow (W565)  
 Harmony (W232)  
 Micro (W465)  
 Relay (W1020)

**Grade 40**

Amplify (W1215)  
 Bandwidth (W1219)  
 Hourglass (K1523)  
 Ornament (W1078)  
 Palladium (W1030)  
 Spellbound (W1464)

**Grade 50**

Presto (K1000)

**Grade 55**

Ransom (K1298)  
 Transition (W816)

**Note:** Fabric is only applied railroaded (RR) for fabric screens wider than 60" wide.

**COM (Customer's Own Material)**

COM can be applied to Antenna Workspaces product on a select basis. Please consult your Knoll Customer Service Representative for details on the COM approval process and testing requirements. Pricing for COM fabrics is at Grade 10.

**Note:** Always contact your Customer Service Representative prior to sending any COM (including pre-approved KnollTextiles) to the manufacturing facility.

**COM Yardage Requirements for Screens and Fabric Inserts**

The total yardage is for both sides of the screen.

\*Select colors not available

	Pattern Number	Total Yards Required			
		66" wide COM	54" wide COM	Railroaded 66" wide COM	Railroaded 54" wide COM
<b>DESK MOUNTED SCREENS</b>	YPSB3824F	1.14	1.14	1.48	1.48
	YPSB3827F	1.14	2.28	1.64	1.64
	YPSB3830F	1.14	2.28	1.8	1.8
	YPSB3836F	2.28	2.28	2.14	2.14
	YPSB3842F	2.28	2.28	2.48	2.48
	YPSB3848F	2.28	2.28	2.8	2.8
	YPSB3853F	2.28	3.1	3.1	3.1
	YPSB3854F	2.28	3.14	3.14	3.14
	YPSB3859F	2.28	3.44	3.44	3.44
	YPSB3860F	2.28	3.48	3.48	3.48
	YPSB3865FRR	3.78	3.78	3.78	3.78
	YPSB3866FRR	3.8	3.8	3.8	3.8
	YPSB3872FRR	4.14	4.14	4.14	4.14
	YPSB3224F	0.96	0.96	1.48	1.48
	YPSB3227F	0.96	1.9	1.64	1.64
	YPSB3230F	0.96	1.9	1.8	1.8
	YPSB3236F	1.9	1.9	2.14	2.14
	YPSB3242F	1.9	1.9	2.48	2.48
	YPSB3248F	1.9	1.9	2.8	2.8
	YPSB3253F	3.1	3.1	1.9	0
	YPSB3254F	1.9	3.14	3.14	3.14
	YPSB3259F	1.9	3.44	3.44	3.44
	YPSB3260F	1.9	3.48	3.48	3.48
	YPSB3265FRR	3.78	3.78	3.78	3.78

	Pattern Number	Total Yards Required			
		66" wide COM	54" wide COM	Railroaded 66" wide COM	Railroaded 54" wide COM
<b>DESK MOUNTED SCREENS</b>	YPSB3266FRR	3.8	3.8	3.8	3.8
	YPSB3272FRR	4.14	4.14	4.14	4.14
	YPSB3277FRR	4.44	4.44	4.44	4.44
	YPSB2624F	0.8	0.8	0.74	1.48
	YPSB2627F	0.8	1.58	0.82	1.64
	YPSB2630F	0.8	1.58	0.9	1.8
	YPSB2636F	1.58	1.58	1.08	2.14
	YPSB2642F	1.58	1.58	1.24	2.48
	YPSB2648F	1.58	1.58	1.4	2.8
	YPSB2654F	1.58	3.14	1.58	3.14
	YPSB2660F	1.58	3.48	1.74	3.48
	YPSB2666FRR	1.9	3.8	1.9	3.8
	YPSB2672FRR	2.08	4.14	2.08	4.14
	YPSB2024F	0.62	0.62	0.5	0.74
	YPSB2027F	0.62	1.22	0.56	0.82
	YPSB2030F	0.62	1.22	0.6	0.9
	YPSB2036F	1.22	1.22	0.72	1.08
	YPSB2042F	1.22	1.22	0.84	1.24
	YPSB2048F	1.22	1.22	0.94	1.4
	YPSB2054F	1.22	1.58	1.06	1.58
	YPSB2060F	1.22	1.74	1.16	1.74
	YPSB2066FRR	1.28	1.9	1.28	1.9
YPSB2072FRR	1.38	2.08	1.38	2.08	

	Pattern Number	Total Yards Required			
		66" wide COM	54" wide COM	Railroaded 66" wide COM	Railroaded 54" wide COM
<b>FENCE SCREENS</b>	YPSF2124F	0.66	0.66	0.74	0.74
	YPSF2136F	1.3	1.3	1.08	1.08
	YPSF2148F	1.3	1.3	1.4	1.4
	YPSF2160F	1.3	1.74	1.74	1.74
	YPSF2172FRR	2.08	2.08	2.08	2.08
	YPSF1424F	0.46	0.46	0.38	0.5
	YPSF1436F	0.92	0.92	0.54	0.72
	YPSF1448F	0.92	0.92	0.7	0.94
	YPSF1460F	0.92	1.16	0.88	1.16
	YPSF1472FRR	1.04	1.38	1.04	1.38
	YPSF2424F	0.74	0.74	0.74	0.74
	YPSF2436F	1.48	1.48	1.08	1.08
	YPSF2448F	1.48	1.48	1.4	1.4
	YPSF2460F	1.48	1.74	1.74	1.74
	YPSF2472FRR	2.08	2.08	2.08	2.08
	YPSF1724F	0.56	0.56	0.5	0.74
	YPSF1736F	1.1	1.1	0.72	1.08
	YPSF1748F	1.1	1.1	0.94	1.4
	YPSF1760F	1.1	1.74	1.16	1.74
	YPSF1772FRR	1.38	2.08	1.38	2.08











	Pattern Number	Total Yards Required			
		66" wide COM	54" wide COM	Railroaded 66" wide COM	Railroaded 54" wide COM
<b>BIG TABLE SCREENS</b>	YPSC2124F	0.66	0.66	0.74	0.74
	YPSC2130F	0.66	1.3	0.9	0.9
	YPSC2136F	1.3	1.3	1.08	1.08
	YPSC2142F	1.3	1.3	1.24	1.24
	YPSC2148F	1.3	1.3	1.4	1.4
	YPSC2154F	1.3	1.58	1.58	1.58
	YPSC2160F	1.3	1.74	1.74	1.74
	YPSC2166FRR	1.9	1.9	1.9	1.9
	YPSC2172FRR	2.08	2.08	2.08	2.08
	YPSC1424F	0.46	0.46	0.38	0.5
	YPSC1430F	0.46	0.92	0.46	0.6
	YPSC1436F	0.92	0.92	0.54	0.72
	YPSC1442F	0.92	0.92	0.62	0.82
	YPSC1448F	0.92	0.92	0.7	0.94
	YPSC1454F	0.92	1.06	0.8	1.06
	YPSC1460F	0.92	1.16	0.88	1.16
	YPSC1466FRR	0.96	1.28	0.96	1.28
	YPSC1472FRR	1.04	1.38	1.04	1.38

	Pattern Number	Total Yards Required			
		66" wide COM	54" wide COM	Railroaded 66" wide COM	Railroaded 54" wide COM
<b>INTERMEDIATE SCREENS</b>	YPSI1416F	0.28	0.42	0.28	0.36
	YPSI1418F	0.28	0.42	0.3	0.4
	YPSI1419F	0.28	0.42	0.32	0.42
	YPSI1422F	0.42	0.42	0.36	0.46
	YPSI1424F	0.42	0.42	0.38	0.5
	YPSI1427F	0.42	0.84	0.42	0.56
	YPSI1428F	0.42	0.84	0.44	0.58
	YPSI1430F	0.42	0.84	0.46	0.62
	YPSI1436F	0.84	0.84	0.54	0.72
	YPSI2116F	0.4	0.6	0.36	0.54
	YPSI2118F	0.4	0.6	0.4	0.58
	YPSI2119F	0.4	0.6	0.42	0.62
	YPSI2122F	0.6	0.6	0.46	0.7
	YPSI2124F	0.6	0.6	0.5	0.76
	YPSI2127F	0.6	1.2	0.56	0.84
	YPSI2128F	0.6	1.2	0.58	0.86
	YPSI2130F	0.6	1.2	0.62	0.92
	YPSI2136F	1.2	1.2	0.72	1.08

	Pattern Number	Total Yards Required			
		66" wide COM	54" wide COM	Railroaded 66" wide COM	Railroaded 54" wide COM
<b>FABRIC INSERTS</b>	YSDXFB18	0.15	0.22	0.14	0.18
	YSDXFB24	0.22	0.22	0.18	0.24
	YSDXFB27	0.22	0.43	0.2	0.26
	YSDXFB30	0.22	0.43	0.22	0.29
	YSDXFB3015	0.22	0.43	0.22	0.29
	YSDXFB36	0.43	0.43	0.26	0.35
	YSDXFB53	0.22	0.43	0.2	0.27
	YSDXFB59	0.22	0.43	0.22	0.3
	YSDXFB5915	0.22	0.43	0.22	0.3
	YSDXFB65	0.43	0.43	0.24	0.32
	YSDXFB6515	0.43	0.43	0.24	0.32













	Pattern Number	Total Yards Required			
		66" wide COM	54" wide COM	Railroaded 66" wide COM	Railroaded 54" wide COM
<b>INTERPOLE SCREENS</b>	IPSC6436NLF	1.83	1.83	1.09	n/a
	IPSC6436TLF	1.83	1.83	1.09	n/a
	IPSC6442NLF	1.83	1.83	1.26	n/a
	IPSC6442TLF	1.83	1.83	1.26	n/a
	IPSC6448NLF	1.83	1.83	1.42	n/a
	IPSC6448TLF	1.83	1.83	1.42	n/a
	IPSC6454NLF	1.83	n/a	1.59	n/a
	IPSC6454TLF	1.83	n/a	1.59	n/a
	IPSC6460NLF	1.83	n/a	1.76	n/a
	IPSC6460TLF	1.83	n/a	1.76	n/a

**Knoll Textiles Options  
for Mobile Pedestal  
Seat Cushions**
**Grade A**


Alignment   
 Basket Draft  
 Beacon  
 Bocce   
 Cat's Cradle   
 Chance  
 Common Ground   
 Computer Cloth   
 Delite  
 Dristi  
 Heavy Metal  
 Hourglass  
 Mariner  
 Monarch   
 Prep   
 Presto   
 Reflect  
 Soliloquy  
 Sonnet   
 Stacks  
 Trophy 

**Grade B**

Abacus   
 Argyle  
 Backdrop  
 Bank Shot   
 Belize  
 Bistro   
 Boundary   
 Cameo  
 Chroma   
 Close Knit  
 Chronicle   
 Dovetail   
 Ferry  
 Forza  
 Framework   
 Galla II   
 Grande  
 Grandview  
 Holbrook  
 Journey   
 Keaton  
 Knoll Felt   
 Knoll Hopsack   
 Ludlow  
 Lyric  
 Mini Stitch   
 Night Life

Nonchalant CR  
 Paradigm  
 Petal Pusher  
 Pogo   
 Pop  
 Prairie  
 Prim   
 Radiance  
 Ransom   
 Ricochet   
 Roam  
 Rush Hour  
 Soiree   
 Spark   
 Spotlight  
 Spree   
 Sutton   
 Synth   
 Tabloid  
 Utmost  
 Venue  
 Versa   
 Vinyl  
 Wide Angle   
 Westwood  
 Zipline 

**Grade C**

Atlas  
 Axiom  
 Baxter  
 Biota   
 Cairo  
 Charm  
 Circa  
 Classic Boucle   
 Dahlia CR  
 Durand  
 Earthwork   
 Empire Stripe  
 Entourage   
 Fable CR  
 Fibra  
 Fox Trot CR  
 Greenwich  
 Hudson  
 Kora CR  
 Lagos  
 Legend CR  
 Lore CR  
 Magnolia  
 Metro  
 Milestone

Moto CR  
 Palisade  
 Panache CR  
 Noble  
 Pony Up   
 Quark  
 Regard CR  
 Roundtrip  
 Sahara  
 Sandpiper CR  
 Sequin CR  
 Sinclair  
 Smart  
 Spectator   
 Spot On  
 Star Struck  
 Stepping Stones  
 Swing  
 Tight Rope  
 Tilden  
 Treble CR  
 Tower Grid  
 Vibe  
 Zari CR


**Grade D**

Cavalier  
 Compass CR  
 Coterie  
 Eclat Weave  
 Harrison  
 Hologram  
 Ikat Stripe  
 Masquerade  
 Menagerie  
 Obi  
 Origins  
 Theory  
 Zoom


**Grade E**

Cross Stitch   
 Highland  
 Ikat Square  
 Kampala  
 Katazome  
 Kimono  
 Mamba  
 Marquee  
 Meroe  
 Sherman  
 Tryst  
 Whip

**Grade F**

Atelier  
 Biscayne  
 Century  
 Coco  
 Cornaro  
 Cuddle Cloth  
 Glider  
 Groove Line  
 Icon  
 Intrigue  
 Jubilee  
 Kinship   
 Liberty  
 Mod Plaid  
 Rivington  
 Soon  
 Topography  
 Totem  
 Tweed Frieze

**Grade G**

Cuddle Stripe  
 Djenne  
 Gibson  
 Haze  
 Kinabalu  
 Kingston  
 Melange  
 Rattan  
 Serendipity  
 Spencer  
 Turner  
 Utrillo  
 Ultrasuede 

**Grade H**

Arno   
 Haiku

**Grade I**

Aswan  
 Cato  
 Dynamic

**Spinneybeck Leather  
Options for Mobile  
Pedestal Seat Cushions**
**Grade U**

Volo

**Grade V**

Andes  
 España  
 Maremma  
 Velluto Pelle

**Grade W**

Alaska  
 Amazon  
 Arizona  
 Derby  
 Sabrina

**Grade X**

Ducale  
 Ducale Velours  
 Grade Y  
 Cervo  
 Copenhagen  
 Cordovan  
 Distressed  
 Marissa  
 Prima  
 Riva  
 Saddle  
 Salon

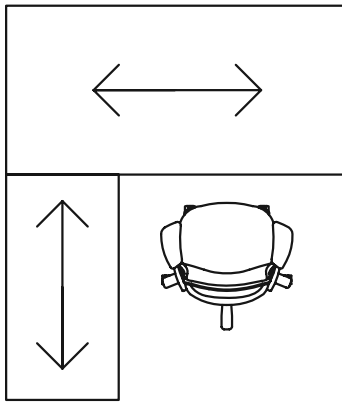
Pedestal cushions are upholstered (from the front to the back of the pedestal) with the fabric direction matching the textile sample.

**COM (Customer's  
Own Material)**

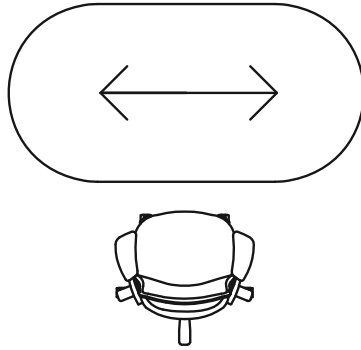
COM can be applied to Antenna Workspaces product on a select basis. Pricing for COM fabrics is at Grade B.

**Note:** Always contact your Customer Service Representative prior to sending any COM (including pre-approved KnollTextiles) to the manufacturing facility. Yardage requirements assume the fabric is 66" wide. If the COM is less than 66" wide, add 15% to the total yardage. For Customers Own Material (COM) applications, specify 0.75 yards of fabric for 17" deep mobile pedestal seat cushions and 0.90 yards for 23" deep seat cushions.

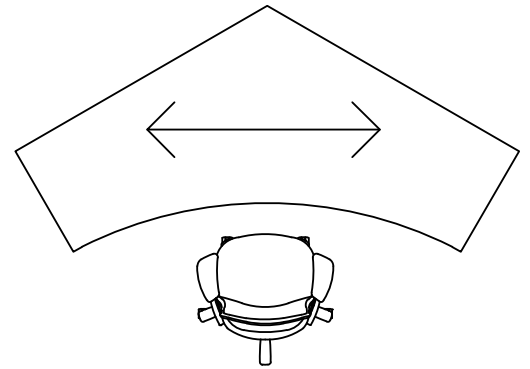




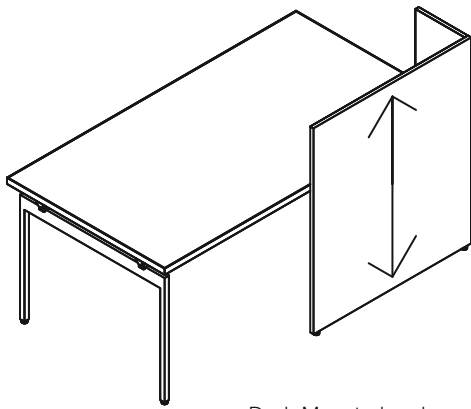
Rectangular Tops



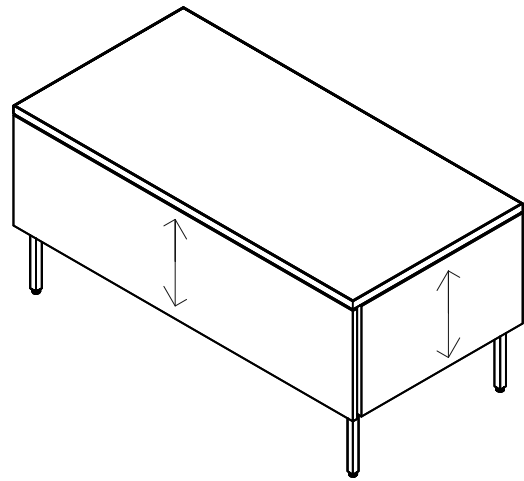
Track Shaped Tables



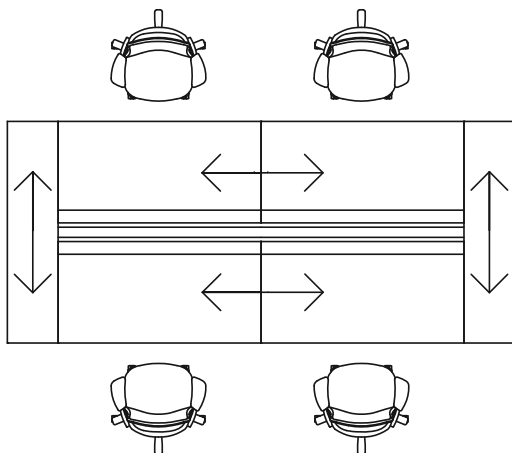
120 Degree Tops



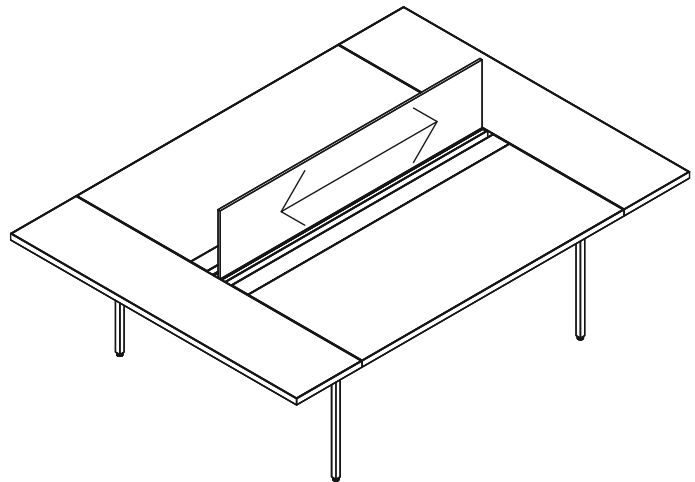
Desk Mounted and Floorstanding Screens



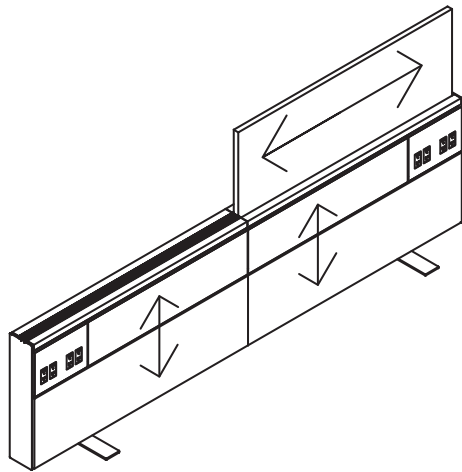
Modesty and End Panels



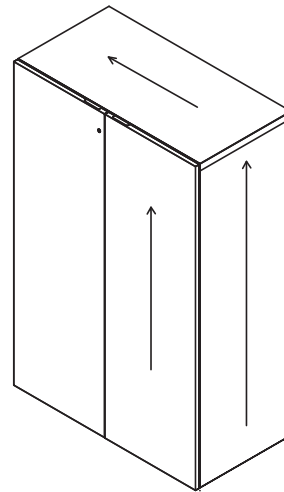
Big Table with Extension Tops or Cabinets



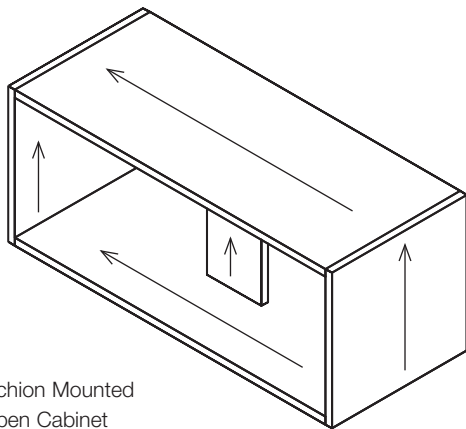
Big Table and Fence Screens



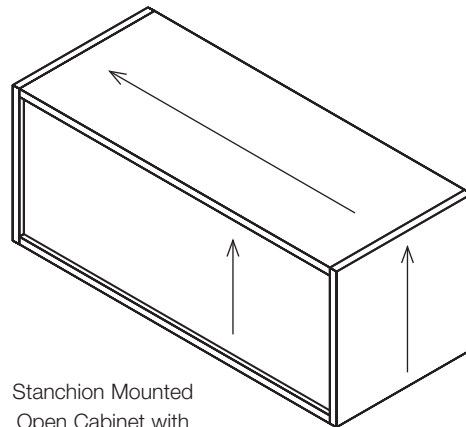
Fence Covers and Screens



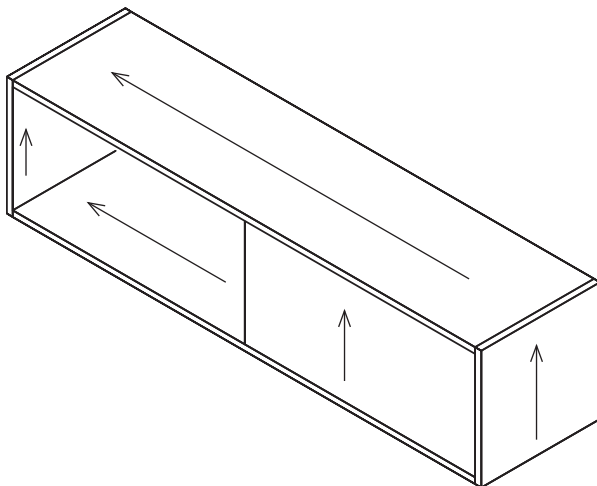
Floorstanding Cabinets



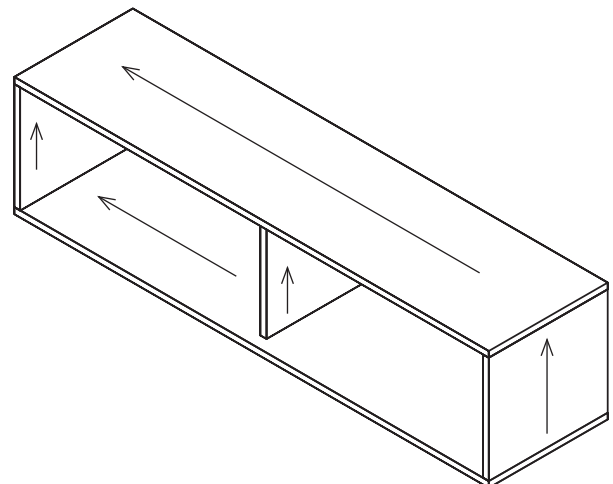
Stanchion Mounted Open Cabinet



Stanchion Mounted Open Cabinet with Open Front with Enclosed Back



Stanchion Mounted Shared Cabinet



Wall Mount Open Cabinet

---

## Wall Mounting Suggestions

The following information is provided only as a guide, and represents minimum recommendations only. Knoll does not accept responsibility for the attachment of any Knoll product to a Customer's site wall. Wall specification/construction is the responsibility of the Customer and its structural engineer/architect. Failure to properly attach Knoll products to adequate wall structures can lead to property damage and/or personal injury.

You should consult your own structural engineers and/or architects and must not rely on the information provided herein.

It is the responsibility of the Customer and its structural engineers/architects to verify that the permanent structural walls (studs, blocks, solid masonry, etc.) on which the Knoll products are intended to be mounted

are designed appropriately to support the product weight, PLUS 3 lbs. per linear inch for each useable shelf length

**NOTE:** A cabinet's top is considered a "useable shelf" and MUST be included in the calculation of the total load for an overhead cabinet.

It is the responsibility of the Customer and its structural engineer/architects to specify the fasteners and method for attaching the Knoll supplied wall mounting cleat, bracket, frame, etc. to the supporting wall and to confirm that the installers have adhered to these specifications. For all local building standards and codes, and additional requirements (including, but not limited to, seismic conditions) the Customer should always consult local code agencies.

	EXISTING CONSTRUCTION					
	NEW CONSTRUCTION	Cinder Block or Poured Concrete Masonry Wall	Wood Stud Wall, the studs being FULL HEIGHT to the roof/floor above	Wood Stud Wall, the studs being only Ceiling Height	Steel Stud Wall, the studs being FULL HEIGHT to the roof/floor above	Steel Stud Wall, the studs being only Ceiling Height
<b>Stud Specification</b>	Wood studs, grade #2 or better, 3 1/2" minimum width, <b>OR</b> Metal studs, minimum 25 gage thickness, 3 5/8" minimum width	The wall must be a minimum of 6" thick, and must be full height to the roof/ floor structure above	Wood studs must be Grade #2, or better, 3 1/2" minimum width	Wood studs must be Grade #2, or better, 3 1/2" minimum width	Metal studs must be minimum 25 gage thickness, 3 5/8" minimum width	Metal studs must be minimum 25 gage thickness, 3 5/8" minimum width
<b>Stud Centers</b>	Metal and wood studs must be spaced at 16" c/c maximum	N/A	Wood studs must be spaced at 16" c/c maximum	Wood studs must be spaced at 16" c/c maximum"	Metal studs must be spaced at 16" c/c maximum	Metal studs must be spaced at 16" c/c maximum
<b>Stud Height</b>	Metal and wood studs must extend upwards, and be securely attached to the roof/ floor structure above			Wood studs must be braced above the ceiling, and be securely attached to the roof/floor structure above  Affix #2 grade 'cap' across the top of the studs, then place diagonal studs from the top cap up to underside of the roof/ floor structure above		Metal studs must be braced above the ceiling, and be securely attached to the roof/floor structure above  Affix metal bracing 'cap' across the top of the studs, then place diagonal studs from the top cap up to underside of the roof / floor structure above
<b>Mounting the Knoll Supplied Cleat, Bracket, Frame, etc*</b>	Insert a 2" X 6" wood block, #2 grade or better, [or a Danback™ flexible wood backing system] horizontally between each of the studs to accommodate the full width of the cabinet, <b>and beyond to the next stud.</b>  Fasten the wood block to each stud using three screws at the ends of each block. (Fasten the Danback™ as directed by the manufacturer)  Fasten the Knoll supplied wall mounting cleat, bracket, frame, etc directly to each wood block every 6"  For wall mounting structures that have a rectangular frame-like configuration: fasten the top horizontal element of the frame to the wood blocking every 6", and fasten the lower horizontal element to each wall stud, using one fastener per stud.	Fasten the Knoll supplied cabinet wall mounting cleat, bracket, frame, etc. directly to the masonry wall every 6"  For wall mounting structures that have a rectangular frame-like configuration: fasten the top horizontal element of the frame to the wall every 6", and fasten the lower horizontal element to the wall every 16"	In the desired location of the cabinet mounting rail, remove an 8" high section of drywall the width of the cabinet, <b>and beyond to the next stud.</b>  Insert a 2" X 6" wood block, #2 grade or better, horizontally between each of the exposed studs.  Fasten the wood block to each stud using three screws at the ends of each block.  Replace the drywall and repair as desired.  Fasten the Knoll supplied wall mounting cleat, rail, frame, etc directly to the wood block every 6"  For wall mounting structures that have a rectangular frame-like configuration: fasten the top horizontal element of the frame to the wood blocking every 6", and fasten the lower horizontal element to each wall stud, using one fastener per stud.	In the desired location of the cabinet mounting rail, remove an 8" high section of drywall the width of the cabinet, <b>and beyond to the next stud.</b>  Insert a 2" X 6" wood block, #2 grade or better, horizontally between each of the exposed studs.  Fasten the wood block to each stud using three screws at the ends of each block.  Replace the drywall and repair as desired.  Fasten the Knoll supplied wall mounting cleat, rail, frame, etc directly to the wood block every 6"  For wall mounting structures that have a rectangular frame-like configuration: fasten the top horizontal element of the frame to the wood blocking every 6", and fasten the lower horizontal element to each wall stud, using one fastener per stud.	In the desired location of the cabinet mounting rail, remove an 8" high section of drywall the width of the cabinet, <b>and beyond to the next stud.</b>  Insert a 2" X 6" wood block, #2 grade or better, [or a Danback™ flexible wood backing system] horizontally between each of the exposed studs.  Fasten the wood block to each stud using three screws at the ends of each block.  Replace the drywall and repair as desired.  Fasten the Knoll supplied wall mounting cleat, rail, frame, etc directly to the wood block every 6"  For wall mounting structures that have a rectangular frame-like configuration: fasten the top horizontal element of the frame to the wood blocking every 6", and fasten the lower horizontal element to each wall stud, using one fastener per stud.	In the desired location of the cabinet mounting rail, remove an 8" high section of drywall the width of the cabinet, <b>and beyond to the next stud.</b>  Insert a 2" X 6" wood block, #2 grade or better, [or a Danback™ flexible wood backing system] horizontally between each of the exposed studs.  Fasten the wood block to each stud using three screws at the ends of each block.  Replace the drywall and repair as desired.  Fasten the Knoll supplied wall mounting cleat, rail, frame, etc directly to the wood block every 6"  For wall mounting structures that have a rectangular frame-like configuration: fasten the top horizontal element of the frame to the wood blocking every 6", and fasten the lower horizontal element to each wall stud, using one fastener per stud.
<b>*Graham Wall Hung Shelf</b>	The Graham Wall Hung Shelf Bracket (and others like it) requires full support behind the full height of the bracket  This should be accomplished by insertion of additional 2"X 6" wood blocking between the studs as defined above	Fasten the Knoll supplied wall mounting brackets directly to the masonry wall, using the holes provided in each bracket	The Graham Wall Hung Shelf Bracket (and others like it) requires full support behind the full height of the bracket  This should be accomplished by insertion of additional 2"X 6" wood blocking between the studs as defined above	The Graham Wall Hung Shelf Bracket (and others like it) requires full support behind the full height of the bracket  This should be accomplished by insertion of additional 2"X 6" wood blocking between the studs as defined above	The Graham Wall Hung Shelf Bracket (and others like it) requires full support behind the full height of the bracket  This should be accomplished by insertion of additional 2"X 6" wood blocking between the studs as defined above	The Graham Wall Hung Shelf Bracket (and others like it) requires full support behind the full height of the bracket  This should be accomplished by insertion of additional 2"X 6" wood blocking between the studs as defined above
<b>Fasten the Knoll supplied wall cleat with...</b>	#10 x 2 1/2" Grabber Woodys Screws or equiv. @ 6" c/c, screwed directly into the wood blocking	3/16" x 3 1/2" Tapcon Masonry Screws or equiv. @ 6" c/c with 1-1/4" embedment, screwed directly into the masonry wall	#10 x 2 1/2" Grabber Woodys Screws or equiv. @ 6" c/c, screwed directly into the wood blocking	#10 x 2 1/2" Grabber Woodys Screws or equiv. @ 6" c/c, screwed directly into the wood blocking	#10 x 2 1/2" Grabber Woodys Screws or equiv. @ 6" c/c, screwed directly into the wood blocking	#10 x 2 1/2" Grabber Woodys Screws or equiv. @ 6" c/c, screwed directly into the wood blocking

## Simple. Open. Adaptable.

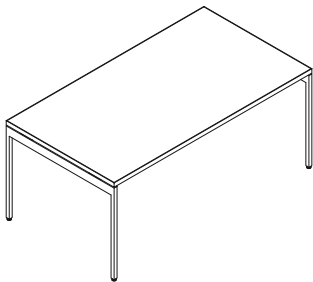
Antenna Workspaces, the integrated solution to the office, supports every mode of work—focused, shared and team—and facilitates the transitions between them. Knoll research confirms that the most progressive organizations seek innovation and increased productivity through collaboration: mentoring, teamwork and “unplanned” interaction. The challenge is to create an environment that complements individual, focused work settings with those that support collaborative work and informal, social interaction.

Antenna Workspaces comprises a range of solutions that integrate all these modes of work:

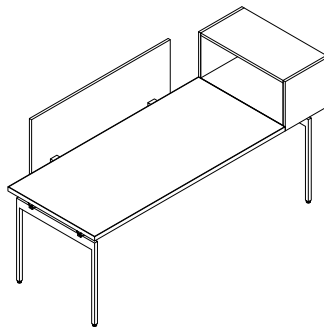
- **Focus** is an individual work mode that supports concentration with minimal interruptions.
- **Share** is a collaborative work mode that can occur in individual or group spaces and centers on the casual exchange of ideas.
- **Team** is a group work mode that occurs in a range of meeting spaces, both formal and informal.

## Basic Elements

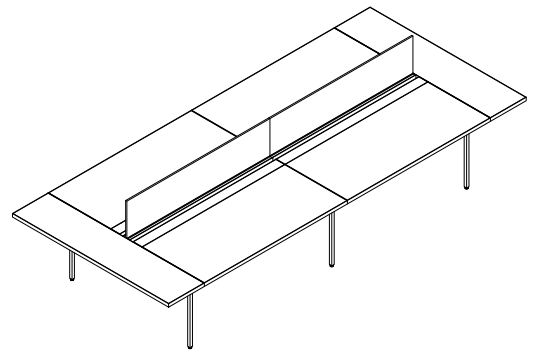
The fundamental elements of Antenna are Tables, Desks and Big Tables, fully integrated Fence spine, power components, Template Storage System, Screens and complementary Antenna storage components. To simplify planning and specifications, desks, tables, big table and fence are orderable as complete kits or as components.



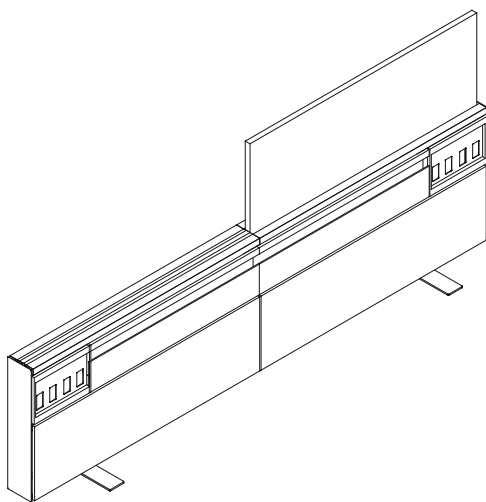
Table



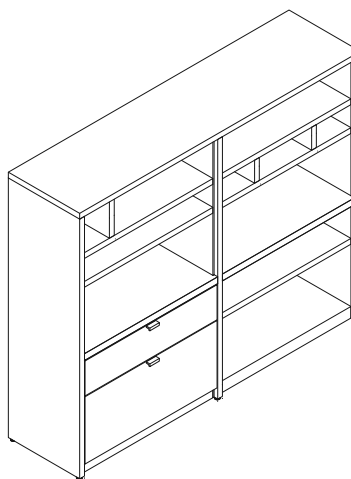
Desk



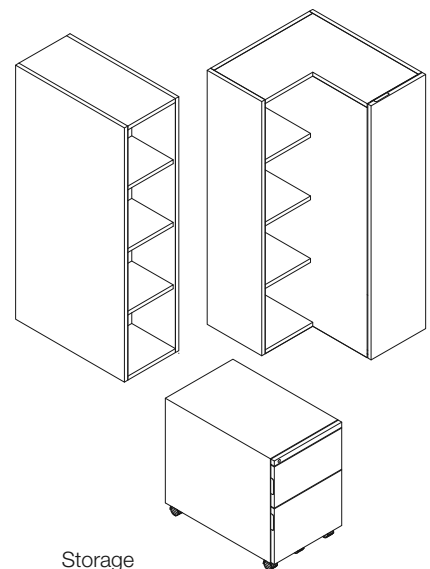
Big Table



Antenna Fence



Antenna Components for the Template Storage System



Storage

### Tables and Desks

Antenna begins with a simple structure—the Table—that is inherently collaborative. The top rests on a base composed of two steel end legs and two tubular rails that span across or between them, linked by cast aluminum cradles. The result is an extraordinarily strong table that can support tops up to 4' x 8'.

Antenna tops are laminate with a 2.8mm abs or veneer with veneer edge with a comfortable radius top and bottom edge with crisp corners. Also available are distinctive overlay tops featuring full overlay top veneer or solid core laminate with a veneer edge and larger radiused corners and underside edges.

The table is transformed into a Desk with the addition of storage, screens or power components that make one side the primary user edge. Desks can be linked end-to-end sharing a leg, or back to back with dual legs. A perpendicular return desk can be attached at any point to form L-shape or U-shape desk arrangements.

Desk top dimensions are 36"-96" wide, in 6" increments, and primary depths are 24", 27", 30" and 36"D. Desk supports and a full range of tops are also available in 18", 42" and 48" depths for returns and meeting tables.

The continuous support rails enable suspended storage or can be extended beyond the primary desk top to support desk extension cabinets or contrasting extension tops. Modular power components and cable baskets can be mounted to the rail to distribute power and communications between linked desks. Screens attach directly to the top anywhere along the back or end of a desk to provide partial modesty and enclosure above the top to either 42" or 49" horizons. A continuous 1 1/4" cord drop between the inside of a screen and the edge of the top facilitates wire management and enables clamp on monitor arms or a convenient desktop power/communications outlet module at any point.

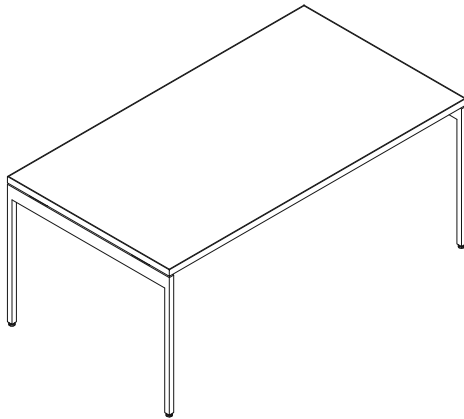
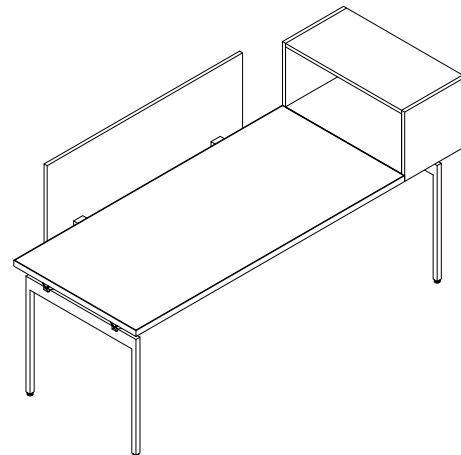


Table Desk



Desk with Extension Cabinet and Screen

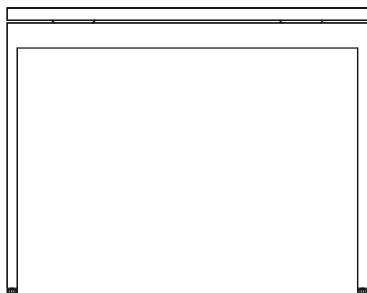
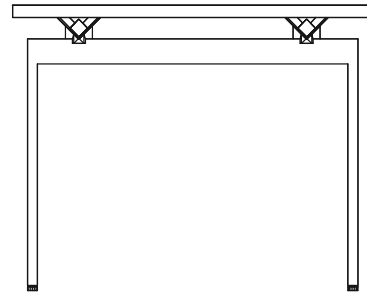


Table Desk End Elevation



Desk End Elevation

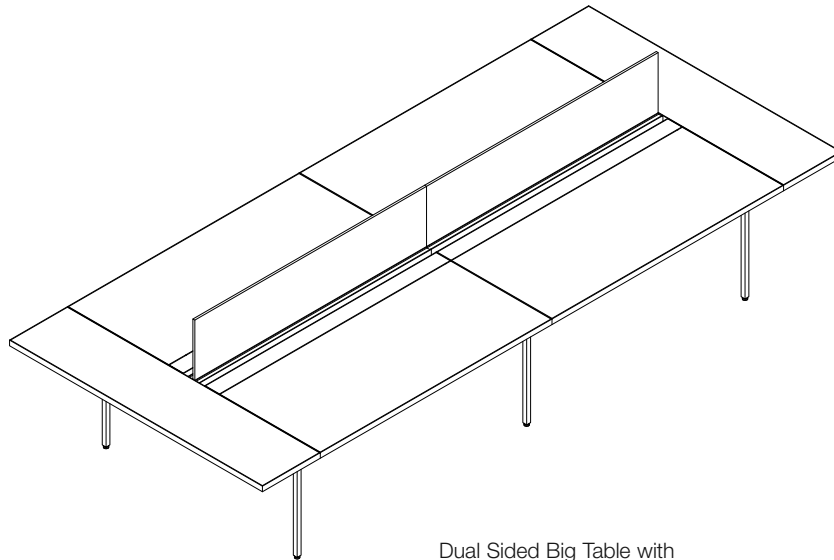
### The Big Table

Back-to-back desk tops with shared legs can be linked to form the Big Table: a collaborative work setting that supports groups of any size. The centerpiece of the big table is the center beam that spans across legs with a cord drop on either side. The center beam enables upmounted screens, platforms and storage, suspended power components,

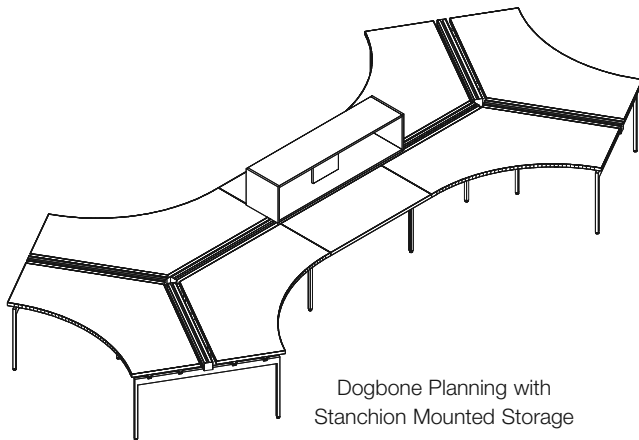
and independent support of cantilevered shelves and monitor arms on either side. Because the rail structure is the same as that of desks, returns can be attached to the big table at any point. As with desks, extended rails at the end positions of a big table support extension tops or storage cabinets above or below the big table tops.

Single sided big tables are also available for increased big table planning flexibility. Single sided big tables provide the intelligence of the center beam in a shallower depth big table

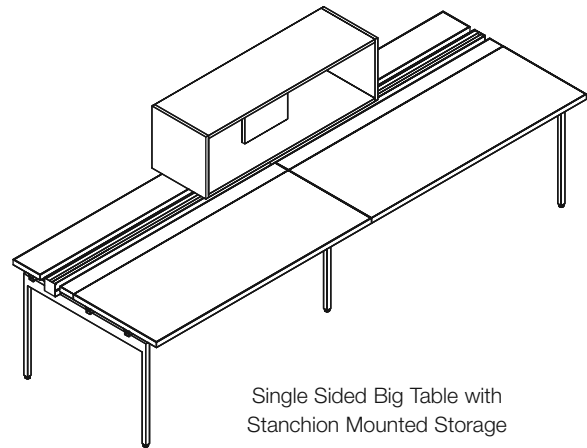
Big table tops are 18", 24", 27", 30" or 36" deep and in widths from 48"-84". Antenna and Overlay tops for the big table are available with a 3 3/4" continuous hinged surface at the back for easier access to power and communications outlets. In addition, Overlay tops can be ordered as "benching" tops with crisp corners for a continuous front edge where adjacent tops meet.



Dual Sided Big Table with Extension Tops and Screens



Dogbone Planning with Stanchion Mounted Storage



Single Sided Big Table with Stanchion Mounted Storage

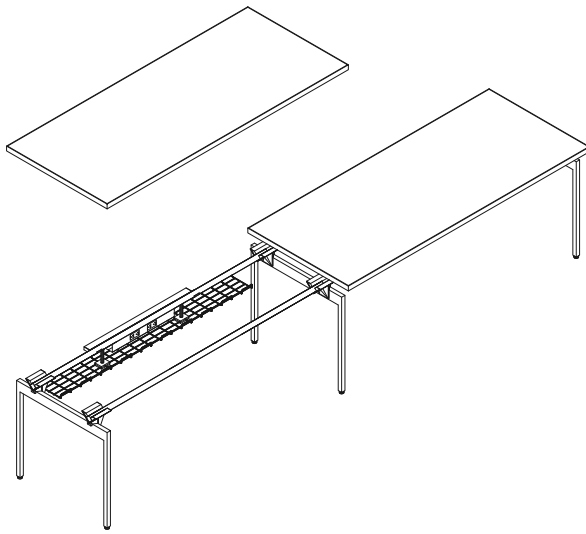
**Power Distribution in Antenna Workspaces**

Throughout linked desks, big table or fence planning, Antenna modular power systems can be specified to distribute four or six circuits of power from a single point of supply. The system consists of a power harness that accepts preconfigured duplex outlets on any circuit as well as up to four jumper cables to link power to another harness. Modular or hardwire infeeds to satisfy national and local electrical codes also connect into the power harness.

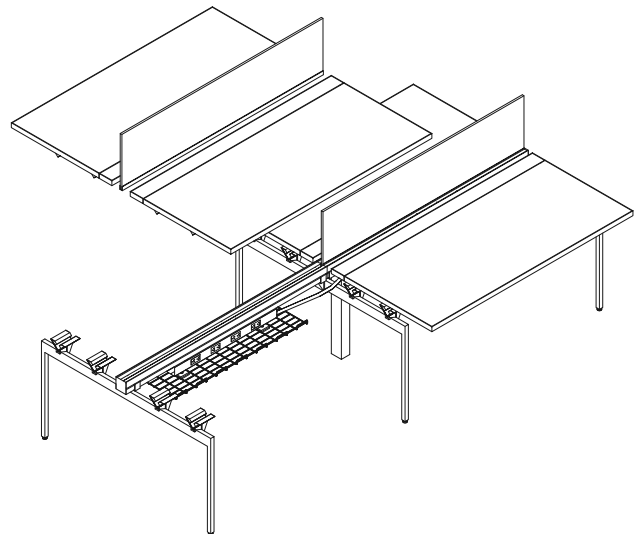
For desks, a power harness and mounting bracket are suspended from a desk rail. Two power harness options are available, one accepting up to two snap-in duplex outlets on each face and the other up to four duplex outlets on each face. Separate covers enclose the harness. Power harness mounting bracket can also accept a data/communications box adjacent to the power harness. Jumpers connect from one harness to the next in linked configurations, and can branch to support power under returns or back-to-back desks.

For big tables, the same power harnesses and jumpers are suspended directly from the center beam.

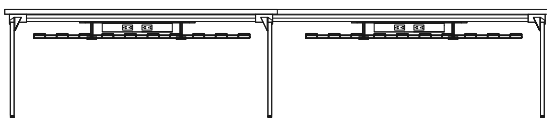
Power infeeds in desks and big tables can be managed vertically in a channel attached to the power harness adapter bracket or center beam.



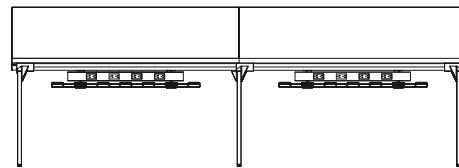
Desk with Electrical Components



Big Table with Electrical Components



Elevation of Desk Electrical Components



Elevation of Big Table Electrical Components



### Fence

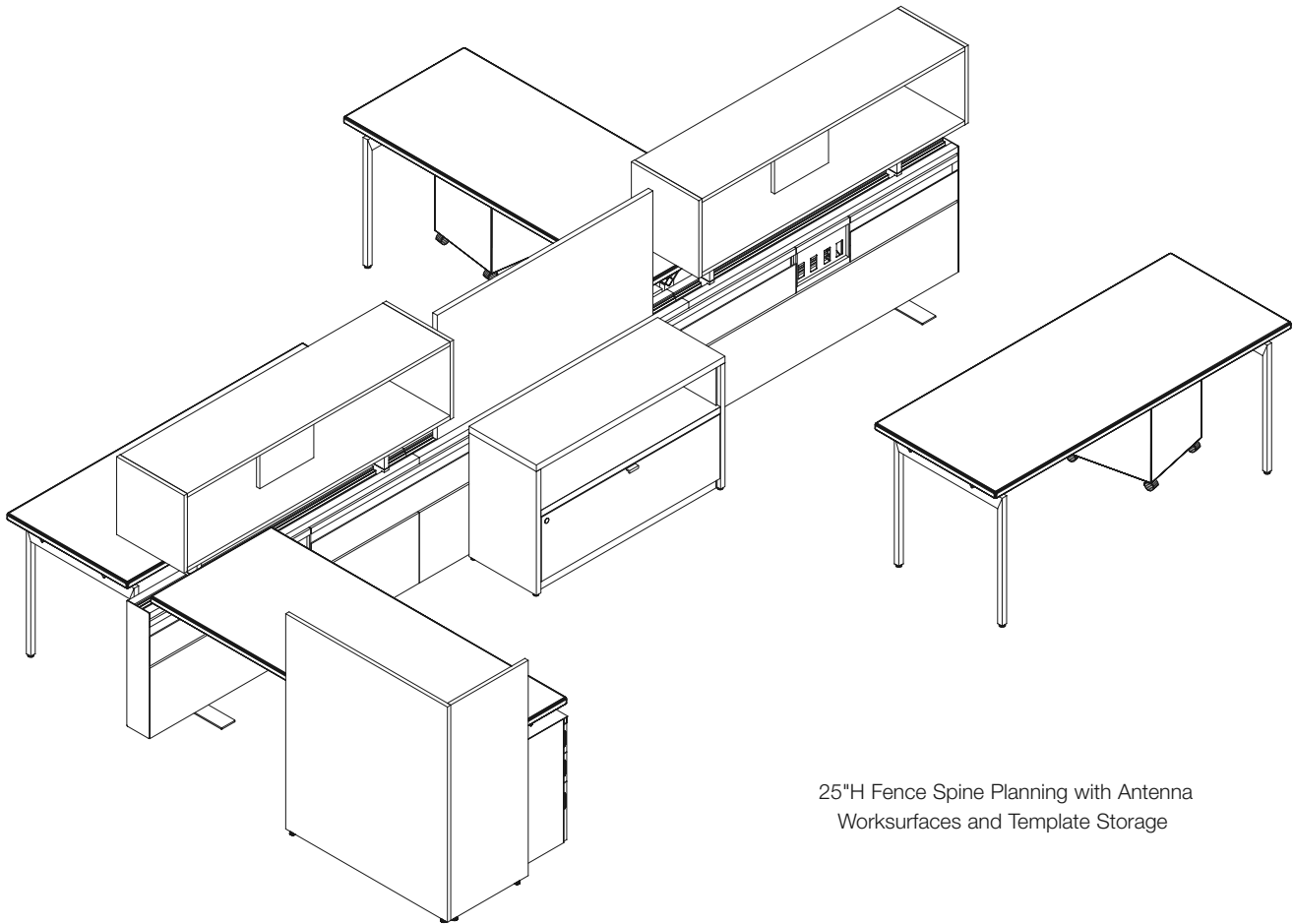
Fence is a compact spine that can be a freestanding housing for power and communications distribution and convenient outlets at the center of a cluster of desks or tables. Fence enables tables and desk arrangements to be moved independently of the service spine, or can be used to support one end of a desk.

Fence can be configured at desk top height or at 25" height to align with desk legs or enable the desk structure to span over the spine.

At either horizon, fence can also support screens or upmounted storage components including platforms, open or enclosed, single sided or shared cabinets.

Services can be supplied to the underside of fence and outlets for power and communications can be positioned at any point. The internal frame structure enables continuous lay-in cable distribution on either side, and unique cable tray covers support easy access cable management on the exterior surface. Other surface options for fence include integral slatwall and painted, laminate or wood covers.

For fence an outlet module mounts to either side of the studs in the fence frame. As with desk power harnesses, the outlet module accepts two duplex outlets each side and up to four jumper cables or infeeds. One or two adjacent outlet modules are enclosed by a 12"W outlet cover in the upper 9" level of the fence. Power and communications infeeds can enter anywhere along the bottom of the fence frame, where there is a 1" space between fence covers to the floor and a 4" or 7" space from the bottom of the fence frame to the floor.



25"H Fence Spine Planning with Antenna Worksurfaces and Template Storage

**Antenna Screens**

Antenna privacy screens are available for use on desks, big table and fence and offered in a range of materials including: fabric, laminate, marker surface, wood veneer and glass. Privacy screens provide partial enclosure in two planning horizons: 42"H for visual access and 49"H for seated privacy.

For desks, Antenna screens are always offset from the back or end of a desk top by 1 1/4", which ensures continuous cable management and that power centers, monitor arms and task lights can be secured to the top. Screens can be specified with a half

modesty, which starts at 10" above the floor (to align with the bottom of suspended cabinets) or with a partial modesty, which starts 22 1/2" above the floor. Screens align with top widths and depths.

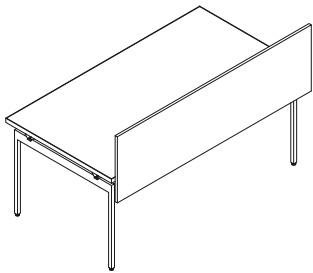
S screens attach to the back of a desktop to provide enclosure both above and below the desktop. The distinctive curved profile transitions from the 10" high vertical modesty panel to a horizontal transaction surface at the 42" horizon.

Also available for desks are floorstanding L screens at a 42" or 49" horizon, in 3/4" thick laminate or wood veneer surfaces. L screens wrap around the corner of a top and must be secured to the underside of the top.

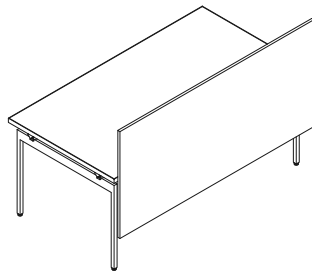
Antenna screens for the big table in 1/2" laminate, marker surface, veneer or glass include a base extrusion that fits into the top of the center beam at any point. Fabric screens are 1 1/4" thick with a painted perimeter metal frame. Screens are available in widths from 24"-72"W.

Intermediate screens are designed to plan anywhere along Antenna big tables or linked desk configurations to delineate individual workspaces. They are available with the same finish options at big table screens.

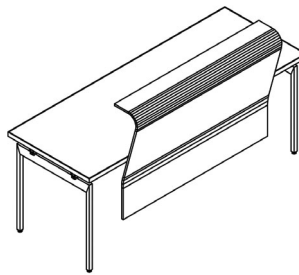
Screen options for fence are the same as those for big table, but the base extrusion is modified to fit into the center of the crown. Top caps are available to complement the fence crown or center beam adjacent to screens.



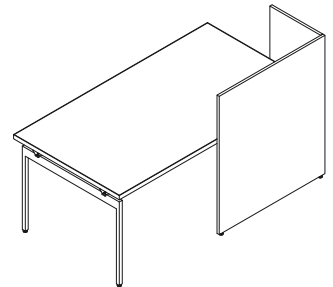
Partial Modesty Desk Screen



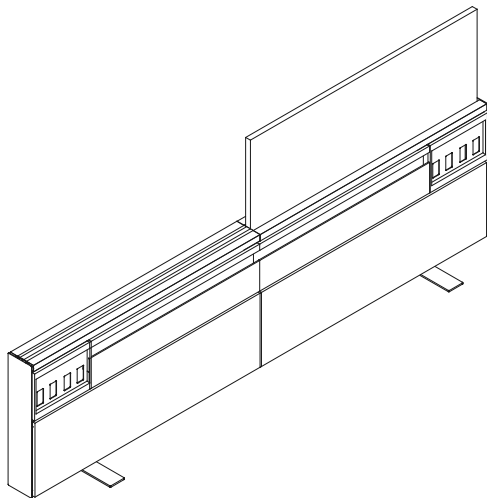
Half Modesty Desk Screen



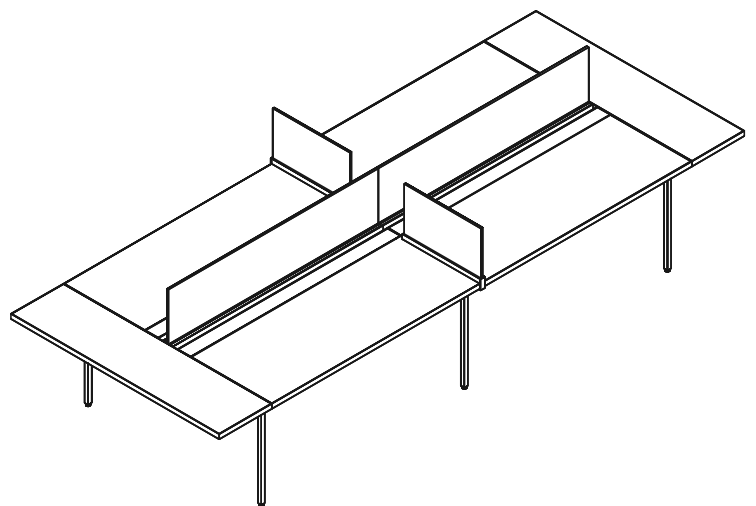
S Screen



Floorstanding L Screen, Left End of Desk



Fence Screen



Big Table Screens

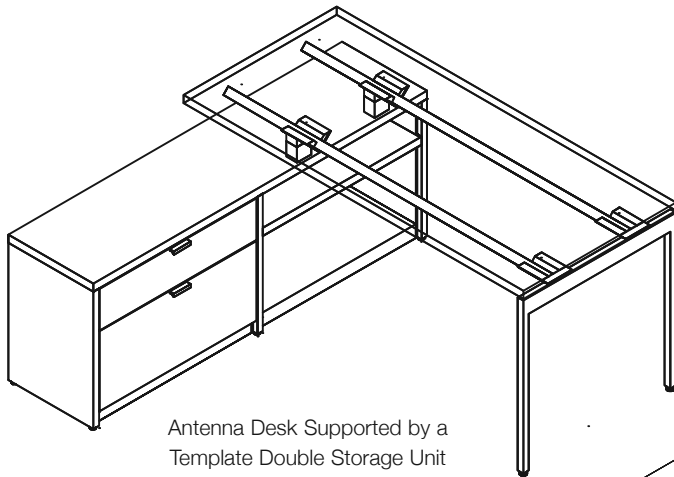
### Antenna Components for Template

Antenna desks are designed to be planned next to or integrated with the Template Storage System. Template is based on the structure and dimensions of 15"D bookshelves. The simple structure includes 2"H bases and 1" wide end- and mid- panels that can support power and communications distribution, a top and full or partial structural back panels between vertical panels.

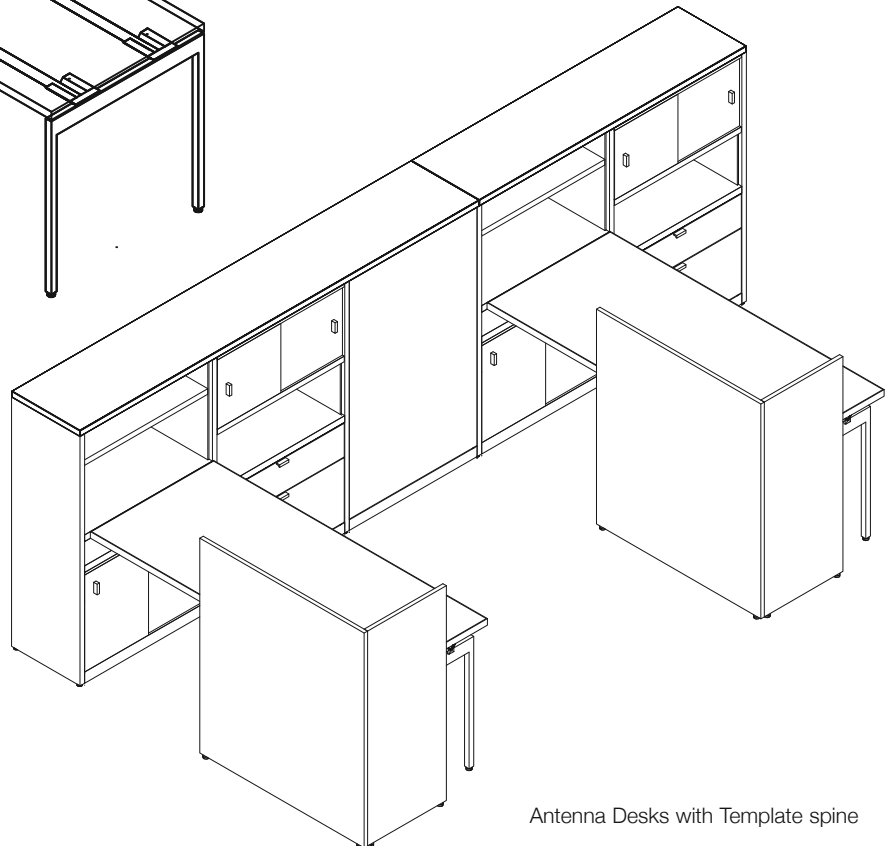
Various open and enclosed storage inserts fill the space between end and mid-panels. Since the structure is identical on "front" and "back," units can be linked, sharing a mid-panel, with components arranged to face one or both sides. Perpendicular Antenna desks can be supported from 22" or higher Template storage.

Template storage can be planned on any of ten horizons from 16" to 84", including key heights of 25", 28", 42" and 49" to match Antenna desk structure, desk tops, screen and storage. Template can be configured as a freestanding single storage unit, in widths from 24"-48", or ganged in any combination. With its compact depth Template is also ideal as a storage wall that defines the perimeter of a workspace or privacy between Antenna desks, or as the "work wall" of a private office.

Antenna tops and worksurface shelves for Template match the front edge material, profile and thickness of Antenna desk tops, but are sized in width to fit specific Template configurations. Antenna adapters are also available to link desks to worksurface shelves or tops for Template. Specify standard Template components for all other applications, including end and mid panels, bases, back panels, shelves and storage inserts.



Antenna Desk Supported by a Template Double Storage Unit



Antenna Desks with Template spine

### Antenna Storage

Complementary Antenna storage components include painted steel, and laminate or wood veneer construction that are freestanding, furniture-mounted and wall-mounted.

**Suspended storage** options begin with the steel laptop drawer, with wire management features that enable it to serve as a secure storage for portable electronics. Other suspended storage units are laminate or wood veneer construction open shelves, in versions accessible from front/back or from the end of desk, and suspended file drawer, with internal pencil drawer. Suspended storage sizes correspond to desk depths.

**Metal pedestal** options are 18" or 24"D mobile data/file, 18", 24", or 30"D floorstanding two box/file, and two file units, with painted, laminate, or veneer fronts. Floorstanding 18"D two file pedestals are also available in 30" and 36" widths. Floorstanding pedestals with ballast kits can be integrated into the desk structure in place of a leg.

**Above desk and below desk extension cabinets** also correspond in size to desk and overall big table depths, supported by extended rails, with a "floor" or top flush with the adjacent desk top.

**Stanchion mounted wood and metal construction shelves and cabinets**, available with no back, full back or shared configurations, can be mounted on center beam of big table or on the fence. Stanchion mounted steel construction cabinets are available with painted steel surface doors. Stanchions for each application are designed to lift the 15"H x 15"D cabinets to an overall height of 49".

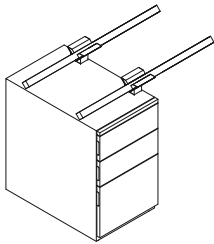
**Wall mounted wood and metal open and enclosed storage units** are also available, with overlapping doors in the same finish options as upmounted cabinets.

**Cantilever shelves** for big tables, 12" and 24"W, mount to either side of a center beam, while platforms can be supported on stanchions at 34"H.

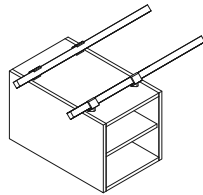
**Desk-end cabinets**, 49"H and 27", 30" and 36" depths, occupy a narrow footprint and provide access to shelves and coat storage from front and back in open/open, open/enclosed and enclosed/enclosed versions with hinged doors. Desk-end cabinet for 24"D applications is accessible from front only. Desk-end cabinets are floorstanding, but must be secured to desk for stability.

**L cabinets** are freestanding enclosures for coats and open shelves in a 24" x 24" L-shape that helps define the perimeter of an individual workspace. Single and double width wardrobes are also available for coat storage.

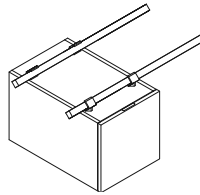
**Enclosed shelf and file cabinets** are freestanding 18"D open, enclosed or partially enclosed cabinets in laminate or veneer, that can be utilized as storage walls in open plan or private offices.



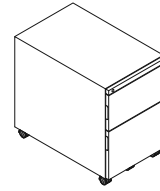
Floorstanding Pedestal



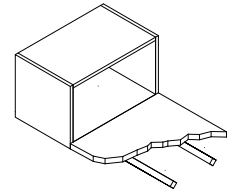
Suspended Open Cabinet



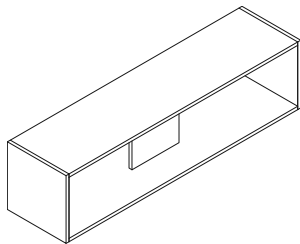
Suspended Wood File with Internal Pencil Drawer



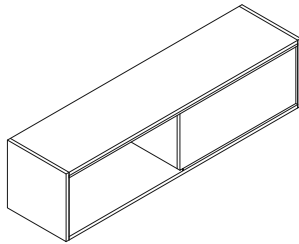
Mobile Pedestal



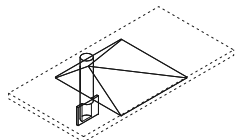
Above Desk Extension Cabinet



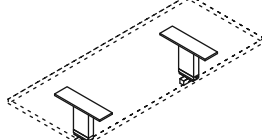
Stanchion Mounted Open Cabinet



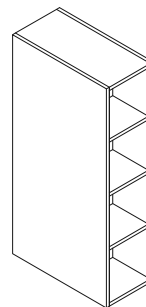
Stanchion Mounted Shared Open Cabinet



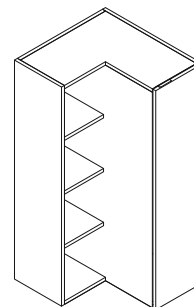
Cantilever Shelf for Big Table



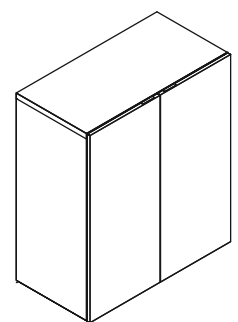
Stanchion Mounted Platform



Desk End Cabinet



Floorstanding L Cabinet



Enclosed Shelf Cabinet

### Interpole Planning Guidelines

Interpole is a unique vertical planning approach based on a floor to ceiling H-pole applicable in open plan, private offices and activity spaces. Interpole poles incorporate two channels which may be open or enclosed, and two continuous slots for mounting shelves, screens, accessories or KnollExtra Sapper monitor supports at any height.

Interpole enables five distinct planning applications: hub, display, conduit, screen and storage wall.

### Hub

Interpole distributes two circuit power from floor or ceiling to outlets at lounge, desk or standing height to serve as a recharge station for portable devices.

### Display

Interpole with monitor support can serve as a technology mast in private offices or community spaces.

### Conduit

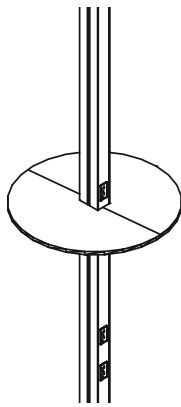
Interpole can route ceiling infeeds of power and communications cables in separate channels to supply Antenna workspaces linked desks, big table or Fence, or clusters of Dividends Horizon, AutoStrada, Reff Profiles or Morrison panel systems.

### Screen

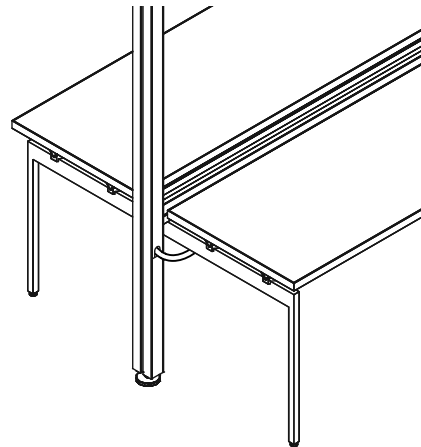
Interpole whiteboard, translucent glass or tackable screens mount between poles with or without covers to define boundaries of team meeting and community spaces with a functional surface.

### Storage

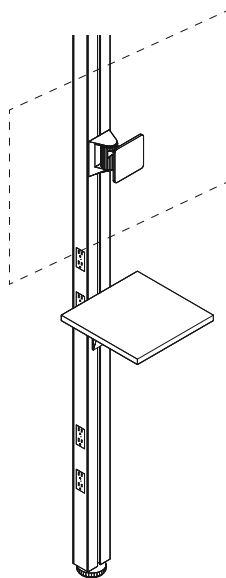
Interpole wood shelves and cabinets mount between poles at any level to support and define workstations, offices, or activity spaces. Vertical wood cabinets mount to the side of a pole providing open or enclosed shelf storage or wardrobe.



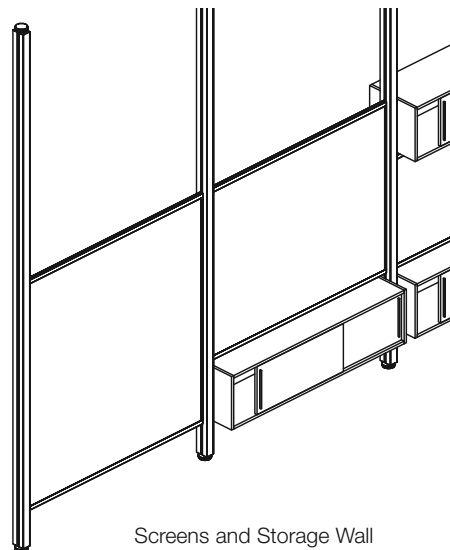
Hub



Conduit



Display



Screens and Storage Wall

The fundamental planning unit for Antenna and the starting point for any planning approach is the desk or table tops that form an individual or group workplace. What differs is how those tops are supported and complemented with services, screens and storage.

Antenna is most efficiently planned as groups of workplaces. Five unique planning models enable clustered desks, linked desks, big tables, desks with fence or the Template Storage System to serve as the shared, powered “spine” of a cluster. Each has unique advantages.

**Clustered Tables or Desks** are the most flexible planning approach, particularly when coupled with the fence or a raised floor system. Desks can be supplied individually from fence, raised floor, ceiling or adjacent built wall. Screens can be shared between desks, but clustered desks are independent so they can be freely rearranged as needs change.

**Linked Desks** are more economical than clustered desks, and involve shared legs or back-to-back legs that free up floor space. Since linked desks can distribute power throughout, services can be more cost effectively supplied from a single point to eight or more workplaces. Screens can be shared between back to back desks, but power components may need to be specified on both sides of screen for optimal access to outlets.

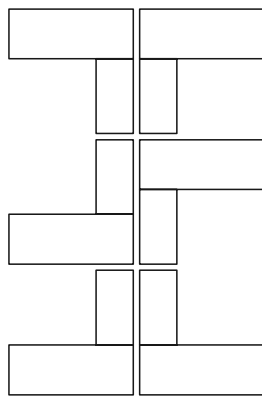
**The Big Table** is the most cost effective planning approach with Antenna Workspaces, combining efficient, dual sided power distribution, screens, storage support and desk support. Power and communications outlets and distribution are discreet yet easily accessible. Because desk returns can be attached anywhere, the big table is fully functional as the spine of a work group.

Antenna dual sided big tables can be planned in 120 degree configurations with 120 degree Antenna tops, intermediate legs for 120 degree, standard big table end legs, rails, center beams

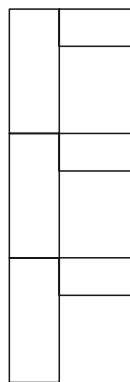
and power components. Whether it is a basic triad configuration or a larger dogbone six-pack layout, 120 degree worksurfaces provide a more space efficient way to plan a workspace.

**Fence for Antenna** can also serve as the structural spine of a cluster of desks, eliminating some legs. Since services can be accessed on both sides, fence power distribution can be more cost effective than with linked desks. Fence can also support storage cabinets and screens.

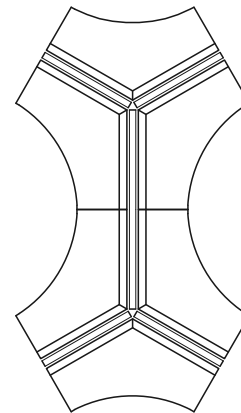
**Template Storage System** can also serve as the spine of a cluster of desks, eliminating some structural legs. Since power can be distributed through the base and terminated in outlets at desk height, power distribution can be more cost effective than with linked desks. Storage options within Template can be configured for access on both sides. Unique 27"D Antenna desks enable a wire drop and desk mounted screens to plan “within” Template’s centerline planning module.



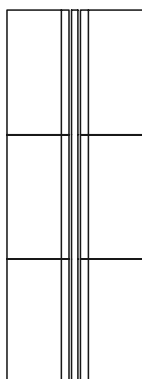
Clustered Desks



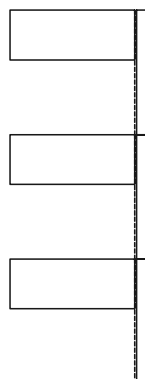
Linked Desks



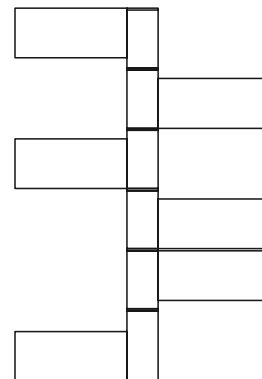
120 Degree Big Table



Big Table



Fence with Antenna Desks



Antenna Desks with Template Spine

### Preconfigured Tables

Antenna Tables are available as complete kits including top, rails and legs. Preconfigured tables include round, square, rectangular and track shapes, in standard Antenna laminate, veneer, or glass top details, with painted or chrome finish legs. End legs for round, square and rectangle shapes are table desk end legs that capture the ends of the rails and enable knee space on all sides of desk height tables. Track shape tables are supported by standard Antenna end legs over which the rails extend to the ends of the top for maximum support.

**Round tables** in 42" diameter have a 27" square base, and tables in 48" diameter include a 30" square base. Round tables in 42" diameter are available in three heights: 18 1/2", 24 1/2", 28 1/2". The lowest height is coffee table height, suitable for reception or casual areas, the medium height is designed for use of portable electronics in casual work areas, and the highest is standard desk height. Round tables in 48" diameter are only available at desk height.

**Square tables** have table desk end legs at the corners. Square 30" tables are also available in three heights: 18 1/2", 24 1/2", 28 1/2". Square 36", 42" and 48" tables are only desk height.

**Rectangular tables** have table desk end legs flush with the short ends. Rectangular tables are available in classic 2 x 1 proportions, 48x24, 54x27, 60x30, 72x36, 84x42, all at standard desk height 28 1/2".

Rectangular shape tables other than these sizes can be assembled from components (tops, rails and legs specified separately).

**Track shape tables** have standard Antenna end legs inset 4 1/2" from each long side edge adjacent to the semi-circular ends of the top. Track shape tables are 72x36, 84x42 or 96x48, all at standard desk height 28 1/2".

All table legs include standard Antenna levelers with 1 1/2" continuous adjustment range.

### Construction

Antenna tops are nominal 1 3/16" thick with a laminate or veneer surface finish. Laminate tops have a laminate top surface with an FSC-certified particle board core and a neutral tone backer sheet for balanced construction. Edges can match the top or contrast in color, in 2.8mm ABS with 2.4mm radius top and bottom edges. Front and back edges overlap ends with a 2.4 mm radius on outside corners.

Techwood and natural veneer tops have a veneer top surface, an FSC-certified particle board core and a neutral tone backer sheet for balanced construction. Veneer tops have matching finish 2.0mm solid veneer edges

on all sides. Top and bottom edges have a 2.0mm radius. Veneer grain direction is parallel to front edge on desk tops, and parallel to end on extension tops.

Glass tops are 1/2" thick with a slight radius on the top and bottom edges as well as the corners.

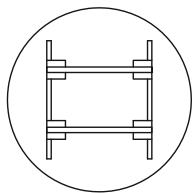
Rails are 1 1/4" square steel tube. End caps are die cast aluminum. Return adapters are die cast aluminum.

End legs are steel weldments with 1" square legs and a 2 1/2" horizontal rail. Legs include 2 1/2" levelers with 3/8" stems and continuous 1 1/2" adjustment range. Cradles and clamps are cast aluminum with countersunk fasteners into legs, mating parts and top.

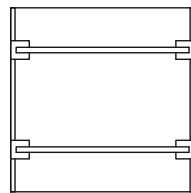
### Specification Options

Table tops may be specified in any Antenna solid, pattern or woodgrain laminate, with matching or contrasting ABS edge in any Antenna Techwood or natural veneer with matching edge, or with a glass finish.

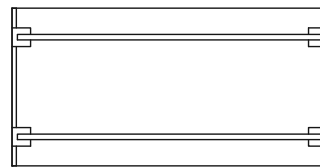
Glass finish options include Clear, Powder, Starfire Clear, Grey Tinted, Back Painted Black, and Back Painted White. Rails may be specified in any Antenna core or accent painted finish. Legs may be specified in any Antenna core or accent painted finish, with matching cradle finish, or in chrome with any Antenna paint finish for the cradles.



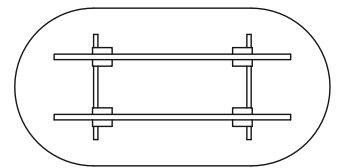
Round Table Plan View



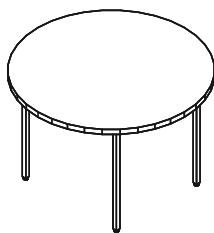
Square Table Plan View



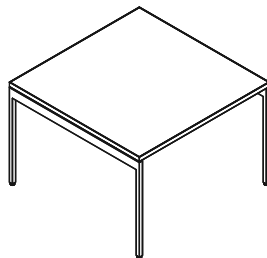
Rectangular Table Plan View



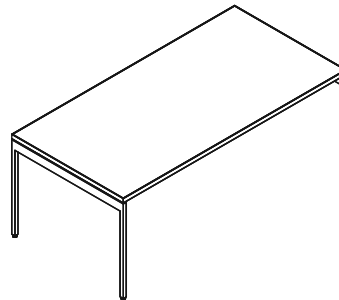
Track Shaped Table Plan View



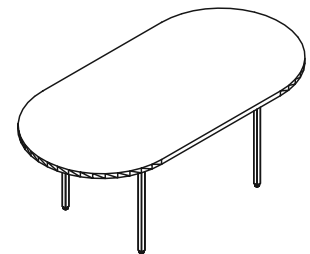
Round Table,  
18", 24 1/2" or  
28 1/2" High



Square Table,  
18", 24 1/2" or  
28 1/2" High



Rectangular Table,  
28 1/2" High

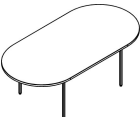

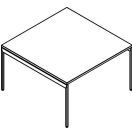
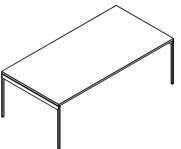


Track Shaped Table,  
28 1/2" High

# Antenna Leg Base Tables

## Antenna Tops

### Track, Round, Square and Rectangle

description	w	d	h	pattern no.	Laminate (L)	V1 (V)	V2 (V)	V3 (V)	Chrome Base Upcharge
 Tables with Track Shaped Antenna Tops	72"	36"	28 1/2"	<b>YKTT7236D( )</b>	\$1,491.	\$2,544.	\$2,801.	\$3,396.	n/a
	84"	42"	28 1/2"	<b>YKTT8442D( )</b>	1,606.	2,915.	3,225.	3,938.	n/a
	96"	48"	28 1/2"	<b>YKTT9648D( )</b>	1,779.	3,314.	3,675.	4,507.	n/a
 Tables with Round Shaped Antenna Tops	42"	42"	18 1/2"	<b>YKTR42L( )</b>	1,205.	2,318.	2,551.	3,084.	467.
	42"	42"	24 1/2"	<b>YKTR42M( )</b>	1,205.	2,318.	2,551.	3,084.	467.
	42"	42"	28 1/2"	<b>YKTR42D( )</b>	1,205.	2,318.	2,551.	3,084.	467.
	48"	48"	28 1/2"	<b>YKTR48D( )</b>	1,320.	2,445.	2,694.	3,268.	477.
 Tables with Square Shaped Antenna Tops	30"	30"	18 1/2"	<b>YKTS3030L( )</b>	1,038.	1,305.	1,383.	1,596.	477.
	30"	30"	24 1/2"	<b>YKTS3030M( )</b>	1,038.	1,305.	1,383.	1,596.	477.
	30"	30"	28 1/2"	<b>YKTS3030D( )</b>	1,038.	1,305.	1,383.	1,596.	477.
	36"	36"	28 1/2"	<b>YKTS3636D( )</b>	1,132.	1,403.	1,491.	1,729.	567.
	42"	42"	28 1/2"	<b>YKTS4242D( )</b>	1,241.	1,621.	1,746.	2,052.	619.
	48"	48"	28 1/2"	<b>YKTS4848D( )</b>	1,350.	1,844.	1,987.	2,368.	685.
 Tables with Rectangle Shaped Antenna Tops	48"	24"	28 1/2"	<b>YKTS4824D( )</b>	1,098.	1,361.	1,444.	1,667.	370.
	54"	27"	28 1/2"	<b>YKTS5427D( )</b>	1,210.	1,484.	1,576.	1,827.	467.
	60"	30"	28 1/2"	<b>YKTS6030D( )</b>	1,340.	1,569.	1,663.	1,958.	477.
	72"	36"	28 1/2"	<b>YKTS7236D( )</b>	1,449.	1,727.	1,861.	2,182.	567.
	84"	42"	28 1/2"	<b>YKTS8442D( )</b>	1,729.	1,934.	2,066.	2,424.	619.

#### Ordering Information

- Tables**
1. Pattern Number
  2. Top Finish
  3. Edge Finish (for laminate tops only)
  4. Rail Paint Finish
  5. Cradle Paint Finish (for chrome legs only)
  6. Leg Paint Finish

#### Order Code

**Tables**

*Example:* **YKTS3030DL, 118T, 118T, 118T, 118T**

<b>YK</b>	Table Kit
<b>TS</b>	Antenna Square Top
<b>30</b>	Depth
<b>30</b>	Width
<b>D</b>	Desk Height
<b>L</b>	Laminate
<b>118T</b>	Bright White Top
<b>118T</b>	Bright White Edge
<b>118T</b>	Bright White Paint
<b>118T</b>	Bright White Paint
<b>118T</b>	Bright White Paint

#### Included With

- Tables**
- Antenna Top
  - (2) Rails
  - (2) End Legs
  - (4) Cradles
  - (4) Leveling Glides
  - Attachment Hardware

#### Options

- Table**
- Top Finish Options:**  
(L) = Laminate  
(V) = Veneer
- Leg Finish Options:**
- End Legs are available in Knoll core paints, Dark Red (130) and Slate blue (131) paint finishes, as well as polished chrome (PD) finish.
- Add the chrome base upcharge to the table list price when the table base is specified with a chrome finish.
- Chrome base is not available on track shaped tables.

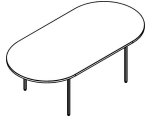


# Antenna Leg Base Tables

## Glass Tops

### Track, Round, Square and Rectangle

description	w	d	h	pattern no.	Clear Glass (TEMP)	Powder Glass (GL13)	Starfire Clear Glass (GL85)	Grey Glass (GL35)	Back Painted Black Glass (GL11)	Back Painted White Glass (GL45)	Chrome Base Upchg.
Tables with Track Shaped Glass Tops	72"	36"	28 1/2"	<b>YKTT7236DG</b>	\$3,921.	\$4,923.	\$5,369.	\$6,355.	\$7,419.	\$7,419.	n/a
	84"	42"	28 1/2"	<b>YKTT8442DG</b>	4,344.	5,703.	6,316.	7,430.	9,112.	9,112.	n/a
	96"	48"	28 1/2"	<b>YKTT9648DG</b>	4,824.	6,595.	7,408.	8,678.	11,039.	11,039.	n/a



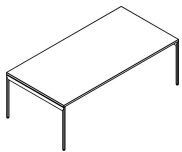
Tables with Round Shaped Glass Tops	42"	42"	18 1/2"	<b>YKTR42LG</b>	2,752.	3,431.	3,737.	4,456.	5,403.	5,403.	467.
	42"	42"	24 1/2"	<b>YKTR42MG</b>	2,752.	3,431.	3,737.	4,456.	5,403.	5,403.	467.
	42"	42"	28 1/2"	<b>YKTR42DG</b>	2,752.	3,431.	3,737.	4,456.	5,403.	5,403.	467.
	48"	48"	28 1/2"	<b>YKTR48DG</b>	3,041.	3,927.	4,322.	5,114.	6,149.	6,149.	477.



Tables with Square Shaped Glass Tops	30"	30"	18 1/2"	<b>YKTS3030LG</b>	2,084.	2,428.	2,584.	3,565.	3,297.	3,297.	477.
	30"	30"	24 1/2"	<b>YKTS3030MG</b>	2,084.	2,428.	2,584.	3,565.	3,297.	3,297.	477.
	30"	30"	28 1/2"	<b>YKTS3030DG</b>	2,084.	2,428.	2,584.	3,565.	3,297.	3,297.	477.
	36"	36"	28 1/2"	<b>YKTS3636DG</b>	2,272.	2,775.	2,997.	4,010.	4,022.	4,022.	567.
	42"	42"	28 1/2"	<b>YKTS4242DG</b>	2,551.	3,231.	3,537.	4,624.	4,935.	4,935.	619.
	48"	48"	28 1/2"	<b>YKTS4848DG</b>	2,780.	3,665.	4,066.	5,224.	5,893.	5,893.	685.



Tables with Rectangle Shaped Glass Tops	48"	24"	28 1/2"	<b>YKTS4824DG</b>	1,943.	2,389.	2,589.	2,869.	3,497.	3,497.	370.
	54"	27"	28 1/2"	<b>YKTS5427DG</b>	2,245.	2,807.	3,064.	3,420.	4,211.	4,211.	467.
	60"	30"	28 1/2"	<b>YKTS6030DG</b>	2,841.	3,532.	3,844.	4,311.	5,270.	5,270.	477.
	72"	36"	28 1/2"	<b>YKTS7236DG</b>	3,191.	4,188.	4,645.	5,257.	6,684.	6,684.	567.
	84"	42"	28 1/2"	<b>YKTS8442DG</b>	3,948.	5,503.	6,205.	6,539.	9,379.	9,379.	619.



#### Ordering Information

##### Tables

1. Pattern Number
2. Top Finish
3. Rail Paint Finish
4. Cradle Paint Finish (for chrome legs only)
5. Leg Paint Finish

#### Order Code

##### Tables

*Example:* **YKTS4824DG, TEMP, 118T, 118T, 118T**

<b>YK</b>	Table Kit
<b>TS</b>	Antenna Square Top
<b>48</b>	Depth
<b>24</b>	Width
<b>D</b>	Desk Height
<b>G</b>	Glass
<b>TEMP</b>	Clear Glass
<b>118T</b>	Bright White Rails
<b>118T</b>	Bright White Cradles
<b>118T</b>	Bright White Legs

#### Included With

##### Tables

- Glass Top
- (2) Rails
- (2) End Legs
- (4) Cradles
- (4) Leveling Glides
- Attachment Hardware

#### Options

##### Table

##### Glass Top Finish Options:

Add finish option as suffix to pattern number:

- (TEMP) = Clear Glass
- (GL13) = Powder Glass
- (GL85) = Starfire Clear Glass
- (GL35) = Grey Tinted Glass
- (GL11) = Back Painted Black Glass
- (GL45) = Back Painted White Glass

##### Leg Finish Options:

End Legs are available in Knoll core paints, Dark Red (130) and Slate blue (131) paint finishes, as well as polished chrome (PD) finish.


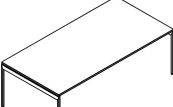
Add the chrome base upcharge to the table list price when the table base is specified with a chrome finish.

Chrome base is not available on track shaped tables.

# Antenna Leg Base Tables

## Overlay Tops

### Square and Rectangle

description	width	depth	height	pattern number	Color Core Laminate (C)	V1 (V)	V2 (V)	V3 (V)	Chrome Base Upcharge
Tables with Square Shaped Overlay Tops 	30"	30"	18 1/2"	<b>YKPTS3030L()</b>	\$2,465.	\$1,909.	\$2,076.	\$2,465.	\$477.
	30"	30"	24 1/2"	<b>YKPTS3030M()</b>	2,465.	1,909.	2,076.	2,465.	477.
	30"	30"	28 1/2"	<b>YKPTS3030D()</b>	2,465.	1,909.	2,076.	2,465.	477.
	36"	36"	28 1/2"	<b>YKPTS3636D()</b>	2,624.	2,025.	2,207.	2,624.	567.
	42"	42"	28 1/2"	<b>YKPTS4242D()</b>	2,796.	2,159.	2,353.	2,796.	619.
	48"	48"	28 1/2"	<b>YKPTS4848D()</b>	2,943.	2,265.	2,471.	2,943.	685.
Tables with Rectangle Shaped Overlay Tops 	48"	24"	28 1/2"	<b>YKPTS4824D()</b>	2,534.	1,961.	2,134.	2,535.	370.
	54"	27"	28 1/2"	<b>YKPTS5427D()</b>	2,725.	2,105.	2,294.	2,725.	467.
	60"	30"	28 1/2"	<b>YKPTS6030D()</b>	2,854.	2,196.	2,396.	2,854.	477.
	72"	36"	28 1/2"	<b>YKPTS7236D()</b>	3,067.	2,348.	2,670.	3,067.	567.
	84"	42"	28 1/2"	<b>YKPTS8442D()</b>	3,384.	2,610.	2,844.	3,384.	619.

#### Ordering Information

- Tables**
1. Pattern Number
  2. Top Finish
  3. Edge Finish  
(for laminate tops only)
  4. Rail Paint Finish
  5. Cradle Paint Finish  
(for chrome legs only)
  6. Leg Paint Finish

#### Order Code

Tables	
<i>Example:</i>	<b>YKPTS3030DL, 311, V440, 118T, 118T, 118T</b>
<b>YK</b>	Table Kit
<b>PTS</b>	Overlay Square Top
<b>30</b>	Depth
<b>30</b>	Width
<b>D</b>	Desk Height
<b>C</b>	Color Core Laminate
<b>311</b>	Solid Gallery White Top
<b>V440</b>	Natural Hemlock Edge
<b>118T</b>	Bright White Paint
<b>118T</b>	Bright White Paint

#### Included With

- Tables**
- Antenna Top
  - (2) Rails
  - (2) End Legs
  - (4) Cradles
  - (4) Leveling Glides
  - Attachment Hardware

#### Options

- Table**
- Top Finish Options:**  
(C) = Color Core Laminate  
(V) = Veneer
- Leg Finish Options:**
- Table Desk End Legs are available in Knoll core paints, Dark Red (130) and Slate blue (131) paint finishes, as well as polished chrome (PD) finish.
- Add the chrome base upcharge to the table list price when the table base is specified with a chrome finish.

### Antenna Y-base Tables

Antenna Y-base tables offer unobstructed kneespace and advanced cable management in compact shapes designed for small workstations and meeting spaces. Y-base tables combine standard detail laminate or veneer Antenna tops with a grommet centered over posts with an integral wire management channel and a low profile, three-spoke "Y" base or "bowtie" shape base.

**Round tables** 36" in diameter are available in three heights of Y-shape bases: 24½" medium height, 28½" desk height and 36½" standing height. The lowest of these is suitable for use of portable electronics in casual work areas. Round tables 42" in diameter are available in 24½" medium height and 28½" desk height only. Base spokes extend to align with the perimeter of the top.

**Track shape tables** 72" x 36" and 84" x 42" are available in two heights of bowtie-shape bases with two columns: 28½" desk height and 36½" standing height.

**Rectangular top tables** 72" x 36" and 84" x 42" are available in two heights of the same bowtie-shape bases as track-shape tables: 28½" desk height and 36½" standing height.

### Construction

Antenna tops are nominal 1<sup>3</sup>/<sub>16</sub>" thick with a laminate or veneer surface finish. Laminate tops have a laminate top surface with an FSC-certified particle board core and a neutral tone backer sheet for a balanced construction. Edges can match the top or contrast in color, in 2.8mm ABS with 2.4mm radius tops and bottom edges. Long edges of rectangular tops overlap side edges with a 2.4mm radius on outside corners.

Techwood and natural veneer tops have a veneer top surface, an FSC-certified particle board core and a neutral tone backer sheet for balanced constructions. Veneer tops have matching finish 2.0mm solid veneer or ABS edges on all sides. Top and bottom edges have a 2.0mm radius. Veneer grain direction is parallel to long sides of track shape and rectangular tops.

**Round tables** in 36" diameter include a formed steel, three-prong top plate, 2½" diameter aluminum center post with vertical wire manager and removable aluminum access cover, solid hub weldment, and three 1¼" square steel tube base spokes with end caps. Track shape and rectangular tables 36" x 72" include two 2½" center posts, joined with hub weldments to two spokes and a 1¼" square steel tube stretcher between posts. Each spoke includes a 1½" leveler with 3⁄8" stems and continuous ¾" adjustment range.

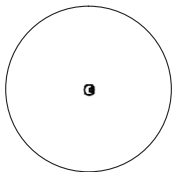
**Round tables** in 42" diameter include a steel, three-prong top plate, 3" diameter aluminum center post with vertical wire manager and removable aluminum access cover, solid hub weldment, and three 1½" square steel tube base spokes with end caps. Track shape and rectangular tables 42" x 84" include two 3" diameter center posts, joined with hub weldments to two spokes and a 2½" square steel tube stretcher between posts. Each spoke includes a 1½" leveler with 3⁄8" stems and continuous ¾" adjustment range.

### Specification Options

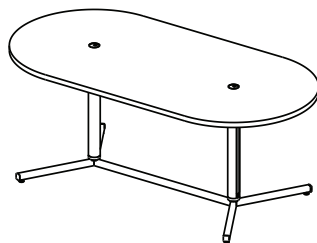
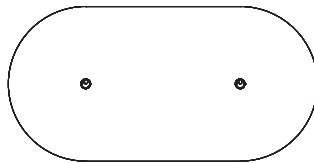
Table tops may be specified in any Antenna solid, pattern or woodgrain laminate, with matching or contrasting ABS edge, or in any Antenna Techwood or natural veneer with matching solid veneer or ABS edge. Round tops may be specified with or without 2" dia. center grommet, in painted aluminum liner and flush round cap with mousehole. Track and rectangular shapes may be specified with or without two grommets centered over posts.

Top plate is painted black. Base column, spokes and stretchers may be specified in any standard Antenna painted finish.

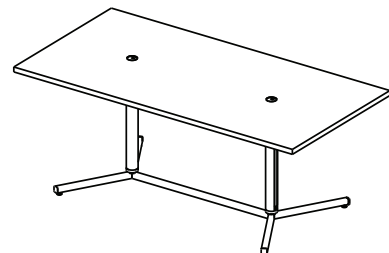
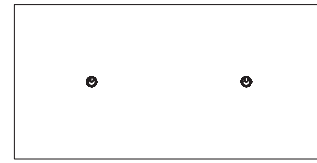
Grommet may be specified in any standard Antenna painted finish.



Round Table, 36" or 42"  
Top in Medium, Desk  
Height or Standing Height



Track Shape Table,  
36" x 72" or 42" x 84" Top in  
Desk or Standing Height



Rectangular Top Table,  
72" x 36" or 84" x 42" Top in  
Desk or Standing Height

# Y-base tables

## Planning Guidelines and Specifications

### 36" Round in Medium, Desk Height and Standing Height



### 42" Round in Medium and Desk Heights



### 36" x 72" and 42" x 84" Track Shapes in Desk and Standing Heights



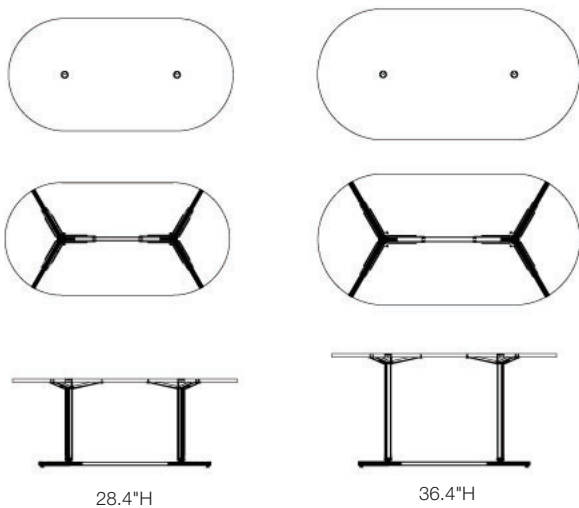
### 72" x 36" and 84" x 42" Rectangles in Desk and Standing Heights



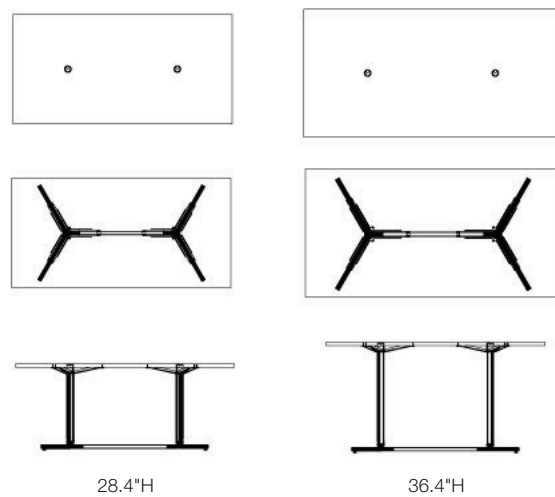
### Elevation View of 36" Diameter Table at Medium, Desk and Standing Height



### Track Shape Tables, 36" x 72", 42" x 84" in Desk Height and Standing Height





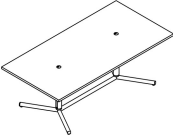
### Rectangular Tables, 72 x 36", 84 x 42", in Desk Height and Standing Height



# Y-base tables

## Antenna tops

### Round, track and rectangle

description	type	w	d	h	pattern no.	Laminate (L)	V1 (V)	V2 (V)	V3 (V)	
Tables with Round Shape Antenna Tops 	medium height	36" dia.		24 1/2"	<b>YKTR36YMG</b>	\$1,300.	\$2,785.	\$2,838.	\$3,156.	
		42" dia.		24 1/2"	<b>YKTR42YMG</b>	1,617.	3,103.	3,183.	3,527.	
	desk height	36" dia.		28 1/2"	<b>YKTR36YDG</b>	1,353.	2,838.	2,891.	3,209.	
		42" dia.		28 1/2"	<b>YKTR42YDG</b>	1,671.	3,156.	3,236.	3,580.	
	standing height	36" dia.		36 1/2"	<b>YKTR36YHG</b>	1,432.	2,917.	2,970.	3,289.	
Tables with Track Shape Antenna Tops 	desk height	72"	36"	28 1/2"	<b>YKTT7236YDG</b>	2,705.	4,005.	4,085.	4,588.	
		84"	42"	28 1/2"	<b>YKTT8442YDG</b>	3,395.	4,615.	4,721.	5,358.	
	standing height	72"	36"	36 1/2"	<b>YKTT7236YHG</b>	2,865.	4,164.	4,244.	4,748.	
		84"	42"	36 1/2"	<b>YKTT8442YHG</b>	3,554.	4,774.	4,880.	5,517.	
	Tables with Rectangle Shape Antenna Tops 	desk height	72"	36"	28 1/2"	<b>YKTS7236YDG</b>	2,599.	2,812.	2,917.	3,395.
			84"	42"	28 1/2"	<b>YKTS8442YDG</b>	3,156.	3,395.	3,554.	4,190.
standing height		72"	36"	36 1/2"	<b>YKTS7236YHG</b>	2,758.	2,970.	3,183.	3,660.	
		84"	42"	36 1/2"	<b>YKTS8442YHG</b>	3,315.	3,554.	3,713.	4,350.	

#### Ordering Information

##### Tables

1. Pattern Number
2. Grommet / no grommet
3. Top surface type
4. Top finish
5. Edge Finish  
(for laminate tops only)
6. Base finish (paint)
7. Grommet finish (paint)

#### Order Code

##### Tables

*Example:* **YKTR36YMG**L, **118T**, **118T**, **118T**, **118T**

<b>YK</b>	Antenna Assembly
<b>T</b>	Antenna Square Top
<b>R</b>	Shape
<b>36</b>	Size
<b>Y</b>	Base Type
<b>L</b>	Laminate
<b>118T</b>	Bright White Top
<b>118T</b>	Bright White Edge
<b>118T</b>	Bright White Base
<b>118T</b>	Bright White Grommet

#### Included With

##### Tables

Antenna Top  
 Top plate(s)  
 Center post  
 Base spokes  
 Levelers  
 Attachment Hardware

#### Options

##### Table

(G) Grommet(s)  
 (N) No grommet  
 For no grommets, deduct \$25 for round. Deduct \$50 for track shape and rectangle tops

##### Top Finish Options:

(L) = Laminate  
 (V) = Veneer

Top may be specified in any Knoll core laminate or veneer.

##### Leg Finish Options:

End Legs are available in Knoll core paints, Dark Red (130) and Slate blue (131) paint finishes.

# Media Enclave

## Planning Guidelines and Specifications

Media Enclave is a complete Antenna Workspaces activity space for small group meetings of three or four participants. Media Enclaves are ready to accept center beam mounted Sapper post with TV, and can discreetly manage collaborative technology to link meeting participants. Media Enclave facilitates change in technology or even reconfiguration into other sizes of work space.

Media Enclave is preconfigured from standard Antenna big table components for ease of ordering and planning. Media Enclave kits include table, table with end panel, and power for either table, each orderable with a single pattern number.

Media Enclave table includes two 60" x 24" tops with full width hinged access, an 18" x 53 1/2" extension top, two end legs, rails, center beam, beam top and end caps and beam mounted cable holders, 39" x 12" cable basket and all hardware for assembly. Media Enclave table plans as overall 78"W x 53 1/2"D x 28 1/2"H.

Media Enclave with End Panel includes 56"H x 53 1/2"W x 1 1/4" thick end panel in laminate surface, in addition to tops, end legs, rails, center beam, top cap, end cap and cable holders, cable basket and attachment hardware.

Media Enclave power kit mounts directly under center beam and includes power harness and covers, four duplex outlets on one circuit, and power infeed cable with pigtail to be field hardwired to a code approved junction box (not included).

### Construction

Tops and full width hinged surfaces are 1 3/16" thick with a laminate top surface, FSC-certified particle board core and a neutral tone backer sheet for balanced construction. Edgeband in 2.8mm ABS matches the top in color, with 2.4mm radii on top and bottom edges.

Rails are powder-coat painted 1 1/4" square steel tube with die cast aluminum end caps. Center beam is powder coat painted aluminum extrusion with continuous slots on front, back and underside for attachments and a center slot for attaching Sapper monitor masts, platform and other accessories. Beam end caps are painted steel.

End legs are steel weldments with 1" square legs and a 2 1/2" horizontal rail. Legs include 2 1/2" levelers with 3/8" stems and continuous 1 1/2" adjustment range. Legs include cradles and rail clamps in cast aluminum with countersunk fasteners into legs, mating parts and tops.

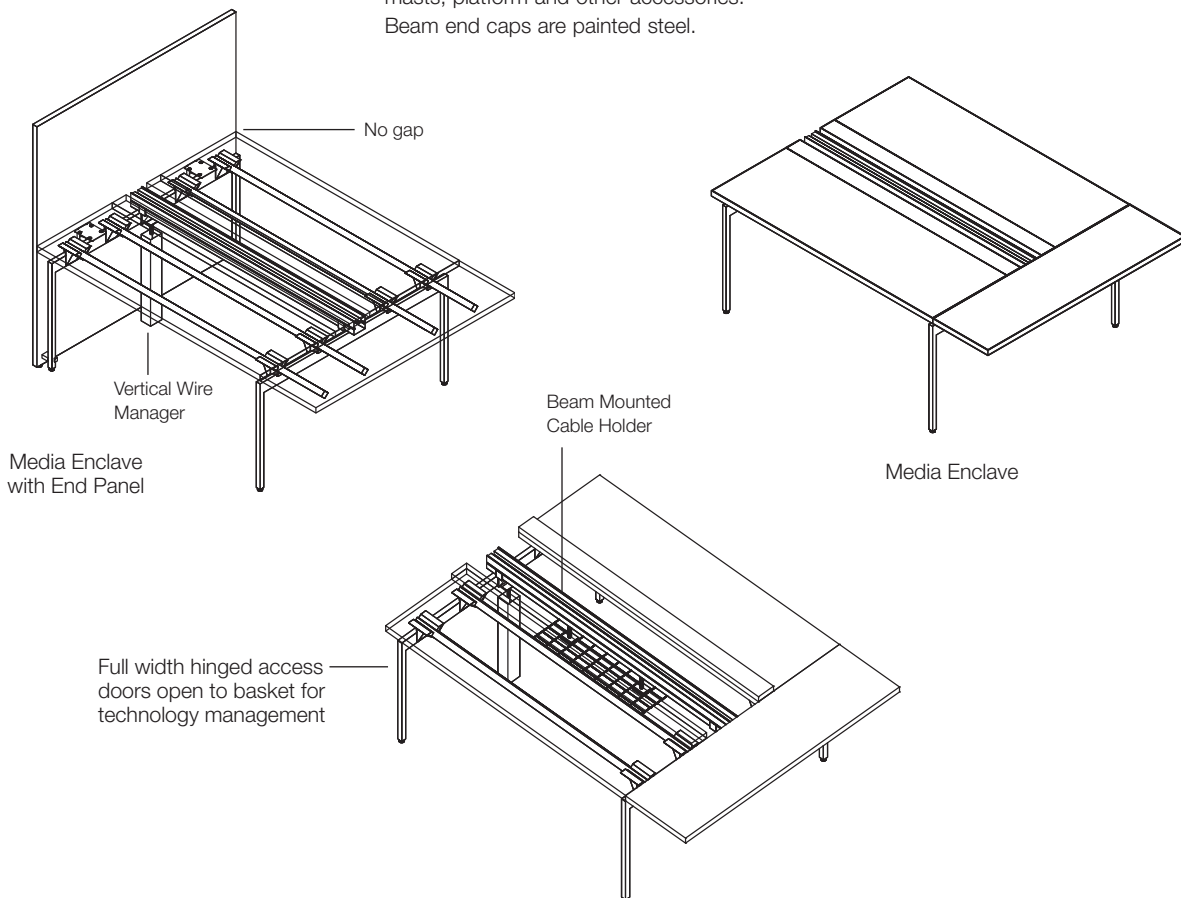
End panels are 1 3/16" thick with two laminate surfaces on FSC-certified particle board core. Edgeband in 2.8mm ABS matches the faces in color, with 2.4mm radii on top and vertical edges.

### Specification Options

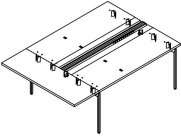
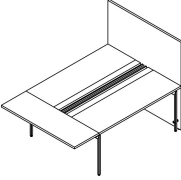
Table tops may be specified in any Antenna solid laminate, with matching ABS edges. End panel can be specified in the same laminate as tops or in a contrasting laminate.

Legs and rails may be specified in any Antenna core paint finish. Center beam and end caps can be specified in the same or contrasting Antenna core paint finish.

Specify power components kit separately.

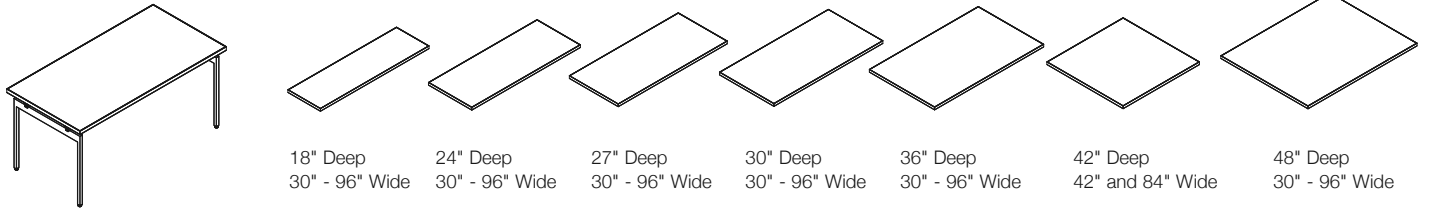


Media Enclave  
*Antenna tops  
 laminate only*

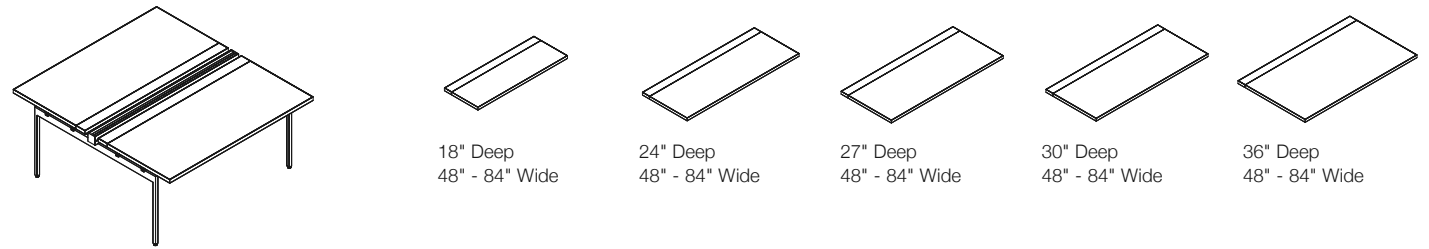
description	w	d	h	pattern no.	L	LM
Media enclave 	78"	53 1/2"	28 1/2"	<b>YKME7854NE</b>	\$4,219.	
Media enclave with end panel 	78"	53 1/2"	56"	<b>YKME7854HE</b>	5,084.	5,306.
Power kit for media enclave				<b>YKME4DA</b>	640.	

Ordering Information	Order Code	Included With	Options
<b>Media Enclave</b> 1. Pattern Number 2. Top finish 3. Edge Finish (matches top finish) 4. Center beam finish 5. Base finish	<b>Media Enclave</b> <i>Example:</i> <b>YKME7854NEL</b> <b>118,118,118,118</b> <b>YK</b> Antenna Assembly <b>ME</b> Media Enclave <b>78</b> Width <b>54</b> Depth <b>NE</b> No end panel <b>L</b> Laminate <b>118</b> Top laminate <b>118</b> Top edge <b>118</b> Center beam finish <b>118</b> Base finish	<b>Media Enclave</b> Antenna Top Center beam End Legs Rails Connecting Hardware End panel ( if applicable)	<b>Media Enclave</b> HE high end panel NE no end panel <b>Top Finish Options:</b> (L) = Laminate Top may be specified in any Knoll core laminate with matching edge. <b>Leg Finish Options:</b> Legs may be specified in any Knoll core paints, Dark Red (130) and Slate blue (131) paint finishes.

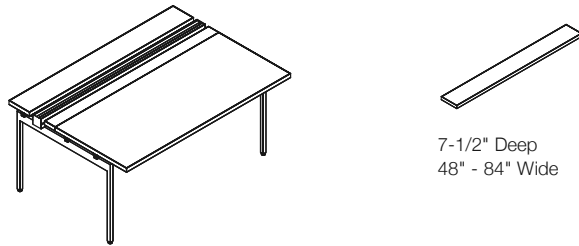
**Rectangular Tops for Desks or Big Tables**



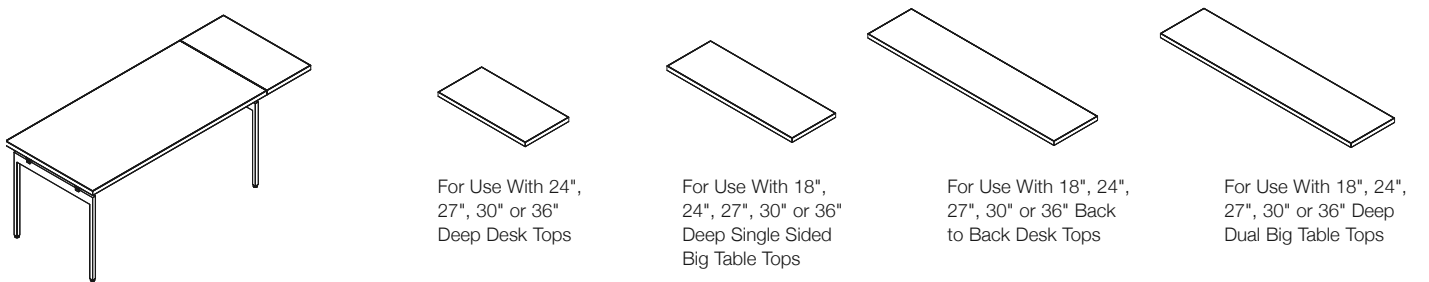
**Rectangular with Hinged Access Tops for Big Tables**



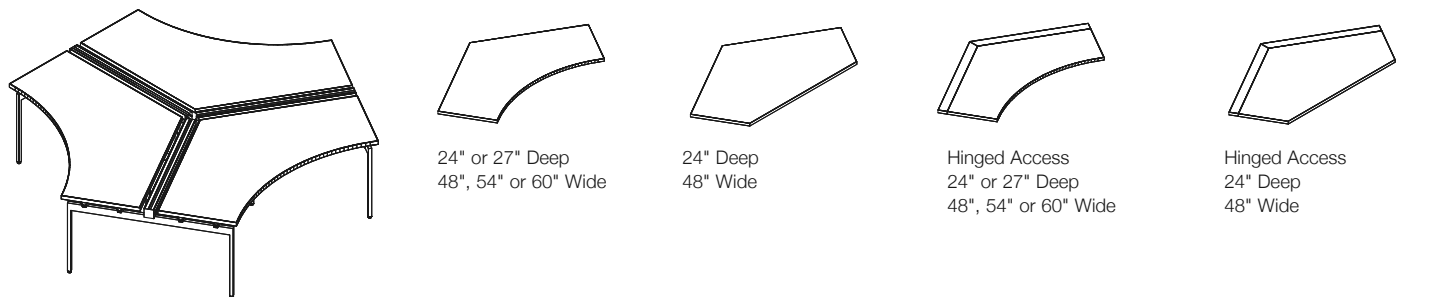
**Back Tops for Single Sided Big Table**



**Extension Tops for Desks or Big Tables**

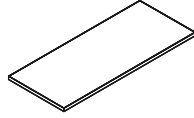
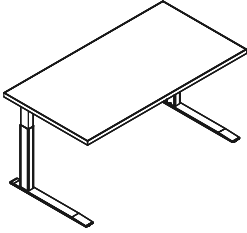


**120 Degree Tops for Big Tables**

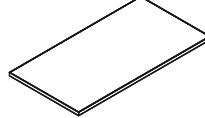




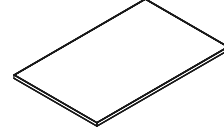
**C-Leg and T-Leg Table Tops**



24" Deep  
36" - 72" Wide

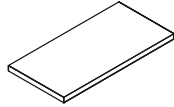
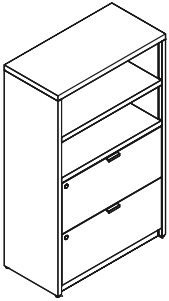


30" Deep  
36" - 72" Wide

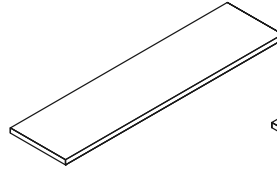


36" Deep  
48" - 72" Wide

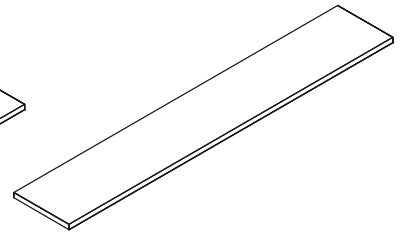
**Full Width Template Tops**



Single Unit Cases  
24" - 48" Wide

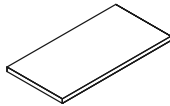
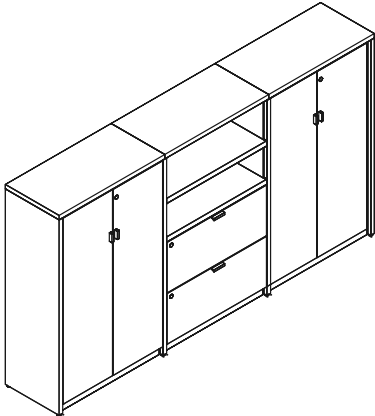


Double Unit Cases  
48" - 96" Wide

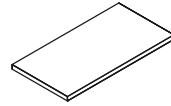


Triple Unit Cases  
72" - 96" Wide

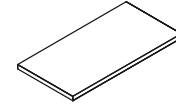
**End and Mid Position Template Tops**



End Position,  
Single Unit Cases  
18" - 48" Wide

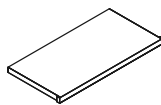
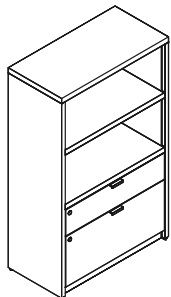


End Position,  
Multiple Unit Cases  
60" - 96" Wide

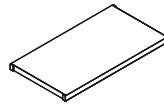


Mid Position  
24" - 48" Wide

**Template Worksurface Shelves**



Single-Sided  
18" - 72" Wide



Dual-Sided  
18" - 72" Wide

**Tops**

Tops for Antenna Workspaces are the central element in any type of planning. Tops are available in two types: Antenna tops, in laminate or veneer, and Overlay tops, in laminate or veneer top surface with solid wood edge.

**Antenna Tops**

Antenna tops are designed in straightforward rectangular shapes optimized for stand-alone applications as well as linking side by side or at right angles, or in big tables. Tops are universal in application as tables, desks, returns, or bridges.

Tops for desks or tables are full dimension, 18", 24", 27", 30", 36", 42" and 48" depths, and available in every 6" increment of width from 30"-96". 18" deep tops are for return or bridge applications. Tops 18"-36" deep in widths from 48"-84" can also be planned in big table applications.

Tops with hinged access are dedicated to big table applications, with a full width or partial 24" wide, 3 3/4" deep hinged section for easy access to outlets and wire management below the center beam. Hinged access tops are available in 18", 24", 27", 30" and 36" overall depths and widths from 48"-84" in all 6" increments.

Back tops are specified for single sided big tables. They are 7.5" deep and match desk widths in 6" increments from 48"-84". Back tops are supported by a single rail on the other side of the center beam from the primary top.

Extension tops plan at the end of a desk, back to back desks or big table. They are 15" wide and match desks 24", 27", 30" or 36" deep. Extension tops for back to back desks are 15" wide and match tops 18", 24", 27", 30" or 36" deep with overall depths of 39-3/4", 51 3/4", 57 3/4", 63 3/4" or 75 3/4". Extension tops for dual big tables are 15" or 18" wide and match overall dual big table depths of 41 1/2", 53 1/2", 59 1/2", 65 1/2" and 77 1/2". Extension tops 15" wide are also available for single sided 18", 24", 27", 30" or 36" deep big tables with overall depth of 31", 37", 40", 43", or 49". Extension tops can be planned in the same or contrasting surface finish as adjacent laminate or veneer tops. Desk and big table connector kits and rails 12" wider than the adjacent top are needed for 15" wide extension top, or 15" wider for 18" wide extension top.

**Construction**

Antenna tops are nominal 1 3/16" thick with a laminate or veneer surface finish.

Laminate tops have a laminate top surface with an FSC-certified particle board core and a neutral tone backer sheet for balanced construction. Edges can match the top

or contrast in color, in 2.8mm ABS with 2.4mm radius top and bottom edges.

Front and back edges overlap ends with a 2.4 mm radius on outside corners. Acrylonitrile Butadiene Styrene (ABS) is a polymer used as an alternative to PVC and rubber. It is phthalate-free, flame retardant, has high heat and impact resistance, good processability, dimensional stability and high gloss.

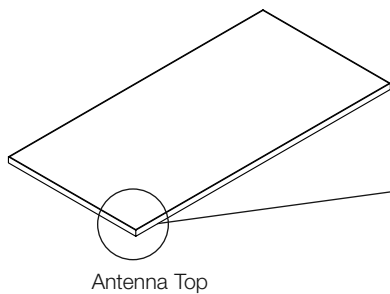
Techwood and natural veneer tops have a veneer top surface, an FSC-certified particle board core and a neutral tone backer sheet for balanced construction. Veneer tops have matching finish 2.0mm solid veneer edges on all sides. Top and bottom edges have a 2.0mm radius. Veneer grain direction is parallel to front edge on desk tops, and parallel to end on extension tops.

All tops have pilot holes for the two most common mounting conditions for desk legs and return connections: legs inset 1 1/2" or 5 1/2" from the both ends of the top.

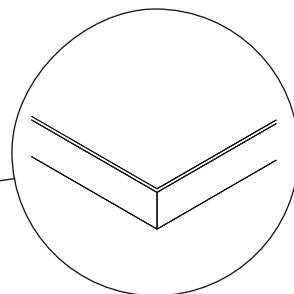
**Specification Options**

Tops available in any Knoll core laminate or veneer finish. For laminate tops, specify edgeband to match any Knoll core laminate. For veneer tops, edge must match top.

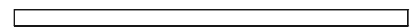
Laminate tops with centered hinged access door must specify a solid color laminate for the door. Edge finish for the door defaults to the edge finish selected for the top.



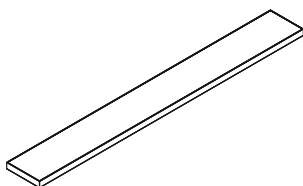
Antenna Top



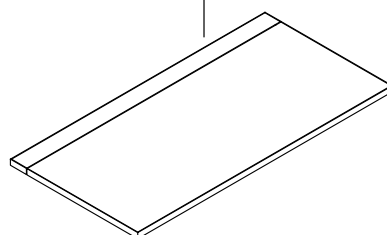
3 3/4" Hinged Access



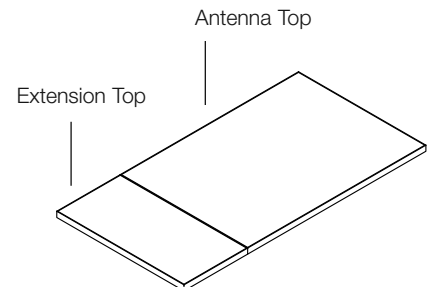
Antenna Top End Elevation



Back Top for Single Sided Big Table



Antenna Hinged Access Top

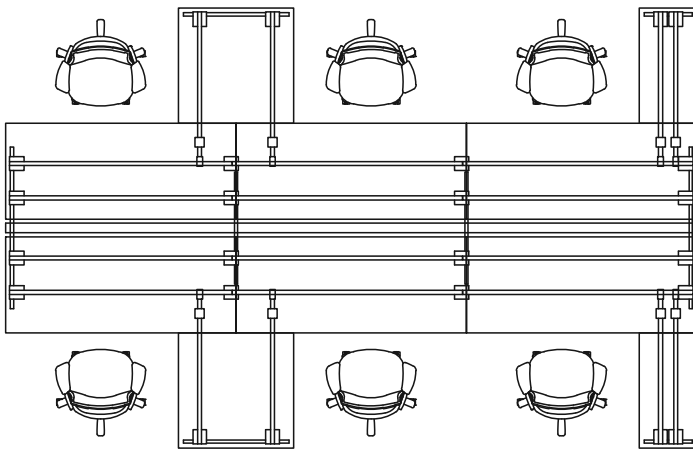


Antenna Desk Top with Extension Top

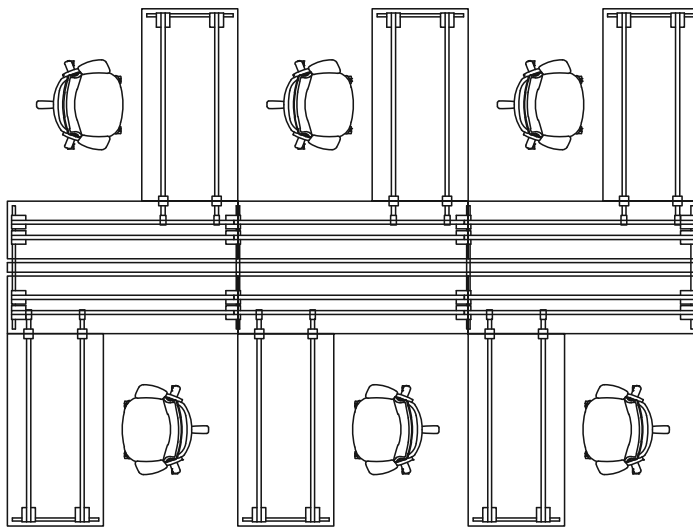
**Return Top Applications**

Antenna tops of any depth can serve as returns for desks or big tables at any point. For example 36", 42" or 48" deep tops can be a cost-effective shared return centered on adjacent linked desks or big table tops. These can be supported by a single pair of return rails and a desk end leg or table desk end leg.

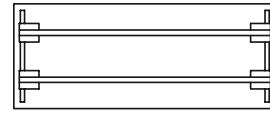
In another type of planning, 27" or 30" deep tops can become individual, primary desk surfaces as returns off of a 24" deep big table "spine".



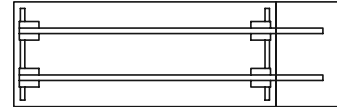
30" Deep Dual Sided Big Table with Returns as Secondary Workspaces



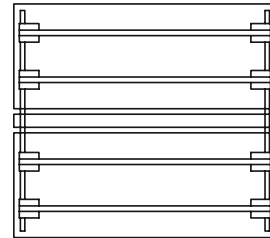
18" Deep Dual Sided Big Table with Returns as Primary Workspaces



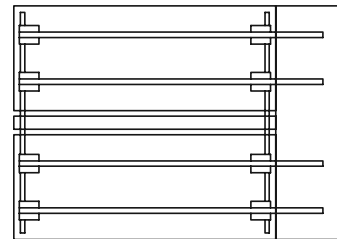
Rectangular Table



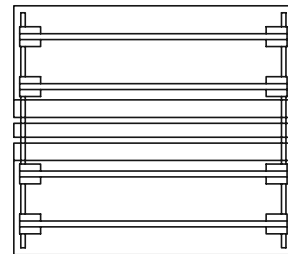
Rectangular Desk with Extension Top



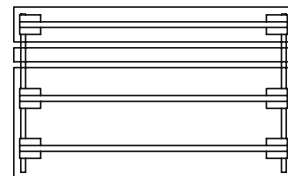
Dual Sided Big Table



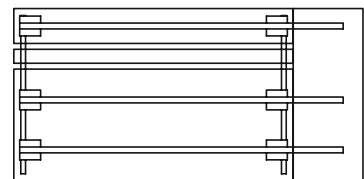
Dual Sided Big Table with Extension Top



Dual Sided Big Table with Hinged Access Tops





Single Sided Big Table



Single Sided Big Table with Extension Top

# Antenna Tops For Desks or Big Tables

## 18" and 24" Deep Rectangular

description	w	d	h	pattern no.	Laminate (L)	V1 (V)	V2 (V)	V3 (V)
Antenna Tops, 18" Deep Rectangular 	30"	18"	1 1/4"	<b>YT3018</b>	\$179.	\$407.	\$467.	\$632.
	36"	18"	1 1/4"	<b>YT3618</b>	201.	429.	494.	667.
	42"	18"	1 1/4"	<b>YT4218</b>	233.	453.	521.	703.
	48"	18"	1 1/4"	<b>YT4818</b>	259.	470.	541.	731.
	54"	18"	1 1/4"	<b>YT5418</b>	275.	493.	569.	766.
	60"	18"	1 1/4"	<b>YT6018</b>	299.	517.	596.	802.
	66"	18"	1 1/4"	<b>YT6618</b>	322.	539.	620.	838.
	72"	18"	1 1/4"	<b>YT7218</b>	340.	563.	647.	873.
	78"	18"	1 1/4"	<b>YT7818</b>	365.	584.	673.	909.
	84"	18"	1 1/4"	<b>YT8418</b>	384.	614.	705.	953.
	90"	18"	1 1/4"	<b>YT9018</b>	427.	643.	734.	995.
96"	18"	1 1/4"	<b>YT9618</b>	474.	665.	763.	1,029.	
Antenna Tops, 24" Deep Rectangular 	30"	24"	1 1/4"	<b>YT3024</b>	207.	443.	508.	687.
	36"	24"	1 1/4"	<b>YT3624</b>	231.	464.	535.	722.
	42"	24"	1 1/4"	<b>YT4224</b>	264.	488.	562.	757.
	48"	24"	1 1/4"	<b>YT4824</b>	295.	510.	586.	793.
	54"	24"	1 1/4"	<b>YT5424</b>	320.	544.	626.	846.
	60"	24"	1 1/4"	<b>YT6024</b>	345.	579.	666.	900.
	66"	24"	1 1/4"	<b>YT6624</b>	373.	603.	693.	935.
	72"	24"	1 1/4"	<b>YT7224</b>	388.	625.	720.	971.
	78"	24"	1 1/4"	<b>YT7824</b>	418.	654.	753.	1,017.
	84"	24"	1 1/4"	<b>YT8424</b>	443.	684.	785.	1,061.
	90"	24"	1 1/4"	<b>YT9024</b>	498.	711.	818.	1,105.
96"	24"	1 1/4"	<b>YT9624</b>	542.	739.	851.	1,149.	

Tops

### Ordering Information

#### Antenna Tops

1. Pattern Number
2. Top Finish
3. Edge Finish  
(for laminate tops only)

### Order Code

#### Antenna Tops

*Example:* **YT7824L, 118, 118**

<b>YT</b>	Pattern Number
<b>78</b>	Width
<b>24</b>	Depth
<b>L</b>	Laminate
<b>118</b>	Bright White Top
<b>118</b>	Bright White Edge

### Included With

#### Antenna Tops

### Options

#### Antenna Tops

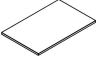

#### Top Finish Options:

Add an (L) for laminate or (V) for veneer suffix to pattern number.

Specify 18" deep tops for return or bridge applications only.

# Antenna Tops For Desks or Big Tables

## 27" and 30" Deep Rectangular

description	w	d	h	pattern no.	Laminate (L)	V1 (V)	V2 (V)	V3 (V)
Antenna Tops, 27" Deep Rectangular 	30"	27"	1 1/4"	<b>YT3027</b>	\$233.	\$459.	\$528.	\$713.
	36"	27"	1 1/4"	<b>YT3627</b>	259.	488.	562.	757.
	42"	27"	1 1/4"	<b>YT4227</b>	289.	510.	586.	793.
	48"	27"	1 1/4"	<b>YT4827</b>	320.	539.	620.	838.
	54"	27"	1 1/4"	<b>YT5427</b>	356.	574.	660.	890.
	60"	27"	1 1/4"	<b>YT6027</b>	387.	608.	699.	944.
	66"	27"	1 1/4"	<b>YT6627</b>	425.	625.	720.	971.
	72"	27"	1 1/4"	<b>YT7227</b>	445.	648.	747.	1,006.
	78"	27"	1 1/4"	<b>YT7827</b>	475.	676.	779.	1,051.
	84"	27"	1 1/4"	<b>YT8427</b>	504.	705.	811.	1,096.
	90"	27"	1 1/4"	<b>YT9027</b>	552.	739.	851.	1,149.
96"	27"	1 1/4"	<b>YT9627</b>	598.	769.	885.	1,193.	
Antenna Tops, 30" Deep Rectangular 	30"	30"	1 1/4"	<b>YT3030</b>	259.	483.	554.	749.
	36"	30"	1 1/4"	<b>YT3630</b>	285.	517.	596.	802.
	42"	30"	1 1/4"	<b>YT4230</b>	312.	534.	614.	828.
	48"	30"	1 1/4"	<b>YT4830</b>	345.	574.	660.	890.
	54"	30"	1 1/4"	<b>YT5430</b>	392.	608.	699.	944.
	60"	30"	1 1/4"	<b>YT6030</b>	431.	643.	738.	997.
	66"	30"	1 1/4"	<b>YT6630</b>	481.	654.	753.	1,017.
	72"	30"	1 1/4"	<b>YT7230</b>	498.	677.	779.	1,051.
	78"	30"	1 1/4"	<b>YT7830</b>	533.	705.	811.	1,096.
	84"	30"	1 1/4"	<b>YT8430</b>	566.	734.	845.	1,141.
	90"	30"	1 1/4"	<b>YT9030</b>	608.	769.	885.	1,193.
96"	30"	1 1/4"	<b>YT9630</b>	651.	797.	916.	1,238.	

### Ordering Information

#### Antenna Tops

1. Pattern Number
2. Top Finish
3. Edge Finish  
(for laminate tops only)

### Order Code

#### Antenna Tops

*Example:* **YT7827L, 118, 118**

<b>YT</b>	Pattern Number
<b>78</b>	Width
<b>27</b>	Depth
<b>L</b>	Laminate
<b>118</b>	Bright White Top
<b>118</b>	Bright White Edge

### Included With

#### Antenna Tops

### Options


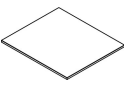
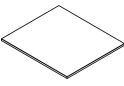
#### Antenna Tops

#### Top Finish Options:

Add an (L) for laminate or (V) for veneer suffix to pattern number.

# Antenna Tops For Desks or Big Tables

## 36", 42" and 48" Deep Rectangular

description	w	d	h	pattern no.	Laminate (L)	V1 (V)	V2 (V)	V3 (V)
Antenna Tops, 36" Deep Rectangular 	30"	36"	1 1/4"	<b>YT3036</b>	\$283.	\$517.	\$596.	\$802.
	36"	36"	1 1/4"	<b>YT3636</b>	314.	550.	633.	854.
	42"	36"	1 1/4"	<b>YT4236</b>	342.	584.	673.	909.
	48"	36"	1 1/4"	<b>YT4836</b>	378.	619.	713.	961.
	54"	36"	1 1/4"	<b>YT5436</b>	429.	654.	753.	1,017.
	60"	36"	1 1/4"	<b>YT6036</b>	475.	689.	792.	1,069.
	66"	36"	1 1/4"	<b>YT6636</b>	528.	723.	831.	1,121.
	72"	36"	1 1/4"	<b>YT7236</b>	548.	757.	871.	1,177.
	78"	36"	1 1/4"	<b>YT7836</b>	584.	792.	911.	1,229.
	84"	36"	1 1/4"	<b>YT8436</b>	622.	826.	950.	1,283.
	90"	36"	1 1/4"	<b>YT9036</b>	668.	861.	990.	1,336.
96"	36"	1 1/4"	<b>YT9636</b>	717.	889.	1,023.	1,381.	
Antenna Tops, 42" Deep Rectangular 	42"	42"	1 1/4"	<b>YT4242</b>	370.	628.	723.	976.
	84"	42"	1 1/4"	<b>YT8442</b>	685.	888.	1,022.	1,380.
Antenna Tops, 48" Deep Rectangular 	30"	48"	1 1/4"	<b>YT3048</b>	328.	598.	687.	927.
	36"	48"	1 1/4"	<b>YT3648</b>	361.	625.	720.	971.
	42"	48"	1 1/4"	<b>YT4248</b>	396.	671.	772.	1,041.
	48"	48"	1 1/4"	<b>YT4848</b>	454.	711.	818.	1,105.
	54"	48"	1 1/4"	<b>YT5448</b>	517.	752.	867.	1,169.
	60"	48"	1 1/4"	<b>YT6048</b>	571.	792.	911.	1,229.
	66"	48"	1 1/4"	<b>YT6648</b>	633.	831.	957.	1,292.
	72"	48"	1 1/4"	<b>YT7248</b>	659.	871.	1,001.	1,353.
	78"	48"	1 1/4"	<b>YT7848</b>	702.	911.	1,048.	1,413.
	84"	48"	1 1/4"	<b>YT8448</b>	747.	950.	1,093.	1,475.
	90"	48"	1 1/4"	<b>YT9048</b>	803.	990.	1,139.	1,536.
96"	48"	1 1/4"	<b>YT9648</b>	861.	1,023.	1,177.	1,588.	

Tops

### Ordering Information

#### Antenna Tops

1. Pattern Number
2. Top Finish
3. Edge Finish (for laminate tops only)

### Order Code

#### Antenna Tops

*Example:* **YT7836L, 118, 118**

<b>YT</b>	Pattern Number
<b>78</b>	Width
<b>36</b>	Depth
<b>L</b>	Laminate
<b>118</b>	Bright White Top
<b>118</b>	Bright White Edge

### Included With

#### Antenna Tops

### Options

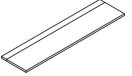
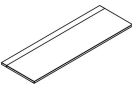
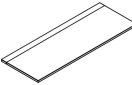
#### Antenna Tops

#### Top Finish Options:

Add an (L) for laminate or (V) for veneer suffix to pattern number.

# Antenna Hinged Access Tops for Big Tables

## 18", 24" and 27" Deep Rectangular

description	w	d	h	pattern no.	Laminate (L)	V1 (V)	V2 (V)	V3 (V)
Antenna Big Table Tops with Hinged Access, 18" Deep 	48"	18"	1 1/4"	<b>YTH4818</b>	\$593.	\$805.	\$875.	\$1,065.
	54"	18"	1 1/4"	<b>YTH5418</b>	609.	827.	903.	1,100.
	60"	18"	1 1/4"	<b>YTH6018</b>	633.	851.	930.	1,136.
	66"	18"	1 1/4"	<b>YTH6618</b>	656.	873.	955.	1,173.
	72"	18"	1 1/4"	<b>YTH7218</b>	674.	897.	981.	1,207.
	78"	18"	1 1/4"	<b>YTH7818</b>	699.	918.	1,008.	1,243.
	84"	18"	1 1/4"	<b>YTH8418</b>	719.	948.	1,039.	1,287.
Antenna Big Table Tops with Hinged Access, 24" Deep 	48"	24"	1 1/4"	<b>YTH4824</b>	595.	809.	931.	1,256.
	54"	24"	1 1/4"	<b>YTH5424</b>	618.	844.	970.	1,309.
	60"	24"	1 1/4"	<b>YTH6024</b>	644.	877.	1,009.	1,363.
	66"	24"	1 1/4"	<b>YTH6624</b>	671.	901.	1,036.	1,399.
	72"	24"	1 1/4"	<b>YTH7224</b>	688.	923.	1,063.	1,434.
	78"	24"	1 1/4"	<b>YTH7824</b>	716.	952.	1,096.	1,479.
	84"	24"	1 1/4"	<b>YTH8424</b>	739.	981.	1,128.	1,522.
Antenna Big Table Tops with Hinged Access, 27" Deep 	48"	27"	1 1/4"	<b>YTH4827</b>	618.	838.	964.	1,300.
	54"	27"	1 1/4"	<b>YTH5427</b>	654.	872.	1,002.	1,354.
	60"	27"	1 1/4"	<b>YTH6027</b>	687.	907.	1,042.	1,406.
	66"	27"	1 1/4"	<b>YTH6627</b>	725.	923.	1,063.	1,434.
	72"	27"	1 1/4"	<b>YTH7227</b>	741.	947.	1,089.	1,469.
	78"	27"	1 1/4"	<b>YTH7827</b>	774.	976.	1,121.	1,515.
	84"	27"	1 1/4"	<b>YTH8427</b>	802.	1,003.	1,154.	1,558.

### Ordering Information

#### Antenna Big Table Tops

1. Pattern Number
2. Top Finish
3. Edge Finish  
(for laminate tops only)
4. Paint Finish

### Order Code

#### Antenna Big Table Tops

*Example:* **YTH7827L, 118, 118, 118T**

<b>YT</b>	Pattern Number
<b>H</b>	Hinged Access
<b>78</b>	Width
<b>27</b>	Depth
<b>L</b>	Laminate
<b>118</b>	Bright White Top
<b>118</b>	Bright White Edge
<b>118T</b>	Bright White Paint

### Included With

#### Antenna Big Table Tops

### Options

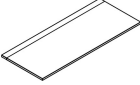
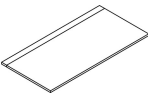
#### Antenna Big Table Tops

#### Top Finish Options:

Add an (L) for laminate or (V) for veneer suffix to pattern number.

# Antenna Hinged Access Tops for Big Tables

## 30" and 36" Deep Rectangular

description	w	d	h	pattern no.	Laminate (L)	V1 (V)	V2 (V)	V3 (V)
Antenna Big Table Tops with Hinged Access, 30" Deep 	48"	30"	1 1/4"	<b>YTH4830</b>	\$644.	\$872.	\$1,002.	\$1,354.
	54"	30"	1 1/4"	<b>YTH5430</b>	690.	907.	1,042.	1,406.
	60"	30"	1 1/4"	<b>YTH6030</b>	730.	941.	1,082.	1,461.
	66"	30"	1 1/4"	<b>YTH6630</b>	778.	958.	1,101.	1,487.
	72"	30"	1 1/4"	<b>YTH7230</b>	797.	976.	1,121.	1,515.
	78"	30"	1 1/4"	<b>YTH7830</b>	830.	1,003.	1,154.	1,558.
	84"	30"	1 1/4"	<b>YTH8430</b>	865.	1,032.	1,187.	1,603.
Antenna Big Table Tops with Hinged Access, 36" Deep 	48"	36"	1 1/4"	<b>YTH4836</b>	747.	987.	1,081.	1,329.
	54"	36"	1 1/4"	<b>YTH5436</b>	797.	1,022.	1,120.	1,384.
	60"	36"	1 1/4"	<b>YTH6036</b>	843.	1,056.	1,159.	1,437.
	66"	36"	1 1/4"	<b>YTH6636</b>	896.	1,091.	1,200.	1,489.
	72"	36"	1 1/4"	<b>YTH7236</b>	915.	1,125.	1,239.	1,544.
	78"	36"	1 1/4"	<b>YTH7836</b>	952.	1,159.	1,278.	1,597.
	84"	36"	1 1/4"	<b>YTH8436</b>	989.	1,194.	1,317.	1,650.

Tops

### Ordering Information

#### Antenna Tops

1. Pattern Number
2. Top Finish
3. Edge Finish  
(for laminate tops only)
4. Paint Finish

### Order Code

#### Antenna Tops

*Example:* **YTH7830L, 118, 118,**

**118T**

**YT** Pattern Number

**H** Hinged Access

**78** Width

**30** Depth

**L** Laminate

**118** Bright White Top

**118** Bright White Edge

**118T** Bright White Paint

### Included With

#### Antenna Tops

### Options

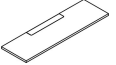
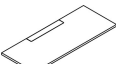
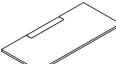
#### Antenna Tops

#### Top Finish Options:

Add an (L) for laminate or (V) for veneer suffix to pattern number.



# Antenna Centered Hinged Access Tops for Big Tables 18", 24" and 27" Deep Rectangular

description	w	d	h	pattern no.	Laminate (L)	V1 (V)	V2 (V)	V3 (V)
Antenna Big Table Tops with Centered Hinged Access, 18" Deep 	48"	18"	1 1/4"	<b>YTD4818</b>	\$593.	\$805.	\$875.	\$1,065.
	54"	18"	1 1/4"	<b>YTD5418</b>	609.	827.	903.	1,100.
	60"	18"	1 1/4"	<b>YTD6018</b>	633.	851.	930.	1,136.
	66"	18"	1 1/4"	<b>YTD6618</b>	656.	873.	955.	1,173.
	72"	18"	1 1/4"	<b>YTD7218</b>	674.	897.	981.	1,207.
	78"	18"	1 1/4"	<b>YTD7818</b>	699.	918.	1,008.	1,243.
	84"	18"	1 1/4"	<b>YTD8418</b>	719.	948.	1,039.	1,287.
Antenna Big Table Tops with Centered Hinged Access, 24" Deep 	48"	24"	1 1/4"	<b>YTD4824</b>	595.	809.	931.	1,256.
	54"	24"	1 1/4"	<b>YTD5424</b>	618.	844.	970.	1,309.
	60"	24"	1 1/4"	<b>YTD6024</b>	644.	877.	1,009.	1,363.
	66"	24"	1 1/4"	<b>YTD6624</b>	671.	901.	1,036.	1,399.
	72"	24"	1 1/4"	<b>YTD7224</b>	688.	923.	1,063.	1,434.
	78"	24"	1 1/4"	<b>YTD7824</b>	716.	952.	1,096.	1,479.
	84"	24"	1 1/4"	<b>YTD8424</b>	739.	981.	1,128.	1,522.
Antenna Big Table Tops with Centered Hinged Access, 27" Deep 	48"	27"	1 1/4"	<b>YTD4827</b>	618.	838.	964.	1,300.
	54"	27"	1 1/4"	<b>YTD5427</b>	654.	872.	1,002.	1,354.
	60"	27"	1 1/4"	<b>YTD6027</b>	687.	907.	1,042.	1,406.
	66"	27"	1 1/4"	<b>YTD6627</b>	725.	923.	1,063.	1,434.
	72"	27"	1 1/4"	<b>YTD7227</b>	741.	947.	1,089.	1,469.
	78"	27"	1 1/4"	<b>YTD7827</b>	774.	976.	1,121.	1,515.
	84"	27"	1 1/4"	<b>YTD8427</b>	802.	1,003.	1,154.	1,558.

### Ordering Information

#### Antenna Big Table Tops

1. Pattern Number
2. Top Finish
3. Door Finish  
(for laminate tops only)
4. Edge Finish  
(for laminate tops only)
5. Paint Finish

### Order Code

#### Antenna Big Table Tops

*Example:* **YTD7827L, 118, 118, 118, 118T**

<b>YT</b>	Pattern Number
<b>D</b>	Centered Hinged Access
<b>78</b>	Width
<b>27</b>	Depth
<b>L</b>	Laminate
<b>118</b>	Bright White Top
<b>118</b>	Bright White Door
<b>118</b>	Bright White Edge
<b>118T</b>	Bright White Paint

### Included With

#### Antenna Big Table Tops

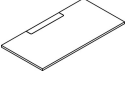
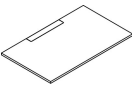
### Options

#### Antenna Big Table Tops

**Top Finish Options:**  
Add an (L) for laminate or (V) for veneer suffix to pattern number.

# Antenna Centered Hinged Access Tops for Big Tables

## 30" and 36" Deep Rectangular

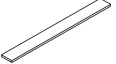
description	w	d	h	pattern number	Laminate (L)	V1 (V)	V2 (V)	V3 (V)
Antenna Big Table Tops with Centered Hinged Access, 30" Deep 	48"	30"	1 1/4"	<b>YTD4830</b>	\$644.	\$872.	\$1,002.	\$1,354.
	54"	30"	1 1/4"	<b>YTD5430</b>	690.	907.	1,042.	1,406.
	60"	30"	1 1/4"	<b>YTD6030</b>	730.	941.	1,082.	1,461.
	66"	30"	1 1/4"	<b>YTD6630</b>	778.	958.	1,101.	1,487.
	72"	30"	1 1/4"	<b>YTD7230</b>	797.	976.	1,121.	1,515.
	78"	30"	1 1/4"	<b>YTD7830</b>	830.	1,003.	1,154.	1,558.
	84"	30"	1 1/4"	<b>YTD8430</b>	865.	1,032.	1,187.	1,603.
Antenna Big Table Tops with Centered Hinged Access, 36" Deep 	48"	36"	1 1/4"	<b>YTD4836</b>	747.	987.	1,081.	1,329.
	54"	36"	1 1/4"	<b>YTD5436</b>	797.	1,022.	1,120.	1,384.
	60"	36"	1 1/4"	<b>YTD6036</b>	843.	1,056.	1,159.	1,437.
	66"	36"	1 1/4"	<b>YTD6636</b>	896.	1,091.	1,200.	1,489.
	72"	36"	1 1/4"	<b>YTD7236</b>	915.	1,125.	1,239.	1,544.
	78"	36"	1 1/4"	<b>YTD7836</b>	952.	1,159.	1,278.	1,597.
	84"	36"	1 1/4"	<b>YTD8436</b>	989.	1,194.	1,317.	1,650.

Tops

Ordering Information	Order Code	Included With	Options
<b>Antenna Big Table Tops</b> 1. Pattern Number 2. Top Finish 3. Door Finish (for laminate tops only) 4. Edge Finish (for laminate tops only) 5. Paint Finish	<b>Antenna Big Table Tops</b> <i>Example:</i> <b>YTD7827L, 118, 118, 118, 118T</b> <hr/> <b>YT</b> Pattern Number <hr/> <b>D</b> Centered Hinged Access <hr/> <b>78</b> Width <hr/> <b>27</b> Depth <hr/> <b>L</b> Laminate <hr/> <b>118</b> Bright White Top <hr/> <b>118</b> Bright White Door <hr/> <b>118</b> Bright White Edge <hr/> <b>118T</b> Bright White Paint	<b>Antenna Big Table Tops</b>	<b>Antenna Big Table Tops</b> <b>Top Finish Options:</b> Add an (L) for laminate or (V) for veneer suffix to pattern number.

# Antenna Back Tops for Single Sided Big Tables

## 7.5" Deep Rectangular

description	w	d	pattern no.	Laminate (L)	V1 (V)	V2 (V)	V3 (V)
Antenna Back Tops for Single Sided Big Tables, 7.5" Deep 	48"	7.5"	<b>YT4808</b>	\$182.	\$359.	\$413.	\$536.
	54"	7.5"	<b>YT5408</b>	193.	374.	429.	559.
	60"	7.5"	<b>YT6008</b>	225.	408.	470.	610.
	66"	7.5"	<b>YT6608</b>	232.	416.	478.	622.
	72"	7.5"	<b>YT7208</b>	241.	423.	487.	632.
	78"	7.5"	<b>YT7808</b>	246.	429.	494.	643.
	84"	7.5"	<b>YT8408</b>	252.	467.	538.	698.

### Ordering Information

#### Antenna Tops

1. Pattern Number
2. Top Finish
3. Edge Finish  
(for laminate tops only)

### Order Code

#### Antenna Tops

*Example:* **YT5408L, 118, 118**

<b>YT</b>	Top
<b>54</b>	Width
<b>08</b>	Depth
<b>L</b>	Laminate
<b>118</b>	Bright White Top
<b>118</b>	Bright White Edge

### Included With

#### Antenna Tops

### Options






#### Antenna Tops

#### Top Finish Options:

Add an (L) for laminate or (V) for veneer suffix to pattern number.

# Antenna Extension Tops for Desks and Big Tables

## 15" and 18" Wide Rectangular

description	type	w	d	h	pattern no.	Laminate (L)	V1 (V)	V2 (V)	V3 (V)
Antenna Desk Extension Tops, 15" Wide Rectangular 	For use with 24" deep desk tops	15"	24"	1 1/4"	<b>YTE1524</b>	\$169.	\$321.	\$370.	\$498.
	For use with 27" deep desk tops	15"	27"	1 1/4"	<b>YTE1527</b>	174.	333.	383.	517.
	For use with 30" deep desk tops	15"	30"	1 1/4"	<b>YTE1530</b>	179.	343.	396.	535.
	For use with 36" deep desk tops	15"	36"	1 1/4"	<b>YTE1536</b>	201.	368.	422.	571.
Antenna Back to Back Desk Extension Tops, 15" Wide Rectangular 	For use with 18" deep back to back tops	15"	39 3/4"	1 1/4"	<b>YTE1539</b>	268.	384.	443.	598.
	For use with 24" deep back to back tops	15"	51 3/4"	1 1/4"	<b>YTE1552</b>	309.	432.	497.	671.
	For use with 27" deep back to back tops	15"	57 3/4"	1 1/4"	<b>YTE1558</b>	320.	449.	517.	696.
	For use with 30" deep back to back tops	15"	63 3/4"	1 1/4"	<b>YTE1564</b>	334.	466.	537.	726.
	For use with 36" deep back to back tops	15"	75 3/4"	1 1/4"	<b>YTE1576</b>	345.	475.	539.	769.
Antenna Dual Sided Big Table Extension Tops, 15" Wide Rectangular 	For use with 18" deep dual big table tops	15"	41 1/2"	1 1/4"	<b>YTE1541</b>	268.	384.	443.	598.
	For use with 24" deep dual big table tops	15"	53 1/2"	1 1/4"	<b>YTE1553</b>	309.	432.	497.	671.
	For use with 27" deep dual big table tops	15"	59 1/2"	1 1/4"	<b>YTE1559</b>	320.	449.	517.	696.
	For use with 30" deep dual big table tops	15"	65 1/2"	1 1/4"	<b>YTE1565</b>	334.	466.	537.	726.
	For use with 36" deep dual big table tops	15"	77 1/2"	1 1/4"	<b>YTE1577</b>	345.	475.	539.	769.
Antenna Dual Sided Big Table Extension Tops, 18" Wide Rectangular 	For use with 18" deep dual big table tops	18"	41 1/2"	1 1/4"	<b>YTE1841</b>	275.	461.	531.	716.
	For use with 24" deep dual big table tops	18"	53 1/2"	1 1/4"	<b>YTE1853</b>	317.	520.	595.	807.
	For use with 27" deep dual big table tops	18"	59 1/2"	1 1/4"	<b>YTE1859</b>	350.	541.	620.	838.
	For use with 30" deep dual big table tops	18"	65 1/2"	1 1/4"	<b>YTE1865</b>	360.	563.	642.	870.
	For use with 36" deep dual big table tops	18"	77 1/2"	1 1/4"	<b>YTE1877</b>	381.	573.	658.	912.
Antenna Single Sided Big Table Extension Tops, 15" Wide Rectangular 	For use with 18" deep single big table tops	15"	31"	1 1/4"	<b>YTE1531</b>	178.	394.	452.	586.
	For use with 24" deep single big table tops	15"	37"	1 1/4"	<b>YTE1537</b>	195.	405.	466.	606.
	For use with 27" deep single big table tops	15"	40"	1 1/4"	<b>YTE1540</b>	202.	411.	474.	615.
	For use with 30" deep single big table tops	15"	43"	1 1/4"	<b>YTE1543</b>	206.	449.	516.	670.
	For use with 36" deep single big table tops	15"	49"	1 1/4"	<b>YTE1549</b>	239.	461.	531.	689.

Tops

### Ordering Information

#### Antenna Extension Tops

1. Pattern Number
2. Top Finish
3. Edge Finish  
(for laminate tops only)

### Order Code

#### Antenna Extension Tops

*Example:* **YTE1559L, 118, 118**

<b>YT</b>	Pattern Number
<b>E</b>	Extension
<b>15</b>	Width
<b>59</b>	Depth
<b>L</b>	Laminate
<b>118</b>	Bright White Top
<b>118</b>	Bright White Edge

### Included With

#### Antenna Extension Tops

### Options

#### Antenna Extension Tops

#### Top Finish Options:

Add an (L) for laminate or (V) for veneer suffix to pattern number.

Antenna dual big tables can be planned in 120 degree configurations with 120 degree Antenna tops, intermediate legs for 120 degree, standard big table end legs, rails, center beams and power components.

120 degree Antenna tops match the straight top edge details for laminate and veneer surfaces. Tops have a curvilinear front edge and are available in 48"x48", 54"x54" and 60"x60" widths 24" and 27" deep. 120 degree corner tops are also available with a straight front edge 48" x 48" in 24" depth only. All tops are available with or without a 3 3/4"D hinged access on each back edge with a mitered joint in the back corner.

When planning with 120 degree tops, an intermediate leg for 120 degree must be specified. The vertical legs are shifted to allow for ample kneespace. The top of the intermediate leg for 120 degree is the same as the big table inset intermediate leg, with two standard cradles for rails, two extended arm cradles and brackets for the center beam between them.

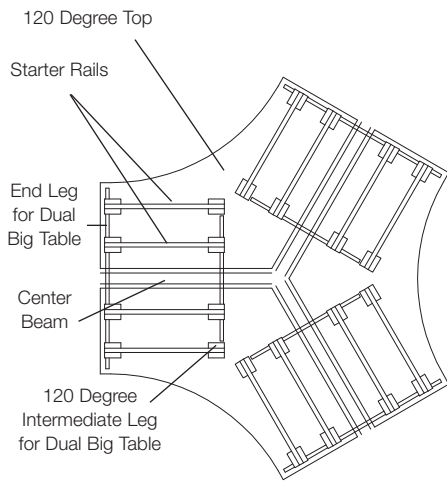
Big table 120 degree planning uses the same components and capabilities as standard straight big table applications: linked modular power components, cable baskets and wire management, center beam mounted screens, storage and monitor arms. Pedestals must be specified as mobile or freestanding with ballast for 120 degree applications.

### Basic Triad Planning

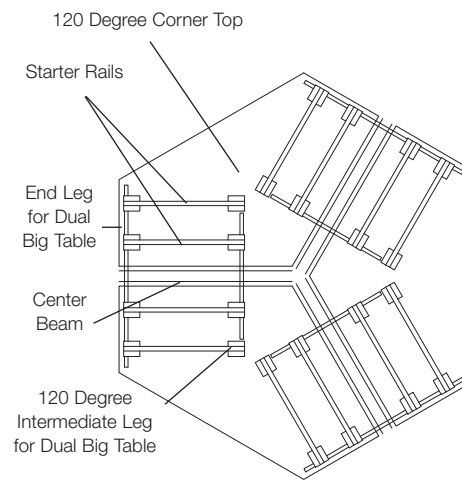
Desk tops are supported by a pair of starter rails parallel to each back edge 15" less wide than top width. Between each 120 degree desk top back edge is a matching 48", 54" or 60" center beam, with three beam end caps at the center of the configuration, as well as on outside conditions. Rails and center beam are supported by an end leg for big table at each outside end and by three 120 degree intermediate legs in the center of the configuration.

### Triad Planning with Extension Tops

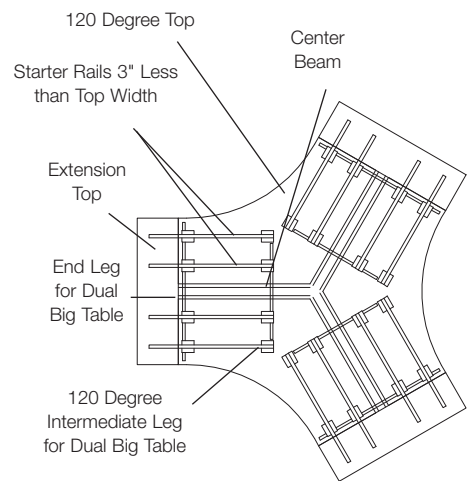
Antenna extension tops can be added at the ends of big table triads in 53" depths for 24" deep 120 tops or 59" depths for 27" deep 120 tops. Desk top rails need to be 12" longer to support the 15"W extension tops, so starter rails are 3" less than the 120 top widths. For example, specify 45" wide starter rails for 15"W extension tops planned outside the end of a triad of 48" wide 120 degree tops. Desk top rails need to be 15" longer to support 18"W extension tops, so starter rails are the same as the 120 top widths. Center beam widths remain the same, but the ends of the center beams next to extension tops need partial center beam end caps.



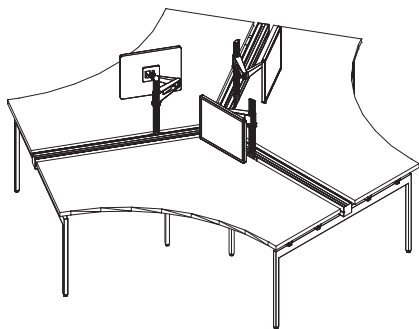
Basic Triad with 120 Degree Tops



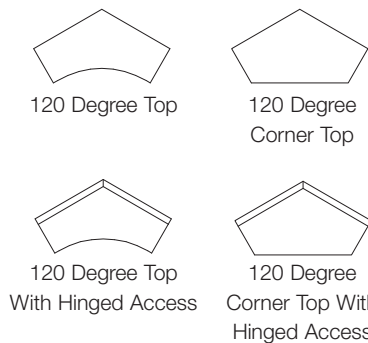
Basic Triad with 120 Degree Corner Tops



Basic Triad with 120 Degree and Extension Tops



Basic Triad with 120 Degree Tops



Top Width	Starter Rail Length	Extended Rail Length	Center Beam Width
48"	33"	36"	48"
54"	39"	42"	54"
60"	45"	48"	60"

Rail and Center Beam Dimensions for 120 Degree Planning

### Triad Planning with Adjacent Rectangular Tops

Rectangular big table tops with a center beam in 48" to 84" widths can extend at the ends of big table triads. Rectangular tops can be supported by matching width extended rails, a big table intermediate leg or inset intermediate leg and a big table end leg.

### Dogbone Planning Configurations

When two triads are linked, two end legs can be replaced by a single big table intermediate leg or inset intermediate leg. Two pairs of starter rails for one of the two triads should be changed to extended rails that are 3" longer. All other components are unchanged.

Dogbone configurations can also be linked by straight desk tops and matching width center beams. In this application, the straight tops can be supported by pairs of extended rails matching in width, extended rails under one of the adjacent triads and big table intermediate or inset intermediate legs.

### Construction

Antenna tops are nominal 1 3/16" thick with a laminate or veneer surface finish.

Laminate tops have a laminate top surface with an FSC-certified particle board core and a neutral tone backer sheet for balanced construction. Edges can match the top or contrast in color, in 2.8mm ABS with 2.4mm radius top and bottom edges. Front and back edges overlap ends with a 2.4 mm radius on outside corners. Acrylonitrile Butadiene Styrene (ABS) is a polymer used as an alternative to PVC and rubber. It is phthalate-free, flame retardant, has high heat and impact resistance, good processability, dimensional stability and high gloss.

Techwood and natural veneer tops have a veneer top surface, an FSC-certified particle board core and a neutral tone backer sheet for balanced construction. Veneer tops have

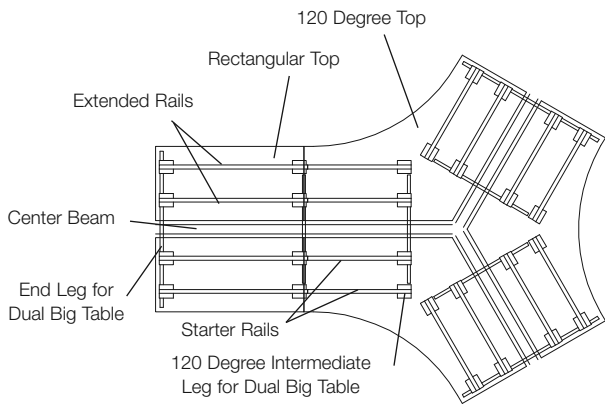
matching finish 2.0mm solid veneer edges on all sides. Top and bottom edges have a 2.0mm radius. Veneer grain direction is parallel to front edge on desk tops, and parallel to end on extension tops. Veneer grain direction on hinged access door is parallel to back edge of desk tops. All tops have pilot holes for the two most common mounting conditions for desk legs and return connections: legs inset 1 1/2" or 5 1/2" from the both ends of the top.

### Specification Options

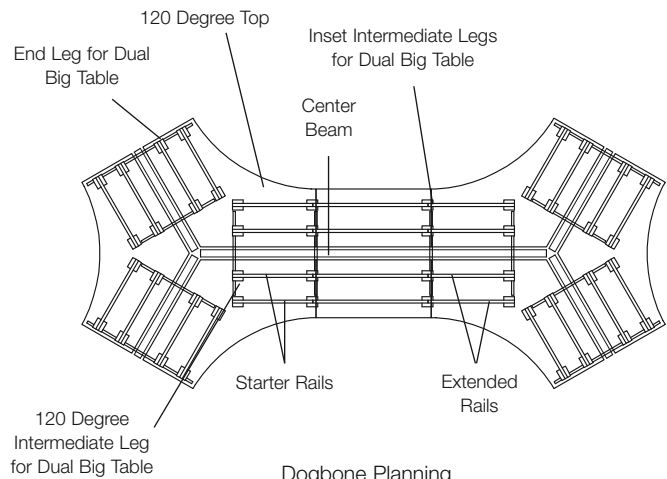
Tops available in any Knoll Core laminate or veneer finish. For laminate tops, specify edgeband to match any Knoll Core laminate.

Laminate tops with centered hinged access door in 120 shape must specify a solid color laminate for the door finish. Edge finish for the door defaults to the edge finish selected for the top.

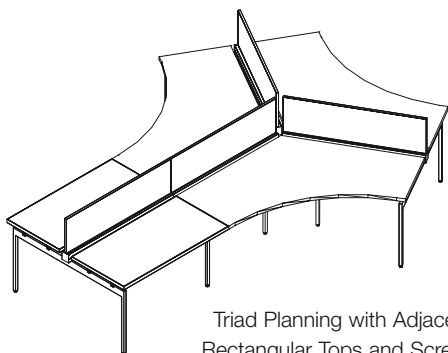
For veneer tops, edge must match top.



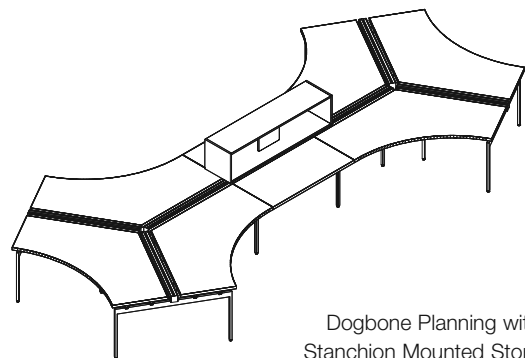
Triad Planning with Adjacent Rectangular Tops



Dogbone Planning

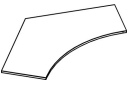
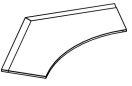
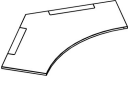
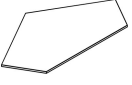
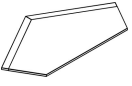



Triad Planning with Adjacent Rectangular Tops and Screens



Dogbone Planning with Stanchion Mounted Storage

# Antenna Tops for 120° Planning 24" and 27" Deep

description	w	d	h	pattern no.	Laminate (L)	V1 (V)	V2 (V)	V3 (V)
120° Top 	48"	24"	1 1/4"	<b>YTVC24484824( )</b>	\$757.	\$1,671.	\$1,921.	\$2,498.
	48"	27"	1 1/4"	<b>YTVC27484827( )</b>	769.	1,698.	1,954.	2,540.
	54"	24"	1 1/4"	<b>YTVC24545424( )</b>	808.	1,766.	2,032.	2,641.
	54"	27"	1 1/4"	<b>YTVC27545427( )</b>	895.	n/a	n/a	n/a
	60"	24"	1 1/4"	<b>YTVC24606024( )</b>	934.	n/a	n/a	n/a
	60"	27"	1 1/4"	<b>YTVC27606027( )</b>	949.	n/a	n/a	n/a
120° Top with Hinged Access 	48"	24"	1 1/4"	<b>YTHVC24484824( )</b>	1,546.	2,756.	3,169.	4,119.
	48"	27"	1 1/4"	<b>YTHVC27484827( )</b>	1,557.	2,787.	3,205.	4,166.
	54"	24"	1 1/4"	<b>YTHVC24545424( )</b>	1,599.	2,892.	3,325.	4,323.
	54"	27"	1 1/4"	<b>YTHVC27545427( )</b>	1,612.	2,919.	3,358.	4,364.
	60"	24"	1 1/4"	<b>YTHVC24606024( )</b>	1,750.	2,991.	3,438.	4,470.
	60"	27"	1 1/4"	<b>YTHVC27606027( )</b>	1,765.	n/a	n/a	n/a
120° Top with Centered Hinged Access 	48"	24"	1 1/4"	<b>YTDVC24484824( )</b>	1,546.	n/a	n/a	n/a
	48"	27"	1 1/4"	<b>YTDVC27484827( )</b>	1,557.	n/a	n/a	n/a
	54"	24"	1 1/4"	<b>YTDVC24545424( )</b>	1,599.	n/a	n/a	n/a
	54"	27"	1 1/4"	<b>YTDVC27545427( )</b>	1,612.	n/a	n/a	n/a
	60"	24"	1 1/4"	<b>YTDVC24606024( )</b>	1,750.	n/a	n/a	n/a
	60"	27"	1 1/4"	<b>YTDVC27606027( )</b>	1,765.	n/a	n/a	n/a
120° Corner Top 	48"	24"	1 1/4"	<b>YTVS24484824( )</b>	757.	1,632.	1,876.	2,441.
120° Corner Top with Hinged Access 	48"	24"	1 1/4"	<b>YTHVS24484824( )</b>	1,546.	2,825.	3,248.	4,223.
120° Corner Top with Centered Hinged Access 	48"	24"	1 1/4"	<b>YTDVS24484824( )</b>	1,546.	n/a	n/a	n/a

Ordering Information	Order Code	Included With	Options
<b>Antenna Tops</b> 1. Pattern Number 2. Top Finish 3. Edge Finish (for laminate tops only)	<b>Antenna Tops</b> <i>Example:</i> <b>YTHVC27545427L, 118, 118</b>	<b>Antenna Tops</b>	<b>Antenna Tops</b> <b>Top Finish Options:</b> (L) = Laminate (V) = Veneer
<b>Antenna Top with Centered Hinged Access</b> 1. Pattern Number 2. Top Finish 3. Door Finish 4. Edge Finish 5. Paint Finish	<b>YT</b> Antenna Top <b>H</b> Hinged Access <b>VC</b> 120° <b>27</b> Depth <b>54</b> Width <b>54</b> Width <b>27</b> Depth <b>L</b> Laminate <b>118</b> Bright White Laminate <b>118</b> Bright White Edge <b>118T</b> Bright White Paint		

Antenna C-Leg and T-Leg tops are designed for use with fixed height and adjustable height C-Leg and T-Leg bases only.

Rectangular tops are full dimension, 24", 30" and 36" depths, and available in every 6" increment of nominal width from 36"- 72". Rectangular top widths are undersized by 3" for blending with other products planning on a standard module.

### Construction

Antenna tops are nominal 1 3/16" thick with a laminate or veneer surface finish.

Laminate tops have a laminate top surface with an FSC-certified particle board core and a neutral tone backer sheet for balanced

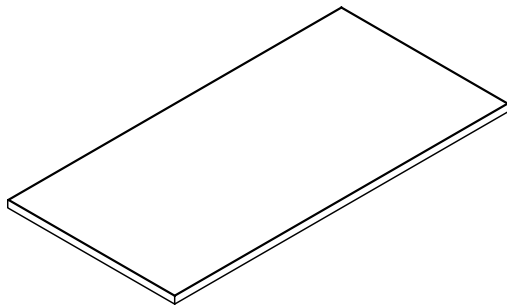
construction. Edges can match the top or contrast in color, in 2.8mm ABS with 2.4mm radius top and bottom edges. Front and back edges overlap ends with a 2.4mm radius on outside corners. Acrylonitrile Butadiene Styrene (ABS) is a polymer used as an alternative to PVC and rubber. It is phthalate-free, flame retardant, has high heat and impact resistance, good processability, dimensional stability and high gloss.

Techwood and natural veneer tops have a veneer top surface, an FSC-certified particle board core and a neutral tone backer sheet for balanced construction. Veneer tops have matching finish 2.0mm solid veneer edges on all sides. Top and bottom edges a 2.0mm

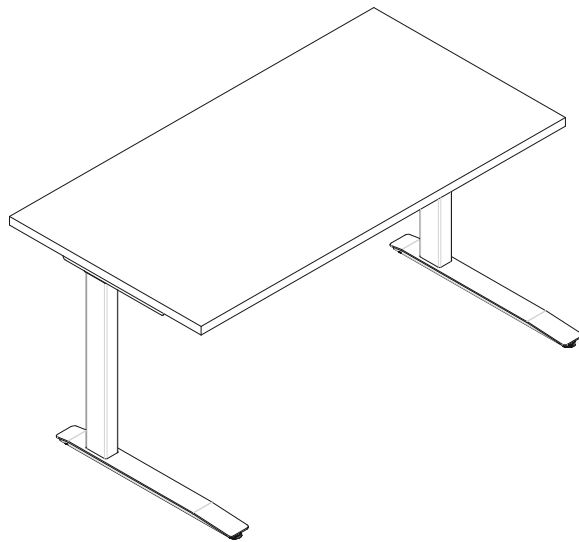
radius. Veneer grain direction is parallel to front edge of top. All tops have pre-drilled pilot holes for use with corresponding depth fixed or height adjustable C-Leg or T-Leg bases to create freestanding tables.

### Specification Options

Tops available in any Knoll core laminate or veneer finish. For laminate tops, specify edgeband to match and Knoll core laminate. For veneer tops, edge must match top.



Antenna C-Leg or T-Leg Top

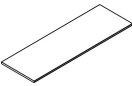
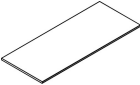
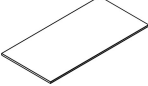



30"D x 60"W C-Leg Fixed Height Table



# Antenna Tops For C-Leg and T-Leg Tables

## 24", 30", 36" Deep Rectangular and 120°

description	type	w*	w	d	h	pattern no.	Laminate (L)	V1 (V)	V2 (V)	V3 (V)		
Antenna C-Leg Tops, 24" Deep 	For use with 24"D C-Leg base	36"	33"	24"	1 1/4"	<b>YT3324( )</b>	\$231.	\$464.	\$535.	\$722.		
		42"	39"	24"	1 1/4"	<b>YT3924( )</b>	264.	488.	562.	757.		
		48"	45"	24"	1 1/4"	<b>YT4524( )</b>	295.	510.	586.	793.		
		54"	51"	24"	1 1/4"	<b>YT5124( )</b>	320.	544.	626.	846.		
		60"	57"	24"	1 1/4"	<b>YT5724( )</b>	345.	579.	666.	900.		
		66"	63"	24"	1 1/4"	<b>YT6324( )</b>	373.	603.	693.	935.		
		72"	69"	24"	1 1/4"	<b>YT6924( )</b>	388.	625.	720.	971.		
Antenna C-Leg and T-Leg Tops, 30" Deep 	For use with 30"D C-Leg or T-Leg base	48"	45"	30"	1 1/4"	<b>YT4530( )</b>	345.	574.	660.	890.		
		54"	51"	30"	1 1/4"	<b>YT5130( )</b>	392.	608.	699.	944.		
		60"	57"	30"	1 1/4"	<b>YT5730( )</b>	431.	643.	738.	997.		
		66"	63"	30"	1 1/4"	<b>YT6330( )</b>	481.	654.	753.	1,017.		
		72"	69"	30"	1 1/4"	<b>YT6930( )</b>	498.	677.	779.	1,051.		
	For use with 30"D C-Leg base	36"	33"	30"	1 1/4"	<b>YT3330( )</b>	285.	517.	596.	802.		
		42"	39"	30"	1 1/4"	<b>YT3930( )</b>	312.	534.	614.	828.		
		Antenna T-Leg Tops, 36" Deep 	For use with 30"D T-Leg base	48"	45"	36"	1 1/4"	<b>YT4536( )</b>	378.	619.	713.	961.
				54"	51"	36"	1 1/4"	<b>YT5136( )</b>	429.	654.	753.	1,017.
				60"	57"	36"	1 1/4"	<b>YT5736( )</b>	475.	689.	792.	1,069.
66"	63"			36"	1 1/4"	<b>YT6336( )</b>	528.	723.	831.	1,121.		
72"	69"			36"	1 1/4"	<b>YT6936( )</b>	548.	757.	871.	1,177.		
Antenna C-Leg 120° Tops 	For use with 120° base	48"	46 1/2"	24"	1 1/4"	<b>YTY4624( )</b>	757.	1,671.	1,921.	2,498.		
		48"	46 1/2"	27"	1 1/4"	<b>YTY4627( )</b>	769.	1,698.	1,954.	2,540.		
		54"	52 1/2"	24"	1 1/4"	<b>YTY5224( )</b>	808.	1,766.	2,032.	2,641.		
		54"	52 1/2"	27"	1 1/4"	<b>YTY5227( )</b>	895.	n/a	n/a	n/a		
		60"	58 1/2"	24"	1 1/4"	<b>YTY5824( )</b>	902.	n/a	n/a	n/a		
		60"	58 1/2"	27"	1 1/4"	<b>YTY5827( )</b>	949.	n/a	n/a	n/a		

w\* = nominal width

Ordering Information	Order Code	Included With	Options
<b>Antenna Tops</b> 1. Pattern Number 2. Top Finish 3. Edge Finish (for laminate tops only)	<b>Antenna Tops</b> <i>Example: YT5730L, 118, 118</i> <b>YT</b> Top <b>57</b> Width <b>30</b> Depth <b>L</b> Laminate <b>118</b> Bright White Laminate <b>118</b> Bright White Edge	<b>Antenna Tops</b>	<b>Antenna Tops</b> Top Finish Options: Add an (L) for laminate or (V) for veneer suffix to pattern number.

Antenna tops and worksurface shelves for use with the Template Storage System are designed to match the front edge material, profile and thickness of Antenna desk and table tops.

### Antenna Tops for the Template Storage System

Antenna wood tops for Template are fastened to the top of end and mid panels for credenza or worksurface height Template units. Tops vary in width from 15"-96", based on the number of mid panels in a linked cluster of Template units. Tops are application specific because Template tops are full width for a single unit and are 1" shorter for each shared mid panel within multiple unit configurations.

Full width tops are 15" deep in 24", 30", 36", 42" and 48" widths for single unit cases.

For two position cases, with one shared mid panel, full width tops are available 1" less wide than nominal widths from 48"-96" in every 6" increment. For three position cases, with two mid panels, full width tops are available 2" less than nominal 72"-96" widths in 6" increments.

Antenna end position tops are available for end positions of multiple unit Template configurations. End position tops are 1/2" less than nominal widths, so one end of the top ends in the middle of a mid panel. For mid position applications within multiple unit cases, Antenna tops are available 1" less than nominal widths.

Both ends of a middle position top end in the middle of mid panels. End and mid position tops are designed to cover single Template section widths occurring at either the end or middle of a run.

### Worksurface Shelves for the Template Storage System

Worksurface shelves are required above Template box or file drawer inserts or when attaching Antenna desk tops to Template storage units. Antenna worksurface shelves match the front edge radius and material of Antenna tops.

Worksurface shelves are available in two types: single sided and dual sided. Single sided shelves are detailed to fit flush to the front edge of the end or mid panels, with a back edge dimensioned to provide a wire drop or space for a tackable insert inside the back panel. Dual sided shelves fit flush to both the front and back edges of end or mid panels, which creates an open pass through the Template unit.

Worksurface shelves are available in every 6" increment of nominal width from 18"-48" plus 60" and 72" widths. Actual overall dimension is 2" less than nominal width.

For standard Template shelves with Template design details, specify shelves in metal, laminate or veneer.

### Construction

Antenna tops are nominal 1 3/16" thick with laminate or veneer surface finish.

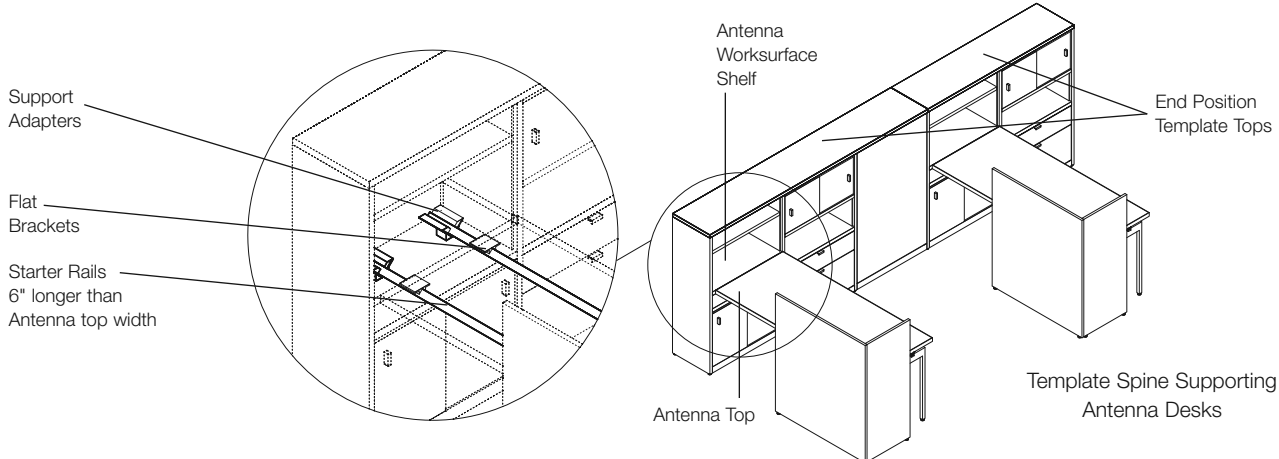
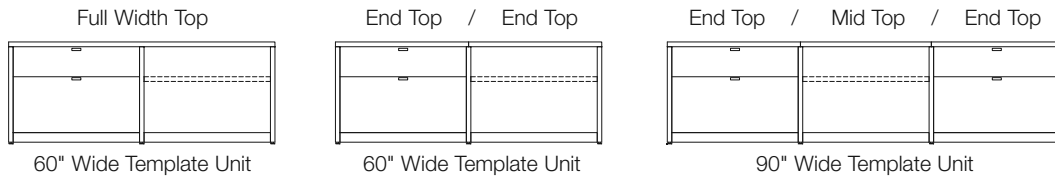
Laminate tops have a laminate top surface with an FSC-certified particle board core and a neutral tone backer sheet for balanced construction. Edges can match the top or contrast in color in 2.8mm ABS with 2.4mm radius top and bottom edges. Front and back edges overlap ends with a 2.4 mm radius on outside corners.

Acrylonitrile Butadiene Styrene (ABS) is a polymer used as an alternative to PVC and rubber. It is phthalate-free, flame retardant, has high heat and impact resistance, good processability, dimensional stability and high gloss.

Techwood and natural veneer tops have a veneer top surface with an FSC-certified particle board core and a neutral tone backer sheet for balanced construction. Veneer tops have matching finish 2.0mm solid veneer edges on all sides. Top and bottom edges have a 2.0mm radius. Veneer grain direction is parallel to front edge.

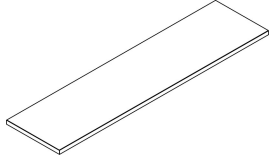
### Specifications Options

Tops or worksurface shelf surfaces are available in any Knoll core laminate or veneer. For laminate tops and shelves, specify edgeband to match any Knoll core laminate. For veneer tops and shelves, edge must match top.

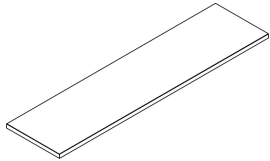


# Antenna Tops and Worksurface Shelves for Template Full Width Tops For Credenza or Worksurface Height Units

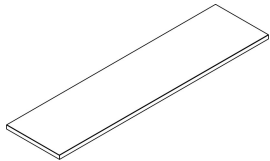
description	type	w	d	h	pattern no.	Laminate (L)	V1 (V)	V2 (V)	V3 (V)
Full Width Antenna Tops for Template, Single Unit Cases	24"W unit	24"	15"	1 1/4"	<b>YTT24</b>	\$169.	\$310.	\$357.	\$482.
	30"W unit	30"	15"	1 1/4"	<b>YTT30</b>	179.	328.	376.	507.
	36"W unit	36"	15"	1 1/4"	<b>YTT36</b>	201.	343.	396.	535.
	42"W unit	42"	15"	1 1/4"	<b>YTT42</b>	233.	362.	417.	564.
	48"W unit	48"	15"	1 1/4"	<b>YTT48</b>	259.	376.	432.	583.



Full Width Antenna Tops for Template, Double Unit Cases	48"W unit	47"	15"	1 1/4"	<b>YTT47</b>	259.	376.	432.	583.
	54"W unit	53"	15"	1 1/4"	<b>YTT53</b>	275.	414.	475.	642.
	60"W unit	59"	15"	1 1/4"	<b>YTT59</b>	299.	431.	495.	670.
	66"W unit	65"	15"	1 1/4"	<b>YTT65</b>	322.	450.	518.	698.
	72"W unit	71"	15"	1 1/4"	<b>YTT71</b>	340.	467.	538.	727.
	78"W unit	77"	15"	1 1/4"	<b>YTT77</b>	365.	491.	565.	762.
	84"W unit	83"	15"	1 1/4"	<b>YTT83</b>	384.	514.	590.	798.
	90"W unit	89"	15"	1 1/4"	<b>YTT89</b>	427.	533.	613.	826.
	96"W unit	95"	15"	1 1/4"	<b>YTT95</b>	474.	550.	633.	854.



Full Width Antenna Tops for Template, Triple Unit Cases	72"W unit	70"	15"	1 1/4"	<b>YTT70</b>	340.	467.	538.	727.
	78"W unit	76"	15"	1 1/4"	<b>YTT76</b>	365.	491.	565.	762.
	84"W unit	82"	15"	1 1/4"	<b>YTT82</b>	384.	514.	590.	798.
	90"W unit	88"	15"	1 1/4"	<b>YTT88</b>	427.	533.	613.	826.
	96"W unit	94"	15"	1 1/4"	<b>YTT94</b>	474.	550.	633.	854.



## Ordering Information

### Antenna Tops for Template

1. Pattern Number
2. Top Finish
3. Edge Finish  
(for laminate tops only)

## Order Code

### Antenna Tops for Template

*Example:* **YTT36L, 118, 118**

<b>YTT</b>	Template Tops
<b>36</b>	Width
<b>L</b>	Laminate
<b>118</b>	Bright White Top
<b>118</b>	Bright White Edge

## Included With

### Antenna Tops for Template

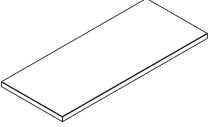
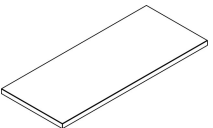
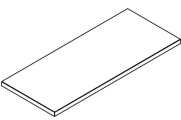
## Options

### Antenna Tops for Template

#### Top Finish Options:

Add an (L) for laminate or (V) for veneer suffix to pattern number.

# Antenna Tops and Worksurface Shelves for Template End and Mid Position Tops For Credenza or Worksurface Height Units

description	type	w	d	h	pattern no.	Laminate (L)	V1 (V)	V2 (V)	V3 (V)
End Position Antenna Tops for Single Template Units 	18"W unit	17 1/2"	15"	1 1/4"	<b>YTTE18</b>	\$160.	\$293.	\$336.	\$454.
	24"W unit	23 1/2"	15"	1 1/4"	<b>YTTE24</b>	169.	310.	357.	482.
	30"W unit	29 1/2"	15"	1 1/4"	<b>YTTE30</b>	179.	328.	376.	507.
	36"W unit	35 1/2"	15"	1 1/4"	<b>YTTE36</b>	201.	343.	396.	535.
	42"W unit	41 1/2"	15"	1 1/4"	<b>YTTE42</b>	233.	362.	417.	564.
	48"W unit	47 1/2"	15"	1 1/4"	<b>YTTE48</b>	259.	376.	432.	583.
	72"W unit	70 1/2"	15"	1 1/4"	<b>YTTE72</b>	340.	467.	538.	727.
End Position Antenna Tops for Multiple Template Units 	(2) 30"W units	58 1/2"	15"	1 1/4"	<b>YTTE60</b>	299.	431.	495.	670.
	30"W + 36"W units	64 1/2"	15"	1 1/4"	<b>YTTE66</b>	322.	450.	518.	698.
	36"W + 42"W units	76 1/2"	15"	1 1/4"	<b>YTTE78</b>	365.	491.	565.	762.
	(2) 42"W units	82 1/2"	15"	1 1/4"	<b>YTTE84</b>	384.	514.	590.	798.
	(3) 30"W units	85 1/2"	15"	1 1/4"	<b>YTTE87</b>	406.	524.	602.	814.
	42"W + 48"W units	88 1/2"	15"	1 1/4"	<b>YTTE90</b>	427.	533.	613.	826.
	(2) 48"W units	94 1/2"	15"	1 1/4"	<b>YTTE96</b>	474.	550.	633.	854.
Mid Position Antenna Tops for Template 	24"W unit	23"	15"	1 1/4"	<b>YTTM23</b>	169.	310.	357.	482.
	30"W unit	29"	15"	1 1/4"	<b>YTTM29</b>	179.	328.	376.	507.
	36"W unit	35"	15"	1 1/4"	<b>YTTM35</b>	201.	343.	396.	535.
	42"W unit	41"	15"	1 1/4"	<b>YTTM41</b>	233.	362.	417.	564.
	48"W unit	47"	15"	1 1/4"	<b>YTTM47</b>	259.	376.	432.	583.

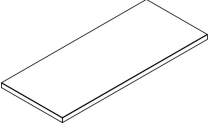
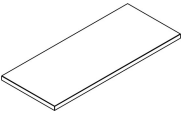
Tops

Ordering Information	Order Code	Included With	Options
<b>Antenna Tops for Template</b> 1. Pattern Number 2. Top Finish 3. Edge Finish (for laminate tops only)	<b>Antenna Tops for Template</b> <i>Example:</i> <b>YTTE36L, 118, 118</b> <b>YTTE</b> Template Tops <b>36</b> Width <b>L</b> Laminate <b>118</b> Bright White Top <b>118</b> Bright White Edge	<b>Antenna Tops for Template</b>	<b>Antenna Tops for Template</b> <b>Top Finish Options:</b> Add an (L) for laminate or (V) for veneer suffix to pattern number.

# Antenna Tops and Worksurface Shelves for Template

## Worksurface Shelves

### Single and Dual Sided

description	type	w	d	h	pattern no.	Laminate (L)	V1 (V)	V2 (V)	V3 (V)
Antenna Worksurface Shelves for Template, Single-Sided 	18"W unit	16"	14"	1 1/4"	<b>YTWSHK118</b>	\$230.	\$373.	\$428.	\$579.
	24"W unit	22"	14"	1 1/4"	<b>YTWSHK124</b>	238.	391.	449.	606.
	30"W unit	28"	14"	1 1/4"	<b>YTWSHK130</b>	247.	407.	467.	632.
	36"W unit	34"	14"	1 1/4"	<b>YTWSHK136</b>	270.	424.	489.	659.
	42"W unit	40"	14"	1 1/4"	<b>YTWSHK142</b>	302.	444.	509.	688.
	48"W unit	46"	14"	1 1/4"	<b>YTWSHK148</b>	328.	457.	526.	709.
	60"W unit	57"	14"	1 1/4"	<b>YTWSHK160</b>	369.	535.	615.	829.
	72"W unit	69"	14"	1 1/4"	<b>YTWSHK172</b>	410.	548.	631.	851.
Antenna Worksurface Shelves for Template, Dual-Sided 	18"W unit	16"	15"	1 1/4"	<b>YTWSHK218</b>	230.	373.	428.	579.
	24"W unit	22"	15"	1 1/4"	<b>YTWSHK224</b>	238.	391.	449.	606.
	30"W unit	28"	15"	1 1/4"	<b>YTWSHK230</b>	247.	407.	467.	632.
	36"W unit	34"	15"	1 1/4"	<b>YTWSHK236</b>	270.	424.	489.	659.
	42"W unit	40"	15"	1 1/4"	<b>YTWSHK242</b>	302.	444.	509.	688.
	48"W unit	46"	15"	1 1/4"	<b>YTWSHK248</b>	328.	457.	526.	709.
	72"W unit	57"	15"	1 1/4"	<b>YTWSHK260</b>	369.	535.	615.	829.
	72"W unit	69"	15"	1 1/4"	<b>YTWSHK272</b>	410.	548.	631.	851.

#### Ordering Information

##### Antenna Tops for Template

1. Pattern Number
2. Top Finish
3. Edge Finish  
(for laminate tops only)

#### Order Code

##### Antenna Tops for Template

*Example:* **YTWSHK136L, 118, 118**

**YTWSHK** Worksurface Shelf

**36** Width

**L** Laminate

**118** Bright White Top

**118** Bright White Edge

#### Included With

##### Antenna Tops for Template

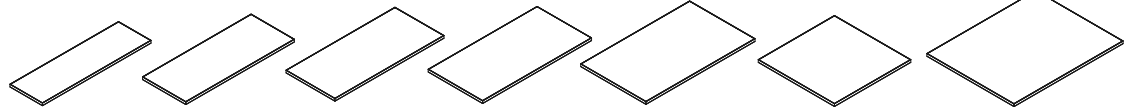
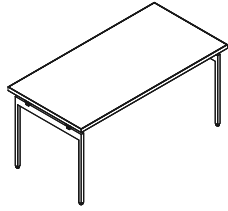
#### Options

##### Antenna Tops for Template

##### Top Finish Options:

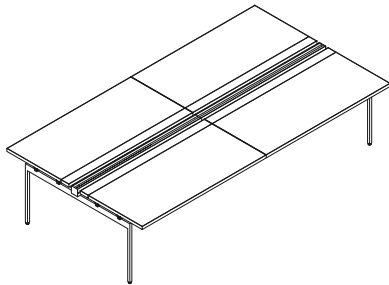
Add an (L) for laminate or (V) for veneer suffix to pattern number.

**Rectangular Tops for Desks**



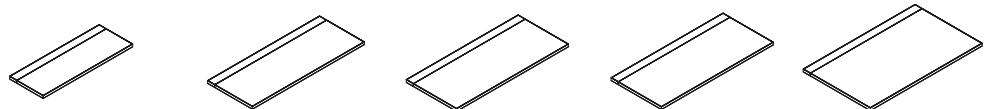
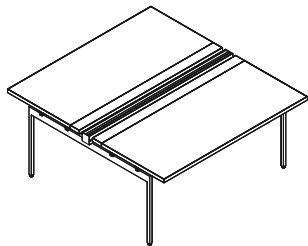
18" Deep 30" - 96" Wide	24" Deep 30" - 96" Wide	27" Deep 30" - 96" Wide	30" Deep 30" - 96" Wide	36" Deep 30" - 96" Wide	42" Deep 42" and 84" Wide	48" Deep 30" - 96" Wide
----------------------------	----------------------------	----------------------------	----------------------------	----------------------------	------------------------------	----------------------------

**Rectangular Benching Tops for Desks or Big Tables**



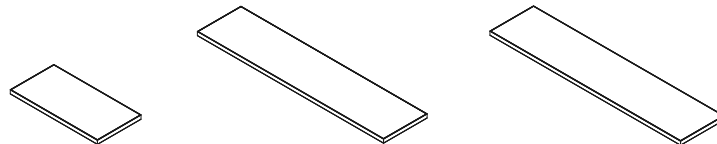
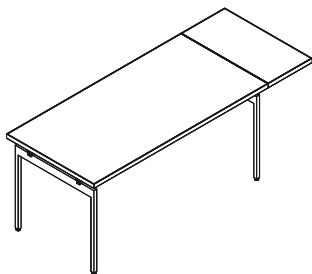
18" Deep 30" - 96" Wide	24" Deep 30" - 96" Wide	27" Deep 30" - 96" Wide	30" Deep 30" - 96" Wide	36" Deep 30" - 96" Wide
----------------------------	----------------------------	----------------------------	----------------------------	----------------------------

**Rectangular with Hinged Access Tops for Big Tables**



18" Deep 48" - 84" Wide	24" Deep 48" - 84" Wide	27" Deep 48" - 84" Wide	30" Deep 48" - 84" Wide	36" Deep 48" - 84" Wide
----------------------------	----------------------------	----------------------------	----------------------------	----------------------------

**Extension Tops for Desks or Big Tables**



For Use With 24", 27", 30" or 36" Deep Desk Tops	For Use With 18", 24", 27", 30" or 36" Back to Back Desk Tops	For Use With 18", 24", 27", 30" or 36" Deep Dual Big Table Tops
--	---	---

Tops

Overlay tops are designed in rectangular shapes, with specific details optimized for desks, tables, benching or big table applications. The laminate or veneer top surface of overlay tops covers the entire surface, overlapping solid veneer edges with a generous bottom edge radius.

Overlay tops for most desk and table applications are full dimension, 18", 24", 27", 30", 36", 42" and 48" depths, and available in every 6" increment of width from 30"-96". 18" deep tops are for return or bridge applications. Overlay tops can be planned as tables, desks, returns, or bridges.

For benching and desks planned end to end and big table applications, overlay benching tops are available 24", 27" and 30" deep and in widths from 48"-84". Overlay benching tops have rectangular corners optimized for end-to-end planning.

For big table applications, overlay tops with hinged access include a full width 3 3/4" deep hinged section for easy access to outlets and wire management below the center beam. Hinged access overlay tops are available in 24", 27" and 30" overall depths and widths from 48"-84" in 6" increments.

Extension tops plan at the end of a desk, back to back desk or big table. Overlay extension tops are 15" wide and match desks 24", 27", 30" or 36" deep. Extension tops for back to back desks are 15" wide and match tops 18", 24", 27", 30" or 36" deep with overall depths of 39 3/4", 51 3/4", 57 3/4", 63 3/4" or 75 3/4". Overlay extension tops for big tables are 15" or 18" wide and match overall big table depths of 53 1/2", 59 1/2" and 65 1/2". Extension tops can be planned in the same or contrasting surface finish as adjacent laminate or veneer tops. Desk and big table connector kits and rails 12" wider than adjacent top are needed for 15" wide extension top, or 15" wider for 18" wide extension top.

### Construction

Overlay tops are nominal 1 3/16" thick with a laminate or veneer surface finish.

Laminate tops have a solid core laminate or veneer top surface, an FSC-certified particle board core and a neutral tone backer sheet for balanced construction. Solid core laminates have integral color throughout the thickness of the laminate. Edges are solid 12.7mm veneer with a 0.6mm top radius and 9mm bottom radius. Outside corners of Overlay tops have an 8mm radius, except for crisp 0.6mm corners on benching tops, big table tops and on the inside corners of extension tops.

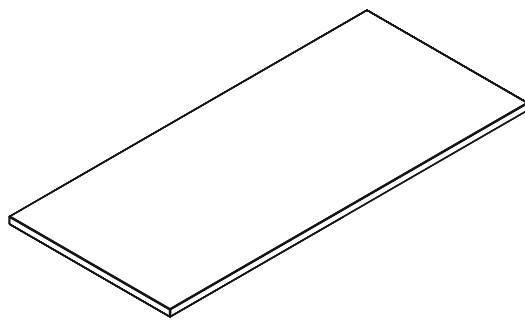
Techwood and natural veneer tops have a veneer top surface, an FSC-certified particle board core and a neutral tone backer sheet for balanced construction. Edges are solid 12.7mm veneer with a 0.6mm top radius and 9mm bottom radius. Bottom radius is only 2.4mm on ends of benching, big table tops, and inside edge of extension tops. Outside corners of Overlay tops have an 8mm radius, except for crisp 0.6mm corners on benching tops, big table tops and inside corners of extension tops.

Veneer grain direction is parallel to front edge on desk tops and parallel to the end on extension tops.

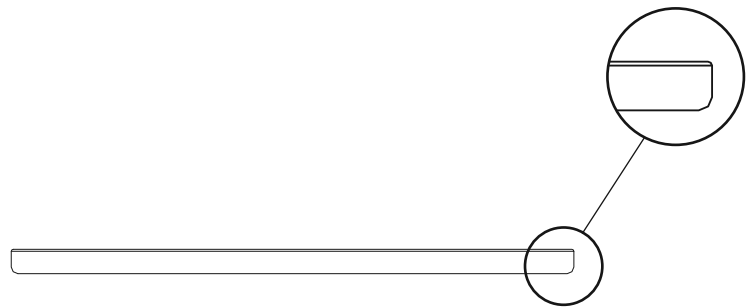
All tops have pilot holes for the most common mounting conditions for desk legs and return connections: legs inset 1 1/2" or 5 1/2" from the both ends of top.

### Specifications Options

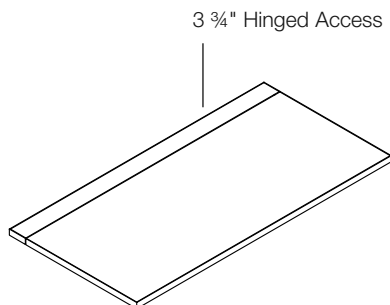
Top surface is available in a limited range of solid core laminates or in any Knoll core veneer. For both solid core laminate and veneer, specify edgeband in any Knoll core veneer.



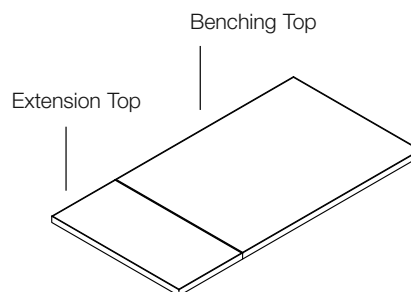
Overlay Top



Overlay Top Edge Elevation





Overlay Hinged Access Top



Overlay Benching Top with Extension Top

# Overlay Tops for Desks

## 18" and 24" Deep Rectangular

description	w	d	h	pattern no.	Color Core Laminate (C)	V1 (V)	V2 (V)	V3 (V)
Overlay Desk Tops, 18" Deep Rectangular 	30"	18"	1 1/4"	<b>YP3018</b>	\$980.	\$959.	\$1,019.	\$1,075.
	36"	18"	1 1/4"	<b>YP3618</b>	1,026.	977.	1,042.	1,114.
	42"	18"	1 1/4"	<b>YP4218</b>	1,077.	996.	1,069.	1,152.
	48"	18"	1 1/4"	<b>YP4818</b>	1,136.	1,025.	1,107.	1,201.
	54"	18"	1 1/4"	<b>YP5418</b>	1,182.	1,041.	1,132.	1,239.
	60"	18"	1 1/4"	<b>YP6018</b>	1,278.	1,116.	1,212.	1,331.
	66"	18"	1 1/4"	<b>YP6618</b>	1,337.	1,144.	1,247.	1,378.
	72"	18"	1 1/4"	<b>YP7218</b>	1,383.	1,160.	1,272.	1,417.
	78"	18"	1 1/4"	<b>YP7818</b>	1,434.	1,181.	1,298.	1,454.
	84"	18"	1 1/4"	<b>YP8418</b>	1,492.	1,207.	1,334.	1,502.
	90"	18"	1 1/4"	<b>YP9018</b>	1,539.	1,225.	1,359.	1,540.
96"	18"	1 1/4"	<b>YP9618</b>	1,597.	1,253.	1,393.	1,586.	
Overlay Desk Tops, 24" Deep Rectangular 	30"	24"	1 1/4"	<b>YP3024</b>	1,044.	979.	1,047.	1,126.
	36"	24"	1 1/4"	<b>YP3624</b>	1,119.	1,009.	1,087.	1,183.
	42"	24"	1 1/4"	<b>YP4224</b>	1,182.	1,031.	1,117.	1,232.
	48"	24"	1 1/4"	<b>YP4824</b>	1,242.	1,053.	1,148.	1,277.
	54"	24"	1 1/4"	<b>YP5424</b>	1,311.	1,082.	1,185.	1,333.
	60"	24"	1 1/4"	<b>YP6024</b>	1,420.	1,159.	1,272.	1,438.
	66"	24"	1 1/4"	<b>YP6624</b>	1,487.	1,189.	1,311.	1,492.
	72"	24"	1 1/4"	<b>YP7224</b>	1,555.	1,212.	1,342.	1,542.
	78"	24"	1 1/4"	<b>YP7824</b>	1,623.	1,241.	1,381.	1,597.
	84"	24"	1 1/4"	<b>YP8424</b>	1,685.	1,263.	1,411.	1,645.
	90"	24"	1 1/4"	<b>YP9024</b>	1,785.	1,330.	1,488.	1,737.
96"	24"	1 1/4"	<b>YP9624</b>	1,845.	1,352.	1,518.	1,787.	

Tops

### Ordering Information

#### Overlay Desk Tops

1. Pattern Number
2. Top Finish
3. Edge Finish (for laminate tops only)

### Order Code

#### Overlay Desk Tops

*Example:* **YP7824C, 311, V440**

<b>YT</b>	Table
<b>78</b>	Width
<b>24</b>	Depth
<b>C</b>	Color Core Laminate
<b>311</b>	Solid Gallery White Top
<b>V440</b>	Natural Hemlock Edge

### Included With

#### Overlay Desk Tops

### Options

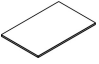

#### Overlay Desk Tops

#### Top Finish Options:

Add a (C) for color core laminate or (V) for veneer suffix to pattern number.



# Overlay Tops for Desks 27" and 30" Deep Rectangular

description	w	d	h	pattern no.	Color Core Laminate (C)	V1 (V)	V2 (V)	V3 (V)
Overlay Desk Tops, 27" Deep Rectangular 	30"	27"	1 1/4"	<b>YP3027</b>	\$1,105.	\$1,012.	\$1,087.	\$1,177.
	36"	27"	1 1/4"	<b>YP3627</b>	1,173.	1,036.	1,118.	1,229.
	42"	27"	1 1/4"	<b>YP4227</b>	1,265.	1,084.	1,178.	1,307.
	48"	27"	1 1/4"	<b>YP4827</b>	1,338.	1,115.	1,218.	1,365.
	54"	27"	1 1/4"	<b>YP5427</b>	1,404.	1,139.	1,251.	1,419.
	60"	27"	1 1/4"	<b>YP6027</b>	1,509.	1,201.	1,323.	1,512.
	66"	27"	1 1/4"	<b>YP6627</b>	1,575.	1,223.	1,355.	1,560.
	72"	27"	1 1/4"	<b>YP7227</b>	1,647.	1,246.	1,387.	1,613.
	78"	27"	1 1/4"	<b>YP7827</b>	1,721.	1,276.	1,428.	1,675.
	84"	27"	1 1/4"	<b>YP8427</b>	1,794.	1,301.	1,462.	1,729.
	90"	27"	1 1/4"	<b>YP9027</b>	1,887.	1,357.	1,527.	1,812.
	96"	27"	1 1/4"	<b>YP9627</b>	1,954.	1,380.	1,560.	1,866.
Overlay Desk Tops, 30" Deep Rectangular 	30"	30"	1 1/4"	<b>YP3030</b>	1,141.	1,026.	1,104.	1,206.
	36"	30"	1 1/4"	<b>YP3630</b>	1,227.	1,063.	1,152.	1,275.
	42"	30"	1 1/4"	<b>YP4230</b>	1,307.	1,095.	1,194.	1,340.
	48"	30"	1 1/4"	<b>YP4830</b>	1,384.	1,118.	1,229.	1,394.
	54"	30"	1 1/4"	<b>YP5430</b>	1,468.	1,152.	1,272.	1,460.
	60"	30"	1 1/4"	<b>YP6030</b>	1,566.	1,207.	1,338.	1,546.
	66"	30"	1 1/4"	<b>YP6630</b>	1,649.	1,240.	1,382.	1,612.
	72"	30"	1 1/4"	<b>YP7230</b>	1,727.	1,265.	1,418.	1,670.
	78"	30"	1 1/4"	<b>YP7830</b>	1,806.	1,297.	1,460.	1,734.
	84"	30"	1 1/4"	<b>YP8430</b>	1,883.	1,322.	1,494.	1,792.
	90"	30"	1 1/4"	<b>YP9030</b>	2,002.	1,397.	1,580.	1,899.
	96"	30"	1 1/4"	<b>YP9630</b>	2,073.	1,421.	1,613.	1,956.

### Ordering Information

#### Overlay Desk Tops

1. Pattern Number
2. Top Finish
3. Edge Finish  
(for laminate tops only)

### Order Code

#### Overlay Desk Tops

*Example:* **YP7827C, 311, V440**

<b>YT</b>	Table
<b>78</b>	Width
<b>27</b>	Depth
<b>C</b>	Color Core Laminate
<b>311</b>	Solid Gallery White Top
<b>V440</b>	Natural Hemlock Edge

### Included With

#### Overlay Desk Tops

### Options

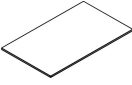
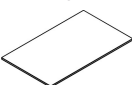
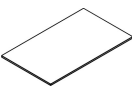
#### Overlay Desk Tops

#### Top Finish Options:

Add a (C) for color core laminate or (V) for veneer suffix to pattern number.

# Overlay Tops for Desks

## 36", 42" and 48" Deep Rectangular

description	w	d	h	pattern no.	Color Core Laminate (C)	V1 (V)	V2 (V)	V3 (V)
Overlay Desk Tops, 36" Deep Rectangular 	30"	36"	1 1/4"	<b>YP3036</b>	\$1,227.	\$1,063.	\$1,152.	\$1,275.
	36"	36"	1 1/4"	<b>YP3636</b>	1,323.	1,098.	1,199.	1,348.
	42"	36"	1 1/4"	<b>YP4236</b>	1,410.	1,123.	1,238.	1,412.
	48"	36"	1 1/4"	<b>YP4836</b>	1,506.	1,160.	1,286.	1,488.
	54"	36"	1 1/4"	<b>YP5436</b>	1,600.	1,196.	1,334.	1,562.
	60"	36"	1 1/4"	<b>YP6036</b>	1,718.	1,255.	1,404.	1,661.
	66"	36"	1 1/4"	<b>YP6636</b>	1,811.	1,292.	1,452.	1,733.
	72"	36"	1 1/4"	<b>YP7236</b>	1,900.	1,316.	1,491.	1,800.
	78"	36"	1 1/4"	<b>YP7836</b>	1,987.	1,344.	1,531.	1,866.
	84"	36"	1 1/4"	<b>YP8436</b>	2,075.	1,372.	1,571.	1,933.
	90"	36"	1 1/4"	<b>YP9036</b>	2,192.	1,437.	1,646.	2,034.
	96"	36"	1 1/4"	<b>YP9636</b>	2,287.	1,464.	1,687.	2,101.
Overlay Desk Tops, 42" Deep Rectangular 	42"	42"	1 1/4"	<b>YP4242</b>	1,523.	1,172.	1,297.	1,503.
	84"	42"	1 1/4"	<b>YP8442</b>	2,287.	1,423.	1,646.	2,072.
Overlay Desk Tops, 48" Deep Rectangular 	30"	48"	1 1/4"	<b>YP3048</b>	1,394.	1,132.	1,241.	1,406.
	36"	48"	1 1/4"	<b>YP3648</b>	1,516.	1,175.	1,299.	1,500.
	42"	48"	1 1/4"	<b>YP4248</b>	1,636.	1,216.	1,355.	1,594.
	48"	48"	1 1/4"	<b>YP4848</b>	1,777.	1,245.	1,401.	1,675.
	54"	48"	1 1/4"	<b>YP5448</b>	1,890.	1,276.	1,448.	1,758.
	60"	48"	1 1/4"	<b>YP6048</b>	2,037.	1,341.	1,528.	1,874.
	66"	48"	1 1/4"	<b>YP6648</b>	2,151.	1,374.	1,575.	1,957.
	72"	48"	1 1/4"	<b>YP7248</b>	2,265.	1,406.	1,624.	2,042.
	78"	48"	1 1/4"	<b>YP7848</b>	2,378.	1,439.	1,672.	2,125.
	84"	48"	1 1/4"	<b>YP8448</b>	2,497.	1,474.	1,721.	2,211.
	90"	48"	1 1/4"	<b>YP9048</b>	2,641.	1,543.	1,806.	2,332.
	96"	48"	1 1/4"	<b>YP9648</b>	2,756.	1,576.	1,855.	2,418.

Tops

### Ordering Information

- Overlay Desk Tops**
1. Pattern Number
  2. Top Finish
  3. Edge Finish (for laminate tops only)

### Order Code

**Overlay Desk Tops**

*Example: YP7836C, 311, V440*

<b>YT</b>	Table
<b>78</b>	Width
<b>36</b>	Depth
<b>C</b>	Color Core Laminate
<b>311</b>	Solid Gallery White Top
<b>V440</b>	Natural Hemlock Edge

### Included With

**Overlay Desk Tops**

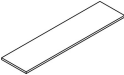


### Options

**Overlay Desk Tops**

**Top Finish Options:**  
Add a (C) for color core laminate or (V) for veneer suffix to pattern number.

# Overlay Benching Tops for Desks and Big Tables

## 18", 24" and 27" Deep Rectangular

description	w	d	h	pattern no.	Color Core Laminate (C)	V1 (V)	V2 (V)	V3 (V)
Overlay Benching Tops, 18" Deep Rectangular 	30"	18"	1 1/4"	<b>YPB3018</b>	\$1,002.	\$780.	\$897.	\$1,075.
	36"	18"	1 1/4"	<b>YPB3618</b>	1,048.	808.	930.	1,115.
	42"	18"	1 1/4"	<b>YPB4218</b>	1,081.	836.	961.	1,154.
	48"	18"	1 1/4"	<b>YPB4818</b>	1,114.	859.	988.	1,185.
	54"	18"	1 1/4"	<b>YPB5418</b>	1,171.	880.	1,012.	1,216.
	60"	18"	1 1/4"	<b>YPB6018</b>	1,225.	947.	1,090.	1,308.
	66"	18"	1 1/4"	<b>YPB6618</b>	1,309.	977.	1,122.	1,348.
	72"	18"	1 1/4"	<b>YPB7218</b>	1,393.	999.	1,149.	1,378.
	78"	18"	1 1/4"	<b>YPB7818</b>	1,476.	1,021.	1,174.	1,407.
	84"	18"	1 1/4"	<b>YPB8418</b>	1,559.	1,050.	1,206.	1,448.
	90"	18"	1 1/4"	<b>YPB9018</b>	1,615.	1,087.	1,248.	1,498.
96"	18"	1 1/4"	<b>YPB9618</b>	1,671.	1,114.	1,281.	1,538.	
Overlay Benching Tops, 24" Deep Rectangular 	30"	24"	1 1/4"	<b>YPB3024</b>	956.	877.	938.	1,062.
	36"	24"	1 1/4"	<b>YPB3624</b>	1,031.	910.	978.	1,117.
	42"	24"	1 1/4"	<b>YPB4224</b>	1,093.	931.	1,008.	1,167.
	48"	24"	1 1/4"	<b>YPB4824</b>	1,154.	952.	1,038.	1,213.
	54"	24"	1 1/4"	<b>YPB5424</b>	1,223.	981.	1,075.	1,267.
	60"	24"	1 1/4"	<b>YPB6024</b>	1,330.	1,060.	1,162.	1,372.
	66"	24"	1 1/4"	<b>YPB6624</b>	1,399.	1,089.	1,201.	1,427.
	72"	24"	1 1/4"	<b>YPB7224</b>	1,465.	1,111.	1,233.	1,477.
	78"	24"	1 1/4"	<b>YPB7824</b>	1,534.	1,141.	1,271.	1,532.
	84"	24"	1 1/4"	<b>YPB8424</b>	1,597.	1,161.	1,302.	1,580.
	90"	24"	1 1/4"	<b>YPB9024</b>	1,694.	1,230.	1,378.	1,673.
96"	24"	1 1/4"	<b>YPB9624</b>	1,757.	1,251.	1,408.	1,722.	
Overlay Benching Tops, 27" Deep Rectangular 	30"	27"	1 1/4"	<b>YPB3027</b>	1,011.	909.	972.	1,111.
	36"	27"	1 1/4"	<b>YPB3627</b>	1,099.	957.	1,030.	1,188.
	42"	27"	1 1/4"	<b>YPB4227</b>	1,173.	980.	1,064.	1,241.
	48"	27"	1 1/4"	<b>YPB4827</b>	1,245.	1,010.	1,104.	1,300.
	54"	27"	1 1/4"	<b>YPB5427</b>	1,311.	1,033.	1,136.	1,353.
	60"	27"	1 1/4"	<b>YPB6027</b>	1,417.	1,097.	1,210.	1,446.
	66"	27"	1 1/4"	<b>YPB6627</b>	1,483.	1,118.	1,240.	1,494.
	72"	27"	1 1/4"	<b>YPB7227</b>	1,555.	1,142.	1,273.	1,550.
	78"	27"	1 1/4"	<b>YPB7827</b>	1,629.	1,174.	1,314.	1,609.
	84"	27"	1 1/4"	<b>YPB8427</b>	1,699.	1,196.	1,348.	1,663.
	90"	27"	1 1/4"	<b>YPB9027</b>	1,795.	1,253.	1,413.	1,747.
96"	27"	1 1/4"	<b>YPB9627</b>	1,861.	1,274.	1,446.	1,799.	

### Ordering Information

#### Overlay Benching Tops

1. Pattern Number
2. Top Finish
3. Edge Finish (for laminate tops only)

### Order Code

#### Overlay Benching Tops

*Example:* **YPB7824C, 311, V440**

<b>YPB</b>	Table
<b>78</b>	Width
<b>24</b>	Depth
<b>C</b>	Color Core Laminate
<b>311</b>	Solid Gallery White Top
<b>V440</b>	Natural Hemlock Edge

### Included With

#### Overlay Benching Tops

### Options

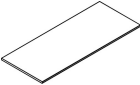
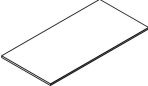
#### Overlay Benching Tops

#### Top Finish Options:

Add a (C) for color core laminate or (V) for veneer suffix to pattern number.

# Overlay Benching Tops for Desks and Big Tables

## 30" and 36" Deep Rectangular

description	w	d	h	pattern no.	Color Core Laminate (C)	V1 (V)	V2 (V)	V3 (V)
Overlay Benching Tops, 30" Deep Rectangular 	30"	30"	1 1/4"	<b>YPB3030</b>	\$1,043.	\$917.	\$986.	\$1,140.
	36"	30"	1 1/4"	<b>YPB3630</b>	1,132.	955.	1,032.	1,210.
	42"	30"	1 1/4"	<b>YPB4230</b>	1,211.	987.	1,075.	1,274.
	48"	30"	1 1/4"	<b>YPB4830</b>	1,287.	1,010.	1,110.	1,329.
	54"	30"	1 1/4"	<b>YPB5430</b>	1,372.	1,043.	1,153.	1,394.
	60"	30"	1 1/4"	<b>YPB6030</b>	1,468.	1,099.	1,219.	1,482.
	66"	30"	1 1/4"	<b>YPB6630</b>	1,554.	1,132.	1,263.	1,546.
	72"	30"	1 1/4"	<b>YPB7230</b>	1,631.	1,156.	1,298.	1,604.
	78"	30"	1 1/4"	<b>YPB7830</b>	1,710.	1,188.	1,340.	1,669.
	84"	30"	1 1/4"	<b>YPB8430</b>	1,787.	1,213.	1,376.	1,725.
	90"	30"	1 1/4"	<b>YPB9030</b>	1,905.	1,289.	1,461.	1,833.
	96"	30"	1 1/4"	<b>YPB9630</b>	1,977.	1,311.	1,494.	1,889.
Overlay Benching Tops, 36" Deep Rectangular 	30"	36"	1 1/4"	<b>YPB3036</b>	1,122.	947.	1,024.	1,208.
	36"	36"	1 1/4"	<b>YPB3636</b>	1,219.	982.	1,070.	1,282.
	42"	36"	1 1/4"	<b>YPB4236</b>	1,306.	1,008.	1,109.	1,345.
	48"	36"	1 1/4"	<b>YPB4836</b>	1,400.	1,044.	1,157.	1,422.
	54"	36"	1 1/4"	<b>YPB5436</b>	1,494.	1,081.	1,205.	1,494.
	60"	36"	1 1/4"	<b>YPB6036</b>	1,612.	1,140.	1,275.	1,595.
	66"	36"	1 1/4"	<b>YPB6636</b>	1,708.	1,176.	1,323.	1,668.
	72"	36"	1 1/4"	<b>YPB7236</b>	1,796.	1,202.	1,363.	1,733.
	78"	36"	1 1/4"	<b>YPB7836</b>	1,883.	1,229.	1,402.	1,798.
	84"	36"	1 1/4"	<b>YPB8436</b>	1,970.	1,256.	1,442.	1,867.
	90"	36"	1 1/4"	<b>YPB9036</b>	2,090.	1,321.	1,518.	1,967.
	96"	36"	1 1/4"	<b>YPB9636</b>	2,181.	1,350.	1,558.	2,035.

Tops

### Ordering Information

#### Overlay Benching Tops

1. Pattern Number
2. Top Finish
3. Edge Finish (for laminate tops only)

### Order Code

#### Overlay Benching Tops

*Example:* **YPB7830C, 311, V440**

<b>YPB</b>	Table
<b>78</b>	Width
<b>30</b>	Depth
<b>C</b>	Color Core Laminate
<b>311</b>	Solid Gallery White Top
<b>V440</b>	Natural Hemlock Edge

### Included With

#### Overlay Benching Tops

### Options

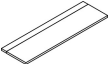
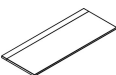
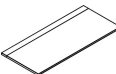
#### Overlay Benching Tops

#### Top Finish Options:

Add a (C) for color core laminate or (V) for veneer suffix to pattern number.

# Overlay Hinged Access Tops for Big Tables

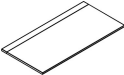
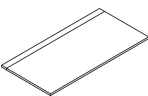
## 18", 24" and 27" Deep Rectangular

description	w	d	h	pattern no.	Color Core Laminate (C)	V1 (V)	V2 (V)	V3 (V)
Overlay Big Table Tops, 18" Deep Rectangular with Hinged Access 	48"	18"	1 1/4"	<b>YPH4818</b>	\$1,559.	\$1,193.	\$1,322.	\$1,519.
	54"	18"	1 1/4"	<b>YPH5418</b>	1,615.	1,215.	1,346.	1,550.
	60"	18"	1 1/4"	<b>YPH6018</b>	1,671.	1,281.	1,424.	1,642.
	66"	18"	1 1/4"	<b>YPH6618</b>	1,755.	1,311.	1,457.	1,683.
	72"	18"	1 1/4"	<b>YPH7218</b>	1,839.	1,334.	1,483.	1,712.
	78"	18"	1 1/4"	<b>YPH7818</b>	1,921.	1,355.	1,508.	1,741.
	84"	18"	1 1/4"	<b>YPH8418</b>	2,005.	1,384.	1,541.	1,782.
Overlay Big Table Tops, 24" Deep Rectangular with Hinged Access 	48"	24"	1 1/4"	<b>YPH4824</b>	1,616.	1,304.	1,380.	1,601.
	54"	24"	1 1/4"	<b>YPH5424</b>	1,689.	1,331.	1,413.	1,656.
	60"	24"	1 1/4"	<b>YPH6024</b>	1,811.	1,428.	1,518.	1,785.
	66"	24"	1 1/4"	<b>YPH6624</b>	1,878.	1,456.	1,555.	1,845.
	72"	24"	1 1/4"	<b>YPH7224</b>	1,977.	1,512.	1,617.	1,930.
	78"	24"	1 1/4"	<b>YPH7824</b>	2,057.	1,539.	1,651.	1,987.
	84"	24"	1 1/4"	<b>YPH8424</b>	2,119.	1,557.	1,678.	2,037.
Overlay Big Table Tops, 27" Deep Rectangular with Hinged Access 	48"	27"	1 1/4"	<b>YPH4827</b>	1,670.	1,338.	1,420.	1,663.
	54"	27"	1 1/4"	<b>YPH5427</b>	1,754.	1,357.	1,447.	1,716.
	60"	27"	1 1/4"	<b>YPH6027</b>	1,895.	1,465.	1,564.	1,857.
	66"	27"	1 1/4"	<b>YPH6627</b>	1,972.	1,485.	1,594.	1,913.
	72"	27"	1 1/4"	<b>YPH7227</b>	2,072.	1,542.	1,657.	2,002.
	78"	27"	1 1/4"	<b>YPH7827</b>	2,156.	1,571.	1,695.	2,065.
	84"	27"	1 1/4"	<b>YPH8427</b>	2,229.	1,590.	1,723.	2,117.

Ordering Information	Order Code	Included With	Options
<b>Overlay Big Table Tops</b> 1. Pattern Number 2. Top Finish 3. Edge Finish (for laminate tops only) 4. Paint Finish	<b>Overlay Big Table Tops</b> <i>Example:</i> <b>YPH7824C, 311, V440, 118T</b> <hr/> <b>YTH</b> Table <hr/> <b>78</b> Width <hr/> <b>24</b> Depth <hr/> <b>C</b> Color Core Laminate <hr/> <b>311</b> Solid Gallery White Top <hr/> <b>V440</b> Natural Hemlock Edge <hr/> <b>118T</b> Bright White Paint	<b>Overlay Big Table Tops</b>	<b>Overlay Big Table Tops</b> <b>Top Finish Options:</b> Add a (C) for color core laminate or (V) for veneer suffix to pattern number.

# Overlay Hinged Access Tops for Big Tables

## 30" and 36" Deep Rectangular





description	w	d	h	pattern no.	Color Core Laminate (C)	V1 (V)	V2 (V)	V3 (V)
Overlay Big Table Tops, 30" Deep Rectangular with Hinged Access 	48"	30"	1 1/4"	<b>YPH4830</b>	\$1,766.	\$1,376.	\$1,463.	\$1,729.
	54"	30"	1 1/4"	<b>YPH5430</b>	1,849.	1,405.	1,503.	1,797.
	60"	30"	1 1/4"	<b>YPH6030</b>	1,962.	1,468.	1,575.	1,897.
	66"	30"	1 1/4"	<b>YPH6630</b>	2,044.	1,498.	1,612.	1,968.
	72"	30"	1 1/4"	<b>YPH7230</b>	2,143.	1,557.	1,683.	2,057.
	78"	30"	1 1/4"	<b>YPH7830</b>	2,240.	1,580.	1,715.	2,108.
	84"	30"	1 1/4"	<b>YPH8430</b>	2,310.	1,608.	1,754.	2,184.
Overlay Big Table Tops, 36" Deep Rectangular with Hinged Access 	48"	36"	1 1/4"	<b>YPH4836</b>	1,873.	1,528.	1,654.	1,855.
	54"	36"	1 1/4"	<b>YPH5436</b>	1,967.	1,564.	1,700.	1,930.
	60"	36"	1 1/4"	<b>YPH6036</b>	2,086.	1,624.	1,772.	2,027.
	66"	36"	1 1/4"	<b>YPH6636</b>	2,179.	1,658.	1,820.	2,100.
	72"	36"	1 1/4"	<b>YPH7236</b>	2,268.	1,685.	1,858.	2,168.
	78"	36"	1 1/4"	<b>YPH7836</b>	2,355.	1,712.	1,898.	2,232.
	84"	36"	1 1/4"	<b>YPH8436</b>	2,444.	1,739.	1,938.	2,300.

Tops

Ordering Information	Order Code	Included With	Options
<b>Overlay Big Table Tops</b> 1. Pattern Number 2. Top Finish 3. Edge Finish (for laminate tops only) 4. Paint Finish	<b>Overlay Big Table Tops</b> <i>Example:</i> <b>YPH7830C, 311, V440, 118T</b> <hr/> <b>YTH</b> Table <hr/> <b>78</b> Width <hr/> <b>30</b> Depth <hr/> <b>C</b> Color Core Laminate <hr/> <b>311</b> Solid Gallery White Top <hr/> <b>V440</b> Natural Hemlock Edge <hr/> <b>118T</b> Bright White Paint	<b>Overlay Big Table Tops</b>	<b>Overlay Big Table Tops</b> <b>Top Finish Options:</b> Add a (C) for color core laminate or (V) for veneer suffix to pattern number.

# Overlay Extension Tops for Desks and Big Tables

## 15" Wide and 18" Wide Rectangular

description	type	w	d	h	pattern no.	Color Core	V1	V2	V3
						Laminate (C)			
Overlay Desk Extension Tops, 15" Wide Rectangular 	For use with 24" deep desk tops	15"	24"	1 1/4"	<b>YPE1524</b>	\$953.	\$781.	\$825.	\$885.
	For use with 27" deep desk tops	15"	27"	1 1/4"	<b>YPE1527</b>	977.	789.	836.	904.
	For use with 30" deep desk tops	15"	30"	1 1/4"	<b>YPE1530</b>	1,003.	801.	849.	923.
	For use with 36" deep desk tops	15"	36"	1 1/4"	<b>YPE1536</b>	1,056.	815.	869.	959.
Overlay Back to Back Desk Extension Tops, 15" Wide Rectangular 	For use with 18" deep back to back tops	15"	39 3/4"	1 1/4"	<b>YPE1539</b>	1,095.	836.	891.	1,036.
	For use with 24" deep back to back tops	15"	51 3/4"	1 1/4"	<b>YPE1552</b>	1,215.	868.	938.	1,069.
	For use with 27" deep back to back tops	15"	57 3/4"	1 1/4"	<b>YPE1558</b>	1,264.	886.	960.	1,109.
	For use with 30" deep back to back tops	15"	63 3/4"	1 1/4"	<b>YPE1564</b>	1,308.	898.	980.	1,142.
	For use with 36" deep back to back tops	15"	75 3/4"	1 1/4"	<b>YPE1576</b>	1,337.	923.	995.	1,171.
Overlay Dual Sided Big Table Extension Tops, 15" Wide Rectangular 	For use with 18" deep dual big table tops	15"	41 1/2"	1 1/4"	<b>YPE1541</b>	1,095.	836.	891.	1,036.
	For use with 24" deep dual big table tops	15"	53 1/2"	1 1/4"	<b>YPE1553</b>	1,215.	868.	938.	1,069.
	For use with 27" deep dual big table tops	15"	59 1/2"	1 1/4"	<b>YPE1559</b>	1,264.	886.	960.	1,109.
	For use with 30" deep dual big table tops	15"	65 1/2"	1 1/4"	<b>YPE1565</b>	1,308.	898.	980.	1,142.
	For use with 36" deep dual big table tops	15"	77 1/2"	1 1/4"	<b>YPE1577</b>	1,337.	923.	995.	1,171.
Overlay Dual Sided Big Table Extension Tops, 18" Wide Rectangular 	For use with 18" deep dual big table tops	18"	41 1/2"	1 1/4"	<b>YPE1841</b>	1,315.	1,008.	1,071.	1,246.
	For use with 24" deep dual big table tops	18"	53 1/2"	1 1/4"	<b>YPE1853</b>	1,459.	1,039.	1,124.	1,283.
	For use with 27" deep dual big table tops	18"	59 1/2"	1 1/4"	<b>YPE1859</b>	1,517.	1,061.	1,151.	1,331.
	For use with 30" deep dual big table tops	18"	65 1/2"	1 1/4"	<b>YPE1865</b>	1,570.	1,082.	1,167.	1,368.
	For use with 36" deep dual big table tops	18"	77 1/2"	1 1/4"	<b>YPE1877</b>	1,602.	1,109.	1,193.	1,405.

### Ordering Information

#### Overlay Extension Tops

1. Pattern Number
2. Top Finish
3. Edge Finish  
(for laminate tops only)

### Order Code

#### Overlay Extension Tops

*Example:* **YPE1559C, 311, V440**

<b>YP</b>	Table
<b>E</b>	Extension
<b>78</b>	Width
<b>30</b>	Depth
<b>C</b>	Color Core Laminate
<b>311</b>	Solid Gallery White Top
<b>V440</b>	Natural Hemlock Edge

### Included With

#### Overlay Extension Tops

### Options

#### Overlay Extension Tops

#### Top Finish Options:

Add a (C) for color core laminate or (V) for veneer suffix to pattern number.

Antenna desks, returns, bridges and tables have a simple structure: tops are supported by a combination of rails and legs. All can be specified as complete kits or by combining a few basic components.

### Desks and Tables

Desks are assembled from a top, starter rails and two corresponding depth desk end legs. Starter rails are inset 1 1/2" from each end of the top and end legs are inset 1 1/2" from front and back edges of top. Desk end legs are an inverted U-shape that connects to the underside of the rails at any point within stability guidelines.

Desks can be assembled with tops up to 48" deep, starter rails and desk end legs. Desk end legs are different from table desk end legs, which are used for stand-alone tables.

Unlike desk end legs that attach to the underside of rails, table desk end legs capture the end of the rails. Starter rails without end caps should be specified for stand-alone table desks because the table desk legs cover the ends of the rails, so end caps are not needed. Table desk end legs can only be installed at the end of the worksurface and are taller than the desk end legs, so knees can fit under the end of the table.

Returns are assembled with tops 18"-48" deep, return rails, and an end leg. Return rails are 6" wider than the return top that is connecting to the perpendicular desk rails.

Bridges are assembled from tops and bridge rails. Bridge rails are 9" wider than the bridge top that is connecting to perpendicular desks at both ends. Desks with extension tops or desk extension cabinets require

starter rails that are 12" wider than the adjacent top. Returns with extension tops or cabinets require return rails 12" wider than return top width. The desk end leg is positioned where the top and cabinet meet.

Tops planned end-to-end can share a desk end leg where the tops meet, but require one set of starter rails and one set of extended rails, which are 3" wider than the top.

Back-to-back desk tops can be supported by two sets of starter rails and back-to-back end legs. Designed to create a 3 3/4" space between the back-to-back tops for a desk mounted screen and wire drops on each side, back-to-back end legs are inset 1 1/2" from the front edges of the tops.

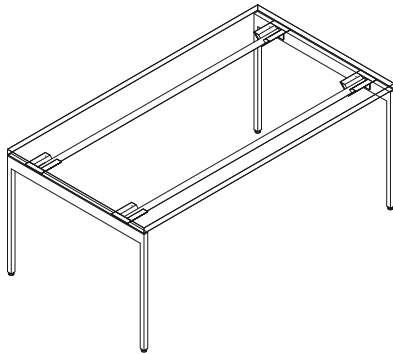


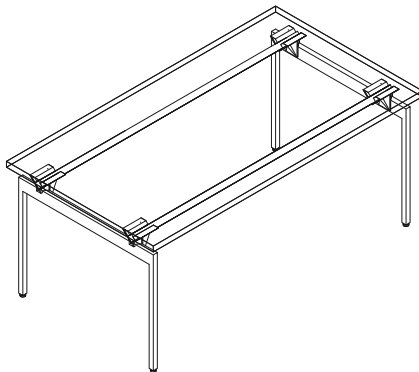
Table Desk End Leg Detail



Table Desk Side Elevation



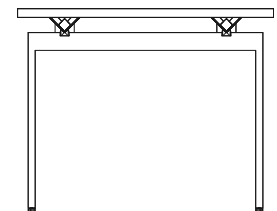
Table Desk End Elevation



Desk End Leg Detail



Desk Side Elevation



Desk End Elevation



Dual sided big tables are comprised of back to back tops with two sets of starter rails equal to the width of the tops and a center beam between, which span across two end legs for dual sided big tables. The center beam and starter rails correspond in width to the tops on either side.

End to end big table tops are supported by two pairs of extended rails, an additional center beam and an additional intermediate leg for each additional pair of tops.

Big tables with extension tops or desk extension cabinets require starter rails or extended rails 12" wider than the adjacent tops. The end leg is positioned where the top and cabinet meet. Center beam matches the top width.

End legs and intermediate legs for dual sided big tables with 24", 27" or 30" deep tops are always

50 1/2" deep. Legs are inset 1 1/2" from front edge of 24"D tops, 4 1/2" from front edge of 27"D tops and 7 1/2" from front of 30"D tops. Dual sided big table end and intermediate legs for 18" deep tops are 38 1/2" deep and inset 1 1/2" from the front edges of 18" deep tops. End legs and intermediate legs for dual sided big tables with 36" deep tops are 62 1/2" deep and inset 7 1/2" from front edges of 36" deep tops. For 36" deep dual sided big tables with tops wider than 54", an additional midspan support for the center beam must be specified separately. End legs can be positioned up to 6" in from ends of a big table and intermediate legs must be mounted directly under the joint of two tops.

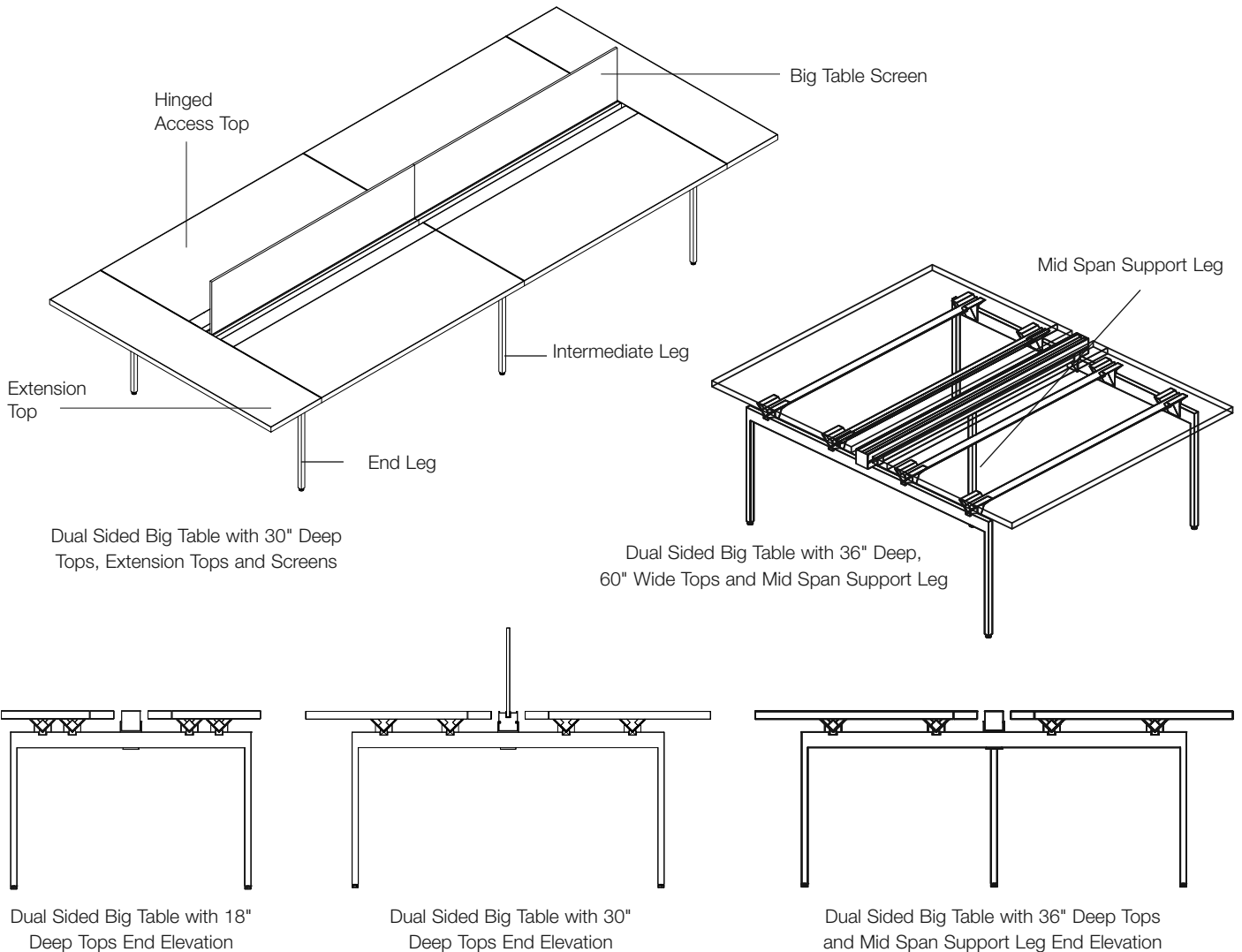
Inset intermediate legs offer more knee space than standard intermediate legs.

Inset legs are only 35 1/2" deep, so are recessed 9" from front edge of 24"D tops,

12" from front edge of 27"D tops, and 15" from front of 30"D tops. Inset intermediate legs for 36" deep dual sided big tables are 47 1/2" deep and recessed 15" from front edge of top. There are no inset intermediate legs available for 18" deep big tables.

Returns can be attached anywhere along big tables. Standard desk return rails can be specified with 18" or 24" deep big table tops. Since rails on big table tops deeper than 24" are recessed further from the front edge, return rails are 6" wider than return tops for big tables 27" deep and 9" wider than return tops for big tables 30" or 36" deep.

Antenna tops can serve as economical shared returns up to 48" deep with a single end leg or table desk end leg and one set of return rails.



Antenna Workspaces offers two versions of single sided big tables: basic and full back. Basic big tables can support power distribution, beam-mounted screens, Sapper monitor arms, platforms and cantilever shelves. Basic big tables do not support stanchion mounted open or enclosed cabinets, and are limited to 6" deep cable baskets below the center beam. Full back big tables, with an added 7 1/2" deep top on the back side of the center beam, add the options of full back panels, extension tops or stanchion mounted storage cabinets, and enable 12" deep as well as 6" cable baskets in the same configuration as dual tables.

**Basic Single Sided Big Tables**

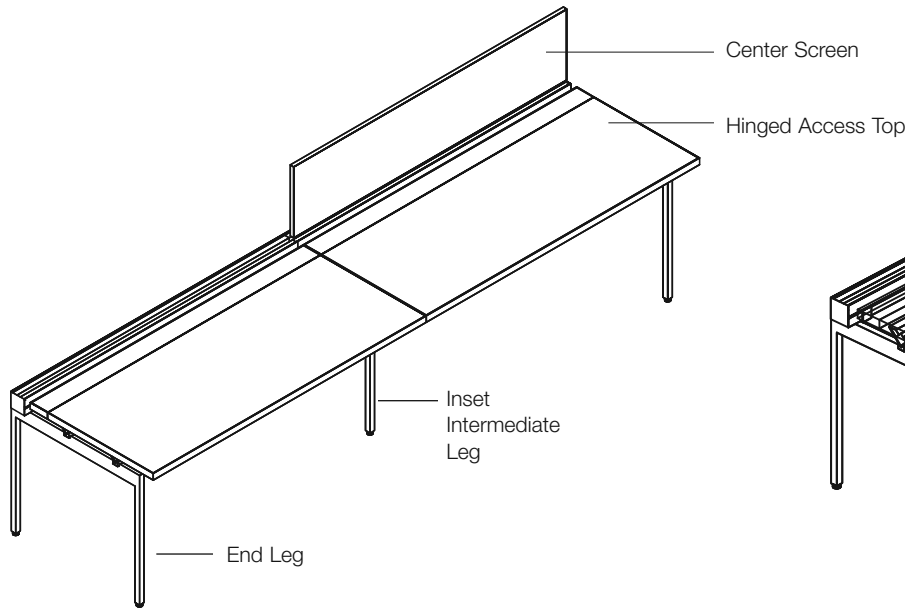
Single sided basic big tables include a top with starter rails and a center beam, which span across two end legs. The center beam and starter rails correspond in width to the desk top width. Adjacent big table tops are supported by a pair of extended rails on an additional intermediate leg, with corresponding width center beam.

Overall depth for basic single sided tables is about 5 1/2" greater than the big table tops. End legs and intermediate legs for basic single sided big tables with 18" deep tops are set back 1 1/2" from the front edge. End legs and intermediate legs for tables with tops that are 24", 27" or 30" deep are set back 1 1/2" from

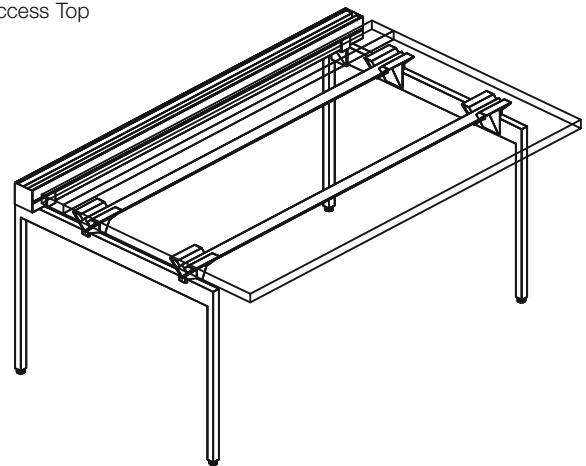
the front edge of 24" deep tops, 4 1/2" from the front of 27" deep tops, and 7 1/2" from the front of 30" deep tops. End legs and intermediate legs for basic big tables with 36" deep tops are set back 7 1/2" from the front edge.

For big tables with tops deeper than 18", inset intermediate legs offer more kneespace than standard intermediate legs: inset intermediate legs are recessed 9" from front edge of 24" deep tops, 12" from front of 27" deep tops and 15" from front of 30" or 36" deep tops.

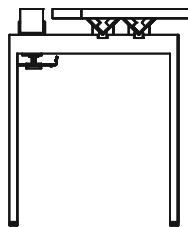
End legs can be positioned from 1 1/2" to 6" in from the end of a big table top. Intermediate legs or inset intermediate legs must be mounted directly under the joint of two tops.



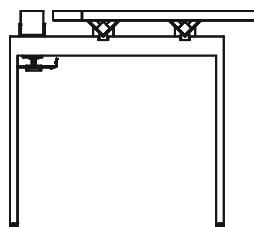
Basic Single Sided Big Table with 27" Deep Tops and Center Screen



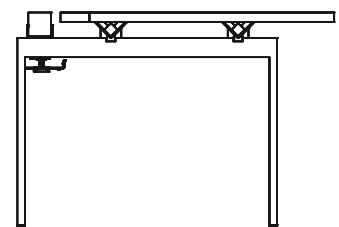
Basic Single Sided Big Table with 36" Deep Top



Basic Single Sided Big Table with 18" Deep Top



Basic Single Sided Big Table with 27" Deep Top



Basic Single Sided Big Table with 36" Deep Top End Elevation

**Full Back Single Sided Big Tables**

Single sided full back big tables include a top with pair of starter rails, a 7 1/2" deep back top with a single starter rail, and a center beam, which span across two end legs. The back top, center beam and starter rails correspond in width to the desk top width. Adjacent big table tops and back tops are supported by a pair of extended rails and a single extended rail, on an additional intermediate leg, with corresponding width center beam.

Big tables with extension tops require starter rails or extended rails for tops 12" wider than the actual adjacent big table tops. The center beam should remain the same width as the big table tops, and the end leg is positioned where the tops meet the extension.

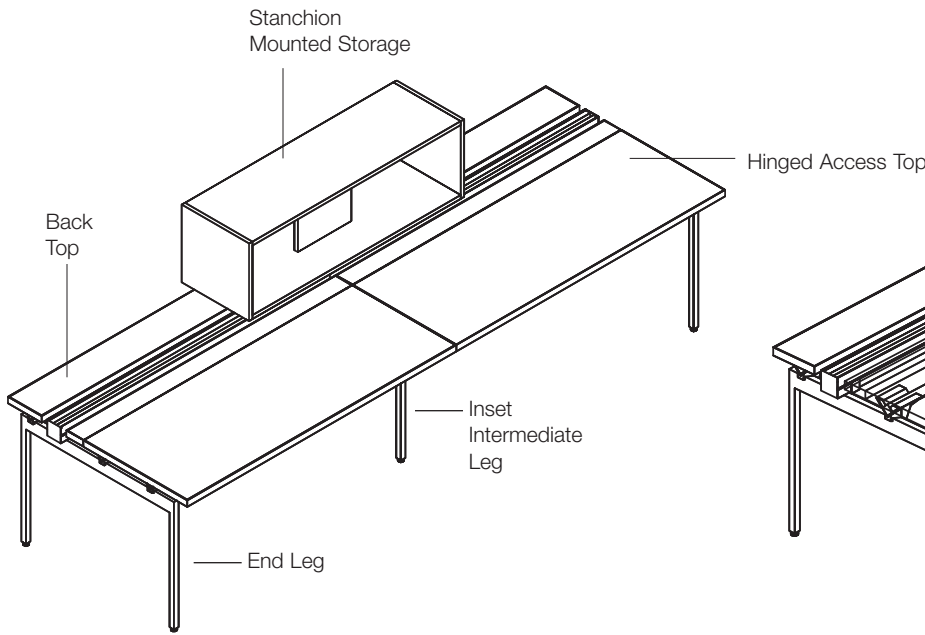
Overall depth of full back single sided big tables is about 13" more than the big table tops. End legs and intermediate legs for full back, single sided big tables with 18" deep tops are set back 1 1/2" from the front edge. End legs and intermediate legs for tables with tops that are 24", 27" or 30" deep are, set back 1 1/2" from the front edge of 24" deep tops, 4 1/2" from the front of 27" deep tops, and 7 1/2" from the front of 30" deep tops. End legs and intermediate legs for basic big tables with 36" deep tops are set back 7 1/2" from the front edge.

For big tables with tops deeper than 18", inset intermediate legs offer more kneespace than standard intermediate legs: inset intermediate legs are recessed 9" from front edge of 24" deep tops, 12" from front of 27" deep tops and 15" from front of 30" or 36" deep tops.

End legs can be positioned from 1 1/2" to 6" in from the end of a big table top, or centered under the joint of a top and extension top. Intermediate legs or inset intermediate legs must be mounted directly under the joint of two tops.

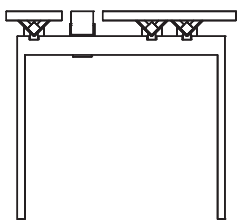
**Returns For Single Sided Big Tables**

Returns can be attached anywhere along basic or full back single sided big tables. Standard desk return rails can be specified with 18" or 24" deep big table tops. Since rails on deeper big tables are recessed further from the front edge, specify return rails 6" wider than the actual return top width for 27"D big tables, and 9" wider than the actual return width for 30" or 36" deep big tables.

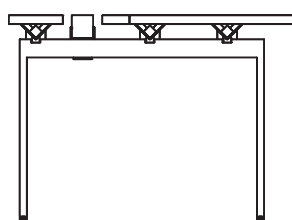


Single Sided Full Back Big Table with 27" Deep Tops and Stanchion Mounted Open Cabinet

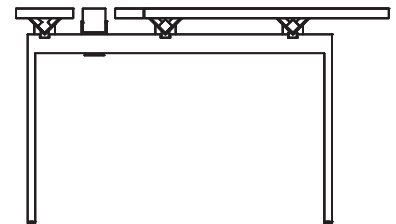
Full Back Single Sided Big Table with 36" Deep Tops



Single Sided Full Back Big Table with 18" Deep Tops End Elevation



Single Sided Full Back Big Table with 27" Deep Tops End Elevation



Single Sided Full Back Big Table with 36" Deep Tops

When specified and installed correctly, Antenna desks are extraordinarily strong and stable and meet or exceed BIFMA stability guidelines.

Rails can support Antenna tops and Overlay tops for up to 84" between supports, so desk tops wider than 84", returns wider than 78" or bridges wider than 72" require intermediate support from a desk end leg, floorstanding pedestal or Template

storage unit. Desk and big table tops are able to span 48"-84" between end legs.

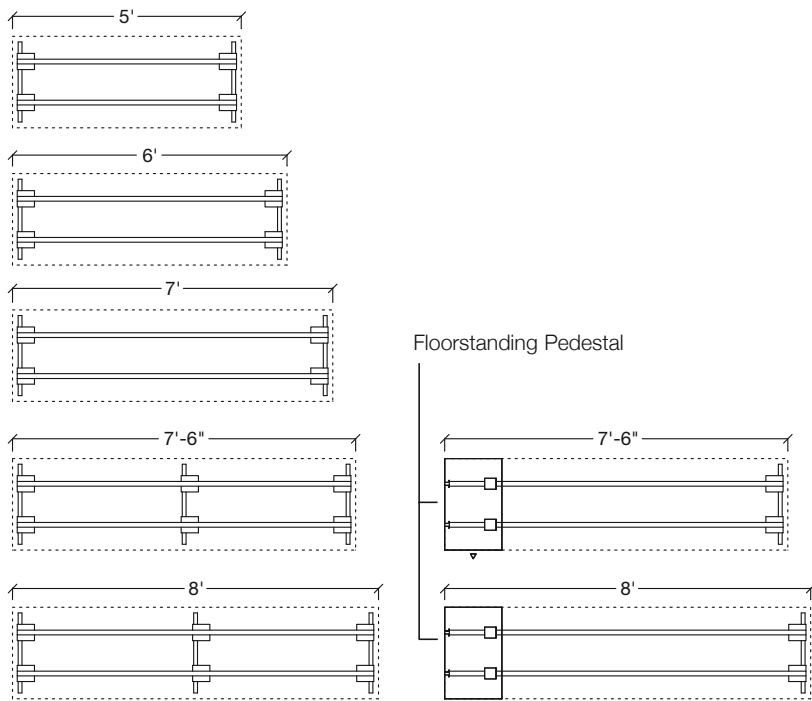
Desk end legs can be inset up to 6" from each end of freestanding desks of any width or up to 15" from ends of tops wider than 78". Rails for tops extending more than 7 1/2" should be fitted with YBCDE connectors to attach the end of the rail to the top.

Standing height end legs can create standing height tables from 48" to 72"

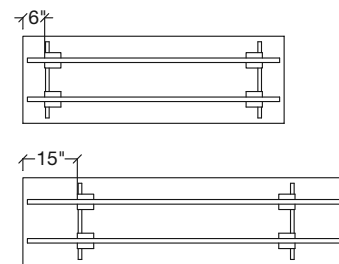
wide. Standing height end legs may not be used with single tops wider than 72".

For stability of desks with suspended storage and legs positioned inside of the cabinet, desk top must be anchored to the cabinet and desk top must be anchored to the other end with a floorstanding pedestal, a Template storage unit, Fence, a return or a bridge top.

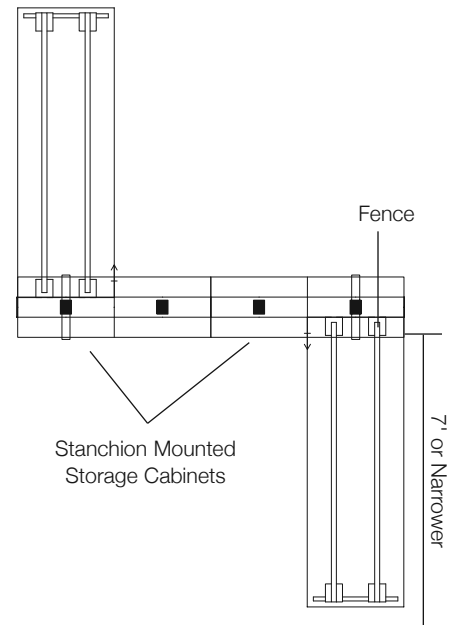
Fence with stanchion mounted storage must be anchored to a desk to provide sufficient stability.



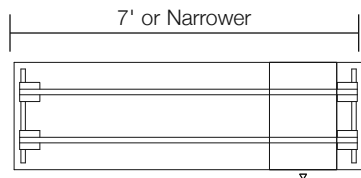
Desk Support Stability Guidelines



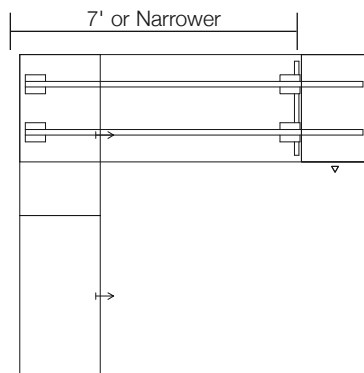
Standard End Leg Positions



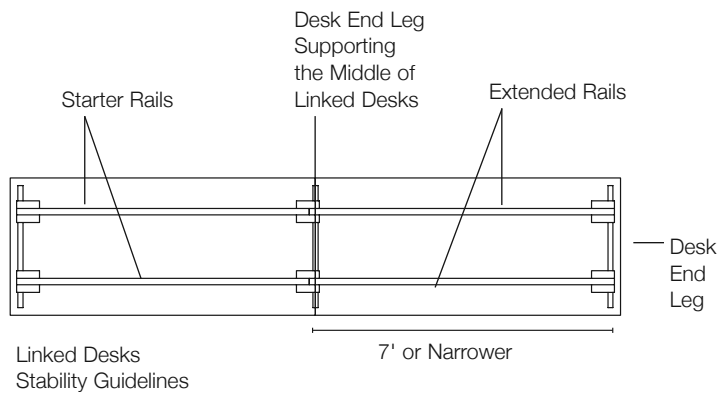
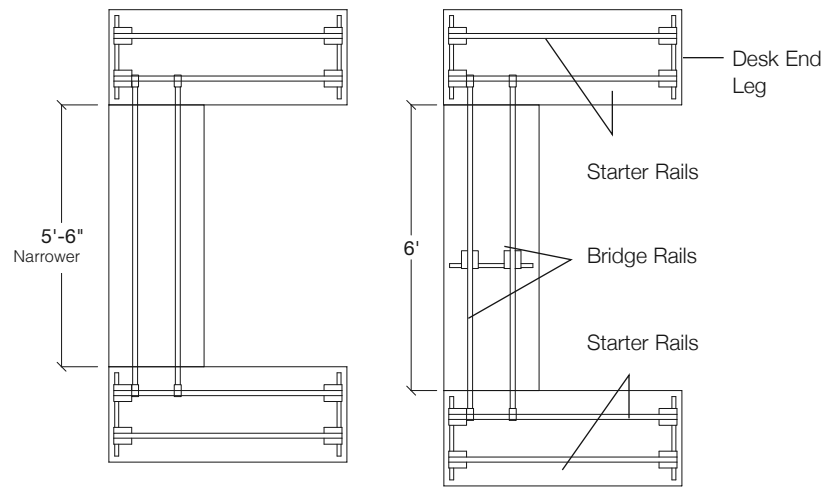
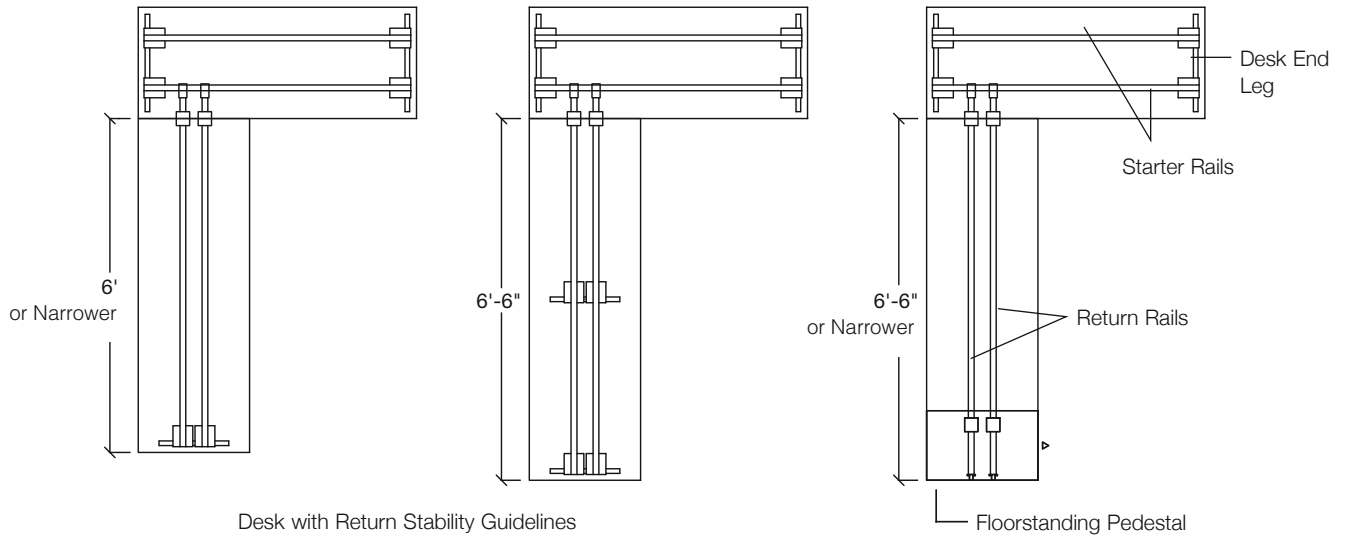
Fence Storage Stability Guidelines

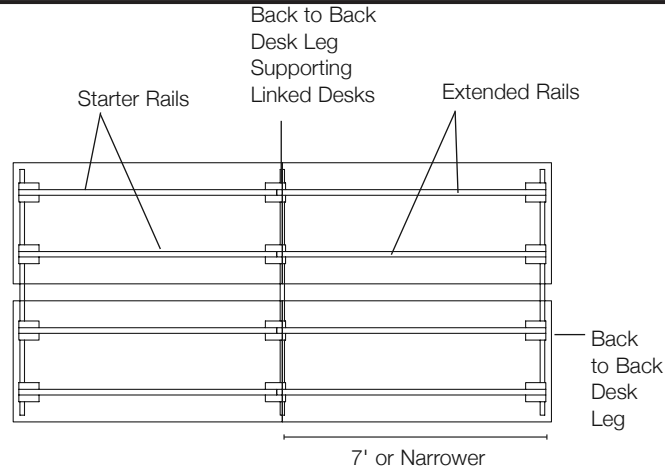


Desk with Suspended Storage Inside of Leg

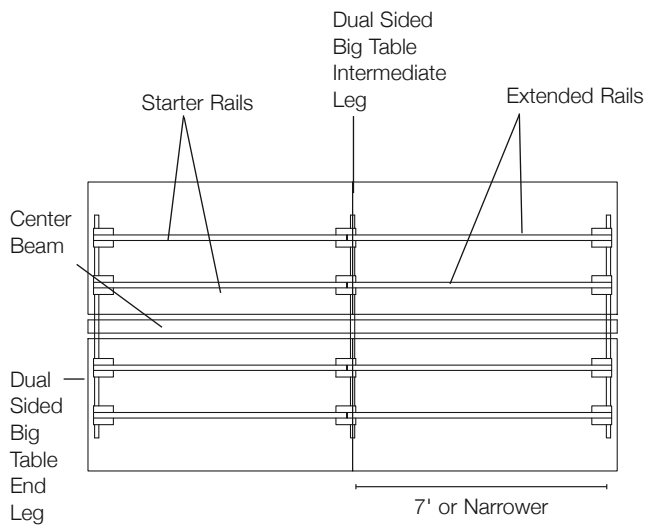


Desk with Suspended Storage Outside of Leg

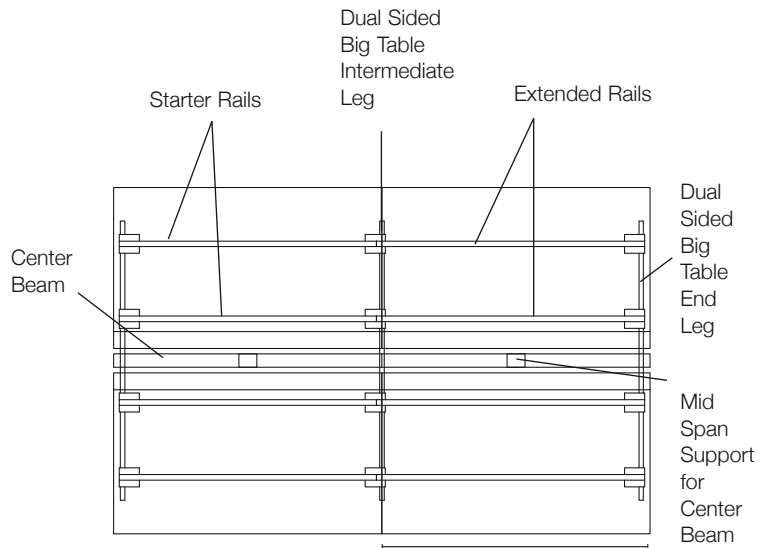




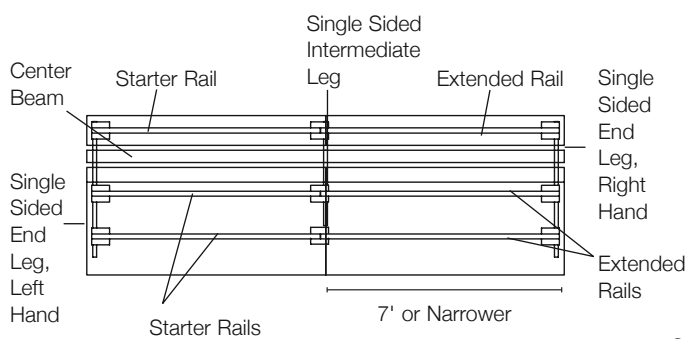
Back to Back Desks Stability Guidelines



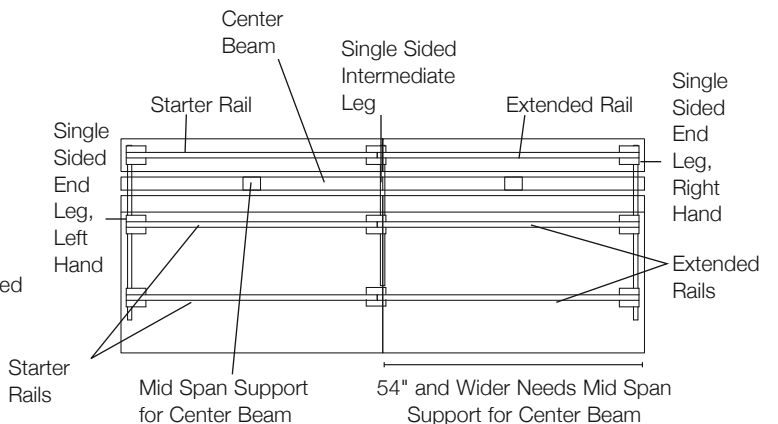
18", 24", 27" or 30" Deep Dual Sided Big Table Stability Guidelines



36" Deep Dual Sided Big Table Stability Guidelines



18", 24", 27" or 30" Deep Single Sided Big Table Stability Guidelines



36" Deep Single Sided Big Table Stability Guidelines

# Starter and Extended Rails

## Planning Guidelines and Specifications

Rails are a pair of painted steel tubes used to support an Antenna top and connect to the end legs. Rails correspond in width to the top or combination of top and extension top or cabinet. Rails are available in complete sets for specific applications: starter, extended, return and bridge.

Starter rails support an independent desk top, the first top in a linked cluster of desks or the first top in single-sided or dual big table applications. Starter rails include two rails 3" less than the width of a top, four end caps and spacers to support the center of the top above the rails. Starter rails are also available without end caps for use in table desk applications. Table desk end legs cover the ends of the rails,

so end caps are not needed. Starter rails are available in 6" increments from 33" to 93" wide.

Extended rails support a desk top planned end-to-end with another desk top, in both single-sided and dual big table configurations. Intermediate leg should be centered and cradles positioned to join the adjacent rails where the two desk tops meet. Extended rails include two rails the same width as a top, spacers and top to top brackets. Extended rails are available in 6" increments from 36" to 96" wide.

A single sided big table primary top uses the same starter and extended rails as dual sided big table tops. A single starter or extended rail must be specified to support the 7 1/2" deep back-top that is on the opposite side of

the center beam from the primary top. Single rails should be specified the same width as the rail pairs specified for the primary top.

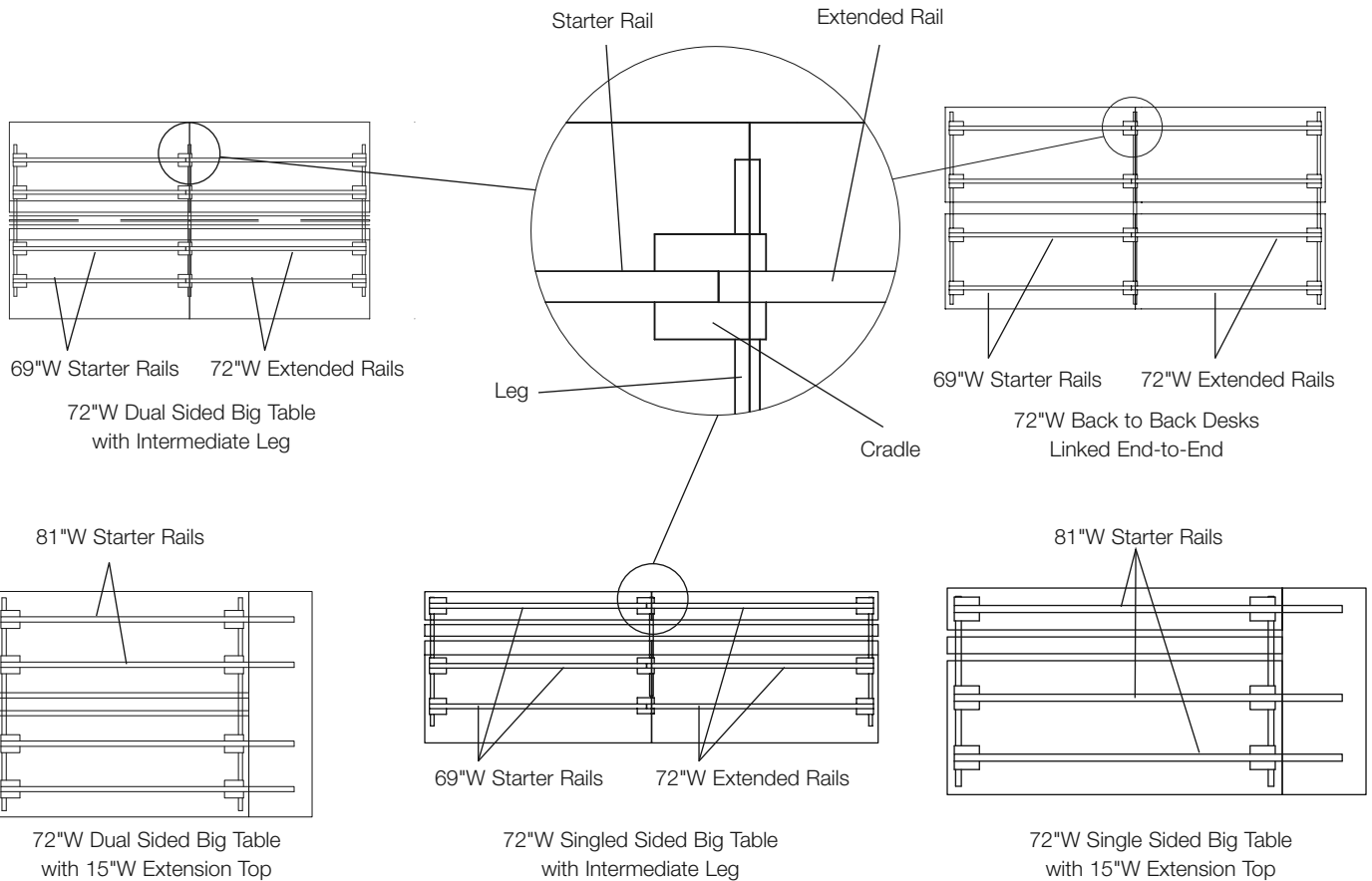
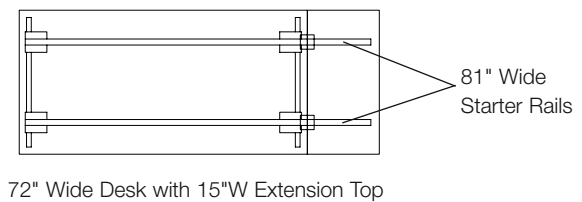
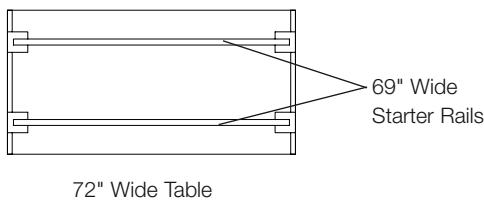
Connector kits for extension tops are required when cantilevering an extension surface to rails beyond a desk end leg. Desk or big tables rails should be specified 12" wider than adjacent surface for 15"W extension tops or 15" wider than adjacent surface for 18"W extension tops.

### Construction

Rails are 1 1/4" square steel tube. End caps are die cast aluminium. Return adapters are die cast aluminium.

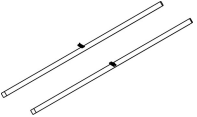
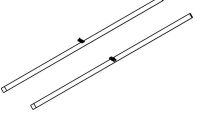
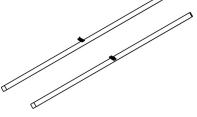

### Specifications Options

Specify rails and end caps in any Knoll core, Dark Red or Slate Blue paint finish.



# Starter and Extended Rails

## Rail Pairs For Desks, Tables or Big Tables

description	type	w	d	h	pattern no.	list
 Starter Rails with End Caps (pair)	For 36" Wide Desk	33"	1"	1"	<b>YBRS33</b>	\$107.
	For 42" Wide Desk	39"	1"	1"	<b>YBRS39</b>	126.
	For 48" Wide Desk	45"	1"	1"	<b>YBRS45</b>	138.
	For 54" Wide Desk	51"	1"	1"	<b>YBRS51</b>	177.
	For 60" Wide Desk	57"	1"	1"	<b>YBRS57</b>	180.
	For 66" Wide Desk	63"	1"	1"	<b>YBRS63</b>	185.
	For 72" Wide Desk	69"	1"	1"	<b>YBRS69</b>	190.
	For 78" Wide Desk	75"	1"	1"	<b>YBRS75</b>	193.
	For 84" Wide Desk	81"	1"	1"	<b>YBRS81</b>	299.
	For 90" Wide Desk	87"	1"	1"	<b>YBRS87</b>	304.
	For 96" Wide Desk	93"	1"	1"	<b>YBRS93</b>	306.
 Starter Rails without End Caps, For Use with Table Desks (pair)	For 36" Wide Desk	33"	1"	1"	<b>YBRT33</b>	91.
	For 42" Wide Desk	39"	1"	1"	<b>YBRT39</b>	100.
	For 48" Wide Desk	45"	1"	1"	<b>YBRT45</b>	124.
	For 54" Wide Desk	51"	1"	1"	<b>YBRT51</b>	162.
	For 60" Wide Desk	57"	1"	1"	<b>YBRT57</b>	165.
	For 66" Wide Desk	63"	1"	1"	<b>YBRT63</b>	171.
	For 72" Wide Desk	69"	1"	1"	<b>YBRT69</b>	175.
	For 78" Wide Desk	75"	1"	1"	<b>YBRT75</b>	178.
	For 84" Wide Desk	81"	1"	1"	<b>YBRT81</b>	285.
	For 90" Wide Desk	87"	1"	1"	<b>YBRT87</b>	290.
	For 96" Wide Desk	93"	1"	1"	<b>YBRT93</b>	292.
 Starter Rails without End Caps, For Use with Antenna Tops with Two Extension Tops (pair)	For 102" Wide Table	99"	1"	1"	<b>YBRT99</b>	373.
	For 108" Wide Table	105"	1"	1"	<b>YBRT105</b>	383.
	For 114" Wide Table	111"	1"	1"	<b>YBRT111</b>	392.
 Extended Rails (pair)	For 36" Wide Desk	36"	1"	1"	<b>YBRE36</b>	84.
	For 42" Wide Desk	42"	1"	1"	<b>YBRE42</b>	105.
	For 48" Wide Desk	48"	1"	1"	<b>YBRE48</b>	152.
	For 54" Wide Desk	54"	1"	1"	<b>YBRE54</b>	155.
	For 60" Wide Desk	60"	1"	1"	<b>YBRE60</b>	159.
	For 66" Wide Desk	66"	1"	1"	<b>YBRE66</b>	162.
	For 72" Wide Desk	72"	1"	1"	<b>YBRE72</b>	168.
	For 78" Wide Desk	78"	1"	1"	<b>YBRE78</b>	274.

Desk and Table Support

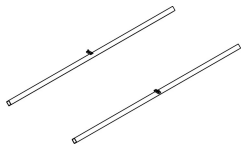
Ordering Information	Order Code	Included With	Options
<b>Rails</b> 1. Pattern Number 2. Paint Finish	<b>Rails</b> <hr/> <i>Example:</i> <b>YBRS63, 118T</b> <hr/> <b>YBR</b> Rails <hr/> <b>S</b> Starter <hr/> <b>63</b> Width <hr/> <b>118T</b> Bright White Paint	<b>Starter Rails</b> Spacers End Caps (not included with Table Desk rails)  <b>Extended Rails</b> Spacers Flat Brackets	<b>Rails</b>



# Starter and Extended Rails

## *Rail Pairs For Desks, Tables or Big Tables*

description	type	w	d	h	pattern no.	list
Extended Rails (pair)	For 84" Wide Desk	84"	1"	1"	<b>YBRE84</b>	\$277.
	For 90" Wide Desk	90"	1"	1"	<b>YBRE90</b>	282.
	For 96" Wide Desk	96"	1"	1"	<b>YBRE96</b>	287.



### Ordering Information

- Rails**  
 1. Pattern Number  
 2. Paint Finish

### Order Code

**Rails**  


---

*Example:* **YBRS63, 118T**  


---

**YBR** Rails  


---

**S** Starter  


---

**63** Width  


---

**118T** Bright White Paint

### Included With

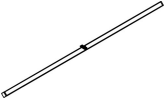
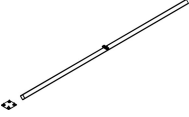
**Starter Rails**  
 Spacers  
 End Caps (not included with Table  
 Desk rails)  
**Extended Rails**  
 Spacers  
 Flat Brackets

### Options

**Rails**

# Starter and Extended Rails

## Rail Singles for Single Sided Big Tables

description	type	w	d	h	pattern no.	list
 Single Starter Rails for Single Sided Big Tables	For 48" Wide Desk	45"	1"	1"	<b>YBRBTS45</b>	\$72.
	For 54" Wide Desk	51"	1"	1"	<b>YBRBTS51</b>	95.
	For 60" Wide Desk	57"	1"	1"	<b>YBRBTS57</b>	97.
	For 66" Wide Desk	63"	1"	1"	<b>YBRBTS63</b>	98.
	For 72" Wide Desk	69"	1"	1"	<b>YBRBTS69</b>	101.
	For 78" Wide Desk	75"	1"	1"	<b>YBRBTS75</b>	104.
	For 84" Wide Desk	81"	1"	1"	<b>YBRBTS81</b>	168.
	For 90" Wide Desk	87"	1"	1"	<b>YBRBTS87</b>	170.
	For 96" Wide Desk	93"	1"	1"	<b>YBRBTS93</b>	171.
 Single Extended Rails for Single Sided Big Tables	For 48" Wide Desk	48"	1"	1"	<b>YBRBTE48</b>	89.
	For 54" Wide Desk	54"	1"	1"	<b>YBRBTE54</b>	90.
	For 60" Wide Desk	60"	1"	1"	<b>YBRBTE60</b>	92.
	For 66" Wide Desk	66"	1"	1"	<b>YBRBTE66</b>	94.
	For 72" Wide Desk	72"	1"	1"	<b>YBRBTE72</b>	96.
	For 78" Wide Desk	78"	1"	1"	<b>YBRBTE78</b>	160.
	For 84" Wide Desk	84"	1"	1"	<b>YBRBTE84</b>	161.
	For 90" Wide Desk	90"	1"	1"	<b>YBRBTE90</b>	163.
	For 96" Wide Desk	96"	1"	1"	<b>YBRBTE96</b>	165.

Desk and Table Support

Ordering Information	Order Code	Included With	Options
<b>Rails</b> 1. Pattern Number 2. Paint Finish	<b>Rails</b> <i>Example:</i> <b>YBRBTS57, 118T</b> <b>YBR</b> Rails <b>BTS</b> Single Sided Big Table <b>57</b> Width <b>118T</b> Bright White Paint	<b>Starter Rails</b> Spacers End Caps  <b>Extended Rails</b> Spacers Flat Brackets	<b>Rails</b>

# Return and Bridge Rails

## Planning Guidelines and Specification

Return rails support a top planned as a return perpendicular to another desk top. Return rail kits also support returns off of a big table with 18", 24", 27", 30" or 36"D tops. For returns connected to 18" or 24" deep big tables, specify return rails 3" wider than the return top. For returns off of 27" deep big tables, specify return rails 6" wider than the return top. For returns off of 30" or 36" deep big tables, specify return rails 9" wider than the return top.

Return rails include two rails 4 1/2" wider than a top, return adapters, one pair of end caps and spacers to support the return top where it meets the desk top.

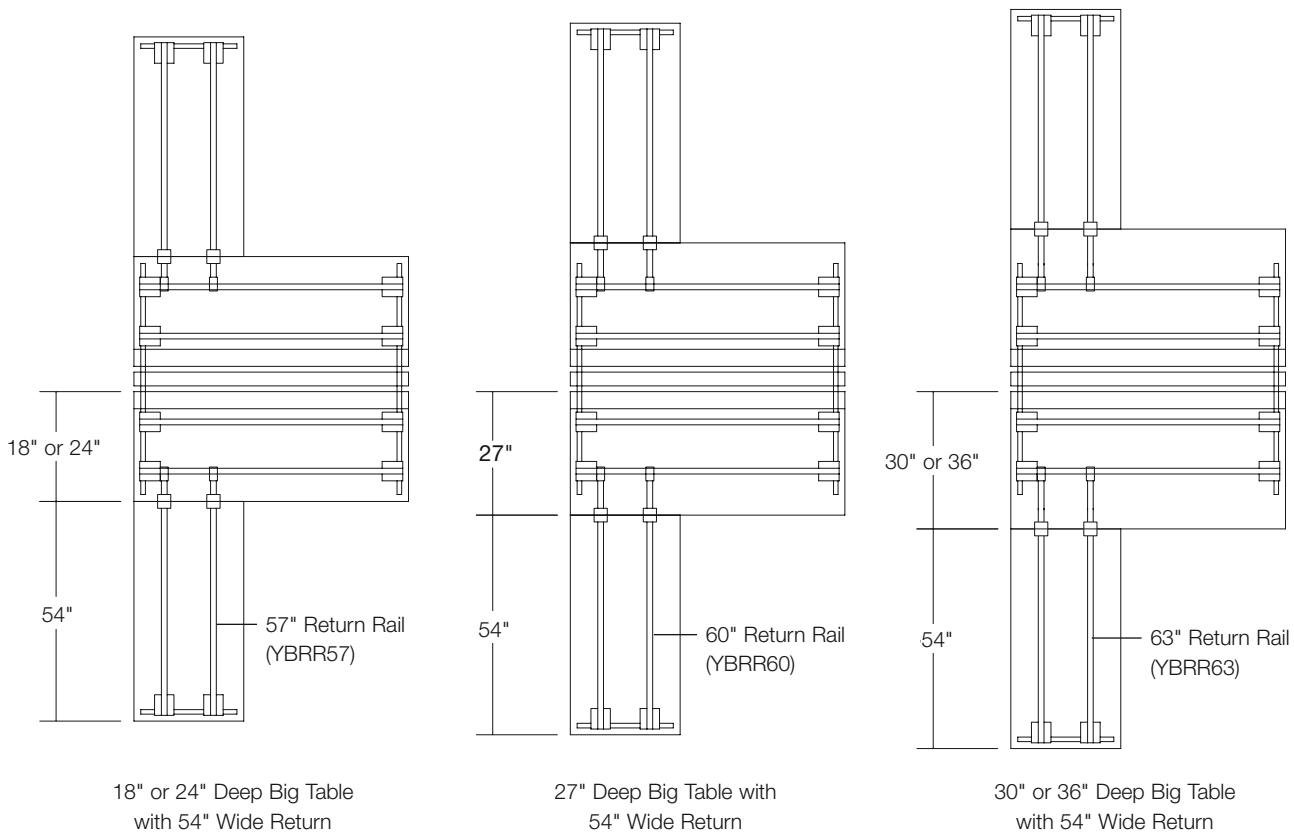
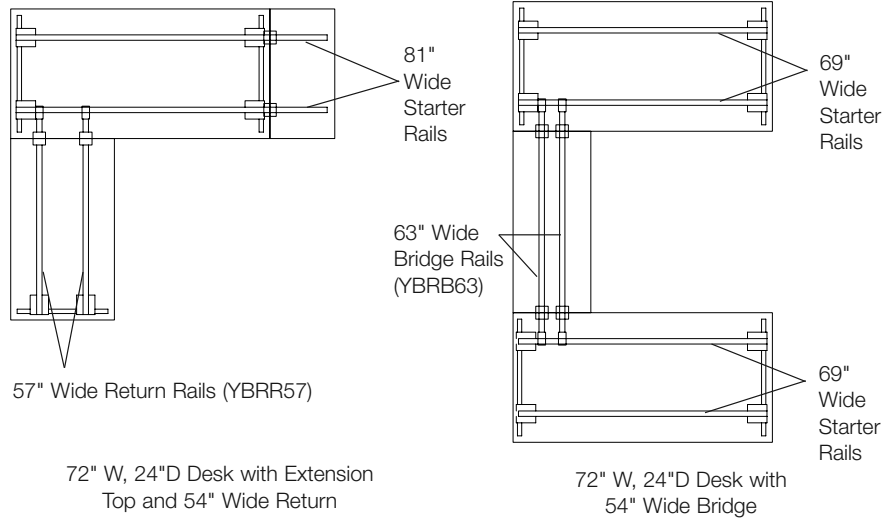
Bridge rails support a desk top planned as a bridge spanning between two desk tops. Bridge rails include two rails 9" wider than a top, two pairs of return adapters and spacers. Bridge rails can also be planned between big tables that have 18" or 24" deep tops. For bridges between big tables 27" deep, specify bridge rails 15" wider than top and for bridges between big tables 30" or 36" deep specify bridge rails 21" wider than top.

### Construction

Rails are 1 1/4" square steel tubes. End caps are die cast aluminum. Return adapters are die cast aluminum.

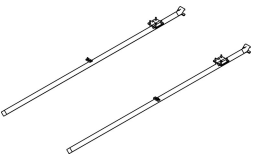
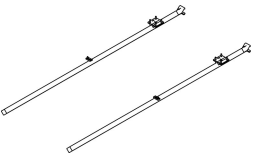
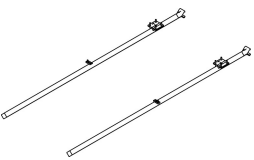
### Specification Options

Specify rails and end caps in any Knoll core, Slate Blue or Dark Red paint finish.



# Return and Bridge Rails

## Rail Pairs For Desks, Tables or Big Tables

description	type	w	d	h	pattern no.	list
 Return Rails for any Depth Desk or 24" Deep Big Tables (pair)	For 30" Wide Return	33"	1"	1"	<b>YBRR33</b>	\$156.
	For 36" Wide Return	39"	1"	1"	<b>YBRR39</b>	178.
	For 42" Wide Return	45"	1"	1"	<b>YBRR45</b>	181.
	For 48" Wide Return	51"	1"	1"	<b>YBRR51</b>	221.
	For 54" Wide Return	57"	1"	1"	<b>YBRR57</b>	226.
	For 60" Wide Return	63"	1"	1"	<b>YBRR63</b>	231.
	For 66" Wide Return	69"	1"	1"	<b>YBRR69</b>	235.
	For 72" Wide Return	75"	1"	1"	<b>YBRR75</b>	239.
	For 78" Wide Return	81"	1"	1"	<b>YBRR81</b>	345.
	For 84" Wide Return	87"	1"	1"	<b>YBRR87</b>	350.
For 90" Wide Return	93"	1"	1"	<b>YBRR93</b>	353.	
 Return Rails for Big Tables 27" Deep (pair)	For 30" Wide Return	36"	1"	1"	<b>YBRR36</b>	158.
	For 36" Wide Return	42"	1"	1"	<b>YBRR42</b>	179.
	For 42" Wide Return	48"	1"	1"	<b>YBRR48</b>	220.
	For 48" Wide Return	54"	1"	1"	<b>YBRR54</b>	223.
	For 54" Wide Return	60"	1"	1"	<b>YBRR60</b>	229.
	For 60" Wide Return	66"	1"	1"	<b>YBRR66</b>	232.
	For 66" Wide Return	72"	1"	1"	<b>YBRR72</b>	237.
	For 72" Wide Return	78"	1"	1"	<b>YBRR78</b>	342.
	For 78" Wide Return	84"	1"	1"	<b>YBRR84</b>	346.
	For 84" Wide Return	90"	1"	1"	<b>YBRR90</b>	352.
 Return Rails for Big Tables 30" Deep (pair)	For 30" Wide Return	39"	1"	1"	<b>YBRR39</b>	178.
	For 36" Wide Return	45"	1"	1"	<b>YBRR45</b>	181.
	For 42" Wide Return	51"	1"	1"	<b>YBRR51</b>	221.
	For 48" Wide Return	57"	1"	1"	<b>YBRR57</b>	226.
	For 54" Wide Return	63"	1"	1"	<b>YBRR63</b>	231.
	For 60" Wide Return	69"	1"	1"	<b>YBRR69</b>	235.
	For 66" Wide Return	75"	1"	1"	<b>YBRR75</b>	239.
	For 72" Wide Return	81"	1"	1"	<b>YBRR81</b>	345.
	For 78" Wide Return	87"	1"	1"	<b>YBRR87</b>	350.
	For 84" Wide Return	93"	1"	1"	<b>YBRR93</b>	353.

Desk and Table Support

### Ordering Information

- Rails**
1. Pattern Number
  2. Paint Finish

### Order Code

<b>Return Rails</b>	
<i>Example:</i> <b>YBRR63, 118T</b>	
<b>YBR</b>	Rails
<b>R</b>	Return
<b>63</b>	Width
<b>118T</b>	Bright White Paint

### Included With

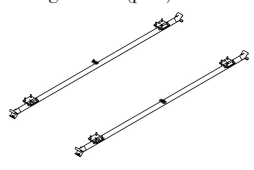
- Return Rails**
- Spacers
  - Brackets
  - End Caps
  - Flat Brackets
- Bridge Rails**
- Brackets
  - Spacers
  - Flat Brackets

### Options

- Rails**

# Return and Bridge Rails

## *Rail Pairs For Desks, Tables or Big Tables*

description	type	w	d	h	pattern no.	list
Bridge Rails (pair) 	For 30" Wide Bridge	39"	1"	1"	<b>YBRB39</b>	\$222.
	For 36" Wide Bridge	45"	1"	1"	<b>YBRB45</b>	227.
	For 42" Wide Bridge	51"	1"	1"	<b>YBRB51</b>	268.
	For 48" Wide Bridge	57"	1"	1"	<b>YBRB57</b>	271.
	For 54" Wide Bridge	63"	1"	1"	<b>YBRB63</b>	275.
	For 60" Wide Bridge	69"	1"	1"	<b>YBRB69</b>	280.
	For 66" Wide Bridge	75"	1"	1"	<b>YBRB75</b>	283.
	For 72" Wide Bridge	81"	1"	1"	<b>YBRB81</b>	391.
	For 78" Wide Bridge	87"	1"	1"	<b>YBRB87</b>	395.
	For 84" Wide Bridge	93"	1"	1"	<b>YBRB93</b>	397.

### Ordering Information

- Rails**  
 1. Pattern Number  
 2. Paint Finish

### Order Code

<b>Return Rails</b>	
<i>Example:</i> <b>YBRR63, 118T</b>	
<b>YBR</b>	Rails
<b>R</b>	Return
<b>63</b>	Width
<b>118T</b>	Bright White Paint

### Included With

- Return Rails**  
 Spacers  
 Brackets  
 End Caps  
 Flat Brackets
- Bridge Rails**  
 Brackets  
 Spacers  
 Flat Brackets

### Options

- Rails**

# Desk Connectors

## Planning Guidelines and Specifications

### Desk Connector Kits

Desks or big tables with extension tops or extension cabinets require longer rails and additional connector kits to secure and align the extensions with the adjacent tops. Above desk or big table extension cabinet bottoms and below desk or big table extension cabinet tops are detailed as visual extensions of the adjacent desk or big table, and are supported in the same way as extension tops.

For an individual desk with 15"W extension top or cabinet, specify starter rails for the next 12" longer desk top. If the leg is positioned at the end of the desk, add connector kit YBCDE.

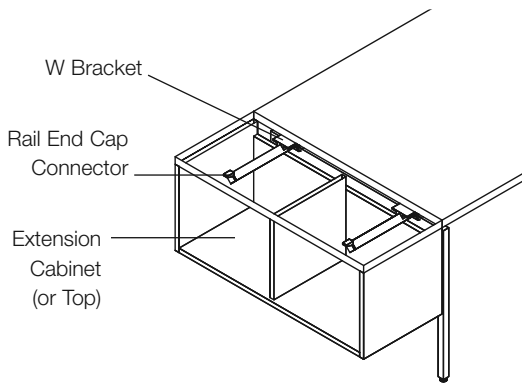
The YBCDE kit includes two W brackets that join the top to the extension over the rails, two rail end caps that connect the ends of the rails to the underside of the extension and two flat brackets that align the front and back of the desktop with the extension.

Alternatively, if the leg is positioned under the extension top or an above desk cabinet specify 12" longer rails and add connector kit YSDXUP. The YSDXUP kit includes only the two W brackets that join the top to the extension over the rails, while the desk leg cradle connects directly to the extension top or cabinet.

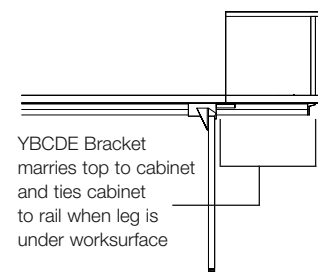
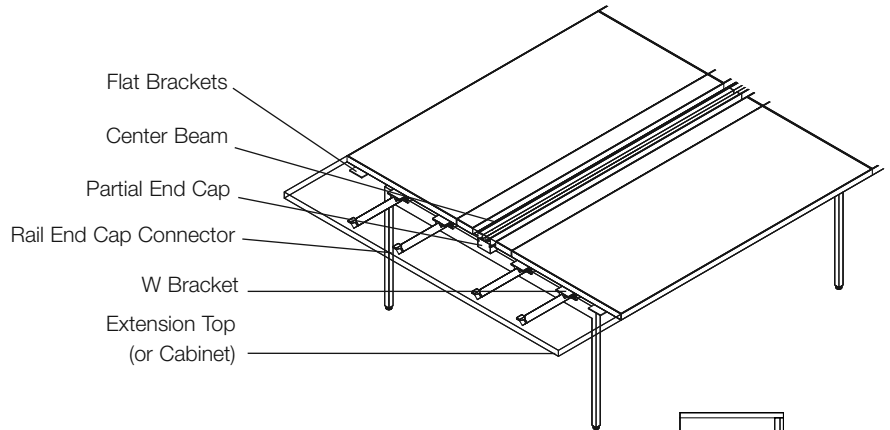
For a big table with 15"W extension top or cabinet, specify starter rails on both sides of the big table for the next 12" longer desk top and add connector kit YBTE. The YBTE kit includes four W brackets that join the top to the extension over the rails, four rail end caps that connect the ends of the rails to the underside of the extension and two flat brackets that align the front edges of the big table tops with the extension.

Big table end legs cannot be positioned under the extension top or an above big table extension cabinet because the leg must support the center beam between the big table tops.

Connector Kit (YBCDE) for Desk Extension Tops or Cabinets

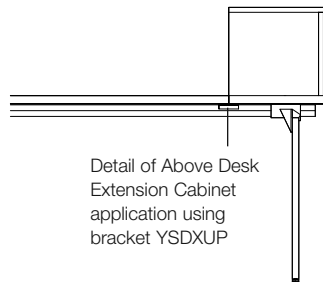


Connector Kit (YBTE) for Big Table Extension Tops or Cabinets



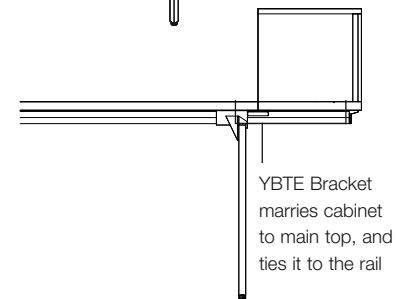
YBCDE Bracket marries top to cabinet and ties cabinet to rail when leg is under worksurface

Above Desk Extension Cabinet Elevation, Leg Under Worksurface



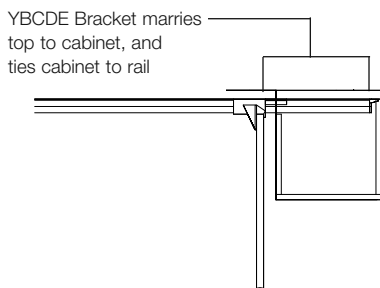
Detail of Above Desk Extension Cabinet application using bracket YSDXUP

Above Desk Extension Cabinet Elevation, Leg Under Cabinet



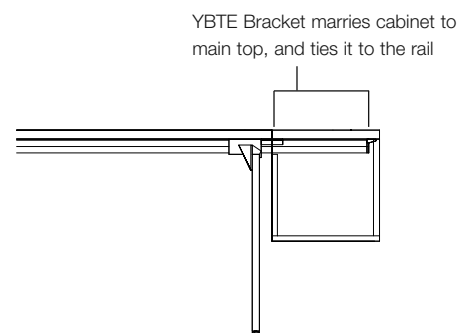
YBTE Bracket marries cabinet to main top, and ties it to the rail

Above Desk Extension Cabinet for Big Table Elevation



YBCDE Bracket marries top to cabinet, and ties cabinet to rail

Below Desk Extension Cabinet Elevation



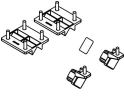
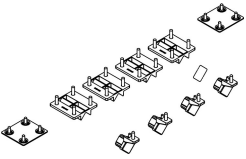
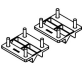
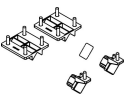
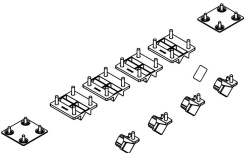
YBTE Bracket marries cabinet to main top, and ties it to the rail

Below Desk Extension Cabinet for Big Table Elevation

\*End Leg must stay under the Center Beam and can not be moved out to be placed under the extension top or cabinet

# Desk Connectors

## Connector Kit for Extension Tops and Cabinets

description	type	pattern no.	list
Connector Kit for Desk Extension Tops 	2 Brackets	<b>YBCDE</b>	\$46.
Connector Kit for Big Table Extension Tops 	4 Brackets	<b>YBTE</b>	104.
Connector Kit for Above Desk Extension Cabinets 	2 Brackets	<b>YSDXUP</b>	29.
Connector Kit for Above or Below Desk Extension Cabinets 	2 Brackets	<b>YBCDE</b>	46.
Connector Kit for Above and Below Big Table Extension Cabinets 	4 Brackets	<b>YBTE</b>	104.

Ordering Information	Order Code	Included With	Options
<b>Desk Connectors</b> 1. Pattern Number 2. Paint Finish	<b>Desk Connectors</b> <i>Example:</i> <b>YBCDE, 118T</b> <b>YBC</b> Connector Kit <b>DE</b> Desk Extension <b>118T</b> Bright White Paint	<b>Desk Connectors</b> Brackets Hardware	<b>Desk Connectors</b>

# Desk Support Adapters

## Planning Guidelines and Specifications

Antenna desks can be supported by pedestals, floorstanding wood cabinets, Template storage units and Fence by using desk support adapters. Desk support adapters connect the desk rails to the supporting component.

### Pedestal Desk Support

Pedestal support adapter (YBATE25) supports a desk on top of a 25" high pedestal or floorstanding cabinet. Pedestal support adapters mount on the left side of a right-hand position standard width pedestal. Pedestal support adapters mount on the right side of a left-hand position pedestal. Pedestal support adapters also mount on the "inside" edge of a perpendicular 25" high floorstanding wood cabinet.

### Double Wide Pedestal Desk Support

For double wide metal pedestals or 25" high floorstanding wood cabinets parallel with a desk or return, specify kit YBAW25, which includes pedestal support adapters, positioning brackets and rail end connectors.

### Pedestal Positioning Brackets

Positioning brackets (YSFA) stabilize and maintain position of floorstanding 25" high pedestals under desk or big table rails when the pedestal is not integrated into the desk structure. Positioning brackets enable floorstanding pedestals to mount adjacent to end legs or other floorstanding pedestals that are connected to the desk with YBATE25 brackets. They are also applicable under bridge tops or tops supported by Fence or Template storage. Positioning brackets fasten with

screws into the holes in the top of the pedestal corresponding to desk support rails, or they may be adhered in position under the rails of a big table (adhesive not included in kit).

Ballast kits are still recommended for most floorstanding pedestal and double wide pedestal applications, but positioning brackets may make ballast unnecessary for pedestals in multiple-position big tables.

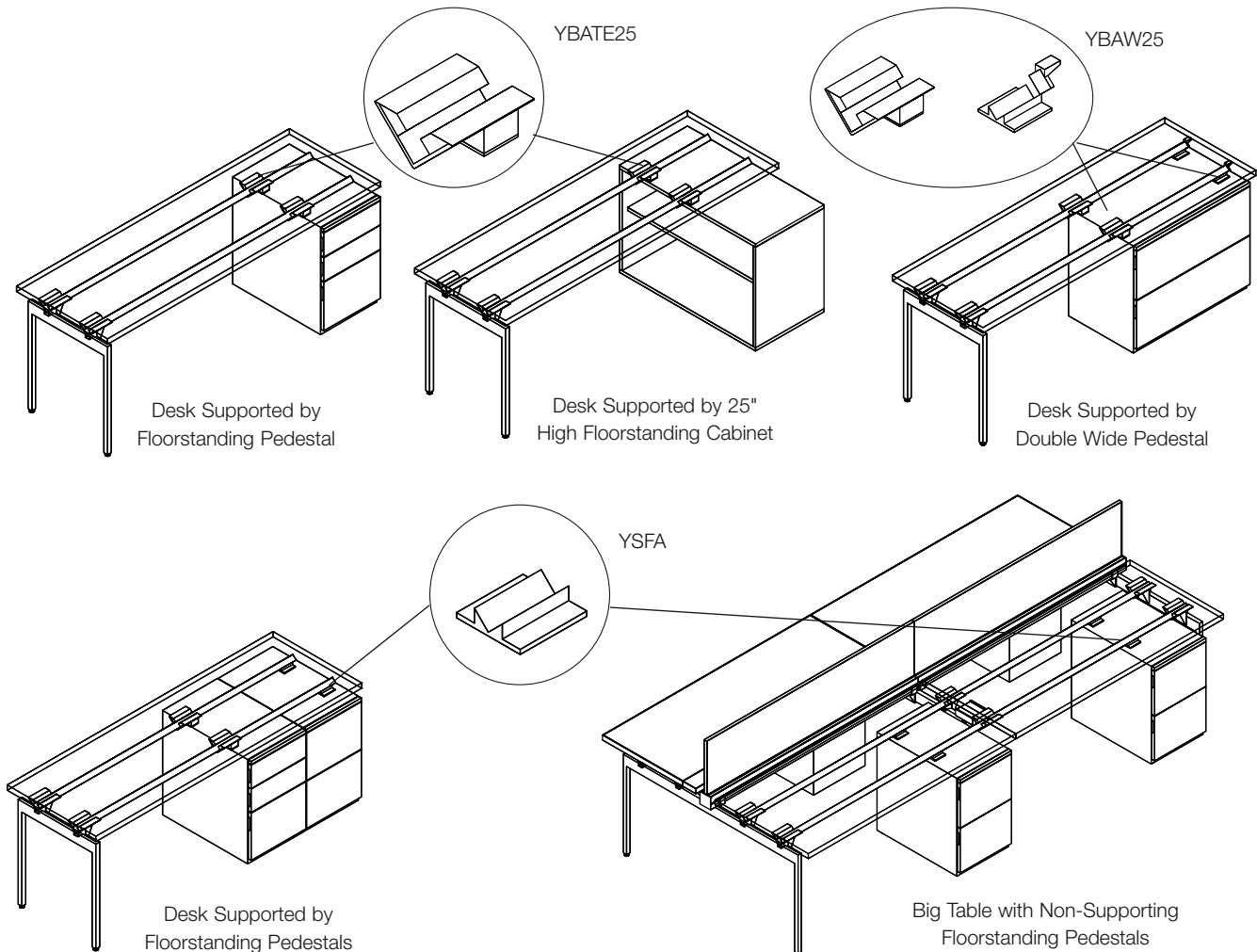
### Construction

Desk support adapters consist of painted, die cast aluminum cradles and brackets.

### Specification Options

Specify desk support adapters in any Knoll Core paint finish.

Desk and Table Support





# Desk Support Adapters

## Planning Guidelines and Specifications

### Fence Desk Support

Fence desk support adapters are available for both 25" high (YBAFE25) and 28" high (YBAFE28) Fence applications when Antenna tops are mounted perpendicular to the fence wall.

### Template Desk Support

Template desk support adapters connect the end of Antenna desk rails to Template tops or worksurface shelves.

When supported by a 22" high Template cabinet or floorstanding wood cabinet, YBATE22 connects the front edge of the top to standard starter rails that are 3" less wide than the top.

When supported by a 25" high Template cabinet or floorstanding wood cabinet, YBATE25 connects the front edge of the top to standard starter rails 3" less wide than the top.

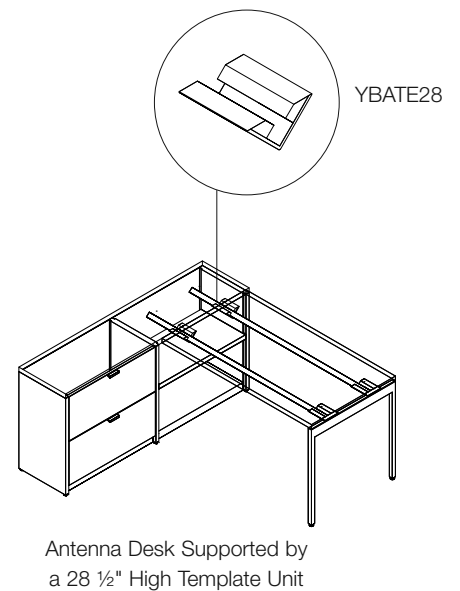
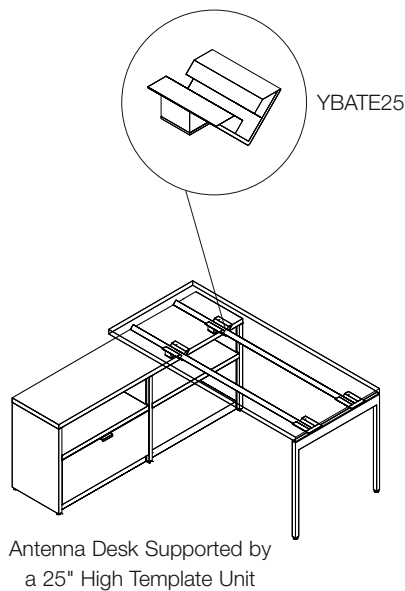
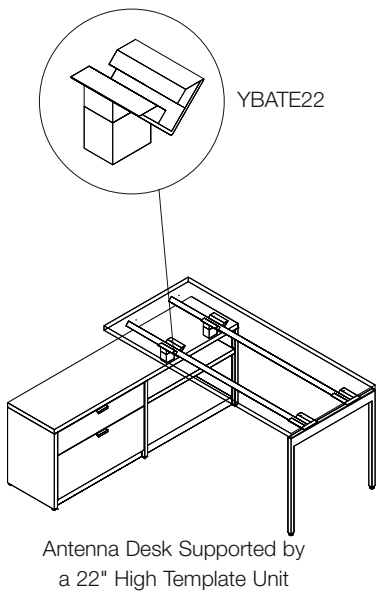
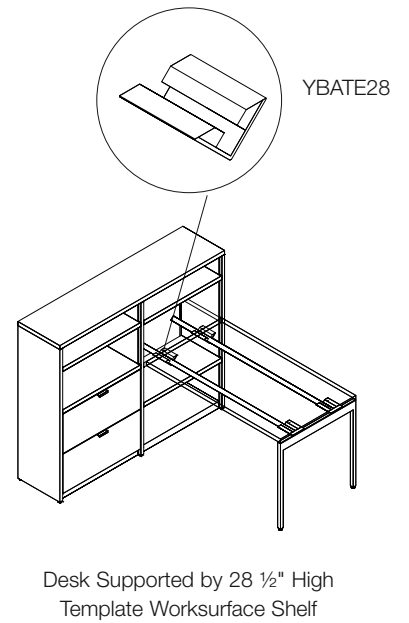
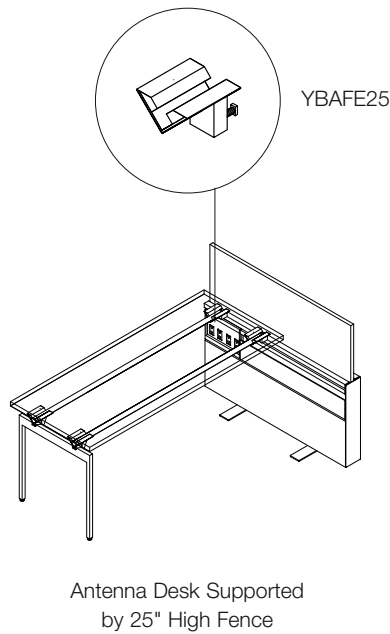
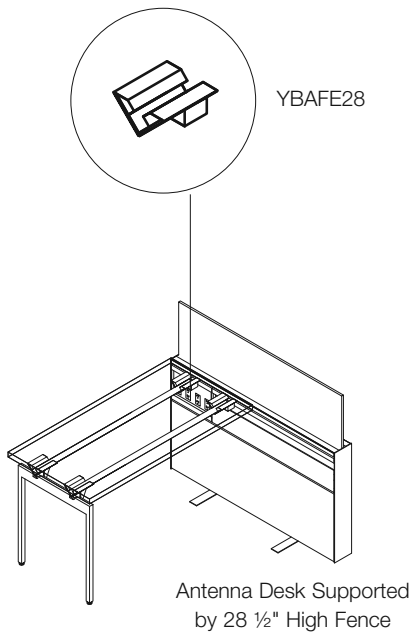
When supported by an adjacent 28" high Template cabinet, floorstanding open wood cabinet or the worksurface shelf of taller Template units, YBATE28 connects the underside of the top or shelf to starter rails 9" longer than the desktop (starter rails for a 12" longer desk).

### Construction

Desk support adapters consist of painted die cast aluminum cradles and brackets.

### Specification Options

Specify desk support adapters in any Knoll Core paint finish.



# Desk Support Adapters

## Planning Guidelines and Specifications

### Template Big Table Support

Template desk support adapters for big table enable 22" or 25" high Template storage cabinets to support the end of a big table in place of an end leg. Template assembly must be at least 48" wide, centered under the end of the big table and equipped with laminate or veneer top. Template desk support adapters are not applicable in the center of a big table to take the place of an intermediate leg. Template/Anchor big table support adaptor work with 24" - 30"D big table tops.

Template desks support adapters for big table and 22" high Template include a steel tube, which matches the top cross member of an end leg, with standard cradles supporting the rails and brackets supporting the center beam. Steel tube is secured to the top of Template storage with steel plates and wood screws.

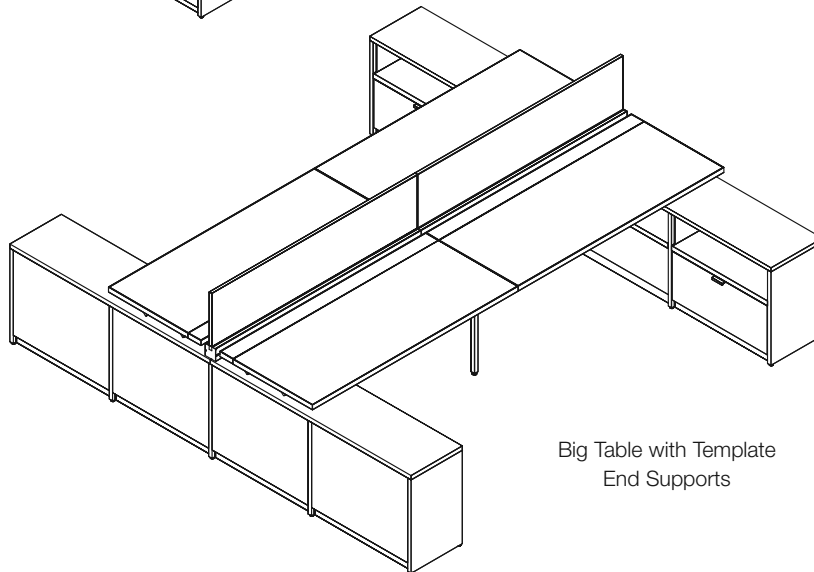
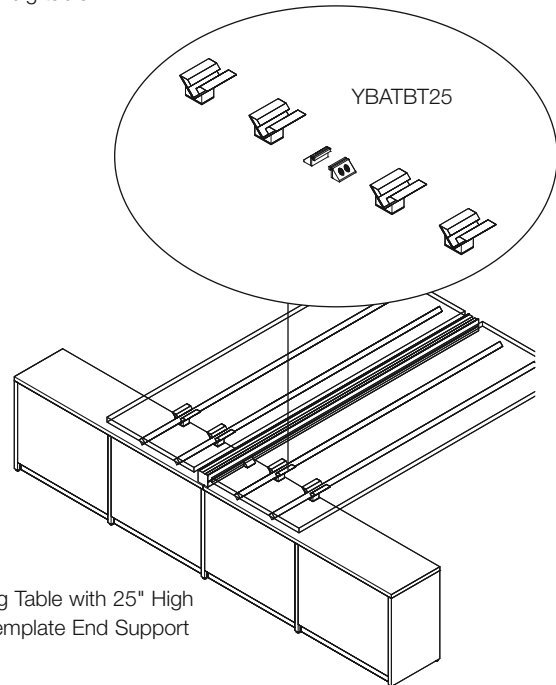
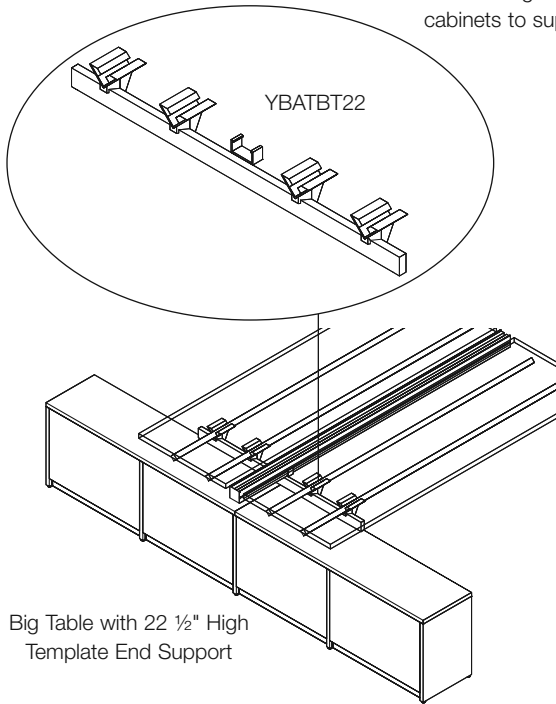
Template desk support adapters for big table and 25" high Template include a cast aluminum bracket on either side of the center beam and standard YBATE25 cradles securing the rails to the Template top. Desk support adapters may also be used with 25" high Antenna floorstanding wood cabinets to support the end of a big table.

### Construction

Desk support adapters consist of painted die cast aluminum cradles and brackets and steel cross member.

### Specification Options

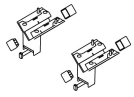
Specify desk support adapters in any Knoll Core paint finish.



# Desk Support Adapters

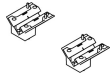
## For Fence, Template, Floorstanding Cabinets and Pedestals

description	type	w	d	h	pattern no.	list
Fence Desk Support Adapters (pair)	For use with 25" High Fence	4"	3"	1 3/4"	<b>YBAFE25</b>	\$115.
	For use with 28 1/2" High Fence	4"	3"	3"	<b>YBAFE28</b>	115.



(YBAFE25 shown)

Template or Antenna Floorstanding Cabinet Desk Support Adapters (pair)	For use with 28 1/2" High Case or Worksurface Shelf	4"	3"	1 3/4"	<b>YBATE28</b>	110.
	For use with 25" High Case	4"	3"	3"	<b>YBATE25</b>	97.
	For use with 22 1/2" High Case (credenza height)	4"	3"	5 1/2"	<b>YBATE22</b>	120.



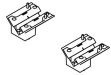
(YBATE25 shown)

Template or Antenna Floorstanding Cabinet Desk Support Adapters for Big Table	For use with 22 1/2" High Case (credenza height)				<b>YBATBT22</b>	574.
	For use with 25" High Case				<b>YBATBT25</b>	222.



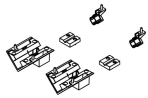
(YBATBT25 shown)

Pedestal Desk Support Adapters (pair)	For use with Floorstanding 25" High Pedestal	4"	3"	3"	<b>YBATE25</b>	97.
---------------------------------------	--	----	----	----	----------------	-----

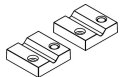


(YBATE25 shown)

Double Wide Pedestal Desk Support Adapters (pair)	For use with Double Wide Pedestal	4"	3"	3"	<b>YBAW25</b>	126.
---	-----------------------------------	----	----	----	---------------	------



Pedestal Positioning Brackets	Includes 2 brackets and hardware				<b>YSFA</b>	16.
-------------------------------	----------------------------------	--	--	--	-------------	-----



### Ordering Information

#### Desk Support Adaptors

1. Pattern Number
2. Paint Finish

### Order Code

#### Desk Support Adaptors

*Example:* **YBAFE25, 118T**

**YBA** Adapter

**FE** Fence

**25** Height

**118T** Bright White Paint

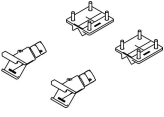
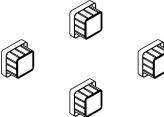
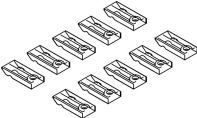

### Included With

Desk Support Adaptors  
Hardware

### Options

Desk Support Adaptors

## Connectors, End Caps, Worksurface Spacers and Flat Brackets

description	type	w	d	h	pattern no.	list
 Return or Bridge Rail Connector Kit (pair)	For Return or Bridge Connection	2"	1 1/4"	1 1/4"	<b>YBCRR</b>	\$64.
 Rail End Caps (Set of 4)	For End of Rails	1"	1/2"	1"	<b>YBRE</b>	29.
 Rail to Worksurface Spacers	Package of 10	1 3/4"	1/2"	1/4"	<b>YBCWS</b>	17.
 Flat Brackets Kit (pair)	For use with Adjacent Desks linking End-to-End or Back-to-Back	3"	2 3/4"	1/4"	<b>YBF</b>	13.

Desk and Table Support

Ordering Information	Order Code	Included With	Options
<b>Components for Reconfiguration</b> 1. Pattern Number 2. Paint Finish	<b>Components for Reconfiguration</b> <i>Example:</i> <b>YBCRR, 118T</b> <b>YBC</b> Connector <b>RR</b> Rail to Return Rails <b>118T</b> Bright White Paint	<b>Components for Reconfiguration</b> Hardware	<b>Components for Reconfiguration</b>

# Center Beam for Big Tables

## Planning Guidelines and Specifications

Center beam for big table is an extruded aluminum beam shared between facing tops of a dual big table.

Center beam incorporates a continuous channel on the top for friction fit privacy screens or stanchion mounted storage, a channel on each side for cantilever shelves or monitor arms, and a channel on the bottom for suspended power and data components. Center beams are supported by end legs or intermediate legs, which also define a 1 1/4" accessory mount and wire drop space on either side of the beam.

Center beams are available in 6" increments from 36"-96" wide and correspond to big table top widths.

Center beams drilled for T-light cable have a hole drilled 12" from one end to allow the power cable to pass through the beam to the underside of the table.

Center beam top caps fill the top channel slot of a center beam when no screens are planned. When upmounted storage, screens or KnollExtra T-lights are mounted to the center beam, top caps can be trimmed in the field to fit around brackets. A full end cap is used to cover the exposed end of the center beam. A partial end cap is used to cover the lower end of the center beam when an extension top or cabinet is specified at the end of a big table. Center beam top caps and end caps are specified separately.

Dual and single sided big tables with 36" deep tops that are 54" or wider need a mid span support leg to provide center beam support.

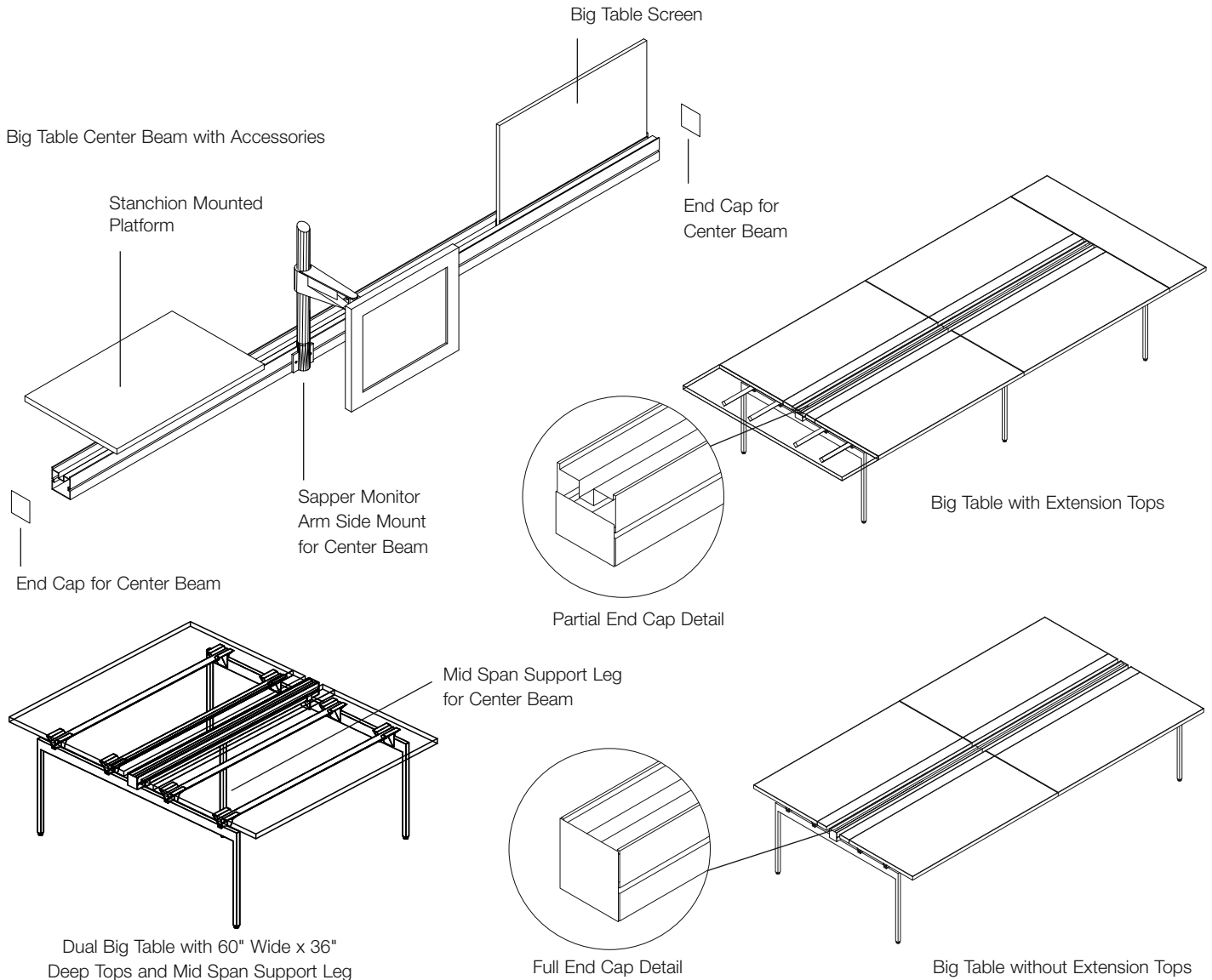
Mounting brackets and stanchions for storage, cantilever shelves and flat screen monitor arms must be specified separately.

### Construction

Center beam is an aluminum extrusion 3 1/4" high and 3" deep. Top caps are extruded plastic. End caps are cast aluminum.

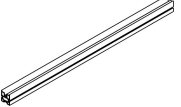
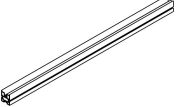
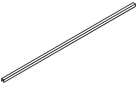
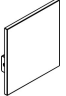
### Specifications Options

Center beams, end caps and top covers are available in any Knoll core, Dark Red or Slate Blue paint finish and must be specified separately.



# Center Beam for Big Tables

## Center Beam, End Caps and Top Caps

description	type	w	d	h	pattern no.	list
Center Beam (no drilling for T-light cable) 	For 36" Wide Big Table Top	36"	3"	3 1/4"	<b>YCB36</b>	\$252.
	For 42" Wide Big Table Top	42"	3"	3 1/4"	<b>YCB42</b>	252.
	For 48" Wide Big Table Top	48"	3"	3 1/4"	<b>YCB48</b>	252.
	For 54" Wide Big Table Top	54"	3"	3 1/4"	<b>YCB54</b>	373.
	For 60" Wide Big Table Top	60"	3"	3 1/4"	<b>YCB60</b>	373.
	For 66" Wide Big Table Top	66"	3"	3 1/4"	<b>YCB66</b>	373.
	For 72" Wide Big Table Top	72"	3"	3 1/4"	<b>YCB72</b>	373.
	For 78" Wide Big Table Top	78"	3"	3 1/4"	<b>YCB78</b>	734.
	For 84" Wide Big Table Top	84"	3"	3 1/4"	<b>YCB84</b>	734.
	For 90" Wide Big Table Top	90"	3"	3 1/4"	<b>YCB90</b>	803.
For 96" Wide Big Table Top	96"	3"	3 1/4"	<b>YCB96</b>	803.	
Center Beam (Drilled for T-light cable) 	For 36" Wide Big Table Top	36"	3"	3 1/4"	<b>YCBT36</b>	283.
	For 42" Wide Big Table Top	42"	3"	3 1/4"	<b>YCBT42</b>	283.
	For 48" Wide Big Table Top	48"	3"	3 1/4"	<b>YCBT48</b>	283.
	For 54" Wide Big Table Top	54"	3"	3 1/4"	<b>YCBT54</b>	404.
	For 60" Wide Big Table Top	60"	3"	3 1/4"	<b>YCBT60</b>	404.
	For 66" Wide Big Table Top	66"	3"	3 1/4"	<b>YCBT66</b>	404.
	For 72" Wide Big Table Top	72"	3"	3 1/4"	<b>YCBT72</b>	404.
	For 78" Wide Big Table Top	78"	3"	3 1/4"	<b>YCBT78</b>	765.
	For 84" Wide Big Table Top	84"	3"	3 1/4"	<b>YCBT84</b>	765.
	For 90" Wide Big Table Top	90"	3"	3 1/4"	<b>YCBT90</b>	833.
For 96" Wide Big Table Top	96"	3"	3 1/4"	<b>YCBT96</b>	833.	
Center Beam Top Caps 	For 48" Wide Center Beam	48"	3"	3 1/4"	<b>YCBCC48</b>	51.
	For 54" Wide Center Beam	54"	3"	3 1/4"	<b>YCBCC54</b>	58.
	For 60" Wide Center Beam	60"	3"	3 1/4"	<b>YCBCC60</b>	64.
	For 66" Wide Center Beam	66"	3"	3 1/4"	<b>YCBCC66</b>	69.
	For 72" Wide Center Beam	72"	3"	3 1/4"	<b>YCBCC72</b>	74.
	For 78" Wide Center Beam	78"	3"	3 1/4"	<b>YCBCC78</b>	81.
	For 84" Wide Center Beam	84"	3"	3 1/4"	<b>YCBCC84</b>	86.
Center Beam End Caps (Full Height Shown) 	Full Height	3"	3/8"	3 1/4"	<b>YCBE</b>	13.
	Partial Height For Use With Extension Top or Cabinets	3"	3/8"	2"	<b>YCBPE</b>	13.

Desk and Table Support

Ordering Information	Order Code	Included With	Options
<b>Center Beam</b> 1. Pattern Number 2. Paint Finish	<b>Center Beam</b> <i>Example: YCB60, 118T</i> <b>YCB</b> Center Beam	Center Beam	Center Beam
<b>End Caps</b> 1. Pattern Number 2. Paint Finish	<b>60</b> Width <b>118T</b> Bright White Paint <b>End Caps</b>		
<b>Center Beam Top Caps</b> 1. Pattern Number 2. Paint Finish	<i>Example: YCBPE, 118T</i> <b>YCB</b> Center Beam <b>PE</b> Partial End <b>118T</b> Bright White Paint		

# Sapper Monitor Arm for Antenna Center beam

## Planning Guidelines and Specifications

### Sapper Monitor Arm Side and Center Mount for Antenna Center Beam

Sapper arm mounts for Antenna enable masts from the Sapper Monitor Arm Collection to mount on the side or top of the Antenna Big Table center beam. These mounts can convert Sapper masts from other mounting applications, such as two-piece desk clamps, for use at the center of the big table.

Antenna Workspaces was designed to provide a "wire drop" in most desk and big table applications, in which Sapper Monitor Arms can be mounted. For desk-based planning or

big tables without hinged tops, Sapper Monitor Arm masts can be attached to the back or end of a top with the standard two-piece clamp base. For hinged tops in Big Table applications, however, masts must be mounted on the center beam, and can be ordered as a complete kit in the KnollExtra Sapper Monitor Arm Collection with those mounting options.

The center beam side mount supports a mast on the side edge of the center beam, enabling independent positioning of one or more monitors and room for a center screen behind and a hinged access door or standard wire drop in front.

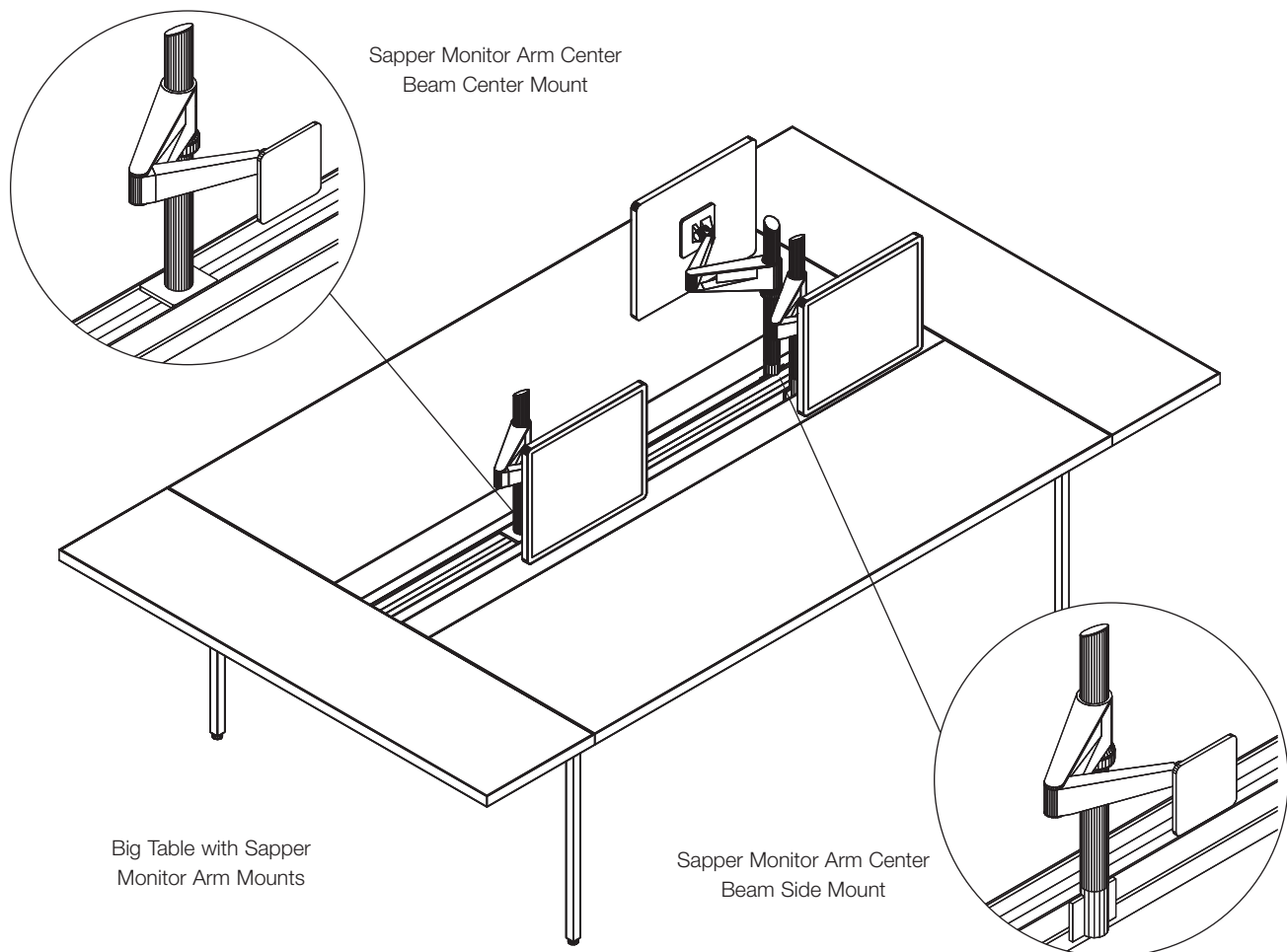
The center beam center mount supports a mast in the center top channel of the center beam, enabling shared use of the mast for monitor arms on both sides of the center beam. Center mount bracket occupies 4" of center beam in which screens or stanchions cannot be installed

### Construction

The Sapper mounts are cast aluminum and extruded aluminum. The Sapper center beam center mount is a painted steel plate.

### Specification Options

The Sapper mounts are available in any Knoll core paint finish, Dark Red or Slate Blue.



### Keyboard Tray Mounting Kit

The keyboard tray mounting kit enables any KnollExtra keyboard support with sliding track to attach to the underside of an Antenna Workspaces desk, table or big table. The mounting kit suspends the sliding track from the desktop to directly below the rails, with full keyboard adjustability and retractability.

Keyboard tray must be specified with a sliding track that is less than the depth of the top and anything below the top, such as a power harness or cable basket. For example under a 24" deep desk with a power harness the

track should be no deeper than 18", and the keyboard may be restricted in where it can rotate when retracted. Under a 30" deep big table top with centered power, the track should be no deeper than 26" to clear access to power and cable baskets. Under a table/desk without cable trays or power any keyboard support with track less deep than the top should fit.

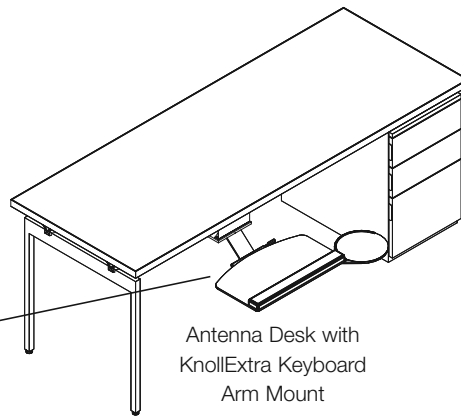
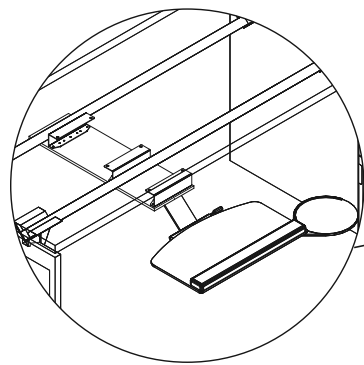
The keyboard tray mounting kit includes three black steel brackets that attach just below the front edge of the top and between the rails supporting the top.

### CPU Mounting Kit

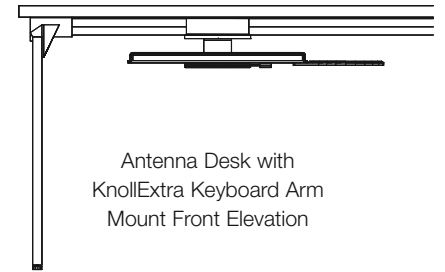
The CPU mounting kit enables most KnollExtra CPU frames to be mounted to the underside of Antenna desks or big tables. The mounting kit includes brackets that suspend the sliding track from the desktop to directly below the rails, enabling full CPU holder rotation and retractability. The mounting kit includes two black steel brackets that attach in front of and between the two steel rails in desk-based or big table planning. Any KnollExtra CPU can be mounted under a top deeper than the mounting track.

### Construction

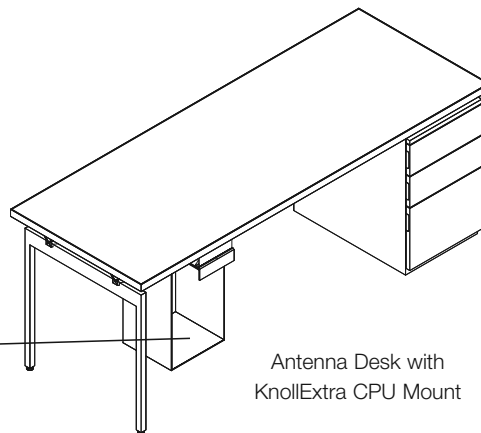
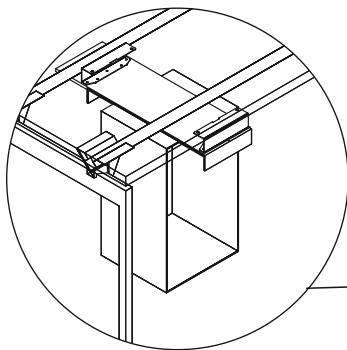
CPU and keyboard support mount kits are formed steel, painted black.



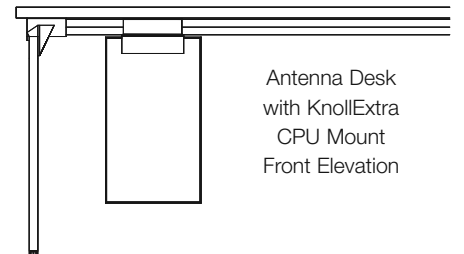
Antenna Desk with  
KnollExtra Keyboard  
Arm Mount



Antenna Desk with  
KnollExtra Keyboard Arm  
Mount Front Elevation



Antenna Desk with  
KnollExtra CPU Mount

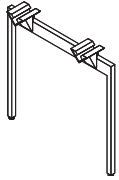


Antenna Desk  
with KnollExtra  
CPU Mount  
Front Elevation

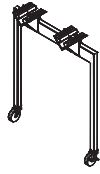




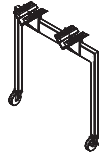
**Desk End Legs**



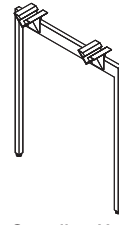
**Desk Height End Leg**  
Leg with Top: 28-1/2" High  
Leg: 27" High



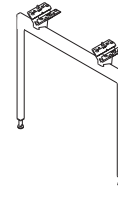
**Desk Height End Leg with Casters**  
Leg with Top: 28-1/2" High  
Leg: 27" High



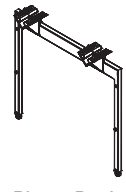
**Low Height End Leg with Casters**  
Leg with Top: 25" High  
Leg: 23-1/2" High



**Standing Height End Leg**  
Leg with Top: 36-1/2" High  
Leg: 35" High

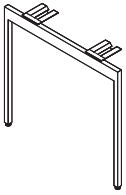


**Adjustable Height End Leg**  
Leg with Top: 27" - 30" High  
Leg: 25-1/2" - 28-1/2" High

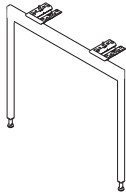


**Pinset Desk End Leg**  
Leg with Top: 27-1/2" - 36-1/2" High  
Leg: 26" - 35" High

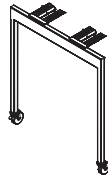
**Table Desk End Legs**



**Desk Height Table Desk End Leg**  
Leg with Top: 28-1/2" High  
Leg: 27" High

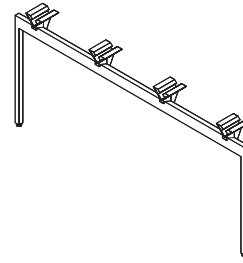


**Adjustable Height Table Desk End Leg**  
Leg with Top: 27" - 30" High  
Leg: 25-1/2" - 28-1/2" High

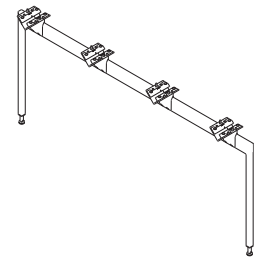


**Desk Height Table Desk End Leg with Casters**  
Leg with Top: 28-1/2" High  
Leg: 27" High

**Back to Back End Legs**

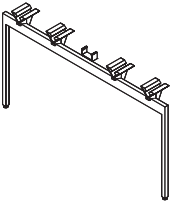


**Desk Height Back to Back Desk End Leg**  
Leg with Top: 28-1/2" High  
Leg: 27" High

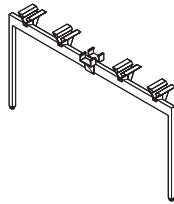


**Adjustable Height Back to Back Desk End Leg**  
Leg with Top: 27" - 30" High  
Leg: 25-1/2" - 28-1/2" High

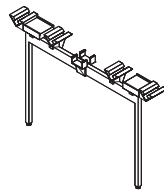
**Dual Big Table Legs**



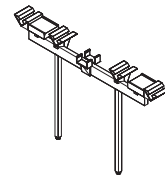
**Desk Height End Leg**  
Leg with Top: 28-1/2" High  
Leg: 27" High



**Desk Height Intermediate Leg**  
Leg with Top: 28-1/2" High  
Leg: 27" High



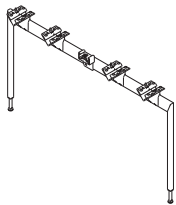
**Desk Height Inset Intermediate Leg**  
Leg with Top: 28-1/2" High  
Leg: 27" High



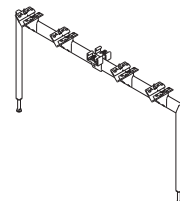
**Desk Height 120 Degree Intermediate Leg**  
Leg with Top: 28-1/2" High  
Leg: 27" High



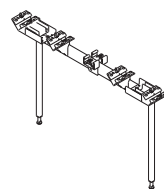
**Desk Height Mid Span Support Leg**  
Leg with Top: 28-1/2" High  
Leg: 27" High



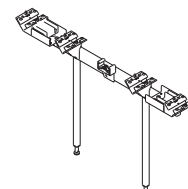
**Adjustable Height End Leg**  
Leg with Top: 27" - 30" High  
Leg: 25-1/2" - 28-1/2" High



**Adjustable Height Intermediate Leg**  
Leg with Top: 27" - 30" High  
Leg: 25-1/2" - 28-1/2" High



**Adjustable Height Inset Intermediate Leg**  
Leg with Top: 27" - 30" High  
Leg: 25-1/2" - 28-1/2" High



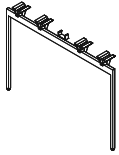
**Adjustable Height 120 Degree Intermediate Leg**  
Leg with Top: 27" - 30" High  
Leg: 25-1/2" - 28-1/2" High



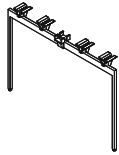
**Adjustable Height Mid Span Support Leg**  
Leg with Top: 27" - 30" High  
Leg: 25-1/2" - 28-1/2" High

Desk and Table Support

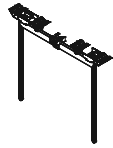
36" Standing Height Dual Big Table Legs



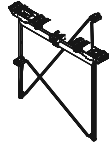
**36" Standing Height End Leg**  
 Leg with Top: 36 1/2"  
 Leg with Cradles: 35"  
 Leg Weldmount: 33"



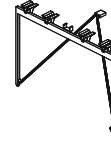
**36" Standing Height Intermediate Leg**



**36" Standing Height Inset Intermediate Leg**  
 (24"/27"/30" dual only)

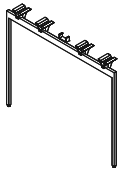


**36" Standing Height Intermediate Leg Brace**  
 (shown with Inset Intermediate Leg)

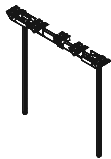


**36" Standing Height End Leg Support Brace**  
 (shown with Two Position End Leg)

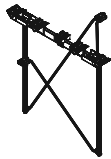
42" Standing Height Dual Big Table Legs



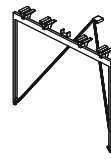
**42" Standing Height End Leg**  
 Leg with Top: 42 1/2"  
 Leg with Cradles: 41"  
 Leg Weldmount: 39"



**42" Standing Height Inset Intermediate Leg**  
 (24"/27"/30" dual only)

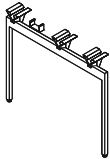


**42" Standing Height Inset Intermediate Leg Brace**  
 (shown with Inset Intermediate Leg)

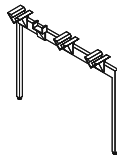


**42" Standing Height End Leg Support Brace**  
 (shown with Two Position End Leg)

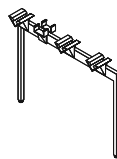
Single Sided Big Table Legs



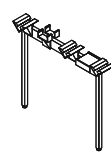
**Desk Height Left End Leg**  
 Leg with Top: 28-1/2" High  
 Leg: 27" High



**Desk Height Right End Leg**  
 Leg with Top: 28-1/2" High  
 Leg: 27" High



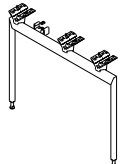
**Desk Height Inset Intermediate Leg**  
 Leg with Top: 28-1/2" High  
 Leg: 27" High



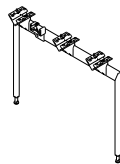
**Desk Height Inset Intermediate Leg**  
 Leg with Top: 28-1/2" High  
 Leg: 27" High



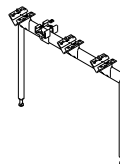
**Desk Height Mid Span Support Leg**  
 Leg with Top: 28-1/2" High  
 Leg: 27" High



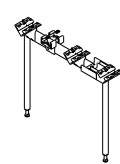
**Adjustable Height Left End Leg**  
 Leg with Top: 27" - 30" High  
 Leg: 25-1/2 - 28-1/2" High



**Adjustable Height Right End Leg**  
 Leg with Top: 27" - 30" High  
 Leg: 25-1/2 - 28-1/2" High



**Adjustable Height Inset Intermediate Leg**  
 Leg with Top: 27" - 30" High  
 Leg: 25-1/2 - 28-1/2" High

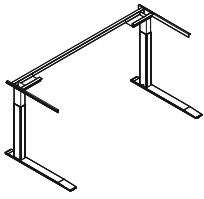


**Adjustable Height Inset Intermediate Leg**  
 Leg with Top: 27" - 30" High  
 Leg: 25-1/2 - 28-1/2" High

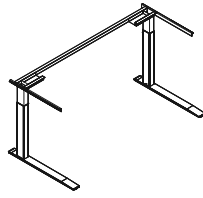


**Adjustable Height Mid Span Support Leg**  
 Leg with Top: 27" - 30" High  
 Leg: 25-1/2 - 28-1/2" High

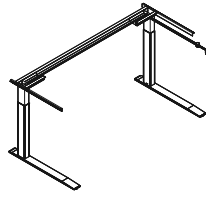
C-Leg Bases



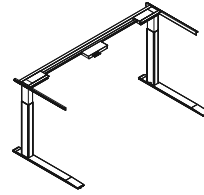
**Fixed**  
Base with Top:  
28-1/2" High  
Base: 27" High



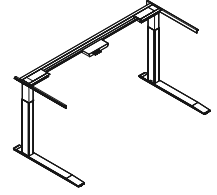
**Pin-Set**  
Base with Top: 23-1/2" -  
36-1/2" High  
Base: 22" - 35 High



**Handcrank**  
Base with Top: 23-1/2" -  
36-1/2" High  
Base: 22" - 35 High

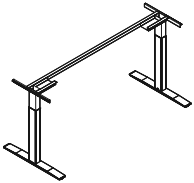


**Electric**  
Base with Top: 28-1/2" -  
48" High  
Base: 27" - 46-1/2" High

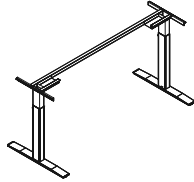


**Advanced Electric**  
Base with Top: 22-1/2" -  
49" High  
Base: 21" - 47-1/2" High

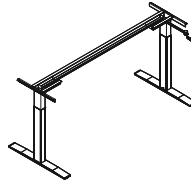
T-Leg Bases



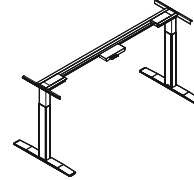
**Fixed**  
Base with Top:  
28-1/2" High  
Base: 27" High



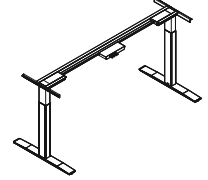
**Pin-Set**  
Base with Top: 23-1/2" -  
36-1/2" High  
Base: 22" - 35 High



**Handcrank**  
Base with Top: 23-1/2" -  
36-1/2" High  
Base: 22" - 35 High



**Electric**  
Base with Top: 28-1/2" -  
48" High  
Base: 27" - 46-1/2" High



**Advanced Electric**  
Base with Top: 22-1/2" -  
49" High  
Base: 21" - 47-1/2" High

# Legs for Desks or Returns

## Planning Guidelines and Specifications

Desk height end legs are inverted U-shaped supports. End legs for desks are 3" less than corresponding desk top depth, inset 1 1/2" from front and back desk top edge.

Desk height end legs support a worksurface height of 28 1/2". Adjustable height desk end legs are also available for applications needing more than the 1 1/2" height adjustability provided by desk height end leg levelers. Adjustable height desk end legs support a worksurface height ranging from 27" - 30". Standing height end legs support a 36 1/2" high worksurface. Pinset end legs support a worksurface height ranging from 27-1/2" - 36-1/2".

Desk end legs are also available with casters (one locking, one non-locking). Desk height end legs with casters support a worksurface height of 28-1/2". Low desk height end legs with casters support a worksurface height of 24-1/2". When casters are required, the entire leg assembly with casters must be specified.

End legs include two cradles and two levelers. Cradles are V-shaped connectors with clamps that secure the rails at a diagonal over the leg and fasten the legs and rails to the top. Legs for 18" deep tops are for return applications only.

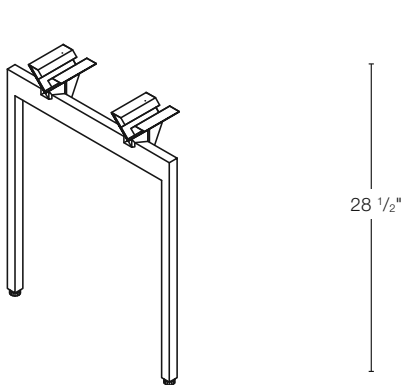
### Construction

Desk end legs are 25" high steel weldments with 1" square legs and a 2 1/2" horizontal rail. Desk end legs include 2 1/2" levelers with 3/8" stems and continuous 1 1/2" adjustment range. Weldments for desk end legs with casters are 22" high. Low desk end leg weldments are 19" high. Adjustable desk end leg weldments are 23" high including 5" levelers with 5/8" stems and 3" continuous adjustment range. Standing height desk end leg weldments are 33" high including levelers with 1 1/2" height range. Pinset end leg weldments are 23" - 31" high including pinset adjustment of 9".

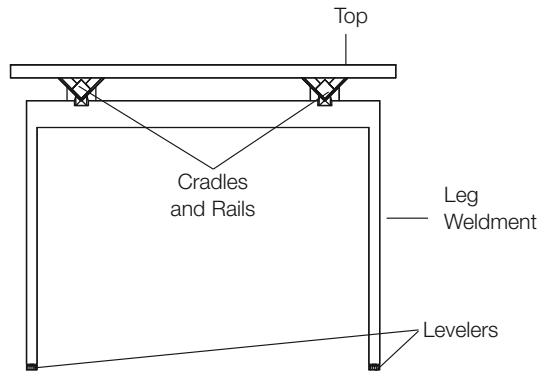
Cradles and clamps are cast aluminum with countersunk fasteners into legs, mating parts and top.

### Specification Options

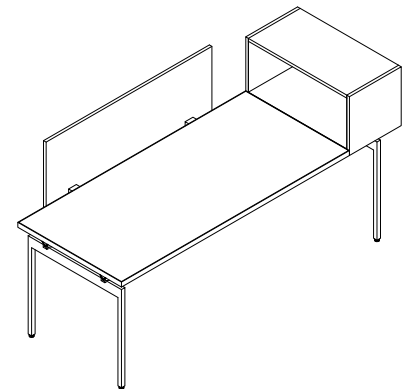
End legs are available in any Knoll core, Dark Red or Slate Blue paint finish. Specify cradle finish separately in any Knoll core, Dark Red or Slate Blue paint finish.



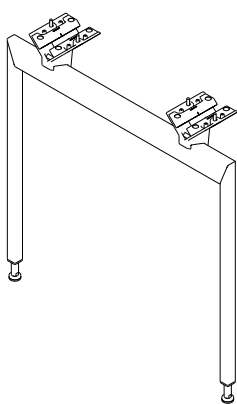
Desk Height End Leg



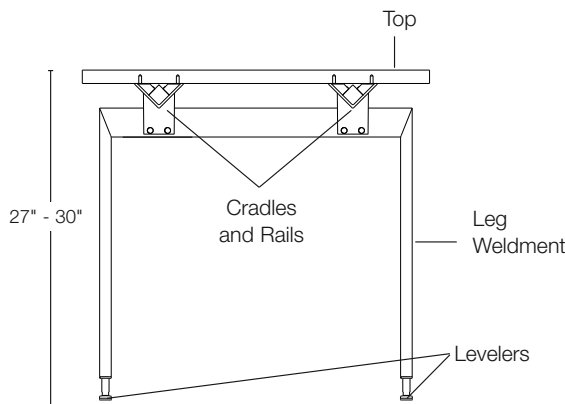
Desk Height End Leg End Elevation



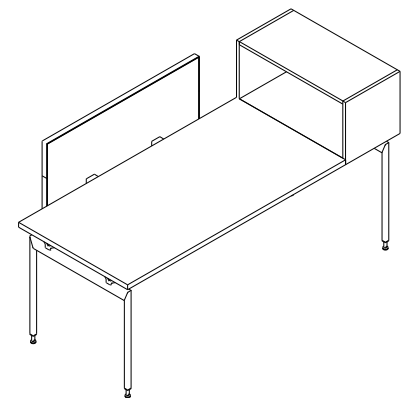
Desk with Desk Height End Legs, Above Desk Extension Cabinet and Screen



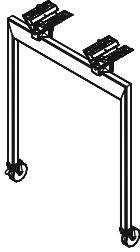
Adjustable Height End Leg



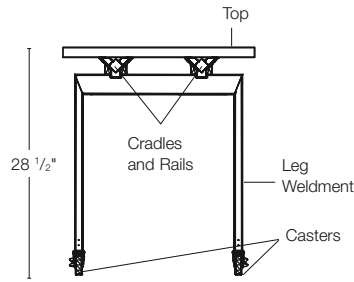
Adjustable Height End Leg End Elevation



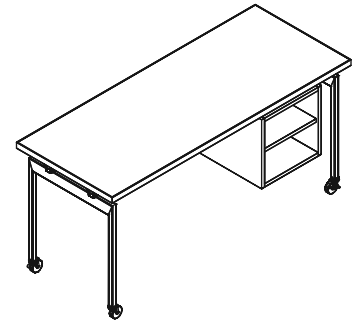
Desk with Adjustable Height End Legs and Suspended File



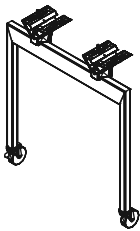
Desk Height End Leg with Casters



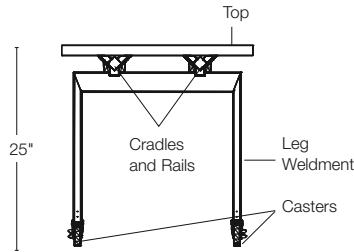
Desk Height End Leg with Casters End Elevation



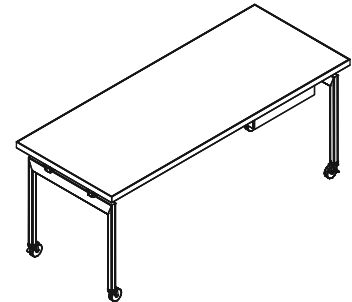
Desk with Desk Height End Legs with Casters and Suspended Open Cabinet



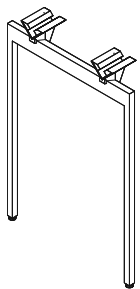
Low Desk Height End Leg with Casters



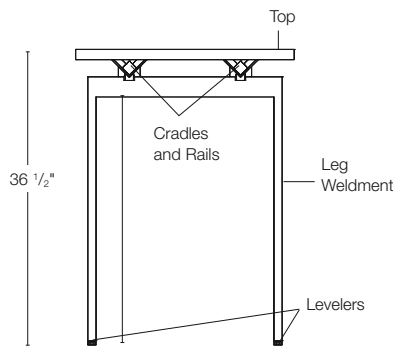
Low Desk Height End Leg with Casters End Elevation



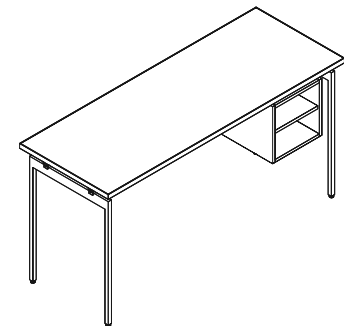
Desk with Low Desk Height End Legs with Casters and Suspended Open Cabinet



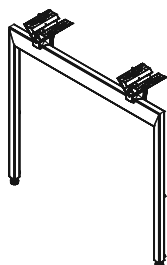
Standing Height End Leg



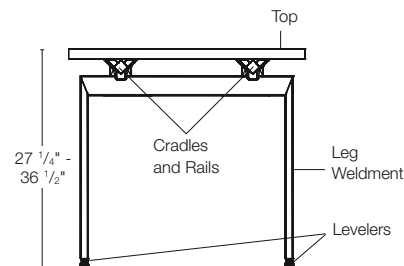
Standing Height End Leg End Elevation



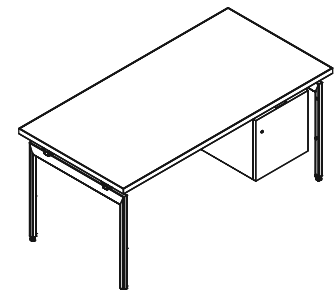
Desk with Standing Height End Legs and Suspended Open Cabinet



Pinset Desk End Leg



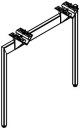
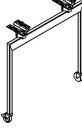
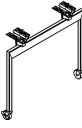
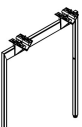
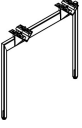
Pinset Desk End Leg End Elevation



Desk with Pinset Desk End Legs and Suspended File

# Legs for Desks or Returns


## *Desk, Low Desk, Standing, Adjustable Height and Pinset*

description	type	d	w	h	pattern no.	list
 Desk Height End Legs for Desks or Returns	For 18" Deep Top	15"	1"	27"	<b>YELD18</b>	\$298.
	For 24" Deep Top	21"	1"	27"	<b>YELD24</b>	310.
	For 27" Deep Top	24"	1"	27"	<b>YELD27</b>	315.
	For 30" Deep Top	27"	1"	27"	<b>YELD30</b>	321.
	For 36" Deep Top	33"	1"	27"	<b>YELD36</b>	333.
	For 42" or 48" Deep Top	39"	1"	27"	<b>YELD42</b>	356.
 Desk Height End Legs with Casters for Desks or Returns	For 18" Deep Top	15"	1"	27"	<b>YELCD18</b>	340.
	For 24" Deep Top	21"	1"	27"	<b>YELCD24</b>	353.
	For 27" Deep Top	24"	1"	27"	<b>YELCD27</b>	358.
	For 30" Deep Top	27"	1"	27"	<b>YELCD30</b>	363.
	For 36" Deep Top	33"	1"	27"	<b>YELCD36</b>	375.
 Low Desk Height End Legs with Casters for Desks or Returns	For 18" Deep Top	15"	1"	23 1/2"	<b>YELCM18</b>	340.
	For 24" Deep Top	21"	1"	23 1/2"	<b>YELCM24</b>	353.
	For 27" Deep Top	24"	1"	23 1/2"	<b>YELCM27</b>	358.
	For 30" Deep Top	27"	1"	23 1/2"	<b>YELCM30</b>	363.
	For 36" Deep Top	33"	1"	23 1/2"	<b>YELCM36</b>	375.
 Standing Height End Legs for Desks or Returns	For 24" Deep Top	21"	1"	35"	<b>YELH24</b>	513.
	For 27" Deep Top	24"	1"	35"	<b>YELH27</b>	524.
	For 30" Deep Top	27"	1"	35"	<b>YELH30</b>	535.
	For 36" Deep Top	33"	1"	35"	<b>YELH36</b>	546.
	For 42" or 48" Deep Top	39"	1"	35"	<b>YELH42</b>	557.
 Adjustable Height End Legs for Desks or Returns	For 18" Deep Top	15"	1"	25 1/2" - 28 1/2"	<b>YELA18</b>	333.
	For 24" Deep Top	21"	1"	25 1/2" - 28 1/2"	<b>YELA24</b>	343.
	For 27" Deep Top	24"	1"	25 1/2" - 28 1/2"	<b>YELA27</b>	351.
	For 30" Deep Top	27"	1"	25 1/2" - 28 1/2"	<b>YELA30</b>	356.
	For 36" Deep Top	33"	1"	25 1/2" - 28 1/2"	<b>YELA36</b>	368.
	For 42" or 48" Deep Top	39"	1"	25 1/2" - 28 1/2"	<b>YELA42</b>	391.

Ordering Information	Order Code	Included With	Options
<b>End Legs for Desks/Returns</b>	<b>End Legs for Desks/Returns</b>	<b>End Legs for Desks/Returns</b>	<b>End Legs for Desks/Returns</b>
1. Pattern Number	<i>Example:</i> <b>YELD30, 118T, 118T</b>	(2) Glides or Casters	
2. Leg Paint Finish	<b>YEL</b> End Leg	(2) Cradles	
3. Cradle Paint Finish	<b>D</b> Desk Height	Attachment Hardware	
	<b>30</b> Depth		
	<b>118T</b> Bright White Paint		
	<b>118T</b> Bright White Paint		

# Legs for Desks or Returns

## *Desk, Low Desk, Standing, Adjustable Height and Pinset*

description	type	d	w	h	pattern no.	list
	For 24" Deep Top	21"	1"	26"-35"	<b>YELP24</b>	\$522.
	For 27" Deep Top	24"	1"	26"-35"	<b>YELP27</b>	527.
	For 30" Deep Top	27"	1"	26"-35"	<b>YELP30</b>	533.
	For 36" Deep Top	33"	1"	26"-35"	<b>YELP36</b>	545.

Ordering Information	Order Code	Included With	Options
<b>End Legs for Desks/Returns</b> 1. Pattern Number 2. Leg Paint Finish 3. Cradle Paint Finish	<b>End Legs for Desks/Returns</b> <i>Example:</i> <b>YELD30, 118T, 118T</b> <b>YEL</b> End Leg <b>D</b> Desk Height <b>30</b> Depth <b>118T</b> Bright White Paint <b>118T</b> Bright White Paint	<b>End Legs for Desks/Returns</b> (2) Glides or Casters (2) Cradles Attachment Hardware	<b>End Legs for Desks/Returns</b>



# Legs for Table Desks

## Planning Guidelines and Specifications

Table desk end legs are 27" high inverted U-shape supports. Unlike desk end legs that attach to the underside of rails, table desk end legs capture the ends of the rails. End legs for tables can only be installed at the end of a desk top and are taller than standard end legs, so knees can fit under the end of the table. End legs for tables are the same overall depth as corresponding tops. End legs include two cradles and two levelers. Cradles are V-shaped connectors with clamps that secure the rails at a diagonal over the leg and fasten the legs and rails to the top.

End legs for tables are designed for end support of freestanding tables or returns only. Desk height table desk end legs support a worksurface height of 28 1/2". Adjustable height table desk end legs are also available

for applications needing more than the 1 1/2" height adjustability provided by desk height table desk end leg levelers. Adjustable height table desk end legs support a worksurface height ranging from 27" - 30". Legs for 18" deep tops are for return applications only.

Desk end legs are also available with casters. Desk height end legs with casters support a worksurface height of 28-1/2". When casters are required, the entire leg assembly with casters must be specified.

### Construction

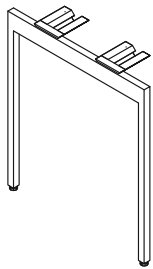
Table desk end legs are steel 27" high weldments with 1" square legs and a 2 1/2" horizontal rail. Legs include 2 1/2" levelers with 3/8" stems and continuous 1 1/2" adjustment range. Weldments for table desk legs with casters are 24" high.

Adjustable table leg weldments are 25 1/2" - 28 1/2" high including 5" levelers with 5/8" stems and 3" continuous adjustment range. Weldments for table desk legs with casters are 24" high.

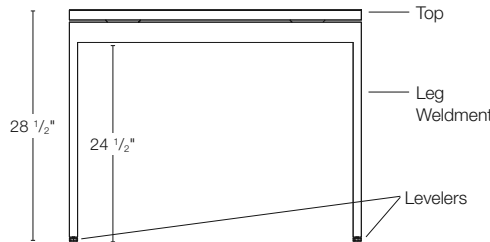
Cradles and clamps are cast aluminum with countersunk fasteners into legs, mating parts and top.

### Specification Options

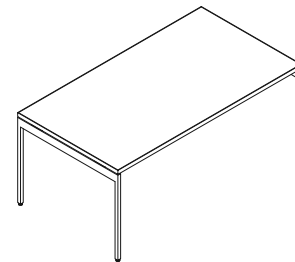
Table desk end legs can be specified in chrome or any Knoll core, Dark Red, or Slate Blue paint finish. Specify cradle finish separately in any Knoll core, Dark Red or Slate Blue paint finish.



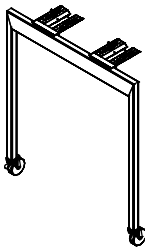
Desk Height Table Desk End Leg



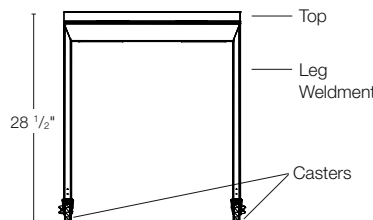
Desk Height Table End Elevation



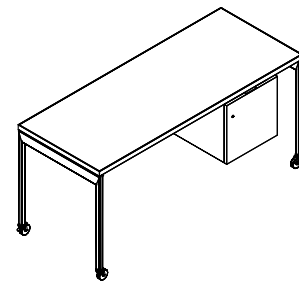
Desk Height Table Desk



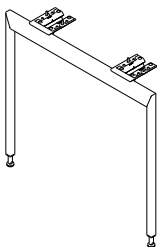
Desk Height Table Desk End Leg with Casters



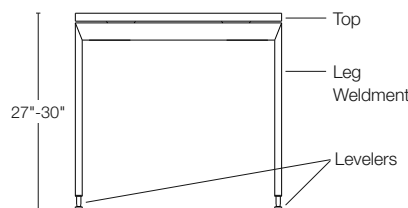
Desk Height Table Desk End Leg with Casters End Elevation



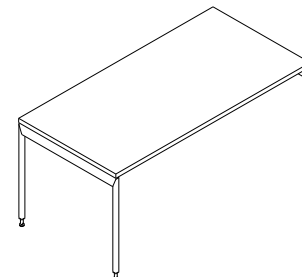
Desk with Desk Height Table Desk End Legs with Casters and Suspended File Cabinet



Adjustable Height Table Desk End Leg



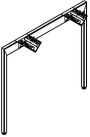
Adjustable Height Table Desk End Leg End Elevation

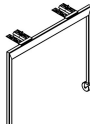



Desk with Adjustable Height Table Desk End Legs with Screen

# Legs for Table Desks

## Desk and Adjustable Height

description	type	w	d	h	pattern no.	Painted	Chrome
 Desk Height End Legs for Table Desks	For 18" Deep Top	1"	18"	27"	<b>YELSD18</b>	\$321.	\$505.
	For 24" Deep Top	1"	24"	27"	<b>YELSD24</b>	333.	518.
	For 27" Deep Top	1"	27"	27"	<b>YELSD27</b>	338.	573.
	For 30" Deep Top	1"	30"	27"	<b>YELSD30</b>	343.	582.
	For 36" Deep Top	1"	36"	27"	<b>YELSD36</b>	356.	640.
	For 42" Deep Top	1"	42"	27"	<b>YELSD42</b>	373.	684.
	For 48" Deep Top	1"	48"	27"	<b>YELSD48</b>	378.	721.

 Desk Height End Legs with Casters for Table Desks	For 24" Deep Top	1"	24"	27"	<b>YELSCD24</b>	363.	n/a
	For 27" Deep Top	1"	27"	27"	<b>YELSCD27</b>	375.	n/a
	For 30" Deep Top	1"	30"	27"	<b>YELSCD30</b>	381.	n/a
	For 36" Deep Top	1"	36"	27"	<b>YELSCD36</b>	386.	n/a
	For 42" Deep Top	1"	42"	27"	<b>YELSCD42</b>	398.	n/a
	For 48" Deep Top	1"	48"	27"	<b>YELSCD48</b>	416.	n/a

 Adjustable Height End Legs for Table Desks	For 18" Deep Top	1"	18"	25 1/2" - 28 1/2"	<b>YELSA18</b>	356.	n/a
	For 24" Deep Top	1"	24"	25 1/2" - 28 1/2"	<b>YELSA24</b>	368.	n/a
	For 27" Deep Top	1"	27"	25 1/2" - 28 1/2"	<b>YELSA27</b>	373.	n/a
	For 30" Deep Top	1"	30"	25 1/2" - 28 1/2"	<b>YELSA30</b>	378.	n/a
	For 36" Deep Top	1"	36"	25 1/2" - 28 1/2"	<b>YELSA36</b>	391.	n/a
	For 42" Deep Top	1"	42"	25 1/2" - 28 1/2"	<b>YELSA42</b>	407.	n/a
	For 48" Deep Top	1"	48"	25 1/2" - 28 1/2"	<b>YELSA48</b>	414.	n/a

Desk and Table Support

### Ordering Information

#### End Legs for Desks/Returns

1. Pattern Number
2. Leg Paint Finish
3. Cradle Paint Finish

### Order Code

#### End Legs for Table Desks

*Example:* **YELSD30, 118T, 118T**

<b>YEL</b>	End Leg
<b>S</b>	Table Desk
<b>D</b>	Desk Height
<b>30</b>	Depth
<b>118T</b>	Bright White Paint
<b>118T</b>	Bright White Paint

### Included With

#### End Legs for Table Desks

- (2) Glides or Casters
- (2) Cradles
- Attachment Hardware

### Options

#### End Legs for Table Desks

##### Finish Options:

Table Desk End Legs are available in Knoll core paints, Dard Red (130) and Slate Blue (131) paint finishes, as well as polished chrome (PD) finish.

# Legs for Back to Back Desks

## Planning Guidelines and Specifications

End legs for back to back desks are 25" high inverted U-shape supports. A back to back desk end leg supports one end of back to back tops or can be shared between adjacent pairs of back to back tops. End legs include two cradles and two levelers. Cradles are V-shaped connectors with clamps that secure the rails at a diagonal over the leg and fasten the legs and rails to the top. End legs also include two levelers.

End legs are normally positioned 1 1/2" from the end of the tops, but maybe inset for suspended storage.

Designed to create a 3 3/4" space between the back-to-back tops for a desk mounted screen and wire drops on each side, dual end legs are inset 1 1/2" from the front edges of the

tops creating an overall depth 3/4" less than the sum of corresponding back to back top depths. Shared screens can be positioned no closer to the end of the tops than 3".

Desk height back to back desk end legs support a worksurface height of 28 1/2". Adjustable back to back desk end legs are also available for applications needing more than the 1 1/2" height adjustability provided by desk height back to back desk end leg levelers. Adjustable height back to back desk end legs support a worksurface height ranging from 27" - 30". Hinged tops are not compatible with back to back desk legs.

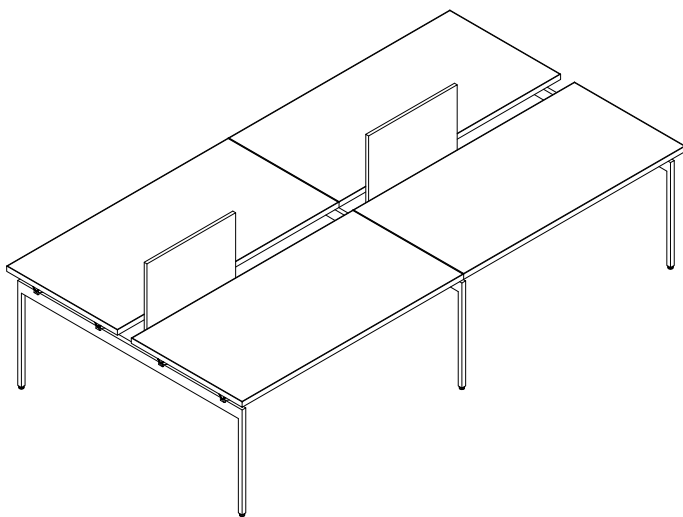
### Construction

Back to back desk end legs are 25" high steel weldments with 1" square legs and a 2 1/2" horizontal rail. Legs include 2 1/2" levelers with 3/8" stems and continuous 1 1/2" adjustment range. Adjustable back to back desk leg weldments are 23" high including 5" levelers with 5/8" stems and 3" continuous adjustment range.

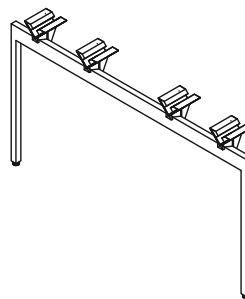
Cradles and clamps are cast aluminum with countersunk fasteners into legs, mating parts and top.

### Specification Options

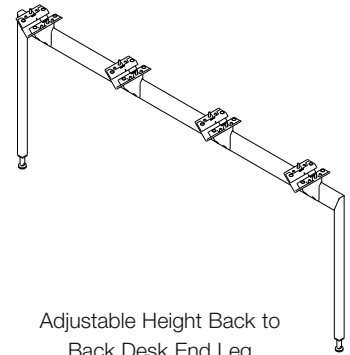
Back to back desk end legs can be specified in any Knoll core, Dark Red, or Slate Blue paint finish. Specify cradle finish separately in any Knoll core, Dark Red or Slate Blue paint finish.



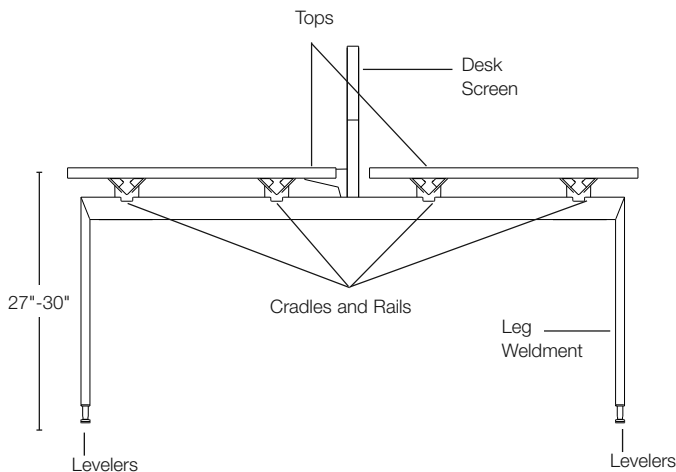
Desk Height Back to Back Desk with Screens



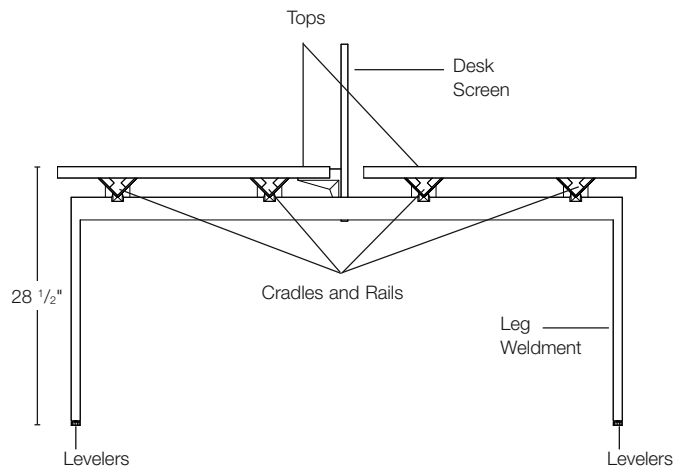
Desk Height Back to Back Desk End Leg



Adjustable Height Back to Back Desk End Leg



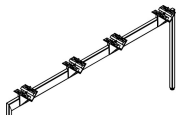
Adjustable Height Back to Back Desk End Leg End Elevation

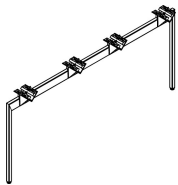


Desk Height Back to Back Desk End Elevation

# Legs for Back to Back Desks

## *Desk Height and Adjustable Height*

description	type	w	d	h	pattern no.	list
	For 18" Deep Back to Back Tops	1"	36 <sup>3</sup> / <sub>4</sub> "	27"	<b>YELDD18</b>	\$459.
	For 24" Deep Back to Back Tops	1"	48 <sup>3</sup> / <sub>4</sub> "	27"	<b>YELDD24</b>	483.
	For 27" Deep Back to Back Tops	1"	54 <sup>3</sup> / <sub>4</sub> "	27"	<b>YELDD27</b>	505.
	For 30" Deep Back to Back Tops	1"	60 <sup>3</sup> / <sub>4</sub> "	27"	<b>YELDD30</b>	517.
	For 36" Deep Back to Back Tops	1"	72 <sup>3</sup> / <sub>4</sub> "	27"	<b>YELDD36</b>	528.

description	type	w	d	h	pattern no.	list
	For 18" Deep Back to Back Tops	1"	36 <sup>3</sup> / <sub>4</sub> "	25 <sup>1</sup> / <sub>2</sub> " - 28 <sup>1</sup> / <sub>2</sub> "	<b>YELDA18</b>	493.
	For 24" Deep Back to Back Tops	1"	48 <sup>3</sup> / <sub>4</sub> "	25 <sup>1</sup> / <sub>2</sub> " - 28 <sup>1</sup> / <sub>2</sub> "	<b>YELDA24</b>	517.
	For 27" Deep Back to Back Tops	1"	54 <sup>3</sup> / <sub>4</sub> "	25 <sup>1</sup> / <sub>2</sub> " - 28 <sup>1</sup> / <sub>2</sub> "	<b>YELDA27</b>	539.
	For 30" Deep Back to Back Tops	1"	60 <sup>3</sup> / <sub>4</sub> "	25 <sup>1</sup> / <sub>2</sub> " - 28 <sup>1</sup> / <sub>2</sub> "	<b>YELDA30</b>	550.
	For 36" Deep Back to Back Tops	1"	72 <sup>3</sup> / <sub>4</sub> "	25 <sup>1</sup> / <sub>2</sub> " - 28 <sup>1</sup> / <sub>2</sub> "	<b>YELDA36</b>	563.

Desk and Table Support

Ordering Information	Order Code	Included With	Options
<b>End Legs for Back to Back Desks</b> 1. Pattern Number 2. Leg Paint Finish 3. Cradle Paint Finish	<b>End Legs for Back to Back Desks</b> <i>Example: YELDD30, 118T, 118T</i> <b>YEL</b> End Leg <b>D</b> Back to Back Desk <b>D</b> Desk Height <b>30</b> Depth <b>118T</b> Bright White Paint <b>118T</b> Bright White Paint	<b>End Legs for Back to Back Desks</b> (2) Glides (4) Cradles Attachment Hardware	<b>End Legs for Back to Back Desks</b>

# Legs for Dual Sided Big Tables

## Planning Guidelines and Specifications

Desk height end legs for dual big tables are 25" high inverted U-shape supports for use at the ends of big table configurations. Big table end legs include four cradles, support for the center beam and two levelers.

Cradles are V-shaped connectors with clamps that secure the rails over the leg and fasten the legs and rails to the top.

Intermediate legs for big tables are 25" high and are shared between adjacent tops. Big table intermediate legs include four cradles, support for the center beam, and two levelers.

Big table end legs and intermediate legs are always 50 1/2" deep, for 24", 27" or 30" top depths. They are inset 1 1/2" from front edge of 24"D tops, 4 1/2" from front edge of 27"D tops

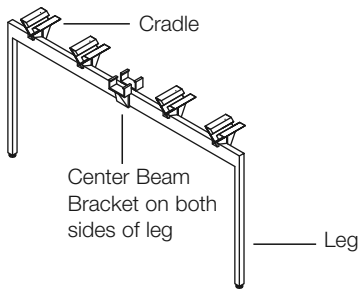
and 7 1/2" from front of 30"D tops. End legs and intermediate legs for 18" deep tops are 38 1/2" deep and inset 1 1/2" from the front edge of the top. End legs and intermediate legs for 36" deep tops are 62 1/2" deep, so they are inset 7 1/2" from front edge of top. End legs can be positioned up to 6" in from the ends of a big table and intermediate legs must be mounted directly under the joint of two tops.

Inset intermediate legs for big tables are 25" high and are shared between adjacent tops. They offer more knee space than standard intermediate legs. Big table inset intermediate legs include four cradles, support for the center beam, and two levelers. Inset intermediate leg overall depth is 35 1/2", for 24", 27" or 30"

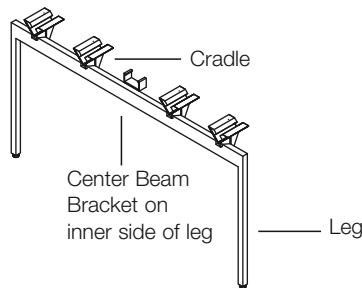
top depths. They are recessed 9" from front edge of 24"D tops, 12" from front edge of 27"D tops, and 15" from front of 30"D tops. Inset intermediate legs for 36" deep tops are 47 1/2" deep, so they are recessed 15" from front edge of top. Inset intermediate legs are not available for 18" deep big tables.

When big tables are specified with 36" deep tops 54" or wider, a mid span support for center beam must be specified.

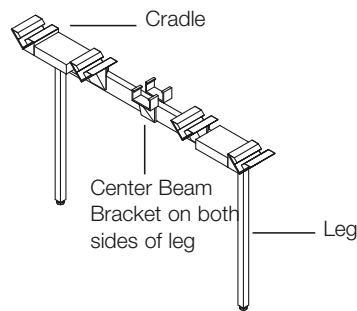
Desk height end legs, intermediate legs and inset intermediate legs 25" high support a worksurface height of 28 1/2". Adjustable height end legs, intermediate legs and inset intermediate legs 23"H support worksurface height from 27" to 30".



Desk Height Big Table Intermediate Leg



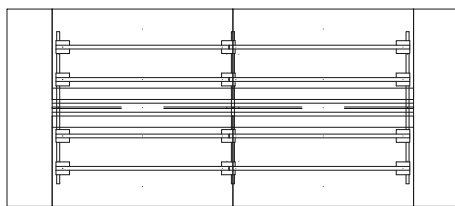
Desk Height Big Table End Leg



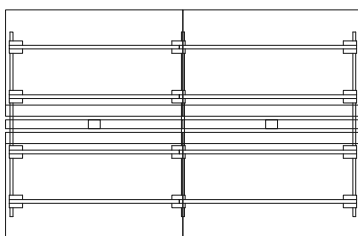
Desk Height Big Table Inset Intermediate Leg



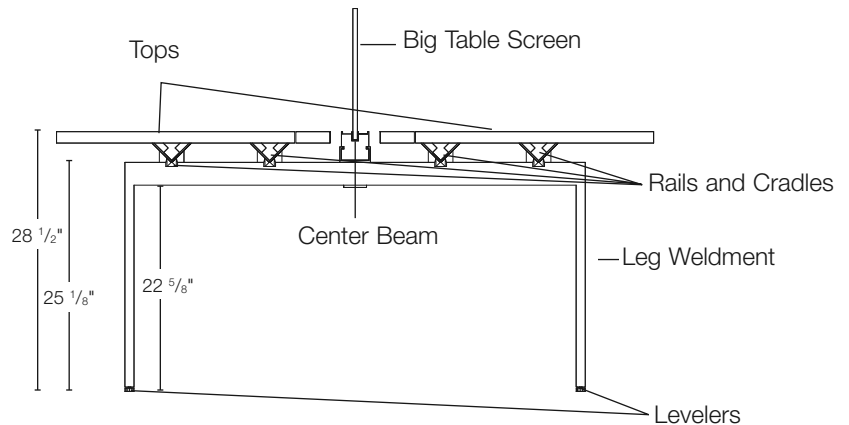
Desk Height Mid Span Support for Center Beam



Plan View of Big Table with Intermediate Leg



Plan View of Big Table with Mid Span Support for Center Beam



Dual Sided Desk Height Big Table End Elevation

# Legs for Dual Sided Big Tables

## Planning Guidelines and Specifications

Antenna dual big tables can be planned in 120 degree Antenna tops, 120 degree intermediate legs, standard big table end legs, rails, center beams and power components.

When planning with 120 degree tops, an intermediate leg for 120 degree must be specified. The vertical legs are shifted to allow for ample kneespace. The top of the intermediate leg for 120 degree is the same as the big table inset intermediate leg, with two standard cradles for rails, two extended arm cradles and brackets for the center beam between them.

Big table 120 degree planning uses the same components and capabilities as standard straight big table applications: linked modular power components, cable baskets and

wire management, center beam mounted screens, storage and monitor arms. Pedestals must be specified as mobile or freestanding with ballast for 120 degree applications.

Desk height 120 degree intermediate legs 25" high support a worksurface height of 28 1/2". Adjustable height 120 degree intermediate legs 23" H support worksurface height from 27" to 30".

### Construction

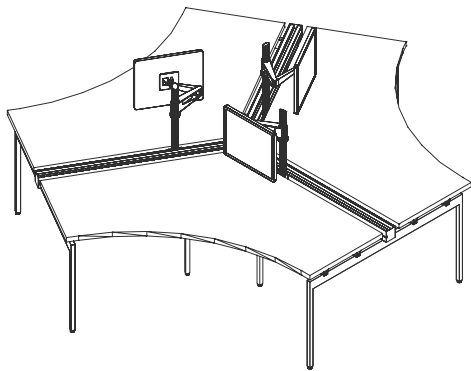
Big table desk height end legs, intermediate legs inset intermediate legs and 120 degree legs are 25" high steel weldments with 1" square legs and a 2 1/2" horizontal rail. Legs include 2 1/2" levelers with 3/8" stems and continuous 1 1/2" adjustment range.

Adjustable dual big table leg weldments are 23" high including 5" levelers with 5/8" stems and 3" continuous adjustment range.

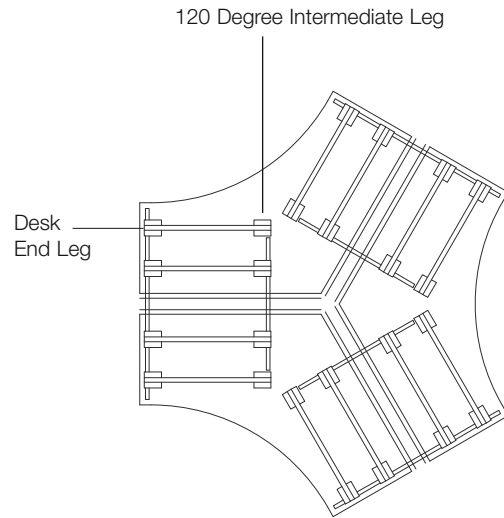
Cradles and clamps are cast aluminum with countersunk fasteners into legs, mating parts and tops.

### Specification Options

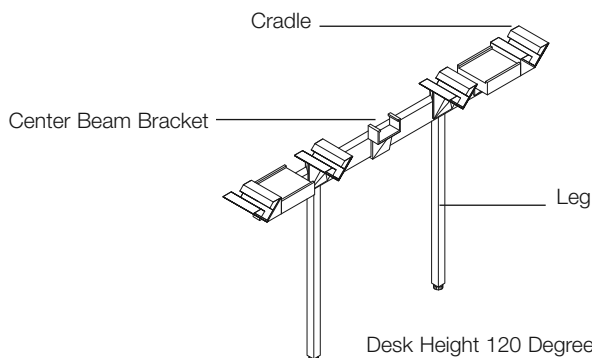
Big table end legs, intermediate legs, inset intermediate legs and 120 degree legs can be specified in any Knoll Core, Dark Red or Slate Blue paint finish. Specify cradle finish separately in any Knoll Core, Dark Red, or Slate Blue paint finish.



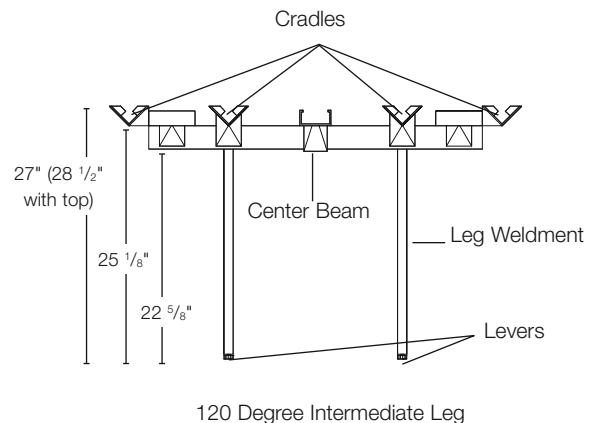
Desk Height 120 Degree Triad



Plan View of 120 Degree Triad



Desk Height 120 Degree Intermediate Leg

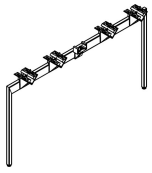


120 Degree Intermediate Leg

# Legs for Dual Sided Big Tables

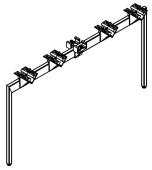
## Desk Height

description	type	w	d	h	pattern no.	list
Desk Height End Leg for Dual Big Tables	For 18"D Dual Sided Big Tables	1"	38 1/2"	27"	<b>YELDD38</b>	\$498.
	For 24", 27" or 30"D Dual Sided Big Tables	1"	50 1/2"	27"	<b>YELDD50</b>	544.
	For 36"D Dual Sided Big Table	1"	62 1/2"	27"	<b>YELDD62</b>	557.



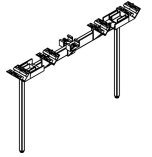
(YELDD50 shown)

Desk Height Intermediate Leg for Dual Big Tables	For 18"D Dual Sided Big Tables	1"	38 1/2"	27"	<b>YILDD38</b>	548.
	For 24", 27" or 30"D Dual Sided Big Tables	1"	50 1/2"	27"	<b>YILDD50</b>	603.
	For 36"D Dual Sided Big Tables	1"	62 1/2"	27"	<b>YILDD62</b>	607.



(YILDD50 shown)

Desk Height Inset Intermediate Leg for Dual Big Tables	For 24", 27" or 30"D Dual Sided Big Tables	1"	35 1/2"	27"	<b>YILDD35</b>	660.
	For 36"D Dual Sided Big Tables	1"	47 1/2"	27"	<b>YILDD48</b>	690.



(YILDD35 shown)

Desk Height 120° Intermediate Leg for Dual Big Tables	For 24" or 27"D Dual Sided Big Tables	1"	20"	27"	<b>YILDDV20</b>	718.
---	---------------------------------------	----	-----	-----	-----------------	------



### Ordering Information

#### Legs for Dual Big Tables

1. Pattern Number
2. Leg Paint Finish
3. Cradle Paint Finish

### Order Code

#### Legs for Dual Big Tables

*Example:* **YELDD50, 118T, 118T**

<b>YEL</b>	End Leg
<b>D</b>	Dual Big Table
<b>D</b>	Desk Height
<b>50</b>	Depth
<b>118T</b>	Bright White Paint
<b>118T</b>	Bright White Paint

### Included With

- Legs for Dual Big Tables**
- (2) Glides
  - (4) Cradles
  - Center Beam Support Brackets
  - Attachment Hardware
- Mid Span Support Leg**
- Attachment Hardware
  - Glide

### Options

#### Legs for Dual Big Tables

# Legs for Dual Sided Big Tables

## Desk Height

description	type	w	d	h	pattern no.	list
Desk Height Mid Span Support Leg for Center Beam	For 36"D Dual and Single Sided Big Tables wider than 54"W	1"	1"	25"	<b>YILDD1</b>	\$94.



### Ordering Information

#### Legs for Dual Big Tables

1. Pattern Number
2. Leg Paint Finish
3. Cradle Paint Finish

### Order Code

#### Legs for Dual Big Tables

*Example:* **YELDD50, 118T, 118T**

<b>YEL</b>	End Leg
<b>D</b>	Dual Big Table
<b>D</b>	Desk Height
<b>50</b>	Depth
<b>118T</b>	Bright White Paint
<b>118T</b>	Bright White Paint

### Included With

#### Legs for Dual Big Tables

- (2) Glides
- (4) Cradles
- Center Beam Support Brackets
- Attachment Hardware

#### Mid Span Support Leg

- Attachment Hardware
- Glide

### Options

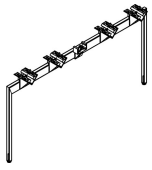
#### Legs for Dual Big Tables



# Legs for Dual Sided Big Tables

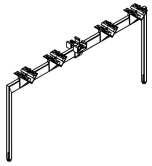
## Adjustable Height

description	type	w	d	h	pattern no.	list
Adjustable Height End Leg for Dual Big Tables	For 18"D Dual Sided Big Tables	1"	38 1/2"	25 1/2" - 28 1/2"	<b>YELDA38</b>	\$534.
	For 24", 27" or 30"D Dual Sided Big Tables	1"	50 1/2"	25 1/2" - 28 1/2"	<b>YELDA50</b>	579.
	For 36"D Dual Sided Big Tables	1"	62 1/2"	25 1/2" - 28 1/2"	<b>YELDA62</b>	592.



(YELDA50 shown)

Adjustable Height Intermediate Leg for Dual Big Tables	For 18"D Dual Sided Big Tables	1"	38 1/2"	25 1/2" - 28 1/2"	<b>YILDA38</b>	582.
	For 24", 27" or 30"D Dual Sided Big Tables	1"	50 1/2"	25 1/2" - 28 1/2"	<b>YILDA50</b>	638.
	For 36"D Dual Sided Big Tables	1"	62 1/2"	25 1/2" - 28 1/2"	<b>YILDA62</b>	642.



(YILDA50 shown)

Adjustable Height Inset Intermediate Leg for Dual Big Tables	For 24", 27" or 30"D Dual Sided Big Tables	1"	35 1/2"	25 1/2" - 28 1/2"	<b>YILDA35</b>	694.
	For 36"D Dual Sided Big Table	1"	47 1/2"	25 1/2" - 28 1/2"	<b>YILDA48</b>	725.



(YILDA35 shown)

Adjustable Height 120° Intermediate Leg for Dual Big Tables	For 24" or 27"D Dual Sided Big Table	1"	20"	25 1/2" - 28 1/2"	<b>YILDAV20</b>	752.
---	--------------------------------------	----	-----	-------------------	-----------------	------



Adjustable Height Mid Span Support Leg for Center Beam	For 36"D Dual and Single Sided Big Tables wider than 54"	1"	1"	23 1/2" - 26 1/2"	<b>YILDA1</b>	113.
--	--	----	----	-------------------	---------------	------



### Ordering Information

#### Legs for Dual Big Tables

1. Pattern Number
2. Leg Paint Finish
3. Cradle Paint Finish

### Order Code

#### Legs for Dual Big Tables

*Example:* **YELDA50, 118T, 118T**

<b>YEL</b>	End Leg
<b>D</b>	Dual Big Table
<b>A</b>	Adjustable Height
<b>50</b>	Depth
<b>118T</b>	Bright White Paint
<b>118T</b>	Bright White Paint

### Included With

**Legs for Dual Big Tables**  
 (2) Glides  
 (4) Cradles  
 Center Beam Support Brackets  
 Attachment Hardware

**Mid Span Support Leg**  
 Attachment Hardware  
 Glide

### Options

**Legs for Dual Big Tables**

Standing height end legs for 36" high dual big tables are 33" high inverted U-shape supports for use at the ends of big table configurations of four or more positions. Standing height big tables with tops greater than 18" deep must have at least one inset intermediate leg with support brace for stability. Big table end legs include four cradles, support bracket for the center beam and two levelers. Cradles are V-shaped connectors with clamps that secure the rails over the leg and fasten the legs to the tops.

End legs for 18"D standing height big tables are 38 1/2" deep, inset 1 1/2" from front edges of tops. End legs for 24", 27" or 30" deep big tables are always 50 1/2" deep, inset 1 1/2" from front edges of 24" deep tops, 4 1/2" from front edges of 27" deep tops, and 7 1/2" from front edge of 30" deep tops.

Standing height intermediate legs for 36" high big tables are 33" high inverted U-shape supports shared between adjacent tops in

big tables with four or more positions. Big table intermediate legs include four cradles, two support brackets for center beams, and two levelers.

Intermediate legs for 18"D standing height big tables are 38 1/2" deep. Intermediate legs for 24", 27" or 30" deep big tables with tops 48"-54" wide can be same dimension as 50 1/2" deep end legs, or inset intermediate legs 35 1/2" deep. Inset intermediate legs with diagonal braces are required for 24" or deeper big tables with four or more positions of tops greater than 54" wide. Inset intermediate legs are inset 9" from front edges of 24" deep tops, 12" from front edges of 27" deep tops, and 15" from front edge of 30" deep tops. Inset intermediate legs are preconfigured with inserts for diagonal brace connection near each leveler.

Diagonal brace kit, which ensures the stability of standing height tables with tops up to 84" wide, includes a pair of V-shape chrome steel tubes connecting from the

base of each leg to the underside of the center beam. Standing height intermediate leg brace kit must be specified separately.

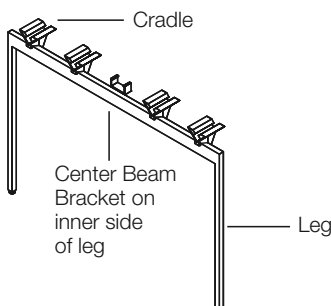
Inset intermediate legs are not available for 18"D big tables, and no standing height legs are available for 36"D tops.

### Construction

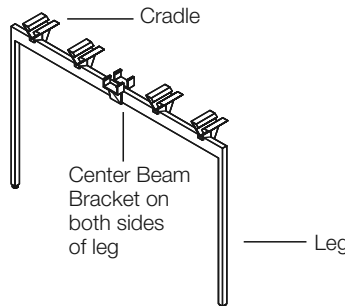
Standing height big table end legs and intermediate legs are steel weldments with 1" square legs and a 1" x 2 1/2" horizontal rail, reinforced internally. Legs include 2 1/2" levelers with 3/8" stems and continuous 1 1/2" adjustment range. Cradles and clamps are cast aluminum with countersunk fasteners into legs, mating parts and tops.

### Specification Options

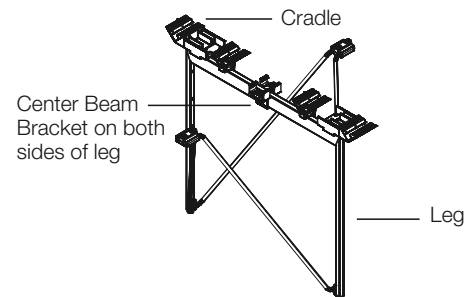
Standing height dual big table end legs, intermediate legs and inset intermediate legs can be specified in any Knoll Core, Dark Red or Slate Blue paint finish. Specify cradle finish separately. Brace kit is available in Knoll Core, Dark Red or Slate Blue paint finish and Chrome.



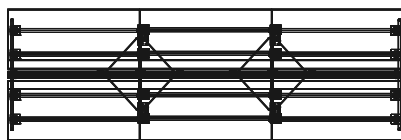
Standing Height Big Table End Leg



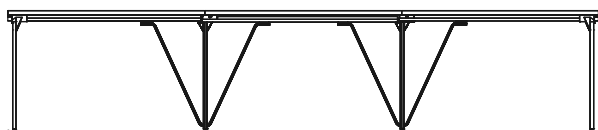
Standing Height Big Table Intermediate Leg



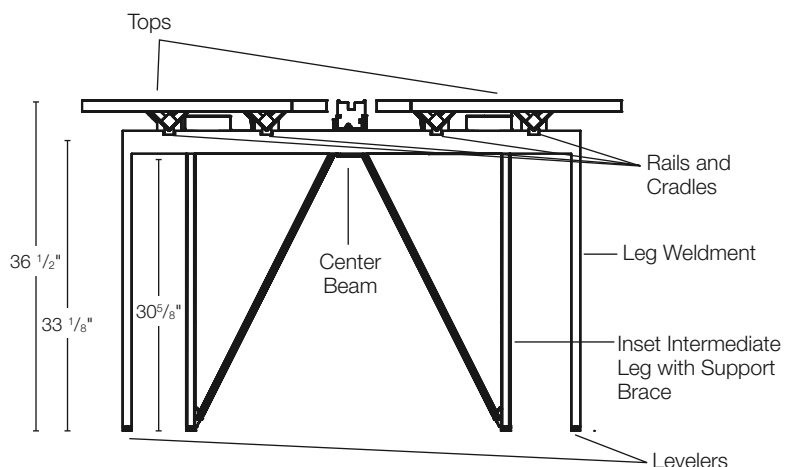
Standing Height Big Table Inset Intermediate Leg with Support Brace



Plan View of Big Table with Inset Intermediate Legs and Support Brace



Elevation View of Straight Big Table with Inset Intermediate Legs and Support Braces



Standing Height Dual Big Table End Elevations

# Legs for Standing Height Dual Sided Big Tables

## Planning Guidelines and Specifications

Standing height end legs for big tables of only two positions with tops greater than 18" deep must have the end leg support brace for stability. Big table end legs for two position applications are drilled for the end leg support brace. Big table end legs include four cradles, support bracket for the center beam and two levelers. Cradles are V-shaped connectors with clamps that secure the rails over the leg and fasten the legs to the tops.

End legs drilled for diagonal brace for 24", 27" or 30" deep big tables are always 50 1/2" deep, inset 1 1/2" from front edges of 24" deep tops, 4 1/2" from front edges of 27" deep tops, and 7 1/2" from front edge of 30" deep tops.

Diagonal brace kit, which ensures the stability of standing height tables with tops up to 84" wide, includes a pair of chrome steel tubes connecting from the base of each leg to the underside of the center beam. Standing height end leg brace kit must be specified separately.

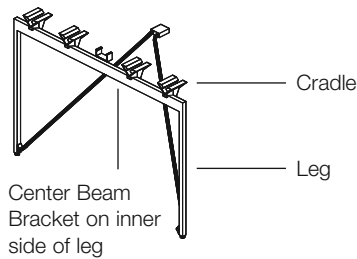
Tops of big tables with end leg support braces must be 54" or wider to accept a power harness.

### Construction

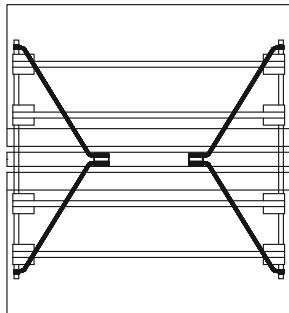
Standing height big table end legs and intermediate legs are steel weldments with 1" square legs and a 1" x 2 1/2" horizontal rail, reinforced internally. Legs include 2 1/2" levelers with 3/8" stems and continuous 1 1/2" adjustment range. Cradles and clamps are cast aluminum with countersunk fasteners into legs, mating parts and tops.

### Specification Options

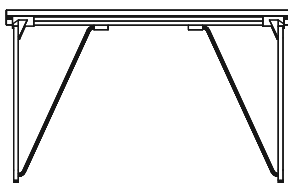
Standing height dual big table end legs, intermediate legs and inset intermediate legs can be specified in any Knoll Core, Dark Red or Slate Blue paint finish. Specify cradle finish separately. Brace kit is available in Knoll Core, Dark Red or Slate Blue paint finish and Chrome.



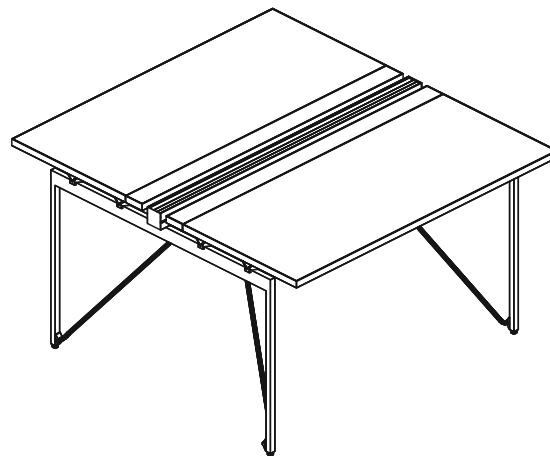
36"H Standing Height Big Table End Leg with Support Braces



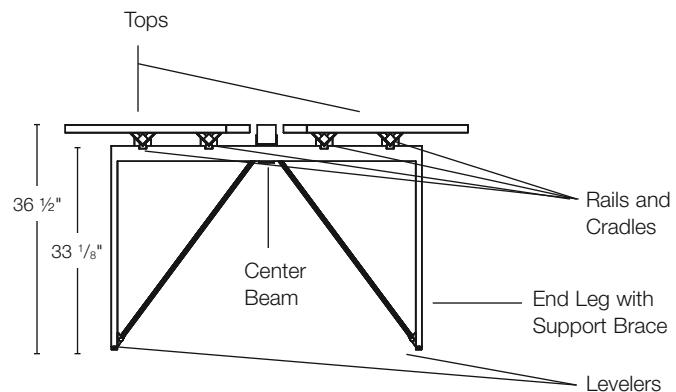
Plan View of Big Table with End Legs and Support Braces



Elevation View of Straight Big Table with End Legs and Support Braces



36"H Standing Height Two Position Dual Big Table with End Legs and Support Braces

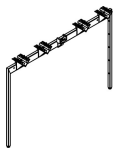


36" Standing Height Dual Big Table End Elevation

# Legs for Standing Height Dual Sided Big Tables

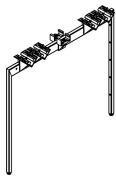
## Standing Height 36"

description	type	w	d	h	pattern no.	list
36" Standing Height End Leg for Dual Big Tables	For 18"D Dual Big Tables	1"	38 1/2"	35"	<b>YELDH38</b>	\$794.
	For 24", 27" or 30"D Dual Big Tables	1"	50 1/2"	35"	<b>YELDH50</b>	824.



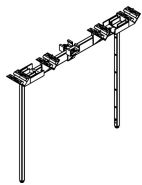
(YELDH50 shown)

36" Standing Height Intermediate Leg for Dual Big Tables	For 18"D Dual Big Tables	1"	38 1/2"	35"	<b>YILDH38</b>	858.
	For 24", 27" or 30"D Dual Big Tables	1"	50 1/2"	35"	<b>YILDH50</b>	888.



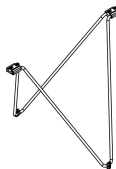
(YILDH38 shown)

36" Standing Height Inset Intermediate Leg for Dual Big Tables, Drilled for Diagonal Brace	For 24", 27" or 30"D Dual Big Tables	1"	35 1/2"	35"	<b>YILDH35</b>	1,024.
--	--------------------------------------	----	---------	-----	----------------	--------



(YILDH35 shown)

Support brace kit for standing height inset intermediate leg	For 24", 27" or 30"D Dual Big Tables	1"	20"	35"	<b>YILDHB</b>	374.
--	--------------------------------------	----	-----	-----	---------------	------



Desk and Table Support

### Ordering Information

#### Legs for Dual Big Tables

1. Pattern Number
2. Leg Paint Finish
3. Cradle Paint Finish

### Order Code

#### Legs for Dual Big Tables

*Example:* **YELDH50, 118T, 118T**

<b>YEL</b>	End Leg
<b>D</b>	Dual Big Table
<b>H</b>	Standing Height
<b>50</b>	Depth
<b>118T</b>	Bright White Paint
<b>118T</b>	Bright White Paint

### Included With

#### Legs for Dual Big Tables

- (2) Glides
- (4) Cradles
- Center Beam Support Brackets
- Attachment Hardware

#### Mid Span Support Leg

- Attachment Hardware
- Glide

### Options

#### Legs for Dual Big Tables

All core painted finishes

#### Support Brace

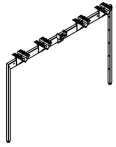
All core painted finishes and Chrome.

# Legs for Standing Height Dual Sided Big Tables

## *Standing Height 36"*

Antenna Workspaces

description	type	w	d	h	pattern no.	list
36" Standing Height End Leg for Dual Big Tables, Drilled for Diagonal Brace	For 24", 27" or 30"D Dual Big Tables	1"	50½"	35"	<b>YELDH50B</b>	\$877.



(YELDH50 shown)

36" Support brace kit for standing height End Leg	For 24", 27" or 30"D Dual Big Tables	1"	20"	35"	<b>YELDHB</b>	235.
---	--------------------------------------	----	-----	-----	---------------	------



### Ordering Information

#### Legs for Dual Big Tables

1. Pattern Number
2. Leg Paint Finish
3. Cradle Paint Finish

### Order Code

#### Legs for Dual Big Tables

*Example:* **YELDH50, 118T, 118T**

<b>YEL</b>	End Leg
<b>D</b>	Dual Big Table
<b>H</b>	Standing Height
<b>50</b>	Depth
<b>118T</b>	Bright White Paint
<b>118T</b>	Bright White Paint

### Included With

#### Legs for Dual Big Tables

(2) Glides  
(4) Cradles  
Center Beam Support Brackets  
Attachment Hardware

#### Mid Span Support Leg

Attachment Hardware  
Glide

### Options

#### Legs for Dual Big Tables

All core painted finishes

#### Support Brace

All core painted finishes and Chrome.

Standing height end legs for 42" high dual big tables are 39" high inverted U-shape supports for use at the ends of big table configurations. 42" high standing height big tables must have at least one inset intermediate leg with support brace for stability. Big table end legs include four cradles, support bracket for center beam and two levelers. Cradles are V-shaped connectors with clamps that secure the rails over the leg and fasten the legs to the tops.

End legs for 24", 27" or 30" deep big tables are always 50 1/2" deep, inset 1 1/2" from front edges of 24" deep tops, 4 1/2" from front edges of 27" deep tops, and 7 1/2" from front edge of 30" deep tops.

Standing height inset intermediate legs for 42" high big tables are 39" high inverted U-shape supports shared between adjacent tops.

Big table inset intermediate legs include four cradles, two support brackets for center beams and two levelers.

Inset intermediate legs with diagonal brace are required for all 42" high standing height big tables. Inset intermediate legs are always 35 1/2" deep, inset 9" from front edges of 24" deep tops, 12" from front edge of 27" deep tops, and 15" from front edge of 30" deep tops. Inset intermediate legs are preconfigured with inserts for diagonal brace connection near each leveler.

Diagonal brace kit, which ensures the stability of standing height tables with tops up to 84" wide, includes a pair of V-shape chrome steel tubes connecting from the base of each leg to the underside of the center beam. Standing height intermediate leg brace kit must be specified separately.

No standing height legs are available for 18" or 36" deep tops.

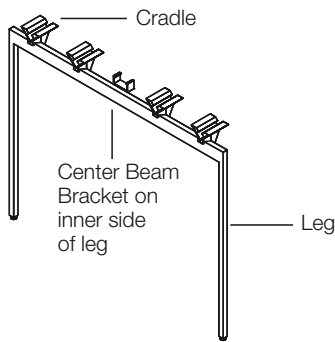
### Construction

Standing height big table end legs and inset intermediate legs are steel weldments with 1" square legs and a 1" x 2 1/2" horizontal rail, reinforced internally. Legs include 2 1/2" levelers with 3/8" stems and continuous 1 1/2" adjustment range. Cradles and clamps are cast aluminum with countersunk fasteners into legs, mating parts and tops.

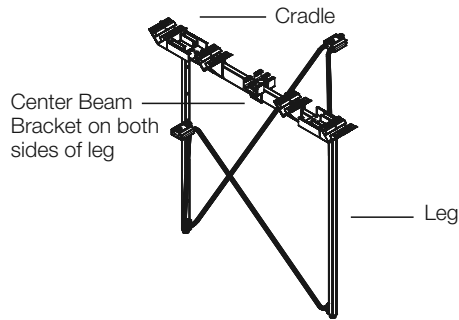
### Specification Options

Standing height dual big table end legs and inset intermediate legs can be specified in any Knoll Core, Dark Red or Slate Blue paint finish. Specify cradle finish separately. Brace kit is available in Knoll Core, Dark Red or Slate Blue paint finish and Chrome.

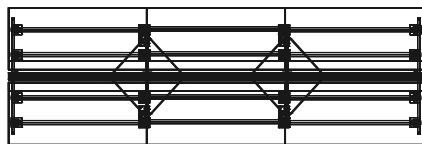
Desk and Table Support



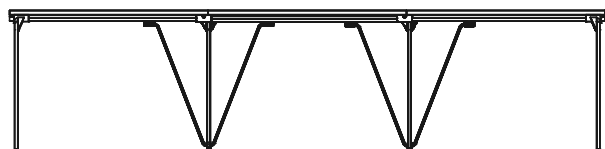
42"H Standing Height Big Table End Leg



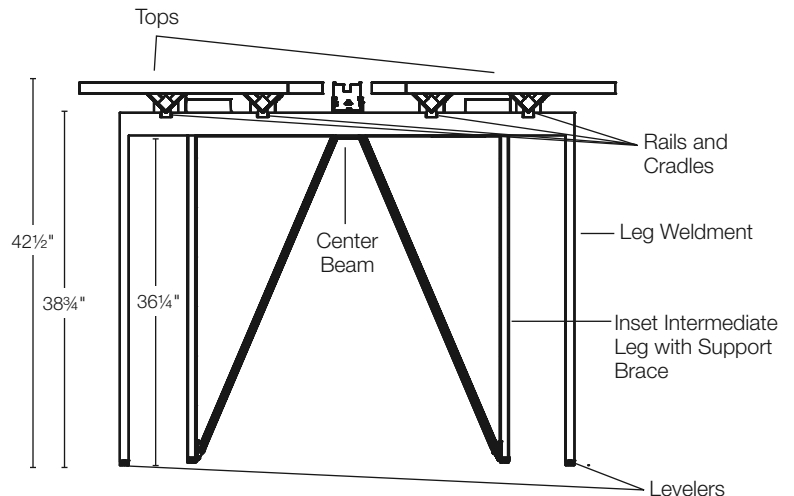
42"H Standing Height Big Table Inset Intermediate Leg with Support Brace



Plan View of Big Table with Inset Intermediate Legs and Support Brace



Elevation View of Straight Big Table with Inset Intermediate Legs and Support Braces



42"H Standing Height Dual Big Table End Elevation

# Legs for Standing Height Dual Sided Big Tables

## Planning Guidelines and Specifications

Standing height end legs for big tables of only two positions must have the end leg support brace for stability. Big table end legs for two position applications are drilled for the end leg support brace. Big table end legs include four cradles, support bracket for the center beam and two levelers. Cradles are V-shaped connectors with clamps that secure the rails over the leg and fasten the legs to the tops.

End legs drilled for diagonal brace for 24", 27" or 30" deep big tables are always 50 1/2" deep, inset 1 1/2" from front edges of 24" deep tops, 4 1/2" from front edges of 27" deep tops, and 7 1/2" from front edge of 30" deep tops.

Diagonal brace kit, which ensures the stability of standing height tables with tops up to 84" wide, includes a pair of chrome steel tubes connecting from the base of each leg to the underside of the center beam. Standing height end leg brace kit must be specified separately.

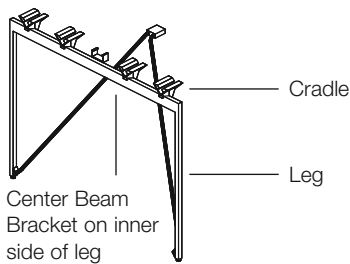
Tops of big tables with end leg support braces must be 54" or wider to accept a power harness.

### Construction

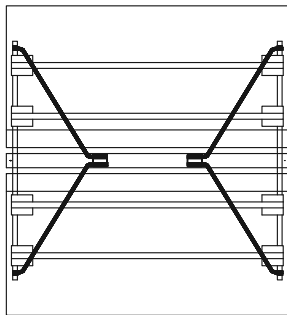
Standing height big table end legs and intermediate legs are steel weldments with 1" square legs and a 1" x 2 1/2" horizontal rail, reinforced internally. Legs include 2 1/2" levelers with 3/8" stems and continuous 1 1/2" adjustment range. Cradles and clamps are cast aluminum with countersunk fasteners into legs, mating parts and tops.

### Specification Options

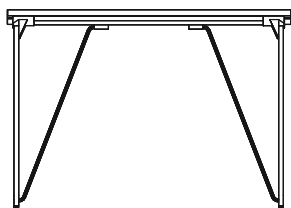
Standing height dual big table end legs, intermediate legs and inset intermediate legs can be specified in any Knoll Core, Dark Red or Slate Blue paint finish. Specify cradle finish separately. Brace kit is available in Knoll Core, Dark Red or Slate Blue paint finish and Chrome.



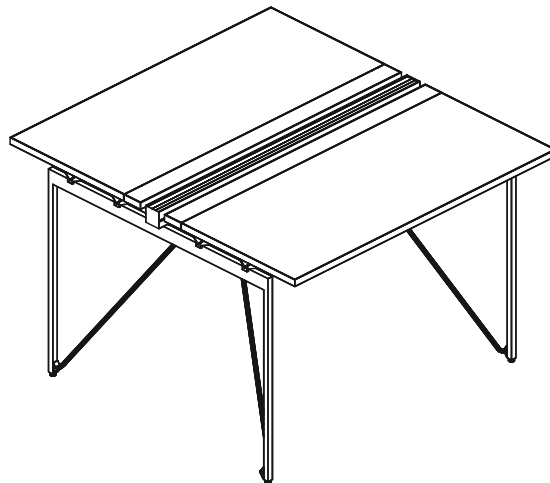
42" Standing Height Big Table End Leg with Support Braces



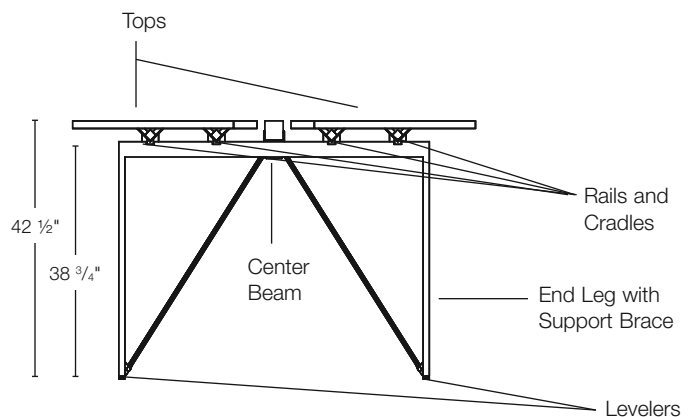
Plan View of Big Table with End Legs and Support Braces



Elevation View of Straight Big Table with End Legs and Support Braces



42" Standing Height Two Position Dual Big Table with End Legs and Support Braces

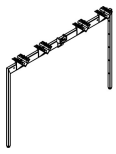


42" Standing Height Dual Big Table End Elevation

# Legs for Standing Height Dual Sided Big Tables

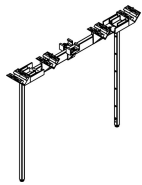
## Standing Height 42"

description	type	w	d	h	pattern no.	list
42" Standing Height End Leg for Dual Big Tables	For 24", 27" or 30"D Dual Big Tables	1"	50½"	41"	<b>YELDT50</b>	\$849.



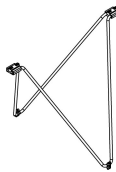
(YELDT50 shown)

42" Standing Height Inset Intermediate Leg for Dual Big Tables, Drilled for Diagonal Brace	For 24", 27" or 30"D Dual Big Tables	1"	35½"	41"	<b>YILDT35</b>	1,051.
--	--------------------------------------	----	------	-----	----------------	--------



(YILDT35 shown)

42" Support brace kit for standing height inset intermediate leg	For 24", 27" or 30"D Dual Big Tables	1"	20"	41"	<b>YILDTB</b>	420.
--	--------------------------------------	----	-----	-----	---------------	------



Desk and Table Support

### Ordering Information

#### Legs for Dual Big Tables

1. Pattern Number
2. Leg Paint Finish
3. Cradle Paint Finish

### Order Code

#### Legs for Dual Big Tables

*Example:* **YELDT50, 118T, 118T**

<b>YEL</b>	End Leg
<b>D</b>	Dual Big Table
<b>T</b>	Standing Height
<b>50</b>	Depth
<b>118T</b>	Bright White Paint
<b>118T</b>	Bright White Paint

### Included With

#### Legs for Dual Big Tables

- (2) Glides
- (4) Cradles
- Center Beam Support Brackets
- Attachment Hardware

#### Mid Span Support Leg

- Attachment Hardware
- Glide

### Options

#### Legs for Dual Big Tables

All core painted finishes

#### Support Brace

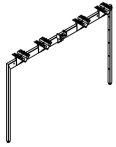
All core painted finishes and Chrome



# Legs for Standing Height Dual Sided Big Tables

## Standing Height 42"

description	type	w	d	h	pattern no.	list
42" Standing Height End Leg for Dual Big Tables, Drilled for Diagonal Brace	For 24", 27" or 30"D Dual Big Tables	1"	50 1/2"	41"	<b>YELDT50B</b>	\$902.



(YELDT50 shown)

42" Support brace kit for standing height End Leg	For 24", 27" or 30"D Dual Big Tables	1"	20"	41"	<b>YELDTB</b>	243.
---	--------------------------------------	----	-----	-----	---------------	------



### Ordering Information

#### Legs for Dual Big Tables

1. Pattern Number
2. Leg Paint Finish
3. Cradle Paint Finish

### Order Code

#### Legs for Dual Big Tables

*Example:* **YELDT50, 118T, 118T**

<b>YEL</b>	End Leg
<b>D</b>	Dual Big Table
<b>T</b>	Standing Height
<b>50</b>	Depth
<b>118T</b>	Bright White Paint
<b>118T</b>	Bright White Paint

### Included With

#### Legs for Dual Big Tables

- (2) Glides
- (4) Cradles
- Center Beam Support Brackets
- Attachment Hardware

#### Mid Span Support Leg

- Attachment Hardware
- Glide

### Options

#### Legs for Dual Big Tables

All core painted finishes

#### Support Brace

All core painted finishes and Chrome

# Legs for Single Sided Big Tables

## Planning Guidelines and Specifications

End legs for single sided big tables are 25" high inverted U-shape supports for use at the ends of single sided big table configurations. End legs include cradles, support bracket for the center beam and two levelers. Cradles are V-shape connectors with clamps that secure starter or extended rails to the leg and fasten the legs and rails to the top.

Intermediate legs for single sided big tables are shared between adjacent tops. Single sided intermediate legs include two cradles, two support brackets for center beams and two levelers.

### Legs For Basic Single Sided Big Tables

End legs and intermediate legs for basic single sided big tables with 18" deep tops are 22" deep, set back 1 1/2" from the front edge.

End legs and intermediate legs for tables with tops that are 24", 27" or 30" deep are 28" deep, set back 1 1/2" from the front edge of 24" deep tops, 4 1/2" from the front of 27" deep tops, and 7 1/2" from the front of 30" deep tops. End legs and intermediate legs for basic big tables with 36" deep tops are 34" deep, and set back 7 1/2" from the front edge.

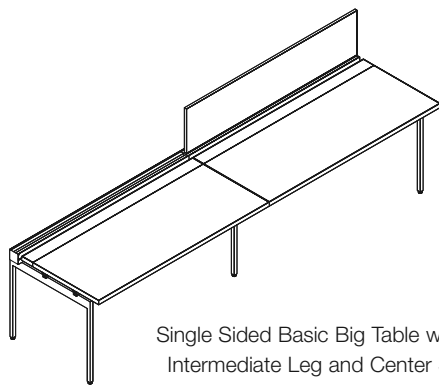
For big tables with tops deeper than 18", inset intermediate legs offer more kneespace than standard intermediate legs: inset intermediate legs 20" deep are recessed 9" from front edge

of 24" deep tops, 12" from front of 27" deep tops and 15" from front of 30" deep tops. Inset intermediate legs 26" deep are recessed 15" from front edge of 36" deep table tops.

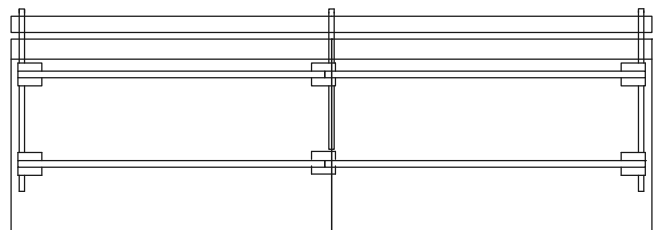
Overall depth of basic single sided big table is about 5 1/2" more than big table tops.

End legs can be positioned from 1 1/2" to 6" in from the end of a big table top. Intermediate legs or inset intermediate legs must be mounted directly under the joint of two tops.

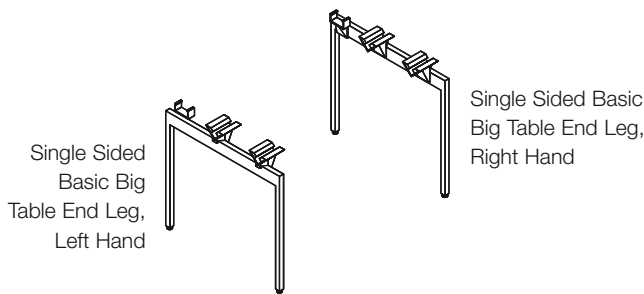
Note that stanchion mounted cabinets do not mount to center beam of basic single sided big tables. Specify the full back version of the single sided big table if stanchion mounted storage is required.



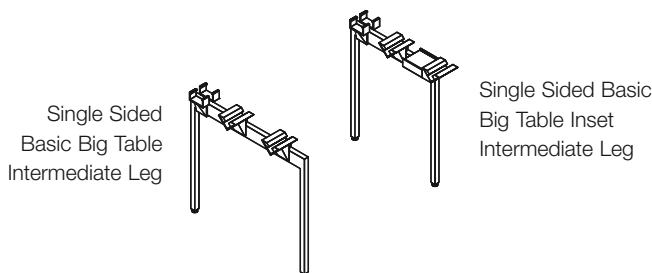
Single Sided Basic Big Table with Inset Intermediate Leg and Center Screen



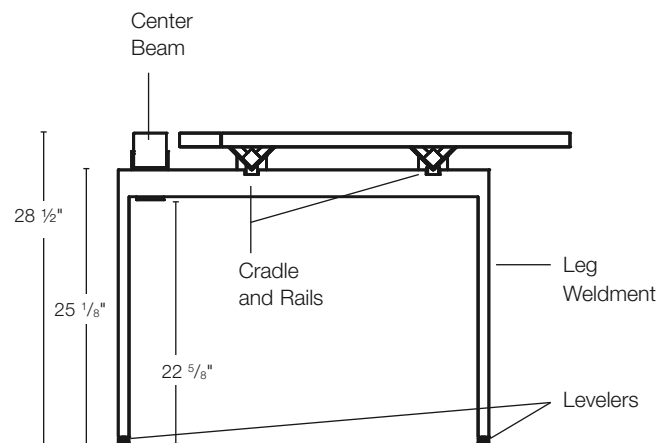
Plan View of Single Sided Basic Big Table



Center beam Bracket on Inner Side of End Leg



Center Beam Bracket on Both Sides of Intermediate Leg



Basic Single Sided Big Table End Elevation

Desk and Table Support

# Legs for Single Sided Big Tables

## Planning Guidelines and Specifications

### Legs For Full Back Single Sided Big Tables

End legs and intermediate legs for full back, single sided big tables with 18" deep tops are 28" deep, set back 1 1/2" from the front edge. End legs and intermediate legs for tables with tops that are 24", 27" or 30" deep are 34" deep, set back 1 1/2" from the front edge of 24" deep tops, 4 1/2" from the front of 27" deep tops, and 7 1/2" from the front of 30" deep tops. End legs and intermediate legs for basic big tables with 36" deep tops are 40" deep, and set back 7 1/2" from the front edge.

For big tables with tops deeper than 18", inset intermediate legs offer more kneespace than standard intermediate legs: inset intermediate legs 26 1/2" deep are recessed 9" from front edge of 24" deep tops, 12" from front of 27" deep tops and 15" from front of 30" deep tops. Inset intermediate legs 32 1/2" deep are recessed 15" from front edge of 36" deep tops.

Overall depth of full back single sided big tables is about 13" more than the big table tops.

End legs can be positioned from 1 1/2" to 6" in from the end of a big table top, or centered under the joint of a top and extension top. Intermediate legs or inset intermediate legs must be mounted directly under the joint of two tops.

Note that stanchion mounted cabinets mount on full back single sided big table center beam with storage stanchion supports, specified separately.

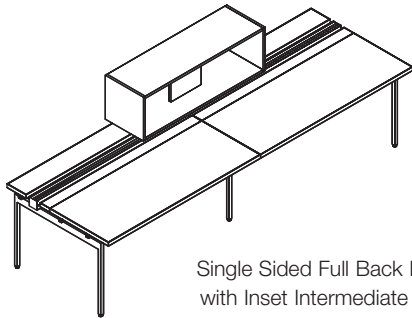
### Construction

Big table end legs, intermediate legs and inset intermediate legs are steel weldments with 1" square legs and a 2 1/2" horizontal rail. Standard legs include 2 1/2" levelers with 3/8" stems and continuous 1 1/2" adjustment range for desk tops from 28 3/8" to 30" overall height. Adjustable legs include 5" levelers with 5/8" diameter stems and a continuous 3" adjustment range for desk tops from 27"-30" overall height.

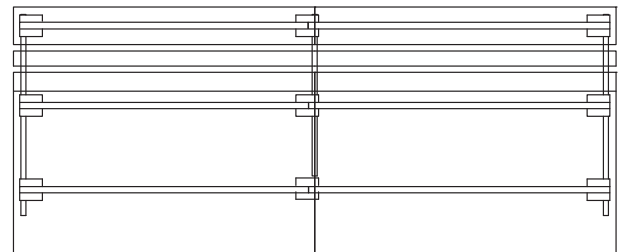
Cradles and clamps are cast aluminum with countersunk fasteners into legs, mating parts and tops.

### Specifications Options

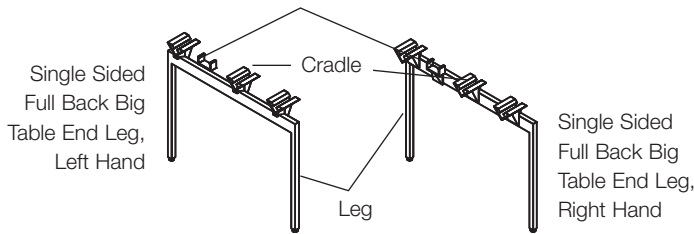
Big table end legs, intermediate legs and inset intermediate legs can be specified in any Knoll Core, Dark Red or Slate Blue paint finish. Specify cradle finish separately in any Knoll Core, Dark Red or Slate Blue paint finish.



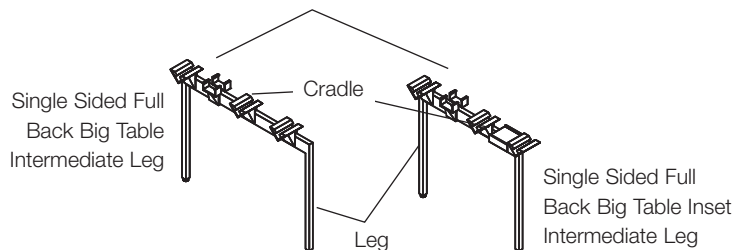
Single Sided Full Back Big Table with Inset Intermediate Leg and Stanchion Mounted Open Cabinet



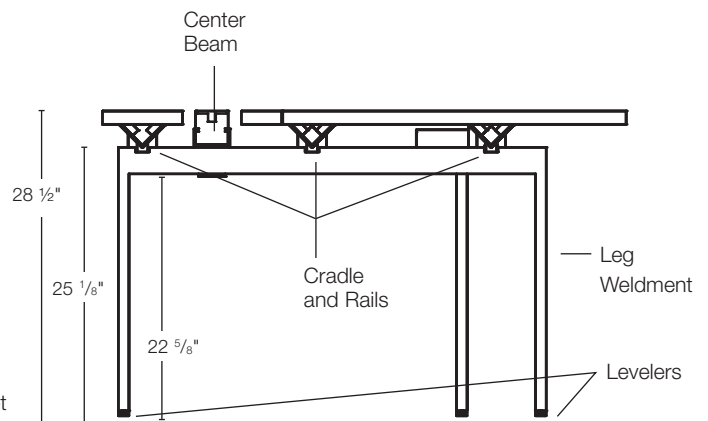
Plan View of Single Sided Full Back Big Table



Center Beam Bracket on Inner Side of Leg



Center Beam Bracket on Both Sides of Leg

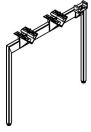


Full Back Single Sided Big Table End Elevation

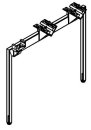
# Legs for Single Sided Big Tables

## Desk Height, Basic

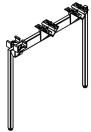
description	type	w	d	h	pattern no.	list
Desk Height End Legs for Single Sided Basic Big Tables (Left Shown)	Left support for 18"D single sided big table	1"	22"	25"	<b>YEL2SSDB22L</b>	\$366.
	Left support for 24", 27" or 30"D single sided big table	1"	28"	25"	<b>YEL2SSDB28L</b>	382.
	Left support for 36"D single sided big table	1"	34"	25"	<b>YEL2SSDB34L</b>	397.



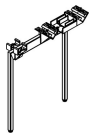
Desk Height End Legs for Single Sided Basic Big Tables (Right Shown)	Right support for 18"D single sided big table	1"	22"	25"	<b>YEL2SSDB22R</b>	366.
	Right support for 24", 27" or 30"D single sided big table	1"	28"	25"	<b>YEL2SSDB28R</b>	382.
	Right support for 36"D single sided big table	1"	34"	25"	<b>YEL2SSDB34R</b>	397.



Desk Height Intermediate Legs for Single Sided Basic Big Tables	For 18"D single sided big tables	1"	22"	25"	<b>YIL2SSDB22</b>	424.
	For 24", 27" or 30"D single sided big table	1"	28"	25"	<b>YIL2SSDB28</b>	441.
	For 36"D single sided big table	1"	34"	25"	<b>YIL2SSDB34</b>	455.



Desk Height Inset Intermediate Legs for Single Sided Basic Big Tables	For 24", 27" or 30"D single sided big table	1"	20"	25"	<b>YIL2SSDB20</b>	493.
	For 36"D single sided big table	1"	26"	25"	<b>YIL2SSDB26</b>	509.

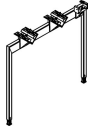


Ordering Information	Order Code	Included With	Options
<b>Legs for Single Big Tables</b>	<b>Legs for Single Side Big Tables</b>	<b>Legs for Single Side Big Tables</b>	<b>Legs for Single Side Big Tables</b>
1. Pattern Number	<i>Example:</i> <b>YELSSDB22L, 118T, 118T</b>	(2) Glides	
2. Leg Paint Finish	<b>YEL</b> End Leg	(4) Cradles	
3. Cradle Paint Finish	<b>SS</b> Single Sided Big Table	Center Beam Support Brackets	
	<b>D</b> Desk Height	Attachment Hardware	
	<b>B</b> Basic		
	<b>22</b> Depth		
	<b>L</b> Left Support		
	<b>118T</b> Bright White Paint		
	<b>118T</b> Bright White Paint		

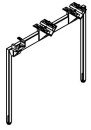
# Legs for Single Sided Big Tables

## *Adjustable Height, Basic*

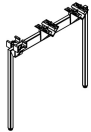
description	type	w	d	h	pattern no.	list
Adjustable Height End Legs for Single Sided Basic Big Tables (Left Shown)	Left support for 18"D single sided big table	1"	22"	25 1/2" - 28 1/2"	<b>YEL2SSAB22L</b>	\$399.
	Left support for 24", 27" or 30"D single sided big table	1"	28"	25 1/2" - 28 1/2"	<b>YEL2SSAB28L</b>	415.
	Left support for 36"D single sided big table	1"	34"	25 1/2" - 28 1/2"	<b>YEL2SSAB34L</b>	429.



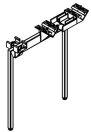
Adjustable Height End Legs for Single Sided Basic Big Tables (Right Shown)	Right support for 18"D single sided big table	1"	22"	25 1/2" - 28 1/2"	<b>YEL2SSAB22R</b>	399.
	Right support for 24", 27" or 30"D single sided big table	1"	28"	25 1/2" - 28 1/2"	<b>YEL2SSAB28R</b>	415.
	Right support for 36"D single sided big table	1"	34"	25 1/2" - 28 1/2"	<b>YEL2SSAB34R</b>	429.



Adjustable Height Intermediate Legs for Single Sided Basic Big Tables	For 18"D single sided big tables	1"	22"	25 1/2" - 28 1/2"	<b>YIL2SSAB22</b>	456.
	For 24", 27" or 30"D single sided big tables	1"	28"	25 1/2" - 28 1/2"	<b>YIL2SSAB28</b>	473.
	For 36"D single sided big tables	1"	34"	25 1/2" - 28 1/2"	<b>YIL2SSAB34</b>	487.



Adjustable Height Inset Intermediate Legs for Single Sided Basic Big Tables	For 24", 27" or 30"D single sided big tables	1"	20"	25 1/2" - 28 1/2"	<b>YIL2SSAB20</b>	525.
	For 36"D single sided big table	1"	26"	25 1/2" - 28 1/2"	<b>YIL2SSAB26</b>	541.



### Ordering Information

#### Legs for Single Big Tables

1. Pattern Number
2. Leg Paint Finish
3. Cradle Paint Finish

### Order Code

#### Legs for Single Side Big Tables

*Example:* **YELSSAB22L, 118T, 118T**

<b>YEL</b>	End Leg
<b>SS</b>	Single Sided Big Table
<b>A</b>	Adjustable Height
<b>B</b>	Basic
<b>22</b>	Depth
<b>L</b>	Left Support
<b>118T</b>	Bright White Paint
<b>118T</b>	Bright White Paint

### Included With

#### Legs for Single Side Big Tables

- (2) Glides
- (4) Cradles
- Center Beam Support Brackets
- Attachment Hardware

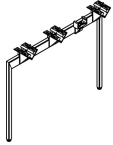
### Options

#### Legs for Single Side Big Tables

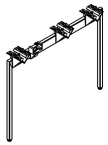
# Legs for Single Sided Big Tables

## Desk Height, Full Back

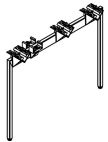
description	type	w	d	h	pattern no.	list
Desk Height End Legs for Single Sided Full Back Big Tables (Left Shown)	Left support for 18"D single sided big table	1"	28"	25"	<b>YELSSDF28L</b>	\$418.
	Left support for 24", 27" or 30"D single sided big table	1"	34"	25"	<b>YELSSDF34L</b>	431.
	Left support for 36"D single sided big table	1"	40"	25"	<b>YELSSDF40L</b>	451.



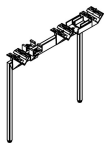
Desk Height End Legs for Single Sided Full Back Big Tables (Right Shown)	Right support for 18"D single sided big table	1"	28"	25"	<b>YELSSDF28R</b>	418.
	Right support for 24", 27" or 30"D single sided big table	1"	34"	25"	<b>YELSSDF34R</b>	431.
	Right support for 36"D single sided big table	1"	40"	25"	<b>YELSSDF40R</b>	451.



Desk Height Intermediate Legs for Single Sided Full Back Big Tables	For 18"D single sided big tables	1"	28"	25"	<b>YILSSDF28</b>	468.
	For 24", 27" or 30"D single sided big table	1"	34"	25"	<b>YILSSDF34</b>	483.
	For 36"D single sided big table	1"	40"	25"	<b>YILSSDF40</b>	538.



Desk Height Inset Intermediate Legs for Single Sided Full Back Big Tables	For 24", 27" or 30"D single sided big table	1"	26 1/2"	25"	<b>YILSSDF26</b>	534.
	For 36"D single sided big table	1"	32 1/2"	25"	<b>YILSSDF32</b>	548.



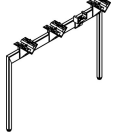
Desk and Table Support

Ordering Information	Order Code	Included With	Options
<b>Legs for Single Big Tables</b>	<b>Legs for Single Side Big Tables</b>	<b>Legs for Single Side Big Tables</b>	<b>Legs for Single Side Big Tables</b>
1. Pattern Number	<i>Example:</i> <b>YELSSDF28L, 118T, 118T</b>	(2) Glides	
2. Leg Paint Finish	<b>YEL</b> End Leg	(4) Cradles	
3. Cradle Paint Finish	<b>SS</b> Single Sided Big Table	Center Beam Support Brackets	
	<b>D</b> Desk Height	Attachment Hardware	
	<b>F</b> Full Performance		
	<b>28</b> Depth		
	<b>L</b> Left Support		
	<b>118T</b> Bright White Paint		
	<b>118T</b> Bright White Paint		

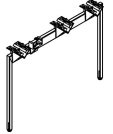
# Legs for Single Sided Big Tables

## *Adjustable Height, Full Back*

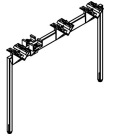
description	type	w	d	h	pattern no.	list
Adjustable Height End Legs for Single Sided Full Back Big Tables (Left Shown)	Left support for 18"D single sided big table	1"	28"	25 1/2" - 28 1/2"	<b>YELSSAF28L</b>	\$452.
	Left support for 24", 27" or 30"D single sided big table	1"	34"	25 1/2" - 28 1/2"	<b>YELSSAF34L</b>	465.
	Left support for 36"D single sided big table	1"	40"	25 1/2" - 28 1/2"	<b>YELSSAF40L</b>	486.



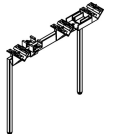
Adjustable Height End Legs for Single Sided Full Back Big Tables (Right Shown)	Right support for 18"D single sided big table	1"	28"	25 1/2" - 28 1/2"	<b>YELSSAF28R</b>	452.
	Right support for 24", 27" or 30"D single sided big table	1"	34"	25 1/2" - 28 1/2"	<b>YELSSAF34R</b>	465.
	Right support for 36"D single sided big table	1"	40"	25 1/2" - 28 1/2"	<b>YELSSAF40R</b>	486.



Adjustable Height Intermediate Legs for Single Sided Full Back Big Tables	For 18"D single sided big tables	1"	28"	25 1/2" - 28 1/2"	<b>YILSSAF28</b>	504.
	For 24", 27" or 30"D single sided big tables	1"	34"	25 1/2" - 28 1/2"	<b>YILSSAF34</b>	517.
	For 36"D single sided big tables	1"	40"	25 1/2" - 28 1/2"	<b>YILSSAF40</b>	538.



Adjustable Height Inset Intermediate Legs for Single Sided Full Back Big Tables	For 24", 27" or 30"D single sided big tables	1"	26 1/2"	25 1/2" - 28 1/2"	<b>YILSSAF26</b>	569.
	For 36"D single sided big table	1"	32 1/2"	25 1/2" - 28 1/2"	<b>YILSSAF32</b>	582.



Ordering Information	Order Code	Included With	Options
<b>Legs for Single Big Tables</b>	<b>Legs for Single Side Big Tables</b>	<b>Legs for Single Side Big Tables</b>	<b>Legs for Single Side Big Tables</b>
1. Pattern Number	<i>Example:</i> <b>YELSSAF28L, 118T, 118T</b>	(2) Glides	
2. Leg Paint Finish	<b>YEL</b> End Leg	(4) Cradles	
3. Cradle Paint Finish	<b>SS</b> Single Sided Big Table	Center Beam Support Brackets	
	<b>A</b> Adjustable Height	Attachment Hardware	
	<b>F</b> Full Performance		
	<b>28</b> Depth		
	<b>L</b> Left Support		
	<b>118T</b> Bright White Paint		
	<b>118T</b> Bright White Paint		

# Legs for C-Leg and T-Leg Tables

## Planning Guidelines and Specifications

C-Leg and T-Leg table bases are designed for use with corresponding Antenna tops to create freestanding tables. Antenna tops designated for use with C-Leg and T-Leg table bases must be specified separately. Bases include hardware for mounting top to base.

C-Leg and T-Leg bases are available fixed height or height adjustable. All four height adjustable options are able to be adjusted by the user. Height adjustable options include: Pin-Set, Handcrank, Electric and Advanced Electric. Pin-Set bases adjust with the placement of a pin in each leg to create the appropriate height worksurface for each individual user. Handcrank table bases have a handle on the front of the table base underneath the top that turns to adjust the height of the table. Both types of electric bases have button controls on the front edge of the base underneath the top to adjust the top up and down.

23" deep C-Leg bases support rectangular tops up to 24" deep. 29" deep C-Leg bases support rectangular tops up to 30" deep. 29" deep T-Leg bases support rectangular tops up to 36" deep when centered over feet.

For power and data access, Dividends Horizon desktop power and data modules or Antenna Workspaces desktop outlet centers may be specified separately for use with C-Leg and T-Leg tables.

Dividends Horizon worksurface cable management baskets may be specified separately for use with C-Leg and T-Leg tables.

When privacy screens are required, Antenna Workspaces or Morrison Network privacy screens may be specified separately for use with C-Leg and T-Leg tables.

### Construction

C-Leg and T-Leg base feet are a two piece construction with formed top and bottom plates made from 8 gauge steel. Feet include levelers with  $\frac{3}{8}$ " height adjustability. The crossbars are 14 gauge formed steel "J" channels. Top plates are 13 gauge steel. Shroud is 20 gauge formed steel.

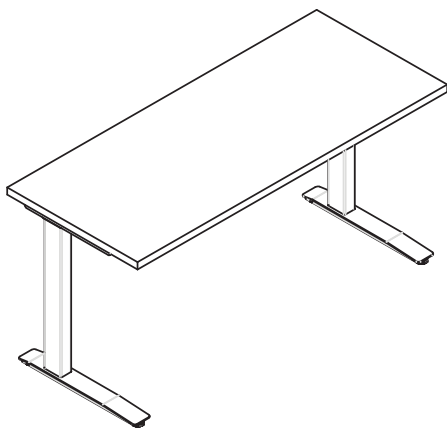
Power usage requirements for electric bases are 110 Volts, 60 Hertz. The power usage breakdown is 4 amp start-up draw, 3.5 amp running draw and zero energy shadow draw when motors not in use.

### Specification Options

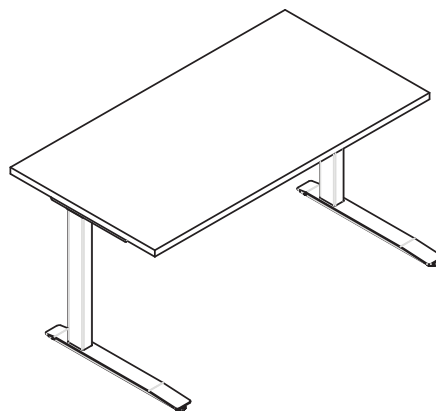
Base comes in Black (9005), Knoll Silver or Knoll Bright White paint finish. Optional lower leg shroud and feet can be specified in Knoll Core paint finishes.

Base Types	Fixed	Pin-Set	Handcrank	Electric	Advanced Electric
Height Range*	27"	22"-35"	22"-35"	27"-46 ½"	21"-47 ½"
Adjustment	N/A	1" increments	"5" turns per inch	1 ½" per second	1 ½" per second
Load Capacity	440 lbs.	440 lbs.	260 lbs.	300 lbs.	300 lbs.

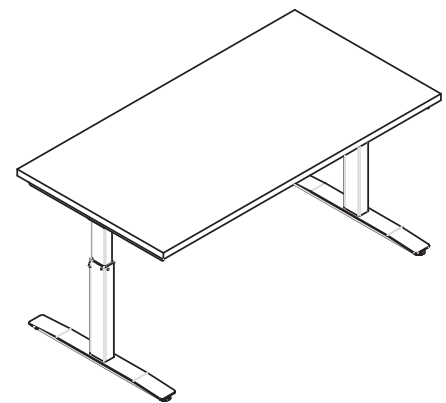
\*Height ranges shown do not include top thickness



24"D x 60"W C-Leg Fixed Height Table



30"D x 60"W C-Leg Fixed Height Table

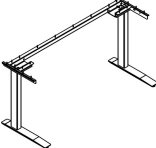
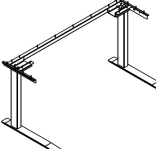
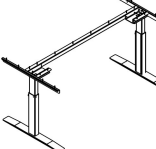
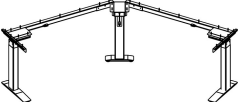


36"D x 60"W T-Leg Pin-Set Table



# Legs for C-Leg and T-Leg Tables

## Fixed Height and Height Adjustable

description	type	w*	w	d	pattern no.	Fixed (F)	Pin-Set (P)	Hand-crank (H)	Electric (E)	Advanced Electric (A)
 <p>24" Deep C-Leg Bases</p>	For use with 36"W, 24"D Antenna C-Leg Top	36"	34"	23"	<b>YUBC3423( )</b>	\$979.	\$1,305.	\$1,957.	\$3,399.	\$3,578.
	For use with 42"W, 24"D Antenna C-Leg Top	42"	40"	23"	<b>YUBC4023( )</b>	979.	1,305.	1,957.	3,399.	3,578.
	For use with 48"W, 24"D Antenna C-Leg Top	48"	46"	23"	<b>YUBC4623( )</b>	979.	1,305.	1,957.	3,399.	3,578.
	For use with 54"W, 24"D Antenna C-Leg Top	54"	52"	23"	<b>YUBC5223( )</b>	979.	1,305.	1,957.	3,399.	3,578.
	For use with 60"W, 24"D Antenna C-Leg Top	60"	58"	23"	<b>YUBC5823( )</b>	979.	1,305.	1,957.	3,399.	3,578.
	For use with 66"W, 24"D Antenna C-Leg Top	66"	64"	23"	<b>YUBC6423( )</b>	1,001.	1,327.	1,980.	3,421.	3,602.
	For use with 72"W, 24"D Antenna C-Leg Top	72"	70"	23"	<b>YUBC7023( )</b>	1,001.	1,327.	1,980.	3,421.	3,602.
<i>Fixed Shown</i>										
 <p>30" Deep C-Leg Bases</p>	For use with 36"W, 30"D Antenna C-Leg Top	36"	34"	29"	<b>YUBC3429( )</b>	1,025.	1,351.	2,004.	3,444.	3,624.
	For use with 42"W, 30"D Antenna C-Leg Top	42"	40"	29"	<b>YUBC4029( )</b>	1,025.	1,351.	2,004.	3,444.	3,624.
	For use with 48"W, 30"D Antenna C-Leg Top	48"	46"	29"	<b>YUBC4629( )</b>	1,025.	1,351.	2,004.	3,444.	3,624.
	For use with 54"W, 30"D Antenna C-Leg Top	54"	52"	29"	<b>YUBC5229( )</b>	1,025.	1,351.	2,004.	3,444.	3,624.
	For use with 60"W, 30"D Antenna C-Leg Top	60"	58"	29"	<b>YUBC5829( )</b>	1,025.	1,351.	2,004.	3,444.	3,624.
	For use with 66"W, 30"D Antenna C-Leg Top	66"	64"	29"	<b>YUBC6429( )</b>	1,049.	1,375.	2,026.	3,466.	3,648.
	For use with 72"W, 30"D Antenna C-Leg Top	72"	70"	29"	<b>YUBC7029( )</b>	1,049.	1,375.	2,026.	3,466.	3,648.
<i>Fixed Shown</i>										
 <p>30" Deep T-Leg Bases</p>	For use with 48"W, 30" or 36"D Antenna T-Leg Top	48"	46"	29"	<b>YUBT4629( )</b>	1,025.	1,351.	2,004.	3,444.	3,624.
	For use with 54"W, 30" or 36"D Antenna T-Leg Top	54"	52"	29"	<b>YUBT5229( )</b>	1,025.	1,351.	2,004.	3,444.	3,624.
	For use with 60"W, 30" or 36"D Antenna T-Leg Top	60"	58"	29"	<b>YUBT5829( )</b>	1,025.	1,351.	2,004.	3,444.	3,624.
	For use with 66"W, 30" or 36"D Antenna T-Leg Top	66"	64"	29"	<b>YUBT6429( )</b>	1,049.	1,375.	2,026.	3,466.	3,648.
	For use with 72"W, 30" or 36"D Antenna T-Leg Top	72"	70"	29"	<b>YUBT7029( )</b>	1,049.	1,375.	2,026.	3,466.	3,648.
<i>Pin-Set Shown</i>										
 <p>C-Leg 120° Bases</p>	For use with 24"D, 27"D 120° Top	48"	46"	16"	<b>YUBY464616( )</b>	1,584.	2,074.	n/a	5,214.	5,489.
	For use with 24"D, 27"D 120° Top	54"	52"	16"	<b>YUBY525216( )</b>	1,584.	2,074.	n/a	5,214.	5,489.
	For use with 24"D, 27"D 120° Top	60"	58"	16"	<b>YUBY585816( )</b>	1,584.	2,074.	n/a	5,214.	5,489.

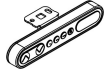
w\* = nominal width

Ordering Information	Order Code	Included With	Options
<b>C-Leg and T-Leg Bases</b> 1. Pattern Number 2. Base Type 3. Shroud Option 4. Base Finish 5. Shroud/Feet Paint Finish (optional)	<b>C-Leg and T-Leg Bases</b>  <i>Example:</i> <b>YUBC5829HS, 9005, 613</b>  <b>YUB</b> Universal Base <b>C</b> C-Leg <b>58</b> Width <b>29</b> Depth <b>H</b> Handcrank <b>S</b> Shroud <b>9005</b> Black Base Finish <b>613</b> Shroud/Feet Paint Finish	<b>C-Leg and T-Leg Bases</b> Mounting hardware Shrouds (optional)	<b>C-leg and T-Leg Bases</b>  <b>Base Type Options:</b> (F) = Fixed (27" High) (P) = Pin-Set (22" - 35" High) (H) = Handcrank (22" - 35" High) (E) = Electric (27" - 46 1/2" High) (A) = Advanced Electric (21" - 47 1/2" High)  <b>Shroud Option:</b> Add an 'S' suffix to the pattern number to specify a painted shroud for the lower leg with matching foot and add \$100 to the list price. Add an 'N' suffix to specify a leg without a shroud.  <b>Base Option:</b> (9005) Black paint (613) Silver paint (118) Bright White paint

# Legs for C-Leg and T-Leg Tables

## *Fixed Height and Height Adjustable*

description	type	w	d	h	pattern no.	list
Electric Table Memory Switch with Digital Display	For use with Electric C-Leg and T-Leg bases	5"	.75"	1"	<b>SISDDPS</b>	\$399.



Locking Casters, Set of 4	For use with C-Leg and T-Leg bases	2"	2"	1.5"	<b>SISLC4</b>	53.
---------------------------	------------------------------------	----	----	------	---------------	-----



Ordering Information	Order Code	Included With	Options
<b>C-Leg and T-Leg Bases</b>	Example: <b>SISDDPS</b>	<b>C-Leg and T-Leg Bases</b>	<b>C-Leg and T-Leg Bases</b>
1. Pattern Number	<b>SIS</b> Universal Base <b>DDPS</b> Electric Table Memory Switch with Digital Display		

# Modesty Panels for Desks or Returns

## Planning Guidelines and Specifications

Modesty panels enable full width, recessed or flush enclosure under Antenna desks, returns or bridge top applications and can also be planned for use with end panels. Modesty panels are suspended from the desktop and available in half height or full height versions. In both heights, modesty panels can be specified with or without a 1 1/4" high cord passage at the top to enable wire management or clamp-on accessories like Sapper monitor arms or desktop outlet center.

Half height modesty panels for desks start 10 1/2" above the floor, aligning with suspended files. Both modesty heights typically correspond in width to desk tops and are available in 6" wide increments from 36" to 84". Modesty panels include two or three brackets to the underside of a desktop and offset brackets to secure the inside of the panel to the back of Antenna desk and legs. Offset brackets define a 3/4" space between the inside of the panel and the back edge of the desk end legs.

When planning a desk with a modesty panel that is flush with the front edge of the top, specify standard depth desk end legs, actual depth is 3" less than the top depth. Modesty panels without a cord passage that are flush with the front edge of a desk top should not be planned in combination with Overlay tops.

When planning a modesty panel that is recessed 3" or 6" from the front edge of the top, specify legs that correspond to a top that is 3" or 6" less deep, actual leg depth is 6" or 9" less than the top depth. For example, a desk top 30" deep can be specified with 24" or 21" deep standard desk end leg to enable the modesty panel to be recessed 3" or 6" from the front edge of the top.

Modesty panels are not designed to be used in combination with table desk end legs.

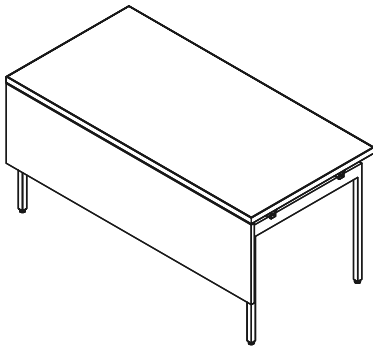
Modesty panel brackets do not deface the legs and may be added or removed without disassembling the desk.

### Construction

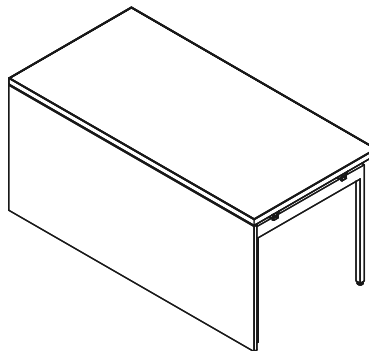
Modesty panels are 3/4" thick veneer, laminate or painted wood and include steel and cast aluminum brackets.

### Specification Options

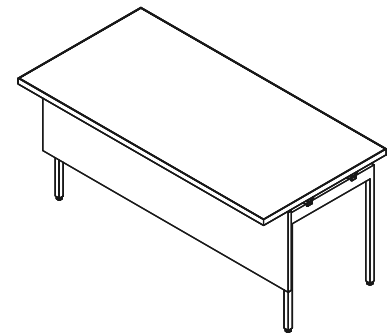
Specify modesty panels in any Knoll Core paint finish, solid and pattern laminate or veneer. Brushed Sand (122) and Brushed Grey (123) are not available on modesty panels. Specify bracket color in any Knoll Core paint finish.



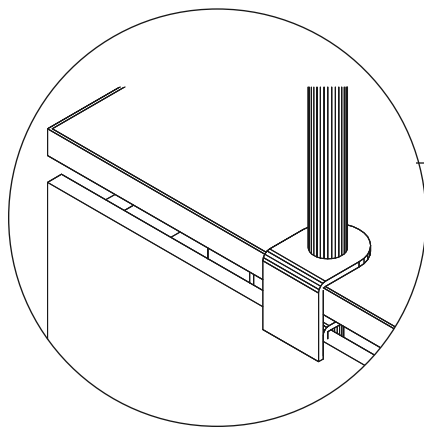
Desk with Partial Height Modesty Panel



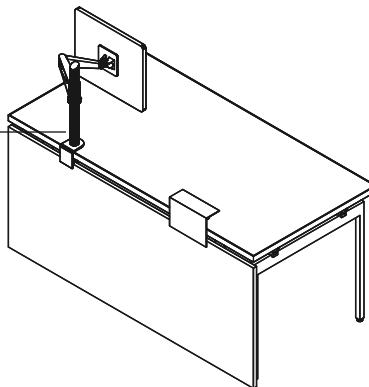
Desk with Full Height Modesty Panel



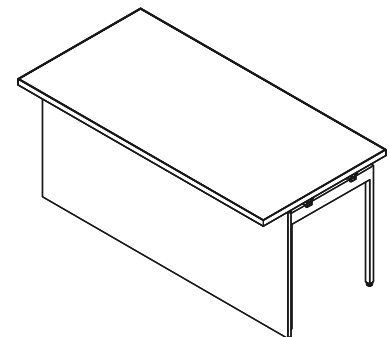
Desk with Recessed Partial Height Modesty Panel



Sapper Monitor Arm Desk Clamp with Modesty Panel Cord Passage



Desk with Full Height Modesty Panel with Cord Passage

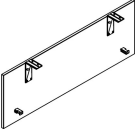


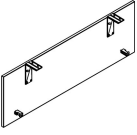
Desk with Recessed Full Height Modesty Panel

# Modesty Panels for Desks or Returns

## Half Height

### Painted, Laminate or Veneer

description	type	w	d	h	pattern no.	Painted (P)	Laminate (L)	V1 (V)	V2 (V)	V3 (V)
 Modesty Panels for Desks or Returns, Half Height	For 36" Wide Tops	36"	3/4"	16 7/8"	<b>YMP1736()</b>	\$252.	\$276.	\$603.	\$693.	\$901.
	For 42" Wide Tops	42"	3/4"	16 7/8"	<b>YMP1742()</b>	259.	282.	622.	715.	931.
	For 48" Wide Tops	48"	3/4"	16 7/8"	<b>YMP1748()</b>	264.	303.	646.	744.	967.
	For 54" Wide Tops	54"	3/4"	16 7/8"	<b>YMP1754()</b>	270.	310.	670.	771.	1,002.
	For 60" Wide Tops	60"	3/4"	16 7/8"	<b>YMP1760()</b>	317.	396.	719.	826.	1,074.
	For 66" Wide Tops	66"	3/4"	16 7/8"	<b>YMP1766()</b>	357.	436.	738.	849.	1,104.
	For 72" Wide Tops	72"	3/4"	16 7/8"	<b>YMP1772()</b>	362.	442.	758.	872.	1,134.
	For 78" Wide Tops	78"	3/4"	16 7/8"	<b>YMP1778()</b>	368.	447.	786.	905.	1,177.
	For 84" Wide Tops	84"	3/4"	16 7/8"	<b>YMP1784()</b>	373.	452.	806.	928.	1,205.

 Modesty Panels for Desks or Returns, Half Height with Cord Passage	For 36" Wide Tops	36"	3/4"	15 7/8"	<b>YMP1636()</b>	252.	276.	603.	693.	901.
	For 42" Wide Tops	42"	3/4"	15 7/8"	<b>YMP1642()</b>	259.	282.	622.	715.	931.
	For 48" Wide Tops	48"	3/4"	15 7/8"	<b>YMP1648()</b>	264.	303.	646.	744.	967.
	For 54" Wide Tops	54"	3/4"	15 7/8"	<b>YMP1654()</b>	270.	310.	670.	771.	1,002.
	For 60" Wide Tops	60"	3/4"	15 7/8"	<b>YMP1660()</b>	317.	396.	719.	826.	1,074.
	For 66" Wide Tops	66"	3/4"	15 7/8"	<b>YMP1666()</b>	357.	436.	738.	849.	1,104.
	For 72" Wide Tops	72"	3/4"	15 7/8"	<b>YMP1672()</b>	362.	442.	759.	872.	1,134.
	For 78" Wide Tops	78"	3/4"	15 7/8"	<b>YMP1678()</b>	368.	447.	786.	905.	1,177.
	For 84" Wide Tops	84"	3/4"	15 7/8"	<b>YMP1684()</b>	373.	452.	806.	928.	1,205.

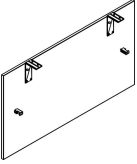
Desk and Table Support

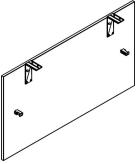
Ordering Information	Order Code	Included With	Options
<b>Modesty Panels for Desks or Returns</b> 1. Pattern Number 2. Surface Finish 3. Bracket Paint Finish	<b>Modesty Panels for Desks or Returns</b> <i>Example:</i> <b>YMP1748P, 118T, 118T</b> <b>YMP</b> Modesty Panel <b>17</b> Height <b>48</b> Width <b>P</b> Paint <b>118T</b> Bright White Paint <b>118T</b> Bright White Paint	<b>Modesty Panels for Desks or Returns</b> Attachment brackets Hardware	<b>Modesty Panels for Desks or Returns</b> <b>Finish Options:</b> (P) = Painted (L) = Laminate (V) = Veneer

# Modesty Panels for Desks or Returns

## Full Height

### Painted, Laminate or Veneer

description	type	w	d	h	pattern no.	Painted (P)	Laminate (L)	V1 (V)	V2 (V)	V3 (V)
Modesty Panels for Desks or Returns, Full Height 	For 36" Wide Tops	36"	3/4"	26 1/2"	<b>YMP2736( )</b>	\$272.	\$342.	\$673.	\$775.	\$1,007.
	For 42" Wide Tops	42"	3/4"	26 1/2"	<b>YMP2742( )</b>	281.	352.	702.	807.	1,049.
	For 48" Wide Tops	48"	3/4"	26 1/2"	<b>YMP2748( )</b>	290.	359.	738.	850.	1,105.
	For 54" Wide Tops	54"	3/4"	26 1/2"	<b>YMP2754( )</b>	298.	366.	767.	883.	1,148.
	For 60" Wide Tops	60"	3/4"	26 1/2"	<b>YMP2760( )</b>	350.	495.	832.	959.	1,246.
	For 66" Wide Tops	66"	3/4"	26 1/2"	<b>YMP2766( )</b>	392.	538.	863.	993.	1,290.
	For 72" Wide Tops	72"	3/4"	26 1/2"	<b>YMP2772( )</b>	401.	546.	891.	1,025.	1,332.
	For 78" Wide Tops	78"	3/4"	26 1/2"	<b>YMP2778( )</b>	410.	554.	929.	1,067.	1,388.
	For 84" Wide Tops	84"	3/4"	26 1/2"	<b>YMP2784( )</b>	418.	562.	957.	1,100.	1,430.

Modesty Panels for Desks or Returns, Full Height with Cord Passage 	For 36" Wide Tops	36"	3/4"	26 1/2"	<b>YMP2636( )</b>	272.	342.	673.	775.	1,007.
	For 42" Wide Tops	42"	3/4"	26 1/2"	<b>YMP2642( )</b>	281.	352.	702.	807.	1,049.
	For 48" Wide Tops	48"	3/4"	26 1/2"	<b>YMP2648( )</b>	290.	359.	738.	850.	1,105.
	For 54" Wide Tops	54"	3/4"	26 1/2"	<b>YMP2654( )</b>	298.	366.	767.	883.	1,148.
	For 60" Wide Tops	60"	3/4"	26 1/2"	<b>YMP2660( )</b>	350.	495.	832.	959.	1,246.
	For 66" Wide Tops	66"	3/4"	26 1/2"	<b>YMP2666( )</b>	392.	538.	863.	993.	1,290.
	For 72" Wide Tops	72"	3/4"	26 1/2"	<b>YMP2672( )</b>	401.	546.	891.	1,025.	1,332.
	For 78" Wide Tops	78"	3/4"	26 1/2"	<b>YMP2678( )</b>	410.	554.	929.	1,067.	1,388.
	For 84" Wide Tops	84"	3/4"	26 1/2"	<b>YMP2684( )</b>	418.	562.	957.	1,100.	1,430.

#### Ordering Information

##### Modesty Panels for Desks or Returns

1. Pattern Number
2. Surface Finish
3. Bracket Paint Finish

#### Order Code

##### Modesty Panels for Desks or Returns

*Example:* **YMP2748P, 118T, 118T**

<b>YMP</b>	Modesty Panel
<b>27</b>	Height
<b>48</b>	Width
<b>P</b>	Paint
<b>118T</b>	Bright White Paint
<b>118T</b>	Bright White Paint

#### Included With

##### Modesty Panels for Desks or Returns

Attachment brackets  
Hardware

#### Options

##### Modesty Panels for Desks or Returns

**Finish Options:**  
(P) = Painted  
(L) = Laminate  
(V) = Veneer

# Back Panels for Single Sided Big Tables

## Planning Guidelines and Specifications

Back panels provide full enclosure on the back side of a single sided big table, from the underside of the top to within an inch above the floor. Back panels are available in 6" increments of width from 48" to 84" and should be specified in the same width as the top above.

Back panels can be planned with or without single sided big table end panels.

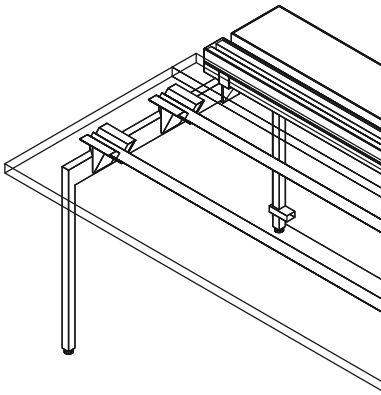
Back panel brackets do not deface the legs and may be added or removed without disassembling the big table.

### Construction

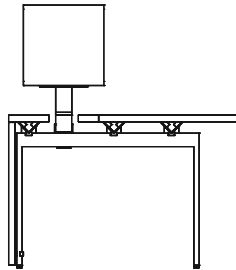
Back panels are 3/4" thick veneer, laminate or painted wood. Back panels include two or three top attachment brackets and brackets that secure the bottom of the back panel to the back of the big table end or intermediate legs. Brackets are steel and cast aluminum.

### Specification Options

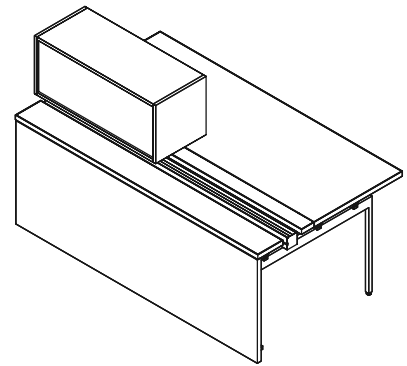
Specify back panels in any Knoll Core paint finish, solid and pattern laminate or veneer. Brushed Sand (122) and Brushed Grey (123) are not available on back panels. Specify bracket



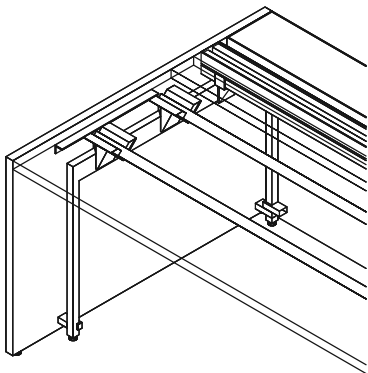
Single Sided Big Table with Back Panel



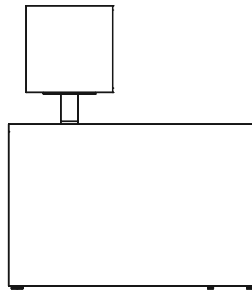
Single Sided Big Table with Back Panel End Elevation



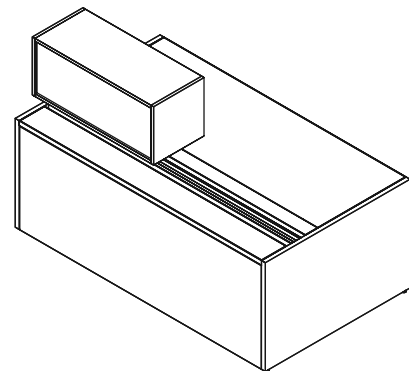
Single Sided Big Table with Back Panel



Single Sided Big Table with Back Panel and End Panel



Single Sided Big Table with Back Panel and End Panel End Elevation



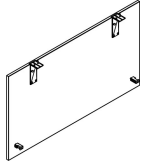
Single Sided Big Table with Back Panel and End Panel End Elevation

# Back Panels for Single Sided Big Tables

## Full Performance

### Painted, Laminate or Veneer

description	type	w	d	h	pattern no.	Painted (P)	Laminate (L)	V1 (V)	V2 (V)	V3 (V)
Back Panels for Single Sided Big Table, Full Performance	For 48" Wide Tops	48"	3/4"	27"	<b>YBPSSF2748( )</b>	\$290.	\$359.	\$738.	\$850.	\$1,105.
	For 54" Wide Tops	54"	3/4"	27"	<b>YBPSSF2754( )</b>	298.	366.	767.	883.	1,148.
	For 60" Wide Tops	60"	3/4"	27"	<b>YBPSSF2760( )</b>	350.	495.	832.	959.	1,246.
	For 66" Wide Tops	66"	3/4"	27"	<b>YBPSSF2766( )</b>	392.	538.	863.	993.	1,290.
	For 72" Wide Tops	72"	3/4"	27"	<b>YBPSSF2772( )</b>	401.	546.	891.	1,025.	1,332.
	For 78" Wide Tops	78"	3/4"	27"	<b>YBPSSF2778( )</b>	410.	554.	929.	1,067.	1,388.
	For 84" Wide Tops	84"	3/4"	27"	<b>YBPSSF2784( )</b>	418.	562.	957.	1,100.	1,430.



#### Ordering Information

##### Back Panels for Single Sided Big Tables

1. Pattern Number
2. Surface Finish
3. Bracket Paint Finish

#### Order Code

##### Back Panels for Single Sided Tables

*Example:* **YBPSSF2748P, 118T, 118T**

<b>YBP</b>	Back Panel
<b>SS</b>	Single Sided Big Table
<b>F</b>	Full Performance
<b>27</b>	Height
<b>48</b>	Width
<b>P</b>	Paint
<b>118T</b>	Bright White Paint
<b>118T</b>	Bright White Paint

#### Included With

##### Back Panels for Single Sided Big Tables

Attachment brackets  
Hardware

#### Options

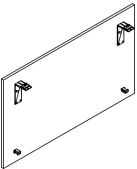
##### Back Panels for Single Sided Big Tables

**Finish Options:**  
(P) = Painted  
(L) = Laminate  
(V) = Veneer

# Back Panels for Single Sided Big Tables

## Basic

### Painted, Laminate or Veneer

description	type	w	d	h	pattern no.	Painted (P)	Laminate (L)	V1 (V)	V2 (V)	V3 (V)
	For 48" Wide Tops	48"	3/4"	27"	<b>YBPSSB2748( )</b>	\$290.	\$359.	\$738.	\$850.	\$1,105.
	For 54" Wide Tops	54"	3/4"	27"	<b>YBPSSB2754( )</b>	298.	366.	767.	883.	1,148.
	For 60" Wide Tops	60"	3/4"	27"	<b>YBPSSB2760( )</b>	350.	495.	832.	959.	1,246.
	For 66" Wide Tops	66"	3/4"	27"	<b>YBPSSB2766( )</b>	392.	538.	863.	993.	1,290.
	For 72" Wide Tops	72"	3/4"	27"	<b>YBPSSB2772( )</b>	401.	546.	891.	1,025.	1,332.
	For 78" Wide Tops	78"	3/4"	27"	<b>YBPSSB2778( )</b>	410.	554.	929.	1,067.	1,388.
	For 84" Wide Tops	84"	3/4"	27"	<b>YBPSSB2784( )</b>	418.	562.	957.	1,100.	1,430.

#### Ordering Information

##### Back Panels for Single Sided Big Tables

1. Pattern Number
2. Surface Finish
3. Bracket Paint Finish

#### Order Code

##### Back Panels for Single Sided Tables

*Example:* **YBPSSB2748P, 118T, 118T**

<b>YBP</b>	Back Panel
<b>SS</b>	Single Sided Big Table
<b>B</b>	Basic
<b>27</b>	Height
<b>48</b>	Width
<b>P</b>	Paint
<b>118T</b>	Bright White Paint
<b>118T</b>	Bright White Paint

#### Included With

##### Back Panels for Single Sided Big Tables

Attachment brackets  
Hardware

#### Options

##### Back Panels for Single Sided Big Tables

**Finish Options:**  
(P) = Painted  
(L) = Laminate  
(V) = Veneer



# End Panels

## For Desks or Returns

### Planning Guidelines and Specifications

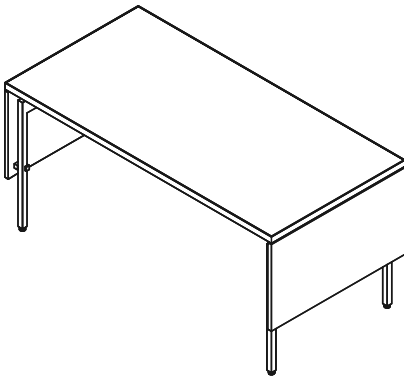
End panels for desks can be planned with modesty panels or independently to add enclosure below Antenna desk tops. End panels are added outside the standard Antenna desk structure and do not touch the floor. End panels are available in half height or full height versions.

**END PANELS DO NOT TAKE THE PLACE OF END LEGS OR PROVIDE SUPPORT.**

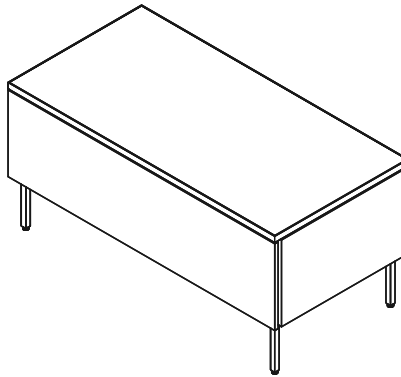
Half height versions start 10" above the floor, aligning with suspended files. In both heights, end panels can be specified with or without a 1 1/4" high cord passage at the top to enable wire management or clamp-on accessories like Sapper monitor arms or desktop power center.

End panels used independently, without a modesty panel, are full depth to match desk tops 18", 24", 27", 30" or 36" deep.

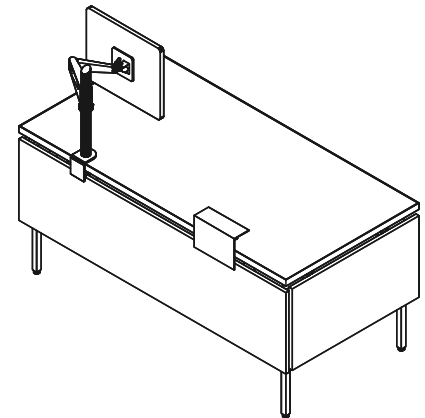
End panels for Antenna desks with modesty enclose the end of a desk in combination with a modesty panel. End panels for use in combination with an overlapping modesty panel are 1 1/2" less deep than the standard top depth. End panels are designed to be flush with the end and front edge of a desk top and align with the back edge of the desk end leg.



Desk with Partial Height End Panel

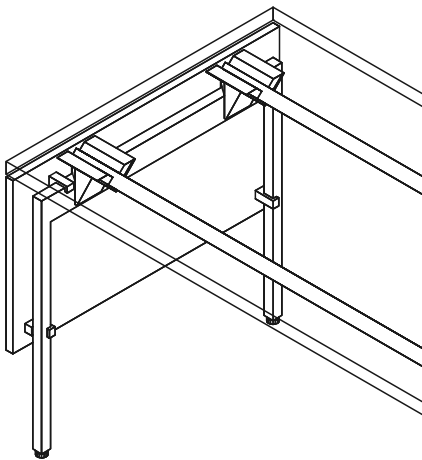


Desk with Partial Height End and Modesty Panel

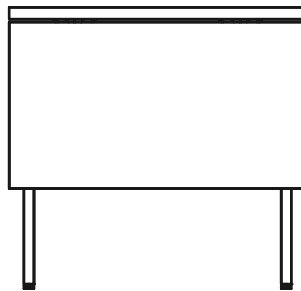


Desk with Partial Height End and Modesty Panel with Cord Passage

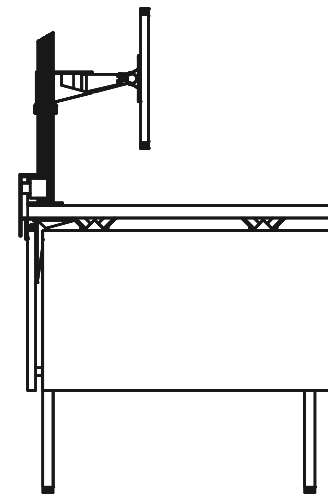
Desk and Table Support



Desk with Partial Height End Panel



Desk with Partial Height End Panel Elevation



Desk with Partial Height End and Modesty Panel with Cord Passage Elevation

# End Panels

## For Desks or Returns

### Planning Guidelines and Specifications

End panels include two brackets over the top of an adjacent end leg and offset brackets to secure the inside of the panel to the side of the leg. Offset brackets define a 3/4" space between the end panel and the side of the desk end legs. When installed together there is a 3/4" reveal between the end panel and the inside of the modesty. End panels require a standard desk end leg positioned 1 1/2" from end of desk top for support.

Because of crisp edge details, desk end panels should not be planned in combination with radius corner Overlay tops, but can be planned with crisp corner "Benching" type Overlay tops.

End panels are not designed to be used in combination with table desk end legs.

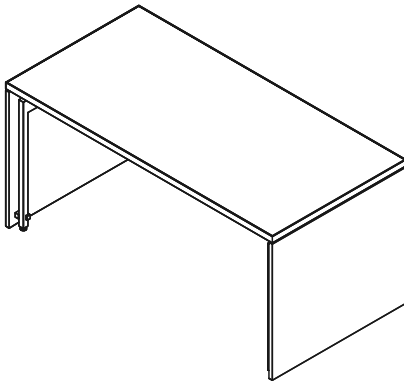
End panel brackets do not deface the legs and may be added or removed without disassembling the desk.

#### Construction

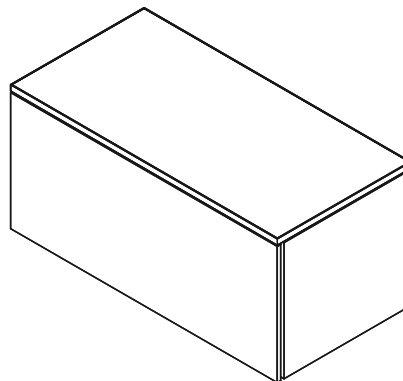
End panels are 3/4" thick veneer, laminate, or painted wood and include steel and cast aluminum brackets.

#### Specification Options

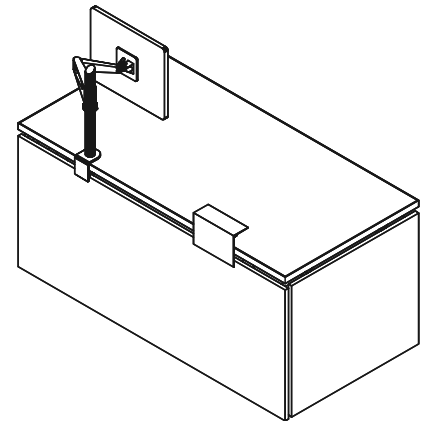
Specify end panels in any Knoll Core paint finish, solid and pattern laminate or veneer. Brushed Sand (122) and Brushed Grey (123) are not available on end panels 60" and wider. Also, specify bracket color in any Knoll Core paint finish.



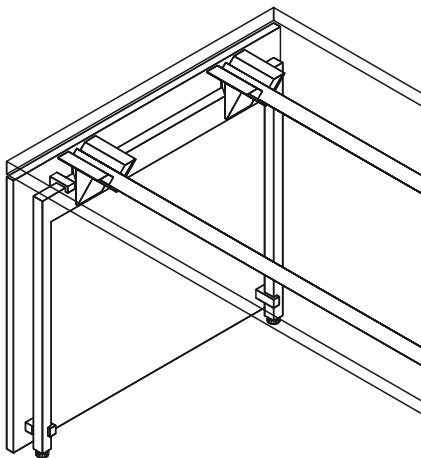
Desk with Full Height End Panel



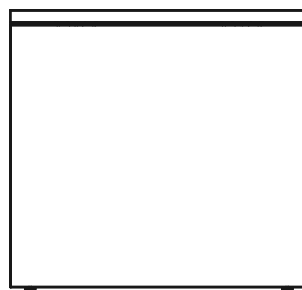
Desk with Full Height End and Modesty Panel



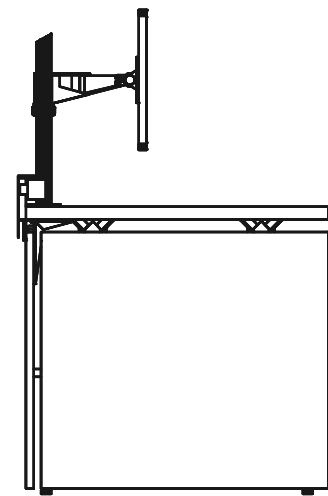
Desk with Full Height End and Modesty Panel with Cord Passage



Desk with Full Height End Panel



Desk with Full Height End Panel Elevation

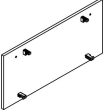


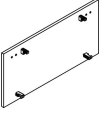
Desk with Full Height End and Modesty Panel with Cord Passage Elevation

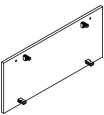
# End Panels

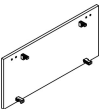
## Half Height for Desks or Returns

### Painted, Laminate or Veneer

description	type	w	d	h	pattern no.	Painted (P)	Laminate (L)	V1 (V)	V2 (V)	V3 (V)
 End Panels for Desks or Returns, Half Height	For 18" Deep Tops	18"	3/4"	16 7/8"	<b>YEP1718()</b>	\$181.	\$178.	\$529.	\$608.	\$791.
	For 24" Deep Tops	24"	3/4"	16 7/8"	<b>YEP1724()</b>	187.	188.	557.	641.	832.
	For 27" Deep Tops	27"	3/4"	16 7/8"	<b>YEP1727()</b>	190.	191.	574.	660.	858.
	For 30" Deep Tops	30"	3/4"	16 7/8"	<b>YEP1730()</b>	193.	207.	582.	669.	870.
	For 36" Deep Tops	36"	3/4"	16 7/8"	<b>YEP1736()</b>	199.	221.	602.	692.	899.

 End Panels for Desks or Returns, Half Height for use with Modesty Panels	For 18" Deep Tops	16 1/2"	3/4"	16 7/8"	<b>YEP1717()</b>	181.	178.	536.	616.	801.
	For 24" Deep Tops	22 1/2"	3/4"	16 7/8"	<b>YEP1723()</b>	187.	188.	555.	639.	829.
	For 27" Deep Tops	25 1/2"	3/4"	16 7/8"	<b>YEP1726()</b>	191.	192.	575.	661.	859.
	For 30" Deep Tops	28 1/2"	3/4"	16 7/8"	<b>YEP1729()</b>	193.	194.	588.	676.	882.
	For 36" Deep Tops	34 1/2"	3/4"	16 7/8"	<b>YEP1735()</b>	199.	221.	608.	699.	909.

 End Panels for Desks or Returns, Half Height with Cord Passage	For 18" Deep Tops	18"	3/4"	15 7/8"	<b>YEP1618()</b>	181.	178.	529.	608.	791.
	For 24" Deep Tops	24"	3/4"	15 7/8"	<b>YEP1624()</b>	187.	188.	557.	641.	832.
	For 27" Deep Tops	27"	3/4"	15 7/8"	<b>YEP1627()</b>	190.	191.	574.	660.	858.
	For 30" Deep Tops	30"	3/4"	15 7/8"	<b>YEP1630()</b>	193.	207.	582.	669.	870.
	For 36" Deep Tops	36"	3/4"	15 7/8"	<b>YEP1636()</b>	199.	221.	602.	692.	899.

 End Panels for Desks or Returns, Half Height with Modesty Panels	For 18" Deep Tops	16 1/2"	3/4"	15 7/8"	<b>YEP1617()</b>	181.	178.	536.	616.	801.
	For 24" Deep Tops	22 1/2"	3/4"	15 7/8"	<b>YEP1623()</b>	187.	188.	555.	639.	829.
	For 27" Deep Tops	25 1/2"	3/4"	15 7/8"	<b>YEP1626()</b>	191.	192.	575.	661.	859.
	For 30" Deep Tops	28 1/2"	3/4"	15 7/8"	<b>YEP1629()</b>	193.	194.	588.	676.	882.
	For 36" Deep Tops	34 1/2"	3/4"	15 7/8"	<b>YEP1635()</b>	199.	221.	608.	699.	909.

#### Ordering Information

#### End Panels for Desks or Returns

1. Pattern Number
2. Surface Finish
3. Bracket Paint Finish

#### Order Code

#### End Panels for Desks or Returns

*Example:* **YEP1724P, 118T, 118T**

<b>YEP</b>	End Panel
<b>17</b>	Height
<b>24</b>	Width
<b>P</b>	Paint
<b>118T</b>	Bright White Paint
<b>118T</b>	Bright White Paint

#### Included With

**End Panels for Desks or Returns**  
Attachment brackets  
Hardware

#### Options

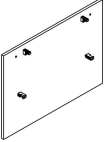
#### End Panels for Desks or Returns

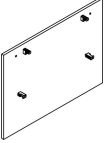
**Finish Options:**  
(P) = Painted  
(L) = Laminate  
(V) = Veneer

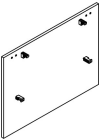
# End Panels

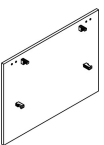
## Full Height for Desks or Returns

### Painted, Laminate or Veneer

description	type	w	d	h	pattern no.	Painted (P)	Laminate (L)	V1 (V)	V2 (V)	V3 (V)
End Panels for Desks or Returns, Full Height 	For 18" Deep Tops	18"	3/4"	26 1/2"	<b>YEP2718( )</b>	\$191.	\$205.	\$567.	\$653.	\$849.
	For 24" Deep Tops	24"	3/4"	26 1/2"	<b>YEP2724( )</b>	200.	220.	605.	696.	906.
	For 27" Deep Tops	27"	3/4"	26 1/2"	<b>YEP2727( )</b>	204.	224.	618.	711.	927.
	For 30" Deep Tops	30"	3/4"	26 7/8"	<b>YEP2730( )</b>	208.	246.	644.	740.	963.
	For 36" Deep Tops	36"	3/4"	26 1/2"	<b>YEP2736( )</b>	217.	253.	671.	774.	1,005.

End Panels for Desks or Returns, Full Height for use with Modesty Panels 	For 18" Deep Tops	16 1/2"	3/4"	26 1/2"	<b>YEP2717( )</b>	191.	205.	573.	659.	855.
	For 24" Deep Tops	22 1/2"	3/4"	26 1/2"	<b>YEP2723( )</b>	200.	213.	601.	691.	898.
	For 27" Deep Tops	25 1/2"	3/4"	26 1/2"	<b>YEP2726( )</b>	204.	224.	624.	719.	935.
	For 30" Deep Tops	28 1/2"	3/4"	26 1/2"	<b>YEP2729( )</b>	208.	229.	639.	734.	955.
	For 36" Deep Tops	34 1/2"	3/4"	26 1/2"	<b>YEP2735( )</b>	217.	273.	669.	770.	1,000.

End Panels for Desks or Returns, Full Height with Cord Passage 	For 18" Deep Tops	18"	3/4"	25 1/2"	<b>YEP2618( )</b>	191.	205.	567.	653.	849.
	For 24" Deep Tops	24"	3/4"	25 1/2"	<b>YEP2624( )</b>	200.	220.	605.	696.	906.
	For 27" Deep Tops	27"	3/4"	25 1/2"	<b>YEP2627( )</b>	204.	224.	618.	711.	927.
	For 30" Deep Tops	30"	3/4"	25 1/2"	<b>YEP2630( )</b>	208.	246.	644.	740.	963.
	For 36" Deep Tops	36"	3/4"	25 1/2"	<b>YEP2636( )</b>	217.	253.	675.	774.	1,005.

End Panels for Desks or Returns, Full Height with Cord Passage for use with Modesty Panels 	For 18" Deep Tops	16 1/2"	3/4"	25 1/2"	<b>YEP2617( )</b>	191.	205.	573.	659.	855.
	For 24" Deep Tops	22 1/2"	3/4"	25 1/2"	<b>YEP2623( )</b>	200.	213.	601.	691.	898.
	For 27" Deep Tops	25 1/2"	3/4"	25 1/2"	<b>YEP2626( )</b>	204.	224.	624.	719.	935.
	For 29" Deep Tops	28 1/2"	3/4"	25 1/2"	<b>YEP2629( )</b>	208.	229.	639.	734.	955.
	For 36" Deep Tops	34 1/2"	3/4"	25 1/2"	<b>YEP2635( )</b>	217.	273.	669.	770.	1,000.

#### Ordering Information

#### End Panels for Desks or Returns

1. Pattern Number
2. Surface Finish
3. Bracket Paint Finish

#### Order Code

#### End Panels for Desks or Returns

<i>Example:</i> <b>YEP2724P, 118T, 118T</b>	
<b>YEP</b>	End Panel
<b>27</b>	Height
<b>24</b>	Width
<b>P</b>	Paint
<b>118T</b>	Bright White Paint
<b>118T</b>	Bright White Paint

#### Included With

End Panels for Desks or Returns  
Attachment brackets  
Hardware

#### Options

#### End Panels for Desks or Returns

**Finish Options:**  
(P) = Painted  
(L) = Laminate  
(V) = Veneer

# End Panels

## For Back to Back Desks

### Planning Guidelines and Specifications

End panels are also available in widths to enclose the end of back-to-back desks, which sit below the front edges of both tops. End panels are added outside the standard Antenna desk structure and do not touch the floor.

**END PANELS DO NOT TAKE THE PLACE OF END LEGS OR PROVIDE SUPPORT.**

End panels are available in half height or full height versions. Half height versions start 10" above the floor, aligning with suspended files.

End panels are full depth to match back-to-back desks using 18", 24", 27", 30" or 36" deep tops. Overall depths equal 40", 52", 58" and 64".

End panels include two brackets over the top of an adjacent end leg and offset brackets to secure the inside of the panel to the side of the leg. Offset brackets define a 3/4" space between the end panel and the side of the desk end legs.

End panels require a standard back-to-back desk end leg positioned 1 1/2" from end of desk top for support.

Because of crisp edge details, desk end panels should not be planned in combination with radius corner Overlay tops, but can be planned with crisp corner "Benching" type Overlay tops.

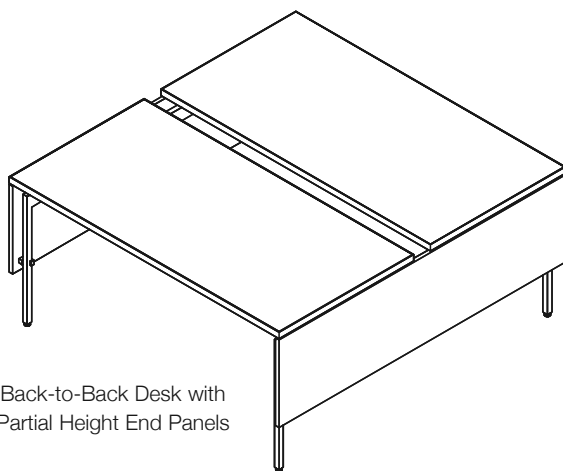
End panel brackets do not deface the legs and may be added or removed without disassembling the desk.

**Construction**

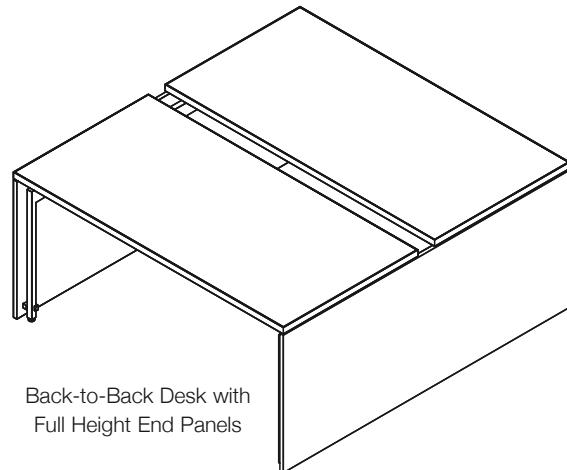
End panels are 3/4" thick veneer, laminate, or painted wood and include steel and cast aluminum brackets.

**Specification Options**

Specify end panels in any Knoll Core paint finish, solid and pattern laminate or veneer. Brushed Sand (122) and Brushed Grey (123) are not available on end panels 60" and wider. Also, specify bracket color in any Knoll Core paint finish.



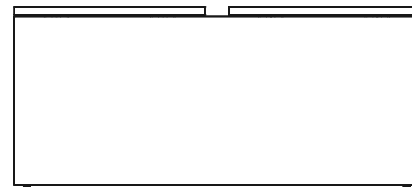
Back-to-Back Desk with Partial Height End Panels



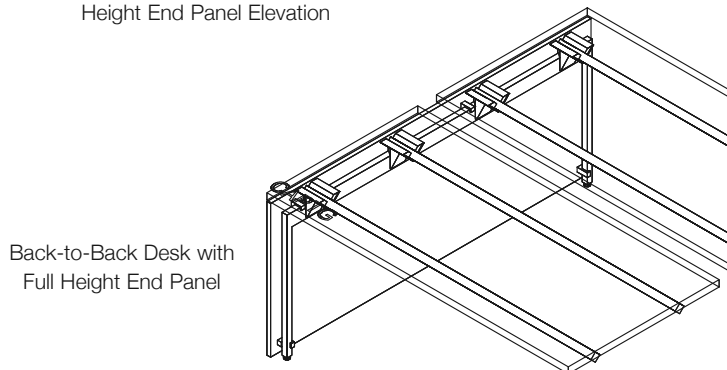
Back-to-Back Desk with Full Height End Panels



Back-to-Back Desk with Partial Height End Panel Elevation



Back-to-Back Desk with Full Height End Panel Elevation

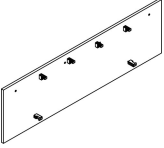


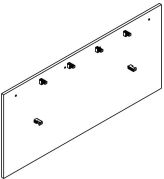
Back-to-Back Desk with Full Height End Panel

# End Panels

## For Back to Back Desks

### Painted, Laminate or Veneer

description	type	w	d	h	pattern no.	Painted (P)	Laminate (L)	V1 (V)	V2 (V)	V3 (V)
End Panels for Back to Back Desks, Half Height 	For 18" Deep Back to Back Tops	39 <sup>3</sup> / <sub>4</sub> "	<sup>3</sup> / <sub>4</sub> "	16 <sup>7</sup> / <sub>8</sub> "	<b>YEP1740( )</b>	\$259.	\$259.	\$627.	\$722.	\$938.
	For 24" Deep Back to Back Tops	51 <sup>3</sup> / <sub>4</sub> "	<sup>3</sup> / <sub>4</sub> "	16 <sup>7</sup> / <sub>8</sub> "	<b>YEP1752( )</b>	270.	285.	673.	776.	1,008.
	For 27" Deep Back to Back Tops	57 <sup>3</sup> / <sub>4</sub> "	<sup>3</sup> / <sub>4</sub> "	16 <sup>7</sup> / <sub>8</sub> "	<b>YEP1758( )</b>	275.	291.	694.	797.	1,037.
	For 30" Deep Back to Back Tops	63 <sup>3</sup> / <sub>4</sub> "	<sup>3</sup> / <sub>4</sub> "	16 <sup>7</sup> / <sub>8</sub> "	<b>YEP1764( )</b>	281.	365.	741.	853.	1,109.
	For 36" Deep Back to Back Tops	75 <sup>3</sup> / <sub>4</sub> "	<sup>3</sup> / <sub>4</sub> "	16 <sup>7</sup> / <sub>8</sub> "	<b>YEP1776( )</b>	292.	377.	780.	897.	1,164.

End Panels for Back to Back Desks, Full Height 	For 18" Deep Back to Back Tops	39 <sup>3</sup> / <sub>4</sub> "	<sup>3</sup> / <sub>4</sub> "	25 <sup>7</sup> / <sub>8</sub> "	<b>YEP2640( )</b>	280.	312.	702.	807.	1,049.
	For 24" Deep Back to Back Tops	51 <sup>3</sup> / <sub>4</sub> "	<sup>3</sup> / <sub>4</sub> "	25 <sup>7</sup> / <sub>8</sub> "	<b>YEP2652( )</b>	297.	341.	767.	884.	1,148.
	For 27" Deep Back to Back Tops	57 <sup>3</sup> / <sub>4</sub> "	<sup>3</sup> / <sub>4</sub> "	25 <sup>7</sup> / <sub>8</sub> "	<b>YEP2658( )</b>	306.	352.	796.	915.	1,190.
	For 30" Deep Back to Back Tops	63 <sup>3</sup> / <sub>4</sub> "	<sup>3</sup> / <sub>4</sub> "	25 <sup>7</sup> / <sub>8</sub> "	<b>YEP2664( )</b>	315.	378.	853.	981.	1,276.
	For 36" Deep Back to Back Tops	75 <sup>3</sup> / <sub>4</sub> "	<sup>3</sup> / <sub>4</sub> "	25 <sup>7</sup> / <sub>8</sub> "	<b>YEP2676( )</b>	333.	480.	918.	1,057.	1,374.

#### Ordering Information

#### End Panels for Back to Back Desks

1. Pattern Number
2. Surface Finish
3. Bracket Paint Finish

#### Order Code

#### End Panels for Back to Back Desks

*Example:* **YEP1752P, 118T, 118T**

<b>YEP</b>	End Panel
<b>17</b>	Height
<b>52</b>	Width
<b>P</b>	Paint
<b>118T</b>	Bright White Paint
<b>118T</b>	Bright White Paint

#### Included With

#### End Panels for Back to Back Desks

Attachment brackets  
Hardware

#### Options

#### End Panels for Back to Back Desks

**Finish Options:**  
(P) = Painted  
(L) = Laminate  
(V) = Veneer

# End Panels

## For Dual Big Tables

### Planning Guidelines and Specifications

End panels are also available in widths to enclose the end of dual and single sided big tables, which align with the end of the desk and the front edges of the tops. End panels are added outside the standard Antenna desk structure, which adds 2 1/2" to the overall width of the big table.

**End panels do not take the place of end legs or provide table support.**

End panels for big table enclose the end of a big table, from the floor up to the top of the desk tops and center beam. End panels do not take the place of end legs or provide support; they simply attach to the outside of big table end legs. End panels serve the same purpose as center beam end caps, so end caps do not need to be specified.

End panels are full depth to match dual sided big tables using 18", 24", 27", 30" or 36" deep tops on either side of a center beam. Single sided big tables include a full depth 18", 24", 27", 30" or 36" deep top on the primary side of the center beam and a 7 1/2" deep top on the back side of the center beam. End panels are available full depth to match the depth of single sided big tables. Big table end panels are 28 1/2" high, so the top of the end panel is flush with the desk top.

End panels include two leveling glides and brackets for attachment to the adjacent tops and big table end leg. An end panel uses two brackets for attachment over the top of an adjacent end leg and offset brackets to secure the inside of the panel to the side of the leg.

End panels require a standard big table end leg positioned 1 1/2" from end of desk top for support.

Because of crisp edge details, big end panels should not be planned in combination with radius corner Overlay tops, but can be planned with crisp corner "Benching" type Overlay tops.

End panel brackets do not deface the legs and may be added or removed without disassembling the desk.

**Construction**

End panels are 1 1/8" thick veneer, laminate or painted wood and include steel and cast aluminum brackets.

**Specification Options**

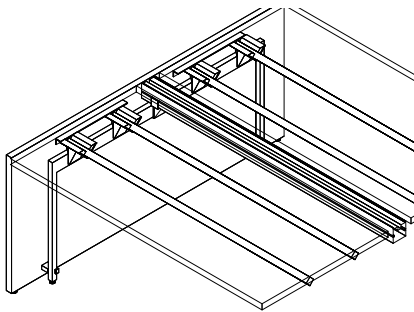
Specify end panels in any Knoll Core paint finish, solid and pattern laminate or veneer. Brushed Sand (122) and Brushed Grey (123) are not available on end panels 60" and wider. Also, specify brackets in any Knoll Core paint finish.



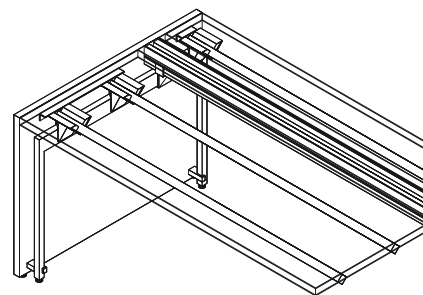
Dual Sided Big Table with End Panels Elevation



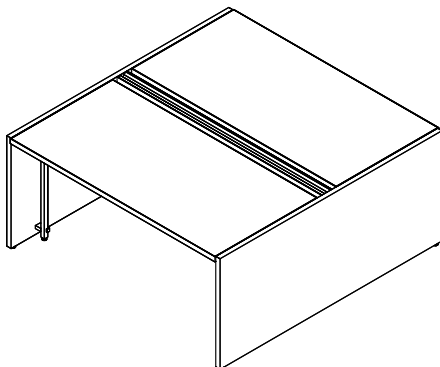
Single Sided Big Table with End Panels End Elevation



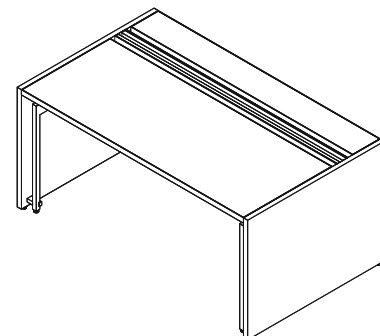
Dual Sided Big Table with End Panels Detail



Single Sided Big Table with End Panels Detail



Dual Sided Big Table with End Panels



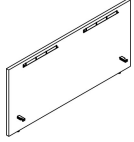
Single Sided Big Table with End Panels

# End Panels

## For Dual Big Tables

### Painted, Laminate or Veneer

description	type	w	d	h	pattern no.	Painted (P)	Laminate (L)	V1 (V)	V2 (V)	V3 (V)
End Panels for Dual Sided Big Tables, Full Height	For 18"D Dual Sided Big Tables	41 1/2"	1 1/8"	28 1/2"	<b>YEP2841</b>	\$375.	\$378.	\$725.	\$832.	\$1,083.
	For 24"D Dual Sided Big Tables	53 1/2"	1 1/8"	28 1/2"	<b>YEP2853</b>	424.	432.	850.	977.	1,270.
	For 27"D Dual Sided Big Tables	59 1/2"	1 1/8"	28 1/2"	<b>YEP2859</b>	441.	463.	883.	1,014.	1,317.
	For 30"D Dual Sided Big Tables	65 1/2"	1 1/8"	28 1/2"	<b>YEP2865</b>	457.	475.	926.	1,063.	1,382.
	For 36"D Dual Sided Big Tables	77 1/2"	1 1/8"	28 1/2"	<b>YEP2877</b>	492.	593.	947.	1,090.	1,471.



#### Ordering Information

##### End Panels For Big Tables

1. Pattern Number
2. Surface Finish
3. Bracket Finish

#### Order Code

##### End Panels For Big Tables

*Example:* **YEP2853P, 118T, 118T**

**YEP** End Panel

**28** Height

**53** Width

**118T** Bright White Paint

**118T** Bright White Paint

#### Included With

##### End Panels For Big Tables

Attachment brackets  
Hardware

#### Options

##### End Panels For Big Tables

##### Finish Options:

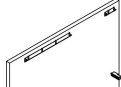
(P) = Painted  
(L) = Laminate  
(V) = Veneer

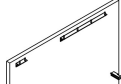


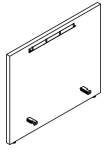
# End Panels

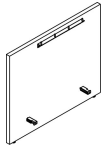
## For Single Sided Big Tables

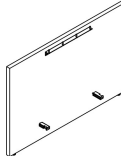
### Painted, Laminate or Veneer

description	type	w	d	h	pattern no.	Painted (P)	Laminate (L)	V1 (V)	V2 (V)	V3 (V)
 End Panels for Single Sided Big Tables, Full Performance, Left Hand	For 18"D Single Sided Big Tables	31"	1 1/8"	28 1/2"	<b>YEPSSF2831L</b>	\$354.	\$357.	\$699.	\$805.	\$1,047.
	For 24"D Single Sided Big Tables	37"	1 1/8"	28 1/2"	<b>YEPSSF2837L</b>	370.	377.	733.	843.	1,095.
	For 27"D Single Sided Big Tables	40"	1 1/8"	28 1/2"	<b>YEPSSF2840L</b>	377.	383.	749.	861.	1,118.
	For 30"D Single Sided Big Tables	43"	1 1/8"	28 1/2"	<b>YEPSSF2843L</b>	385.	387.	766.	881.	1,145.
	For 36"D Single Sided Big Tables	49"	1 1/8"	28 1/2"	<b>YEPSSF2849L</b>	402.	415.	809.	931.	1,208.

 End Panels for Single Sided Big Tables, Full Performance, Right Hand	For 18"D Single Sided Big Tables	31"	1 1/8"	28 1/2"	<b>YEPSSF2831R</b>	354.	357.	699.	805.	1,047.
	For 24"D Single Sided Big Tables	37"	1 1/8"	28 1/2"	<b>YEPSSF2837R</b>	370.	377.	733.	843.	1,095.
	For 27"D Single Sided Big Tables	40"	1 1/8"	28 1/2"	<b>YEPSSF2840R</b>	377.	383.	749.	861.	1,118.
	For 30"D Single Sided Big Tables	43"	1 1/8"	28 1/2"	<b>YEPSSF2843R</b>	385.	387.	766.	882.	1,145.
	For 36"D Single Sided Big Tables	49"	1 1/8"	28 1/2"	<b>YEPSSF2849R</b>	402.	415.	809.	931.	1,208.

 End Panels for Single Sided Big Tables, Basic, Left Hand	For 18"D Single Sided Big Tables	24 1/4"	1 1/8"	28 1/2"	<b>YEP2SSB2825L</b>	433.	424.	780.	843.	1,141.
	For 24"D Single Sided Big Tables	30 1/4"	1 1/8"	28 1/2"	<b>YEP2SSB2831L</b>	364.	350.	779.	850.	1,205.
	For 27"D Single Sided Big Tables	33 1/4"	1 1/8"	28 1/2"	<b>YEP2SSB2834L</b>	373.	356.	792.	868.	1,253.
	For 30"D Single Sided Big Tables	36 1/4"	1 1/8"	28 1/2"	<b>YEP2SSB2837L</b>	383.	369.	808.	887.	1,301.

 End Panels for Single Sided Big Tables, Basic, Right Hand	For 18"D Single Sided Big Tables	24 1/4"	1 1/8"	28 1/2"	<b>YEP2SSB2825R</b>	433.	424.	780.	843.	1,141.
	For 24"D Single Sided Big Tables	30 1/4"	1 1/8"	28 1/2"	<b>YEP2SSB2831R</b>	364.	350.	779.	850.	1,205.
	For 27"D Single Sided Big Tables	33 1/4"	1 1/8"	28 1/2"	<b>YEP2SSB2834R</b>	373.	356.	792.	868.	1,253.
	For 30"D Single Sided Big Tables	36 1/4"	1 1/8"	28 1/2"	<b>YEP2SSB2837R</b>	383.	369.	808.	887.	1,301.

 End Panels for Single Sided Big Tables, Basic, Non-handed	For 36"D Single Sided Big Tables	42 1/4"	1 1/8"	28 1/2"	<b>YEP2SSB2843</b>	402.	403.	835.	924.	1,397.
---	----------------------------------	---------	--------	---------	--------------------	------	------	------	------	--------

Desk and Table Support

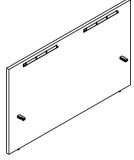
Ordering Information	Order Code	Included With	Options
<b>End Panels For Big Tables</b> 1. Pattern Number 2. Surface Finish 3. Bracket Finish	<b>End Panels For Big Tables</b> <i>Example:</i> <b>YEP2853P, 118T, 118T</b> <b>YEP</b> End Panel <b>28</b> Height <b>53</b> Width <b>118T</b> Bright White Paint <b>118T</b> Bright White Paint	<b>End Panels For Big Tables</b> Attachment brackets Hardware	<b>End Panels For Big Tables</b> <b>Finish Options:</b> (P) = Painted (L) = Laminate (V) = Veneer

# End Panels

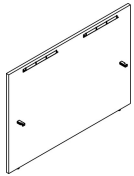
## For Standing Height Dual Big Tables

### Laminate or Veneer

description	type	w	d	h	pattern no.	Painted (P)	Laminate (L)	V1 (V)	V2 (V)	V3 (V)
End Panels for Standing Height Dual Sided Big Tables 36"H	For 18"D Dual Sided Big Tables	41 1/2"	1 1/8"	36 1/2"	<b>YEPH3641</b>	\$470.	\$506.	\$942.	\$1,048.	\$1,614.
	For 24"D Dual Sided Big Tables	53 1/2"	1 1/8"	36 1/2"	<b>YEPH3653</b>	520.	544.	1,015.	1,144.	1,853.
	For 27"D Dual Sided Big Tables	59 1/2"	1 1/8"	36 1/2"	<b>YEPH3659</b>	543.	700.	1,103.	1,243.	2,025.
	For 30"D Dual Sided Big Tables	65 1/2"	1 1/8"	36 1/2"	<b>YEPH3665</b>	568.	716.	1,139.	1,290.	2,145.



End Panels for Standing Height Dual Sided Big Tables 42"H	For 24"D Dual Sided Big Tables	53 1/2"	1 1/8"	42"	<b>YEPT4253</b>	554.	642.	1,115.	1,261.	2,067.
	For 27"D Dual Sided Big Tables	59 1/2"	1 1/8"	42"	<b>YEPT4259</b>	581.	724.	1,155.	1,313.	2,204.
	For 30"D Dual Sided Big Tables	65 1/2"	1 1/8"	42"	<b>YEPT4265</b>	610.	740.	1,207.	1,380.	2,350.



#### Ordering Information

##### End Panels For Big Tables

1. Pattern Number
2. Surface Finish
3. Bracket Finish

#### Order Code

##### End Panels For Big Tables

*Example:* **YEP2853P, 118T, 118T**

**YEP** End Panel

**28** Height

**53** Width

**118T** Bright White Paint

**118T** Bright White Paint

#### Included With

##### End Panels For Big Tables

Attachment brackets  
Hardware

#### Options

##### End Panels For Big Tables

##### Finish Options:

(P) = Painted  
(L) = Laminate  
(V) = Veneer

# Enclave End Panels

## For Dual Sided Big Tables

### Planning Guidelines and Specifications

Enclave end panels enclose the end of dual sided big tables from the floor to a 42" or 49" horizon to align with center screens, or 56"h, tall enough to enclose the back of a large TV.

**End panels do not take the place of end legs or provide table support.**

Video displays cannot be mounted directly to Antenna Screens, Interpole Screens or Media Enclave End Panels.

Center beam end cap is not required.

End panels are full depth to match dual sided big tables with 18", 24", 27", 30" or 36" deep tops on either side of a center beam.

End panels include two leveling glides and brackets for attachment to the adjacent tops and fixed height big table end leg.

End panels require a standard big table end leg positioned 1 1/2" from end of desk top for support.

Enclave end panels can be planned in combination with standard Antenna or Overlay tops.

End panel brackets do not deface the legs and may be added or removed without disassembling the desk.

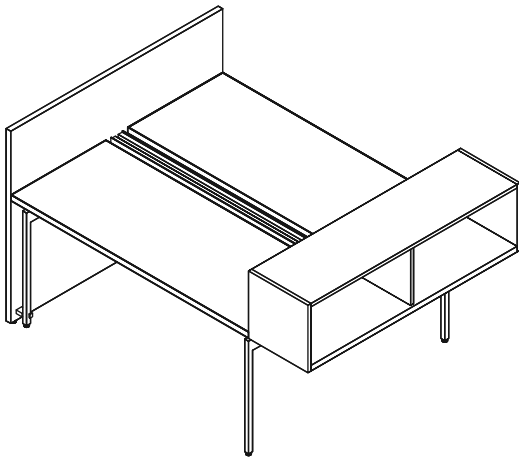
**Construction**

End panels are 1 1/8" thick laminate or veneer and include steel brackets to the tops and cast aluminum brackets to the leg.

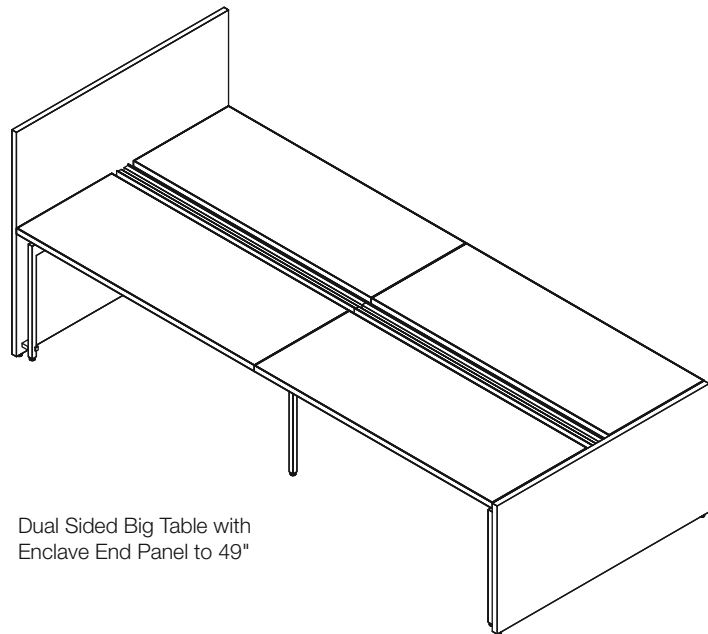
Veneer end panels 48" and taller are in two pieces with centered vertical seam and additional steel stiffener bracket.

**Specification Options**

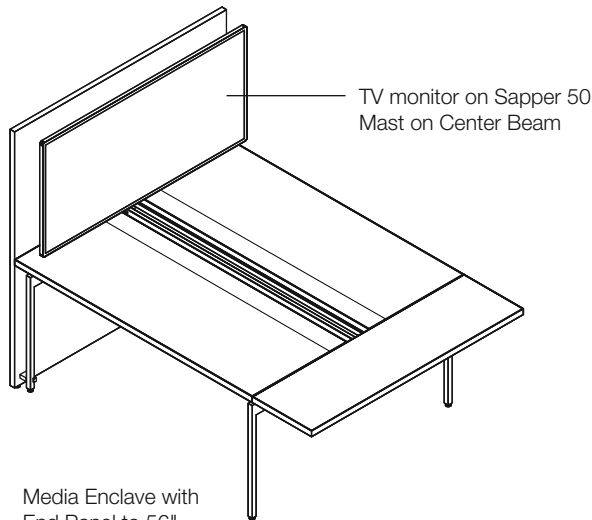
Specify end panels in any Knoll Core, solid and pattern laminate or veneer. Brushed Sand (122) and Brushed Grey (123) are not available on end panels 60" and wider. Specify brackets in any Knoll Core paint finish.



Dual Sided Big Table with Enclave End Panel to 42"



Dual Sided Big Table with Enclave End Panel to 49"



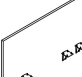
Media Enclave with End Panel to 56"

TV monitor on Sapper 50 Mast on Center Beam


# Enclave End Panels

## For Dual Sided Big Tables

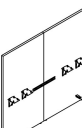
### Laminate or Veneer

description	type	w	d	h	pattern no.	Laminate		V1 (V)	V2 (V)	V3 (V)
						(L)	(LM)			
	For 24" D Dual Sided Big Table	53 1/2"	1 1/8"	42"	<b>YEP4253( )</b>	\$812.	\$812.	\$1,029.	\$1,183.	\$2,010.
	For 27" D Dual Sided Big Table	59 1/2"	1 1/8"	42"	<b>YEP4259( )</b>	1,300.	1,300.	1,453.	1,672.	2,843.
	For 30" D Dual Sided Big Table	65 1/2"	1 1/8"	42"	<b>YEP4265( )</b>	1,321.	1,321.	1,480.	1,702.	2,893.
	For 36" D Dual Sided Big Table	77 1/2"	1 1/8"	42"	<b>YEP4277( )</b>	1,353.	1,353.	1,554.	1,788.	3,039.

(YEP5659(L/V) shown)

	For 24" D Dual Sided Big Table	53 1/2"	1 1/8"	49"	<b>YEP4953( )</b>	838.	1,061.	1,512.	1,739.	2,954.
	For 27" D Dual Sided Big Table	59 1/2"	1 1/8"	49"	<b>YEP4959( )</b>	1,326.	1,326.	1,734.	1,995.	3,390.
	For 30" D Dual Sided Big Table	65 1/2"	1 1/8"	49"	<b>YEP4965( )</b>	1,347.	1,347.	1,793.	2,063.	3,507.
	For 36" D Dual Sided Big Table	77 1/2"	1 1/8"	49"	<b>YEP4977( )</b>	1,390.	1,390.	1,904.	2,190.	3,724.

(YEP5659V shown)

	For 24" D Dual Sided Big Table	53 1/2"	1 1/8"	56"	<b>YEP5653( )</b>	865.	1,088.	1,746.	2,005.	3,405.
	For 27" D Dual Sided Big Table	59 1/2"	1 1/8"	56"	<b>YEP5659( )</b>	1,358.	1,358.	1,824.	2,100.	3,570.
	For 30" D Dual Sided Big Table	65 1/2"	1 1/8"	56"	<b>YEP5665( )</b>	1,380.	1,380.	1,883.	2,164.	3,681.

(YEP5659V shown)

#### Ordering Information

##### Enclave End Panels For Big Tables

1. Pattern Number
2. Surface Finish
3. Bracket Finish

#### Order Code

##### Enclave End Panels For Big Tables

*Example:* **YEP5653L, M, 118T**

**YEP** Enclave End Panel

**56** Height

**53** Width

**L** Laminate

**M** Markerboard

**118T** Bright White Paint

#### Included With

##### Enclave End Panels For Big Tables

Attachment brackets  
Hardware

#### Options

##### Enclave End Panels For Big Tables

#### Finish Options:

(L) = Laminate  
(V) = Veneer

**Installation Gauge**

The installation gauge is a tool used to help create accurate, consistent Antenna Workspaces installations. The tool can be used in four different ways while installing Antenna Workspaces desks or big tables. (See drawings below)

**Application #1**

The most common application for the installation gauge is for use when positioning the top over the rails. The V cutout in the installation gauge sits snug to the side of the rail, while the edge of the top tab aligns with the front edge of the desk top. The designed distance from the front edge of the top to the centerline of the rail is 6 5/8".

This side of the installation gauge can also be used to position the rails over pedestals and when connecting to Fence.

**Application #2**

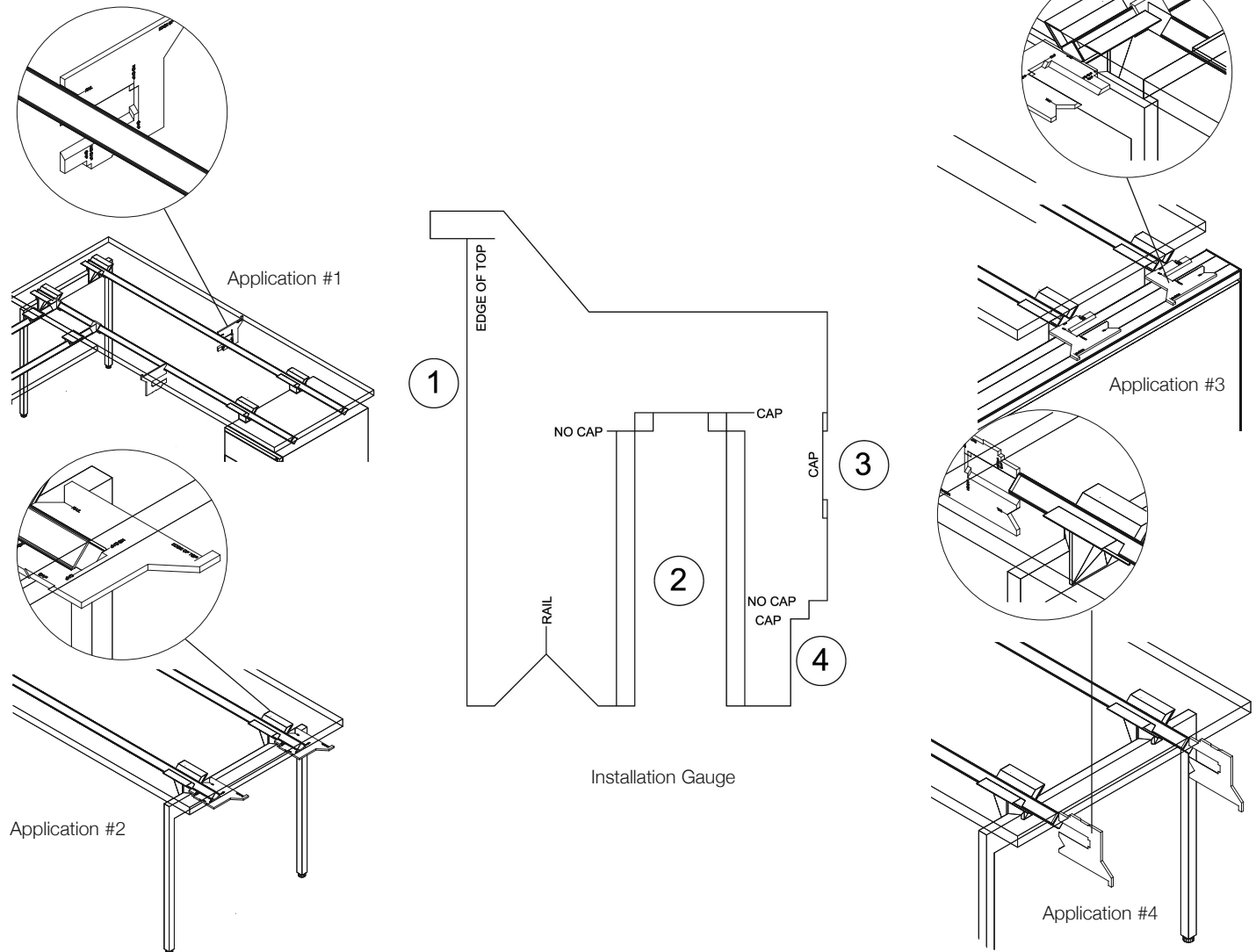
The installation gauge can also be used to position the desk end leg assemblies in the correction location in relation to the end of a rail. Desk end legs are designed to be inset 5 1/2" from the end of the desk top. In this application, the recessed part of the gauge sits up against the end of a rail (with or without the end cap) and the end of the gauge sits against the outside edge of the cradle. This can also be used for big table applications when extension tops or cabinets are not specified.

**Application #3**

The rail end cap is designed to sit proud of the cradle by approximately 1/16", so that the end of the rail and leg are 1 1/2" from the end of the top. The installation gauge is used to accurately space the outside of the rail end cap to the outside edge of the cradle. This must be used when the leg is placed 1 1/2" from the edge of the top, such as when a bridge or return is to be used to ensure the correct placement for the bridge or return rails.

**Application #4**

The installation gauge can also be used to correctly position the top over the width of the rails. This will ensure that you have the desired 1 1/2" distance between the end of the rail (with no end cap) and the end edge of the top.

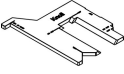



Desk and Table Support

# Sales and Installation Tools

## *Installation Gauge*

Antenna Workspaces

description	type	pattern no.	list
Installation Gauge 	Package of 5	<b>YBIG</b>	\$24.
Desk Screen Drill Fixture 	Package of 5	<b>YPSDF5</b>	40.
Desk Screen Alignment Pin	Package of 10	<b>YPSP10</b>	75.

Desk and Table Support

Ordering Information	Order Code	Included With	Options
<b>Legs for Dual Big Tables</b>	<b>Installation Gauge</b>		
1. Pattern Number	<i>Example:</i> <b>YBIG</b>		
	<b>YB</b> Antenna		
	<b>IG</b> Installation Gauge		

## Electrical Components for Antenna Desks and Big Tables

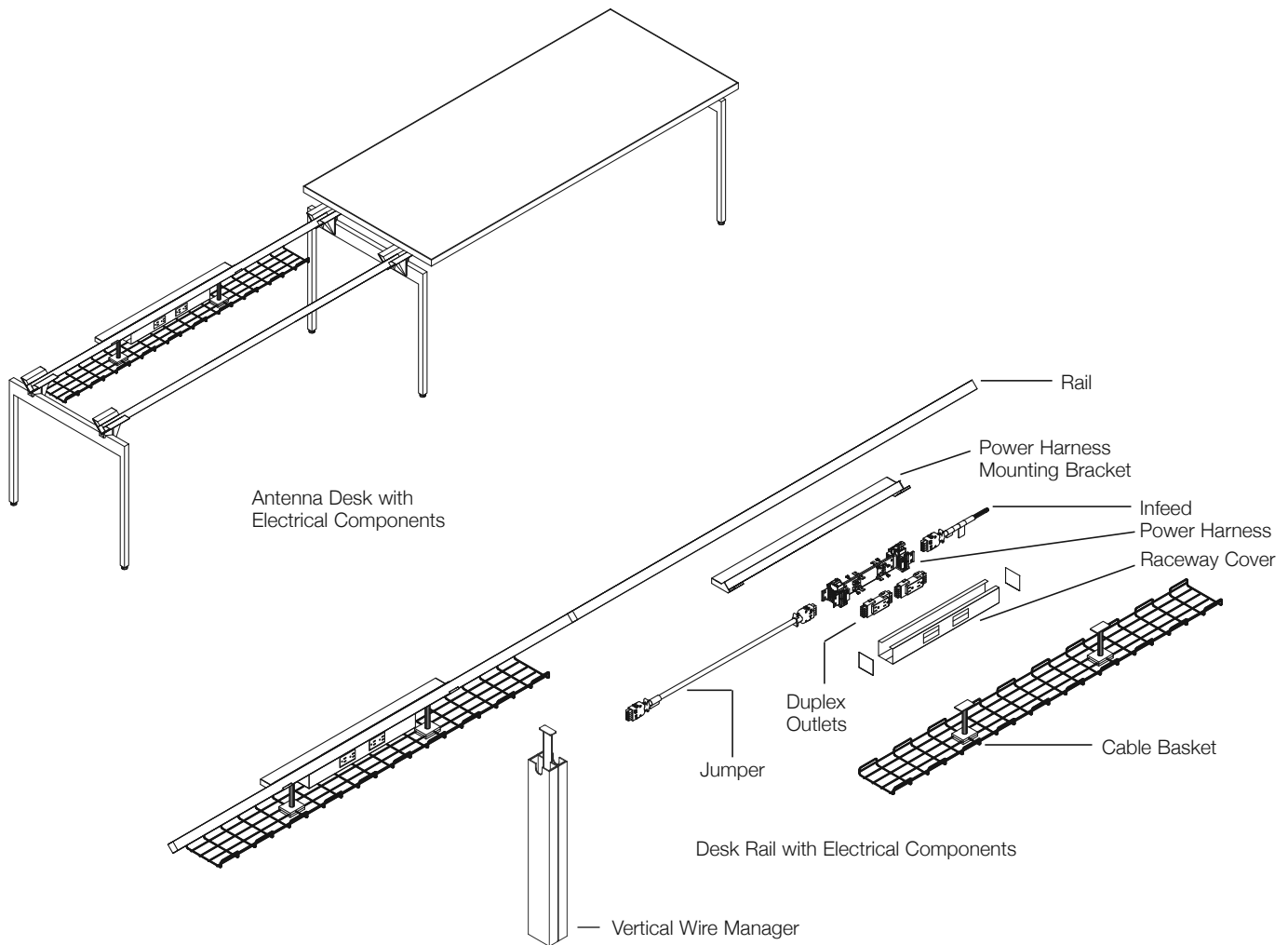
Antenna linked desks and big tables can be powered by a modular distribution system featuring standard Knoll 2+2 and 3+3 eight- and ten-wire power systems. From a single point of connection to the building power supply, Antenna raceway can distribute four or six 20-amp circuits. Depending on national and local electric codes, and the anticipated load of a particular application, each circuit may support as many as 10 or more duplex outlets.

The central component is the power harness, which can be mounted under desk rails or under the center beam of a big table, typically centered on a desk top width.

Under desks the harness is suspended from a power harness mounting bracket attached to either the front or back edge of a desk rail, typically 6" in from the back edge. Specify a power harness mounting bracket to match the width of harness and covers, or 12" wider to also attach cable baskets or data/communications outlet boxes. Under the big table, the harness can be suspended directly from the center beam.

The power harness accepts snap-in duplex outlets on each face, and is enclosed by steel raceway covers, specified separately. Each end of the harness has ports for two jumper cables, or a power infeed and a jumper cable. The power infeed connects power from a building junction box, and jumpers connect power from one harness to another, in either direction.

Power harnesses are available in two sizes: 12" wide, with two duplex outlet locations on each face, and 24" wide, with four outlet locations on each face. Duplex outlets must be specified separately to access one of the four or six circuits. Outlets for all circuits can be specified in black with white letters identifying circuits. Outlets for circuits X, Y, Z are also available in orange with black letters, or black with orange triangles and letters to designate protected circuits.



Corresponding raceway covers for 12" harness are 18" wide; covers for 24" harness are 30" wide. Raceway covers can be ordered in pairs that include two covers with openings or one cover without openings.

Jumper cables are available in various lengths up to 72" to link power between harnesses. To calculate the jumper width required to join between harnesses centered under the beam between big table tops, take the top width and subtract the harness width. Power harnesses planned next to each other, with immediately adjacent raceway covers, can be connected with the 7" jumper.

This enables big table tops to be served by more than four duplex outlets per position.

The same calculation is true for power harnesses under desks linked end to end: take the average of the two top widths and subtract the average of the harness widths. For desk to return power connections, take the average of the top and return widths, subtract the average of the harness widths, and add the depth of the primary top. Desk power jumper cables should be managed by cable clips for desk rails (YR1CC, set of 10).

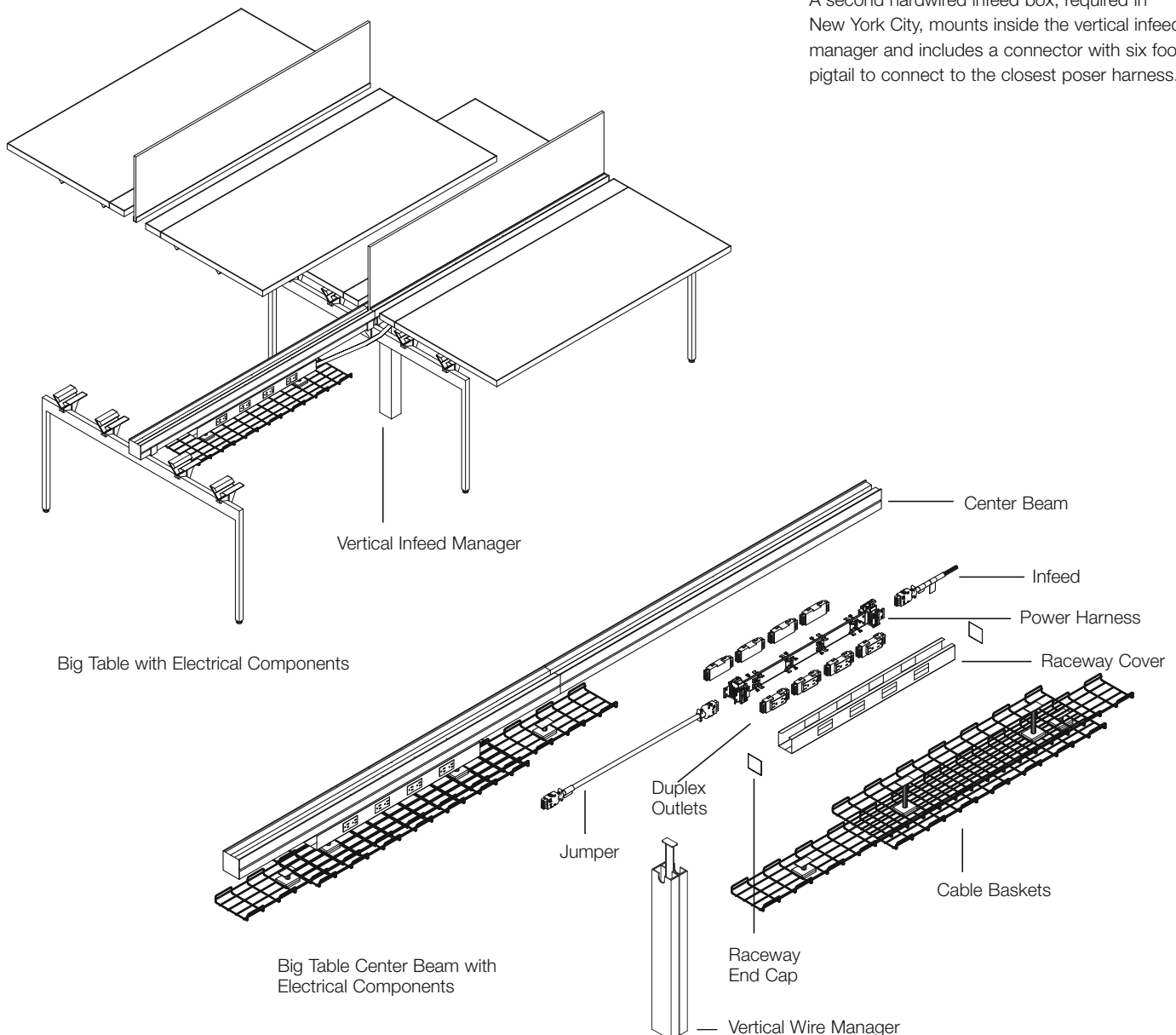
All tops including straight and 120 degree Antenna tops that are 48" wide or narrower only accept the 12" power harness.

To satisfy UL approval desks linked, power jumpers must be secured to each other by mechanical fasteners, such as a shared end leg, return connectors or top-to-top brackets.

Three types of power infeeds are available to connect the raceway from the building power supply. The modular infeed has a modular connector with a six foot pigtail to connect from a junction box in the floor or wall to a power harness.

A hardwired infeed box, required in New York City, mounts to a desk rail or Big Table center beam and includes a connector with six foot pigtail to connect to the closest power harness.

A second hardwired infeed box, required in New York City, mounts inside the vertical infeed manager and includes a connector with six foot pigtail to connect to the closest power harness.





# Planning Guidelines for Electrical Components For Desks and Big Tables

Data and communication faceplates are housed in a communication mounting box or plate that is suspended from an extended power harness mounting bracket on either side of the power harness on a desk rail or the center beam of the big table.

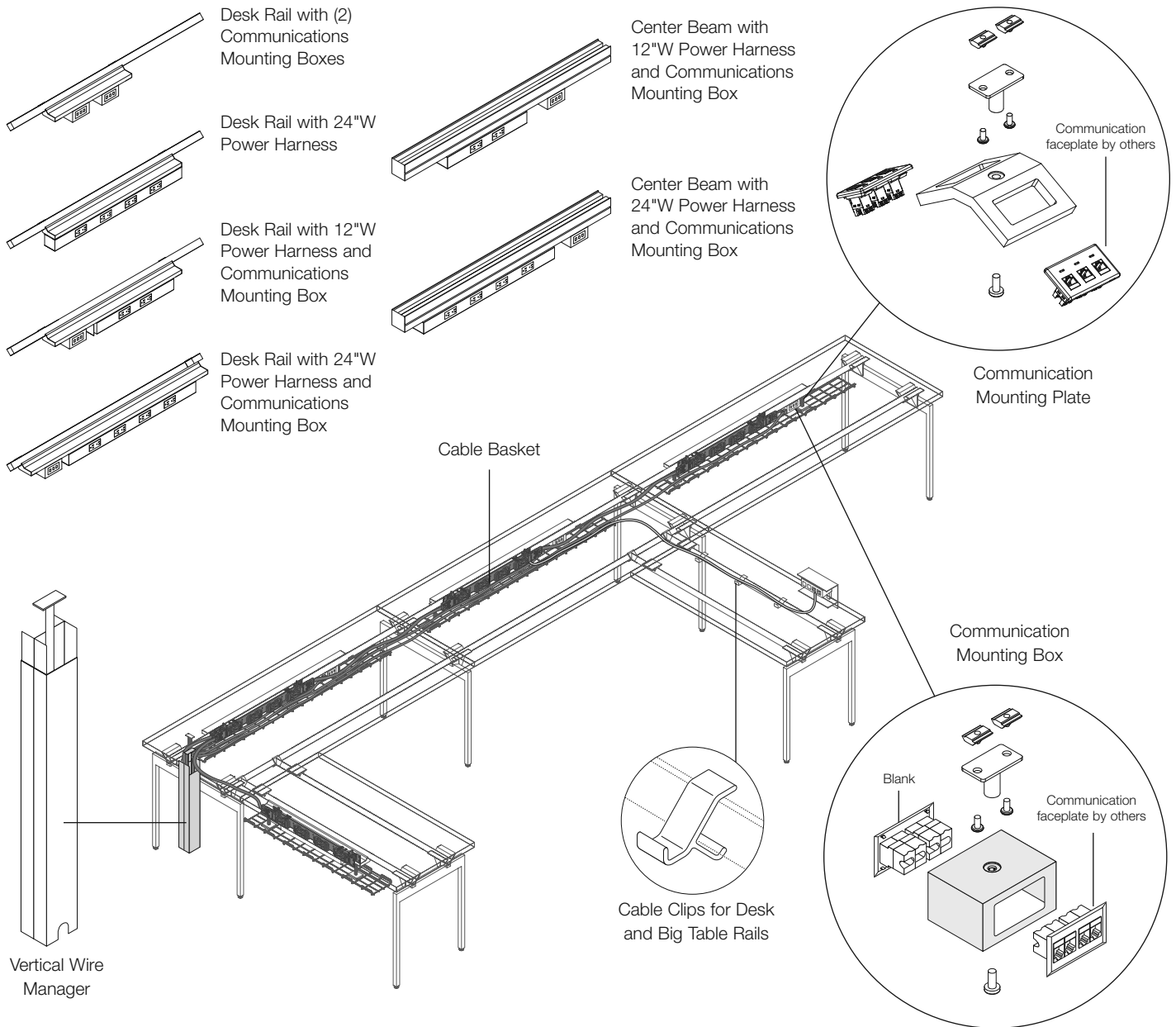
The mounting box has industry standard decora-size opening, 2.66" wide by 1.36" high with 0.094" radii corners, for outlets facing the inside or outside of the desk, and an opening underneath for cable supply.

The mounting plate also has industry standard decora-size openings, 2.66" wide by 1.36" high with 0.094" radii corners, for outlets facing vertical for easy access, and open underside for cable supply.

The PDC module extension kit is a set of ten collars that snap securely into an outlet opening in an Antenna communications mounting box or Fence outlets cover to project a new outlet mounting position 1/2" away from the face of the box or cover. This added depth can be crucial if communications connectors are unusually deep and are arrayed back to back in the mounting

box or Fence. Interior space between back to back communications faceplates is 3" in mounting box, or 3 7/8" in Fence applications. Extension Kit accepts most standard, decora-size communications faceplates. PDC module extension kit is injection molded black plastic.

Outlet fillers are a kit of ten plastic filler plates that flex to snap securely into any unused outlet opening in Antenna raceway covers, communications mounting box, or Fence outlets cover. Installed covers are designed to closely mimic the appearance of adjacent power outlets. Fillers are black injection molded plastic.



## 2+2

Four 20-amp circuits, 8 wire configuration with four hots (12 gauge), two neutrals (10 gauge, 35A rated), two grounds.

Power harness and outlet modules: steel enclosure between molded polypropylene distribution blocks, 8-wire.

**Jumper cables:** flexible steel conduit with strain relief, 8-wire

**Outlets:** molded polycarbonate duplex preconfigured as circuit A, B (black), X, Y (black, orange or black with orange triangle)

**Infeed:** watertight conduit with 6' whip or hardwire box mounted to desk rail, center beam or fence frame, 8-wire

Load should be balanced evenly among power circuits. In accordance with NEC2011 Article 210, the permissible load should not exceed 80% of the circuit ampere rating (which is 16 amps on each 20 amp branch circuit).

## 3+3

Six 20-amp circuits, 10 wire configuration with six hots (12 gauge), two neutrals (10 gauge, 35A rated), two grounds.

Power harness and outlet modules: steel enclosure between molded polypropylene distribution blocks, 10-wire.

**Jumper cables:** flexible steel conduit with strain relief, 10-wire

**Outlets:** molded polycarbonate duplex preconfigured as circuit A, B, C (black), X, Y, Z (black, orange or black with orange triangle)

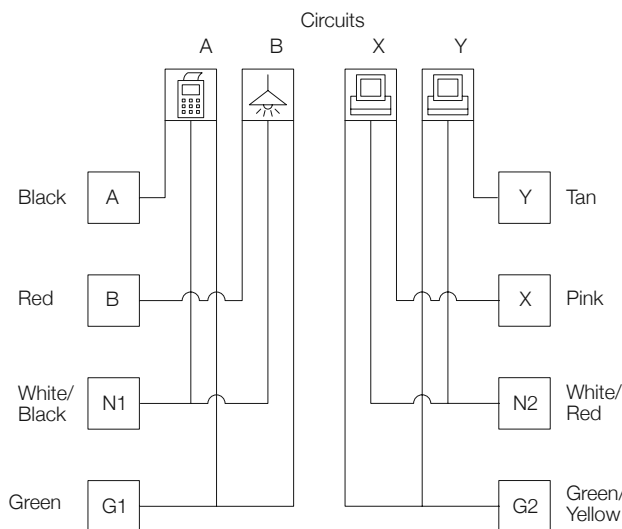
**Infeed:** watertight conduit with 6' whip or hardwire box mounted to desk rail, center beam or fence frame, 10-wire

Load should be balanced evenly among power circuits. In accordance with NEC2011 Article 210, the permissible load should not exceed 80% of the circuit ampere rating (which is 16 amps on each 20 amp branch circuit).

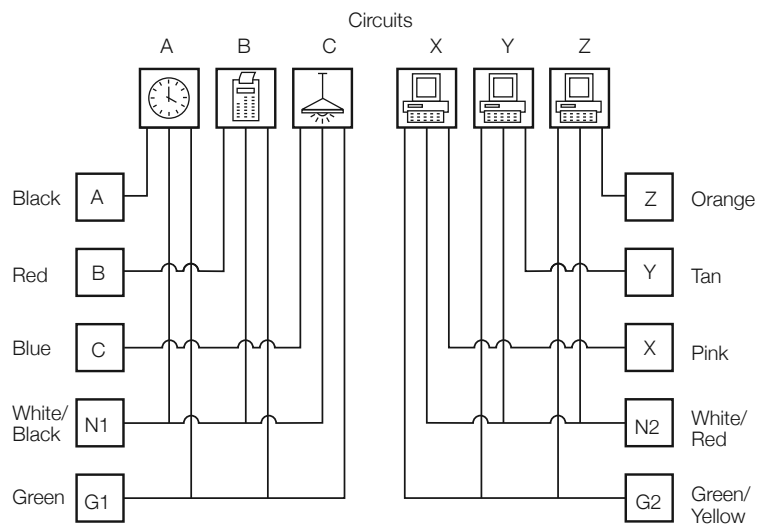
Antenna Workspaces is a listed product with U.L. in the QAWZ office furnishings category.

- File E76704 Volume 13, Section 1 (Furniture)
- File E76704 Volume 5, Section 5 (Electrical Accessories)

**Wiring Diagram (2+2)**

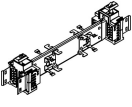

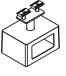

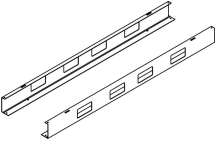



**Wiring Diagram (3+3)**



# Electrical Components for Desks and Big Tables

## 2 + 2 and 3 + 3 Electrical Systems

description	type	width	depth	height	pattern no.	list
	2+2, (2) Duplex Outlets per Side	12"	2"	2"	<b>YRPHE12</b>	\$179.
	3+3, (2) Duplex Outlets per Side	12"	2"	2"	<b>YRPHT12</b>	204.
	2+2, (4) Duplex Outlets per Side	24"	2"	2"	<b>YRPHE24</b>	325.
	3+3, (4) Duplex Outlets per Side	24"	2"	2"	<b>YRPHT24</b>	391.
	For desk mounted 12" wide power harness	18"	3"	3/4"	<b>YRPHA18</b>	69.
	For desk mounted 24" wide power harness	30"	3"	3/4"	<b>YRPHA30</b>	91.
	For desk mounted 12" wide power harness and communications mounting box	30"	3"	3/4"	<b>YRPHA30</b>	91.
	For desk mounted 24" wide power harness and communications mounting box	42"	3"	3/4"	<b>YRPHA42</b>	115.
Communications Mounting Box	Below Desk or Big Table				<b>YR1CMB</b>	40.
						
Communications Mounting Plate	Below Desk or Big Table				<b>YR1CMP</b>	40.
						
PDC Module Extension Kit	Package of 10				<b>YR1PDCX</b>	141.
	For 12" wide power harness, outlets both sides	18"	3"	3"	<b>YR1C18D</b>	97.
	For 12" wide power harness, outlets one side	18"	3"	3"	<b>YR1C18S</b>	97.
	For 24" wide power harness, outlets both sides	30"	3"	3"	<b>YR1C30D</b>	115.
	For 24" wide power harness, outlets one side	30"	3"	3"	<b>YR1C30S</b>	115.
Raceway End Cap	Package of 2	3/8"	3"	3"	<b>YRCE</b>	17.
						

Ordering Information	Order Code	Included With	Options
<b>Electrical Components</b> 1. Pattern Number	<b>Electrical Components</b> <i>Example:</i> <b>YRPHT12</b>	<b>Power Harness</b> Center Beam Attachment	<b>Electrical Components</b>
<b>Mounting Brackets</b> 1. Pattern Number 2. Paint Finish	<b>YRPHT</b> Power Harness <b>12</b> Width	<b>Mounting Brackets</b> Attachment Hardware	
<b>Raceway Covers/End Caps</b> 1. Pattern Number 2. Paint Finish	<b>Raceway Covers</b> <i>Example:</i> <b>YRC18D, 118T</b> <b>YRC</b> Raceway Covers <b>18</b> Width	<b>Communication Mounting Box</b> Attachment Hardware	
<b>Communication Mounting Box</b> 1. Pattern Number 2. Paint Finish	<b>D</b> Outlets Both Sides <b>118T</b> Bright White Paint		

# Electrical Components for Desks and Big Tables

## 2 + 2 and 3 + 3 Electrical Systems

description	type	width	depth	height	pattern no.	list
Covers for Exposed End of Power Harness	Package of 10	1"	1"	2"	<b>YR1CP</b>	\$183.



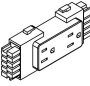
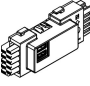

Infeeds		width	depth	height	pattern no.	list
	2+2 Modular Base Infeed	85"	2 1/8"	2 3/8"	<b>YR1EDPI</b>	198.
	3+3 Modular Base Infeed	85"	2 1/8"	2 3/8"	<b>YR1TDPI</b>	229.
	2+2 Hardwire Infeed for New York City	85"	2 1/8"	2 3/8"	<b>YR1EPNY</b>	436.
	3+3 Hardwire Infeed for New York City	85"	2 1/8"	2 3/8"	<b>YR1TPNY</b>	459.

Vertical Infeeds		width	depth	height	pattern no.	list
	2+2 Hardwire Infeed for New York City Vertical Wire Manager	85"	1 1/8"	2 3/4"	<b>YR1EVWMNY</b>	615.
	3+3 Hardwire Infeed for New York City Vertical Wire Manager	85"	1 1/8"	2 3/4"	<b>YR1TVWMNY</b>	646.

Ordering Information	Order Code	Included With	Options
<b>Electrical Components</b> 1. Pattern Number	<b>Electrical Components</b> <hr/> <i>Example:</i> <b>YRPHT12</b> <hr/> <b>YRPHT</b> Power Harness <hr/> <b>12</b> Width <hr/> <b>Raceway Covers</b> <hr/> <i>Example:</i> <b>YRC18D, 118T</b> <hr/> <b>YRC</b> Raceway Covers <hr/> <b>18</b> Width <hr/> <b>D</b> Outlets Both Sides <hr/> <b>118T</b> Bright White Paint	<b>Power Harness</b> Center Beam Attachment  <b>Mounting Brackets</b> Attachment Hardware  <b>Communication Mounting Box</b> Attachment Hardware	<b>Electrical Components</b>
<b>Mounting Brackets</b> 1. Pattern Number 2. Paint Finish			
<b>Raceway Covers/End Caps</b> 1. Pattern Number 2. Paint Finish			
<b>Communication Mounting Box</b> 1. Pattern Number 2. Paint Finish			

# Electrical Components for Desks and Big Tables

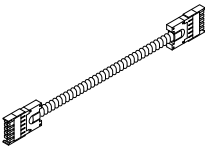
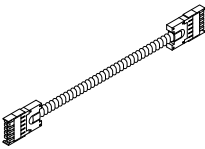
## 2 + 2 and 3 + 3 Electrical Systems

description	type	width	depth	height	pattern no.	list
 Duplex Receptacles	Circuit A, black	1 1/2"	1"	4 1/2"	<b>YR1DA</b>	\$41.
	Circuit A, black with controlled symbol	1 1/2"	1"	4 1/2"	<b>YR1DAC</b>	41.
	Circuit B, black	1 1/2"	1"	4 1/2"	<b>YR1DB</b>	41.
	Circuit B, black with controlled symbol	1 1/2"	1"	4 1/2"	<b>YR1DBC</b>	41.
	Circuit C, black	1 1/2"	1"	4 1/2"	<b>YR1DC</b>	41.
	Circuit C, black with controlled symbol	1 1/2"	1"	4 1/2"	<b>YR1DCC</b>	41.
	Circuit X, black	1 1/2"	1"	4 1/2"	<b>YR1DX</b>	41.
	Circuit X, black with controlled symbol	1 1/2"	1"	4 1/2"	<b>YR1DXC</b>	41.
	Circuit X, orange	1 1/2"	1"	4 1/2"	<b>YR1DXO</b>	41.
	Circuit X, black with orange triangle	1 1/2"	1"	4 1/2"	<b>YR1DXT</b>	41.
	Circuit Y, black	1 1/2"	1"	4 1/2"	<b>YR1DY</b>	41.
	Circuit Y, black with controlled symbol	1 1/2"	1"	4 1/2"	<b>YR1DYC</b>	41.
	Circuit Y, orange	1 1/2"	1"	4 1/2"	<b>YR1DYO</b>	41.
	Circuit Y, black with orange triangle	1 1/2"	1"	4 1/2"	<b>YR1DYT</b>	41.
	Circuit Z, black	1 1/2"	1"	4 1/2"	<b>YR1DZ</b>	41.
	Circuit Z, black with controlled symbol	1 1/2"	1"	4 1/2"	<b>YR1DZC</b>	41.
	Circuit Z, orange	1 1/2"	1"	4 1/2"	<b>YR1DZO</b>	41.
Circuit Z, black with orange triangle	1 1/2"	1"	4 1/2"	<b>YR1DZT</b>	41.	
 USB Duplex	Circuit A, black	1 1/2"	1"	4 1/2"	<b>YR1USBA</b>	180.
	Circuit B, black	1 1/2"	1"	4 1/2"	<b>YR1USBB</b>	180.
	Circuit C, black	1 1/2"	1"	4 1/2"	<b>YR1USBC</b>	180.
	Circuit X, black	1 1/2"	1"	4 1/2"	<b>YR1USBX</b>	180.
	Circuit Y, black	1 1/2"	1"	4 1/2"	<b>YR1USBY</b>	180.
	Circuit Z, black	1 1/2"	1"	4 1/2"	<b>YR1USBZ</b>	180.
 Outlet Fillers	Package of 10	1 1/4"	1/4"	2 1/2"	<b>YROF</b>	35.

Ordering Information	Order Code	Included With	Options
<b>Electrical Components</b> 1. Pattern Number	<b>Electrical Components</b> <i>Example:</i> <b>YRPHT12</b>	<b>Power Harness</b> Center Beam Attachment	<b>Electrical Components</b>
<b>Mounting Brackets</b> 1. Pattern Number 2. Paint Finish	<b>YRPHT</b> Power Harness <b>12</b> Width	<b>Mounting Brackets</b> Attachment Hardware	
<b>Raceway Covers/End Caps</b> 1. Pattern Number 2. Paint Finish	<b>Raceway Covers</b> <i>Example:</i> <b>YRC18D, 118T</b> <b>YRC</b> Raceway Covers <b>18</b> Width	<b>Communication Mounting Box</b> Attachment Hardware	
<b>Communication Mounting Box</b> 1. Pattern Number 2. Paint Finish	<b>D</b> Outlets Both Sides <b>118T</b> Bright White Paint		

# Electrical Components for Desks and Big Tables

## 2 + 2 and 3 + 3 Electrical Systems

description	type	w	d	h	pattern no.	list	
 <p>Jumper Cable, 2+2</p>	For 12" between power harnesses	12"	1"	1"	<b>YR1EJ12</b>	\$104.	
	For 18" between power harnesses	18"	1"	1"	<b>YR1EJ18</b>	113.	
	For 24" between power harnesses	24"	1"	1"	<b>YR1EJ24</b>	119.	
	For 30" between power harnesses	30"	1"	1"	<b>YR1EJ30</b>	127.	
	For 36" between power harnesses	36"	1"	1"	<b>YR1EJ36</b>	134.	
	For 42" between power harnesses	42"	1"	1"	<b>YR1EJ42</b>	149.	
	For 48" between power harnesses	48"	1"	1"	<b>YR1EJ48</b>	155.	
	For 54" between power harnesses	54"	1"	1"	<b>YR1EJ54</b>	161.	
	For 60" between power harnesses	60"	1"	1"	<b>YR1EJ60</b>	171.	
	For 66" between power harnesses	66"	1"	1"	<b>YR1EJ66</b>	179.	
	For 72" between power harnesses	72"	1"	1"	<b>YR1EJ72</b>	187.	
 <p>Jumper Cable, 3+3</p>	For adjacent power harnesses	07"	1"	1"	<b>YR1TJ7</b>	178.	
	For 12" between power harnesses	12"	1"	1"	<b>YR1TJ12</b>	134.	
	For 18" between power harnesses	18"	1"	1"	<b>YR1TJ18</b>	147.	
	For 24" between power harnesses	24"	1"	1"	<b>YR1TJ24</b>	155.	
	For 30" between power harnesses	30"	1"	1"	<b>YR1TJ30</b>	164.	
	For 36" between power harnesses	36"	1"	1"	<b>YR1TJ36</b>	175.	
	For 42" between power harnesses	42"	1"	1"	<b>YR1TJ42</b>	193.	
	For 48" between power harnesses	48"	1"	1"	<b>YR1TJ48</b>	202.	
	For 54" between power harnesses	54"	1"	1"	<b>YR1TJ54</b>	209.	
	For 60" between power harnesses	60"	1"	1"	<b>YR1TJ60</b>	222.	
	For 66" between power harnesses	66"	1"	1"	<b>YR1TJ66</b>	233.	
		For 72" between power harnesses	72"	1"	1"	<b>YR1TJ72</b>	243.

Ordering Information	Order Code	Included With	Options
<b>Electrical Components</b> 1. Pattern Number	<b>Electrical Components</b> <i>Example:</i> <b>YRPHT12</b>	<b>Power Harness</b> Center Beam Attachment	<b>Electrical Components</b>
<b>Mounting Brackets</b> 1. Pattern Number 2. Paint Finish	<b>YRPHT</b> Power Harness <b>12</b> Width	<b>Mounting Brackets</b> Attachment Hardware	
<b>Raceway Covers/End Caps</b> 1. Pattern Number 2. Paint Finish	<b>Raceway Covers</b> <i>Example:</i> <b>YRC18D, 118T</b> <b>YRC</b> Raceway Covers <b>18</b> Width	<b>Communication Mounting Box</b> Attachment Hardware	
<b>Communication Mounting Box</b> 1. Pattern Number 2. Paint Finish	<b>D</b> Outlets Both Sides <b>118T</b> Bright White Paint		

# Surface Mounted Plugmold Raceway

## Planning Guidelines and Specifications

Plugmold raceway for Antenna Workspaces is a hardwired raceway solution for linked desk and big table planning applications.

Plugmold houses six simplex outlets on one face and is available in either one circuit (3-wire) or two circuit (4-wire) configurations. Plugmold with one circuit may be appropriate for one or two linked desks; Plugmold with two circuits is appropriate for multiple desks or Big Table applications.

Plugmold is a two part channel, including an extruded aluminum back that screws to a mounting bracket that is suspended from a center beam or power harness mounting

bracket. The snap on face cover has an anodized aluminum finish with cutouts to accommodate eight simplex outlets. The plugmold raceway is 36" wide, 1 1/2" high and 1 1/8" deep. It includes blank ends and ends with fittings to link power to additional raceways or building power supply.

The mounting bracket is 36 1/2" wide U-shape folded steel that attaches to the underside of a big table center beam or power harness mounting bracket to support Plugmold on one or both faces. The hollow inside bracket conceals sheet metal screw fasteners for Plugmold on either side.

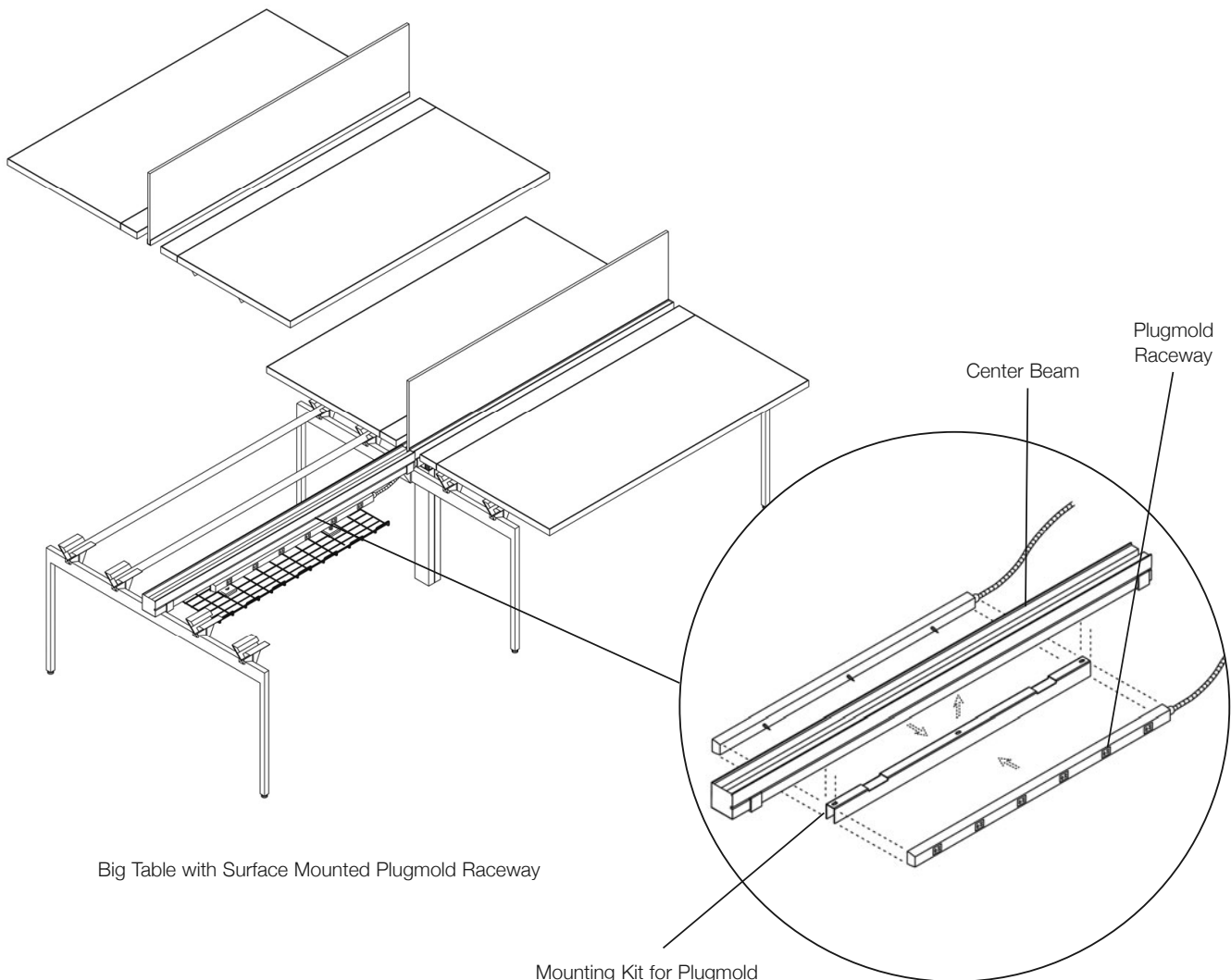
Plugmold raceway is a UL-listed surface mounted Wiremold 2000 raceway and when installed and configured by a licensed electrician it meets the requirements for City of Chicago.

### Construction

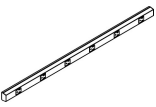
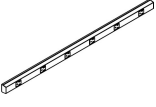
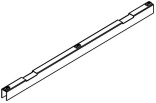
Plugmold raceway is extruded aluminum back plate and cover, steel end covers and extruded aluminum cable exits. Mounting bracket is painted steel.

### Specification Options

Plugmold raceways have a clear anodized aluminum finish. Mounting brackets are painted in any Core paint finish.



# Surface Mounted Plugmold Raceway For Desks and Big Tables

description	type	w	d	h	pattern no.	list
 Plugmold, Single Circuit	3-Wire, Grey Outlets	36"	1 1/8"	1 1/2"	<b>YRPM361</b>	\$696.
 Plugmold, Two Circuit	4-Wire, Grey Outlets	36"	1 1/8"	1 1/2"	<b>YRPM362</b>	819.
 Mounting Kit for Plugmold	For Desks and Big Tables				<b>YRPMK</b>	123.

Ordering Information	Order Code	Included With	Options
<b>Electrical Components</b>	<b>Plugmold</b>	<b>Plug Mold</b>	<b>Electrical Components</b>
1. Pattern Number	<i>Example: YRPM361</i> <b>YR</b> Electrical Component <b>PM</b> Plug Mold <b>38</b> Width <b>1</b> Single Circuit	<b>Mounting Kit</b> Attachment brackets Hardware	
	<b>Mounting Kit</b> <i>Example: YRPMK</i> <b>YR</b> Electrical Component <b>PM</b> Plug Mold <b>K</b> Kit		



# Desktop Outlet Center

## Planning Guidelines and Specifications

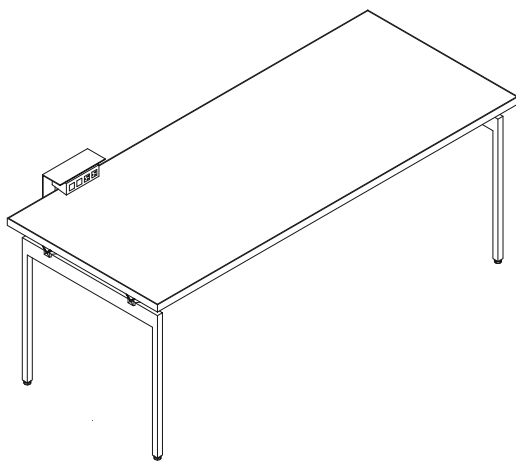
The Antenna Desktop Power Center combines desktop outlets for power data and communications in any Antenna plan and is the ideal solution for independent desks.

The desk mount bracket conceals cables behind and below the desk and incorporates a shelf for small electronics above.

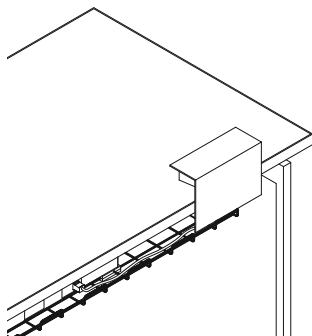
Desktop Power Center is available with four simplex outlet positions (two power and two datacom) or (three power and one 2-port USB) or six outlets (three and three, or two power and four datacom). The hardwired outlet module comes with outlets and is wired with conduit and pigtail ready to hardwire directly into a junction box. The hardwire desktop outlet center is UL listed and meets the requirements of the City of Chicago if installed by a licensed electrician.

Desktop Power Center is powered by a 6' or 10' cordset that can connect to an Antenna raceway outlet or directly to a building outlet, or may be hardwired to building power junction box.

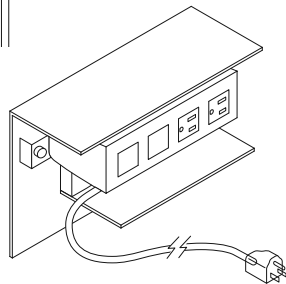
Power center includes adapters for various common communication outlets by others. Rectangular opening in base of power center enables cables to supply outlets from cable tray or cable clips under desktop.



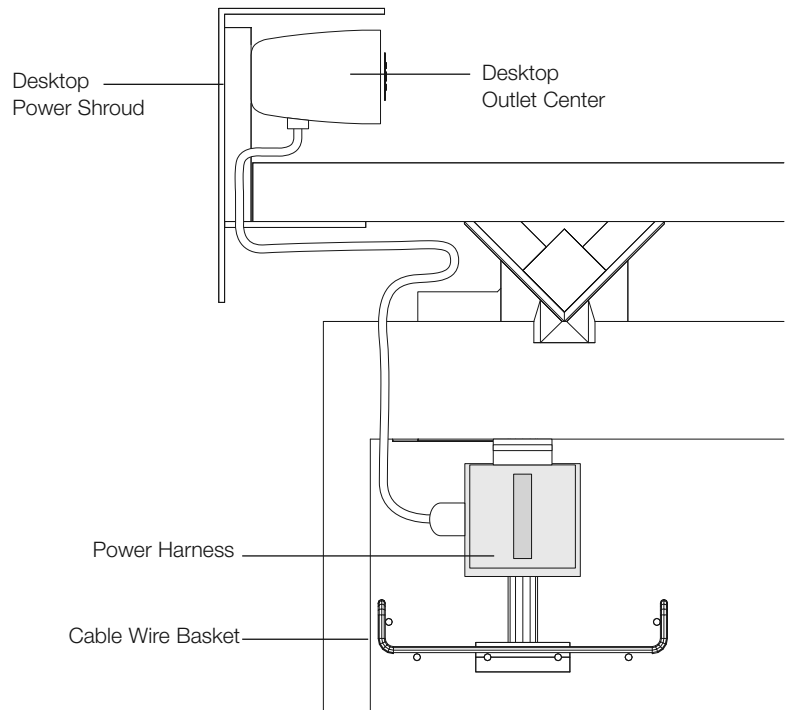
Antenna Desk with Desktop Outlet Center with Power Shroud



Desktop Outlet Center with Power Shroud Back Detail



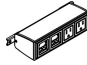
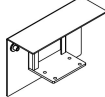
Desktop Outlet Center with Power Shroud



Desktop Outlet Center with Power Shroud Elevation Detail

# Desktop Outlet Center

## Four or Six Positions

description	type	w	d	h	pattern no.	list
 Desktop Outlet Center	4 Positions (1, 2-port USB and 3 Power), 10' Cordset	6 1/2"	2 1/2"	2"	<b>YR1DOC4U3C10N</b>	\$657.
	4 Positions (1, 2-port USB and 3 Power), 6' Cordset	6 1/2"	2 1/2"	2"	<b>YR1DOC4U3C6N</b>	625.
	4 Positions (1, 2-port USB and 3 Power), 6' Hardwire	6 1/2"	2 1/2"	2"	<b>YR1DOC4U3H6N</b>	675.
	4 Positions (2 Data and 2 Power), 10' Cordset	6 1/2"	2 1/2"	2"	<b>YR1DOC422C10N</b>	483.
	4 Positions (2 Data and 2 Power), 6' Cordset	6 1/2"	2 1/2"	2"	<b>YR1DOC422C6N</b>	448.
	4 Positions (2 Data and 2 Power), 6' Hardwire	6 1/2"	2 1/2"	2"	<b>YR1DOC422H6N</b>	493.
	6 Positions (3 Data and 3 Power), 10' Cordset	9 1/2"	2 1/2"	2"	<b>YR1DOC633C10N</b>	603.
	6 Positions (3 Data and 3 Power), 6' Cordset	9 1/2"	2 1/2"	2"	<b>YR1DOC633C6N</b>	569.
	6 Positions (3 Data and 3 Power), 6' Hardwire	9 1/2"	2 1/2"	2"	<b>YR1DOC633H6N</b>	614.
	6 Positions (4 Data and 2 Power), 10' Cordset	9 1/2"	2 1/2"	2"	<b>YR1DOC642C10N</b>	579.
	6 Positions (4 Data and 2 Power), 6' Cordset	9 1/2"	2 1/2"	2"	<b>YR1DOC642C6N</b>	544.
	6 Positions (4 Data and 2 Power), 6' Hardwire	9 1/2"	2 1/2"	2"	<b>YR1DOC642H6N</b>	590.
	 Desk Mount Outlet Center Shroud	For 4 Position Desktop Outlet Center	8"	3"	6"	<b>YR1DM4</b>
For 6 Position Desktop Outlet Center		11"	3"	6"	<b>YR1DM6</b>	230.

Ordering Information	Order Code	Included With	Options
<b>Desktop Outlet Center</b> 1. Pattern Number	<b>Desktop Outlet Center</b> <i>Example:</i> <b>YR1DOC422C10N</b> <b>YR1DOC</b> Desktop Outlet Center <b>4</b> Positions <b>2</b> Data <b>2</b> Power <b>C10</b> 10' Cordset <b>N</b> No finish	<b>Desktop Outlet Center</b> <b>Desk Mount Shroud</b> Attachment Hardware	<b>Desktop Outlet Center</b> <b>Desk Mount Shroud</b>
<b>Desk Mount Shroud</b> 1. Pattern Number 2. Paint Finish	<b>Desk Mount Shroud</b> <i>Example:</i> <b>YR1DM4, 118T</b> <b>YR1DM</b> Desk Shroud <b>4</b> Positions <b>118T</b> Bright White Paint		

# Cable Management

## *Cable Clips and Vertical Wire Manager*

### *Planning Guidelines and Specifications*

#### **Cable Clips for Desk and Big Table Rails**

Cable management is available for directly under the top of a desk or big table by using a molded plastic clip that snaps onto a rail. This clip provides management for one or two cables to keep them from hanging below the top. Cable clips for rails are useful for managing power cords for electronic devices.

#### **Cable Clips for Big Table Center Beam**

Cable clips for Big Table center beam snap into underside of the beam to manage power cables or small bundles of communications cables. Cable clips for center beam could be useful for managing a jumper cable "passing through" a big table position without a power harness.

#### **Cable Clips for Fence**

Cable Clips for Fence snap into the face of studs in the Fence frame to manage small bundles of cables in the unobstructed 1" wide x 6 1/2" high lay-in cabling space

between studs and the inside surface of Fence covers. Four cable clips, each holding up to 14 communications cables, snap into predrilled mounting locations between Fence cover mounting brackets at each of the four cover locations on the frame. As studs are located every 12" along the length of a run of Fence frames, a typical spec might include 40 clips per frame (8 clips per foot) for maximum wire management at the lower 9" level. An integral living hinge detail enables a locking feature to hold cables within the rectangular clips.

#### **Vertical Wire Manager**

For desks and big tables, cables can be managed from the floor up to the cable basket by a vertical wire manager. The H-shape internal frame is suspended from the desktop or adapter bracket, and provides lay-in channels separating power from data communication cables. U-shape side covers

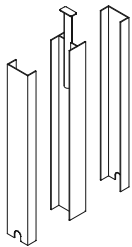
snap onto the frame to manage and conceal cables. Side covers have a "mousehole" shape cutout that can be positioned at the floor level to ease the bend radius of cables entering the bottom of the vertical wire manager.

#### **Construction**

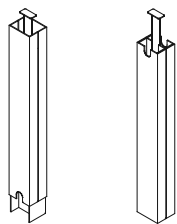
Cable clips are injection molded plastic. Vertical wire manager frames and covers are formed steel.

#### **Specification Options**

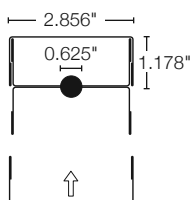
Cable clips for big table center beam and rails are grey. Cable clips for Fence are black. Vertical wire managers may be specified in any Core paint finish.



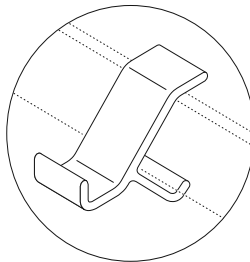
Vertical Wire Manager  
Exploded Detail



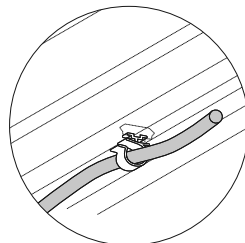
Vertical Wire Manager  
Assembly Options



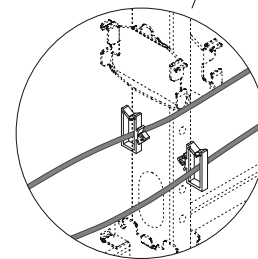
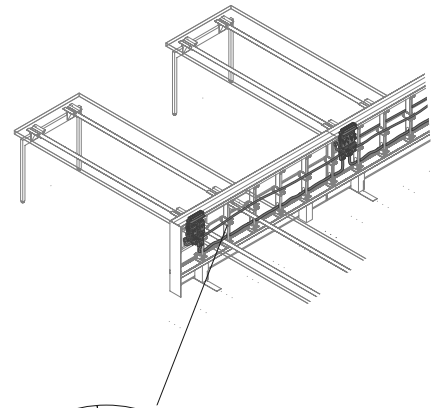
Plan View of Vertical Wire Manager



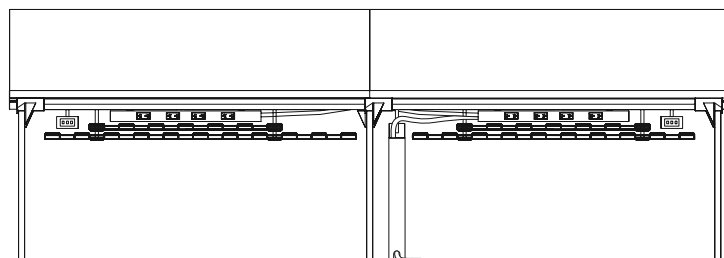
Cable Clips for Desk  
and Big Table Rails



Cable Clip for Big  
Table Center Beam



Cable Clips for Fence Wall Studs



Big Table with Vertical Wire Manager Elevation

# Cable Management

## Cable Baskets

### Planning Guidelines and Specifications

#### Cable Baskets

Cable baskets are available to manage both excess power cords under power harnesses, and for data/communications cable distribution.

For desks, a single upper cable basket that is 69" wide, 6" deep and 1" high can be specified for attachment to the power harness mounting bracket located at the back of a desk top. Specify mounting bracket 12" wider than the power harness, so there is room to attach cable basket hangers to mounting bracket. Baskets can be trimmed in length to fit between desk

legs or between desk legs and storage.

For big tables, upper and lower cable baskets are available. A 12" deep, 1" high upper cable basket manages power cords directly below the power harness. Upper cable baskets are available in a 27" width that corresponds to the 12" wide harness, a 39" width for the 24" wide harness, and 69" wide by either 6" or 12" deep. For standing height big table, a 69" x 6" basket is available with 7" deep mounting brackets to clear leg braces. Lower cable baskets 69" long and either 6" or 12" deep manage data/

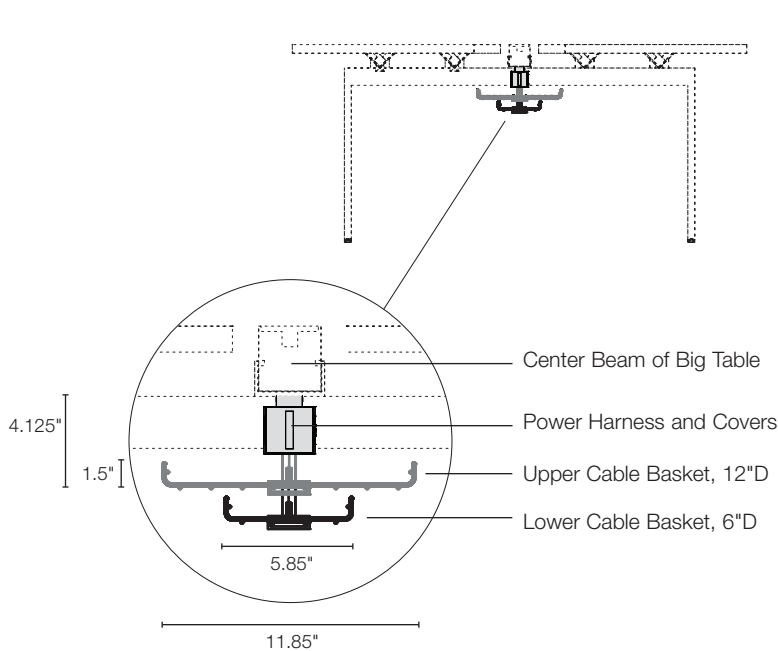
communications distribution for the width of the big table. Cable baskets and mounting hardware can also be specified separately. Cable baskets can be trimmed to the appropriate length onsite.

#### Construction

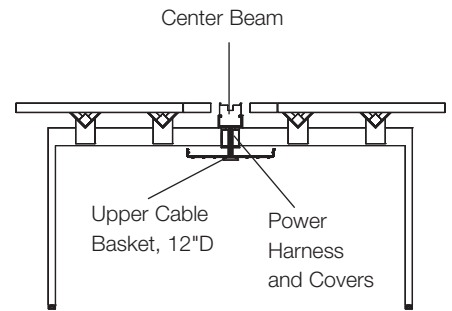
Cable baskets are painted wire.

#### Specification Options

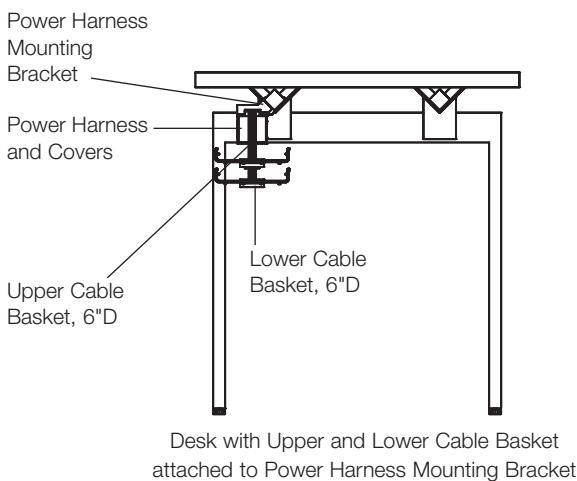
Cable baskets are painted medium grey.



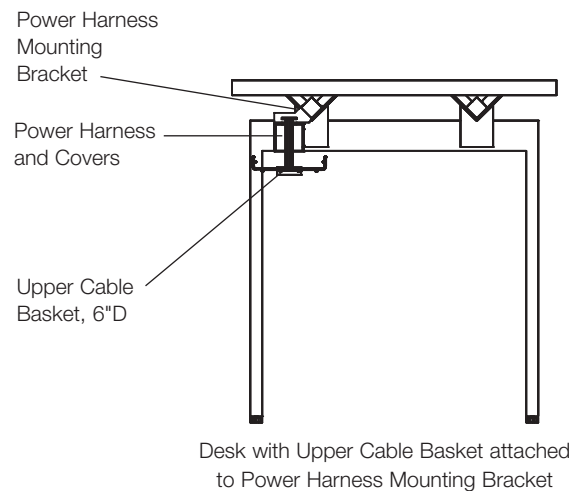
Big Table with Cable Baskets End Elevation Detail



Big Table with Upper Cable Basket Attached to Center Beam



Desk with Upper and Lower Cable Basket attached to Power Harness Mounting Bracket



Desk with Upper Cable Basket attached to Power Harness Mounting Bracket

# Cable Management

## Cable Basket Attachment Kits

### Planning Guidelines and Specifications

#### Lower Cable Basket Mount Kit

Lower cable basket mount kits can be used to attach a cable basket underneath another cable basket. This may be necessary when a cable basket is cut in half or when converting an upper cable basket into a lower cable basket. The mounting kit provides two brackets with hardware that can be used with any depth cable basket.

#### Cable Basket Extension Kit

Cable basket extension kits can be used to increase the space above or between baskets by 1 3/4". The extension kit can be specified in combination with either upper level or lower level cable baskets. Standard upper level basket hangers are 4" high, lower level baskets are suspended 1 3/8".

#### Cable Basket Extra Mount Kit

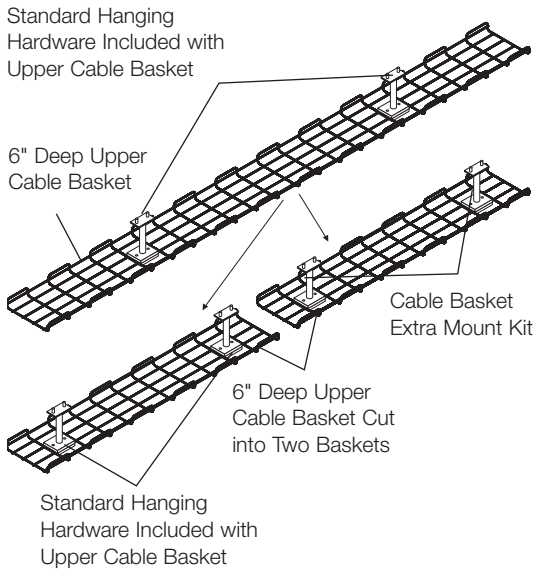
When a single cable basket is cut into two smaller baskets, a cable basket extra mount kit should be specified. This mounting kit provides the additional hardware necessary for both baskets to be attached to either the center beam or the power harness mounting bracket. Extra mount kit is available in 4" length for desk height and 7" length for standing height applications.

#### Construction

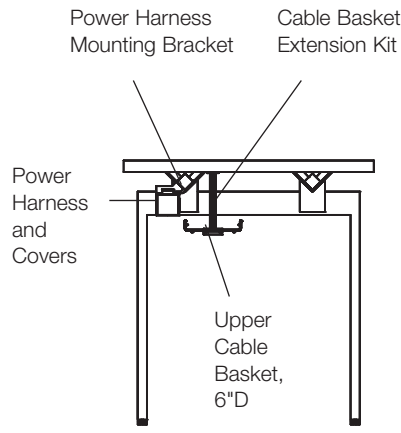
Cable basket attachment kits are painted steel.

#### Specification Options

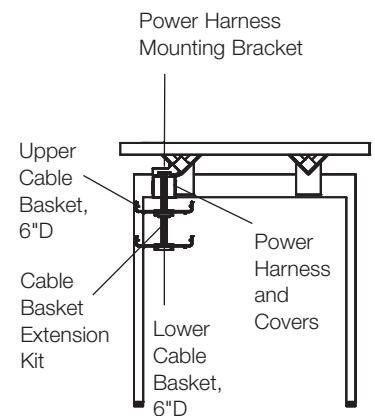
Cable basket attachment kits are painted medium grey.



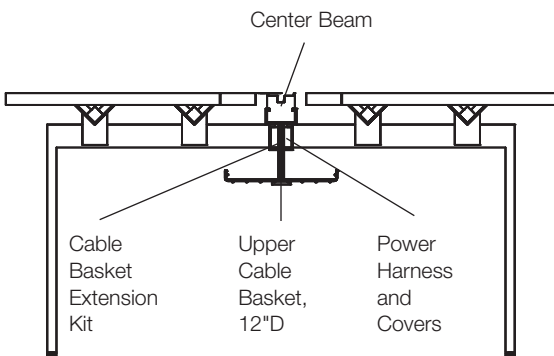
Cable Basket Extra Mount Kit Application



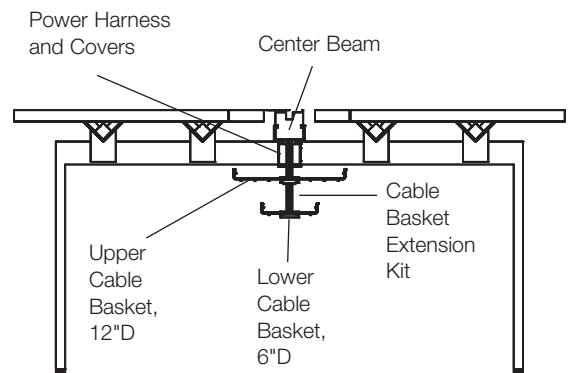
Desk with Upper Cable Basket attached to Top with Cable Basket Extension Kit



Desk with Upper and Lower Cable Baskets attached to Power Harness Mounting Bracket with Cable Basket Extension kit for 3" between baskets



Big Table with Upper Cable Basket attached to Center Beam with Cable Basket Extension Kit




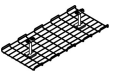
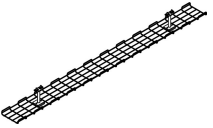
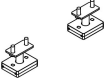


Big Table with Upper and Lower Cable Baskets attached to Center Beam with Cable Basket Extension Kit

# Cable Management

## For Desks and Big Tables

### Cable Clips, Cable Baskets and Vertical Infeed/Wire Manager

description	type	w	d	h	pattern no.	list
Cable Clips for Desk and Big Table Rails 	Package of 10	3/4"	1 1/2"	1"	<b>YR1CC</b>	\$58.
Cable Clips for Big Table Center Beam 	Package of 50				<b>YR1BCC50</b>	271.
Cable Clips for Wall Studs 	Package of 100	1/4"	1/2"	1 1/2"	<b>YR1PCC100</b>	84.
Upper Cable Baskets (12" D Shown) 	27" x 12" with 4"H mount	27"	12"	1"	<b>YR1CB2712B</b>	131.
	39" x 12" with 4"H mount	39"	12"	1"	<b>YR1CB3912B</b>	155.
	69" x 12" with 4"H mount	69"	12"	1"	<b>YR1CB6912B</b>	235.
	69" x 6" with 4"H mount	69"	6"	1"	<b>YR1CB6906B</b>	160.
Upper Cable Baskets for standing height table	69" x 6" with 7"H mount	69"	6"	1"	<b>YR1CB6906S</b>	207.
Lower Cable Baskets (6" D Shown) 	Attaches Below Upper Cable Basket	69"	6"	1"	<b>YR1CB6906H</b>	144.
	Attaches Below Upper Cable Basket	69"	12"	1"	<b>YR1CB6912H</b>	217.
Basket without mount	Specify mounting hardware separately	69"	6"	1"	<b>YR1CB6906N</b>	92.
Lower Cable Basket Mount Kit 	Used to Attach Lower Cable Basket to Upper Cable Basket			1 3/8"	<b>YR1CBH</b>	52.

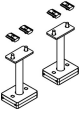
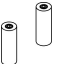


Power and Communications

Ordering Information	Order Code	Included With	Options
<b>Cable Clips</b>	<b>Cable Clips</b>	<b>Cable Clips</b>	<b>Cable Clips</b>
1. Pattern Number	<i>Example:</i> <b>YR1CC</b>	<b>Cable Basket</b>	<b>Cable Basket</b>
<b>Cable Basket</b>	<b>YR1CC</b> Cable Clips	Attachment Hardware	<b>Vertical Infeed/Wire Manager</b>
1. Pattern Number	<b>Vertical Infeed/Wire Manager</b>	<b>Cable Basket Extension Mount Kit</b>	
<b>Vertical Infeed/Wire Manager</b>	<i>Example:</i> <b>YR1VWM, 323</b>	Attachment Hardware	
1. Pattern Number	<b>YR1VWM</b> Vertical Infeed/Wire Manager	<b>Cable Basket Extra Mount Kit</b>	
2. Paint Finish	<b>118T</b> Bright White Paint	Attachment Hardware Plates	
		<b>Vertical Infeed/Wire Manager</b>	
		Attachment Hardware	

# Cable Management

## For Desks and Big Tables

### Cable Clips, Cable Baskets and Vertical Infeed/Wire Manager

description	type	w	d	h	pattern no.	list
 Cable Basket Extra Mount Kit	For desk height			4"	<b>YR1CBB4</b>	\$69.
	For standing height			7"	<b>YR1CBB7</b>	112.
 Cable Basket Extension Kit	Used to Extend Hang of Cable Basket			1 3/4"	<b>YR1CBX2</b>	18.
 Vertical Infeed/Wire Manager	For desks or desk height table	3"	2 1/2"	23"	<b>YR1VWM323</b>	382.
	For standing height table 36"h	3"	2 1/2"	31"	<b>YR1VWM330</b>	515.
	For standing height table 42"h	3"	2 1/2"	37"	<b>YR1VWM336</b>	515.
 Beam Cable Manager (set of 10)	Attaches to edge of center beam	1 1/8"	1 1/4"	2 1/2"	<b>YR1BCM10</b>	69.

Ordering Information	Order Code	Included With	Options
<b>Cable Clips</b>	<b>Cable Clips</b>	<b>Cable Clips</b>	<b>Cable Clips</b>
1. Pattern Number	<i>Example:</i> <b>YR1CC</b>	<b>Cable Basket</b>	<b>Cable Basket</b>
<b>Cable Basket</b>	<b>YR1CC</b> Cable Clips	Attachment Hardware	<b>Vertical Infeed/Wire Manager</b>
1. Pattern Number	<b>Vertical Infeed/Wire Manager</b>	<b>Cable Basket Extension Mount Kit</b>	
<b>Vertical Infeed/Wire Manager</b>	<i>Example:</i> <b>YR1VWM, 323</b>	Attachment Hardware	
1. Pattern Number	<b>YR1VWM</b> Vertical Infeed/Wire Manager	<b>Cable Basket Extra Mount Kit</b>	
2. Paint Finish	<b>118T</b> Bright White Paint	Attachment Hardware Plates	
		<b>Vertical Infeed/Wire Manager</b>	
		Attachment Hardware	

**Fence Planning Guidelines**

Fence is an independent 5" thick service wall intended to define the center of a cluster or the perimeter of a team space. Fence distributes and manages power, data and communications for a group of workspaces through the use of convenient outlets, accessible cable trays and slatwall. The unique Fence crown supports the end of a desk, screens and storage cabinets on stanchions in the center.

Fence can be specified at either 25" or 28 1/2" high. The 25" horizon aligns with the top of Antenna desk legs, enabling desk support rails to extend above the Fence crown top cap. The 28 1/2" horizon aligns with the top of a standard desk height top. The crown top cap corresponds in thickness and edge radius to an Antenna desk top.

Full or segmented covers to enclose the Fence structure are available with a painted, laminate or veneer surface. Full covers conceal the entire Fence structure, ending at the underside of the

crown. Segmented Fence covers are available as 9" high upper covers and 14" or 17" high lower covers. Fence covers are available in 12" width increments up to 72" and may span across straight frame-to-frame connections.

Fence can be configured in freestanding straight runs in any combination of 4', 5', or 6' widths, or in L, T, X, V or 120-degree Y connections.

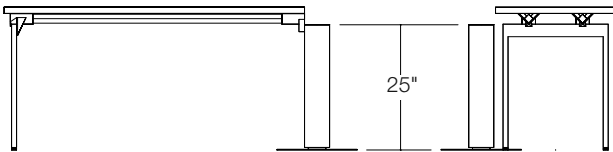
Modular power systems available for Fence connect to the building at any point under the base and distribute either Knoll 2+2 or 3+3 electrical components up to six circuits from a single infeed. The unique profile of the frame and covers enables hundreds of cables to be "laid in" across multiple frames.

Screens for Fence are available in heights that create a horizon of 42" for seated visual access or 49" for seated visual privacy attaching to either 25" or 28 1/2" high Fence. Stanchion Mounted cabinets are able to attach to Fence using stanchion brackets, creating a 49" high horizon.

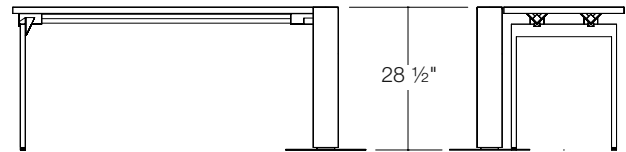
A Fence configuration consists of frames, legs, stabilizer feet, crown top caps, end covers, connectors, covers and power components.

The recommended planning sequence is:

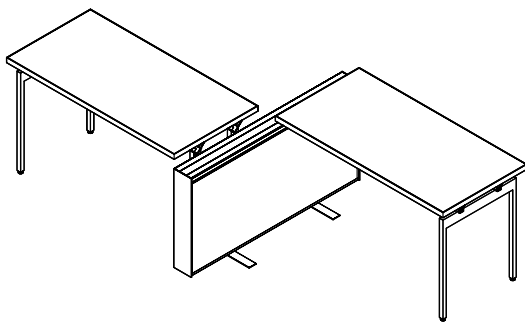
1. Determine the overall length and height of Fence frames and add legs/stabilizer feet where required (see stability guidelines).
2. Specify crown top caps to trim the top of the frame, flat ends for the ends of the frame and connectors for frame-to-frame connections.
3. Position outlet covers, cable tray and slatwall in desired location.
4. Fill in remaining frame openings with upper, lower and/or full covers.
5. Complete power specifications with outlet modules, duplex receptacles, infeeds and jumper cables.



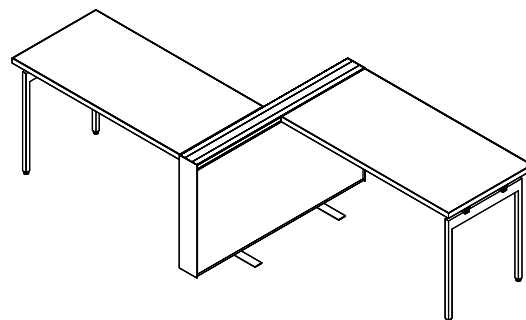
25"H Fence Elevations



28 1/2"H Fence Elevations



25"H Fence



28 1/2"H Fence

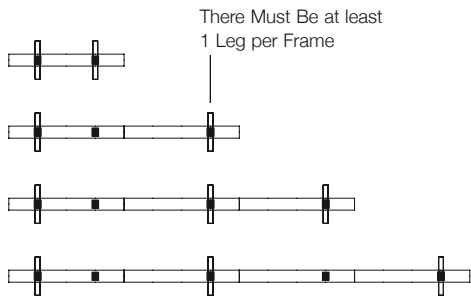
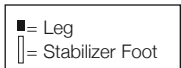


## Fence Stability Guidelines

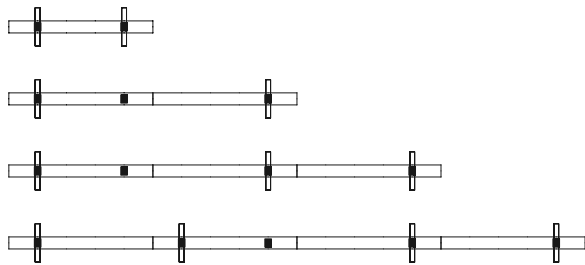
Fence can be planned in straight runs or connected in L, T, X, V or Y configurations. Legs are required 1' from any connector and a stabilizer foot should also be added 8' or less from an L, T or V connector. Two Fence legs are recommended for each frame when a desk

end support or upmounted storage cabinet application is planned. In addition to legs, a stabilizer foot should be added at each end and every 8' along a straight run. If storage or desk supports are not planned, Fence legs are required at each end of straight runs and every 4' or 5' with at least one per Fence frame.

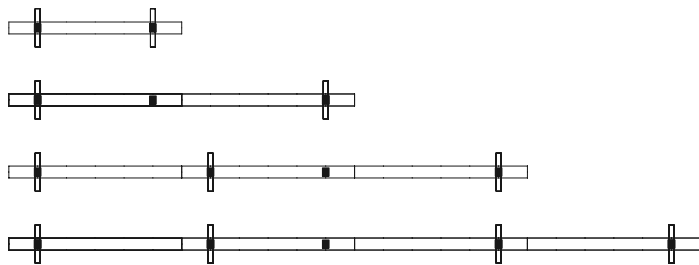
When supporting overhead storage, fence must be stabilized by attachment to an adjacent desk.



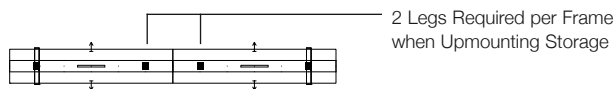
Straight Run Configurations using 48"W Frames



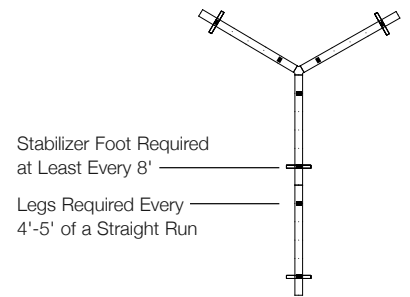
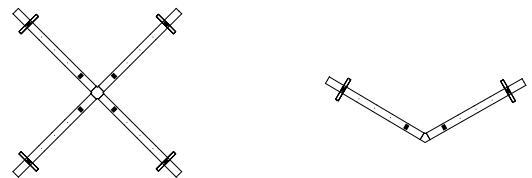
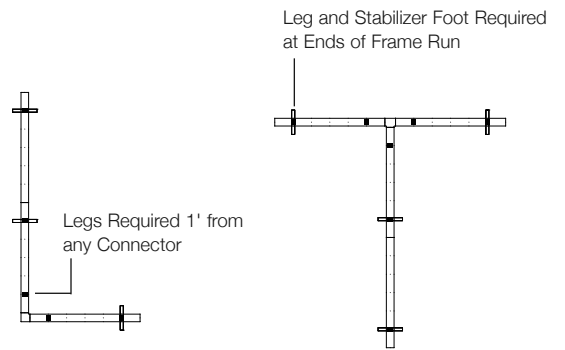
Straight Run Configurations using 60"W Frames



Straight Run Configurations using 72"W Frames



Straight 12' Run with Upmounted Storage



### Fence Structure

Fence frames are the base structure of a Fence application. Frames are designed with 1" x 2" vertical studs every 12". Half-width vertical studs at each end are welded to a 1" high horizontal crown and bottom channel that are the full width of the frame. Frames are 21" high and available in 4', 5' and 6' widths. Frames include one set of connectors to join to the next frame in a straight line. The top of the frame crown has features that enable desk support brackets to attach to either side of the Fence frame, as well as screen and storage stanchions in the center of the crown.

The bottom channel of the frame has ports to enable vertical cable feeds between studs. Studs have two ports that allow lateral distribution of power jumper cables. Steel clips are welded to both faces of the studs to support the attachment of Fence covers. Covers are offset 1" to enable lay-in cable management across the face of any length of interconnected frames. Cable clips can be specified separately to manage bundles of communication cables.

Fence is available in two heights: 25" and 28 1/2". The height of fence is determined by the height of the leg, specify 4" high legs for 25" high Fence or 7" high legs for 28 1/2" high Fence. Legs attach to the frame bottom channel 1" from each end. Legs are required 1' from any connector and a stabilizer foot should also be added 8" or less from an L, T or V connector. Two Fence legs are recommended for each frame when a desk end support or upmounted storage cabinet application is planned. If storage or desk supports are not planned, Fence legs are required at each end of straight runs and every 4' or 5' with at least one per Fence frame.

A stabilizer foot is a heavy gauge steel foot that attaches to a Fence leg and extends 6" on either side of the frame. In addition to legs, a stabilizer foot should be added at each end and every 8' along a straight run.

### Construction

Frames are 21" high steel weldments available in 48", 60", and 72" widths. Frames are composed of a 1" high crown, bottom rail, 1/2" wide roll formed studs at ends and 1" wide roll formed studs on 12" centers between the ends. Formed steel clips welded at the top, center and bottom of each stud enable covers to mount and snap into position without tools.

Legs are extruded aluminum with steel top and bottom plates to connect to the bottom of the frame 12" from either end and accept 3" high leveling glides with 2" adjustable height.

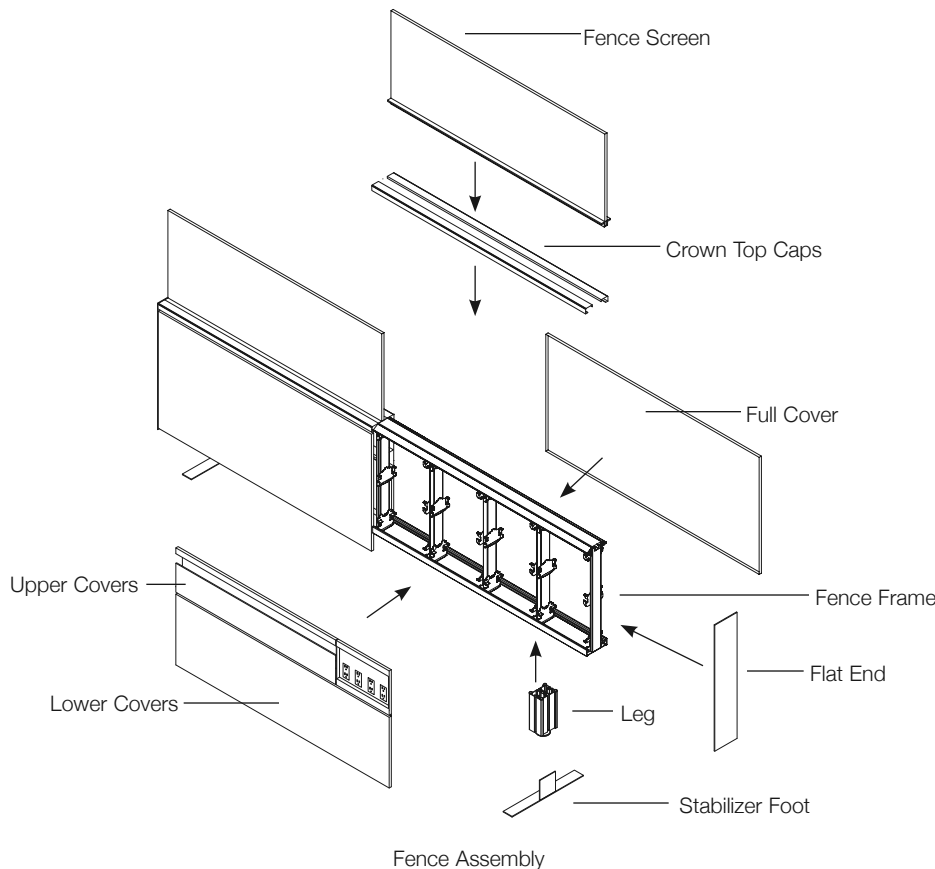
Stabilizer feet are an inverted T-shape constructed of welded steel that rests directly on the floor below the leveling glide.

Cable clips are molded black plastic, approximately 1 1/2"H x 3/4"D, and each can manage 10 or more CAT5 cables.

Antenna Fence frame is essentially similar to Currents Fence, but has a different bottom channel to enable the covers to extend to the floor. Legs and feet are unique to Antenna Fence.

### Specification Options

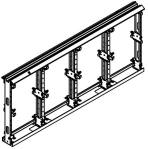
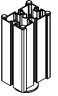
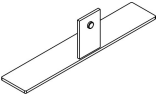
Frames have a black paint finish. The legs and stabilizer foot are available in any core paint finish. Cable clips (AR1PCC100) must be specified separately and are available in packages of 100.



Fence Components

# Fence Structure

## Frames, Legs and Stabilizer Foot

description	type	w	d	h	pattern no.	list
	48" Wide	48"	5"	21"	<b>YFF2148</b>	\$505.
	60" Wide	60"	5"	21"	<b>YFF2160</b>	598.
	72" Wide	72"	5"	21"	<b>YFF2172</b>	665.
	For sue with 25" High Fence	3 1/2"	4"	4"	<b>YFL25</b>	35.
	For use with 28 1/2" High Fence	3 1/2"	4"	7"	<b>YFL28</b>	46.
	For use with individual leg	4"	16"	1/4"	<b>YFLSF</b>	91.

### Ordering Information

#### Frame/Legs

1. Pattern Number

#### Stabilizer Foot

1. Pattern Number  
2. Paint Finish

### Order Code

#### Frame/Legs

*Example:* **YFF2148**

**YFF** Fence Frame

**21** Height

**48** Width

#### Stabilizer Foot

*Example:* **YFLSF, 118T**

**YFLSF** Stabilizer Foot

**118T** Bright White Paint

### Included With

#### Frame/Legs

**Stabilizer Foot**  
Attachment Hardware

### Options

#### Frame/Legs

**Stabilizer Foot**

### Fence Connectors and Trim

Each fence frame requires a pair of matching width crown top caps. Crown top caps match the profile of an Antenna desk top and snap on to either side of the frame crown, leaving a center channel accessible for mounting screens or overhead support stanchions.

Crown center channel can be filled with a crown top cap center channel. Center crown top caps can be trimmed on site to fit around stanchions or off module screens.

Fence flat ends attach directly to the outside ends of the frame, covering the ends of the crown top caps and edges of side covers.

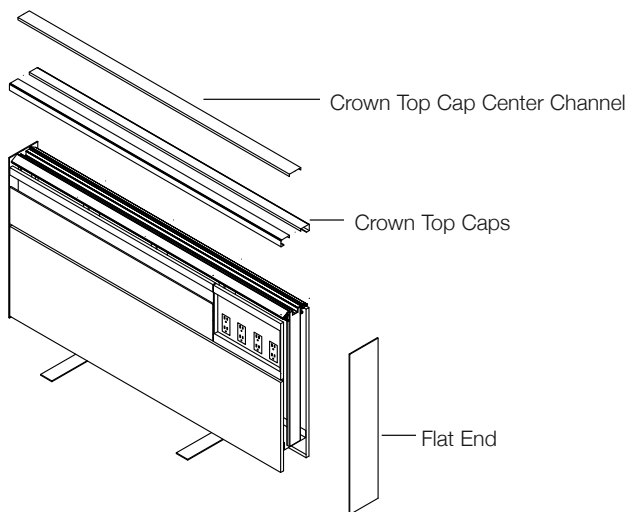
Fence connectors attach between two or more frames at a 90-degree or 120-degree angle creating L, X, T, V or Y conditions. Connectors add 1" in plan on either side. Connector kits include formed steel top and bottom brackets, inside and outside vertical trim covers, connector top cap and end caps for the ends of crown top caps.

### Construction

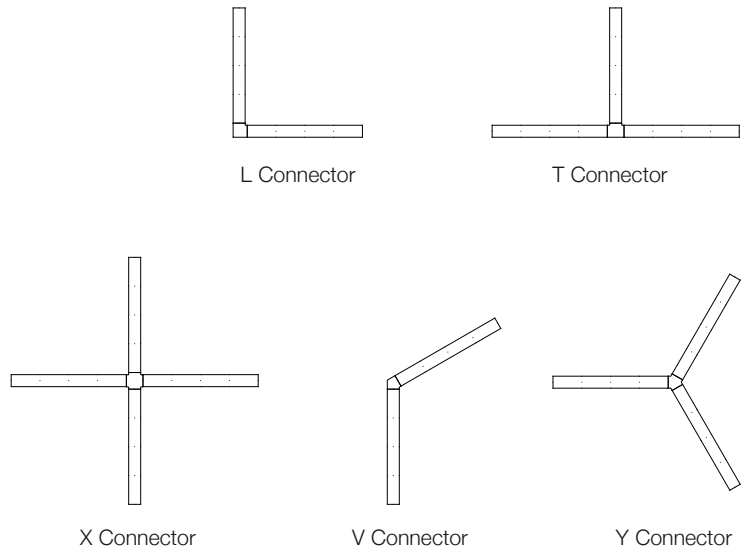
Crown top caps are painted extruded aluminum. Crown top cap center channels are extruded metal. Connector kits are comprised of formed steel top and bottom brackets and trim covers, molded plastic top caps and metal crown end caps.

### Specification Options

Crown top caps and crown top cap center channels can be specified in any core paint finish. Flat ends and connector covers can be specified in any core paint finish. For L, T, and V conditions, specify connector top cap and crown end caps, which are included in connector kits, in any core paint finish. For X and Y conditions, specify crown end caps in any core paint finish.





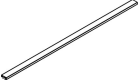
Connector and Trim Assembly Detail



Fence Connector Applications

# Fence Connectors and Trim






## *Antenna Crown Top Caps and Flat Ends*

description	type	w	d	h	pattern no.	list
Flat Ends 	For 28 1/2" High Fence		1/4"	28 1/2"	<b>YFJE28</b>	\$104.
	For use with 25" High Fence	5"	1/4"	25"	<b>YFJE25</b>	104.
Crown Top Caps (pair) 	For use with 48" wide frame	48"	1 1/2"	3/4"	<b>YFTC48</b>	58.
	For use with 60" wide frame	60"	1 1/2"	3/4"	<b>YFTC60</b>	81.
	For use with 72" wide frame	72"	1 1/2"	3/4"	<b>YFTC72</b>	91.
Crown Top Cap Center Channel 	For use with 48" wide crown top caps	48"	1 3/4"	3/4"	<b>YFCC48</b>	29.
	For use with 60" wide crown top caps	60"	1 3/4"	3/4"	<b>YFCC60</b>	40.
	For use with 72" wide crown top caps	72"	1 3/4"	3/4"	<b>YFCC72</b>	46.

Ordering Information	Order Code	Included With	Options
<b>Crown Covers/Flat Ends</b>	<b>Crown Covers/Flat Ends</b>	<b>Crown Covers/Flat Ends</b>	<b>Crown Covers/Flat Ends</b>
1. Pattern Number	<i>Example:</i> <b>YFJE25, 118T</b>		
2. Paint Finish	<b>YFJE</b> Flat End		
	<b>25</b> Height		
	<b>118T</b> Bright White Paint		

# Fence Connectors and Trim

## Antenna Connectors

description	type	w	d	h	pattern no.	list
L Connectors (Two-Way) 	For use with 25" High Fence	5"	5"	25"	<b>YFJL25</b>	\$517.
	For use with 28 1/2" High Fence	5"	5"	28 1/2"	<b>YFJL28</b>	517.
T Connectors (Three-Way) 	For use with 25" High Fence	5"	5"	25"	<b>YFJT25</b>	608.
	For use with 28 1/2" High Fence	5"	5"	28 1/2"	<b>YFJT28</b>	608.
X Connectors (Four-Way) 	For use with 25" High Fence	5"	5"	25"	<b>YFJX25</b>	654.
	For use with 28 1/2" High Fence	5"	5"	28 1/2"	<b>YFJX28</b>	654.
V Connectors (Two-Way 120 degree) 	For use with 25" High Fence	5"	5"	25"	<b>YFJV25</b>	831.
	For use with 28 1/2" High Fence	5"	5"	28 1/2"	<b>YFJV28</b>	831.
Y Connector (Three-Way 120 Degree) 	For use with 25" High Fence	5"	5"	25"	<b>YFJY25</b>	505.
	For use with 28 1/2" High Fence	5"	5"	28 1/2"	<b>YFJY28</b>	505.

### Ordering Information

#### Connectors

1. Pattern Number
2. Vertical Paint Finish (except for X and Y connector)
3. Top Cap Paint Finish
4. Crown End Cover Finish

### Order Code

#### Connectors

*Example:* **YFJT25, 118T, 118T, 118T**

<b>YFJT</b>	Fence T Connector
<b>25</b>	Height
<b>118T</b>	Bright White Paint
<b>118T</b>	Bright White Paint
<b>118T</b>	Bright White Paint

### Included With

#### Connectors

Attachment Hardware  
Connectors  
Trim

### Options

#### Connectors

### Fence Electrical Components

Fence is powered by a unique point-to-point configuration of standard Knoll 2+2 or 3+3 modular raceways. The central power component is the outlet module, which has integral hooks to hang from the top stud clips on the frame. The outlet module is less than 6" wide, so two outlet modules can fit side by side between any two studs.

Each face of the outlet module accepts two duplex outlets, unique to Antenna Fence, that extend to protrude through the outlet cover openings. Duplex receptacles must be specified to access one of the four or six circuits. The four ports at the bottom of an outlet module accept jumper cables or an infeed with up to three jumper cables.

### Jumpers

Jumper cables are available in various lengths up to 108" to link power between outlet modules. Side by side outlet modules behind a single outlet cover should be

joined by an 18" jumper, outlet modules behind adjacent outlet covers should be joined by a 24" jumper. For other planning conditions, fence jumpers need to be at least 24" wider than the width of the fence cover between outlet covers. For example, if outlet modules are positioned behind outlet covers separated by a 36" wide fence cover, they should be joined by a 60" or wider jumper.

### Infeeds

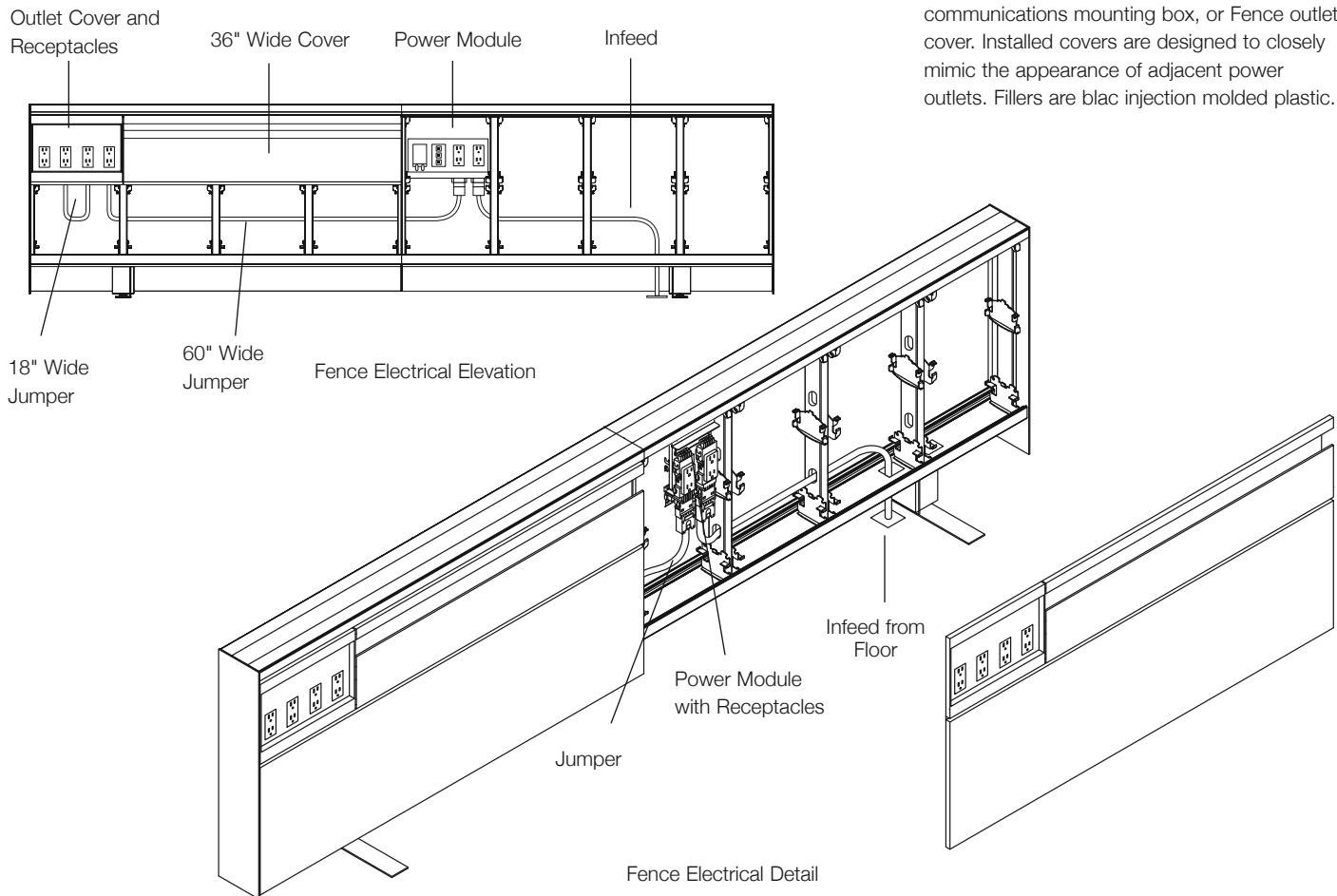
Two types of power infeeds, modular and hardwire, are available to connect the raceway to the building power supply. The modular infeed has a modular connector with a six foot pigtail that connects a junction box directly to Fence, through a port in the bottom of the frame, to an outlet module. Clad in metal conduit, the modular infeed is compliant with San Francisco electrical codes. A hardwire infeed, required in New York City, mounts to the frame and includes a connector with six foot pigtail that connects to an outlet module.

Infeed cables for both power and communications enter the Fence frame through the 1" space at the base of full or lower covers and the 3" (with 25" high Fence) or 6" (with 28 1/2" high Fence) space between the bottom of the frame and the floor.

### Data and Communications

The PDC module extension kit is a set of ten collars that snap securely into an outlet opening in Antenna communications mounting box or Fence outlets cover to project a new outlet mounting position 1/2" away from the face of the box or cover. This added depth can be crucial if communications connectors are unusually deep and are arrayed back to back in the mounting box or Fence. Interior space between back to back communications faceplates is 3" in mounting box, or 3 7/8" in Fence applications. Extension kit accepts most standard, decorative communications faceplates. PDC module extension kit is injection molded black plastic.

Outlet fillers are a kit of ten plastic filler plates that flex to snap securely into any unused outlet opening in Antenna raceway covers, communications mounting box, or Fence outlets cover. Installed covers are designed to closely mimic the appearance of adjacent power outlets. Fillers are black injection molded plastic.

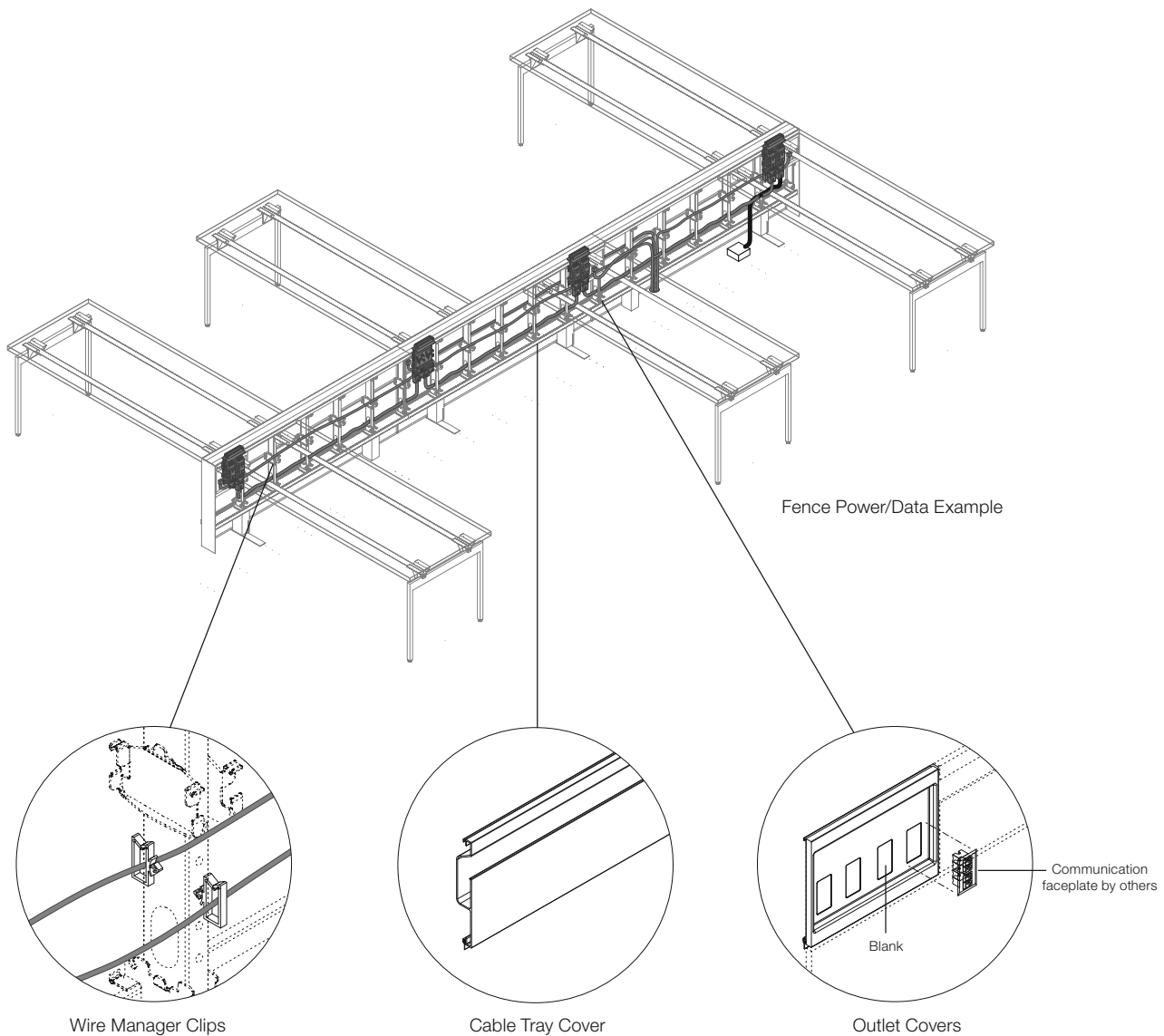


## Construction

The 2+2 electrical system distributes four 20-amp circuits in eight wires suitable for uninterrupted power supply applications. 2+2 electrical is configured with two hot wires that have a shared ground and neutral and two other hot wires that have separate shared ground and neutrals. The 3+3 electrical system distributes six 20-amp circuits in ten wires suitable for uninterrupted power supply applications. 3+3 electrical is configured with three hot wires with a shared ground and neutral and three other hot wires that have separate shared ground and neutrals.

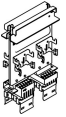
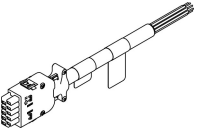
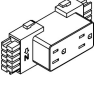

## Specification Options

For outlet modules, jumpers and infeeds, specify either the 2+2 or 3+3 electrical system. When using the 2+2 electrical system, specify duplex receptacles for circuits A, B, X or Y. When using the 3+3 electrical system, specify duplex receptacles for circuits A, B, C, X, Y or Z. Duplex receptacles for all circuits are available with a black face. X, Y and Z circuits are also available with an orange face or a black face with an orange triangle.



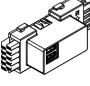
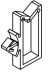


# Electrical Components for Fence 2+2 and 3+3 Electrical Systems

description	type	w	d	h	pattern no.	list
Outlet Modules 	2+2, Upper Level	6"	3 1/2"	8 1/2"	<b>YR1EOM</b>	\$170.
	3+3, Upper Level	6"	3 1/2"	8 1/2"	<b>YR1TOM</b>	198.
Infeeds 	2+2 Hardwire Infeed for New York City	85"	2 1/8"	2 3/8"	<b>YR1EPNY</b>	436.
	2+2 Modular Base Infeed	85"	2 1/8"	2 3/8"	<b>YR1EDPI</b>	198.
	3+3 Hardwire Infeed for New York City	85"	2 1/8"	2 3/8"	<b>YR1TPNY</b>	459.
	3+3 Modular Base Infeed	85"	2 1/8"	2 3/8"	<b>YR1TDPI</b>	229.
Duplex Receptacles, Extended Face For Use With Fence 	Circuit A, black	1 1/2"	2"	4 1/2"	<b>YR1XDA</b>	46.
	Circuit A, black with controlled symbol	1 1/2"	2"	4 1/2"	<b>YR1XDAC</b>	46.
	Circuit B, black	1 1/2"	2"	4 1/2"	<b>YR1XDB</b>	46.
	Circuit B, black with controlled symbol	1 1/2"	2"	4 1/2"	<b>YR1XDDB</b>	46.
	Circuit C, black	1 1/2"	2"	4 1/2"	<b>YR1XDC</b>	46.
	Circuit C, black with controlled symbol	1 1/2"	2"	4 1/2"	<b>YR1XDCC</b>	46.
	Circuit X, black	1 1/2"	2"	4 1/2"	<b>YR1XDX</b>	46.
	Circuit X, black with controlled symbol	1 1/2"	2"	4 1/2"	<b>YR1XDXC</b>	46.
	Circuit X, black with orange triangle	1 1/2"	2"	4 1/2"	<b>YR1XDXT</b>	46.
	Circuit X, orange	1 1/2"	2"	4 1/2"	<b>YR1XD XO</b>	46.
	Circuit Y, black	1 1/2"	2"	4 1/2"	<b>YR1XDY</b>	46.
	Circuit Y, black with controlled symbol	1 1/2"	2"	4 1/2"	<b>YR1XDYC</b>	46.
	Circuit Y, black with orange triangle	1 1/2"	2"	4 1/2"	<b>YR1XDYT</b>	46.
	Circuit Y, orange	1 1/2"	2"	4 1/2"	<b>YR1XDYO</b>	46.
Circuit Z, black	1 1/2"	2"	4 1/2"	<b>YR1XDZ</b>	46.	
Circuit Z, black with controlled symbol	1 1/2"	2"	4 1/2"	<b>YR1XDZC</b>	46.	
Circuit Z, black with orange triangle	1 1/2"	2"	4 1/2"	<b>YR1XDZT</b>	46.	
Circuit Z, orange	1 1/2"	2"	4 1/2"	<b>YR1XDZO</b>	46.	
Outlet Fillers 	Package of 10	1 1/4"	1/4"	2 1/2"	<b>YROF</b>	35.
PDC Module Extension Kit	Package of 10				<b>YR1PDCX</b>	141.

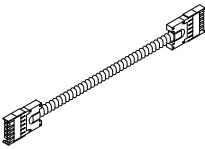
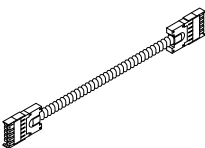
Ordering Information	Order Code	Included With	Options
<b>Electrical Components</b> 1. Pattern Number	<b>Electrical Components</b> <i>Example:</i> <b>YR1EOM12</b> <b>YR1EOM</b> Outlet Module <b>12</b> Width	<b>Electrical Components</b>	<b>Electrical Components</b>

# Electrical Components for Fence 2+2 and 3+3 Electrical Systems

description	type	w	d	h	pattern no.	list
 USB Duplex, Extended Face For Use With Fence	Circuit A, black	1 1/2"	2"	4 1/2"	<b>YR1XUSBA</b>	\$190.
	Circuit B, black	1 1/2"	2"	4 1/2"	<b>YR1XUSBB</b>	190.
	Circuit C, black	1 1/2"	2"	4 1/2"	<b>YR1XUSBC</b>	190.
	Circuit X, black	1 1/2"	2"	4 1/2"	<b>YR1XUSBX</b>	190.
	Circuit Y, black	1 1/2"	2"	4 1/2"	<b>YR1XUSBY</b>	190.
	Circuit Z, black	1 1/2"	2"	4 1/2"	<b>YR1XUSBZ</b>	190.
 Cable Clips for Wall Studs	Package of 100	1/4"	1/2"	1 1/2"	<b>YR1PCC100</b>	84.

Ordering Information	Order Code	Included With	Options
<b>Electrical Components</b> 1. Pattern Number	<b>Electrical Components</b> <i>Example:</i> <b>YR1EOM12</b> <b>YR1EOM</b> Outlet Module <b>12</b> Width	<b>Electrical Components</b>	<b>Electrical Components</b>

# Electrical Components for Fence 2+2 and 3+3 Electrical Systems

description	type	w	d	h	pattern no.	list
 <p>Jumper Cable, 2+2</p>	For adjacent outlet modules behind one cover	18"	1"	1"	<b>YR1EJ18</b>	\$113.
	For outlets behind adjacent outlet covers	24"	1"	1"	<b>YR1EJ24</b>	119.
	For 12" between outlet covers	36"	1"	1"	<b>YR1EJ36</b>	134.
	For 24" between outlet covers	48"	1"	1"	<b>YR1EJ48</b>	155.
	For 36" between outlet covers	60"	1"	1"	<b>YR1EJ60</b>	171.
	For 48" between outlet covers	72"	1"	1"	<b>YR1EJ72</b>	187.
	For 60" between outlet covers	84"	1"	1"	<b>YR1EJ84</b>	207.
	For 72" between outlet covers	96"	1"	1"	<b>YR1EJ96</b>	222.
	For 84" between outlet covers	108"	1"	1"	<b>YR1EJ108</b>	231.
 <p>Jumper Cable, 3+3</p>	For adjacent outlet modules behind one cover	18"	1"	1"	<b>YR1TJ18</b>	147.
	For outlets behind adjacent outlet covers	24"	1"	1"	<b>YR1TJ24</b>	155.
	For 12" between outlet covers	36"	1"	1"	<b>YR1TJ36</b>	175.
	For 24" between outlet covers	48"	1"	1"	<b>YR1TJ48</b>	202.
	For 36" between outlet covers	60"	1"	1"	<b>YR1TJ60</b>	222.
	For 48" between outlet covers	72"	1"	1"	<b>YR1TJ72</b>	243.
	For 60" between outlet covers	84"	1"	1"	<b>YR1TJ84</b>	270.
	For 72" between outlet covers	96"	1"	1"	<b>YR1TJ96</b>	290.
	For 84" between outlet covers	108"	1"	1"	<b>YR1TJ108</b>	299.

Ordering Information	Order Code	Included With	Options
<b>Electrical Components</b> 1. Pattern Number	<b>Electrical Components</b> <i>Example:</i> <b>YR1TJ36</b> <b>YR1TJ</b> Jumper Cable <b>36</b> Width	<b>Electrical Components</b>	<b>Electrical Components</b>

### Fence Upper Covers

Upper covers are nominal 9"H and mount only in the upper position of each face of the frame, 1/2" below and flush with the crown covers. Specifying the surface covers of the fence should begin by locating outlets covers and any functional surface covers—integral cable tray or slatwall. Other surface covers can be painted wood, laminate, or veneer. Covers attach using full width extrusions that hang from the top stud clips and snap onto the middle clips on the studs.

Outlets covers are 12" wide with a 1/2" deep recessed surface and four standard duplex outlet openings. Each outlet opening is oriented vertically and is sized to fit around a power outlet or standard Decora-size snap-in data/communications outlet. Hardwired outlet covers are also available when required by code.

Cable tray covers are designed to enable user-accessible cable management within the surface of the Fence between outlet covers. Slatwall has integral slots from which KnollExtra accessories can be hung from the surface of the Fence. Cable tray and slatwall covers are available in 12" widths up to 72".

Upper covers are also available with a painted or laminate finish in widths from 12"-72" or with a Techwood or natural veneer finish in widths from 12"-48". The grain direction is vertical for veneer covers.

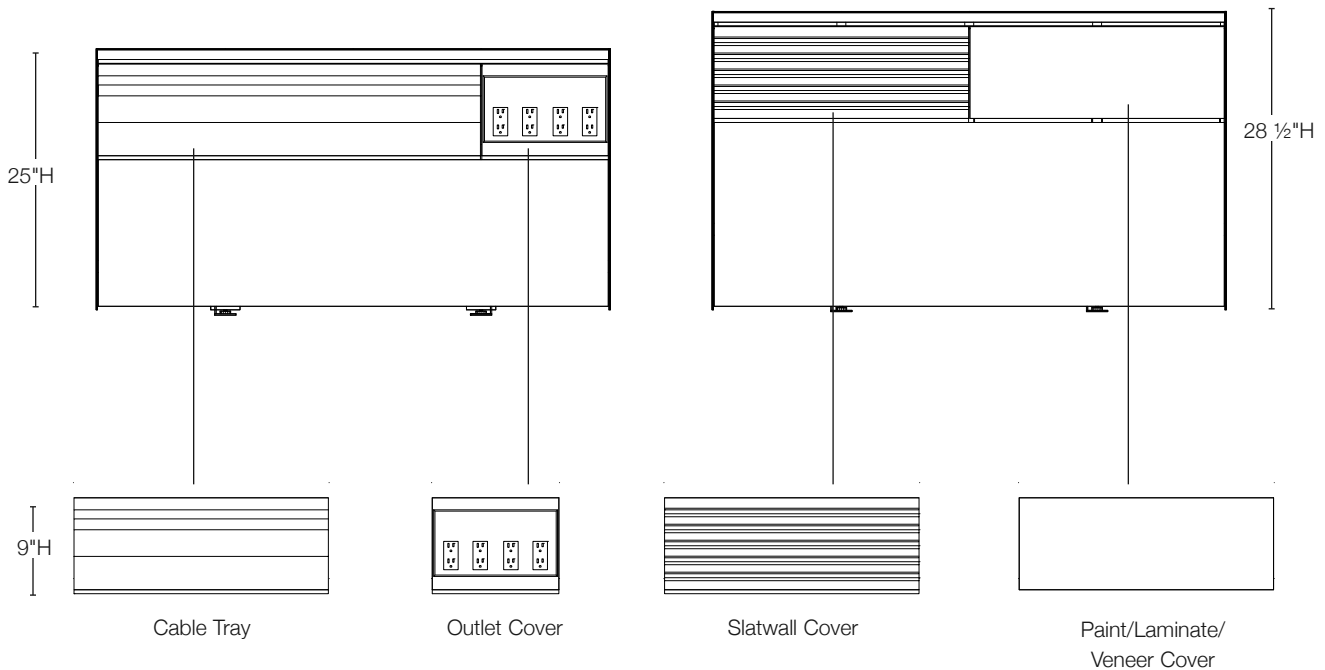
### Construction

Modular outlet covers are constructed of injection molded plastic and hardwire outlet covers are formed steel. Cable trays and slatwall are extruded aluminum with integral top and bottom hook details. Painted, laminate and veneer upper covers have a 1/2" thick wood core with top and bottom aluminum extrusions to engage to the stud clips.

### Specification Options

Outlet covers, cable tray, slatwall, and painted upper covers are available in any Knoll core paint finish. Laminate covers are available in any Knoll core laminate finish. Veneer covers are available in any Knoll core Techwood or natural veneer finish. Veneer and patterned laminate upper covers are only available in widths up to 48".

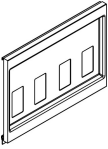
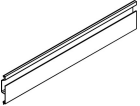
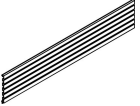
Elevation of Upper Covers for 25" and 28 1/2" High Fence



# Upper Covers

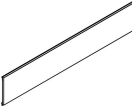
## Outlet, Cable Tray and Slatwall Covers

### For 25" or 28" High Fence

description	type	w	d	h	pattern no.	list
Upper Outlet Covers 	Modular	12"	1"	9"	<b>YFCOC</b>	\$46.
	Hardwire	12"	1"	9"	<b>YFCHOC</b>	115.
Upper Cable Tray Covers 		12"	1"	9"	<b>YFC0912C</b>	46.
		24"	1"	9"	<b>YFC0924C</b>	81.
		36"	1"	9"	<b>YFC0936C</b>	115.
		48"	1"	9"	<b>YFC0948C</b>	160.
		60"	1"	9"	<b>YFC0960C</b>	195.
		72"	1"	9"	<b>YFC0972C</b>	230.
Upper Slatwall Covers 		12"	1"	9"	<b>YFC0912S</b>	40.
		24"	1"	9"	<b>YFC0924S</b>	69.
		36"	1"	9"	<b>YFC0936S</b>	104.
		48"	1"	9"	<b>YFC0948S</b>	138.
		60"	1"	9"	<b>YFC0960S</b>	173.
		72"	1"	9"	<b>YFC0972S</b>	206.

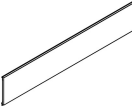
Ordering Information	Order Code	Included With	Options
<b>Upper Covers</b>	<b>Upper Covers</b>	<b>Upper Covers</b>	<b>Upper Covers</b>
1. Pattern Number	<i>Example:</i> <b>YFCOC, 118T</b>		
2. Paint Finish	<b>YFCOC</b> Outlet Cover		
	<b>118T</b> Bright White Paint		

Upper Covers  
*Painted*  
 For 25" or 28" High Fence

description	w	d	h	pattern no.	list
Upper Painted Covers	12"	3/4"	9"	<b>YFC0912P</b>	\$154.
	24"	3/4"	9"	<b>YFC0924P</b>	165.
	36"	3/4"	9"	<b>YFC0936P</b>	177.
	48"	3/4"	9"	<b>YFC0948P</b>	189.
	60"	3/4"	9"	<b>YFC0960P</b>	224.
	72"	3/4"	9"	<b>YFC0972P</b>	247.

Ordering Information	Order Code	Included With	Options
<b>Painted Covers</b>	<b>Painted Covers</b>	<b>Painted Covers</b>	<b>Painted Covers</b>
1. Pattern Number	<i>Example:</i> <b>YFC0936P, 118T</b>		
2. Paint Finish	<b>YFC</b> Fence Cover		
	<b>09</b> Height		
	<b>36</b> Width		
	<b>P</b> Painted		
	<b>118T</b> Bright White Paint		

Upper Covers  
*Laminate*  
*For 25" or 28" High Fence*

description	w	d	h	pattern no.	list
Upper Laminate Covers	12"	3/4"	9"	<b>YFC0912L</b>	\$165.
	24"	3/4"	9"	<b>YFC0924L</b>	189.
	36"	3/4"	9"	<b>YFC0936L</b>	212.
	48"	3/4"	9"	<b>YFC0948L</b>	236.
	60"	3/4"	9"	<b>YFC0960L</b>	306.
	72"	3/4"	9"	<b>YFC0972L</b>	330.

**Ordering Information**

**Laminate Covers**

1. Pattern Number
2. Laminate Finish

**Order Code**

**Laminate Covers**

*Example:* **YFC0936L, 118**

<b>YFC</b>	Fence Cover
<b>09</b>	Height
<b>36</b>	Width
<b>L</b>	Laminate
<b>118</b>	Bright White Laminate

**Included With**

Laminate Covers


**Options**

Laminate Covers

# Upper Covers

## Veneer

### For 25" or 28" High Fence

description	w	d	h	pattern no.	V1	V2	V3
Upper Veneer Covers 	12"	3/4"	9"	<b>YFC0912V</b>	\$461.	\$532.	\$717.
	24"	3/4"	9"	<b>YFC0924V</b>	515.	590.	797.
	36"	3/4"	9"	<b>YFC0936V</b>	593.	683.	919.
	48"	3/4"	9"	<b>YFC0948V</b>	650.	748.	1,011.

#### Ordering Information

- Veneer Covers**  
 1. Pattern Number  
 2. Veneer Finish

#### Order Code

<b>Veneer Covers</b>	
<i>Example:</i> <b>YFC0936V, Y316</b>	
<b>YFC</b>	Fence Cover
<b>09</b>	Height
<b>36</b>	Width
<b>V</b>	Veneer
<b>Y316</b>	Maple

#### Included With

Veneer Covers

#### Options

Veneer Covers



# Lower Covers

## Planning Guidelines and Specifications

### Fence Lower Covers

Lower covers fill the space below upper covers on Fence down to 1" above the floor level, which allows continuous cable entry/exit. Lower covers are planned in the lower section of Fence below upper covers and can be combined with adjacent full covers on the Fence. Lower covers attach using full width extrusions that hang from the middle position stud clips and snap onto the bottom position clips on the studs.

Specify 14" high lower covers for use with 25" high Fence and 17" high lower covers for use with 28 1/2" high Fence.

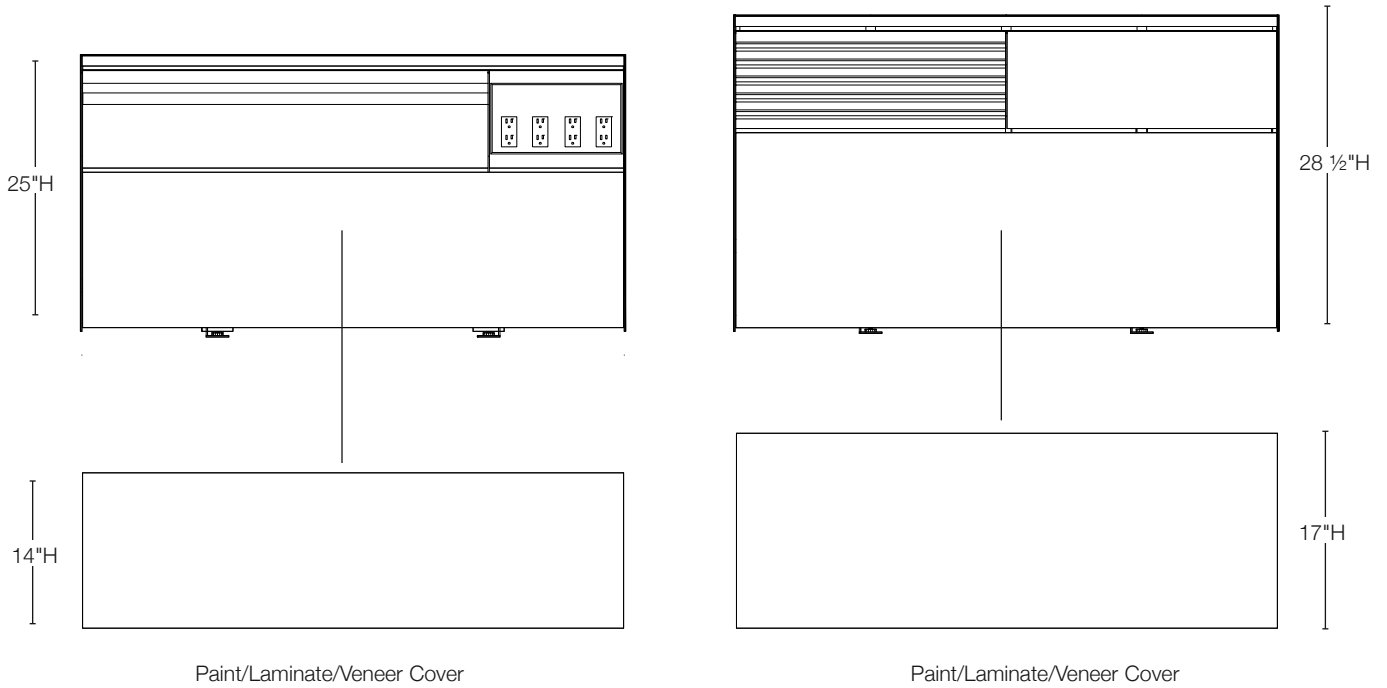
### Construction

Painted, laminate and veneer upper covers have a 1/2" thick wood core with top and bottom aluminum extrusions to engage to the stud clips.

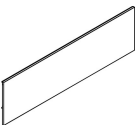
### Specification Options


Painted upper covers are available in any Knoll core paint finish. Laminate covers are available in any Knoll core laminate finish. Veneer covers are available in any Knoll core Techwood or natural veneer finish. The grain direction is vertical for veneer covers. Veneer and patterned laminate upper covers are only available in widths up to 48".

Elevation of Lower Covers for 25" and 28 1/2" High Fence



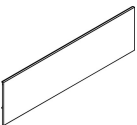
Lower Covers  
*Painted*  
 For 25" or 28" High Fence


description	w	d	h	pattern no.	list
Lower Painted Covers for 25" High Fence 	12"	3/4"	14"	<b>YFC1412P</b>	\$154.
	24"	3/4"	14"	<b>YFC1424P</b>	165.
	36"	3/4"	14"	<b>YFC1436P</b>	177.
	48"	3/4"	14"	<b>YFC1448P</b>	189.
	60"	3/4"	14"	<b>YFC1460P</b>	224.
	72"	3/4"	14"	<b>YFC1472P</b>	247.

Lower Painted Covers for 28" High Fence 	12"	3/4"	17"	<b>YFC1712P</b>	154.
	24"	3/4"	17"	<b>YFC1724P</b>	165.
	36"	3/4"	17"	<b>YFC1736P</b>	177.
	48"	3/4"	17"	<b>YFC1748P</b>	189.
	60"	3/4"	17"	<b>YFC1760P</b>	224.
	72"	3/4"	17"	<b>YFC1772P</b>	247.

Ordering Information	Order Code	Included With	Options
<b>Painted Covers</b>	<b>Painted Covers</b>	<b>Painted Covers</b>	<b>Painted Covers</b>
1. Pattern Number	<i>Example:</i> <b>YFC1736P, 118T</b>		
2. Paint Finish	<b>YFC</b> Fence Cover		
	<b>17</b> Height		
	<b>36</b> Width		
	<b>P</b> Painted		
	<b>118T</b> Bright White Paint		

Lower Covers  
*Laminate*  
*For 25" or 28" High Fence*

description	w	d	h	pattern no.	list
Lower Laminate Covers for 25" High Fence 	12"	3/4"	14"	<b>YFC1412L</b>	\$165.
	24"	3/4"	14"	<b>YFC1424L</b>	189.
	36"	3/4"	14"	<b>YFC1436L</b>	212.
	48"	3/4"	14"	<b>YFC1448L</b>	236.
	60"	3/4"	14"	<b>YFC1460L</b>	306.
	72"	3/4"	14"	<b>YFC1472L</b>	330.

Lower Laminate Covers for 28" High Fence 	12"	3/4"	17"	<b>YFC1712L</b>	165.
	24"	3/4"	17"	<b>YFC1724L</b>	206.
	36"	3/4"	17"	<b>YFC1736L</b>	231.
	48"	3/4"	17"	<b>YFC1748L</b>	253.
	60"	3/4"	17"	<b>YFC1760L</b>	366.
	72"	3/4"	17"	<b>YFC1772L</b>	384.

**Ordering Information**

**Laminate Covers**

1. Pattern Number
2. Laminate Finish

**Order Code**

<b>Laminate Covers</b>	
<i>Example: YFC1736L, 118</i>	
<b>YFC</b>	Fence Cover
<b>17</b>	Height
<b>36</b>	Width
<b>L</b>	Laminate
<b>118</b>	Bright White Laminate

**Included With**

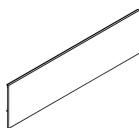
Laminate Covers

**Options**

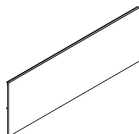
Laminate Covers

Lower Covers  
*Veneer*  
*For 25" or 28" High Fence*

description	w	d	h	pattern no.	V1	V2	V3
Lower Veneer Covers for 25" High Fence	12"	3/4"	14"	<b>YFC1412V</b>	\$481.	\$552.	\$746.
	24"	3/4"	14"	<b>YFC1424V</b>	546.	628.	848.
	36"	3/4"	14"	<b>YFC1436V</b>	632.	727.	982.
	48"	3/4"	14"	<b>YFC1448V</b>	691.	793.	1,072.



Lower Veneer Covers for 28" High Fence	12"	3/4"	17"	<b>YFC1712V</b>	486.	559.	755.
	24"	3/4"	17"	<b>YFC1724V</b>	556.	640.	863.
	36"	3/4"	17"	<b>YFC1736V</b>	645.	743.	1,001.
	48"	3/4"	17"	<b>YFC1748V</b>	714.	821.	1,109.



Fence Components

Ordering Information	Order Code	Included With	Options
<b>Veneer Covers</b>	<b>Veneer Covers</b>	<b>Veneer Covers</b>	<b>Veneer Covers</b>
1. Pattern Number	<i>Example:</i> <b>YFCO936V, Y316</b>		
2. Veneer Finish	<b>YFC</b> Fence Cover		
	<b>09</b> Height		
	<b>36</b> Width		
	<b>V</b> Veneer		
	<b>Y316</b> Maple		

# Full Covers

## Planning Guidelines and Specifications

### Fence Full Covers

Full covers fill the entire side of Fence, from the space below the crown down to 1" above the floor allowing continuous cable entry/exit. Full covers can be planned adjacent to any combination of upper and lower covers on Fence. Full covers attach using full width extrusions that hang from the top position stud clips and snap onto the bottom stud clips.

Specify 23" high full covers for use with 25" high Fence and 26" high full covers for use with 28 1/2" high Fence.

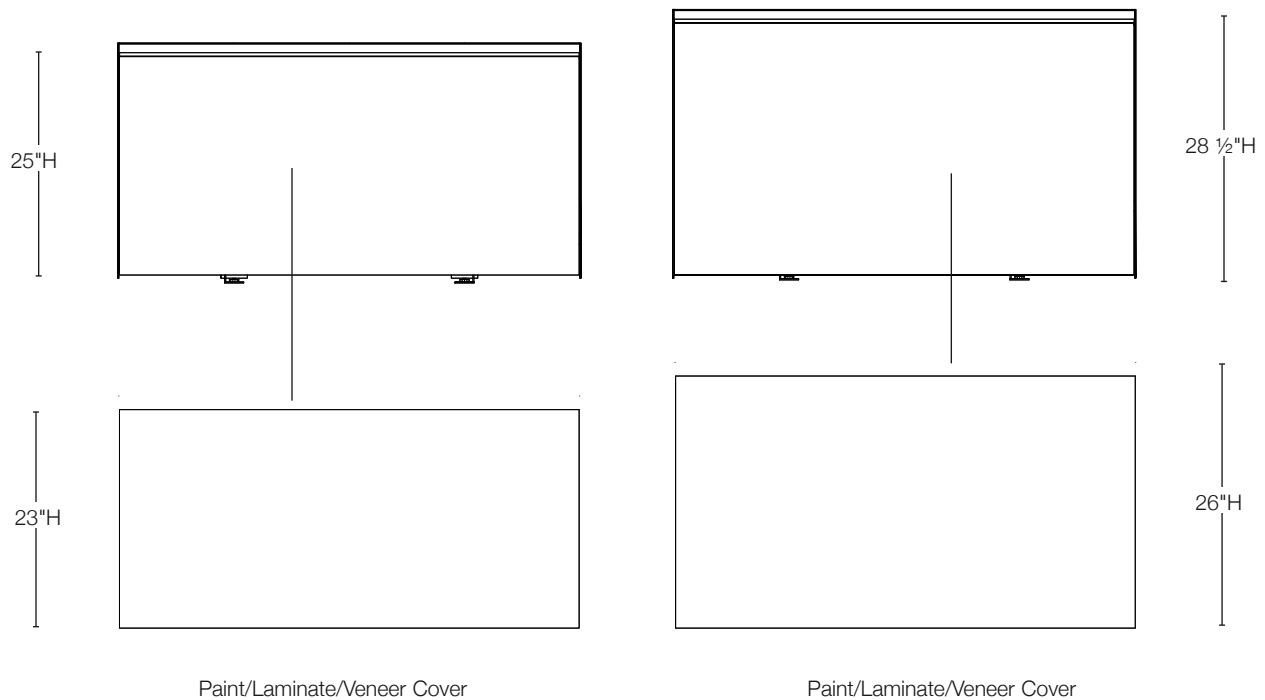
### Construction

Painted, laminate and veneer full covers have a 1/2" thick wood core with top and bottom aluminum extrusions to engage to the stud clips.

### Specification Options

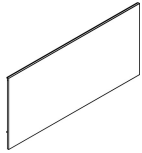
Painted full covers are available in any Knoll core paint finish. Laminate full covers are available in any Knoll core laminate finish. Veneer full covers are available in any Knoll core Techwood or natural veneer finish. The grain direction is vertical for veneer covers. Veneer and patterned laminate upper covers are only available in widths up to 48".

Elevation of Full Covers for 25" and 28 1/2" High Fence

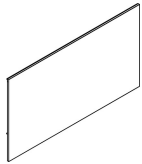


Full Covers  
*Painted*  
 For 25" or 28" High Fence

description	w	d	h	pattern no.	list
Full Painted Covers for 25" High Fence	24"	3/4"	23"	<b>YFC2324NP</b>	\$171.
	36"	3/4"	23"	<b>YFC2336NP</b>	183.
	48"	3/4"	23"	<b>YFC2348NP</b>	195.
	60"	3/4"	23"	<b>YFC2360NP</b>	236.
	72"	3/4"	23"	<b>YFC2372NP</b>	260.



Full Painted Covers for 28" High Fence	24"	3/4"	26"	<b>YFC2624NP</b>	171.
	36"	3/4"	26"	<b>YFC2636NP</b>	183.
	48"	3/4"	26"	<b>YFC2648NP</b>	195.
	60"	3/4"	26"	<b>YFC2660NP</b>	236.
	72"	3/4"	26"	<b>YFC2672NP</b>	260.



**Ordering Information**

**Painted Covers**

1. Pattern Number
2. Paint Finish

**Order Code**

**Painted Covers**

*Example:* **YFC2636NP, 118T**

**YFC2** Fence Cover

**26** Height

**36** Width

**N** No outlets

**P** Painted

**118T** Bright White Paint

**Included With**

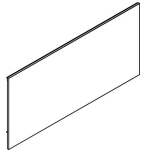
**Painted Covers**

**Options**

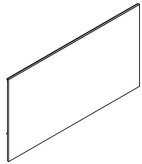
**Painted Covers**

Full Covers  
*Laminate*  
*For 25" or 28" High Fence*

description	w	d	h	pattern no.	list
Full Laminate Covers for 25" High Fence	24"	3/4"	23"	<b>YFC2324NL</b>	\$247.
	36"	3/4"	23"	<b>YFC2336NL</b>	272.
	48"	3/4"	23"	<b>YFC2348NL</b>	306.
	60"	3/4"	23"	<b>YFC2360NL</b>	390.
	72"	3/4"	23"	<b>YFC2372NL</b>	425.



Full Laminate Covers for 28" High Fence	24"	3/4"	26"	<b>YFC2624NL</b>	247.
	36"	3/4"	26"	<b>YFC2636NL</b>	272.
	48"	3/4"	26"	<b>YFC2648NL</b>	306.
	60"	3/4"	26"	<b>YFC2660NL</b>	389.
	72"	3/4"	26"	<b>YFC2672NL</b>	473.



**Ordering Information**

**Laminate Covers**

1. Pattern Number
2. Laminate Finish

**Order Code**

**Laminate Covers**

*Example:* **YFC2636NL, 118**

**YFC2** Fence Cover

**26** Height

**36** Width

**N** No outlets

**L** Laminate

**118** Bright White Laminate

**Included With**

**Laminate Covers**

**Options**

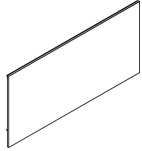
**Laminate Covers**

# Full Covers

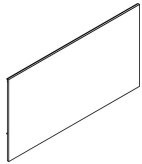
## Veneer

### For 25" or 28" High Fence

description	w	d	h	pattern no.	V1	V2	V3
Full Veneer Covers for 25" High Fence	24"	3/4"	23"	<b>YFC2324NV</b>	\$577.	\$663.	\$897.
	36"	3/4"	23"	<b>YFC2336NV</b>	673.	776.	1,048.
	48"	3/4"	23"	<b>YFC2348NV</b>	748.	860.	1,161.



Full Veneer Covers for 28" High Fence	24"	3/4"	26"	<b>YFC2624NV</b>	586.	674.	935.
	36"	3/4"	26"	<b>YFC2636NV</b>	692.	795.	1,073.
	48"	3/4"	26"	<b>YFC2648NV</b>	765.	879.	1,188.



Ordering Information	Order Code	Included With	Options
<b>Veneer Covers</b>	<b>Veneer Covers</b>	<b>Veneer Covers</b>	<b>Veneer Covers</b>
1. Pattern Number	<i>Example:</i> <b>YFC2636NV, Y316</b>		
2. Veneer Finish	<b>YFC2</b> Fence Cover		
	<b>26</b> Height		
	<b>36</b> Width		
	<b>N</b> No outlets		
	<b>V</b> Veneer		
	<b>Y316</b> Maple		



### Antenna Screens

Antenna screens provide partial enclosure for workspaces to a horizon of 42"—seated visual access—or 49"—seated visual privacy, in four applications: desk mounted, floorstanding desk mounted, big table-mounted, and fence-mounted. In each application screens are available in a variety of surface finishes for aesthetics, performance and price point.

### Desk Screens

Desk mounted screens provide enclosure both above and below the top, starting from either 10 1/2" or 22 1/2" above the floor. The 10 1/2" starting point aligns with the bottom of suspended files or cabinets. The 22 1/2" starting point aligns with the bottom of the horizontal element of a standard desk leg. Desk mounted screens attach directly to the back or end of a desk top with two brackets that also define a 1 1/4" offset for wire management and clamp-on accessories. Brackets are located 3 1/2" from each end of screens 24"-30" wide and 12" from each

end of screens 36" and wider. Brackets will not interfere with standard leg cradles or rails but screens cannot be mounted at the end of desks with table desk end legs. Desk mounted screens cannot be mounted directly behind full depth floorstanding pedestals.

Desk mounted screens are not compatible with single sided big tables.

Screens are available in widths corresponding to standard top depths 24", 27", 30" and desk widths from 36"-72" wide in 6" increments. In most applications screens can be mounted to matching width or wider tops. In back-to-back desk configurations screens cannot overlap back to back desk end legs.

### Two types of screens are available:

- Frameless laminate, marker surface or veneer screens are 3/4" thick with matching edge and crisp, eased corners.
- Fabric screens are 1 1/4" thick, with painted perimeter frame capturing a wood structural core and tackable, fabric wrapped inserts on each face.

### Construction

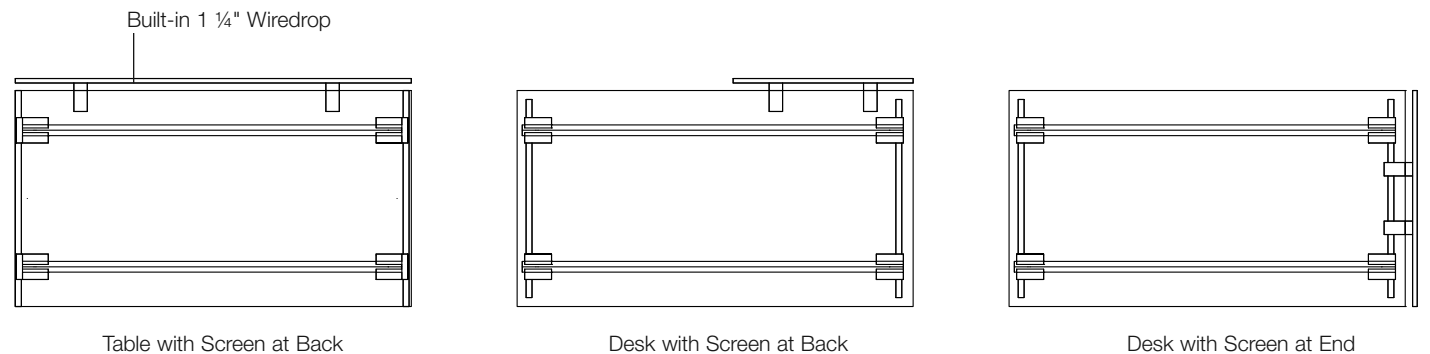
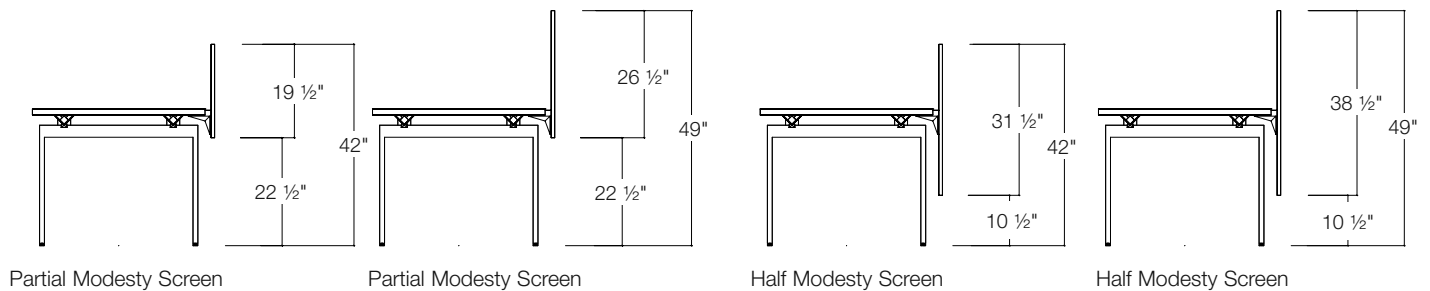
Frameless screens are 3/4" MDF construction, with threaded inserts at bracket locations.

Fabric screens have a 1/2" MDF core, with 3/8" thick tackable PET material inserts on each side wrapped in fabric, and aluminum perimeter frame with seamless corners. Fabric screens have threaded metal inserts at bracket locations.

### Specification Options

For frameless screens specify surface type: laminate (L) or veneer (V); finish, any core laminate or dry-erase marker surface (M), or any core Techwood or natural veneer. Brushed Sand (122) and Brushed Grey (123) are not available on laminate screens. Also specify bracket color, in any core paint finish.

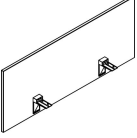
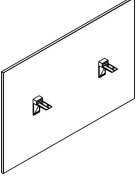
For fabric screens specify fabric, perimeter frame and brackets painted finishes.



# Desk Screens

## *Fabric*

### *For 42" High Horizon*

description	w	d	h	pattern no.	10	20	30	40	45
Fabric Screens with Partial Modesty For Desks, 42" High Horizon 	24"	1 1/4"	20"	<b>YPSB2024F</b>	\$619.	\$650.	\$683.	\$713.	\$743.
	27"	1 1/4"	20"	<b>YPSB2027F</b>	638.	668.	700.	732.	764.
	30"	1 1/4"	20"	<b>YPSB2030F</b>	654.	688.	720.	753.	785.
	36"	1 1/4"	20"	<b>YPSB2036F</b>	729.	765.	802.	838.	874.
	42"	1 1/4"	20"	<b>YPSB2042F</b>	757.	795.	832.	871.	909.
	48"	1 1/4"	20"	<b>YPSB2048F</b>	780.	819.	858.	897.	936.
	54"	1 1/4"	20"	<b>YPSB2054F</b>	838.	880.	920.	964.	1,005.
	60"	1 1/4"	20"	<b>YPSB2060F</b>	889.	934.	979.	1,023.	1,067.
	66"	1 1/4"	20"	<b>YPSB2066FRR</b>	930.	977.	1,023.	1,069.	1,115.
	72"	1 1/4"	20"	<b>YPSB2072FRR</b>	958.	1,006.	1,055.	1,101.	1,150.
Fabric Screens with Half Modesty For Desks, 42" High Horizon 	24"	1 1/4"	32"	<b>YPSB3224F</b>	718.	753.	789.	825.	861.
	27"	1 1/4"	32"	<b>YPSB3227F</b>	769.	808.	846.	885.	921.
	30"	1 1/4"	32"	<b>YPSB3230F</b>	792.	831.	871.	911.	950.
	36"	1 1/4"	32"	<b>YPSB3236F</b>	895.	940.	984.	1,029.	1,073.
	42"	1 1/4"	32"	<b>YPSB3242F</b>	947.	994.	1,041.	1,089.	1,136.
	48"	1 1/4"	32"	<b>YPSB3248F</b>	952.	1,000.	1,048.	1,096.	1,143.
	54"	1 1/4"	32"	<b>YPSB3254F</b>	1,032.	1,084.	1,136.	1,187.	1,239.
	60"	1 1/4"	32"	<b>YPSB3260F</b>	1,118.	1,176.	1,231.	1,286.	1,342.
	66"	1 1/4"	32"	<b>YPSB3266FRR</b>	1,273.	1,338.	1,401.	1,465.	1,528.
	72"	1 1/4"	32"	<b>YPSB3272FRR</b>	1,342.	1,410.	1,477.	1,544.	1,610.

#### Ordering Information

##### Desk Screens

1. Pattern Number
2. Inside Fabric Finish
3. Outside Fabric Finish
4. Frame Paint Finish
5. Bracket Paint Finish

#### Order Code

##### Desk Screens

*Example:* **YPSB2048F, W351, 118T, 118T**

<b>YPSB</b>	Desk Screen
<b>20</b>	Height
<b>48</b>	Width
<b>F</b>	Fabric
<b>W351</b>	Foundation
<b>W351</b>	Foundation
<b>118T</b>	Bright White Paint
<b>118T</b>	Bright White Paint

#### Included With

**Desk Screens**  
 Brackets  
 Hardware

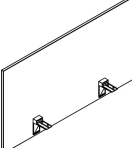
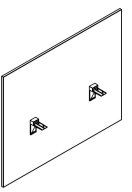
#### Options

##### Desk Screens

The price of screens specified with a combination of fabrics is the higher of the two fabric grades.

(RR) Fabric is applied railroaded

Desk Screens  
*Fabric*  
 For 49" High Horizon

description	w	d	h	pattern no.	10	20	30	40	45
Fabric Screens with Partial Modesty For Desks, 49" High Horizon 	24"	1 1/4"	26"	<b>YPSB2624F</b>	\$677.	\$711.	\$744.	\$779.	\$812.
	27"	1 1/4"	26"	<b>YPSB2627F</b>	705.	740.	777.	811.	847.
	30"	1 1/4"	26"	<b>YPSB2630F</b>	723.	760.	795.	831.	868.
	36"	1 1/4"	26"	<b>YPSB2636F</b>	809.	849.	890.	931.	971.
	42"	1 1/4"	26"	<b>YPSB2642F</b>	849.	891.	934.	977.	1,020.
	48"	1 1/4"	26"	<b>YPSB2648F</b>	912.	958.	1,003.	1,049.	1,095.
	54"	1 1/4"	26"	<b>YPSB2654F</b>	976.	1,025.	1,072.	1,121.	1,172.
	60"	1 1/4"	26"	<b>YPSB2660F</b>	1,017.	1,066.	1,117.	1,169.	1,219.
	66"	1 1/4"	26"	<b>YPSB2666FRR</b>	1,062.	1,114.	1,169.	1,221.	1,273.
	72"	1 1/4"	26"	<b>YPSB2672FRR</b>	1,108.	1,161.	1,219.	1,273.	1,329.
Fabric Screens with Half Modesty For Desks, 49" High Horizon 	24"	1 1/4"	38"	<b>YPSB3824F</b>	775.	814.	852.	890.	930.
	27"	1 1/4"	38"	<b>YPSB3827F</b>	831.	873.	915.	957.	998.
	30"	1 1/4"	38"	<b>YPSB3830F</b>	854.	897.	941.	983.	1,026.
	36"	1 1/4"	38"	<b>YPSB3836F</b>	976.	1,025.	1,072.	1,121.	1,172.
	42"	1 1/4"	38"	<b>YPSB3842F</b>	1,032.	1,084.	1,136.	1,187.	1,239.
	48"	1 1/4"	38"	<b>YPSB3848F</b>	1,113.	1,171.	1,224.	1,279.	1,336.
	54"	1 1/4"	38"	<b>YPSB3854F</b>	1,172.	1,229.	1,287.	1,345.	1,404.
	60"	1 1/4"	38"	<b>YPSB3860F</b>	1,233.	1,296.	1,357.	1,419.	1,480.
	66"	1 1/4"	38"	<b>YPSB3866FRR</b>	1,383.	1,451.	1,521.	1,590.	1,658.
	72"	1 1/4"	38"	<b>YPSB3872FRR</b>	1,457.	1,531.	1,603.	1,676.	1,750.

**Ordering Information**

**Desk Screens**

1. Pattern Number
2. Inside Fabric Finish
3. Outside Fabric Finish
4. Frame Paint Finish
5. Bracket Paint Finish

**Order Code**

**Desk Screens**

*Example:* **YPSB2648F, W351, 118T, 118T**

<b>YPSB</b>	Desk Screen
<b>26</b>	Height
<b>48</b>	Width
<b>F</b>	Fabric
<b>W351</b>	Foundation
<b>W351</b>	Foundation
<b>118T</b>	Bright White Paint
<b>118T</b>	Bright White Paint

**Included With**

**Desk Screens**  
 Brackets  
 Hardware

**Options**

**Desk Screens**

The price of screens specified with a combination of fabrics is the higher of the two fabric grades.

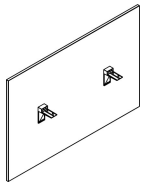
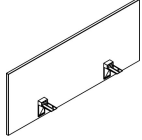
(RR) Fabric is applied railroaded

# Desk Screens

## Laminate, Markerboard or Veneer

### For 42" High Horizon

description	w	d	h	pattern no.	Laminate (L)	Markerboard (LM)	V1 (V)	V2 (V)	V3 (V)
Screens with Partial Modesty For Desks, 42" High Horizon	24"	3/4"	20"	<b>YPSB2024( )</b>	\$253.	\$438.	\$486.	\$559.	\$727.
	30"	3/4"	20"	<b>YPSB2030( )</b>	260.	445.	507.	583.	759.
	36"	3/4"	20"	<b>YPSB2036( )</b>	292.	562.	529.	608.	792.
	42"	3/4"	20"	<b>YPSB2042( )</b>	298.	567.	569.	653.	849.
	48"	3/4"	20"	<b>YPSB2048( )</b>	385.	908.	595.	684.	887.
	54"	3/4"	20"	<b>YPSB2054( )</b>	393.	914.	616.	709.	920.
	60"	3/4"	20"	<b>YPSB2060( )</b>	398.	919.	666.	766.	997.
	66"	3/4"	20"	<b>YPSB2066( )</b>	405.	927.	696.	801.	1,040.
	72"	3/4"	20"	<b>YPSB2072( )</b>	411.	933.	719.	826.	1,072.
Screens with Half Modesty For Desks, 42" High Horizon	24"	3/4"	32"	<b>YPSB3224( )</b>	284.	672.	565.	649.	845.
	27"	3/4"	32"	<b>YPSB3227( )</b>	290.	677.	588.	678.	883.
	30"	3/4"	32"	<b>YPSB3230( )</b>	330.	683.	607.	698.	908.
	36"	3/4"	32"	<b>YPSB3236( )</b>	388.	911.	643.	738.	960.
	42"	3/4"	32"	<b>YPSB3242( )</b>	398.	919.	704.	810.	1,054.
	48"	3/4"	32"	<b>YPSB3248( )</b>	419.	1,595.	738.	849.	1,105.
	54"	3/4"	32"	<b>YPSB3254( )</b>	427.	1,603.	780.	897.	1,167.
	60"	3/4"	32"	<b>YPSB3260( )</b>	583.	1,609.	861.	989.	1,286.
	66"	3/4"	32"	<b>YPSB3266( )</b>	595.	1,618.	903.	1,037.	1,348.
72"	3/4"	32"	<b>YPSB3272( )</b>	603.	1,630.	936.	1,075.	1,400.	



#### Ordering Information

- Desk Screens**
1. Pattern Number
  2. Surface Finish
  3. Bracket Paint Finish

#### Order Code

**Desk Screens**  
*Example:* **YPSB2048V, V316, 118T**

<b>YPSB</b>	Desk Screen
<b>20</b>	Height
<b>48</b>	Width
<b>V</b>	Veneer
<b>V316</b>	Maple
<b>118T</b>	Bright White Paint

#### Included With

**Desk Screens**  
 Brackets  
 Hardware

#### Options

**Desk Screens**

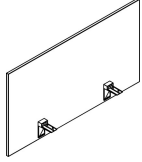
**Finish Options:**  
 (L)= Laminate  
 (LM)= Markerboard  
 (V)= Veneer

# Desk Screens

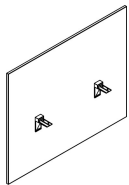
## Laminate, Markerboard or Veneer

### For 49" High Horizon

description	w	d	h	pattern no.	Laminate (L)	Markerboard (LM)	V1 (V)	V2 (V)	V3 (V)
Screens with Partial Modesty For Desks, 49" High Horizon	24"	3/4"	26"	<b>YPSB2624( )</b>	\$277.	\$665.	\$539.	\$620.	\$807.
	27"	3/4"	26"	<b>YPSB2627( )</b>	281.	670.	552.	637.	827.
	30"	3/4"	26"	<b>YPSB2630( )</b>	285.	673.	576.	663.	862.
	36"	3/4"	26"	<b>YPSB2636( )</b>	293.	683.	605.	695.	905.
	42"	3/4"	26"	<b>YPSB2642( )</b>	336.	690.	655.	753.	979.
	48"	3/4"	26"	<b>YPSB2648( )</b>	368.	1,582.	691.	795.	1,033.
	54"	3/4"	26"	<b>YPSB2654( )</b>	375.	1,590.	720.	826.	1,074.
	60"	3/4"	26"	<b>YPSB2660( )</b>	396.	1,596.	801.	920.	1,196.
	66"	3/4"	26"	<b>YPSB2666( )</b>	404.	1,605.	829.	953.	1,240.
	72"	3/4"	26"	<b>YPSB2672( )</b>	518.	1,610.	858.	987.	1,283.



Screens with Half Modesty For Desks, 49" High Horizon	24"	3/4"	38"	<b>YPSB3824( )</b>	329.	683.	603.	693.	901.
	27"	3/4"	38"	<b>YPSB3827( )</b>	334.	687.	623.	718.	932.
	30"	3/4"	38"	<b>YPSB3830( )</b>	338.	692.	644.	739.	961.
	36"	3/4"	38"	<b>YPSB3836( )</b>	400.	920.	693.	796.	1,036.
	42"	3/4"	38"	<b>YPSB3842( )</b>	413.	933.	762.	876.	1,140.
	48"	3/4"	38"	<b>YPSB3848( )</b>	513.	1,606.	803.	923.	1,200.
	54"	3/4"	38"	<b>YPSB3854( )</b>	525.	1,617.	851.	979.	1,272.
	60"	3/4"	38"	<b>YPSB3860( )</b>	603.	1,630.	960.	1,104.	1,435.
	66"	3/4"	38"	<b>YPSB3866( )</b>	613.	1,641.	1,008.	1,159.	1,508.
	72"	3/4"	38"	<b>YPSB3872( )</b>	624.	1,651.	1,050.	1,207.	1,569.



#### Ordering Information

##### Desk Screens

1. Pattern Number
2. Surface Finish
3. Bracket Paint Finish

#### Order Code

##### Desk Screens

*Example:* **YPSB2648V, V316, 118T**

**YPSB** Desk Screen

**26** Height

**48** Width

**V** Veneer

**V316** Maple

**118T** Bright White Paint

#### Included With

##### Desk Screens

Brackets  
Hardware

#### Options

##### Desk Screens

##### Finish Options:

(L)= Laminate  
(LM)= Markerboard  
(V)= Veneer

# Big Table Screens

## Planning Guidelines and Specifications

### Big Table Screens

Big table center screens provide enclosure above the center of a dual or single sided big table to a horizon of 42" or 49", which aligns with upmounted storage cabinets. Big table mounted screens have wedge shape brackets to friction-fit into the center beam at any point.

Screens are available from 24"-72" wide in 6" increments.

#### Two types of screens are available:

- Frameless laminate, marker surface, veneer or glass screens are 1/2" thick with matching edge and crisp, eased corners. Base fits flush with top of center beam.
- Fabric screens are 1 1/4" thick, with painted perimeter frame capturing a wood structural core and tackable, fabric wrapped inserts on each face.

### Construction

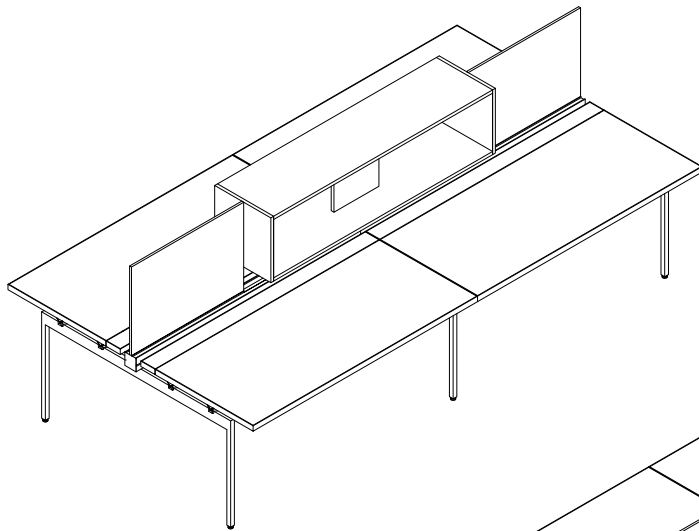
Frameless laminate or veneer screens are 1/2" MDF construction. Frameless glass screens are 1/2" tempered glass with polished edges.

Fabric screens have a 1/2" MDF core, with 3/8" thick tackable PET material inserts on each side wrapped in fabric, and aluminum perimeter frame with seamless corners.

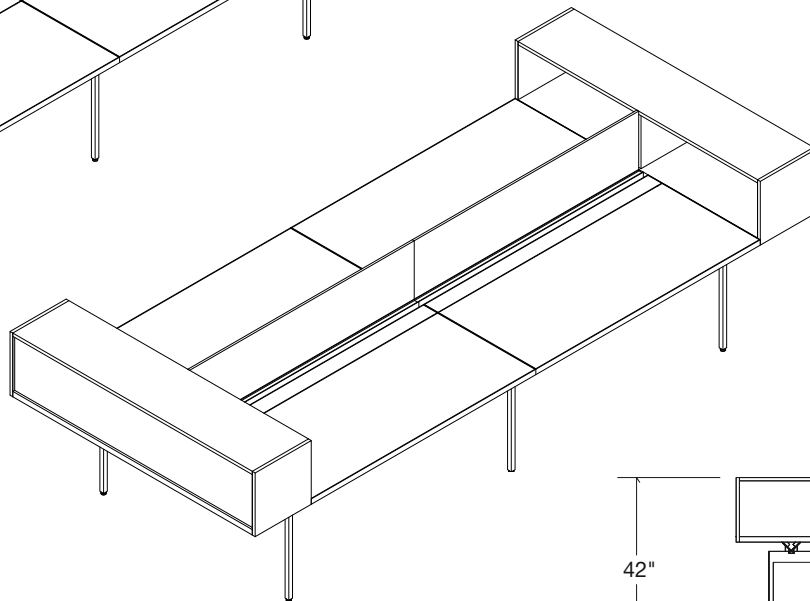
### Specification Options

For frameless screens specify surface type: laminate (L) or veneer (V) or glass (G); finish, any core laminate or dry-erase marker surface (M), any core Techwood or natural veneer, or core glass finishes. Brushed Sand (122) and Brushed Grey (123) are not available on laminate screens. Also specify base color, in any core paint finish.

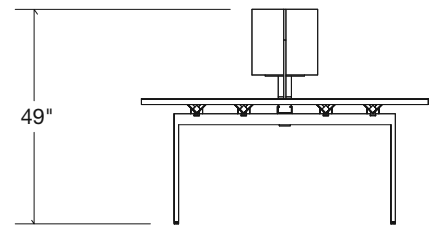
For fabric screens specify fabric, perimeter frame and brackets painted finishes.



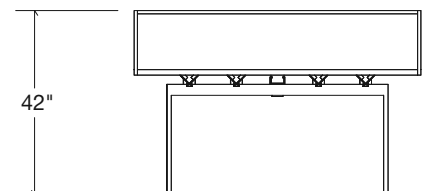
Big Table with 49"H Screens and Stanchion Mounted Cabinets



Big Table with 42"H Screens and Above Big Table Extension Cabinets



Big Table with 49"H Screens  
End Elevation

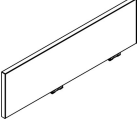


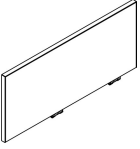
Big Table with 42"H Screens  
End Elevation

# Big Table Screens

## Fabric

### For 42" or 49" High Horizon

description	w	d	h	pattern no.	10	20	30	40	45
Fabric Screens For Big Table Center Beam, 42" High Horizon 	24"	1 1/4"	14"	<b>YPSC1424F</b>	\$539.	\$567.	\$595.	\$620.	\$647.
	30"	1 1/4"	14"	<b>YPSC1430F</b>	563.	590.	618.	647.	674.
	36"	1 1/4"	14"	<b>YPSC1436F</b>	608.	640.	668.	699.	730.
	42"	1 1/4"	14"	<b>YPSC1442F</b>	631.	663.	694.	727.	757.
	48"	1 1/4"	14"	<b>YPSC1448F</b>	671.	704.	738.	772.	806.
	54"	1 1/4"	14"	<b>YPSC1454F</b>	694.	729.	764.	798.	832.
	60"	1 1/4"	14"	<b>YPSC1460F</b>	711.	748.	782.	818.	853.
	66"	1 1/4"	14"	<b>YPSC1466FRR</b>	752.	789.	827.	865.	903.
	72"	1 1/4"	14"	<b>YPSC1472FRR</b>	792.	831.	871.	911.	950.

Fabric Screens For Big Table Center Beam, 49" High Horizon 	24"	1 1/4"	21"	<b>YPSC2124F</b>	598.	626.	656.	687.	716.
	30"	1 1/4"	21"	<b>YPSC2130F</b>	625.	656.	689.	720.	751.
	36"	1 1/4"	21"	<b>YPSC2136F</b>	711.	748.	782.	818.	853.
	42"	1 1/4"	21"	<b>YPSC2142F</b>	747.	783.	820.	858.	895.
	48"	1 1/4"	21"	<b>YPSC2148F</b>	769.	808.	846.	885.	921.
	54"	1 1/4"	21"	<b>YPSC2154F</b>	803.	844.	884.	923.	964.
	60"	1 1/4"	21"	<b>YPSC2160F</b>	838.	880.	920.	964.	1,005.
	66"	1 1/4"	21"	<b>YPSC2166FRR</b>	907.	952.	997.	1,042.	1,088.
	72"	1 1/4"	21"	<b>YPSC2172FRR</b>	952.	1,000.	1,048.	1,096.	1,143.

#### Ordering Information

##### Big Table Screens

1. Pattern Number
2. Fabric Finish
3. Frame Paint Finish

#### Order Code

##### Big Table Screens

*Example:* **YPSC1448F, W351, 118T**

<b>YPSC</b>	Big Table Center Screen
<b>14</b>	Height
<b>48</b>	Width
<b>F</b>	Fabric
<b>W351</b>	Foundation
<b>118T</b>	Bright White Paint

#### Included With

##### Big Table Screens

Brackets  
Hardware

#### Options


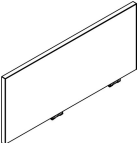
##### Big Table Screens

The price of screens specified with a combination of fabrics is the higher of the two fabric grades.

(RR) Fabric is applied railroaded.

# Big Table Screens

Laminate, Markerboard, Veneer or Glass  
For 42" or 49" High Horizon

description	w	d	h	pattern no.	Laminate (L)	Markerboard (LM)	V1 (V)	V2 (V)	V3 (V)	Clear Glass (GTEMP)	Powder Glass (GGL13)	Grey Tinted Glass (GGL35)
Screens For Big Table Center Beam, 42" High Horizon 	24"	1/2"	14"	<b>YPSC1424()</b>	\$195.	\$269.	\$503.	\$602.	\$782.	\$293.	\$448.	\$564.
	30"	1/2"	14"	<b>YPSC1430()</b>	214.	285.	540.	654.	878.	352.	544.	692.
	36"	1/2"	14"	<b>YPSC1436()</b>	238.	365.	559.	686.	950.	399.	632.	809.
	42"	1/2"	14"	<b>YPSC1442()</b>	265.	380.	598.	736.	1,047.	466.	738.	947.
	48"	1/2"	14"	<b>YPSC1448()</b>	336.	618.	615.	770.	1,121.	517.	826.	1,064.
	54"	1/2"	14"	<b>YPSC1454()</b>	354.	633.	659.	827.	1,223.	574.	921.	1,198.
	60"	1/2"	14"	<b>YPSC1460()</b>	369.	648.	702.	886.	1,324.	629.	1,019.	1,316.
	66"	1/2"	14"	<b>YPSC1466()</b>	387.	659.	733.	931.	1,416.	694.	1,124.	1,453.
	72"	1/2"	14"	<b>YPSC1472()</b>	402.	667.	757.	968.	1,489.	747.	1,211.	1,566.
Screens For Big Table Center Beam, 49" High Horizon 	24"	1/2"	21"	<b>YPSC2124()</b>	219.	347.	539.	663.	919.	354.	567.	769.
	30"	1/2"	21"	<b>YPSC2130()</b>	238.	365.	574.	718.	1,034.	424.	691.	941.
	36"	1/2"	21"	<b>YPSC2136()</b>	272.	483.	600.	764.	1,143.	486.	806.	1,107.
	42"	1/2"	21"	<b>YPSC2142()</b>	299.	497.	659.	844.	1,283.	565.	938.	1,287.
	48"	1/2"	21"	<b>YPSC2148()</b>	340.	849.	685.	889.	1,393.	625.	1,051.	1,453.
	54"	1/2"	21"	<b>YPSC2154()</b>	386.	865.	726.	949.	1,516.	695.	1,175.	1,632.
	60"	1/2"	21"	<b>YPSC2160()</b>	431.	880.	766.	1,012.	1,639.	764.	1,297.	1,799.
	66"	1/2"	21"	<b>YPSC2166()</b>	451.	893.	812.	1,080.	1,770.	842.	1,432.	1,990.
	72"	1/2"	21"	<b>YPSC2172()</b>	466.	904.	849.	1,136.	1,879.	904.	1,543.	2,144.

**Ordering Information**

**Big Table Screens**

1. Pattern Number
2. Surface Finish
3. Bracket Paint Finish

**Order Code**

**Big Table Screens**

*Example:* **YPSC1448V, V316, 118T**

<b>YPSC</b>	Big Table Center Screen
<b>14</b>	Height
<b>48</b>	Width
<b>V</b>	Veneer
<b>V316</b>	Maple
<b>118T</b>	Bright White Paint

**Included With**

**Big Table Screens**

Brackets  
Hardware

**Options**

**Big Table Screens**

**Finish Options:**

- (L) = Laminate
- (LM) = Markerboard
- (V) = Veneer
- (GTEMP) = Clear Glass
- (GGL13) = Powder Glass
- (GGL35) = Grey Tinted Glass



# Intermediate Screens

## Planning and Specification Guidelines

Intermediate screens are designed to plan anywhere along Antenna big tables or linked desk configurations to delineate individual workspaces.

Intermediate screens include a painted aluminum desktop mounting bracket that supports framed, tackable fabric or frameless glass, veneer, laminate or marker surface to a horizon of 42" or 49".

Intermediate screen brackets do not permit screen mount within 1 1/2" of end of desktop, or in combination with end panels.

Intermediate screens are available for two planning applications: full depth and hinged access depth.

Full depth intermediate screens correspond to Antenna top depths, 18", 24", 27", 30", 36", and attach with a clamp bracket around the front and back edges of the top.

Intermediate screens for hinged access tops, 16", 19", 22", are 8" less deep than hinged tops to enable full use of hinge feature. They attach with a clamp bracket around the front edge of the top and a non-skid pad on the top.

### Construction

Fabric screens are 1 1/4" thick, with perimeter extruded aluminum frame, extruded aluminum base frame, cast aluminum clamp brackets and cast aluminum bayonets. Tackable fabric surfaces are 3/8" thick PET core, on either side of 1/2" thick particle board.

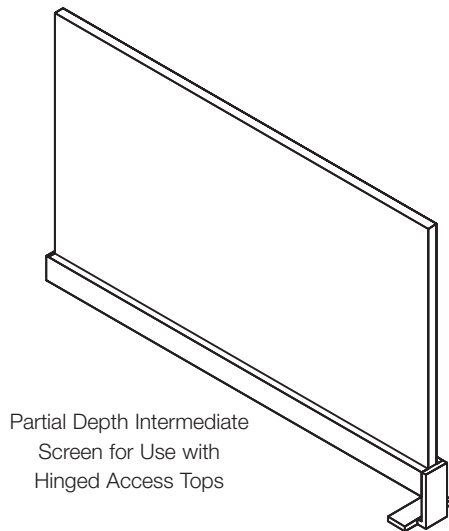
Laminate, veneer and glass screens are 1/2" thick, frameless, with a 1 1/4" high x 1 1/4" wide extruded aluminum base frame and cast aluminum clamp brackets.

### Specification Options

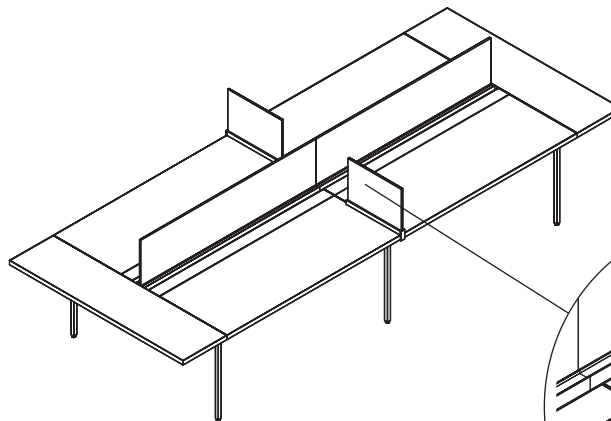
For fabric screens, specify with an Antenna approved textile. Specify perimeter frame in any Knoll Core paint finish.

For frameless screens, specify surface type: laminate (L) or veneer (V) or glass (G) finish in any Knoll Core laminate or marker surface (M), any Core Techwood or natural veneer, or Core glass finishes.

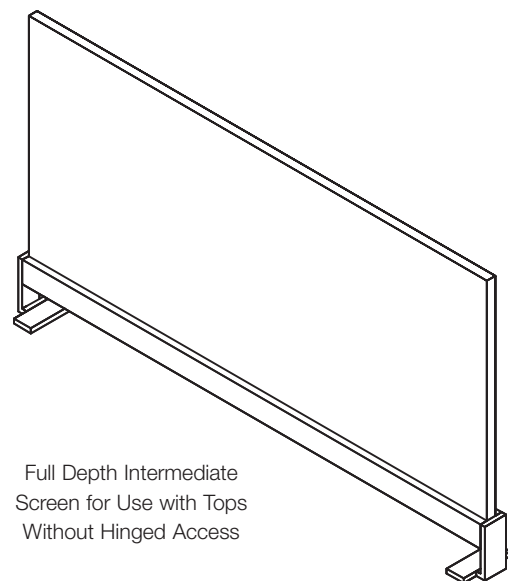
Specify bracket, in any Knoll Core paint finish.



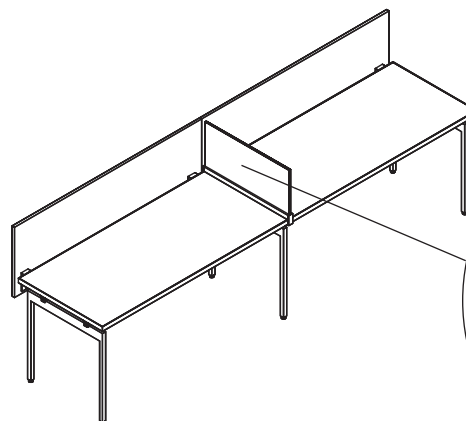
Partial Depth Intermediate Screen for Use with Hinged Access Tops



Big Table with Hinged Access Tops and Partial Depth Intermediate Screens



Full Depth Intermediate Screen for Use with Tops Without Hinged Access




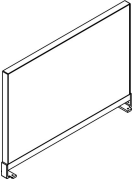
Linked Desks Full Depth Intermediate Screens

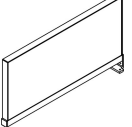
# Intermediate Screens

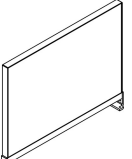
## Fabric

### For 42" or 49" High Horizon

description	type	w	d	h	pattern no.	10	20	30	40	45
 Full Depth Intermediate Screen, 42" High Horizon	For 18"D Tops w/o Hinged Access	1 1/4"	18"	14"	<b>YPSI1418F</b>	\$575.	\$604.	\$632.	\$661.	\$690.
	For 24"D Tops w/o Hinged Access	1 1/4"	24"	14"	<b>YPSI1424F</b>	603.	632.	663.	693.	723.
	For 27"D Tops w/o Hinged Access	1 1/4"	27"	14"	<b>YPSI1427F</b>	622.	653.	685.	715.	747.
	For 30"D Tops w/o Hinged Access	1 1/4"	30"	14"	<b>YPSI1430F</b>	636.	667.	698.	731.	762.
	For 36"D Tops w/o Hinged Access	1 1/4"	36"	14"	<b>YPSI1436F</b>	672.	706.	739.	775.	808.

 Full Depth Intermediate Screen, 49" High Horizon	For 18"D Tops w/o Hinged Access	1 1/4"	19"	21"	<b>YPSI2118F</b>	595.	624.	653.	684.	713.
	For 24"D Tops w/o Hinged Access	1 1/4"	24"	21"	<b>YPSI2124F</b>	631.	663.	695.	727.	757.
	For 27"D Tops w/o Hinged Access	1 1/4"	27"	21"	<b>YPSI2127F</b>	645.	677.	709.	741.	775.
	For 30"D Tops w/o Hinged Access	1 1/4"	30"	21"	<b>YPSI2130F</b>	662.	695.	728.	761.	794.
	For 36"D Tops w/o Hinged Access	1 1/4"	36"	21"	<b>YPSI2136F</b>	739.	777.	814.	851.	888.

 Partial Depth Intermediate Screen, 42" High Horizon	For 24"D Tops with Hinged Access	1 1/4"	16"	14"	<b>YPSI1416F</b>	564.	592.	620.	648.	675.
	For 27"D Tops with Hinged Access	1 1/4"	19"	14"	<b>YPSI1419F</b>	583.	613.	642.	671.	700.
	For 30"D Tops with Hinged Access	1 1/4"	22"	14"	<b>YPSI1422F</b>	595.	624.	653.	684.	713.
	For 36"D Tops with Hinged Access	1 1/4"	28"	14"	<b>YPSI1428F</b>	618.	649.	681.	710.	741.

 Partial Depth Intermediate Screen, 49" High Horizon	For 24"D Tops with Hinged Access	1 1/4"	16"	21"	<b>YPSI2116F</b>	580.	609.	639.	667.	696.
	For 27"D Tops with Hinged Access	1 1/4"	19"	21"	<b>YPSI2119F</b>	596.	625.	654.	685.	714.
	For 30"D Tops with Hinged Access	1 1/4"	22"	21"	<b>YPSI2122F</b>	620.	651.	684.	714.	744.
	For 36"D Tops with Hinged Access	1 1/4"	28"	21"	<b>YPSI2128F</b>	643.	674.	707.	739.	771.

#### Ordering Information

- Intermediate Screens**
1. Pattern Number
  2. Fabric Finish
  3. Bracket Paint Finish

#### Order Code

<b>Intermediate Screens</b>	
<i>Example:</i> <b>YPSI2124F, Y351</b>	
<b>YPS</b>	Screen
<b>I</b>	Intermediate
<b>21</b>	Height
<b>24</b>	Depth
<b>F</b>	Fabric
<b>Y351</b>	Foundation

#### Included With

**Intermediate Screens**  
 Brackets  
 Hardware


#### Options

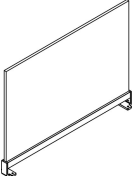
**Intermediate Screens**  
 The price of screens specified with a combination of fabrics is the higher of the two fabric grades.

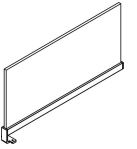
# Intermediate Screens

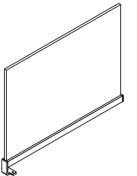
## *Laminate, Markerboard, Veneer or Glass*

### *For 42" or 49" High Horizon*

description	type	w	d	h	pattern no.	Laminate	Marker-	V1	V2	V3	Clear	Power	Grey
						(L)	board	(V)	(V)	(V)	Glass	Glass	Tinted
						(L)	(LM)	(V)	(V)	(V)	(GTEMP)	(GGL13)	(GGL35)
 Full Depth Intermediate Screens, 42" High Horizon	For 18"D Tops w/o Hinged Access	1/2"	18"	14"	<b>YPSI1418( )</b>	\$205.	\$269.	\$517.	\$597.	\$688.	\$267.	\$361.	\$458.
	For 24"D Tops w/o Hinged Access	1/2"	24"	14"	<b>YPSI1424( )</b>	235.	340.	566.	640.	758.	325.	450.	579.
	For 27"D Tops w/o Hinged Access	1/2"	27"	14"	<b>YPSI1427( )</b>	245.	352.	562.	656.	784.	356.	497.	643.
	For 30"D Tops w/o Hinged Access	1/2"	30"	14"	<b>YPSI1430( )</b>	258.	364.	580.	684.	829.	387.	546.	708.
	For 36"D Tops w/o Hinged Access	1/2"	36"	14"	<b>YPSI1436( )</b>	276.	413.	609.	725.	899.	439.	629.	823.

 Full Depth Intermediate Screens, 49" High Horizon	For 18"D Tops w/o Hinged Access	1/2"	18"	21"	<b>YPSI2118( )</b>	220.	316.	539.	633.	763.	320.	455.	593.
	For 24"D Tops w/o Hinged Access	1/2"	24"	21"	<b>YPSI2124( )</b>	256.	417.	563.	658.	785.	392.	572.	753.
	For 27"D Tops w/o Hinged Access	1/2"	27"	21"	<b>YPSI2127( )</b>	268.	426.	598.	718.	903.	427.	631.	838.
	For 30"D Tops w/o Hinged Access	1/2"	30"	21"	<b>YPSI2130( )</b>	281.	441.	617.	744.	948.	467.	695.	921.
	For 36"D Tops w/o Hinged Access	1/2"	36"	21"	<b>YPSI2136( )</b>	302.	493.	641.	785.	1,027.	533.	803.	1,075.

 Partial Depth Intermediate Screens, 42" High Horizon	For 24"D Tops w/ Hinged Access	1/2"	16"	14"	<b>YPSI1416( )</b>	193.	256.	502.	576.	658.	241.	326.	414.
	For 27"D Tops w/ Hinged Access	1/2"	19"	14"	<b>YPSI1419( )</b>	207.	287.	521.	602.	698.	271.	371.	476.
	For 30"D Tops w/ Hinged Access	1/2"	22"	14"	<b>YPSI1422( )</b>	216.	296.	537.	625.	740.	299.	417.	537.
	For 36"D Tops w/ Hinged Access	1/2"	28"	14"	<b>YPSI1428( )</b>	239.	345.	583.	706.	898.	356.	504.	655.

 Partial Depth Intermediate Screens, 49" High Horizon	For 24"D Tops w/ Hinged Access	1/2"	16"	21"	<b>YPSI2116( )</b>	207.	303.	521.	610.	725.	290.	410.	534.
	For 27"D Tops w/ Hinged Access	1/2"	19"	21"	<b>YPSI2119( )</b>	224.	345.	538.	636.	769.	327.	470.	616.
	For 30"D Tops w/ Hinged Access	1/2"	22"	21"	<b>YPSI2122( )</b>	235.	355.	555.	661.	814.	363.	529.	698.
	For 36"D Tops w/ Hinged Access	1/2"	28"	21"	<b>YPSI2128( )</b>	262.	421.	595.	716.	908.	430.	643.	858.

#### Ordering Information

- Intermediate Screens**
1. Pattern Number
  2. Surface Finish
  3. Bracket Paint Finish

#### Order Code

Intermediate Screens	
<i>Example:</i>	<b>YPSI2124L, 118, 118T</b>
<b>YPS</b>	Screen
<b>I</b>	Intermediate
<b>21</b>	Height
<b>24</b>	Depth
<b>L</b>	Laminate
<b>118</b>	Bright White Laminate
<b>118T</b>	Bright White Paint

#### Included With

- Intermediate Screens**
- Brackets
  - Hardware

#### Options

#### Intermediate Screens

##### Finish Options

- (L) = Laminate
- (LM) = Markerboard
- (V) = Veneer
- (CTEMP) = Clear Glass
- (GGL13) = Powder Glass
- (GGL35) = Grey Tinted Glass

# End Screens for Dual Big Table

## Planning Guidelines and Specifications

End screens provide partial enclosure for the end of an Antenna big table, from a starting point 10 1/2" above the floor to a horizon of 42" or 49". The 10 1/2" starting point aligns with suspended files or cabinets. The 42" and 49" horizons correspond to center screens and stanchion mounted cabinets.

End screens are available in widths to align with the front edges of dual big tables with 18", 24", 27", 30" or 36" deep tops.

End screens include brackets to the ends of the big table tops in the space above end legs. Brackets create a 1 1/4" cord drop space between the ends of the tops and the inside face of the screen. End screens cannot be planned in combination with end panels.

End screens are available in laminate, marker, veneer or fabric surfaces. Laminate and veneer end screens are 3/4" thick, with matching color frameless edges.

Fabric end screens are 1 1/4" thick, with painted perimeter frame capturing a wood structural core and tackable fabric wrapped inserts on each face.

### Construction

Frameless screens are 3/4" MDF-core construction, with threaded metal inserts at bracket locations. Screens include solid cast aluminum brackets and attachment hardware.

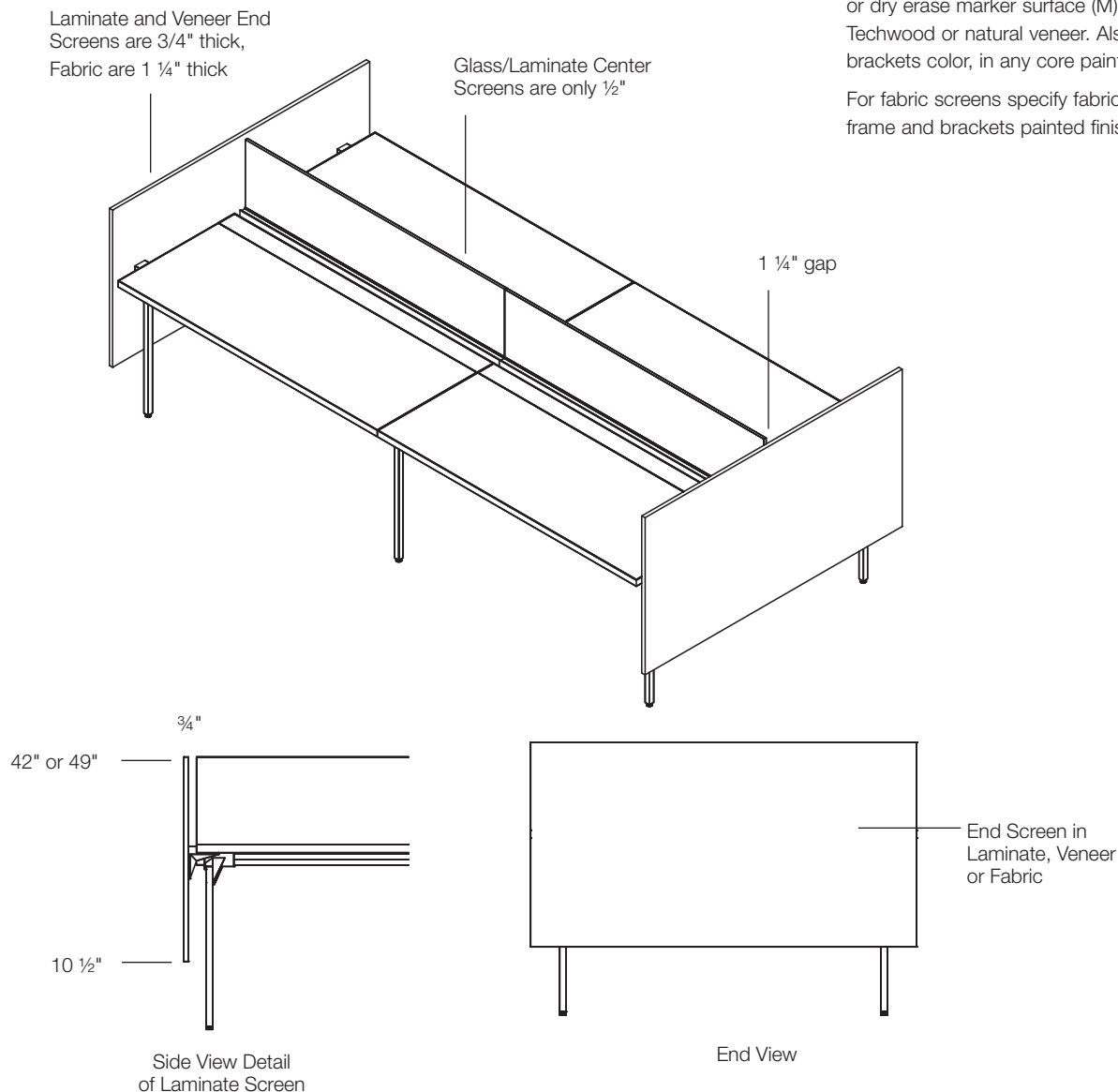
Laminate screens have 0.8mm ABS edge on four sides. Veneer screens feature vertical grain direction and 2.4 mm veneer edge.

Fabric screens have a 1/2" MDF core, with 3/8" thick tackable PET material inserts in each side wrapped in fabric and aluminum perimeter frame with seamless corners. Fabric screens have threaded metal inserts at bracket locations.

### Specification Options

For end screens specify surface type: laminate (L) or veneer (V), any core laminate or dry erase marker surface (M) or any core Techwood or natural veneer. Also specify brackets color, in any core painted finish.

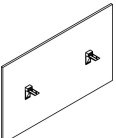
For fabric screens specify fabric, perimeter frame and brackets painted finishes.

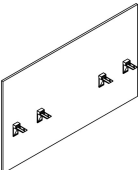


# End Screens for Dual Big Table

## Fabric

### For 42" or 49" Horizons

description	type	w	d	h	pattern no.	grade						
						10	20	30	40	45	50	55
 End Screens to 42"H	For 18"D dual	41 1/2"	1 1/4"	32"	<b>YPSB3241F</b>	\$835.	\$877.	\$919.	\$960.	\$1,002.	\$1,044.	\$1,087.
	For 24"D dual	53 1/2"	1 1/4"	32"	<b>YPSB3253F</b>	871.	915.	958.	1,002.	1,046.	1,090.	1,133.
	For 27"D dual	59 1/2"	1 1/4"	32"	<b>YPSB3259F</b>	922.	969.	1,015.	1,061.	1,107.	1,153.	1,199.
	For 30"D dual	65 1/2"	1 1/4"	32"	<b>YPSB3265FRR</b>	1,071.	1,124.	1,179.	1,232.	1,285.	1,339.	1,393.
	For 36"D dual	77 1/2"	1 1/4"	32"	<b>YPSB3277FRR</b>	1,143.	1,200.	1,258.	1,314.	1,371.	1,429.	1,486.

 End Screens to 49"H	For 18"D dual	41 1/2"	1 1/4"	38"	<b>YPSB3841F</b>	902.	947.	982.	1,037.	1,082.	1,128.	1,173.
	For 24"D dual	53 1/2"	1 1/4"	38"	<b>YPSB3853F</b>	949.	996.	1,044.	1,092.	1,139.	1,187.	1,234.
	For 27"D dual	59 1/2"	1 1/4"	38"	<b>YPSB3859F</b>	1,006.	1,056.	1,106.	1,156.	1,206.	1,257.	1,307.
	For 30"D dual	65 1/2"	1 1/4"	38"	<b>YPSB3865FRR</b>	1,169.	1,227.	1,285.	1,344.	1,402.	1,461.	1,519.
	For 36"D dual	77 1/2"	1 1/4"	38"	<b>YPSB3877FRR</b>	1,245.	1,308.	1,370.	1,432.	1,494.	1,557.	1,619.

#### Ordering Information

##### End Screens

1. Pattern Number
2. Inside Fabric Finish
3. Outside Fabric Finish
4. Frame Paint Finish
5. Bracket Paint Finish

#### Order Code

##### End Screens

*Example:* **YPSB3241F, W351, 32, 41, F, W351, W351, 118T, 118T**

<b>YPSB</b>	End Screen
<b>32</b>	Height
<b>41</b>	Width
<b>F</b>	Fabric
<b>W351</b>	Foundation
<b>W351</b>	Foundation
<b>118T</b>	Bright White Paint
<b>118T</b>	Bright White Paint

#### Included With

**End Screens**  
Brackets  
Hardware

#### Options

##### End Screens

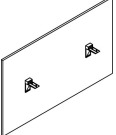
The price of screens specified with a combination of fabrics is the higher of the two fabric grades.


(RR) = Fabric is applied railroaded

# End Screens for Dual Big Table

## Laminate, Markerboard or Veneer

### For 42" or 49" Horizons

description	type	w	d	h	pattern no.	Laminate (L)	Marker-board (LM)	V1 (V)	V2 (V)	V3 (V)	
	End Screens to 42"H	For 18"D dual	41 1/2"	3/4"	32"	<b>YPSB3241()</b>	\$435.	\$679.	\$858.	\$953.	\$1,465.
	For 24"D dual	53 1/2"	3/4"	32"	<b>YPSB3253()</b>	462.	1,091.	924.	1,039.	1,681.	
	For 27"D dual	59 1/2"	3/4"	32"	<b>YPSB3259()</b>	613.	1,099.	1,003.	1,118.	1,827.	
	For 30"D dual	65 1/2"	3/4"	32"	<b>YPSB3265()</b>	715.	1,201.	1,115.	1,252.	2,024.	
	For 36"D dual	77 1/2"	3/4"	32"	<b>YPSB3277()</b>	736.	1,222.	1,181.	1,338.	2,241.	

	End Screens to 49"H	For 18"D dual	41 1/2"	3/4"	38"	<b>YPSB3841()</b>	450.	694.	897.	1,008.	1,611.
	For 24"D dual	53 1/2"	3/4"	38"	<b>YPSB3853()</b>	482.	1,109.	983.	1,119.	1,877.	
	For 27"D dual	59 1/2"	3/4"	38"	<b>YPSB3859()</b>	633.	1,120.	1,056.	1,204.	2,039.	
	For 30"D dual	65 1/2"	3/4"	38"	<b>YPSB3865()</b>	737.	1,223.	1,196.	1,358.	2,271.	
	For 36"D dual	77 1/2"	3/4"	38"	<b>YPSB3877()</b>	764.	1,252.	1,260.	1,446.	2,512.	

**Ordering Information**

**Intermediate Screens**

1. Pattern Number
2. Surface Finish
3. Bracket Paint Finish

**Order Code**

**Intermediate Screens**

*Example:* **YPSI2124L, 118, 118T**

<b>YPS</b>	Screen
<b>I</b>	Intermediate
<b>21</b>	Height
<b>24</b>	Depth
<b>L</b>	Laminate
<b>118</b>	Bright White Laminate
<b>118T</b>	Bright White Paint

**Included With**

**Intermediate Screens**

Brackets  
Hardware

**Options**

**Intermediate Screens**

**Finish Options**

(L) = Laminate  
(LM) = Markerboard  
(V) = Veneer

# Fence Screens

## Planning Guidelines and Specifications

### Fence Screens

Fence screens provide enclosure above either height fence to a horizon of 42" or 49", which aligns with upmounted storage cabinets. Fence mounted screens have wedge shape base and can be secured to the fence with bolts into mounting locations every 3" along the center of the crown.

Screens are available from 24"-48" wide in 6" increments, plus 60" and 72" widths.

#### Two types of screens are available:

- Frameless laminate, marker surface, veneer or glass screens are 1/2" thick with matching edge and crisp, eased corners. Base fits flush with top of fence crown.
- Fabric screens are 1 1/4" thick, with painted perimeter frame capturing a wood structural core and tackable, fabric wrapped inserts on each face.

### Construction

Frameless laminate or veneer screens are 1/2" MDF construction. Frameless glass screens are 1/2" tempered glass with polished edges.

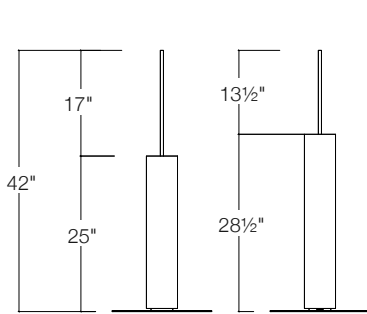
Fabric screens have a 1/2" MDF core, with 3/8" thick tackable PET material inserts on each side wrapped in fabric, and aluminum perimeter frame with seamless corners.

### Specification Options

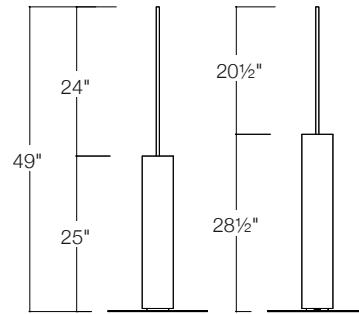
To specify fence screens identify fence height (25" or 28") and desired horizon (42" or 49" high).

For frameless screens specify surface type: laminate (L) or veneer (V) or glass (G); finish, any core laminate or dry-erase marker surface (M), any core Techwood or natural veneer, or core glass finishes. Brushed Sand (122) and Brushed Grey (123) are not available on laminate screens. Also specify base color, in any core paint finish.

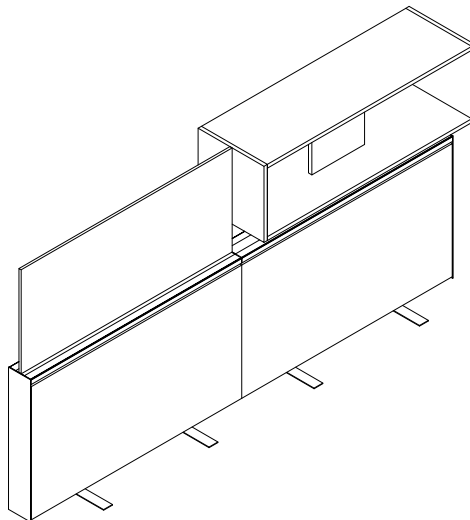
For fabric screens specify fabric, perimeter frame and bracket painted finishes.



Fence with Screens, 42" High Horizon



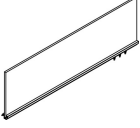
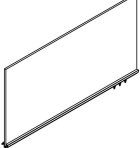


Fence with Screens, 49" High Horizon



Screen and Cabinet Align at 49"H

*Fabric*

*For 25" and 28" High Fence, 42" and 49" High Horizon*

description	w	d	h	pattern no.	list	10	20	30	40	45
Fabric Screens for 25" High Fence, 42" High Horizon 	24"	1 1/4"	17"	<b>YPSF1724F</b>	n/a	\$570.	\$599.	\$626.	\$654.	\$684.
	36"	1 1/4"	17"	<b>YPSF1736F</b>	n/a	648.	681.	714.	747.	778.
	48"	1 1/4"	17"	<b>YPSF1748F</b>	n/a	717.	753.	789.	825.	861.
	60"	1 1/4"	17"	<b>YPSF1760F</b>	n/a	757.	795.	832.	871.	909.
	72"	1 1/4"	17"	<b>YPSF1772FRR</b>	n/a	849.	891.	934.	977.	1,020.
Fabric Screens for 25" High Fence, 49" High Horizon 	24"	1 1/4"	24"	<b>YPSF2424F</b>	n/a	620.	651.	684.	714.	744.
	36"	1 1/4"	24"	<b>YPSF2436F</b>	n/a	752.	789.	827.	865.	903.
	48"	1 1/4"	24"	<b>YPSF2448F</b>	n/a	820.	862.	904.	943.	984.
	60"	1 1/4"	24"	<b>YPSF2460F</b>	n/a	895.	940.	984.	1,029.	1,073.
	72"	1 1/4"	24"	<b>YPSF2472FRR</b>	n/a	998.	1,049.	1,098.	1,149.	1,198.
Fabric Screens for 28" High Fence, 42" High Horizon 	24"	1 1/4"	14"	<b>YPSF1424F</b>	n/a	544.	573.	601.	626.	654.
	36"	1 1/4"	14"	<b>YPSF1436F</b>	n/a	614.	645.	675.	705.	736.
	48"	1 1/4"	14"	<b>YPSF1448F</b>	n/a	677.	711.	744.	779.	812.
	60"	1 1/4"	14"	<b>YPSF1460F</b>	n/a	718.	753.	789.	825.	861.
	72"	1 1/4"	14"	<b>YPSF1472FRR</b>	n/a	792.	831.	871.	911.	950.
Fabric Screens for 28" High Fence, 49" High Horizon 	24"	1 1/4"	21"	<b>YPSF2124F</b>	n/a	598.	626.	656.	687.	716.
	36"	1 1/4"	21"	<b>YPSF2136F</b>	n/a	718.	753.	789.	825.	861.
	48"	1 1/4"	21"	<b>YPSF2148F</b>	n/a	775.	814.	852.	890.	930.
	60"	1 1/4"	21"	<b>YPSF2160F</b>	n/a	844.	886.	929.	970.	1,011.
	72"	1 1/4"	21"	<b>YPSF2172FRR</b>	n/a	958.	1,006.	1,055.	1,101.	1,150.
Fabric Screen Fillers for Fence	24"			<b>YPSFF24</b>	58.	n/a	n/a	n/a	n/a	n/a
	36"			<b>YPSFF36</b>	81.	n/a	n/a	n/a	n/a	n/a
	48"			<b>YPSFF48</b>	104.	n/a	n/a	n/a	n/a	n/a
	60"			<b>YPSFF60</b>	126.	n/a	n/a	n/a	n/a	n/a
	72"			<b>YPSFF72</b>	150.	n/a	n/a	n/a	n/a	n/a

**Ordering Information**

**Big Table Screens**

1. Pattern Number
2. Fabric Finish
3. Frame Paint Finish

**Order Code**

**Big Table Screenss**

*Example:* **YPSC1448F, W351, 118T**

<b>YPSC</b>	Big Table Center Screen
<b>14</b>	Height
<b>48</b>	Width
<b>F</b>	Fabric
<b>W351</b>	Foundation
<b>118T</b>	Bright White Paint

**Included With**

**Big Table Screens**  
Brackets  
Hardware

**Options**

**Big Table Screens**


The price of screens specified with a combination of fabrics is the higher of the two fabric grades.


(RR) Fabric is applied railroaded.





Laminate, Markerboard, Veneer or Glass

For 25" and 28" High Fence, 42" and 49" High Horizon

description	w	d	h	pattern no.	Laminate (L)	Markerboard (LM)	V1 (V)	V2 (V)	V3 (V)	Clear Glass (GTEMP)	Powder Glass (GL13)	Grey Tinted Glass (GGL35)
Screens for 25" High Fence, 42" High Horizon 	24"	1/2"	17"	<b>YPSF1724( )</b>	\$261.	\$388.	\$558.	\$667.	\$884.	\$357.	\$532.	\$673.
	36"	1/2"	17"	<b>YPSF1736( )</b>	317.	529.	626.	771.	1,091.	480.	739.	967.
	48"	1/2"	17"	<b>YPSF1748( )</b>	460.	911.	716.	895.	1,314.	620.	970.	1,272.
	60"	1/2"	17"	<b>YPSF1760( )</b>	505.	953.	811.	1,022.	1,544.	755.	1,190.	1,580.
	72"	1/2"	17"	<b>YPSF1772( )</b>	550.	987.	884.	1,130.	1,752.	889.	1,413.	1,877.

Screens for 25" High Fence, 49" High Horizon 	24"	1/2"	24"	<b>YPSF2424( )</b>	282.	613.	617.	749.	1,041.	439.	691.	877.
	36"	1/2"	24"	<b>YPSF2436( )</b>	353.	646.	705.	882.	1,310.	592.	970.	1,265.
	48"	1/2"	24"	<b>YPSF2448( )</b>	443.	1,583.	796.	1,019.	1,585.	766.	1,269.	1,661.
	60"	1/2"	24"	<b>YPSF2460( )</b>	503.	1,630.	912.	1,182.	1,888.	932.	1,560.	2,061.
	72"	1/2"	24"	<b>YPSF2472( )</b>	656.	1,665.	1,011.	1,326.	2,175.	1,099.	1,853.	2,451.

Screens for 28" High Fence, 42" High Horizon 	24"	1/2"	14"	<b>YPSF1424( )</b>	240.	313.	544.	644.	821.	336.	491.	586.
	36"	1/2"	14"	<b>YPSF1436( )</b>	289.	416.	608.	733.	996.	450.	684.	842.
	48"	1/2"	14"	<b>YPSF1448( )</b>	403.	687.	680.	831.	1,180.	583.	892.	1,105.
	60"	1/2"	14"	<b>YPSF1460( )</b>	448.	729.	779.	959.	1,388.	710.	1,097.	1,372.
	72"	1/2"	14"	<b>YPSF1472( )</b>	492.	758.	847.	1,056.	1,572.	838.	1,302.	1,627.

Screens for 28" High Fence, 49" High Horizon 	24"	1/2"	21"	<b>YPSF2124( )</b>	263.	392.	581.	705.	959.	398.	610.	791.
	36"	1/2"	21"	<b>YPSF2136( )</b>	322.	414.	648.	811.	1,187.	536.	854.	1,136.
	48"	1/2"	21"	<b>YPSF2148( )</b>	464.	915.	751.	952.	1,448.	693.	1,118.	1,494.
	60"	1/2"	21"	<b>YPSF2160( )</b>	510.	959.	844.	1,088.	1,703.	844.	1,377.	1,854.
	72"	1/2"	21"	<b>YPSF2172( )</b>	559.	993.	938.	1,221.	1,960.	994.	1,635.	2,206.

Ordering Information

- Fence Screens**  
 1. Pattern Number  
 2. Surface Finish  
 3. Bracket Paint Finish

Order Code

Fence Screens	
<i>Example:</i>	<b>YPSF1448V, V316, 118T</b>
<b>YPSF</b>	Fence Screen
<b>14</b>	Height
<b>48</b>	Width
<b>V</b>	Veneer
<b>V316</b>	Maple
<b>118T</b>	Bright White Paint

Included With

**Fence Screens**  
 Brackets  
 Hardware

Options

**Fence Screens**  
**Finish Options:**  
 (L) = Laminate  
 (LM) = Markerboard  
 (V) = Veneer  
 (GTEMP) = Clear Glass  
 (GGL13) = Powder Glass  
 (GGL35) = Grey Tinted Glass

# S Screens

## Planning Guidelines and Specifications

### S Screens

S screens attach to the back of a desktop to provide enclosure both above and below the desktop. The distinctive curved profile transitions from the 10 ½" high vertical modesty panel to a horizontal transaction surface at the 42" horizon.

The screen desk mount brackets enable a full 1 ¼" cord drop space between the back edge of the top and the inside of the screen.

Sapper monitor arms should not be used on the back edge of desk tops with S screens

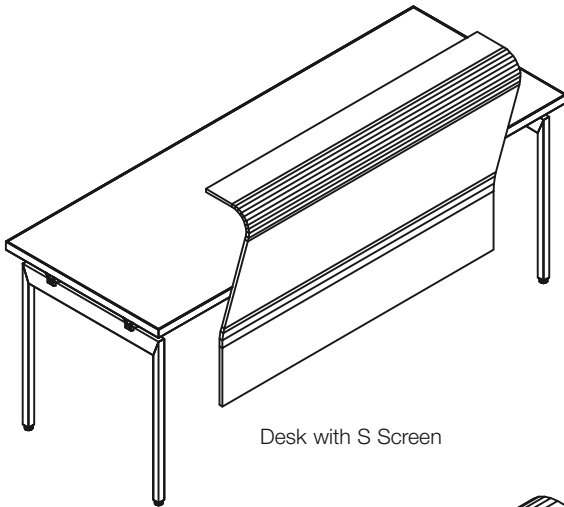
### Construction

S screens are ½" thick plywood core with applied laminate on both faces and clear finish on side edges.

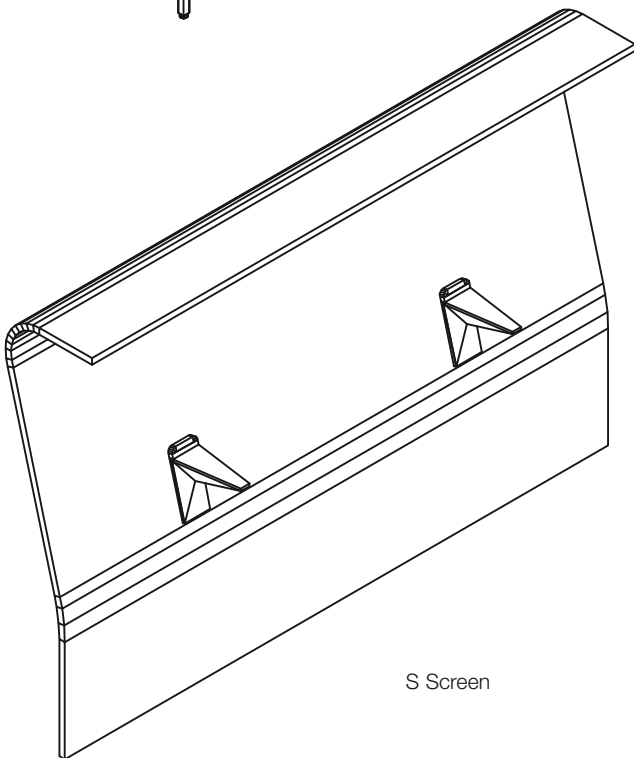
### Specification Options

S screens are available in White or Folkstone laminate.

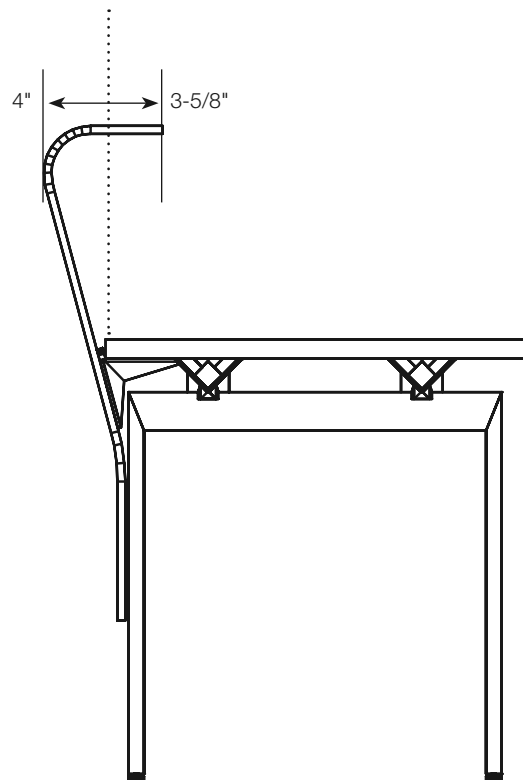
Specify mounting brackets in any Knoll Core paint finish.



Desk with S Screen



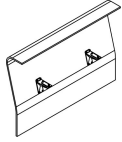
S Screen



Desk with S Screen End Elevation

S Screens  
*Laminate*  
*For 42" High Horizon*

description	type	w	d	h	pattern no.	Laminate (L)
S Screen	For Attachment to Desk	48"	7 1/2"	32"	<b>YPSS3248( )</b>	\$1,281.



**Ordering Information**

**S Screens**

1. Pattern Number
2. Surface Finish
3. Bracket Paint Finish

**Order Code**

**S Screens**

*Example:* **YPSS3248L**

<b>YPS</b>	Screen
<b>S</b>	S Shape
<b>32</b>	Height
<b>48</b>	Width
<b>L</b>	Laminate
<b>118</b>	Bright White Laminate
<b>118T</b>	Bright White Paint

**Included With**

**S Screens**

Attachment brackets  
 Hardware

**S Screen**

**Material Finish Options:**  
 (L) = Laminate

**S Screens are available in the following finishes:**

- (118) Bright White Laminate
- (114) Folkstone Grey Laminate

### Floorstanding Desk Mounted Screens

Floorstanding desk mounted L screens are available in 42" and 49" high horizons creating two different privacy level options.

L screens are designed to wrap around a corner of a desk, with a 36" or 48"W panel generally along the back edge of the desk, and a 12" or 18"W panel along part of the side of the desk top. Both sides are bracketed to the underside of the top, and are also supported by adjustable levelers at the floor. Desk mount brackets are included for stability.

L screens are handed, so, for example, the left hand version of a 36" wide by 18" deep screen has the 18" wide panel on the left and

the 36" wide panel on the right, from a seated position at the desk. Right hand version has the 18" wide panel on the right and the 36" wide panel on the left, from a seated position.

The L screen corner bracket should be specified when planning an L screen to surround a pedestal supported desktop. A floorstanding pedestal can block access to the standard screen bracket at the end of the top. The brace is installed 25 1/4" above the floor (immediately above floorstanding pedestal height) to join the two panels of the L together. Then the two screen brackets that normally connect each of the panels now are both installed on the long side of the

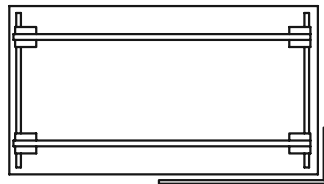
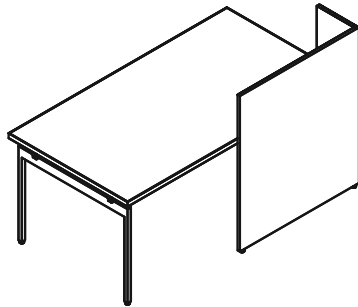
L, to the back side of the top. The bracket is for the most part concealed by the top, though visible just below the 1 1/4" deep cord drop around the corner of the desktop.

### Construction

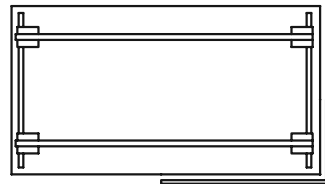
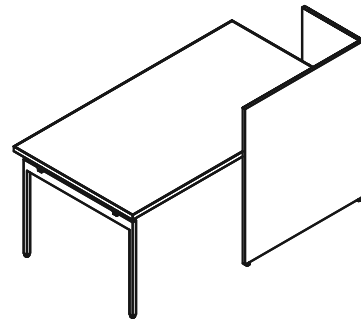
Floorstanding screens are 3/4" MDF construction with surface laminate or veneer on all faces, and 1" diameter levelers with 1 1/2" travel. The L screen corner bracket is die cast aluminum.

### Specification Options

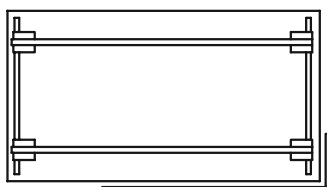
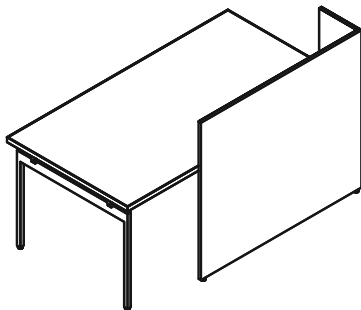
For L screen specify vertical surface type (L or V) and finish in any core laminate or veneer, and bracket finish in any core paint finish. The L screen corner bracket can be specified in any Core paint finish.



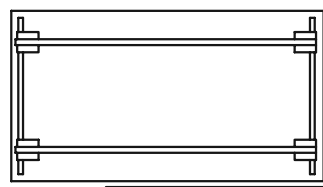
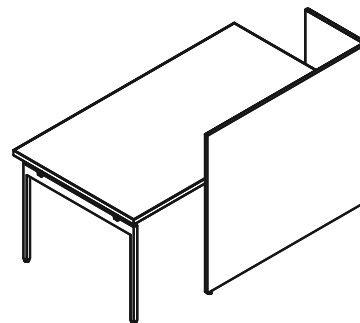
42" High 36" Wide 12" Deep  
L Screen, Left End of Desk



42" High 36" Wide 18" Deep  
L Screen, Left End of Desk



42" High 48" Wide 12" Deep  
L Screen, Left End of Desk

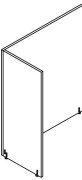
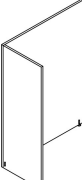


42" High 48" Wide 18" Deep  
L Screen, Left End of Desk

# Floorstanding Desk Screens

## Laminate and Veneer L-Screens

### 42" and 49" High

description	type	w	d	h	pattern no.	list	Laminate (L)	V1 (V)	V2 (V)	V3 (V)
 <p>42" High L Screens</p>	Left End of Desk	36"	12"	42"	<b>YSFSL423612( )</b>	n/a	\$574.	\$1,032.	\$1,187.	\$1,603.
	Left End of Desk	36"	18"	42"	<b>YSFSL423618( )</b>	n/a	574.	1,032.	1,187.	1,603.
	Left End of Desk	48"	12"	42"	<b>YSFSL424812( )</b>	n/a	689.	1,239.	1,425.	1,923.
	Left End of Desk	48"	18"	42"	<b>YSFSL424818( )</b>	n/a	689.	1,239.	1,425.	1,923.
	Right End of Desk	36"	12"	42"	<b>YSFSR423612( )</b>	n/a	574.	1,032.	1,187.	1,603.
	Right End of Desk	36"	18"	42"	<b>YSFSR423618( )</b>	n/a	574.	1,032.	1,187.	1,603.
	Right End of Desk	48"	12"	42"	<b>YSFSR424812( )</b>	n/a	689.	1,239.	1,425.	1,923.
	Right End of Desk	48"	18"	42"	<b>YSFSR424818( )</b>	n/a	689.	1,239.	1,425.	1,923.
	<i>Left Shown</i>									
 <p>49" High L Screens</p>	Left End of Desk	36"	12"	49"	<b>YSFSL493612( )</b>	n/a	689.	1,239.	1,425.	1,923.
	Left End of Desk	36"	18"	49"	<b>YSFSL493618( )</b>	n/a	689.	1,239.	1,425.	1,923.
	Left End of Desk	48"	12"	49"	<b>YSFSL494812( )</b>	n/a	826.	1,491.	1,716.	2,315.
	Left End of Desk	48"	18"	49"	<b>YSFSL494818( )</b>	n/a	826.	1,491.	1,716.	2,315.
	Right End of Desk	36"	12"	49"	<b>YSFSR493612( )</b>	n/a	689.	1,239.	1,425.	1,923.
	Right End of Desk	36"	18"	49"	<b>YSFSR493618( )</b>	n/a	689.	1,239.	1,425.	1,923.
	Right End of Desk	48"	12"	49"	<b>YSFSR494812( )</b>	n/a	826.	1,491.	1,716.	2,315.
	Right End of Desk	48"	18"	49"	<b>YSFSR494818( )</b>	n/a	826.	1,491.	1,716.	2,315.
	<i>Left Shown</i>									
L Screen Corner Bracket	For L Screen Applications with Pedestals				<b>YSFSB</b>	36.	n/a	n/a	n/a	n/a

#### Ordering Information

- L Screen**
1. Pattern Number
  2. Vertical Surface Finish
  3. Bracket Paint Finish

#### Order Code

<b>L Screens</b>	
<i>Example:</i>	<b>YSFSL423618L, 118, 118T</b>
<b>YSFS</b>	L Screen
<b>L</b>	Left Hand
<b>42</b>	Height
<b>36</b>	Width
<b>18</b>	Depth
<b>L</b>	Laminate
<b>118</b>	Bright White Laminate
<b>118T</b>	Bright White Paint

#### Included With

**Floorstanding Screens**  
Brackets  
Hardware

#### Options

**Floorstanding Screens Finish Options:**  
(L)=Laminate  
(V)=Veneer

**Antenna Storage**

Antenna storage comprises a broad scope of storage options for suspended files, books and binders, coats and secure storage of personal items and electronics. The scope includes both metal and wood construction, desk mounted, stanchion supported, wall mounted and floorstanding components. Antenna storage is finished on all sides to define work areas, complement individual workspaces and articulate group work and activity areas.

Storage for desks includes pedestals, laptop drawers, suspended, desk-height and floorstanding extension cabinets. Desk extension cabinets are also available for the ends of a big table.

For big tables and Fence, storage options also include stanchion mounted platform shelves and storage cabinets.

For offices and team spaces, Antenna storage cabinets and shelves can be wall mounted or floorstanding.

For group meeting or activity spaces, shelf cabinets can be freestanding storage walls for privacy or space definition.

**Antenna Storage Surfaces and Options**

Antenna storage components may be finished in a monolithic painted, laminate or veneer surface. Suspended and stanchion mounted open storage cabinets can also be specified in a contrasting interior color laminate. Interior laminate options include core laminates and five accent laminate colors. Storage with enclosed fronts can be specified with painted or laminate case and wood or contrasting core laminate front.

**Pulls for Drawers and Doors**

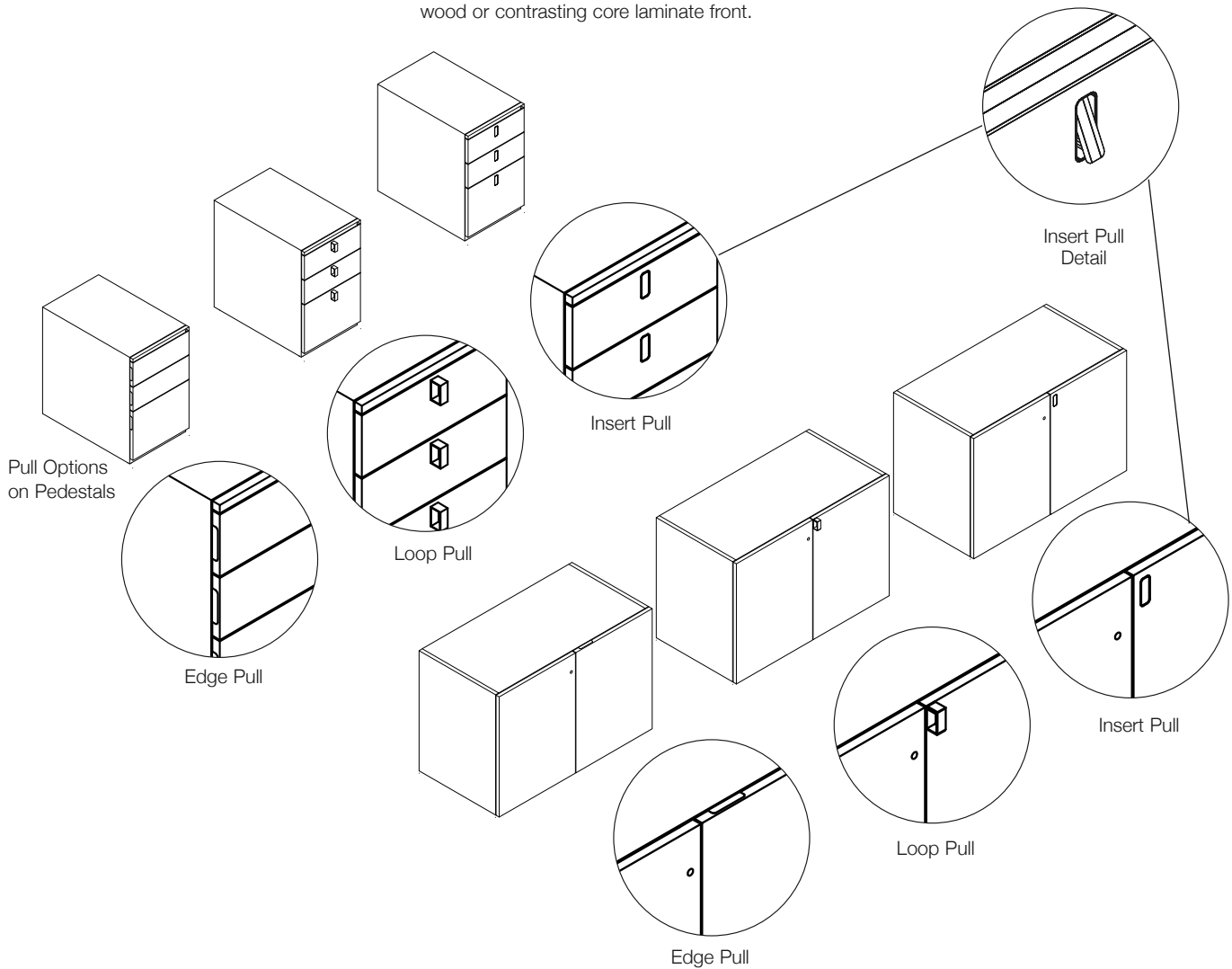
Pedestals and suspended file and hinged door fronts are available with three pull profiles:

Edge pull, a discreet recess in left and right hand edges of drawers and top edge of doors is available in chrome (PD) finish or in any Knoll core paint finish, Dark Red (131) or Slate Blue (132).

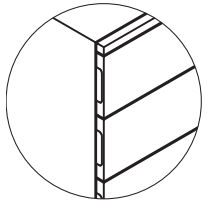
Insert pull, a fingertip hinged tab flush with the front is available in a chrome (PD) finish.

Loop pull, a small open square loop on the surface of the front is available in a chrome (PD) finish or in any Knoll core paint finish, Dark Red (131) or Slate Blue (132).

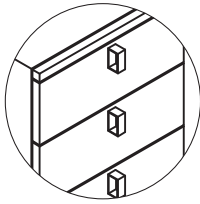
Sliding door fronts include a discreet vertical pull in any Knoll core paint finish.



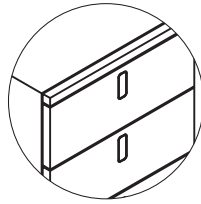
**Pedestal Drawer Pull Options**



Edge Pull

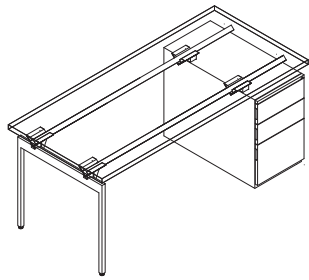


Loop Pull

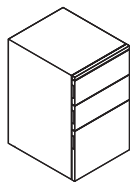


Insert Pull

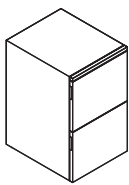
**Floorstanding Pedestals**



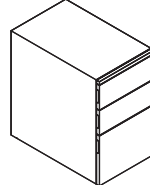
Antenna Desk with Righthanded Floorstanding Pedestal



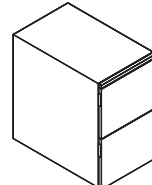
Box/Box/File Pedestal  
18" Deep



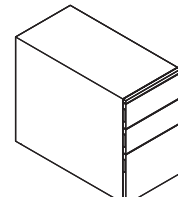
File/File Pedestal  
18" Deep



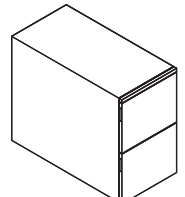
Box/Box/File Pedestal  
24" Deep



File/File Pedestal  
24" Deep

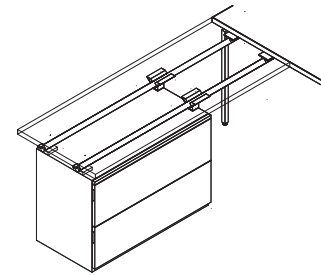


Box/Box/File Pedestal  
30" Deep

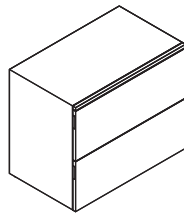


File/File Pedestal  
30" Deep

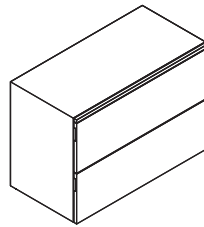
**Floorstanding and Freestanding Double Wide Pedestals**



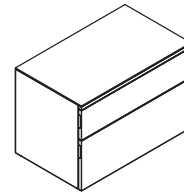
Antenna Desk with Double Wide Pedestal



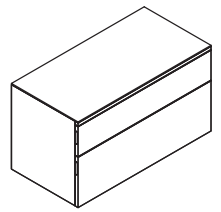
File/File Double Wide Pedestal  
30" Wide



File/File Double Wide Pedestal  
36" Wide

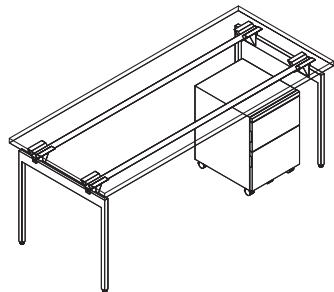


Data/File Double Wide Pedestal  
30" Wide

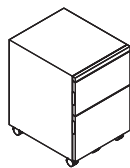


Data/File Double Wide Pedestal  
36" Wide

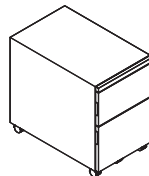
**Mobile Pedestals**



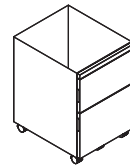
Antenna Desk with Personal/File Mobile Pedestal



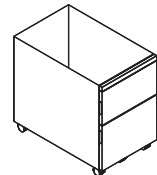
Personal/File Mobile Pedestal  
18" Deep



Personal/File Mobile Pedestal  
24" Deep



Personal/File Mobile Pedestal with Open Top for Seat Pad  
18" Deep



Personal/File Mobile Pedestal with Open Top for Seat Pad  
24" Deep

# Pedestals

## Floorstanding

### Planning Guidelines and Specifications

#### Floorstanding Pedestals

Floorstanding pedestals provide fixed location storage under a desk or return.

Pedestals are 25" high steel cabinets in file/ file or box/box/file configurations that are sized to fit below and connect to desk rails. Floorstanding pedestals can take the place of a leg, in combination with YBATE25 pedestal adapter kit and appropriate ballast, to support one end of a desk top. Ballast kits are required for stability of freestanding desk applications, but may not be required where other end of desk is connected to Fence or perpendicular desk. Ballast kits are available in specific weights for each pedestal depth.

Positioning brackets (YSFA) stabilize and maintain position of floorstanding 25" high pedestals under desk or big table rails when the pedestal is not integrated into the desk structure. Positioning brackets enable floorstanding pedestals to mount adjacent to end legs or other floorstanding pedestals that are connected to the desk with YBATE25 brackets. They are also applicable under bridge tops or tops supported by Fence or Template storage. Positioning brackets fasten with screws into the holes in the top of the pedestal corresponding to desk support rails, or they may be adhered in position under the rails of a big table (adhesive not included in kit).

Ballast kits are still recommended for most floorstanding pedestal but positioning brackets may make ballast unnecessary for pedestals in multiple-position big tables.

Metal pedestals are available in painted steel case with painted wood, laminate or veneer fronts.

Pencil trays can be specified along with pedestals. The five section pencil tray rides on drawer sides of box or file drawers.

#### Construction

Floorstanding pedestals include full painted steel surround with no seams at back corners, flat steel top, full extension drawer slides and leveling glides with 2" range. Steel top is specified to have mounting holes for adapter kit on right or left side. Actual case height is 24" and stands 1" above the floor. Actual case width is 15" and depths are 17 1/2", 23 1/2", and 29 1/2".

File drawers on 18"D cabinets are 12"W x 15"D and support letter or legal suspended file folders. File drawers on 24"D and 30"D cabinets are 12"W x 21"D and include a divider to enable full depth letter or side to side legal suspended filing.

Box drawers are 5"H x 12"W x 15" or 21"D and can support Knoll universal pencil tray (specified separately).

Pencil trays are plastic injection molded construction, 13 1/4" wide, 5 7/16" deep and 7/8" high.

#### Specification Options

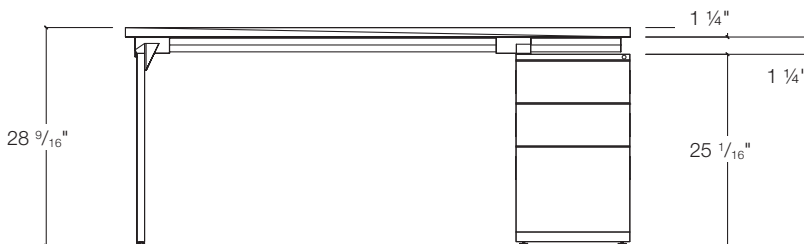
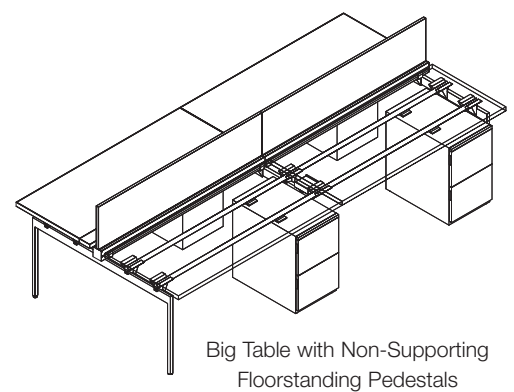
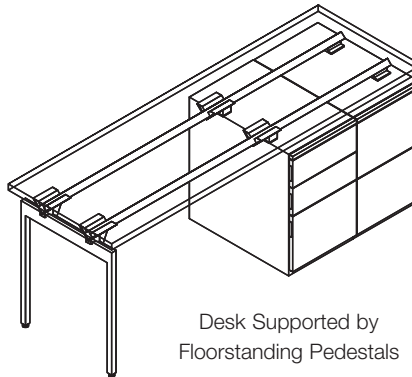
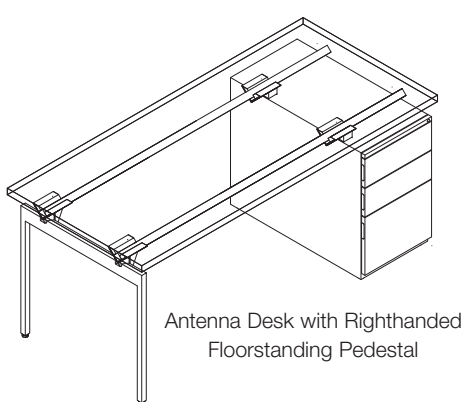
Specify either a left or right mounting position for correct location of holes in the top of the pedestal for connection to desk support adapter brackets. Specify top without holes for freestanding applications under desk rails with positioning brackets YSPA. Front is available either painted (P), laminate (L) or veneer (V). Pedestals can be locking (L) or non-locking (N).

Case is available in any Knoll Core paint finish. Drawer fronts may be specified in any Knoll Core paint, laminate or veneer finish.

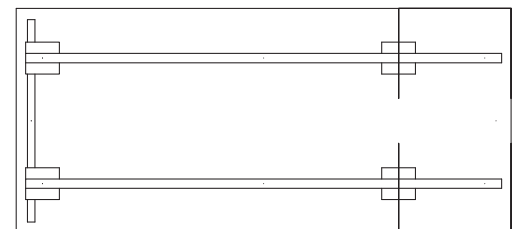
Specify pull type: Edge (E), Insert (I) or Loop (O). Edge pulls are available in any Knoll Core paint finish, Dark Red, Slate Blue or in Chrome (PD). Loop pulls are available in any Knoll Core paint finish, Dark Red or Slate Blue. Insert pulls are available in Chrome (PD).

Desk support adapters and pedestal positioning brackets are available in any Knoll Core paint finish, Dark Red or Slate Blue.

Pencil trays are available in either a black or clear finish.



Righthanded Floorstanding Pedestal Elevation



Righthanded Floorstanding Pedestal in Plan



# Pedestals

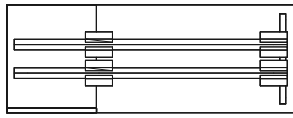
## *Floorstanding Applications*

18"D pedestals can be used under an 18"D return or under a 24"D desk top or return with 1 1/2" inset in front and 5" space at back.

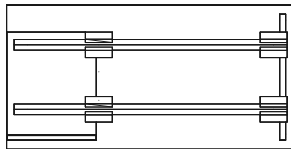
24"D pedestals can be used under 24"D tops flush with front and back, under 27"D tops with a 1 1/2" inset front and a 2" inset back, or under 30"D tops with a 1 1/2" inset front and 5" in back.

30"D pedestals can be used under 30"D tops, flush with front and back, or under 36"D tops with 1 1/2" in front and 5" in back.

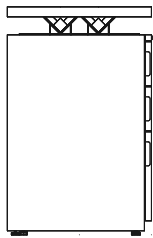
### 18" Deep Pedestal Applications



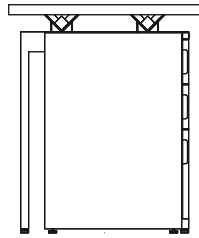
18"D Pedestal with 18"D Top in Plan



18"D Pedestal with 24"D Top in Plan

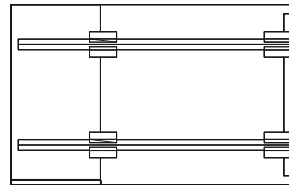


18"D Pedestal with 18"D Top End Elevation

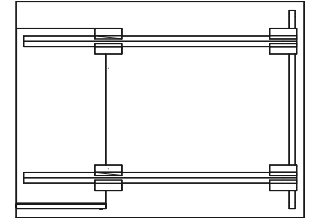


18"D Pedestal with 24"D Top End Elevation

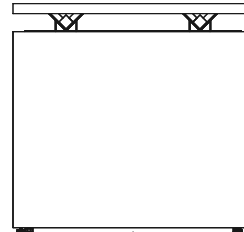
### 30" Deep Pedestal Applications



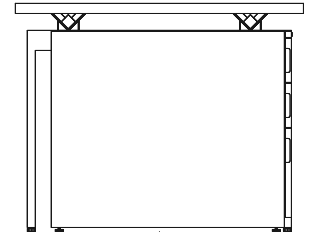
30"D Pedestal with 30"D Top in Plan



30"D Pedestal with 36"D Top in Plan

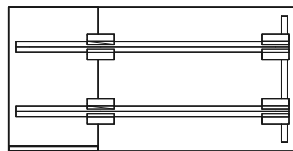


30"D Pedestal with 30"D Top End Elevation

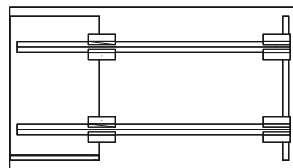


30"D Pedestal with 36"D Top End Elevation

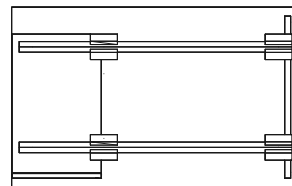
### 24" Deep Pedestal Applications



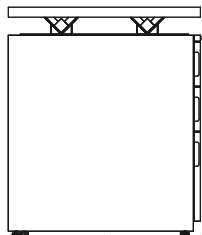
24"D Pedestal with 24"D Top in Plan



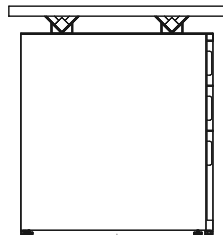
24"D Pedestal with 27"D Top in Plan



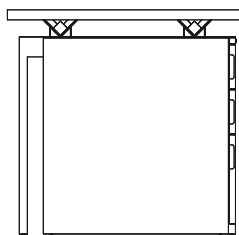
24"D Pedestal with 30"D Top in Plan



24"D Pedestal with 24"D Top End Elevation



24"D Pedestal with 27"D Top End Elevation

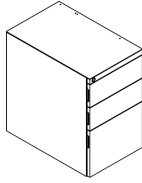
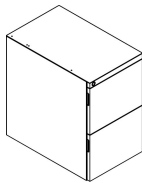



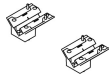
24"D Pedestal with 30"D Top End Elevation

# Pedestals

## Floorstanding

### 18", 24" and 30" Deep

description	type	w	d	h	pattern no.	list	Painted Fronts (P)	Laminate Fronts (L)	V1 Fronts (V)	V2 Fronts (V)	V3 Fronts (V)
	For Left 18" Deep Desk Mount	15"	17 1/2"	25"	<b>YSFBBF18L( )L</b>	\$0.	\$1,333.	\$1,432.	\$1,508.	\$1,553.	\$1,687.
	For Left 24" Deep Desk Mount	15"	23 1/2"	25"	<b>YSFBBF24L( )L</b>	0.	1,445.	1,499.	1,572.	1,617.	1,758.
	For Left 30" Deep Desk Mount	15"	29 1/2"	25"	<b>YSFBBF30L( )L</b>	0.	1,474.	1,528.	1,603.	1,646.	1,787.
	For Right 18" Deep Desk Mount	15"	17 1/2"	25"	<b>YSFBBF18R( )L</b>	0.	1,333.	1,432.	1,508.	1,553.	1,687.
	For Right 24" Deep Desk Mount	15"	23 1/2"	25"	<b>YSFBBF24R( )L</b>	0.	1,445.	1,499.	1,572.	1,617.	1,758.
	For Right 30" Deep Desk Mount	15"	29 1/2"	25"	<b>YSFBBF30R( )L</b>	0.	1,474.	1,528.	1,603.	1,646.	1,787.
	No holes on top 18" Deep	15"	17 1/2"	25"	<b>YSFBBF18N( )L</b>	0.	1,333.	1,432.	1,508.	1,553.	1,687.
	No holes on top 24" Deep	15"	23 1/2"	25"	<b>YSFBBF24N( )L</b>	0.	1,445.	1,499.	1,572.	1,617.	1,758.
	No holes on top 30" Deep	15"	29 1/2"	25"	<b>YSFBBF30N( )L</b>	0.	1,474.	1,528.	1,603.	1,646.	1,787.
	For Left 18" Deep Desk Mount	15"	17 1/2"	25"	<b>YSFFF18L( )L</b>	0.	1,141.	1,254.	1,310.	1,384.	1,518.
	For Left 24" Deep Desk Mount	15"	23 1/2"	25"	<b>YSFFF24L( )L</b>	0.	1,235.	1,307.	1,368.	1,447.	1,583.
	For Left 30" Deep Desk Mount	15"	29 1/2"	25"	<b>YSFFF30L( )L</b>	0.	1,265.	1,336.	1,567.	1,603.	1,670.
	For Right 18" Deep Desk Mount	15"	17 1/2"	25"	<b>YSFFF18R( )L</b>	0.	1,141.	1,254.	1,310.	1,384.	1,518.
	For Right 24" Deep Desk Mount	15"	23 1/2"	25"	<b>YSFFF24R( )L</b>	0.	1,235.	1,307.	1,368.	1,447.	1,583.
	For Right 30" Deep Desk Mount	15"	29 1/2"	25"	<b>YSFFF30R( )L</b>	0.	1,265.	1,336.	1,567.	1,603.	1,670.
	No holes on top 18" Deep	15"	17 1/2"	25"	<b>YSFFF18N( )L</b>	0.	1,141.	1,254.	1,310.	1,384.	1,518.
	No holes on top 24" Deep	15"	23 1/2"	25"	<b>YSFFF24N( )L</b>	0.	1,235.	1,307.	1,368.	1,447.	1,583.
	No holes on top 30" Deep	15"	29 1/2"	25"	<b>YSFFF30N( )L</b>	0.	1,265.	1,336.	1,567.	1,603.	1,670.
	For 18" or 30" Deep Pedestal				<b>YSFB18</b>	126.	0.	0.	0.	0.	0.
	For 24" Deep Pedestal				<b>YSFB24</b>	200.	0.	0.	0.	0.	0.

	For use with 25" High Pedestal	4"	3"	3"	<b>YBATE25</b>	97.	0.	0.	0.	0.	0.
---	--------------------------------	----	----	----	----------------	-----	----	----	----	----	----

(YBATE25 shown)

	Includes 2 brackets and hardware				<b>YSFA</b>	16.	0.	0.	0.	0.	0.
---	----------------------------------	--	--	--	-------------	-----	----	----	----	----	----

#### Ordering Information

##### Floorstanding Pedestal

1. Pattern Number
2. Case Finish
3. Front Finish
4. Pull Type
5. Pull Finish

##### Pedestal Desk Support Adapters

1. Pattern Number
2. Paint Finish

#### Order Code

##### Floorstanding Pedestal

*Example:* YSFBBF24LPL, 118T, 118T, E, 118T

**YPFBBF** Box/Box/File Pedestal

**24** Depth

**L** Left Mount

**P** Painted Front

**L** Lock

**118T** Bright White Case

**118T** Bright White Front

**E** Edge Pull

**118T** Bright White Pull

#### Included With

##### Floorstanding Pedestal

Glides  
File Rails  
(24" and 30" Deep Only)

Desk adapter brackets and pencil trays sold separately.

##### Pedestal Desk Support Adapters Hardware

##### Lock Options:

To specify a floorstanding pedestal without a lock, replace the "L" suffix in the pattern number with an "N".

#### Options

##### Floorstanding

##### Drawer Front Finish Options:

(P)=Painted  
(L)=Laminated  
(V)=Veneer

##### Drawer Front Pull Options:

(E)=Edge Pull  
(I)=Insert Pull  
(O)=Loop Pull

Add \$40 to the list price when a pull is specified with a painted finish.

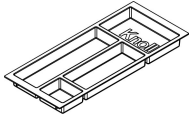
See planning guide page for drawer pull finish options.

# Pedestals

## Floorstanding

### 18", 24" and 30" Deep

description	type	w	d	h	pattern no.	list
Pencil Tray	Black Finish	13 1/4"	5 7/8"	7/8"	<b>YAPT</b> N	\$41.
	Clear Finish	13 1/4"	5 7/8"	7/8"	<b>YAPT</b> C	48.



#### Ordering Information

##### Floorstanding Pedestal

1. Pattern Number
2. Case Finish
3. Front Finish
4. Pull Type
5. Pull Finish

##### Pedestal Desk Support Adapters

1. Pattern Number
2. Paint Finish

#### Order Code

##### Floorstanding Pedestal

*Example:* YSFBBF24LPL, 118T, 118T, E, 118T

**YPFBBF** Box/Box/File Pedestal

**24** Depth

**L** Left Mount

**P** Painted Front

**L** Lock

**118T** Bright White Case

**118T** Bright White Front

**E** Edge Pull

**118T** Bright White Pull

#### Included With

##### Floorstanding Pedestal

Glides  
File Rails  
(24" and 30" Deep Only)

Desk adapter brackets and pencil trays sold separately.

##### Pedestal Desk Support Adapters

Hardware

##### Lock Options:

To specify a floorstanding pedestal without a lock, replace the "L" suffix in the pattern number with an "N".

#### Options

##### Floorstanding

##### Drawer Front Finish Options:

(P)=Painted  
(L)=Laminate  
(V)=Veneer

##### Drawer Front Pull Options:

(E)=Edge Pull  
(I)=Insert Pull  
(O)=Loop Pull

Add \$40 to the list price when a pull is specified with a painted finish.

See planning guide page for drawer pull finish options.

# Pedestals

## *Floorstanding and Freestanding Double Wide Planning Guidelines and Specifications*

### Freestanding Double Wide Pedestals

Antenna Data/File and File/File double wide pedestals are 30" or 36" wide, sized to fit below or connect to Antenna desk support rails.

Double wide pedestals are available without any holes on top for entirely freestanding applications, or when using YSFA positioning bracket on top to hold a freestanding file/file pedestal in position under desk rails.

Ballast kit is required in all freestanding applications.

### Floorstanding Double Wide Pedestals

Antenna File/File Double wide pedestals are just 25" high, and can take the place of a leg by using bracket kit YBAW25, and appropriate ballast, to support one end of a desk or return top 18" or 24" deep. Floorstanding pedestals are specified with pre-drilled attachment positions on either the right or left side of the top of the cabinet. For 27" or deeper tops an end leg should be specified next to a freestanding pedestal.

All double wide pedestals include an interlock to prevent both drawers from opening at the same time.

Ballast kits are required for stability of pedestal-supported freestanding credenzas, but are not required where other end of top is connected to Fence or perpendicular desk. Ballast kits are available in specific weights for each pedestal width.

### Construction

Double wide pedestals include steel surround with no seams at back corners, flat steel top, full extension drawer slides and 3" leveling glides. Steel top is specified to have holes for adapter kit to mount to 18" or 24" depth top or to have no holes for freestanding applications.

File drawers in 30" wide cabinets are actual 27" wide x 15" deep. File drawers in 36" wide cabinets are actual 33" wide x 15"D. All double wide pedestals include four front to back file support rails for letter or legal suspended file folders.

Actual case widths are 30" and 36" and depths are 17 1/2". File/file case height is 24"; Data/file case height is 20". Starting point for glides is typically 1" extension, with up to 1 1/2" additional leveling available.

Metal pedestals are available in painted steel case with painted wood, laminate or veneer fronts.

### Specification Options

Specify planning application for attachment to 18" or 24" deep top (18 or 24) or freestanding (N).

Front is available painted (P), laminate (L) or veneer (V).

Pedestals can be locking (L) or without lock (N).

Case is available in any Knoll Core paint finish.

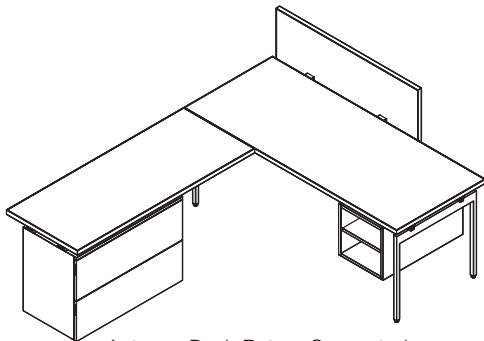
Drawer fronts may be specified in any Knoll Core paint, laminate or veneer finish.

Specify pull type: Edge (E), Insert (I) or Loop (O).

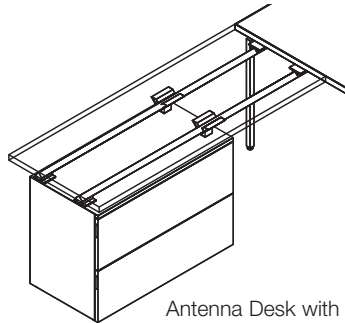
Edge pulls are available in any Knoll Core paint finish, Dark Red, Slate Blue or in Chrome (PD). Loop pulls are available in any Knoll Core paint finish, Dark Red or Slate Blue.

Insert pulls are available in Chrome (PD) only.

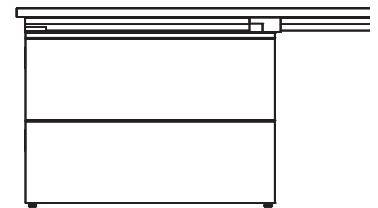
Desk support adapters and pedestal positioning brackets are available in any Knoll Core paint finish, Dark Red or Slate Blue.



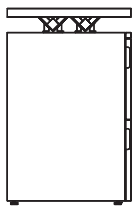
Antenna Desk Return Supported by Double Wide Pedestal



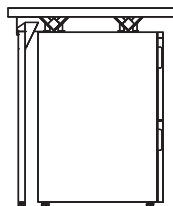
Antenna Desk with Double Wide Pedestal



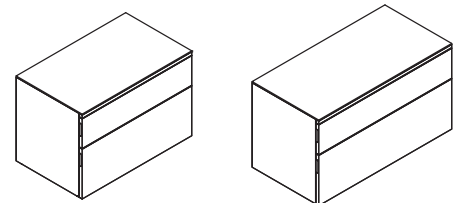
Double Wide Pedestal Front Elevation



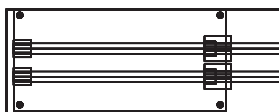
18"D Double Wide Pedestal with 18"D Top End Elevation



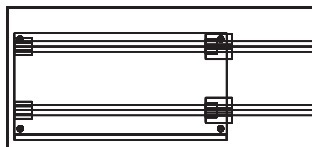
18"D Double Wide Pedestal with 24"D Top End Elevation



Data/File Double Wide Pedestal, 30" or 36"



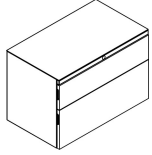
18"D Double Wide Pedestal with 18"D Top in Plan



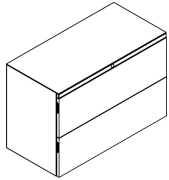
18"D Double Wide Pedestal with 24"D Top in Plan

*Floorstanding and Freestanding Double Wide  
30" or 36" Wide*

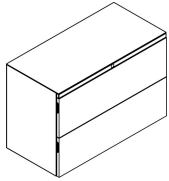
description	type	w	d	h	pattern no.	list	Painted Fronts (P)	Laminate Fronts (L)	V1 Fronts (V)	V2 Fronts (V)	V3 Fronts (V)
Freestanding Data/File Double Wide Pedestals	For use with Counterweight	30"	17 1/2"	21"	<b>YSFWDF30N( )L</b>	n/a	\$1,697.	\$1,830.	\$2,002.	\$2,148.	\$2,441.
	For use with Counterweight	36"	17 1/2"	21"	<b>YSFWDF36N( )L</b>	n/a	1,910.	2,068.	2,272.	2,451.	2,800.



Freestanding File/File Double Wide Pedestals	For use with Counterweight	30"	17 1/2"	25"	<b>YSFWFF30N( )L</b>	n/a	1,836.	1,979.	2,165.	2,324.	2,638.
	For use with Counterweight	36"	17 1/2"	25"	<b>YSFWFF36N( )L</b>	n/a	2,065.	2,238.	2,457.	2,650.	3,029.



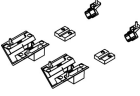
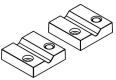
Floorstanding Desk Support File/File Double Wide Pedestals	30"W For use with 18" Deep Top	30"	17 1/2"	25"	<b>YSFWFF3018( )L</b>	n/a	1,836.	1,979.	2,165.	2,324.	2,638.
	30"W For use with 24" Deep Top	30"	17 1/2"	25"	<b>YSFWFF3024( )L</b>	n/a	1,836.	1,979.	2,165.	2,324.	2,638.
	36"W For use with 18" Deep Top	36"	17 1/2"	25"	<b>YSFWFF3618( )L</b>	n/a	2,065.	2,238.	2,457.	2,650.	3,029.
	36"W For use with 24" Deep Top	36"	17 1/2"	25"	<b>YSFWFF3624( )L</b>	n/a	2,065.	2,238.	2,457.	2,650.	3,029.



Ordering Information	Order Code	Included With	Options
<b>Floorstanding Pedestal</b> 1. Pattern Number 2. Case Finish 3. Front Finish 4. Pull Type 5. Pull Finish	<b>Floorstanding Pedestal</b> <i>Example:</i> YSFWFF3018PL, 118T, 118T, E, 118T <hr/> <b>YSFWFF</b> File/File Double Wide Pedestal <hr/> <b>30</b> Width <hr/> <b>18</b> Top Depth <hr/> <b>P</b> Painted Front <hr/> <b>L</b> Lock <hr/> <b>118T</b> Bright White Case <hr/> <b>118T</b> Bright White Front <hr/> <b>E</b> Edge Pull <hr/> <b>118T</b> Bright White Pull	<b>Floorstanding Pedestal</b> Glides File Rails  Desk adapter brackets and pencil trays sold separately.  <b>Double Wide Pedestal                      Desk Support Adapters</b> Hardware  <b>Lock Options:</b> To specify a floorstanding pedestal without a lock, replace the "L" suffix in the pattern number with an "N".	<b>Floorstanding</b>  <b>Drawer Front Finish Options:</b> (P)=Painted (L)=Laminate (V)=Veneer  <b>Drawer Front Pull Options:</b> (E)=Edge Pull (I)=Insert Pull (O)=Loop Pull  Add \$40 to the list price when a pull is specified with a painted finish.  See planning guide page for drawer pull finish options.

# Pedestals

## *Floorstanding and Freestanding Double Wide Pedestal Accessories*

description	type	w	d	h	pattern no.	list
Double Wide Pedestal	For 30" Wide Pedestal				<b>YSFWB30</b>	\$320.
Ballast/Counterweight	For 36" Wide Pedestal				<b>YSFWB36</b>	385.
Double Wide Pedestal Desk Support Adapters (pair)	For use with Double Wide Pedestal	4"	3"	3"	<b>YBAW25</b>	126.
						
Pedestal Positioning Brackets	Includes 2 brackets and hardware				<b>YSFA</b>	16.
						

Ordering Information	Order Code	Included With	Options
<b>Floorstanding Pedestal</b> 1. Pattern Number 2. Case Finish 3. Front Finish 4. Pull Type 5. Pull Finish	<b>Floorstanding Pedestal</b> <i>Example:</i> YSFWFF3018PL, 118T, 118T, E, 118T <b>YSFWFF</b> File/File Double Wide Pedestal	<b>Floorstanding Pedestal</b> Glides File Rails Desk adapter brackets and pencil trays sold separately.	<b>Floorstanding</b> <b>Drawer Front Finish Options:</b> (P)=Painted (L)=Laminate (V)=Veneer
<b>Double Wide Pedestal Desk Support Adapters</b> 1. Pattern Number 2. Paint Finish	<b>30</b> Width <b>18</b> Top Depth <b>P</b> Painted Front <b>L</b> Lock <b>118T</b> Bright White Case <b>118T</b> Bright White Front <b>E</b> Edge Pull <b>118T</b> Bright White Pull	<b>Double Wide Pedestal Desk Support Adapters</b> Hardware <b>Lock Options:</b> To specify a floorstanding pedestal without a lock, replace the "L" suffix in the pattern number with an "N".	<b>Drawer Front Pull Options:</b> (E)=Edge Pull (I)=Insert Pull (O)=Loop Pull Add \$40 to the list price when a pull is specified with a painted finish. See planning guide page for drawer pull finish options.

# Pedestals

## Mobile

### Planning Guidelines and Specifications

#### Mobile Pedestals

Mobile pedestals offer flexibility in location, and include locking casters for stability where located. Metal pedestals are available in painted steel case with painted wood, laminate or veneer fronts. Mobile pedestals may be specified with flat steel top or without a top, for use with optional seat pad tops.

Mobile pedestals are available in combination of one 7"H data file drawer, and one 11"H standard suspended file drawer with a "fifth wheel" for stability. Data drawer can support Knoll universal pencil tray (specified separately) and is tall enough to contain DVD "jewel" cases vertically.

Pencil trays can be specified along with pedestals. The five section pencil tray rides on drawer sides of box or file drawers.

Seat cushions are specified separately for mobile pedestals with an open top. Seat cushions are upholstered from the front to the back of the pedestal with the fabric direction matching the textile sample.

#### Construction

Mobile pedestals include full painted steel surround with no seams at back corners, full extension file drawer slides and ¾ extension data drawer slides, two locking and two non-locking 1 ½" diameter casters, plus caster under file drawer. Actual case height is 20" and stands 2" above the floor. Actual case width is 15" and depths are 17 ½" or 23 ½".

File drawer on 18"D mobile pedestals are 12"W x 15"D and support letter or legal suspended file folders.

File drawer on 24"D mobile pedestals are 12"W x 21"D and include a divider to enable full depth letter or side to side legal suspended filing

Data drawers are 6"H x 12"W x 15" or 21"D.

Pencil trays are plastic injection molded construction, 13 ¼" wide, 5-7/16" deep and 7/8" high.

#### Specification Options

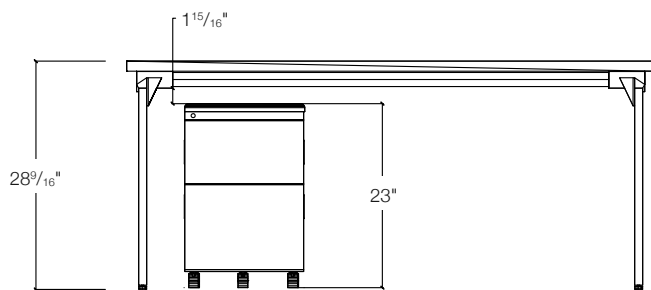
Front is available either painted (P), laminate (L) or veneer (V). Pedestals include lock (L) on upper left corner of pedestal to facilitate moving pedestal.

Case is available in any Knoll Core paint finish. Drawer fronts may be specified in any Knoll Core paint, laminate or veneer finish.

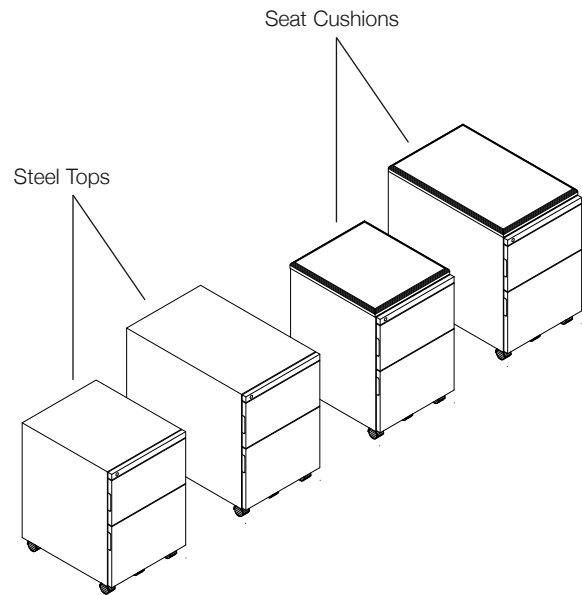
Specify pull type: Edge (E), Insert (I) or Loop (O). Edge pulls are available in any Knoll Core paint finish, Dark Red, Slate Blue or in Chrome (PD). Loop pulls are available in any Knoll Core paint finish, Dark Red or Slate Blue. Insert pulls are available in Chrome (PD).

Seat cushions may be specified in any Antenna approved textile. For Customers Own Material (COM) applications, specify .75 yards of fabric for 17" deep mobile pedestal seat cushion, and .90 yards for 23" deep seat cushion.

Pencil trays are available in either a black or clear finish.



Antenna Desk with Mobile Pedestal Elevation



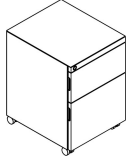
Mobile Pedestal Options

# Pedestals

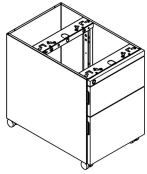
## Mobile

### 18" and 24" Deep

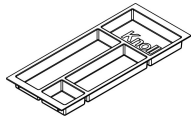
description	type	w	d	h	pattern no.	list	Painted Fronts (P)	Laminate Fronts (L)	V1 Fronts (V)	V2 Fronts (V)	V3 Fronts (V)
Mobile Personal/File Pedestals, Full Top	18" Deep Pedestal	15"	18"	22"	<b>YSMPDF18( )L</b>	\$0.	\$1,122.	\$1,252.	\$1,326.	\$1,417.	\$1,475.
	24" Deep Pedestal	15"	24"	22"	<b>YSMPDF24( )L</b>	0.	1,273.	1,307.	1,521.	1,616.	1,677.



Mobile Personal/File Pedestals, Open Top for Seat Pad	18" Deep Pedestal	15"	18"	22"	<b>YSMOPDF18( )L</b>	0.	1,065.	1,193.	1,289.	1,382.	1,435.
	24" Deep Pedestal	15"	24"	22"	<b>YSMOPDF24( )L</b>	0.	1,199.	1,232.	1,476.	1,568.	1,632.



Pencil Tray		w	d	h	pattern no.	list	Painted Fronts (P)	Laminate Fronts (L)	V1 Fronts (V)	V2 Fronts (V)	V3 Fronts (V)
	Black Finish	13 1/4"	5 7/8"	7/8"	<b>YAPT</b>	41.	0.	0.	0.	0.	0.
	Clear Finish	13 1/4"	5 7/8"	7/8"	<b>YAPTC</b>	48.	0.	0.	0.	0.	0.

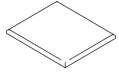


Ordering Information	Order Code	Included With	Options
<b>Mobile Pedestal</b> 1. Pattern Number 2. Case Finish 3. Front Finish 4. Pull Type 5. Pull Finish	<b>Mobile Pedestal</b>  <i>Example:</i> YSMPDF18PL, 118T, 118T, E, 118T  <b>YSMPDF</b> Personal/File Pedestal <b>18</b> Depth <b>P</b> Painted Front <b>L</b> Lock <b>118T</b> Bright White Painted Case <b>118T</b> Bright White Painted Front <b>E</b> Edge Pull <b>118T</b> Bright White Painted Pull	<b>Mobile Pedestal</b> (5) Casters File Rails (24" and 30" Deep Only)  Specify seat pad for open top mobile pedestal separately.  Pencil trays sold separately.	<b>Mobile Pedestal</b>  <b>Drawer Front Finish Options:</b> (P)=Painted (L)=Laminate (V)=Veneer  <b>Drawer Front Pull Options:</b> (E)=Edge Pull (I)=Insert Pull (O)=Loop Pull  Add \$40 to the list price when a pull is specified with a painted finish.  See planning guide page for drawer pull finish options.
		<b>Lock Options:</b> To specify a floorstanding pedestal without a lock, replace the "L" suffix in the pattern number with an "N".	



Pedestals  
*Seat Cushions*  
*18" and 24" Deep*

description	type	w	d	h	pattern no.	A	B	C	D	E	F	G	H	I
Seat Cushions	For 18" Deep Mobile Pedestal	15"	17"	1"	<b>YSSPAD</b>	\$204.	\$236.	\$268.	\$282.	\$298.	\$330.	\$361.	\$410.	\$424.
	For 24" Deep Mobile Pedestal	15"	23"	1"	<b>YSDPAD</b>	251.	282.	330.	345.	377.	410.	455.	503.	520.



**Ordering Information**

**Seat Cushions**

1. Pattern Number
2. Fabric Finish

**Order Code**

**Seat Cushions**

*Example:* **YSSPAD, Y351**

**YS** Storage

**S** 18" Deep

**PAD** Cushion

**Y351** Foundation

**Included With**

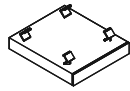
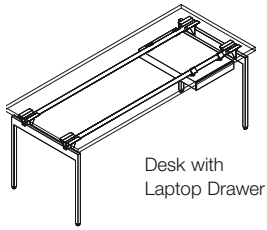
**Seat Cushions**

**Options**

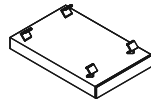
**Seat Cushions**

For CAL133 backing on the cushion, add \$77 to the list price.

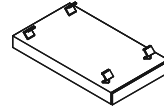
**Laptop Drawer**



21" Deep  
(24" or 27" Deep Top)

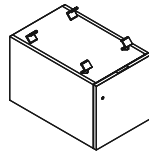


27" Deep  
(30" Deep Top)

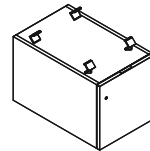


30" Deep  
(36" Deep Top)

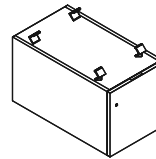
**Suspended Wood Files**



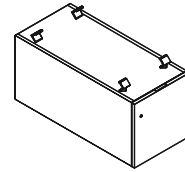
24" Deep Desk



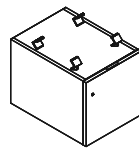
27" Deep Desk



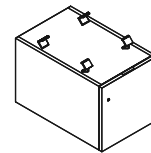
30" Deep Desk



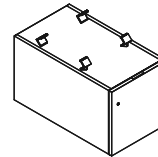
36" Deep Desk



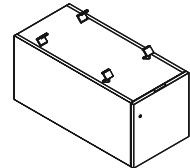
24" Deep Big Table



27" Deep Big Table

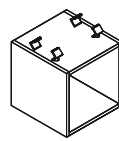
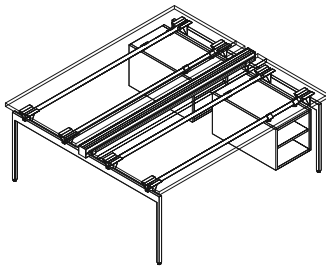
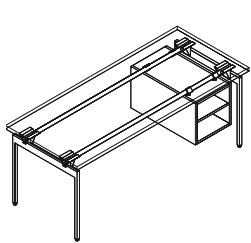


30" Deep Big Table

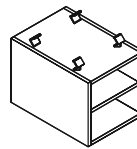


36" Deep Big Table

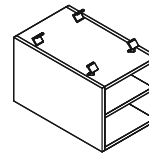
**Suspended Open Cabinet with Front and Back Access**



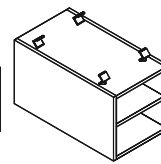
18" Deep



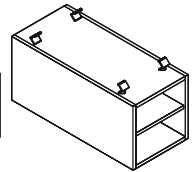
24" Deep



27" Deep

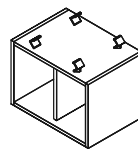
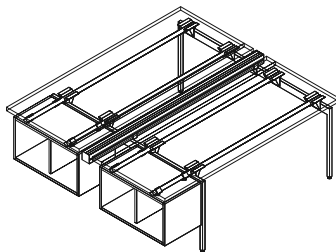
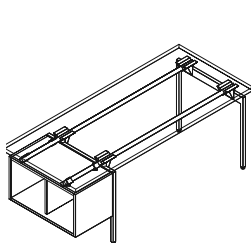


30" Deep

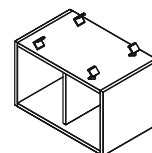


36" Deep

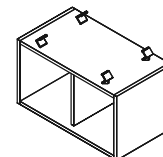
**Suspended Open Cabinet with Side Access**



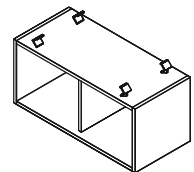
24" Deep



27" Deep

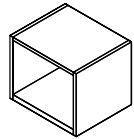
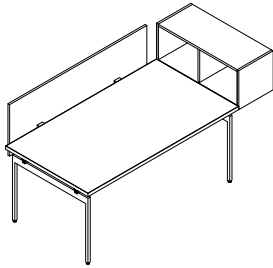


30" Deep

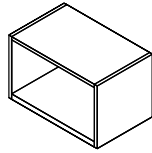


36" Deep

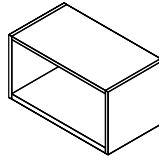
## Desk Extension Cabinets



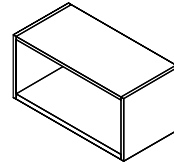
Above Desk  
Extension Cabinet  
18" Deep



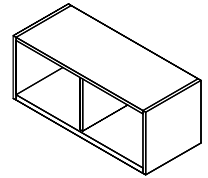
Above Desk  
Extension Cabinet  
24" Deep



Above Desk  
Extension Cabinet  
27" Deep

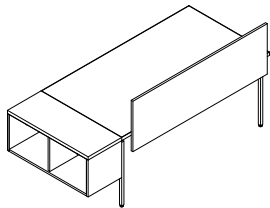


Above Desk  
Extension Cabinet  
30" Deep

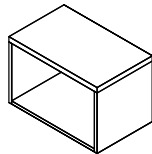


Above Desk  
Extension Cabinet  
36" Deep

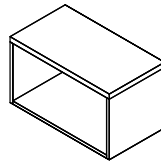
Above Desk Extension  
Cabinet Front



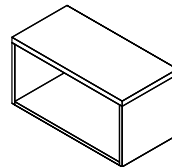
Below Desk Extension  
Cabinet Back



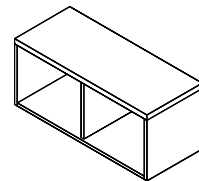
Below Desk  
Extension Cabinet  
24" Deep



Below Desk  
Extension Cabinet  
27" Deep

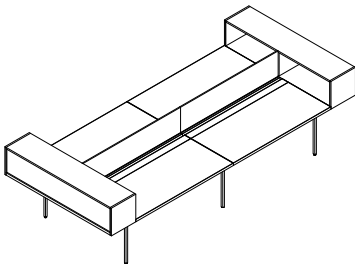


Below Desk  
Extension Cabinet  
30" Deep

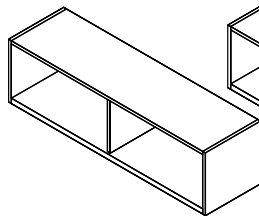


Below Desk  
Extension Cabinet  
36" Deep

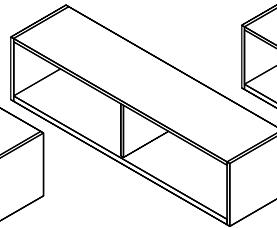
## Big Table Extension Cabinets



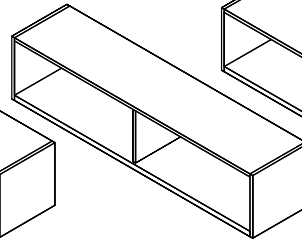
Above Desk Extension  
Cabinets for Big Table



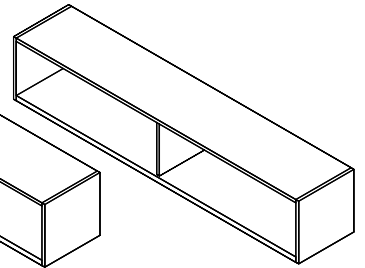
Above Big Table Extension  
Cabinet  
24" Deep Dual Big Table



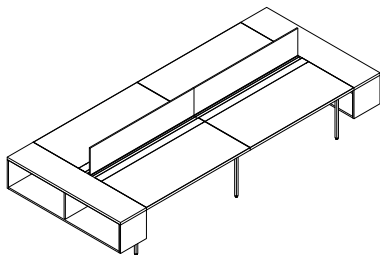
Above Big Table  
Extension Cabinet  
27" Deep Dual Big Table



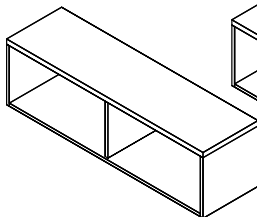
Above Big Table  
Extension Cabinet  
30" Deep Dual Big Table



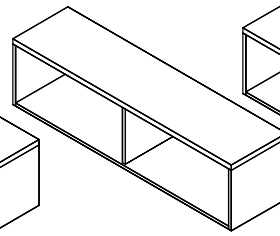
Above Big Table  
Extension Cabinet  
36" Deep Dual Big Table



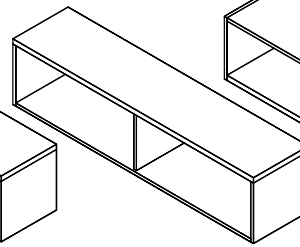
Below Desk Extension  
Cabinets for Big Table



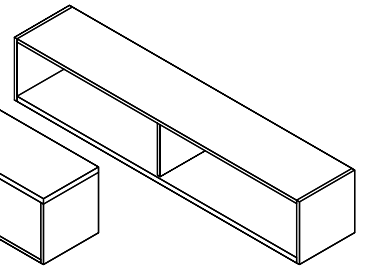
Below Big Table  
Extension Cabinet  
24" Deep Dual Big Table



Below Big Table  
Extension Cabinet  
27" Deep Dual Big Table



Below Big Table  
Extension Cabinet  
30" Deep Dual Big Table



Below Big Table  
Extension Cabinet  
36" Deep Dual Big Table

# Laptop Drawer

## Planning Guidelines and Specifications

The laptop drawer is a 2 1/2" high secure storage drawer for laptops, small personal items or electronics.

It is 15" wide and either 21" deep for use under 24" or 27" deep tops, or 27" deep for use under 30" deep tops, or 30" deep for use under 36" deep tops. It includes brackets for suspension from desk top rails. The drawer interior is 12 3/8" wide x 16 3/4" deep x 2 3/8" high and features two 2" diameter, lined cable grommets in the drawer bottom. Laptop drawers have a lock.

Laptop drawers can be mounted anywhere under desk or big table rails, as close as 3" to the inside face of a leg or directly adjacent to the outside face of a leg.

An optional drawer pad is available for the bottom of the drawer, providing a quiet, resilient surface for stored electronics. The recycled leather pad may be specified with grommets that correspond to the grommets in the drawer bottom or without grommets to cover the grommets in the drawer bottom.

An optional cable net is recommended to manage power cords from the drawer bottom to the back of a laptop drawer case. The net is a flexible open weave construction with a perimeter elastic cord to maintain the shape. The net is fastened to the underside of the laptop drawer case with screws.

Pencil trays can be specified separately for use in a laptop drawer. The five section pencil tray rides on the sides of a laptop drawer.

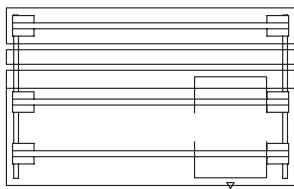
### Construction

The laptop drawer has a steel top enclosure 21" or 27" or 30" deep and full extension 19"D drawer slides. The cable net is made of Polypropylene Net with Nylon. The drawer pad is 1.15mm thick Novous Black recycled leather.

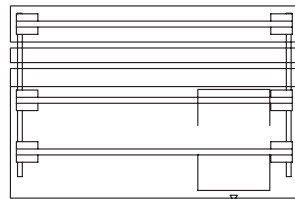
Pencil trays are plastic injection molded construction, 13 1/4" wide, 5 7/16" deep and 7/8" high.

### Specification Options

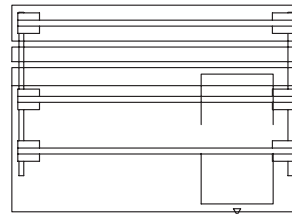
Specify laptop drawer in any Knoll Core paint finish. Drawer pad and net are black. Pencil trays are available in a black or clear finish.



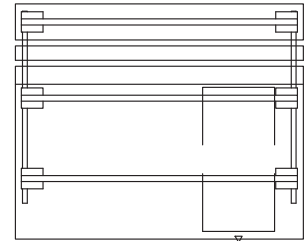
24"D Top with 21" D Laptop Drawer Plan View



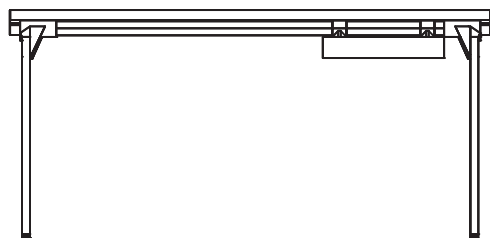
27"D Top with 21" D Laptop Drawer Plan View



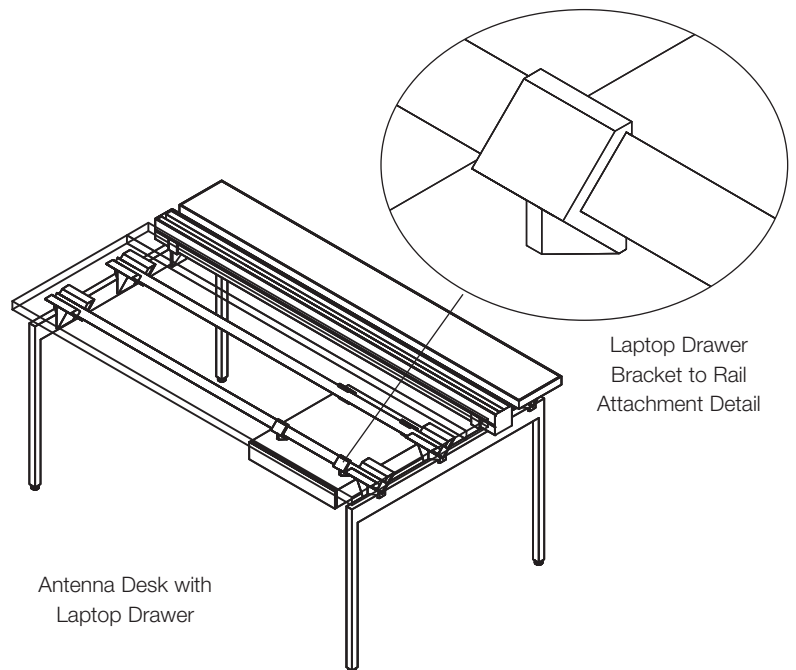
30"D Top with 27" D Laptop Drawer Plan View



36"D Top with 30" D Laptop Drawer Plan View



Antenna Desk with Laptop Drawer Front Elevation View




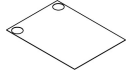
Antenna Desk with Laptop Drawer

Laptop Drawer Bracket to Rail Attachment Detail

# Laptop Drawer

## 15" Wide

description	type	w	d	h	pattern no.	list
	For Use With 24" or 27" Deep Desk or Big Table	15"	21"	3 1/2"	<b>YSAD21</b>	\$958.
	For Use With 30" Deep Desk or Big Table	15"	27"	3 1/2"	<b>YSAD27</b>	1,002.
	For Use With 36" Deep Desk or Big Table	15"	30"	3 1/2"	<b>YSAD30</b>	1,167.

Drawer Pad (with grommet shown) 	For Use With a Laptop Drawer w/o a Grommet				<b>YSADPADN</b>	84.
	For Use With a Laptop Drawer With a Grommet				<b>YSADPADG</b>	84.

Cable Net 	For Use With 21" Deep Laptop Drawer				<b>YSAD21NET</b>	44.
	For Use With 27" D or 30"D Laptop Drawer				<b>YSAD27NET</b>	56.

Pencil Tray 	Black Finish	13 1/4"	5 7/8"	7/8"	<b>YAPTN</b>	41.
	Clear Finish	13 1/4"	5 7/8"	7/8"	<b>YAPTC</b>	48.

### Ordering Information

#### Laptop Drawer

1. Pattern Number
2. Paint Finish

#### Drawer Pad/Cable Net

1. Pattern Number

### Order Code

#### Laptop Drawer

*Example:* **YSAD21, 118T**

<b>YS</b>	Storage
<b>AD</b>	Drawer
<b>21</b>	Depth
<b>118T</b>	Bright White Paint

#### Drawer Pad

*Example:* **YSADPADG**

<b>YS</b>	Storage
<b>AD</b>	Drawer
<b>PAD</b>	Pad
<b>G</b>	With Grommet

### Included With

#### Laptop Drawer

Brackets  
Hardware

Drawer pad, cable net and pencil tray are specified separately from laptop drawer.

### Options

#### Laptop Drawer

Laptop drawers have grommets in the bottom of the drawer and are always locking.

# Suspended Storage

## Wood Files

### Planning Guidelines and Specifications

#### Suspended Wood File

The suspended wood file combines personal storage and filing in a single unit. Suspended wood files attach to 24", 27", 30" or 36" deep desks or big tables. This wood construction cabinet suspends from desk or big table rails and includes a standard letter by legal file drawer. The full file front is 15" x 15" and mounted to a full extension file drawer. The personal drawer is 1" high with independent slides accessible behind the file drawer front.

Suspended wood files can be specified in all laminate or veneer, laminate with veneer front, or mixed surface laminate: "Interior" of laminate open back storage area can be specified in a contrasting core or "pop" laminate.

Cabinets must be specified 3" less than the top depth, inset 1 1/2" from front and back. Cabinet is divided by a vertical partition 18" from the front, and an open shelf storage area in the remaining 3" of a 24"D file, 6" of a 27"D file and 12" of a 33"D file.

File can be mounted to desk rails in the space "outside" a desk end leg inset 15", if the other end of a top is stabilized by being connected to Fence or a perpendicular desk. Suspended file cabinets should be mounted between table desk end legs for freestanding desk applications. Desk rails should be connected to a cantilevered top by YCBDE rail end to top supports.

Suspended file can be ordered with or without a lock in the drawer face and it includes hanger brackets.

Suspended wood files do not accept pencil trays.

#### Construction

Case is composed of 3/4" thick wood panels, with discreet glue-and-dowel connections

#### Specification Options

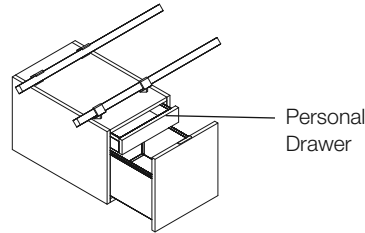
Specify laminate (L), "mixed" two-tone laminate or laminate case with veneer front (M) or veneer (V) case. Wood files are available either locking (L) or non-locking (N).

Case finish exterior is available in any Knoll Core laminate or veneer. When the case exterior is laminate, case interior and inset back are available in any Knoll Core or Accent laminate. When an Accent laminate is specified, the edgeband will match the exterior core laminate finish. When case exterior is specified laminate, specify drawer front finish in any Knoll Core laminate (L) or veneer (V).

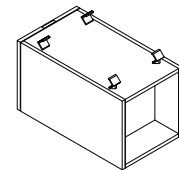
Specify pull type: Edge (E), Insert (I) or Loop (O). Edge pulls are available in any Knoll Core paint finish, Dark Red, Slate Blue or in Chrome (PD). Loop pulls are available in any Knoll Core paint finish, Dark Red or Slate Blue. Insert pulls are available in Chrome (PD).

Suspension brackets may be specified in any Knoll Core paint finish, Dark Red or Slate Blue.

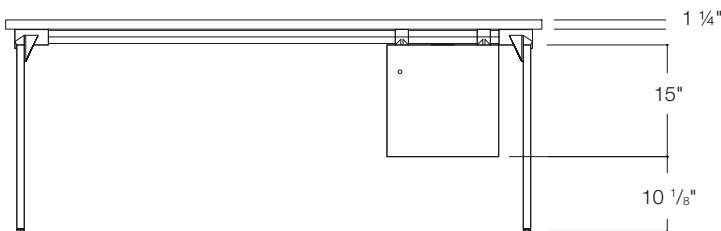
Case Sizes	Back
21"D for 24"D top	Flush back only
24"D for 27"D top	3"D shelf, binder height
27"D for 30"D top	6"D shelf, binder height
33"D for 36"D top	12"D shelf, binder height



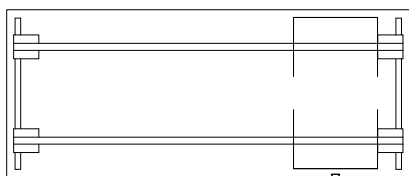
Suspended Wood File, Front View



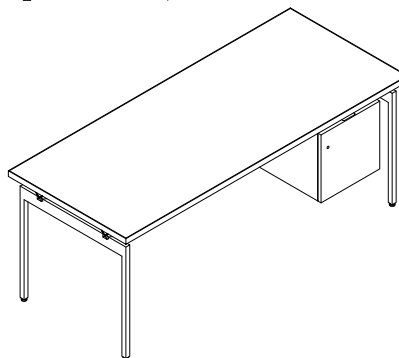
Suspended Wood File, Back View



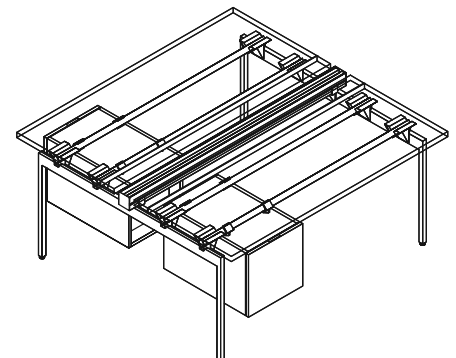
Desk with Suspended Wood File Front Elevation



Desk with Suspended Wood File Plan View

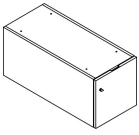


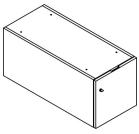
Desk with Suspended Wood File



Big Table with Suspended Wood Files

# Suspended Storage Laminate Wood File 15" Wide

description	type	w	d	h	pattern no.	All Same	Different	Different	Laminate	Laminate	Laminate
						Laminate (Core Lam.) (L)	Laminate Case/ Interior/Front (Core Lam.) (L)	Laminate Case/ Interior/Front (Accent Lam.) (L)			
 Suspended Laminate Wood Files For Use With Desks	For 24" Deep Top	15"	21"	15"	<b>YSSPF21( )L</b>	\$1,491.	n/a	n/a	\$1,641.	\$1,716.	\$1,790.
	For 27" Deep Top	15"	24"	15"	<b>YSSPF24( )L</b>	1,550.	1,705.	2,013.	1,705.	1,782.	1,858.
	For 30" Deep Top	15"	27"	15"	<b>YSSPF27( )L</b>	1,606.	1,766.	2,089.	1,766.	1,847.	1,928.
	For 36" Deep Top	15"	33"	15"	<b>YSSPF33( )L</b>	1,665.	1,830.	2,163.	1,830.	1,914.	1,997.

 Suspended Laminate Wood Files For Use With Big Tables	For 24" Deep Top	15"	21"	15"	<b>YSSPF21( )L</b>	1,491.	n/a	n/a	1,641.	1,716.	1,790.
	For 27" Deep Top	15"	24"	15"	<b>YSSPF24B( )L</b>	1,550.	1,705.	2,013.	1,705.	1,782.	1,858.
	For 30" Deep Top	15"	27"	15"	<b>YSSPF27B( )L</b>	1,606.	1,766.	2,089.	1,766.	1,847.	1,928.
	For 36" Deep Top	15"	33"	15"	<b>YSSPF33B( )L</b>	1,665.	1,830.	2,163.	1,830.	1,914.	1,997.

## Ordering Information

### Suspended Wood File

1. Pattern Number
2. Exterior Case Finish
3. Interior Case Finish (Laminate only)
4. Drawer Front Finish
5. Pull Type
6. Pull Finish
7. Bracket Paint Finish

## Order Code

### Suspended Wood File

*Example:* **YSSPF24LL, 118, 118, 118, E, 118T, 118T**

<b>YSSPF</b>	Suspended Wood File
<b>24</b>	Depth
<b>L</b>	Laminate
<b>L</b>	Lock
<b>118</b>	Bright White Laminate Exterior
<b>118</b>	Bright White Laminate Interior
<b>118</b>	Bright White Laminate Front
<b>E</b>	Edge Pull
<b>118T</b>	Bright White Painted Pull
<b>118T</b>	Bright White Painted Brackets

## Included With

### Suspended Wood File

Brackets  
Hardware

## Options

### Suspended Wood File

#### Case and Front Finish Options:

(L) = All the same laminate or different laminates for the exterior case, interior case and/or drawer front  
(M) = Laminate case with a veneer front

#### Drawer Front Pull Options:

(E) = Edge Pull  
(I) = Insert Pull  
(O) = Loop Pull

See planning guide page for drawer pull finish options.

#### Lock Options:

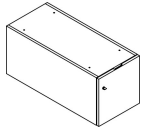
To specify a suspended wood file cabinet without a lock, replace the "L" suffix in the pattern number with an "N".

# Suspended Storage

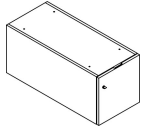
## Veneer Wood File

### 15" Wide

description	type	w	d	h	pattern no.	All V1	All V2	All V3
Suspended Veneer Wood Files For Use With Desks	For 24" Deep Top	15"	21"	15"	<b>YSSPF21VL</b>	\$2,238.	\$2,574.	\$3,344.
	For 27" Deep Top	15"	24"	15"	<b>YSSPF24VL</b>	2,324.	2,672.	3,474.
	For 30" Deep Top	15"	27"	15"	<b>YSSPF27VL</b>	2,409.	2,770.	3,603.
	For 36" Deep Top	15"	33"	15"	<b>YSSPF33VL</b>	2,437.	2,804.	3,645.



Suspended Veneer Wood Files For Use With Big Tables	For 24" Deep Top	15"	21"	15"	<b>YSSPF21BVL</b>	2,238.	2,574.	3,344.
	For 27" Deep Top	15"	24"	15"	<b>YSSPF24BVL</b>	2,324.	2,672.	3,474.
	For 30" Deep Top	15"	27"	15"	<b>YSSPF27BVL</b>	2,409.	2,770.	3,603.
	For 36" Deep Top	15"	33"	15"	<b>YSSPF33BVL</b>	2,437.	2,804.	3,645.



#### Ordering Information

##### Suspended Wood File

1. Pattern Number
2. Case and Drawer Front Finish
3. Pull Type
4. Pull Finish
5. Bracket Paint Finish

#### Order Code

##### Suspended Wood File

*Example:* **YSSPF24VL, Y316, E, 118T, 118T**

<b>YSSPF</b>	Suspended Wood File
<b>24</b>	Depth
<b>V</b>	Veneer
<b>L</b>	Lock
<b>Y316</b>	Maple Veneer
<b>E</b>	Edge Pull
<b>118T</b>	Bright White Painted Pull
<b>118T</b>	Bright White Painted Brackets

#### Included With

**Suspended Wood File**  
Brackets  
Hardware

#### Options

##### Suspended Wood File

##### Drawer Front Pull Options:

(E) = Edge Pull  
(I) = Insert Pull  
(O) = Loop Pull

See planning guide page for drawer pull finish options.

##### Lock Options:

To specify a suspended wood file cabinet without a lock, replace the "L" suffix in the pattern number with an "N".



# Suspended Storage

## Wood Open Cabinets

### Planning Guidelines and Specifications

#### Suspended Open Cabinets

Suspended open cabinets offer personal storage shelves accessible from front, back or end of desks or big tables. Front access cabinets may be specified with 18", 24", 27", 30" or 36"D desk or big table tops. Side access cabinets attach to the end of 24", 27", 30" or 36"D desk or big tables.

Suspended open cabinets are wood construction and suspended from desk or big table top rails at any point. Suspended wood cabinets can be specified in all laminate or veneer or mixed surface laminate: all "Interior" surfaces of laminate open storage areas can be specified in a contrasting core or accent laminate.

Front access cabinets are sized 15"H and 15"W and must be specified in case depths 3" less than the top depth, inset 1 1/2" from front and back.

Cabinet with front and back access is divided by a centered vertical partition, creating a 13 1/2"H binder height shelf on the "back" and a horizontal partition dividing the "front" section. Cabinet can be installed in either orientation. Case 15"D has flush back panel in "exterior" surface on back. Partitions for 21" and deeper open cabinets are considered "interior" surface on both faces.

Cabinet with side access provides full surround, 13 1/2"H x 14"D shelf corresponding to depth of desk or big table top. Front and back panels are 15"x15" fixed panels, case "width" is 21", 24", 27" or 33"D.

Suspended cabinets should be mounted between freestanding desk end legs. Cabinets can be mounted to desk rails in the space "outside" a desk end leg inset 15", if the other end of a top is stabilized by being

connected to a Fence or perpendicular desk. Cabinets include hanger brackets.

#### Construction

Case is composed of 3/4" thick wood panels, with discreet glue-and-dowel connections.

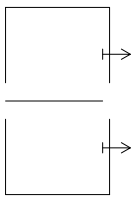
#### Specification Options

Specify laminate (L), "mixed" two-tone laminate (M) or veneer (V) case.

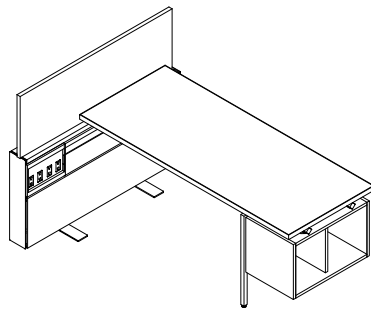
Case finish exterior is available in any Knoll Core laminate or veneer. When the case exterior is laminate, case interior and inset back are available in any Knoll Core or Accent laminate. When an Accent laminate is specified, the edgeband will match the exterior core laminate finish.

Suspension brackets may be specified in any Knoll Core paint finish, Dark Red or Slate Blue.

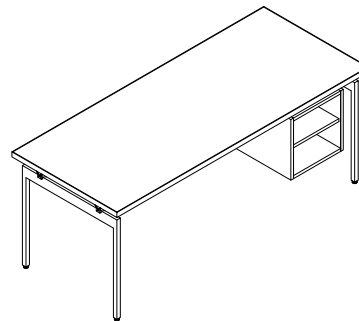
Case Sizes	Front	Back	Side Access Shelf
15"D for 18"D top	14"D shelf	no shelf	not available
21"D for 24"D top	10"D shelf, divided	10"D shelf, binder height	14"D shelf
24"D for 27"D top	11 1/2"D shelf, divided	11 1/2"D shelf, binder height	14"D shelf
27"D for 30"D top	13"D shelf, divided	13"D shelf, binder height	14"D shelf
33"D for 36"D top	16"D shelf, divided	16"D shelf, binder height	N/A



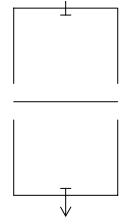
Suspended Side Access Open Cabinet



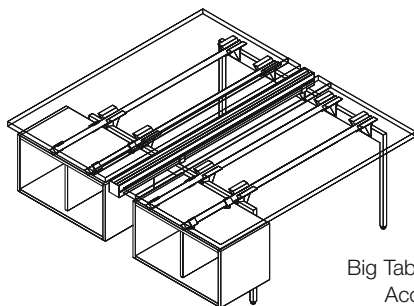
Fence Supported Desk with Suspended Side Access Open Cabinet



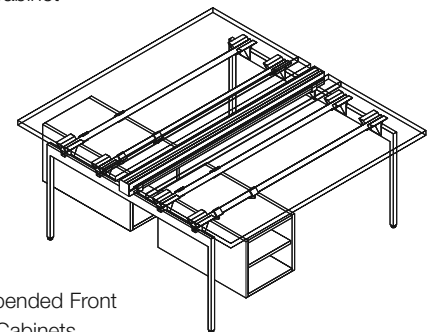
Desk with Suspended Front Access Open Cabinet



Suspended Open Front Access Cabinet



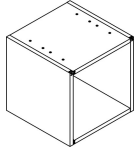
Big Table with Suspended Side Access Open Cabinets



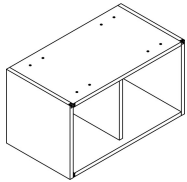
Big Table with Suspended Front Access Open Cabinets

# Suspended Storage Laminate Open Cabinets 15" Wide

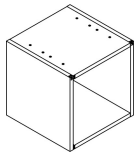
description	type	w	d	h	pattern no.	All Same Laminates (Core Lam.)	Different Laminate	Different Laminate
							Case/Interior (Core Lam.)	Case/Interior (Accent Lam.)
Suspended Laminate Open Cabinets with Front and Back Access For Use With Desks	For 18" Deep Top	15"	15"	15"	<b>YSSOF15L</b>	\$1,032.	\$1,136.	\$1,342.
	For 24" Deep Top	15"	21"	15"	<b>YSSOF21L</b>	1,148.	1,263.	1,491.
	For 27" Deep Top	15"	24"	15"	<b>YSSOF24L</b>	1,205.	1,326.	1,566.
	For 30" Deep Top	15"	27"	15"	<b>YSSOF27L</b>	1,263.	1,388.	1,641.
	For 36" Deep Top	15"	33"	15"	<b>YSSOF33L</b>	1,377.	1,515.	1,790.



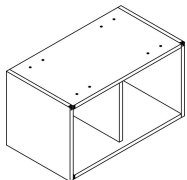
Suspended Laminate Open Cabinets with Side Access For Use With Desks	For 24" Deep Top	15"	21"	15"	<b>YSSOS21L</b>	1,148.	1,263.	1,491.
	For 27" Deep Top	15"	24"	15"	<b>YSSOS24L</b>	1,205.	1,326.	1,566.
	For 30" Deep Top	15"	27"	15"	<b>YSSOS27L</b>	1,263.	1,388.	1,641.



Suspended Laminate Open Cabinets with Front and Back Access For Use With Big Tables	For 18" Deep Top	15"	15"	15"	<b>YSSOF15L</b>	1,032.	1,136.	1,342.
	For 24" Deep Top	15"	21"	15"	<b>YSSOF21L</b>	1,148.	1,263.	1,491.
	For 27" Deep Top	15"	24"	15"	<b>YSSOF24BL</b>	1,205.	1,326.	1,566.
	For 30" Deep Top	15"	27"	15"	<b>YSSOF27BL</b>	1,263.	1,388.	1,641.
	For 36" Deep Top	15"	33"	15"	<b>YSSOF33BL</b>	1,377.	1,515.	1,790.



Suspended Laminate Open Cabinets with Side Access For Use With Big Tables	For 24" Deep Top	15"	21"	15"	<b>YSSOS21L</b>	1,148.	1,263.	1,491.
	For 27" Deep Top	15"	24"	15"	<b>YSSOS24BL</b>	1,205.	1,326.	1,566.
	For 30" Deep Top	15"	27"	15"	<b>YSSOS27BL</b>	1,263.	1,388.	1,641.



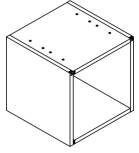
Ordering Information	Order Code	Included With	Options
<b>Suspended Open Cabinet</b>	<b>Suspended Open Cabinet</b>	<b>Suspended Open Cabinet</b>	<b>Suspended Open Cabinet</b>
1. Pattern Number	<i>Example:</i> <b>YSSOF24L, 118, 118, 118T</b>	Brackets	
2. Exterior Case Finish	<b>YSSOF</b> Suspended Open Cabinet	Hardware	
3. Interior Case Finish (Laminate only)	<b>L</b> Laminate Case		
4. Bracket Paint Finish	<b>118</b> Bright White Exterior		
	<b>118</b> Bright White Interior		
	<b>118T</b> Bright White Brackets		

# Suspended Storage

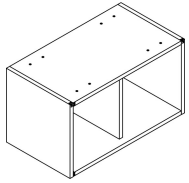
## Veneer Open Cabinets

### 15" Wide

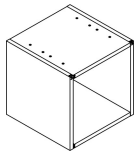
description	type	w	d	h	pattern no.	All V1	All V2	All V3
Suspended Veneer Open Cabinets with Front and Back Access For Use With Desks	For 18" Deep Top	15"	15"	15"	<b>YSSOF15V</b>	\$1,397.	\$1,606.	\$2,089.
	For 24" Deep Top	15"	21"	15"	<b>YSSOF21V</b>	1,597.	1,836.	2,386.
	For 27" Deep Top	15"	24"	15"	<b>YSSOF24V</b>	1,646.	1,893.	2,460.
	For 30" Deep Top	15"	27"	15"	<b>YSSOF27V</b>	1,695.	1,951.	2,536.
	For 36" Deep Top	15"	33"	15"	<b>YSSOF33V</b>	1,796.	2,065.	2,686.



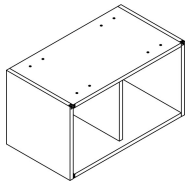
Suspended Veneer Open Cabinets with Side Access For Use With Desks	For 24" Deep Top	15"	21"	15"	<b>YSSOS21V</b>	1,597.	1,836.	2,386.
	For 27" Deep Top	15"	24"	15"	<b>YSSOS24V</b>	1,646.	1,893.	2,460.
	For 30" Deep Top	15"	27"	15"	<b>YSSOS27V</b>	1,695.	1,951.	2,536.



Suspended Veneer Open Cabinets with Front and Back Access For Use With Big Tables	For 18" Deep Top	15"	15"	15"	<b>YSSOF15V</b>	1,397.	1,606.	2,089.
	For 24" Deep Top	15"	21"	15"	<b>YSSOF21V</b>	1,597.	1,836.	2,386.
	For 27" Deep Top	15"	24"	15"	<b>YSSOF24BV</b>	1,646.	1,893.	2,460.
	For 30" Deep Top	15"	27"	15"	<b>YSSOF27BV</b>	1,695.	1,951.	2,536.
	For 36" Deep Top	15"	33"	15"	<b>YSSOF33BV</b>	1,796.	2,065.	2,686.



Suspended Veneer Open Cabinets with Side Access For Use With Big Tables	For 24" Deep Top	15"	21"	15"	<b>YSSOS21V</b>	1,597.	1,836.	2,386.
	For 27" Deep Top	15"	24"	15"	<b>YSSOS24BV</b>	1,646.	1,893.	2,460.
	For 30" Deep Top	15"	27"	15"	<b>YSSOS27BV</b>	1,695.	1,951.	2,536.



#### Ordering Information

##### Suspended Open Cabinet

1. Pattern Number
2. Exterior Case Finish
3. Bracket Paint Finish

#### Order Code

##### Suspended Open Cabinet

*Example:* **YSSOF24V, Y316, 118T**

<b>YSSOF</b>	Suspended Open Cabinet
<b>V</b>	Veneer Case
<b>Y316</b>	Maple Exterior
<b>118T</b>	Bright White Painted Brackets

#### Included With

##### Suspended Open Cabinet

Brackets  
Hardware

#### Options

##### Suspended Open Cabinet

# Extension Cabinets

## For Desks

### Planning Guidelines and Specifications

#### Above Desk Extension Cabinets

Above desk extension cabinet is wood construction, open binder storage that provides some seated privacy at a horizon of 42" on standard height desk. Bottom of cabinet aligns with end of adjacent desk top. Back of cabinet is inset 1/2" to provide niche for optional fabric insert.

Cabinets can be specified in all laminate or veneer or mixed surface laminate: all "Interior" surfaces of laminate open storage areas can be specified in a contrasting core or "pop" laminate. Inset back is considered an interior surface on both faces.

Cabinets are sized 15"H and 15"D and must be specified in case widths to match top depth: 18", 24", 27", 30" or 36". Interior binder storage height is 13".

Desk extension cabinets mount to desk rails specified 12" longer than top normally requires. Specify YSDXUP or YBCDE rail to extension brackets separately and accordingly.

Above desk extension cabinets can not be installed in the same location as a below desk extension cabinet.

#### Construction

Case is composed of 1 3/16" thick bottom (to match desk top) and 3/4" thick sides, back and top panels, with discreet glue-and-dowel connections. 36" wide cabinet has center vertical partition.

Veneer grain direction is horizontal on back, vertical on sides.

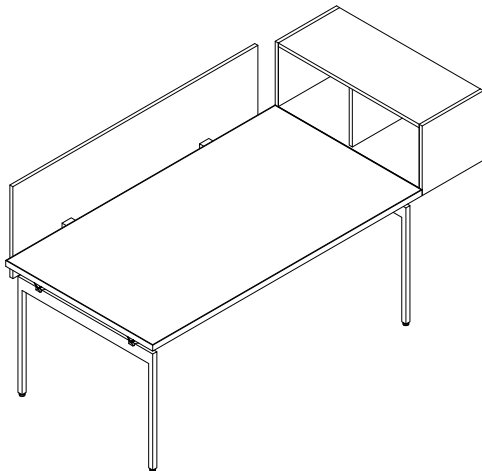
Laminate cabinet matches interior finish on both faces.

#### Specification Options

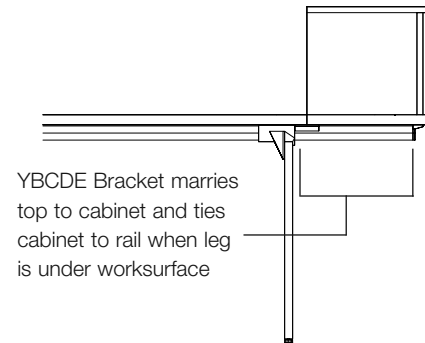
Specify laminate (L), "mixed" two-tone laminate (M) or veneer (V) case.

Case finish exterior is available in any Knoll Core laminate or veneer. When the case exterior is laminate, case interior and inset back are available in any Knoll Core or Accent laminate. When an Accent laminate is specified, the edgeband will match the exterior core laminate finish.

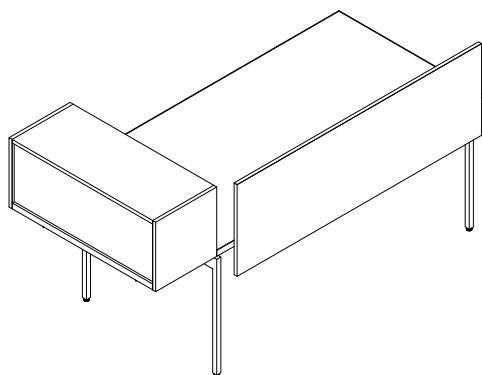
Specify mounting brackets separately.



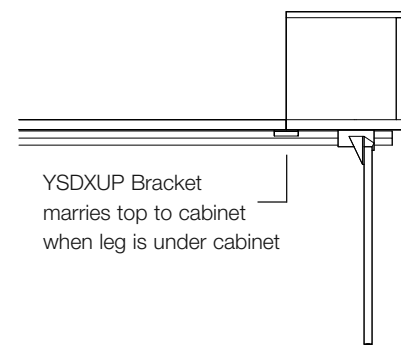
Above Desk Extension Cabinet Front



Above Desk Extension Cabinet Elevation, Leg Under Worksurface



Above Desk Extension Cabinet Back



Above Desk Extension Cabinet Elevation, Leg Under Cabinet

# Extension Cabinets

## For Desks

### Planning Guidelines and Specifications

#### Below Desk Extension Cabinets

Below desk extension cabinet is wood construction, open binder storage that aligns with and provides some enclosure below the end of desk or return. Back of cabinet is open 2" below the top of the cabinet to permit desk support rails to extend inside. Binder opening faces away from the kneespace.

Cabinets can be specified in all laminate or veneer or mixed surface laminate: all "Interior" surfaces of laminate open storage areas can be specified in a contrasting core or "pop" laminate. Outside of flush back is considered an exterior surface.

Cabinets are sized 15 1/2"H and 15"D and must be specified in case widths to match top depth: 24", 27", 30" or 36". Interior binder storage height below rails is 13".

Desk extension cabinets mount to desk rails specified 12" longer than top normally requires. Specify YBCDE rails to extension brackets separately.

Above desk extension cabinets can not be installed in the same location as a below desk extension cabinet.

#### Construction

Case is composed of 1 3/16" thick top (to match desk top) and 3/4" thick sides, back and bottom panels, with discreet glue-and-dowel connections. 36" wide cabinet has center vertical partition.

Veneer grain direction is horizontal on back, vertical on sides.

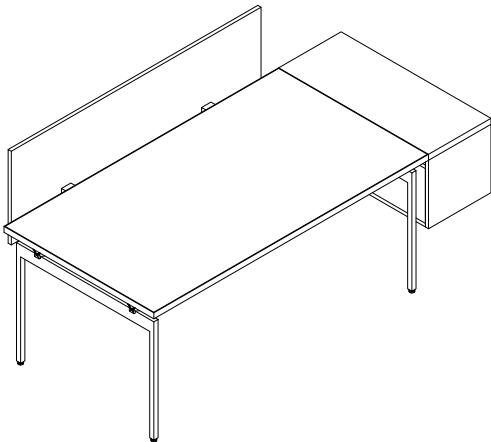
Laminate cabinet back matches exterior finish.

#### Specification Options

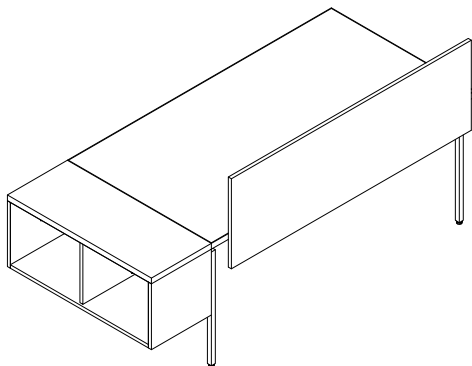
Specify laminate (L), "mixed" two-tone laminate (M) or veneer (V) case.

Case finish exterior is available in any Knoll Core laminate or veneer. When the case exterior is laminate, case interior is available in any Knoll Core or Accent laminate. When an Accent laminate is specified, the edgeband will match the exterior core laminate finish.

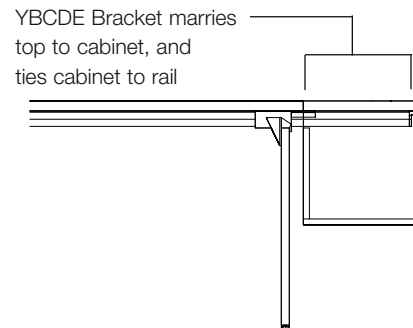
Specify mounting brackets separately.



Below Desk Extension Cabinet Front



Below Desk Extension Cabinet Back

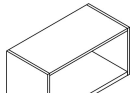


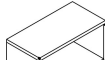
Below Desk Extension Cabinet Elevation

# Extension Cabinets

## For Desks

### Above and Below Tops

description	type	width	depth	height	pattern number	list	All Same	Different	Different	All V1	All V2	All V3
							Laminate (Core Lam.) (L)	Laminate Case/ Interior (Core Lam.) (L)	Laminate Case/ Interior (Accent Lam.) (L)			
	For 18" Deep Top	15"	18"	14 <sup>3</sup> / <sub>4</sub> "	<b>YSDXOS1815()</b>	\$0.	\$1,091.	\$1,199.	\$1,418.	\$1,495.	\$1,721.	\$2,238.
	For 24" Deep Top	15"	24"	14 <sup>3</sup> / <sub>4</sub> "	<b>YSDXOS2415()</b>	0.	1,148.	1,263.	1,491.	1,597.	1,836.	2,386.
	For 27" Deep Top	15"	27"	14 <sup>3</sup> / <sub>4</sub> "	<b>YSDXOS2715()</b>	0.	1,205.	1,326.	1,566.	1,646.	1,893.	2,456.
	For 30" Deep Top	15"	30"	14 <sup>3</sup> / <sub>4</sub> "	<b>YSDXOS3015()</b>	0.	1,263.	1,388.	1,641.	1,695.	1,951.	2,536.
	For 36" Deep Top	15"	36"	14 <sup>3</sup> / <sub>4</sub> "	<b>YSDXOS3615()</b>	0.	1,377.	1,451.	1,716.	1,796.	2,065.	2,685.

	For 24" Deep Top	15"	24"	14 <sup>3</sup> / <sub>4</sub> "	<b>YSDXSS2415()</b>	0.	1,148.	1,263.	1,491.	1,597.	1,836.	2,386.
	For 27" Deep Top	15"	27"	14 <sup>3</sup> / <sub>4</sub> "	<b>YSDXSS2715()</b>	0.	1,205.	1,326.	1,566.	1,646.	1,893.	2,456.
	For 30" Deep Top	15"	30"	14 <sup>3</sup> / <sub>4</sub> "	<b>YSDXSS3015()</b>	0.	1,263.	1,388.	1,641.	1,695.	1,951.	2,536.
	For 36" Deep Top	15"	36"	14 <sup>3</sup> / <sub>4</sub> "	<b>YSDXSS3615()</b>	0.	1,377.	1,515.	1,790.	1,796.	2,065.	2,686.

Connector Kit for Above Desk Extension Cabinets	2 Brackets				<b>YSDXUP</b>	29.	0.	0.	0.	0.	0.	0.
---	------------	--	--	--	---------------	-----	----	----	----	----	----	----

Connector Kit for Above or Below Desk Extension Cabinets	2 Brackets				<b>YBCDE</b>	46.	0.	0.	0.	0.	0.	0.
--	------------	--	--	--	--------------	-----	----	----	----	----	----	----

#### Ordering Information

##### Extension Cabinets

1. Pattern Number
2. Exterior Case Finish
3. Interior Case Finish (Laminate only)

##### Mounting Brackets

1. Pattern Number
2. Paint Finish

#### Order Code

##### Extension Cabinets

*Example:* **YSDXSS2415L, 118,**

**YSDXSS** Below Desk Extension Cabinets

**24** Depth

**15** Width

**L** Laminate

**118** Bright White Laminate

**118** Bright White Laminate

##### Mounting Brackets

*Example:* **YBCDE, 118T**

**YBCDE** Mounting Brackets

**118T** Bright White Paint

#### Included With

##### Extension Cabinets

Specify extension cabinet mounting brackets separately.

Specify rails 12" longer than required top when specifying extension cabinets.

##### Mounting Brackets

Hardware

#### Options

##### Extension Cabinets

###### Case Finish Options:

(L) = All the same or different laminates for the exterior and interior case  
(V) = All the same veneer for the exterior and interior case

# Extension Cabinets

## For Dual Sided Big Tables

### Planning Guidelines and Specifications

#### Above Desk Extension Cabinets for Big Table

Above desk extension cabinet is wood construction, open binder storage that provides some seated privacy at a horizon of 42" on standard height big table. Bottom of cabinet aligns with ends of adjacent desk tops. Back of cabinet is inset 1/2" to provide niche for optional fabric insert.

Cabinets can be specified in all laminate or veneer or mixed surface laminate: all "Interior" surfaces of laminate open storage areas can be specified in a contrasting core or "pop" laminate. Inset back is considered an interior surface on both faces.

Cabinets are sized 15"H and 15"D and must be specified in case widths to match overall big table depth with center beam:

- 53 1/2" case for dual 24" big table
- 59 1/2" case for dual 27" big table
- 65 1/2" case for dual 30" big table
- 77 1/2" case for dual 36" big table

All cabinets have a center partition recessed 1/2" from front edge. 77 1/2" deep cabinets for 36" deep big tables have two center partitions. Interior binder storage height is 13".

Big table extension cabinets mount to desk rails specified 12" longer than tops normally require. Specify YBTE rails to extension brackets separately.

Above desk extension cabinets for big table can not be installed in the same location as a below desk extension cabinet for big table.

#### Construction

Case is composed of 1 3/16" thick bottom (to match desk top) and 3/4" thick sides, back and top panels, with discreet glue-and-dowel connections. 36" wide cabinet has center vertical partition.

Veneer grain direction is horizontal on back, vertical on sides.

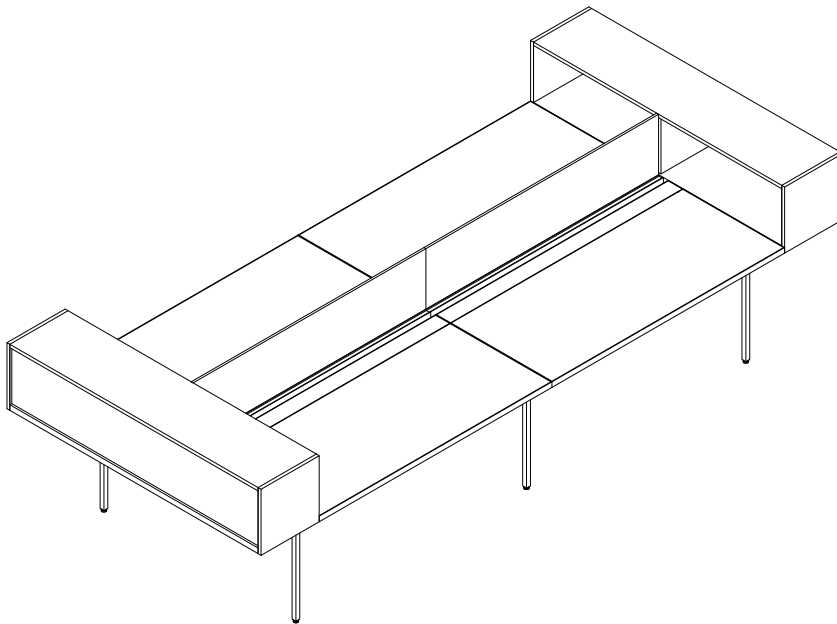
Laminate cabinet matches interior finish on both faces.

#### Specification Options

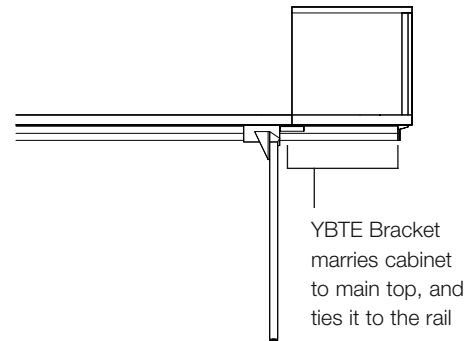
Specify laminate (L), "mixed" two-tone laminate or laminate case with veneer front (M) or veneer (V) case.

Case finish exterior is available in any Knoll Core laminate or veneer. When the case exterior is laminate, case interior and inset back are available in any Knoll Core or Accent laminate. When an Accent laminate is specified, the edgeband will match the exterior core laminate finish.

Specify mounting brackets separately.



Above Desk Extension Cabinets for Big Table



Above Desk Extension Cabinet for Big Table Elevation

\*End Leg must stay under the Center Beam and can not be moved out to be placed under the extension top or cabinet

# Extension Cabinets

## For Dual Sided Big Tables

### Planning Guidelines and Specifications

#### Below Desk Extension Cabinets for Big Table

Below desk extension cabinet for big table is wood construction, open binder storage that aligns with and provides some enclosure below the end of dual big table. Back of cabinet is open 2" below the top of the cabinet to permit desk support rails to extend inside. Binder opening faces away from the kneespace.

Cabinets can be specified in all laminate or veneer or mixed surface laminate: all "Interior" surfaces of laminate open storage areas can be specified in a contrasting core or "pop" laminate. Outside of flush back is considered an exterior surface.

Cabinets are sized 15 1/2"H and 15"D and must be specified in case widths to match overall big table depth with center beam:

- 53 1/2" case for dual 24" big table
- 59 1/2" case for dual 27" big table
- 65 1/2" case for dual 30" big table
- 77 1/2" case for dual 36" big table

All cabinets have a center partition recessed 1/2" from front edge. 77 1/2" deep cabinets for 36" deep big tables have two center partitions. Interior binder storage height is 13".

Desk extension cabinets mount to desk rails specified 12" longer than top normally requires. Specify YBTE rails to extension brackets separately.

Above desk extension cabinets for big table can not be installed in the same location as a below desk extension cabinet for big table.

#### Construction

Case is composed of 1 3/16" thick top (to match desk top) and 3/4" thick sides, back and bottom panels, with discreet glue-and-dowel connections. 36" wide cabinet has center vertical partition.

Veneer grain direction is horizontal on back, vertical on sides.

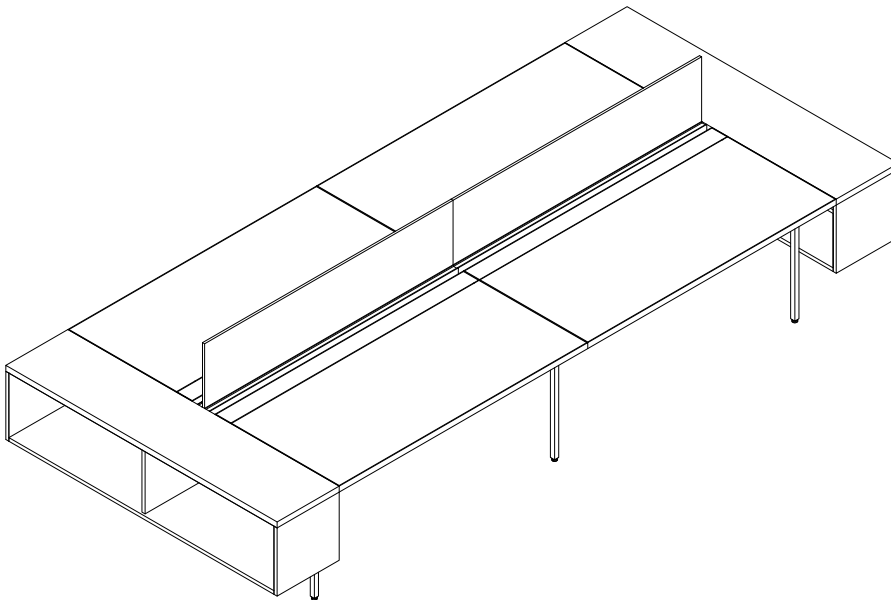
Laminate cabinet back matches exterior finish.

#### Specification Options

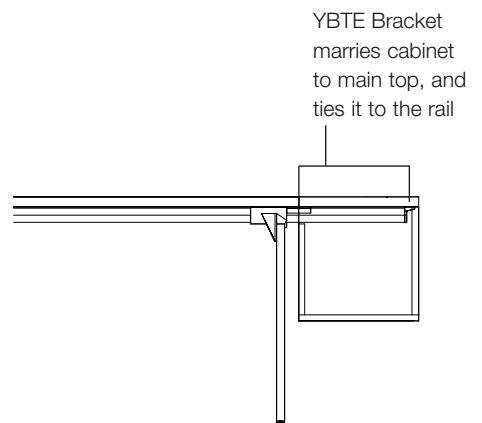
Specify laminate (L), "mixed" two-tone laminate (M) or veneer (V) case.

Case finish exterior is available in any Knoll Core laminate or veneer. When the case exterior is laminate, case interior is available in any Knoll Core or Accent laminate. When an Accent laminate is specified, the edgeband will match the exterior core laminate finish.

Specify mounting brackets separately.



Below Desk Extension Cabinets for Big Table



Below Desk Extension Cabinet for Big Table Elevation

\*End Leg must stay under the Center Beam and can not be moved out to be placed under the extension top or cabinet

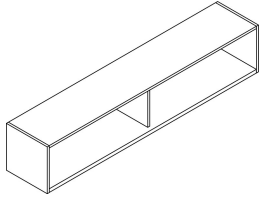


# Extension Cabinets

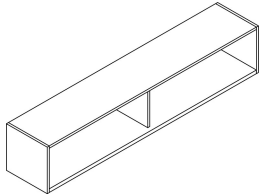
## For Dual Sided Big Tables

### Above and Below Tops

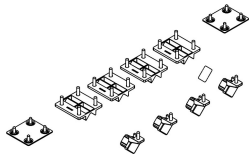
description	type	w	d	h	pattern no.	Paint	All Same	Different	Different	All V1	All V2	All V3
							Laminate (Core Lam.) (L)	Laminate Case/ Interior (Core Lam.) (L)	Laminate Case/ Interior (Accent Lam.) (L)			
Above Big Table Extension Cabinets	For 24" D Big Table	15"	53 1/2"	15"	<b>YSDXOS5315()</b>	n/a	\$1,721.	\$1,893.	\$2,238.	\$2,246.	\$2,582.	\$3,357.
	For 27" D Big Table	15"	59 1/2"	15"	<b>YSDXOS5915()</b>	n/a	1,836.	2,020.	2,386.	2,395.	2,754.	3,580.
	For 30" D Big Table	15"	65 1/2"	15"	<b>YSDXOS6515()</b>	n/a	1,951.	2,145.	2,536.	2,494.	2,869.	3,729.
	For 36" D Big Table	15"	77 1/2"	15"	<b>YSDXOS7715()</b>	n/a	2,123.	2,271.	2,686.	2,793.	3,212.	4,176.



Below Big Table Extension Cabinets	For 24" D Big Table	15"	53 1/2"	15"	<b>YSDXSS5315()</b>	n/a	1,721.	1,893.	2,238.	2,246.	2,582.	3,357.
	For 27" D Big Table	15"	59 1/2"	15"	<b>YSDXSS5915()</b>	n/a	1,836.	2,020.	2,386.	2,395.	2,754.	3,580.
	For 30" D Big Table	15"	65 1/2"	15"	<b>YSDXSS6515()</b>	n/a	1,951.	2,145.	2,536.	2,494.	2,869.	3,729.
	For 36" D Big Table	15"	77 1/2"	15"	<b>YSDXSS7715()</b>	n/a	2,123.	2,335.	2,759.	2,793.	3,212.	4,176.



Connector Kit for Above and Below Big Table Extension Cabinets	4 Brackets				<b>YBTE</b>	104.	n/a	n/a	n/a	n/a	n/a	n/a
--	------------	--	--	--	-------------	------	-----	-----	-----	-----	-----	-----



Ordering Information	Order Code	Included With	Options
<b>Extension Cabinets</b> 1. Pattern Number 2. Exterior Case Finish 3. Interior Case Finish (Laminate only)	<b>Extension Cabinets</b> <i>Example:</i> <b>YSDXSS5915L, 118, 118</b> <hr/> <b>YSDXSS</b> Below Desk Extension Cabinets <hr/> <b>59</b> Depth <hr/> <b>15</b> Width <hr/> <b>L</b> Laminate <hr/> <b>118</b> Bright White Laminate <hr/> <b>118</b> Bright White Laminate <hr/> <b>Mounting Brackets</b> <i>Example:</i> <b>YBTE, 118T</b> <hr/> <b>YBTE</b> Mounting Brackets <hr/> <b>118T</b> Bright White Paint	<b>Extension Cabinets</b> Specify extension cabinet mounting brackets separately.  Specify rails 12" longer than required top when specifying extension cabinets.  <b>Mounting Brackets</b> Hardware	<b>Extension Cabinets</b>  <b>Case Finish Options:</b> (L) = All the same or different laminates for the exterior and interior case (V) = All the same veneer for the exterior and interior case

*Fabric Inserts*

*Planning Guidelines and Specifications*

**Fabric Inserts for Above Desk or Big Table Extension Cabinets**

Fabric back insert is tackable fabric panel, nominal 1/2" thick, that fits in the recess behind the back of above desk and big table extension cabinets. Fabric back inserts are 1 1/2" less wide and 2" less high than cabinet to fit between sides, top and bottom.

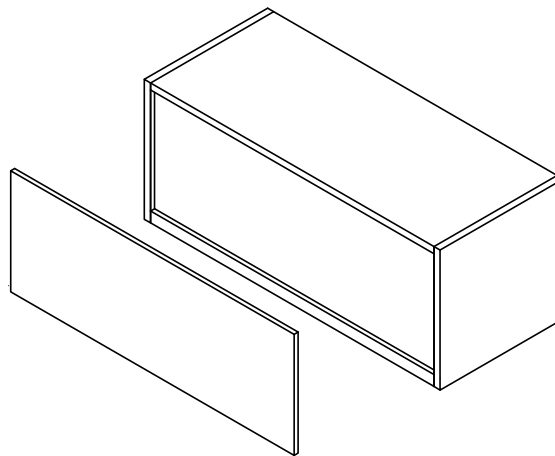
Fabric back insert is not applicable in below desk extension cabinets.

**Construction**

Fabric back insert is 1/2" tackable tile with fabric applied on exterior surface and edges. Fabric inserts are installed using double-sided adhesive tape, which is included. Two fabric inserts are included for big table extension cabinet applications.

**Specification Options**

Fabric inserts may be specified in any Antenna approved textile. For Customers Own Material (COM) applications, see yardage chart in front of Price List.

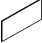



Fabric Inserts are Installed in the Back of Above Desk or Big Table Extension Cabinets

# Extension Cabinets

## *Fabric Inserts*

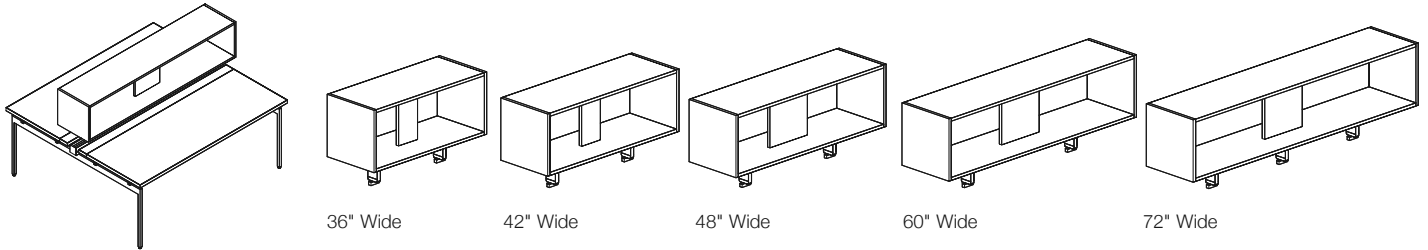
### *For Desk and Big Table Cabinets*

description	type	w	d	h	pattern no.	grade				
						10	20	30	40	45
Fabric Inserts for Above Desk Extension Cabinets 	For 18" Deep Top	1/2"	16 1/2"	13"	<b>YSDXFB18</b>	\$184.	\$191.	\$197.	\$205.	\$213.
	For 24" Deep Top	1/2"	22 1/2"	13"	<b>YSDXFB24</b>	184.	191.	197.	205.	213.
	For 27" Deep Top	1/2"	25 1/2"	13"	<b>YSDXFB27</b>	184.	191.	197.	205.	213.
	For 30" Deep Top	1/2"	28 1/2"	13"	<b>YSDXFB30</b>	184.	191.	197.	205.	213.
	For 36" Deep Top	1/2"	34 1/2"	13"	<b>YSDXFB36</b>	195.	203.	211.	218.	228.
Fabric Inserts for Above Big Table Extension Cabinets 	For 24" Deep Dual Big Table	1/2"	52"	13"	<b>YSDXFB53</b>	232.	241.	251.	259.	268.
	For 27" Deep Dual Big Table	1/2"	58"	13"	<b>YSDXFB59</b>	232.	241.	251.	259.	268.
	For 30" Deep Dual Big Table	1/2"	64"	13"	<b>YSDXFB65</b>	256.	266.	278.	287.	298.
	For 36" Deep Dual Big Table	1/2"	76"	13"	<b>YSDXFB77</b>	256.	266.	278.	287.	298.

Ordering Information	Order Code	Included With	Options
<b>Fabric Inserts</b> 1. Pattern Number 2. Fabric Finish	<b>Extension Cabinets</b> <i>Example:</i> <b>YSDXFB30, W351</b> <b>YSDXFB</b> Fabric Insert <b>30</b> Width <b>W351</b> Foundation	<b>Fabric Inserts</b>	<b>Fabric Inserts</b>

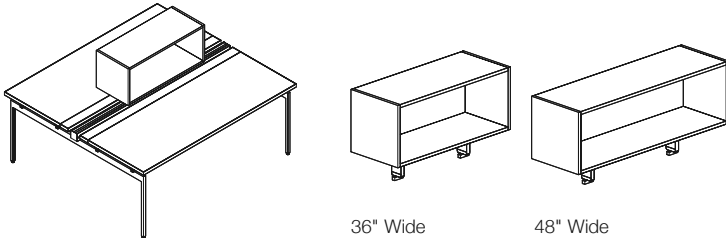
**Wood Storage**

**Open Front and Back Cabinets**



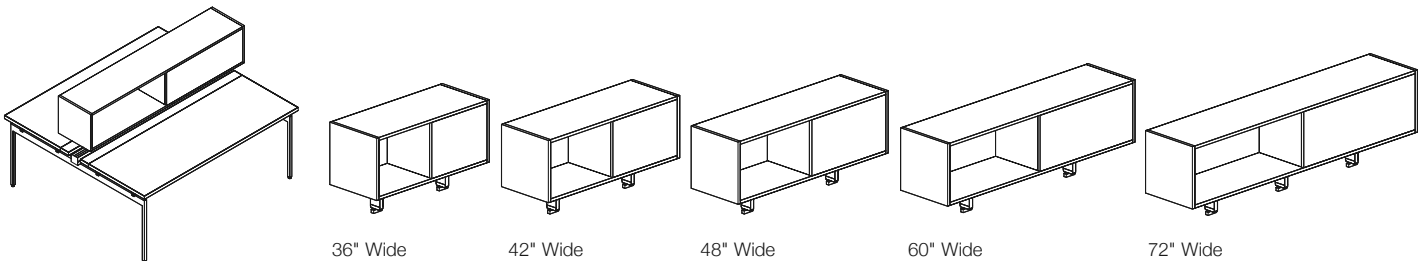
Dual Big Table with Stanchion Mounted  
Open Front and Back Cabinet

**Open Front and Enclosed Back Cabinets**



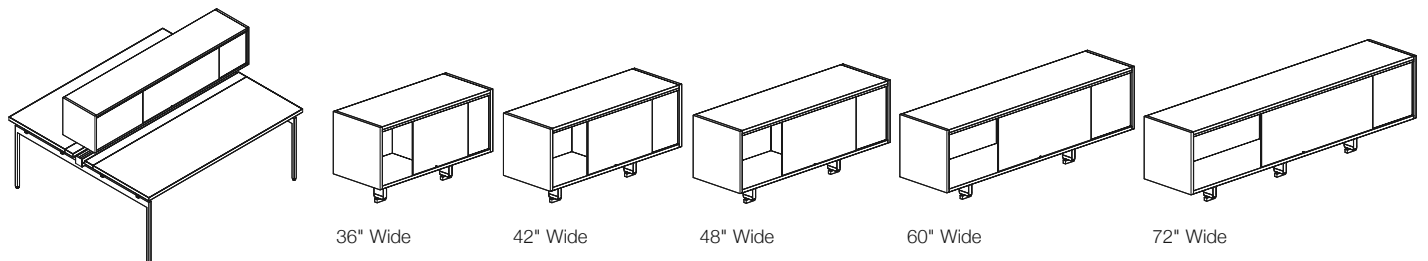
Dual Big Table with Stanchion Mounted  
Open Front and Enclosed Back Cabinet

**Shared Open Front and Enclosed Back Cabinets**



Dual Big Table with Stanchion Mounted Shared  
Open Front and Enclosed Back Cabinet

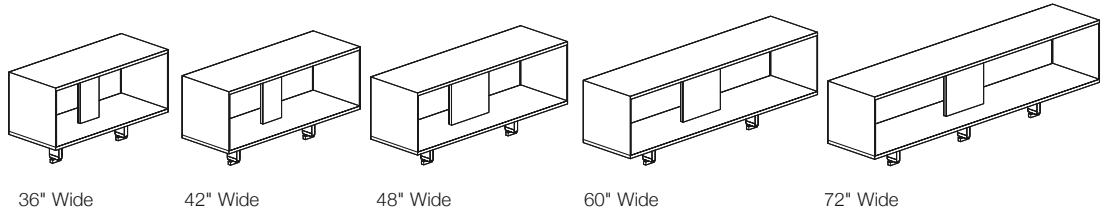
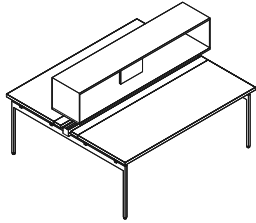
**Shared Sliding Door Cabinets**



Dual Big Table with Stanchion Mounted  
Shared Sliding Door Cabinet

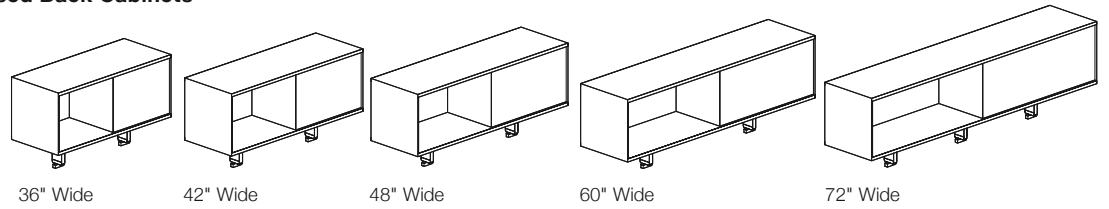
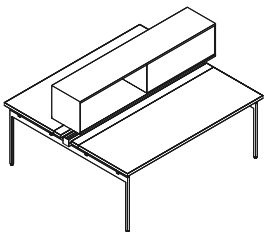
**Metal Storage**

**Open Front and Back Cabinets**



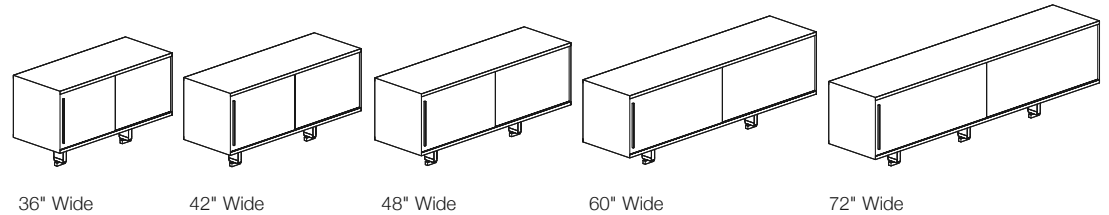
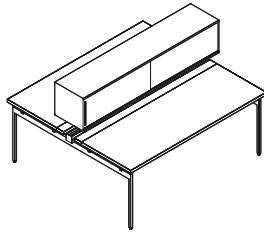
Dual Big Table with Stanchion Mounted Open Front and Back Cabinet

**Shared Open Front and Enclosed Back Cabinets**



Dual Big Table with Stanchion Mounted Shared Open Front and Enclosed Back Cabinet

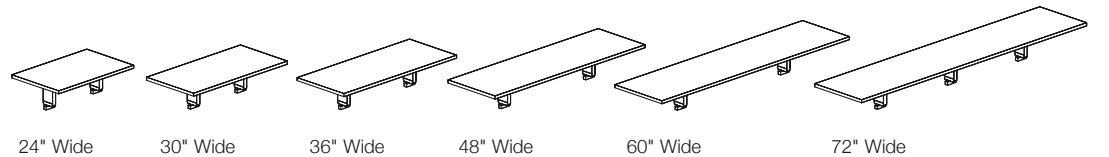
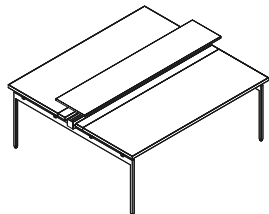
**Shared Sliding Door Cabinets**



Dual Big Table with Stanchion Mounted Shared Sliding Door Cabinet

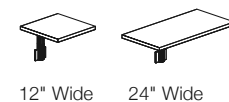
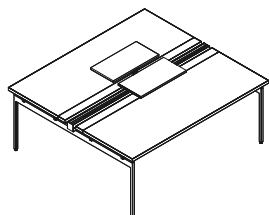
**Shelves**

**Platform Shelves**



Dual Big Table with Platform Shelf

**Cantilever Shelves**



Dual Big Table with Cantilever Shelves

# Stanchion Mounted Wood Storage For Big Table and Fence Planning Guidelines and Specifications

## Stanchion Mounted Open Wood Cabinets

Stanchion mounted open wood cabinets provide binder storage within easy reach from a seated position. Cabinets are available in two configurations: open front with enclosed back, for one-sided use, and open both front and back for shared use.

Cabinets mount on big table center beam or on Fence, with storage stanchion supports, specified separately.

Open front and back cabinets are available in 36", 48", 60" and 72" widths. A center panel parallel to the open front and back provides structural support, and serves to filter sightlines through the cabinet. Cabinets 36"W have a

6" wide center panel, cabinets 42" and wider have a 12" wide center panel. Support panel and all interior surfaces can be specified in a different laminate than exterior surfaces.

Enclosed back cabinets are available in 36" and 48" widths. Enclosed back cabinet has a full back, recessed 1/2" for optional fabric insert, specified separately.

Both sides of recessed back are considered interior surfaces, if specifying two-tone laminate finishes.

All stanchion mounted cabinets are 15"H x 15"D, with 13 1/2" clear interior height for binder storage. Cabinet sides, top and bottom are 3/4" thick, in laminate or veneer, or a combination of laminates.

## Construction

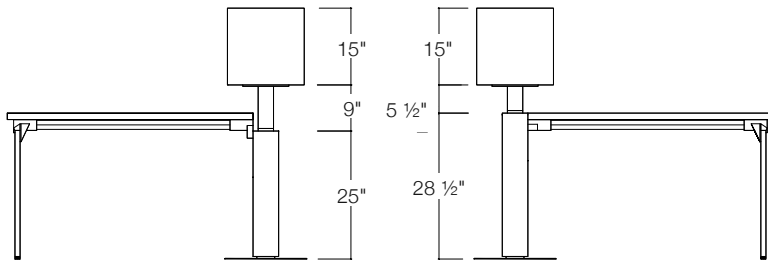
Case is composed of 3/4" thick wood panels, with discreet glue-and-dowel connections.

## Specification Options

Specify laminate (L), "mixed" two-tone laminate (M) or veneer (V) case.

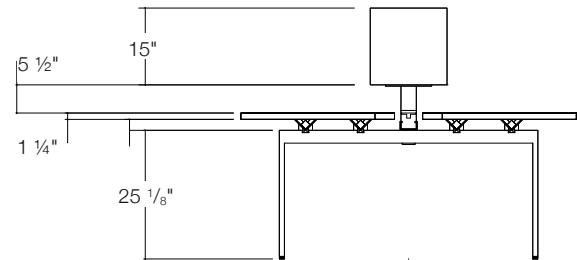
Case finish exterior is available in any Knoll Core laminate or veneer. When the case exterior is laminate, case interior and inset back are available in any Knoll Core or Accent laminate. When an Accent laminate is specified, the edgeband will match the exterior core laminate finish.

Specify stanchions separately.

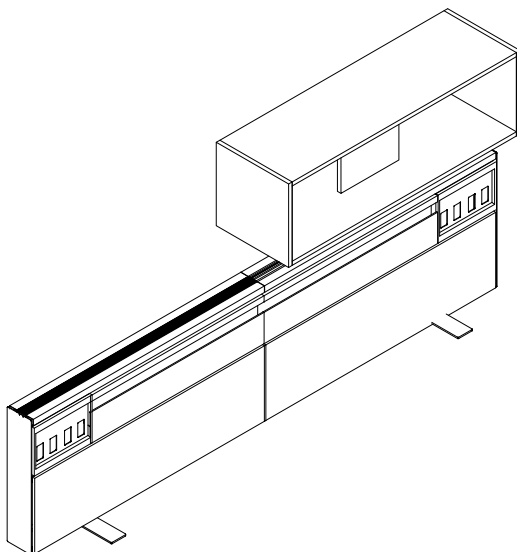


25"H Fence with Stanchion Mounted Open Wood Cabinet Elevation

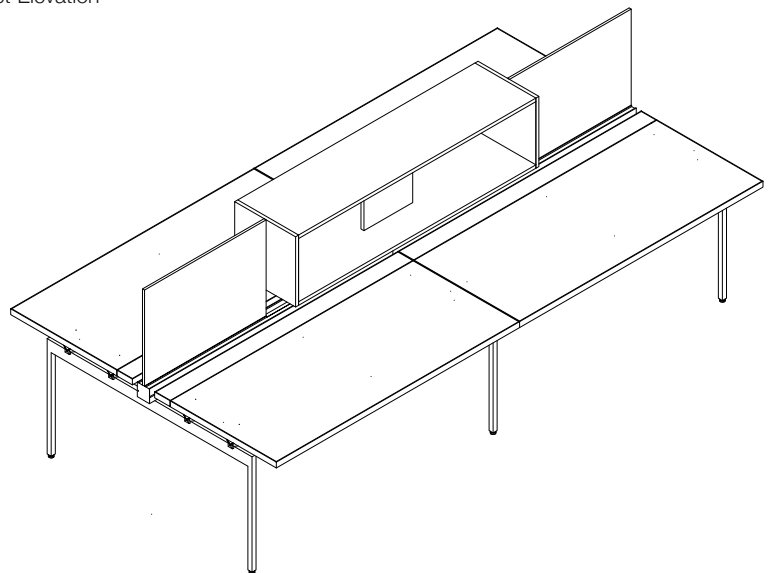
28 1/2"H Fence with Stanchion Mounted Open Wood Cabinet Elevation



Big Table with Stanchion Mounted Open Wood Cabinet Elevation



25"H Fence with Stanchion Mounted Open Wood Cabinet



Big Table with Stanchion Mounted Open Wood Cabinet and Screens

# Stanchion Mounted Wood Storage

## *For Big Table and Fence*

### *Planning Guidelines and Specifications*

#### **Stanchion Mounted Enclosed Wood Cabinets**

Stanchion mounted enclosed wood cabinets provide binder storage within easy reach from a seated position. Cabinets are split with a center partition and a sliding door front on each side of the cabinet for shared use. Cabinets mount on big table center beam or on Fence, with storage stanchion supports, specified separately.

Enclosed wood cabinets are available in 36", 42", 48", 60" and 72" widths.

Each face of cabinet has a sliding door overlapping the recessed back of the cabinet facing the other side.

Cabinets can be specified with both openings on the left or both on the right side.

Cabinets can be specified in all laminate or veneer or mixed surface laminate: all "Interior" surfaces of laminate cabinet can be specified in a contrasting core or "pop" laminate. Partition and inset back are considered interior surfaces on both faces.

All stanchion mounted cabinets are 15"H x 15"D, with 13 ½" clear interior height for binder storage. Cabinet sides, top and bottom are ¾" thick, in laminate or veneer.

#### **Construction**

Case is composed of ¾" thick wood panels, with discreet glue-and-dowel connections.

#### **Specification Options**

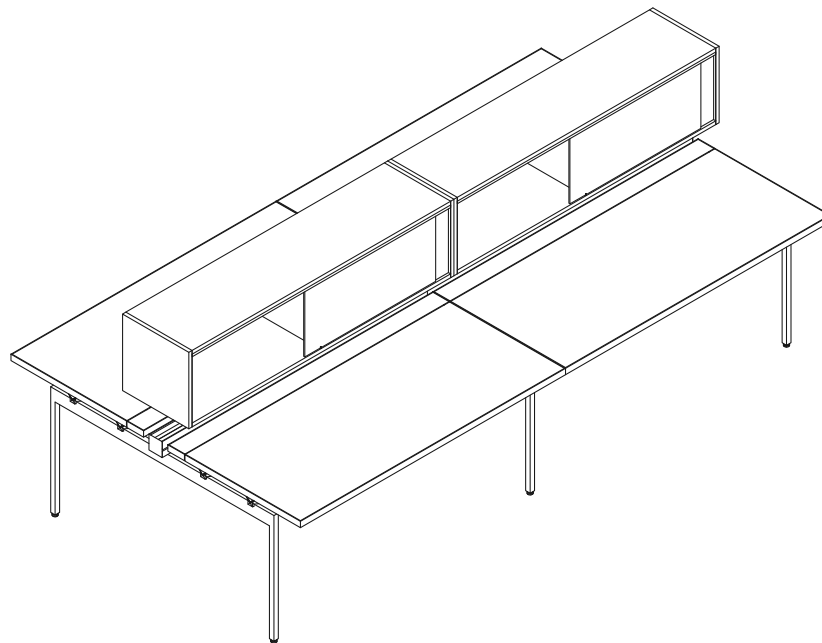
Specify laminate (L), "mixed" two-tone laminate (M) or veneer (V) case. Enclosed wood cabinets are non-locking.

Case finish exterior is available in any Knoll Core laminate or veneer. When the case exterior is laminate, case interior and inset back are available in any Knoll Core or Accent laminate. When an Accent laminate is specified, the edgeband will match the exterior core laminate finish.

Door sets are specified separately to enable any combination of wood or laminate case and doors. Specify drawer front sets in any Knoll Core laminate (L) or veneer (V).

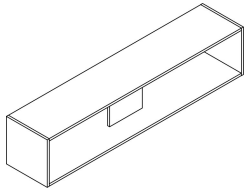
Pulls are available in any Knoll Core paint finish, Dark Red or Slate Blue.

Specify stanchions separately.



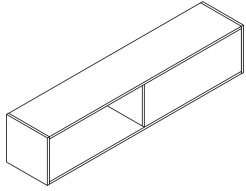
Big Table with Stanchion Mounted Shared Sliding Door Cabinets, Openings on Left

# Stanchion Mounted Wood Storage For Big Table and Fence Open Cabinets

description	w	d	h	pattern no.	All Same	Different	Different	V1	V2	V3
					Laminate (Core Lam.) (L)	Laminate Case/ Interior (Core Lam.) (L)	Laminate Case/ Interior (Accent lam.) (L)			
Stanchion Mounted Cabinet, Open Front and Back 	36"	15"	15"	<b>YSUOS3615()</b>	\$1,032.	\$1,136.	\$1,495.	\$1,495.	\$1,721.	\$2,238.
	42"	15"	15"	<b>YSUOS4215()</b>	1,091.	1,199.	1,546.	1,546.	1,779.	2,311.
	48"	15"	15"	<b>YSUOS4815()</b>	1,148.	1,263.	1,597.	1,597.	1,836.	2,386.
	60"	15"	15"	<b>YSUOS6015()</b>	1,434.	1,577.	1,996.	1,996.	2,295.	2,638.
	72"	15"	15"	<b>YSUOS7215()</b>	1,550.	1,705.	2,145.	2,145.	2,467.	3,207.

Stanchion Mounted Cabinet, Open Front and Enclosed Back 	36"	15"	15"	<b>YSUES3615()</b>	1,205.	1,326.	1,646.	1,646.	1,893.	2,460.
	48"	15"	15"	<b>YSUES4815()</b>	1,377.	1,515.	1,896.	1,896.	2,180.	2,833.

(48" wide cabinet with septum shown)

Stanchion Mounted Shared Cabinet, Open Front and Enclosed Back Opening on Left 	36"	15"	15"	<b>YSUSNDL3615()</b>	1,377.	1,515.	2,124.	2,124.	2,444.	3,175.
	42"	15"	15"	<b>YSUSNDL4215()</b>	1,405.	1,546.	2,173.	2,173.	2,497.	3,247.
	48"	15"	15"	<b>YSUSNDL4815()</b>	1,434.	1,577.	2,219.	2,219.	2,552.	3,317.
	60"	15"	15"	<b>YSUSNDL6015()</b>	1,491.	1,640.	2,358.	2,358.	2,710.	3,522.
	72"	15"	15"	<b>YSUSNDL7215()</b>	1,606.	1,767.	2,453.	2,453.	2,821.	3,667.

## Ordering Information

### Stanchion Mounted Cabinets

1. Pattern Number
2. Exterior Case Finish
3. Interior Case Finish (Laminate only)

## Order Code

### Stanchion Mounted Cabinets

*Example:* **YSUOS6015L, 118, 118**

<b>YSUOS</b>	Stanchion Mounted Cabinets
<b>60</b>	Width
<b>15</b>	Depth
<b>L</b>	Laminate
<b>118</b>	Bright White Laminate
<b>118</b>	Bright White Laminate

## Included With

### Stanchion Mounted Cabinets

Specify stanchion brackets for attachment to big table and fence separately

## Options

### Stanchion Mounted Cabinets

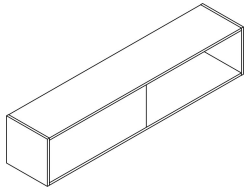
#### Case Finish Options:

(L) = All the same or different laminates for the exterior and interior case  
(V) = All the same veneer for the exterior and interior case



# Stanchion Mounted Wood Storage For Big Table and Fence Open Cabinets

description	w	d	h	pattern no.	All Same	Different	Different	V1	V2	V3
					Laminate (Core Lam.) (L)	Laminate Case/ Interior (Core Lam.) (L)	Laminate Case/ Interior (Accent lam.) (L)			
Stanchion Mounted Shared Cabinet, Open Front and Enclosed Back Opening on Right	36"	15"	15"	<b>YSUSNDR3615()</b>	\$1,377.	\$1,515.	\$2,124.	\$2,124.	\$2,444.	\$3,175.
	42"	15"	15"	<b>YSUSNDR4215()</b>	1,405.	1,546.	2,173.	2,173.	2,497.	3,247.
	48"	15"	15"	<b>YSUSNDR4815()</b>	1,434.	1,577.	2,219.	2,219.	2,552.	3,317.
	60"	15"	15"	<b>YSUSNDR6015()</b>	1,491.	1,640.	2,358.	2,358.	2,710.	3,522.
	72"	15"	15"	<b>YSUSNDR7215()</b>	1,606.	1,767.	2,453.	2,453.	2,821.	3,667.



## Ordering Information

### Stanchion Mounted Cabinets

1. Pattern Number
2. Exterior Case Finish
3. Interior Case Finish  
(Laminate only)

## Order Code

### Stanchion Mounted Cabinets

*Example:* **YSUOS6015L, 118, 118**

<b>YSUOS</b>	Stanchion Mounted Cabinets
<b>60</b>	Width
<b>15</b>	Depth
<b>L</b>	Laminate
<b>118</b>	Bright White Laminate
<b>118</b>	Bright White Laminate

## Included With

### Stanchion Mounted Cabinets

Specify stanchion brackets for attachment to big table and fence separately

## Options

### Stanchion Mounted Cabinets

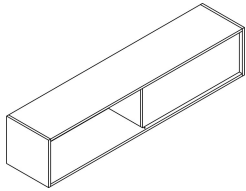
#### Case Finish Options:

(L) = All the same or different laminates for the exterior and interior case  
(V) = All the same veneer for the exterior and interior case

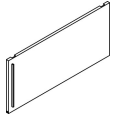
For Big Table and Fence

Shared Sliding Door Cabinets with Opening on Left

description	w	d	h	pattern no.	All Same	Different	Different	V1	V2	V3
					Laminate (Core Lam.) (L)	Laminate Case/ Interior (Core Lam.) (L)	Laminate Case/ Interior (Accent Lam.) (L)			
Stanchion Mounted Shared Sliding Door Cabinet Case, Opening on Left	36"	15"	15"	<b>YSUSDL3615()</b>	\$1,606.	\$1,766.	\$2,638.	\$2,638.	\$3,034.	\$3,945.
	42"	15"	15"	<b>YSUSDL4215()</b>	1,665.	1,830.	2,697.	2,697.	3,101.	4,030.
	48"	15"	15"	<b>YSUSDL4815()</b>	1,721.	1,893.	2,754.	2,754.	3,166.	4,117.
	60"	15"	15"	<b>YSUSDL6015()</b>	2,180.	2,399.	3,098.	3,098.	3,563.	4,630.
	72"	15"	15"	<b>YSUSDL7215()</b>	2,295.	2,524.	3,327.	3,327.	3,826.	4,973.



Sliding Door Kit for Stanchion Mounted Shared Sliding Doors Cabinet Case, Opening on Left	36"	3/4"	15"	<b>YSSDL3615()</b>	631.	n/a	n/a	889.	1,023.	1,330.
	42"	3/4"	15"	<b>YSSDL4215()</b>	660.	n/a	n/a	917.	1,056.	1,372.
	48"	3/4"	15"	<b>YSSDL4815()</b>	689.	n/a	n/a	947.	1,089.	1,416.
	60"	3/4"	15"	<b>YSSDL6015()</b>	718.	n/a	n/a	1,003.	1,158.	1,509.
	72"	3/4"	15"	<b>YSSDL7215()</b>	775.	n/a	n/a	1,091.	1,251.	1,630.

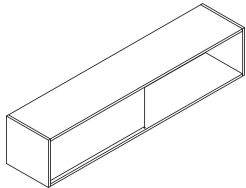


Ordering Information	Order Code	Included With	Options
<p><b>Stanchion Mounted Cabinets</b></p> <ol style="list-style-type: none"> <li>1. Pattern Number</li> <li>2. Exterior Case Finish</li> <li>3. Interior Case Finish (Laminate only)</li> </ol> <p><b>Sliding Doors</b></p> <ol style="list-style-type: none"> <li>1. Pattern Number</li> <li>2. Door Finish</li> <li>3. Pull Finish</li> </ol>	<p><b>Stanchion Mounted Cabinets</b></p> <p><i>Example:</i> <b>YSUSDL6015L, 118, 118</b></p> <hr/> <p><b>YSUSDL</b> Stanchion Mounted Cabinets</p> <hr/> <p><b>60</b> Width</p> <hr/> <p><b>15</b> Depth</p> <hr/> <p><b>L</b> Laminate</p> <hr/> <p><b>118</b> Bright White Laminate</p> <hr/> <p><b>118</b> Bright White Laminate</p> <hr/> <p><b>Sliding Doors</b></p> <p><i>Example:</i> <b>YSSDL6015L, 118</b></p> <hr/> <p><b>YSSD</b> Sliding Doors</p> <hr/> <p><b>L</b> Left</p> <hr/> <p><b>60</b> Width</p> <hr/> <p><b>15</b> Depth</p> <hr/> <p><b>L</b> Laminate</p> <hr/> <p><b>118</b> Bright White Laminate</p>	<p><b>Stanchion Mounted Cabinets</b></p> <p>Specify stanchion brackets for attachment to big table and fence separately</p> <p><b>Sliding Doors</b></p> <p>Hardware</p>	<p><b>Stanchion Mounted Cabinets</b></p> <p><b>Case Finish Options:</b>                      (L) = All the same or different laminates for the exterior and interior case                      (V) = All the same veneer for the exterior and interior case</p> <p><b>Sliding Doors</b></p> <p><b>Door Finish Options:</b>                      (L) = Laminate                      (V) = Veneer</p> <p>Door pulls are available in Knoll core paints, Dark Red (130) and Slate Blue (131) paint finishes.</p>

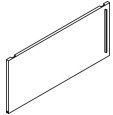
For Big Table and Fence

Shared Sliding Door Cabinets with Opening on Right

description	w	d	h	pattern no.	All Same	Different	Different	V1	V2	V3
					Laminate (Core Lam.) (L)	Laminate Case/ Interior (Accent Lam.) (L)	Laminate Case/ Interior (Accent Lam.) (L)			
Stanchion Mounted Shared Sliding Door Cabinet Case Opening on Right	36"	15"	15"	<b>YSUSDR3615( )</b>	\$1,606.	\$1,766.	\$2,638.	\$2,638.	\$3,034.	\$3,945.
	42"	15"	15"	<b>YSUSDR4215( )</b>	1,665.	1,830.	2,697.	2,697.	3,101.	4,030.
	48"	15"	15"	<b>YSUSDR4815( )</b>	1,721.	1,830.	2,754.	2,754.	3,166.	4,117.
	60"	15"	15"	<b>YSUSDR6015( )</b>	2,180.	2,399.	3,098.	3,098.	3,563.	4,630.
	72"	15"	15"	<b>YSUSDR7215( )</b>	2,295.	2,524.	3,327.	3,327.	3,826.	4,973.



Sliding Door Kit for Stanchion Mounted Shared Sliding Doors Cabinet Case, Opening on Right	36"	3/4"	15"	<b>YSSDR3615 ( )</b>	631.	n/a	n/a	889.	1,023.	1,330.
	42"	3/4"	15"	<b>YSSDR4215 ( )</b>	660.	n/a	n/a	917.	1,056.	1,372.
	48"	3/4"	15"	<b>YSSDR4815 ( )</b>	689.	n/a	n/a	947.	1,089.	1,416.
	60"	3/4"	15"	<b>YSSDR6015 ( )</b>	717.	n/a	n/a	1,003.	1,158.	1,509.
	72"	3/4"	15"	<b>YSSDR7215 ( )</b>	775.	n/a	n/a	1,091.	1,251.	1,630.



**Ordering Information**

**Stanchion Mounted Cabinets**

1. Pattern Number
2. Exterior Case Finish
3. Interior Case Finish (Laminate only)

**Sliding Doors**

1. Pattern Number
2. Door Finish
3. Pull Type
4. Pull Finish

**Order Code**

**Stanchion Mounted Cabinets**

Example: **YSUSDR6015L, 118, 118**

<b>YSUSDR</b>	Stanchion Mounted Cabinets
<b>60</b>	Width
<b>15</b>	Depth
<b>L</b>	Laminate
<b>118</b>	Bright White Laminate
<b>118</b>	Bright White Laminate

**Sliding Doors**

Example: **YSSDR6015L, 118**

<b>YSSD</b>	Sliding Doors
<b>R</b>	Right
<b>60</b>	Width
<b>15</b>	Depth
<b>L</b>	Laminate
<b>118</b>	Bright White Laminate

**Included With**

**Stanchion Mounted Cabinets**  
Specify stanchion brackets for attachment to big table and fence separately

**Sliding Doors**  
Hardware

**Options**

**Stanchion Mounted Cabinets**

**Case Finish Options:**  
(L) = All the same or different laminates for the exterior and interior case  
(V) = All the same veneer for the exterior and interior case

**Sliding Doors**

**Door Finish Options:**  
(L) = Laminate  
(V) = Veneer

Door pulls are available in Knoll core paints, Dark Red (130) and Slate Blue (131) paint finishes.

# Stanchion Mounted Metal Storage For Big Table and Fence Planning Guidelines and Specifications

## Stanchion Mounted Metal Open Cabinets

Stanchion mounted metal open cabinets provide binder storage within easy reach from a seated position. Cabinets are open both front and back for shared use.

Cabinets mount on big table center beam or on Fence, with storage stanchion supports, specified separately.

Open front and back cabinets are available in 36", 42", 48", 60" and 72" widths. A center panel parallel to the open front and back provides structural support, and serves to filter sightlines through the cabinet. Cabinets 36"W have a 6" wide center panel, cabinets 48" and wider have a 12" wide center panel. Enclosed back cabinets are available in 36", 42", 48", 60" and 72" widths. Enclosed back cabinet has a full back, recessed 1/2" for optional fabric insert, specified separately.

All stanchion mounted cabinets are 15"H x 15"D, with 13 1/2" clear interior height for binder storage. Cabinet sides, top and bottom are painted steel finish.

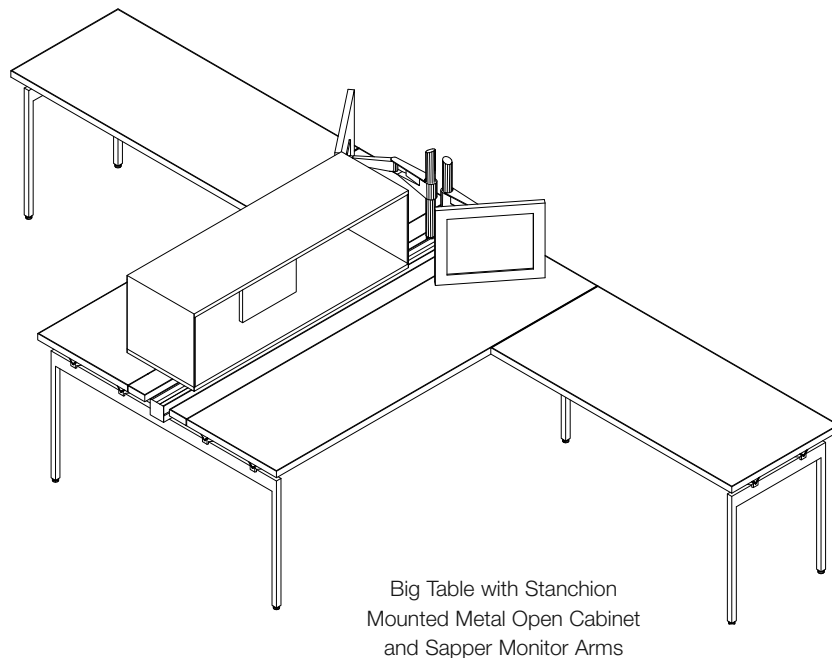
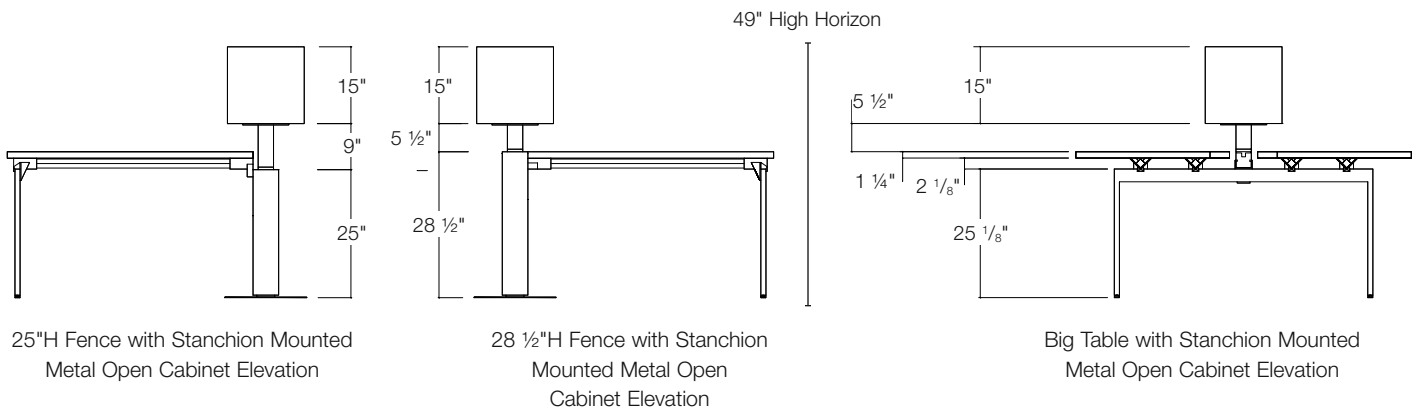
### Construction

Cabinet top and bottom are formed to 3/4" thick, and sides are flat, heavy gauge steel.

### Specification Options

Specify case in any Knoll Core paint finish.

Specify stanchions separately.



# Stanchion Mounted Metal Storage For Big Table and Fence Planning Guidelines and Specifications

## Stanchion Mounted Shared Metal Cabinets

Stanchion mounted shared metal cabinets provide binder storage within easy reach from a seated position. Cabinets are split with a center partition and available open or with a sliding door front on each face. Cabinets mount on big table center beam or on Fence, with a pair of storage stanchion supports, specified separately.

Shared cabinets are available in 36", 42", 48", 60" and 72" widths. Each face of cabinet has a sliding door overlapping the recessed back of the cabinet facing the other side. Cabinets can be specified with both openings on the left or both on the right side.

Cabinets can be specified in all painted finish case and interior, with matching or contrasting doors finish.

All stanchion mounted cabinets are 15"H x 15"D, with 13 1/2" clear interior height for binder storage.

### Construction

Cabinet top and bottom are formed to 3/4" thick, and sides are flat, heavy gauge steel.

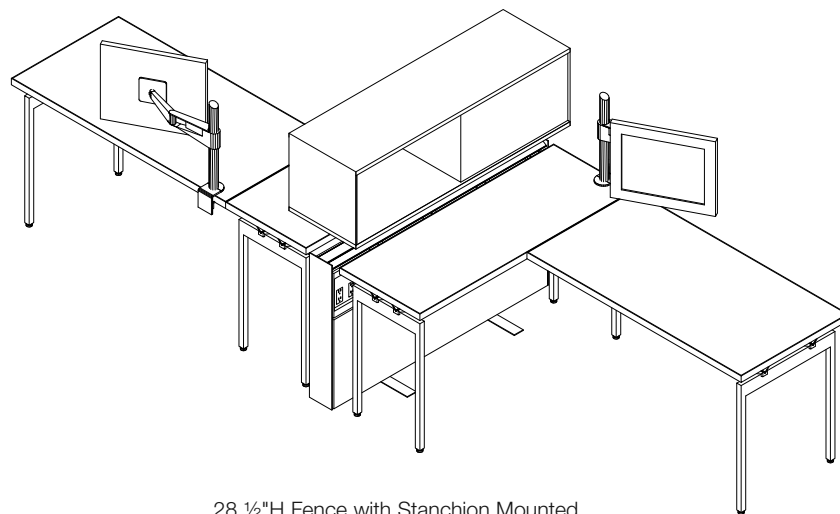
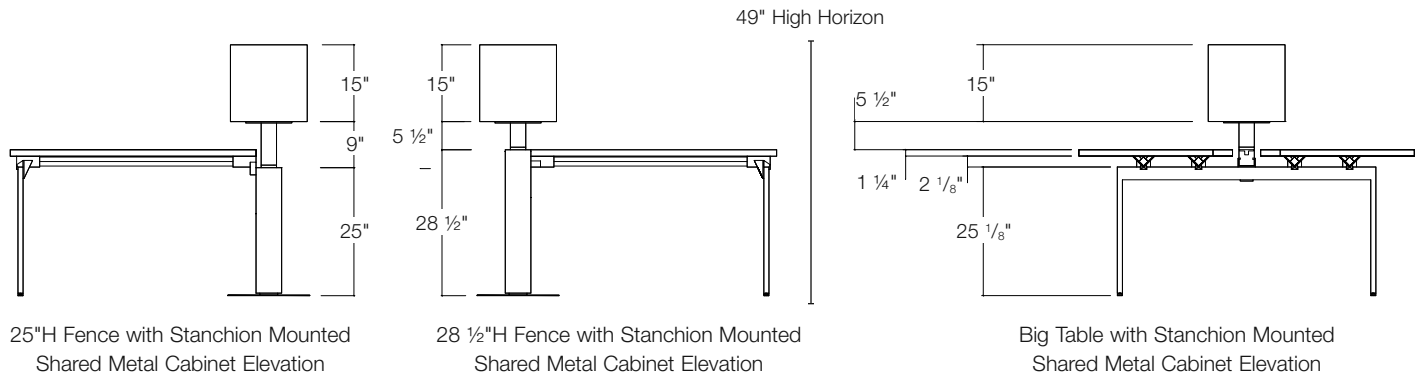
## Specification Options

Specify locking (L) or non-locking (N).

When different paint finishes are being selected for the case, doors or pulls, add a (Y) suffix to the pattern number. If a single paint finish is being specified for all components add an (S).

Specify case, doors and pulls in any Knoll Core paint finish.

Specify stanchions separately.



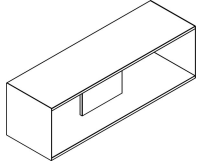
28 1/2"H Fence with Stanchion Mounted Shared Metal Cabinet and Antenna Desks

# Stanchion Mounted Metal Storage

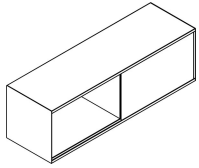
## For Big Table and Fence

### Open and Shared Cabinets

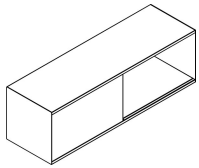
description	w	d	h	pattern no.	list	P2	P3
Stanchion Mounted Cabinets, Open Front and Back	36"	15"	15"	<b>YSMUOS36</b>	\$726.	\$795.	\$830.
	42"	15"	15"	<b>YSMUOS42</b>	750.	821.	856.
	48"	15"	15"	<b>YSMUOS48</b>	777.	852.	890.
	60"	15"	15"	<b>YSMUOS60</b>	947.	1,038.	1,084.
	72"	15"	15"	<b>YSMUOS72</b>	1,010.	1,110.	1,158.



Stanchion Mounted Shared Cabinets, with Enclosed Back and Open Front, Opening on Left	36"	15"	15"	<b>YSMUSOL36</b>	848.	933.	976.
	42"	15"	15"	<b>YSMUSOL42</b>	883.	971.	1,017.
	48"	15"	15"	<b>YSMUSOL48</b>	920.	1,012.	1,060.
	60"	15"	15"	<b>YSMUSOL60</b>	1,112.	1,223.	1,278.
	72"	15"	15"	<b>YSMUSOL72</b>	1,183.	1,301.	1,361.



Stanchion Mounted Shared Cabinets, with Enclosed Back and Open Front, Opening on Right	36"	15"	15"	<b>YSMUSOR36</b>	848.	933.	976.
	42"	15"	15"	<b>YSMUSOR42</b>	883.	971.	1,017.
	48"	15"	15"	<b>YSMUSOR48</b>	920.	1,012.	1,060.
	60"	15"	15"	<b>YSMUSOR60</b>	1,112.	1,223.	1,278.
	72"	15"	15"	<b>YSMUSOR72</b>	1,183.	1,301.	1,361.



#### Ordering Information

##### Stanchion Mounted Open Cabinets

1. Pattern Number
2. Case Paint Finish

#### Order Code

##### Stanchion Mounted Open Cabinets

*Example:* YSMUOS48, 118T

**YSMUOS** Stanchion Mounted Cabinets

**48** Width

**118T** Bright White Paint

#### Included With

##### Stanchion Mounted Open Cabinets

Specify stanchion brackets for attachment to big table and fence separately.

#### Options

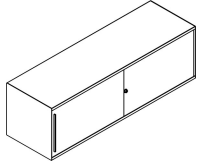
##### Stanchion Mounted Open Cabinets

# Stanchion Mounted Metal Storage

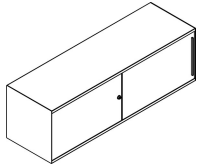
## For Big Table and Fence

### Open and Shared Cabinets

description	w	d	h	pattern no.	list	P2	P3
Stanchion Mounted Shared Cabinets, with Sliding Doors, Opening On Left	36"	15"	15"	<b>YSMUSDL36L()</b>	\$1,059.	\$1,158.	\$1,210.
	42"	15"	15"	<b>YSMUSDL42L()</b>	1,096.	1,201.	1,254.
	48"	15"	15"	<b>YSMUSDL48L()</b>	1,133.	1,240.	1,296.
	60"	15"	15"	<b>YSMUSDL60L()</b>	1,336.	1,464.	1,528.
	72"	15"	15"	<b>YSMUSDL72L()</b>	1,438.	1,576.	1,646.



Stanchion Mounted Shared Cabinets, with Sliding Doors, Opening On Right	36"	15"	15"	<b>YSMUSDR36L()</b>	1,059.	1,158.	1,210.
	42"	15"	15"	<b>YSMUSDR42L()</b>	1,096.	1,201.	1,254.
	48"	15"	15"	<b>YSMUSDR48L()</b>	1,133.	1,240.	1,296.
	60"	15"	15"	<b>YSMUSDR60L()</b>	1,336.	1,464.	1,528.
	72"	15"	15"	<b>YSMUSDR72L()</b>	1,438.	1,576.	1,646.



#### Ordering Information

##### Stanchion Mounted Open Cabinets

1. Pattern Number
2. Case Paint Finish

#### Order Code

##### Stanchion Mounted Open Cabinets

*Example:* YSMUOS48, 118T

**YSMUOS** Stanchion Mounted Cabinets

**48** Width

**118T** Bright White Paint

#### Included With

##### Stanchion Mounted Open Cabinets

Specify stanchion brackets for attachment to big table and fence separately.

#### Options

##### Stanchion Mounted Open Cabinets

# Stanchion Mounted Platform

## For Big Table and Fence

### Planning Guidelines and Specifications

#### Stanchion Mounted Platforms

Platforms are a rectangular laminate or veneer surface that mounts on stanchions on the center beam of a big table or on the crown of either height Fence. Specify a pair of storage support stanchions separately.

Platforms are 15"D, and centered over the stanchions, in widths from 24"-72" in 6" increments.

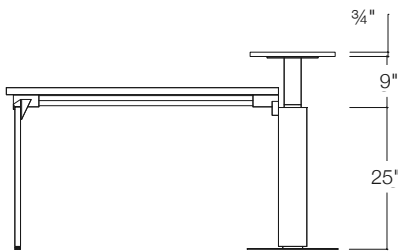
#### Construction

Platforms are 3/4" thick particle MDF with high pressure laminate surface or veneer. Threaded inserts are positioned over stanchion locations.

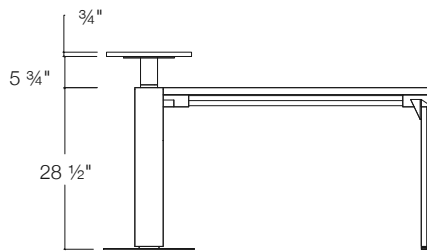
#### Specification Options

Specify either a laminate (L) or veneer (V) surface. Surface finish is available in any Knoll Core laminate or veneer finish.

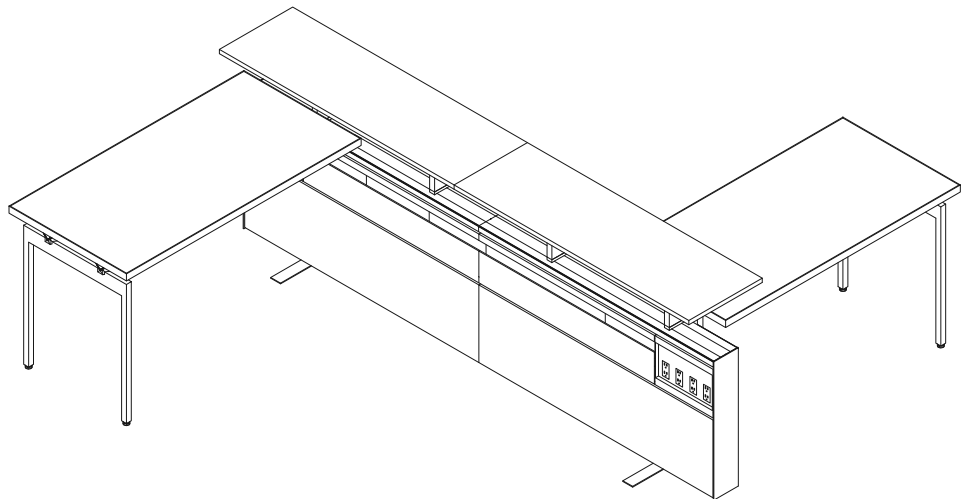
Specify stanchions separately.



25"H Fence with Stanchion Mounted Platform Elevation



28 1/2"H Fence with Stanchion Mounted Platform Elevation



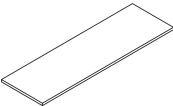
25"H Fence with Stanchion Mounted Platforms and Antenna Desks



# Stanchion Mounted Platform

## For Big Table and Fence

### 15" Deep

description	w	d	h	pattern no.	Laminate (L)	V1 (V)	V2 (V)	V3 (V)
Platform 	24"	15"	3/4"	<b>YSUOP24( )</b>	\$160.	\$384.	\$443.	\$598.
	30"	15"	3/4"	<b>YSUOP30( )</b>	173.	400.	460.	622.
	36"	15"	3/4"	<b>YSUOP36( )</b>	195.	411.	472.	638.
	48"	15"	3/4"	<b>YSUOP48( )</b>	241.	429.	494.	667.
	60"	15"	3/4"	<b>YSUOP60( )</b>	275.	473.	543.	734.
	72"	15"	3/4"	<b>YSUOP72( )</b>	287.	493.	569.	766.

#### Ordering Information

1. Pattern Number
2. Surface Finish

#### Order Code

**Platform**  
*Example:* YSUOP48L, 118  
**YSUOP** Platform  
**48** Width  
**L** Laminate

#### Included With

**Platform**  
 Hardware  
 Specify stanchion brackets for attachment to big table and fence separately

#### Options

**Platform**  
**Surface Finish Options**  
 (L) = Laminate  
 (V) = Veneer

# Stanchion Supports

## Planning Guidelines and Specifications

### Supports for Stanchion Mounted Cabinets and Platforms

Storage support stanchions lift underside of platforms or stanchion mounted wood or metal storage cabinets to 34" above the floor. Top of open or enclosed storage cabinets on stanchions align with Antenna 49" horizon.

Supports are available in sets of two for platforms or storage units up to 60" wide. Specify set of three stanchions for cabinets wider than 60".

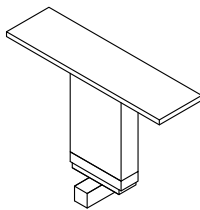
Select supports kit according to application on Big Table center beam, 25"H Fence, or 28"H Fence.

### Construction

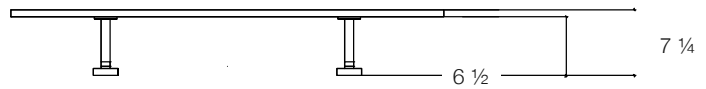
Stanchions are extruded aluminum, with cast adapters specific to center beam or Fence. Top plate connector to storage is steel.

### Specification Options

Stanchions are available in any Knoll Core paint finish, Dark Red or Slate Blue.



Stanchion



Platforms up to 60" wide require 2 stanchions

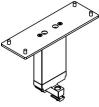
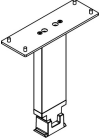
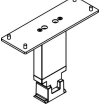


Platforms wider than 60" require 3 stanchions

Stanchion Planning Guidelines

# Stanchion Supports

## For Big Table and Fence

description	type	w	d	h	pattern no.	list
 Stanchions for Big Table	(2) stanchions for cabinets/platforms up to 60" wide	3"	1 1/4"	5"	<b>YSUS2BT</b>	\$115.
	(3) stanchions for cabinets/platforms wider than 60"	3"	1 1/4"	5"	<b>YSUS3BT</b>	173.
 Stanchions for 25" High Fence	(2) stanchions for cabinets/platforms up to 60" wide	3"	1 1/4"	8"	<b>YSUS2F25</b>	126.
	(3) stanchions for cabinets/platforms wider than 60"	3"	1 1/4"	8"	<b>YSUS3F25</b>	190.
 Stanchions for 28 1/2" High Fence	(2) stanchions for cabinets/platforms up to 60" wide	3"	1 1/4"	5"	<b>YSUS2F28</b>	115.
	(3) stanchions for cabinets/platforms wider than 60"	3"	1 1/4"	5"	<b>YSUS3F28</b>	173.

Ordering Information	Order Code	Included With	Options
<b>Stanchions</b> 1. Pattern Number 2. Paint Finish	<b>Stanchions</b> <i>Example:</i> YSUS2BT, 118T <b>YSUS</b> Stanchions <b>2</b> Quantity <b>BT</b> Big Table <b>118T</b> Bright White Paint	<b>Stanchions</b> Hardware	<b>Stanchions</b>

# Cantilever Shelves

## Planning Guidelines and Specifications

### Cantilever Shelves

Cantilever shelves provide additional level of work surface 6" above tops. Cantilever shelves are supported independently at any point on either side of Big Table center beam or clamp on to the back edge of Antenna desk tops. Cantilever shelves are available in 12"D x 12" or 24" wide laminate or veneer surface  $\frac{3}{4}$ " thick. Maximum weight limit for a 12" x 12" shelf is 58 lbs and for a 12" x 24" shelf is 29 lbs.

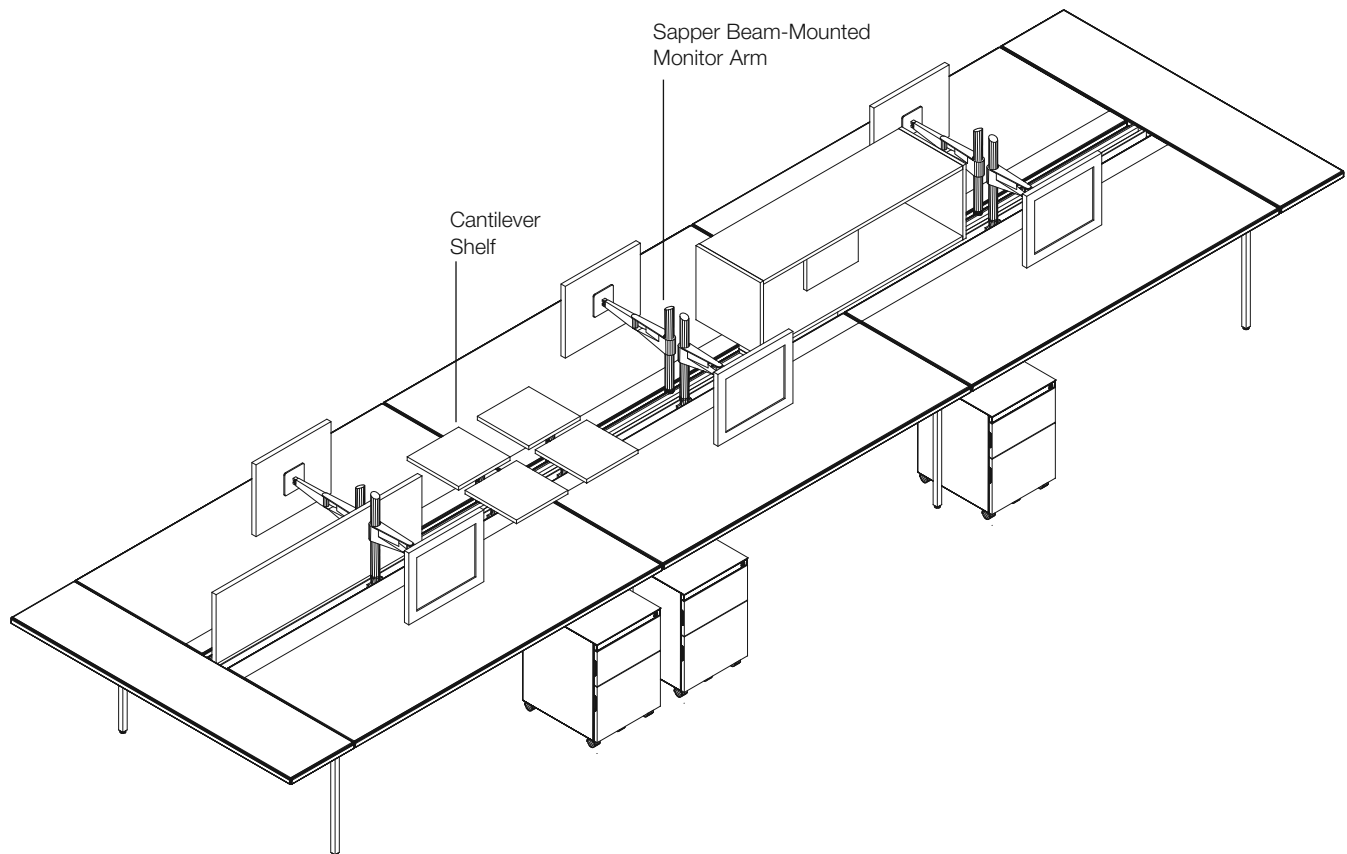
### Construction

Cantilever shelves are solid MDF with veneer or laminate surface

### Specification Options

Specify either a laminate (L) or veneer (V) surface. Surface finish is available in any Knoll Core laminate or veneer finish.

Cantilever support bracket is available in any Knoll Core paint finish, Dark Red or Slate Blue. Cantilever desk mounted clamp is Medium Grey.

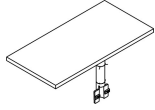


Big Table with Accessories

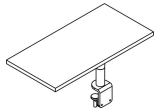
# Cantilever Shelves

## 12" and 24" Wide

description	w	d	h	pattern no.	Laminate (L)	V1 (V)	V2 (V)	V3 (V)
Cantilever Shelf for Big Table, attaches to center beam	12"	12"	12"	<b>YSCS1212()</b>	\$287.	\$402.	\$459.	\$619.
	24"	12"	12"	<b>YSCS2412()</b>	310.	436.	539.	803.



Desk Mounted Cantilever Shelf, clamps to worksurface	12"	12"	12"	<b>YSCSD1212()</b>	375.	492.	549.	709.
	24"	12"	12"	<b>YSCSD2412()</b>	400.	526.	629.	893.



### Ordering Information

#### Cantilever Shelf

1. Pattern Number
2. Shelf Finish
3. Support/Bracket Paint Finish

### Order Code

#### Cantilever Shelf

*Example:* YSCS2412L, 118, 118T

<b>YSCS</b>	Cantilever Shelf
<b>24</b>	Width
<b>12</b>	Depth
<b>L</b>	Laminate
<b>118</b>	Bright White Laminate
<b>118T</b>	Bright White Paint

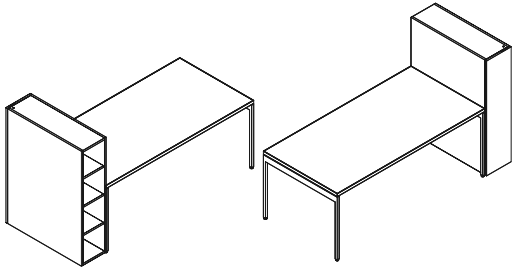
### Included With

**Cantilever Shelf**  
Support column  
Hardware

### Options

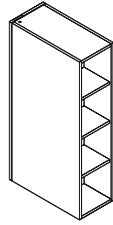
**Cantilever Shelf**  
Finish Options:  
(L) = Laminate  
(V) = Veneer

**Personal Desk-End Cabinets with Open Front and Hinged Door Back**

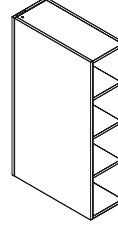


Desk with Personal Desk End Cabinet with Open Front and Hinged Door Back, Front

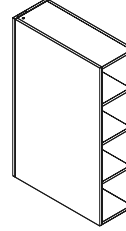
Desk with Personal Desk End Cabinet with Open Front and Hinged Door Back, Back



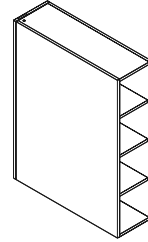
24" Deep



27" Deep

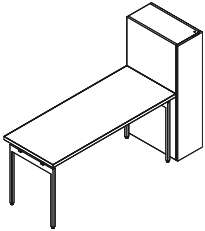


30" Deep

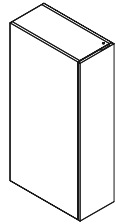


36" Deep

**Personal Desk-End Cabinets with Hinged Door**

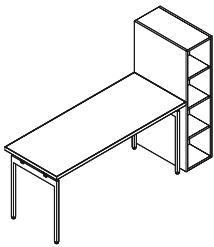


Desk with Personal Desk End Cabinet with Hinged Door

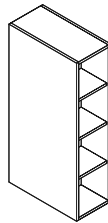


24" Deep

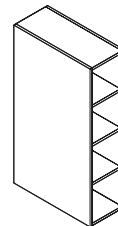
**Shared Desk-End Cabinets with Open Front and Back**



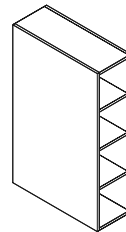
Desk with Shared Desk End Cabinet with Open Front and Back



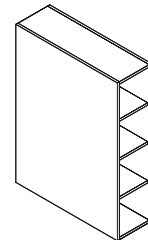
24" Deep



27" Deep

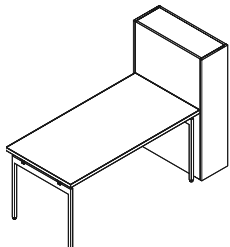


30" Deep

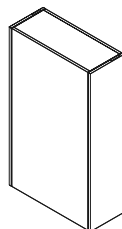


36" Deep

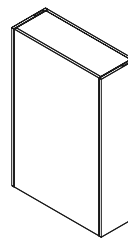
**Shared Desk-End Cabinets with Hinged Door Front and Back**



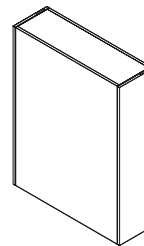
Desk with Shared Desk End Cabinet with Hinged Door Front and Back



27" Deep

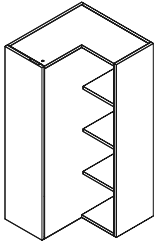


30" Deep

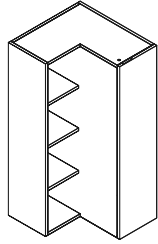


36" Deep

**L Cabinets**



Door on Left



Door on Right

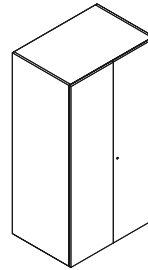
**Wardrobe Cabinets**



18" Wide  
Hinged on Left

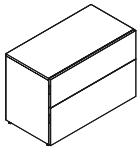


18" Wide  
Hinged on Right

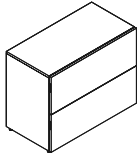


36" Wide  
Double Doors

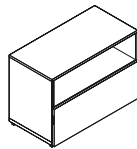
**File Cabinets**



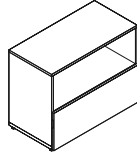
25" High



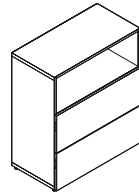
28" High



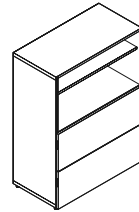
25" High



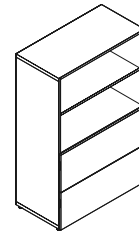
28" High



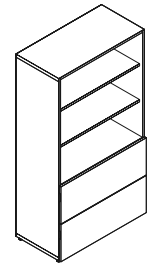
42" High



49" High

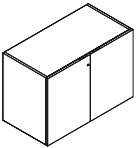


56" High

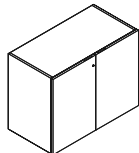


67" High

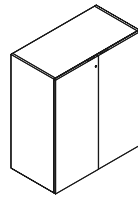
**Enclosed Shelf Cabinets**



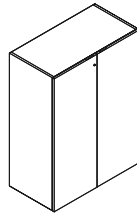
25" High



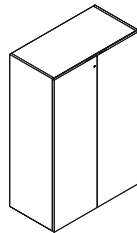
28" High



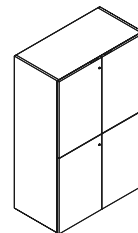
42" High



49" High

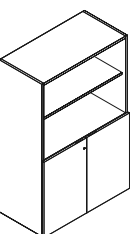


56" High

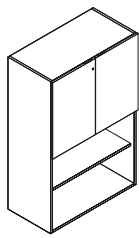


56" High

**Partially Enclosed Shelf Cabinets**

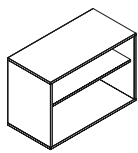


56" High

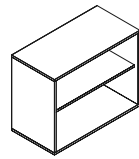


56" High

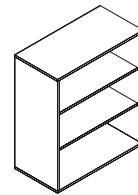
**Open Shelf Cabinets**



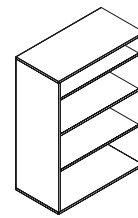
25" High



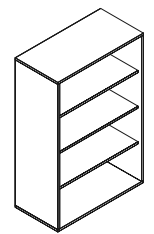
28" High



42" High



49" High



56" High

### Personal Desk-End Cabinets

Desk-end cabinets are space-efficient storage designed to provide enclosure at the end of a desk. Personal desk-end cabinets include brackets to secure side of cabinet to adjacent desk for stability.

Personal desk-end cabinets are 49"H, 12"W, and available in 24", 27", 30" and 36" depths.

Personal desk-end cabinets 27"-36"D include a partition dividing the depth of the cabinet, with three adjustable 12 1/2"D shelves in front and a coat hook and door in back.

Personal desk-end cabinet 24"D includes a fixed, flush back, and three adjustable 12 1/2"D shelves and door in front. Space in front of shelves is suitable for coat storage, with coathook included.

Shared desk-end cabinets can be specified in any core laminate or veneer for case, shelves and door.

Enclosed desk-end cabinets can also be specified in laminate with contrasting laminate or veneer doors.

### Construction

Desk-end cabinets are composed of 3/4" MDF panels joined in discreet, glue-and-dowel construction.

Doors open 135 degrees for easy access.

Desk-end cabinets include levelers with 1 1/2" travel.

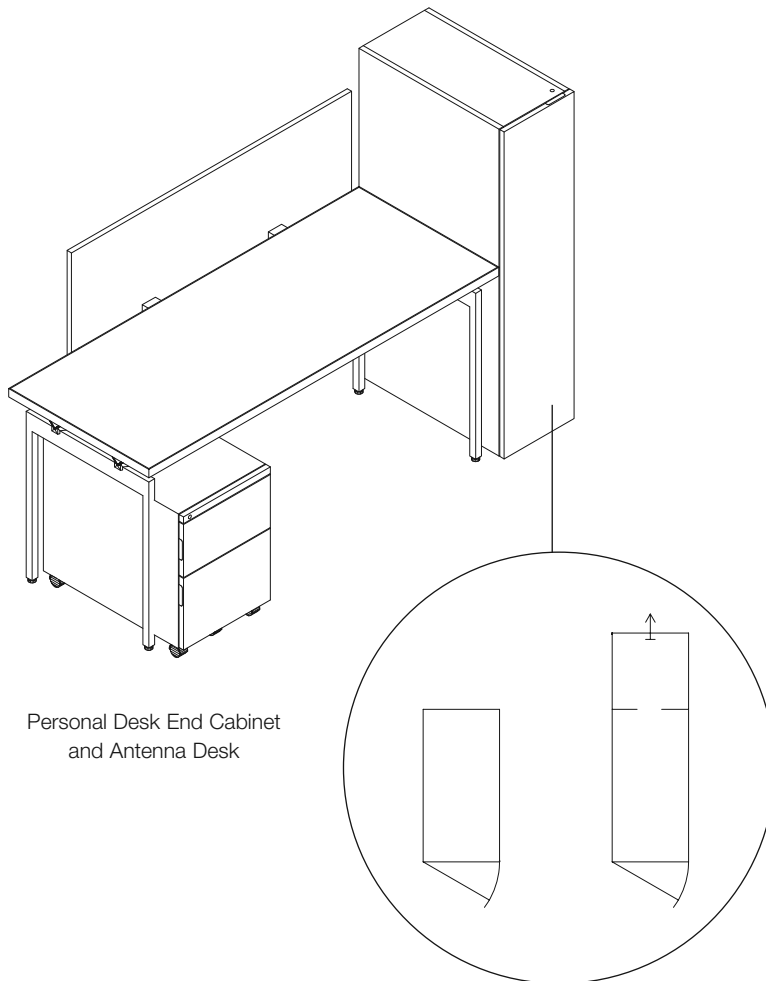
### Specification Options

Specify laminate (L), "mixed" two-tone laminate or laminate case with veneer front (M) or veneer (V) case. Cabinets are available either locking (L) or non-locking (N).

Case finish exterior is available in any Knoll Core laminate or veneer. When case exterior is specified laminate, specify drawer front finish in any Knoll Core laminate (L) or veneer (V).

Specify pull type: Edge (E), Insert (I) or Loop (O). Edge pulls are available in any Knoll Core paint finish, Dark Red, Slate Blue or in Chrome (PD). Loop pulls are available in any Knoll Core paint finish, Dark Red or Slate Blue. Insert pulls are available in Chrome (PD).

Brackets may be specified in any Knoll Core paint finish, Dark Red or Slate Blue.



Personal Desk End Cabinet and Antenna Desk

Personal Desk End Cabinets

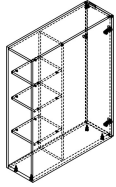


# Floorstanding Personal Desk-End Cabinets

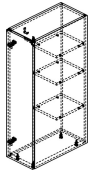
## 49" High, Hinged on Left

Antenna Workspaces

description	type	w	d	h	pattern no.	All Same	Laminate	Laminate	Laminate	All V1 (V)	All V2 (V)	All V3 (V)
						Laminate (L)	Case w/ V1 Fronts (M)	Case w/ V2 Fronts (M)	Case w/ V3 Fronts (M)			
Personal Desk-End Cabinets, Open Front with Shelves and Hinged Door Back (Hinged on Left)	For 24" Deep Desks	12"	24 <sup>7</sup> / <sub>8</sub> "	49"	<b>YSFCDL4924 (JL)</b>	\$2,409.	\$2,650.	\$2,770.	\$2,892.	\$4,141.	\$4,762.	\$6,190.
	For 27" Deep Desks	12"	27 <sup>7</sup> / <sub>8</sub> "	49"	<b>YSFCDL4927 (JL)</b>	2,467.	2,714.	2,837.	2,960.	4,240.	4,877.	6,340.
	For 30" Deep Desks	12"	29 <sup>7</sup> / <sub>8</sub> "	49"	<b>YSFCDL4930 (JL)</b>	2,524.	2,778.	2,903.	3,029.	4,340.	4,992.	6,488.
	For 36" Deep Desks	12"	35 <sup>7</sup> / <sub>8</sub> "	49"	<b>YSFCDL4936 (JL)</b>	2,582.	2,839.	2,969.	3,098.	4,439.	5,106.	6,638.



Personal Desk-End Cabinets, with Hinged Door (Hinged on Left)	For 24" Deep Desks	12"	24 <sup>7</sup> / <sub>8</sub> "	49"	<b>YSFCDEL4924 (JL)</b>	2,498.	2,749.	2,874.	2,999.	4,323.	4,971.	6,463.
--	--------------------	-----	----------------------------------	-----	-------------------------	--------	--------	--------	--------	--------	--------	--------



### Ordering Information

#### Personal Desk-End Cabinets

1. Pattern Number
2. Case/Shelves Finish
3. Door Finish
4. Pull Type
5. Pull Finish
6. Bracket Paint Finish

### Order Code

#### Personal Desk-End Cabinets

*Example:* **YSFCDEL4924LL, 118, 118, E, 118T, 118T**

<b>YSFCDE</b>	Personal Desk-End Cabinets
<b>L</b>	Left Hinged Door
<b>49</b>	Height
<b>24</b>	Depth
<b>L</b>	Laminate
<b>L</b>	Lock
<b>118</b>	Bright White Laminate
<b>118</b>	Bright White Laminate
<b>E</b>	Edge Pull
<b>118T</b>	Bright White Paint
<b>118T</b>	Bright White Paint

### Included With

#### Personal Desk-End Cabinets with Shelves and Door

Hardware  
(3) Adjustable Shelves  
Coat Hooks

#### Personal Desk-End Cabinets with Hinged Door

Hardware  
(3) Adjustable Shelves  
Coat Hook

### Options

#### Personal Desk-End Cabinets

##### Case Finish Options:

(L) = All the same laminate for the exterior case/shelves and door front  
(M) = Laminate exterior case/shelves and veneer door front  
(V) = All the same veneer for the exterior case/shelves and door front

##### Lock Options:

To specify a personal desk-end cabinet without a lock, replace the "L" suffix in the pattern number with an "N".

##### Door Pull Options:

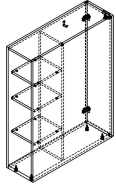
(E) = Edge Pull  
(I) = Insert Pull  
(O) = Loop Pull

See planning guide page for door pull finish options.

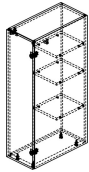
# Floorstanding Personal Desk-End Cabinets

## 49" High, Hinged on Right

description	type	w	d	h	pattern no.	All Same	Laminate	Laminate	Laminate	All V1	All V2	All V3
						Laminate (L)	Case w/ V1 Fronts (M)	Case w/ V2 Fronts (M)	Case w/ V3 Fronts (M)			
Personal Desk-End Cabinets, Open Front with Shelves and Hinged Door Back (Hinged on Right)	For 24" D Desks	12"	24 <sup>7</sup> / <sub>8</sub> "	49"	<b>YSFCDR4924( )L</b>	\$2,409.	\$2,650.	\$2,770.	\$2,892.	\$4,141.	\$4,762.	\$6,190.
	For 27" D Desks	12"	27 <sup>7</sup> / <sub>8</sub> "	49"	<b>YSFCDR4927( )L</b>	2,467.	2,714.	2,837.	2,960.	4,240.	4,877.	6,340.
	For 30" D Desks	12"	29 <sup>7</sup> / <sub>8</sub> "	49"	<b>YSFCDR4930( )L</b>	2,524.	2,778.	2,903.	3,029.	4,340.	4,992.	6,488.
	For 36" D Desks	12"	35 <sup>7</sup> / <sub>8</sub> "	49"	<b>YSFCDR4936( )L</b>	2,582.	2,839.	2,969.	3,098.	4,337.	5,106.	6,638.



Personal Desk-End Cabinets, with Hinged Door (Hinged on Right)	For 24" D Desks	12"	24 <sup>7</sup> / <sub>8</sub> "	49"	<b>YSFCDER4924( )L</b>	2,498.	2,749.	2,874.	2,999.	4,323.	4,971.	6,463.
--	-----------------	-----	----------------------------------	-----	------------------------	--------	--------	--------	--------	--------	--------	--------



### Ordering Information

#### Personal Desk-End Cabinets

1. Pattern Number
2. Case/Shelves Finish
3. Door Finish
4. Pull Type
5. Pull Finish
6. Bracket Paint Finish

### Order Code

#### Personal Desk-End Cabinets

*Example:* **YSFCDEL4924LL, 118, 118, E, 118T, 118T**

<b>YSFCDE</b>	Personal Desk-End Cabinets
<b>L</b>	Left Hinged Door
<b>49</b>	Height
<b>24</b>	Depth
<b>L</b>	Laminate
<b>L</b>	Lock
<b>118</b>	Bright White Laminate
<b>118</b>	Bright White Laminate
<b>E</b>	Edge Pull
<b>118T</b>	Bright White Paint
<b>118T</b>	Bright White Paint

### Included With

#### Personal Desk-End Cabinets with Shelves and Door

Hardware  
(3) Adjustable Shelves  
Coat Hooks

#### Personal Desk-End Cabinets with Hinged Door

Hardware  
(3) Adjustable Shelves  
Coat Hook

### Options

#### Personal Desk-End Cabinets

##### Case Finish Options:

(L) = All the same laminate for the exterior case/shelves and door front  
(M) = Laminate exterior case/shelves and veneer door front  
(V) = All the same veneer for the exterior case/shelves and door front

##### Lock Options:

To specify a personal desk-end cabinet without a lock, replace the "L" suffix in the pattern number with an "N".

##### Door Pull Options:

(E) = Edge Pull  
(I) = Insert Pull  
(O) = Loop Pull

See planning guide page for door pull finish options.

### Shared Desk-End Cabinets

Desk-end cabinets are space-efficient storage designed to provide enclosure at the end of a desk. Shared desk-end cabinets include brackets to secure side of cabinet to adjacent desk for stability.

Shared desk-end cabinets include a center partition dividing the depth of the cabinet, with openings in the front and back.

Open shared end cabinet includes three adjustable shelves on each side of the partition.

Open shared desk-end cabinets are 49"H, 12"W, and available in 24", 27", 30" and 36" depths.

Enclosed shared desk-end cabinets provide shared coat storage, and include a hinged door and a coat hook on each side. Specify shelves for one or both sides separately.

Adjustable shelf sets are available in sets of three, corresponding to the depth of the cabinet.

Enclosed shared desk-end cabinets are 49"H, 12"W, and available in 27", 30" and 36" depths.

Shared desk-end cabinets can be specified in any core laminate or veneer for case, shelves and door.

Enclosed desk-end cabinets can also be specified in laminate with contrasting laminate or veneer doors.

### Construction

Desk-end cabinets are composed of ¾" MDF panels joined in discreet, glue-and-dowel construction.

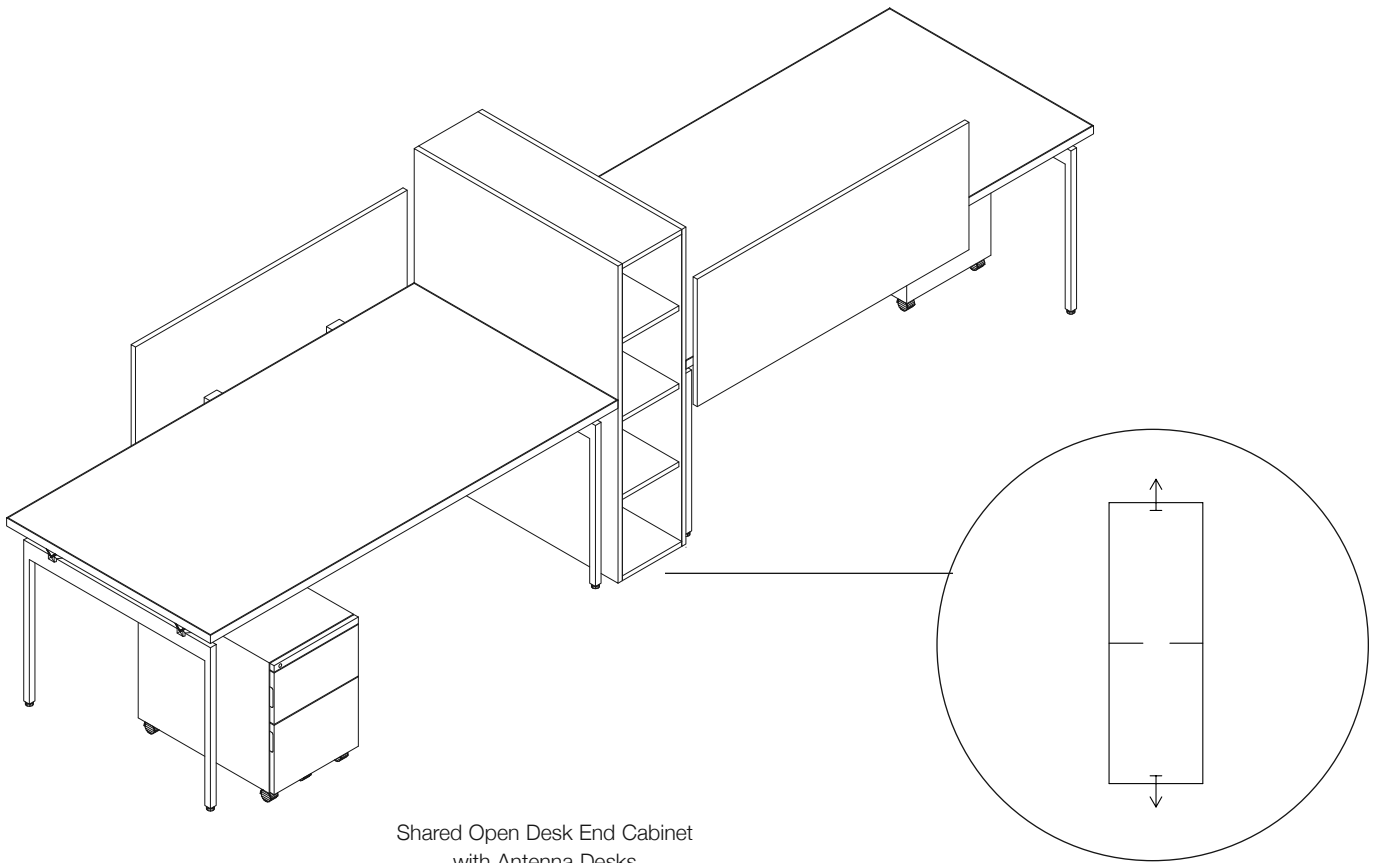
### Specification Options

Specify laminate (L), "mixed" two-tone laminate or laminate case with veneer front (M) or veneer (V) case. Cabinets are available either locking (L) or non-locking (N).

Case finish exterior is available in any Knoll Core laminate or veneer. When case exterior is specified laminate, specify drawer front finish in any Knoll Core laminate (L) or veneer (V).

Specify pull type: Edge (E), Insert (I) or Loop (O). Edge pulls are available in any Knoll Core paint finish, Dark Red, Slate Blue or in Chrome (PD). Loop pulls are available in any Knoll Core paint finish, Dark Red or Slate Blue. Insert pulls are available in Chrome (PD).

Brackets may be specified in any Knoll Core paint finish, Dark Red or Slate Blue.



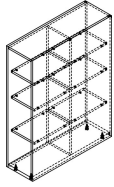
Shared Open Desk End Cabinet  
with Antenna Desks

Shared Desk End Cabinet

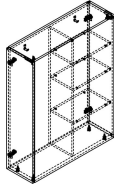
# Floorstanding Shared Desk-End Cabinets

## 49" High

description	type	w	d	h	pattern no.	All Same	Laminate	Laminate	Laminate	All V1	All V2	All V3
						Laminate (L)	Case w/ V1 Fronts (M)	Case w/ V2 Fronts (M)	Case w/ V3 Fronts (M)			
Shared Desk-End Cabinets, Open Front and Back with Shelves	For 24" Deep Desks	12"	24"	49"	<b>YSFCDO4924( )</b>	\$2,123.	n/a	n/a	n/a	\$3,491.	\$4,015.	\$5,220.
	For 27" Deep Desks	12"	27"	49"	<b>YSFCDO4927( )</b>	2,180.	n/a	n/a	n/a	3,591.	4,130.	5,369.
	For 30" Deep Desks	12"	30"	49"	<b>YSFCDO4930( )</b>	2,238.	n/a	n/a	n/a	3,692.	4,246.	5,519.
	For 36" Deep Desks	12"	36"	49"	<b>YSFCDO4936( )</b>	2,295.	n/a	n/a	n/a	3,790.	4,360.	5,667.



Shared Desk-End Cabinets, Enclosed Hinged Door Front and Back	For 27" Deep Desks	12"	28 <sup>7</sup> / <sub>8</sub> "	49"	<b>YSFCDE4927( )L</b>	2,483.	2,731.	2,855.	2,980.	4,096.	4,710.	6,124.
	For 30" Deep Desks	12"	31 <sup>7</sup> / <sub>8</sub> "	49"	<b>YSFCDE4930( )L</b>	2,517.	2,768.	2,896.	3,022.	4,153.	4,777.	6,209.
	For 36" Deep Desks	12"	37 <sup>7</sup> / <sub>8</sub> "	49"	<b>YSFCDE4936( )L</b>	2,604.	2,865.	2,993.	3,124.	4,295.	4,939.	6,422.



Ordering Information	Order Code	Included With	Options
<b>Shared Desk-End Cabinets</b> 1. Pattern Number 2. Case/Shelves Finish 3. Door Finish 4. Pull Type 5. Pull Finish 6. Bracket Paint Finish	<b>Shared Desk-End Cabinets</b> <i>Example:</i> <b>YSFCDE4930LL, 118, 118, E, 118T, 118T</b> <b>YSFCDE</b> Shared Desk-End Cabinets <b>49</b> Height <b>30</b> Depth <b>L</b> Laminate <b>L</b> Lock <b>118</b> Bright White Laminate <b>118</b> Bright White Laminate <b>E</b> Edge Pull <b>118T</b> Bright White Paint <b>118T</b> Bright White Paint	<b>Shared Desk-End Cabinets, Open Front and Back</b> Hardware (6) Adjustable Shelves  <b>Shared Desk-End Cabinets, Enclosed Hinged Door Front and Back</b> Hardware (2) Coat Hooks Shelves for one or both sides are specified separately  <b>Shelves</b> (3) Shelves Hardware	<b>Shared Desk-End Cabinets</b> <b>Case/Shelf Finish Options:</b> (L) = All the same laminate for the exterior case/shelves and door front (M) = Laminate exterior case/shelves and veneer door front (V) = All the same veneer for the exterior case/shelves and door front  <b>Lock Options:</b> To specify a shared desk-end cabinet without a lock, replace the "L" suffix in the pattern number with an "N".  <b>Door Pull Options:</b> (E) = Edge Pull (I) = Insert Pull (O) = Loop Pull

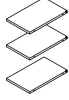
See planning guide page for door pull finish options.

# Floorstanding Desk-End Cabinet Accessories

## *Adjustable Shelf Set and Coat Hook*

Antenna Workspaces

description	type	w	d	h	pattern no.	list	All Same	Laminate	Laminate	Laminate	All V1	All V2	All V3
							Laminate	Case w/	Case w/	Case w/			
							(L)	V1 Fronts	V2 Fronts	V3 Fronts	(V)	(V)	(V)
Adjustable Shelf Set for Shared Desk-End Cabinets, Enclosed Hinged Door Front and Back	For 27" Deep Desks	10"	12 1/2"	3/4"	<b>YSFCDASK27()</b>	n/a	\$467.	n/a	n/a	n/a	\$909.	\$1,044.	\$1,359.
	For 30" Deep Desks	10"	13"	3/4"	<b>YSFCDASK30()</b>	n/a	472.	n/a	n/a	n/a	914.	1,051.	1,366.
	For 36" Deep Desks	10"	16"	3/4"	<b>YSFCDASK36()</b>	n/a	482.	n/a	n/a	n/a	932.	1,071.	1,393.



Coat hook					<b>YSCH</b>	23.	n/a	n/a	n/a	n/a	n/a	n/a	n/a
-----------	--	--	--	--	-------------	-----	-----	-----	-----	-----	-----	-----	-----



Ordering Information	Order Code	Included With	Options
<b>Shelves</b>	<b>Shelves</b>	<b>Shelves</b>	<b>Shelves</b>
1. Pattern Number	<i>Example:</i> <b>YSFCDASK30L, 118</b>	(3) Shelves	<b>Coat Hook</b>
2. Surface Finish	<b>YSFCDA</b> Shelves	Hardware	
<b>Coat Hook</b>	<b>SK</b>	<b>Coat Hook</b>	
1. Pattern Number	<b>30</b> Depth	Hardware	
	<b>L</b> Laminate		
	<b>118</b> Bright White Laminate		
	<b>Coat Hook</b>		
	<i>Example:</i> <b>YSCH</b>		
	<b>YSCH</b> Coat Hook		

### Floorstanding L cabinets

L cabinets are unique L-shape storage designed to provide definition and privacy for the individual workspace. L cabinets are freestanding.

L cabinets are 49"H, 24"W x 24"D, overall with a 12" wide, 12"D surround for shelves opening to the inside of the L, and a 12"W, 24"D coat storage area with a coat bar and door.

L cabinets can be specified in any core laminate or veneer for case, shelves and door.

L cabinets can also be specified in laminate with contrasting laminate or veneer doors.

Cabinets with wardrobe and door hinge on left are considered left handed; those with wardrobe and door hinge on right are considered right handed.

### Wardrobes

Wardrobes are available for personal coat storage within a workspace. Single door 18" wide wardrobes come with a coat hook and 36" wide double door units come with a coat rod. Wardrobes are 19" deep and 67" high. Wardrobes can be specified in any core laminate or veneer for case, shelves and door. Wardrobes can also be specified in laminate with contrasting laminate or veneer doors. 36" wide wardrobes open using a touch latch.

### Construction

Floorstanding L cabinets and wardrobes cabinets are composed of ¾" MDF panels joined in discreet, glue-and-dowel construction.

Doors open 135 degrees for easy access.

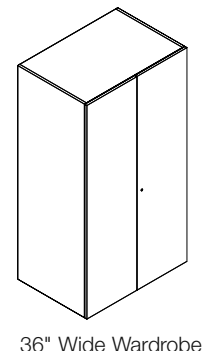
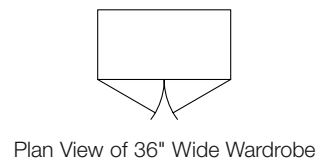
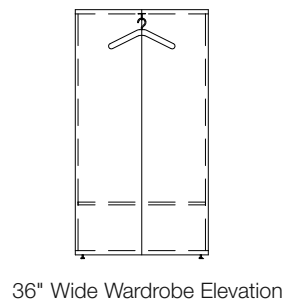
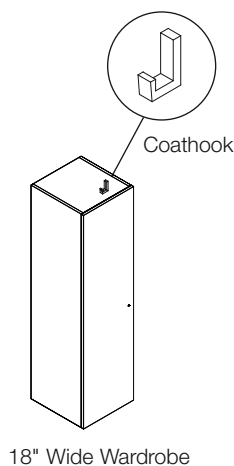
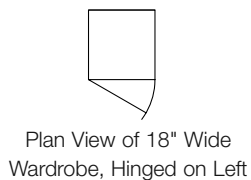
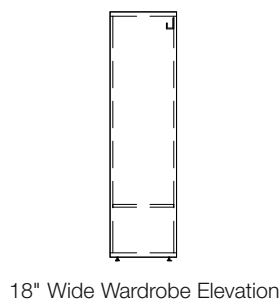
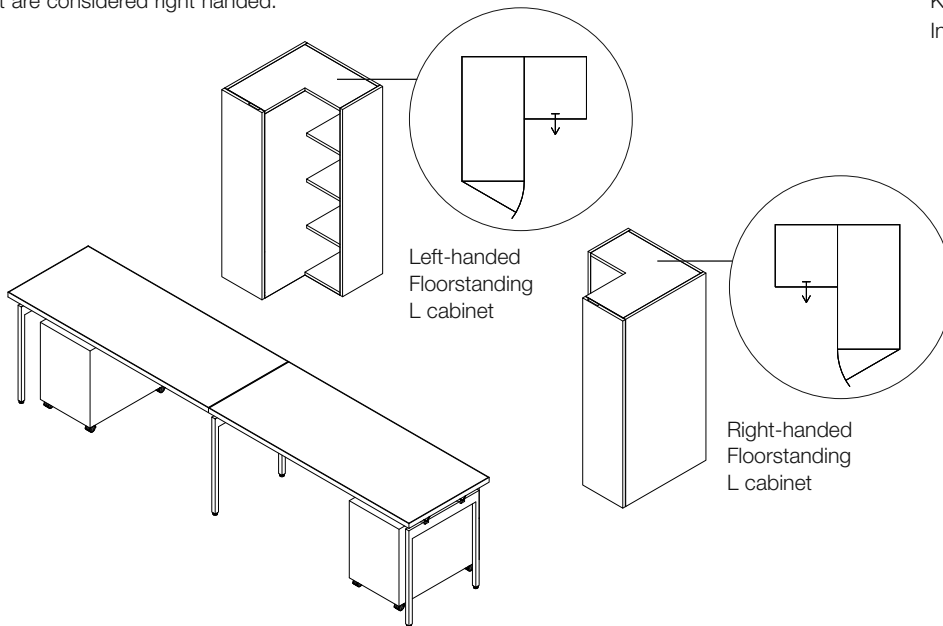
Cabinets include levelers with 1 ½" travel.

### Specification Options

Specify laminate (L), "mixed" two-tone laminate or laminate case with veneer front (M) or veneer (V) case. Cabinets are available either locking (L) or non-locking (N).

Case finish exterior is available in any Knoll Core laminate or veneer. When case exterior is specified laminate, specify drawer front finish in any Knoll Core laminate (L) or veneer (V).

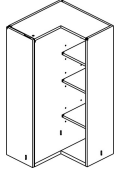
Specify pull type: Edge (E), Insert (I) or Loop (O). Edge pulls are available in any Knoll Core paint finish, Dark Red, Slate Blue or in Chrome (PD). Loop pulls are available in any Knoll Core paint finish, Dark Red or Slate Blue. Insert pulls are available in Chrome (PD).



# Floorstanding L and Wardrobe Cabinets

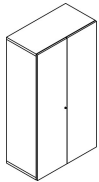
## 49" and 67" High

description	type	w	d	h	pattern no.	All Same	Laminate	Laminate	Laminate	All V1	All V2	All V3
						Laminate (L)	Case w/ V1 Fronts (M)	Case w/ V2 Fronts (M)	Case w/ V3 Fronts (M)			
L Cabinet	Door on Left	12"	23 <sup>3</sup> / <sub>4</sub> "	49"	<b>YSFCWL4924( )L</b>	\$3,156.	\$3,472.	\$3,630.	\$3,786.	\$5,593.	\$6,432.	\$8,362.
	Door on Right	12"	23 <sup>3</sup> / <sub>4</sub> "	49"	<b>YSFCWR4924( )L</b>	3,156.	3,472.	3,630.	3,786.	5,593.	6,432.	8,362.

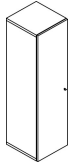


(Left Shown)

36" Wide Wardrobe	Double Doors	36"	18 <sup>7</sup> / <sub>8</sub> "	67"	<b>YSFCWD6736( )L</b>	2,869.	3,156.	3,298.	3,443.	4,789.	5,507.	7,159.
-------------------	--------------	-----	----------------------------------	-----	-----------------------	--------	--------	--------	--------	--------	--------	--------



18" Wide Wardrobe	Hinged on Left	18"	18 <sup>7</sup> / <sub>8</sub> "	67"	<b>YSFCWL6718( )L</b>	2,238.	2,460.	2,574.	2,686.	3,591.	4,130.	5,369.
	Hinged on Right	18"	18 <sup>7</sup> / <sub>8</sub> "	67"	<b>YSFCWR6718( )L</b>	2,238.	2,460.	2,574.	2,686.	3,591.	4,130.	5,369.



### Ordering Information

#### L Cabinets

1. Pattern Number
2. Case/Shelves Finish
3. Door Finish
4. Pull Type
5. Pull Finish

#### Wardrobes

1. Pattern Number
2. Case Finish
3. Door Finish
4. Pull Type
5. Pull Finish

### Order Code

#### L Cabinets

*Example:* YSFCWL4924LL, 118, 118, E, 118T

<b>YSFCW</b>	L Cabinets
<b>L</b>	Door on Left
<b>49</b>	Height
<b>24</b>	Depth
<b>L</b>	Laminate
<b>L</b>	Lock
<b>118</b>	Bright White Laminate
<b>118</b>	Bright White Laminate
<b>E</b>	Edge Pull
<b>118T</b>	Bright White Paint

### Included With

#### L Cabinets

Coat bar

#### 18" Wide Wardrobes

Coat Hook

#### 36" Wide Wardrobes

Coat Rod

### Options

#### L Cabinets and Wardrobes

##### Finish Options:

(L) = All the same laminate for the exterior case/shelves and door front  
 (M) = Laminate exterior case/shelves and veneer door front  
 (V) = All the same veneer for the exterior case/shelves and door front

##### Lock Options:

To specify an L cabinet without a lock, replace the "L" suffix in the pattern number with an "N".

##### Door Pull Options:

(E) = Edge Pull  
 (I) = Insert Pull  
 (O) = Loop Pull

See planning guide page for door pull finish options.

# Floorstanding File Cabinets

## Planning Guidelines and Specifications

File cabinets provide filing space for individual or group workspaces. Finished on all sides, file cabinets are freestanding and are applicable in private offices, as credenza storage or along a storage wall.

File cabinets are 36" wide, 19" deep and available in six horizons to align with other floorstanding cabinets and critical Antenna heights:

- 25"H cabinet, with 6"H shelf or personal drawer over one file, aligns with Antenna desk legs and can support one end of an Antenna desk.
- 28"H cabinet, with 12"H shelf or file drawer over one file drawer, aligns with Antenna desk height.
- 42"H cabinet, with 12"H shelf over two files, aligns with Antenna screens to 42"H horizon.
- 49"H cabinet, with 6" and 12"H shelves over two files, aligns with screens to 49"H horizon.

- 56"H cabinet, with two 12"H shelves over two files.
- 67"H cabinet, with one 11 1/2"H and two 12"H shelves, which can align with an open or enclosed cabinet, wall mounted 24" above desk height.

Desk support adapters must be specified separately for desk support applications. Counterweight/ballast kits should be specified for file cabinets in applications that are not connected to a desk or other storage cabinets.

The upper shelf in 49" and 56"H cabinets and the two upper shelves in 67"H cabinets can be adjusted in height. File drawers are sized for side-to-side, suspended letter-depth or legal-depth file folders.

### Construction

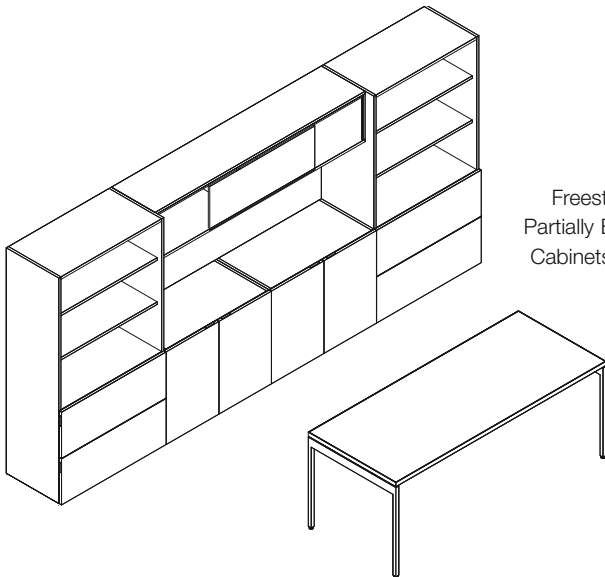
Floorstanding cabinets are composed of 3/4" MDF panels joined in discreet, glue-and-dowel construction, with a 1-1/4"H base for stability.

Floorstanding cabinets include levelers with 1-1/2" travel.

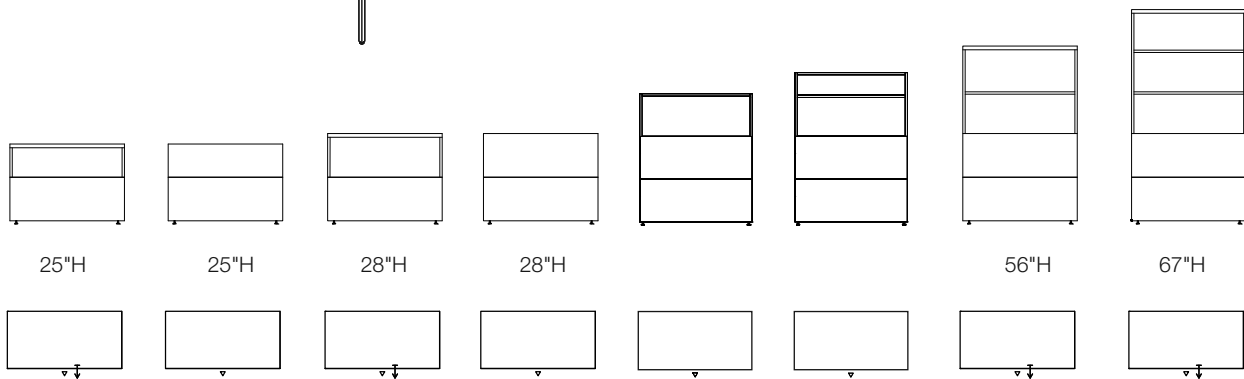
Drawer bodies are black painted steel construction, 33"W x 16"D, with full extension, ball bearing drawer slides. Each drawer also includes a side-to-side letter filing support, 33"W, and two front-to-back supports for letter or legal-width suspended filing.

### Specification Options

Specify laminate (L), "mixed" twotone laminate or laminate case with veneer front (M) or veneer (V) case. File cabinets are always locking. Case finish exterior is available in any Knoll Core laminate or veneer. When case exterior is specified in laminate, specify drawer front finish in any Knoll Core laminate (L) or veneer (V). Specify pull type: Edge (E), Insert (I) or Loop (O). Edge pulls are available in any Knoll Core paint finish, Dark Red, Slate Blue or in Chrome (PD). Loop pulls are available in any Knoll Core paint finish, Dark Red or Slate Blue. Insert pulls are available in Chrome (PD).



Freestanding Private Office with Partially Enclosed Cabinets, Enclosed Cabinets and Wall Mounted Cabinet



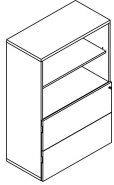
File Cabinet Heights



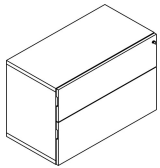
# Floorstanding File Cabinets

## 25", 28", 42", 49", 56" and 67" High

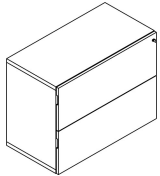
description	w	d	h	pattern no.	list	All Same	Laminate	Laminate	Laminate	All V1	All V2	All V3
						Laminate (L)	Case w/ V1 Fronts (M)	Case w/ V2 Fronts (M)	Case w/ V3 Fronts (M)			
Partially Enclosed Shelf Cabinets with Open Shelves Above and Drawers Below (56" high shown)	36"	18 <sup>7</sup> / <sub>8</sub> "	42"	<b>YSFCOFF4236( )L</b>	\$0.	\$3,156.	\$3,541.	\$3,630.	\$3,786.	\$4,785.	\$5,393.	\$7,010.
	36"	18 <sup>7</sup> / <sub>8</sub> "	49"	<b>YSFCOFF4936( )L</b>	0.	3,327.	3,733.	3,826.	3,992.	5,088.	5,737.	7,458.
	36"	18 <sup>7</sup> / <sub>8</sub> "	56"	<b>YSFCOFF5636( )L</b>	0.	3,499.	3,927.	4,025.	4,200.	5,393.	6,081.	7,906.
	36"	18 <sup>7</sup> / <sub>8</sub> "	67"	<b>YSFCOFF6736( )L</b>	0.	3,672.	4,119.	4,222.	4,405.	5,699.	6,425.	8,353.



Enclosed Box/File Cabinet	36"	18 <sup>7</sup> / <sub>8</sub> "	25"	<b>YSFCBF2536( )L</b>	0.	2,582.	2,896.	2,969.	3,098.	3,866.	4,360.	5,667.
---------------------------	-----	----------------------------------	-----	-----------------------	----	--------	--------	--------	--------	--------	--------	--------



Enclosed File/File Cabinet	36"	18 <sup>7</sup> / <sub>8</sub> "	28"	<b>YSFCFF2836( )L</b>	0.	2,638.	2,961.	3,034.	3,166.	3,969.	4,475.	5,817.
----------------------------	-----	----------------------------------	-----	-----------------------	----	--------	--------	--------	--------	--------	--------	--------

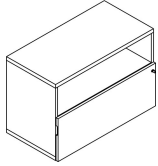


Ordering Information	Order Code	Included With	Options
<b>Floorstanding File Cabinets</b>	<b>Floorstanding File Cabinets</b>	<b>Floorstanding File Cabinets</b>	<b>Floorstanding File Cabinets</b>
1. Pattern Number	<i>Example:</i> YSFCFF2836LL, 118, 118, E, 118T	Levelling glides	<b>Finish Options:</b>
2. Case Finish		File bars	(L) = All the same laminate for the exterior case/shelves and door front
3. Door Finish	<b>YSFCFF</b> Enclosed File Cabinets		(M) = Laminate exterior case/shelves and veneer door front
4. Pull Type	<b>28</b> Height		(V) = All the same veneer for the exterior case/shelves and door front
5. Pull Finish	<b>36</b> Width		<b>Lock Options:</b>
	<b>L</b> Laminate		To specify an enclosed shelf cabinet without a lock, replace the "L" suffix in the pattern number with an "N".
	<b>L</b> Lock		<b>Door Pull Options:</b>
	<b>118</b> Bright White Laminate		(E) = Edge Pull
	<b>118</b> Bright White Laminate		(I) = Insert Pull
	<b>E</b> Edge Pull		(O) = Loop Pull
	<b>118T</b> Bright White Paint		See planning guide page for door pull finish options.

# Floorstanding File Cabinets

## 25", 28", 42", 49", 56" and 67" High

description	w	d	h	pattern no.	list	All Same	Laminate	Laminate	Laminate	All V1	All V2	All V3
						Laminate (L)	Case w/ V1 Fronts (M)	Case w/ V2 Fronts (M)	Case w/ V3 Fronts (M)			
Partially Enclosed File Cabinet (25" high shown)	36"	18 <sup>7</sup> / <sub>8</sub> "	25"	<b>YSFCOF2536( )L</b>	\$0.	\$2,409.	\$2,703.	\$2,770.	\$2,892.	\$3,561.	\$4,015.	\$5,220.
	36"	18 <sup>7</sup> / <sub>8</sub> "	28"	<b>YSFCOF2836( )L</b>	0.	2,467.	2,769.	2,837.	2,960.	3,662.	4,130.	5,369.



File Cabinet		<b>YSFWB36</b>	385.	0.	0.	0.	0.	0.	0.	0.	0.
Ballast/Counterweight											

Ordering Information	Order Code	Included With	Options
<b>Floorstanding File Cabinets</b> 1. Pattern Number 2. Case Finish 3. Door Finish 4. Pull Type 5. Pull Finish	<b>Floorstanding File Cabinets</b> <i>Example:</i> YSFCFF2836LL, 118, 118, E, 118T <hr/> <b>YSFCFF</b> Enclosed File Cabinets <hr/> <b>28</b> Height <hr/> <b>36</b> Width <hr/> <b>L</b> Laminate <hr/> <b>L</b> Lock <hr/> <b>118</b> Bright White Laminate <hr/> <b>118</b> Bright White Laminate <hr/> <b>E</b> Edge Pull <hr/> <b>118T</b> Bright White Paint	<b>Floorstanding File Cabinets</b> Levelling glides File bars	<b>Floorstanding File Cabinets</b> <b>Finish Options:</b> (L) = All the same laminate for the exterior case/shelves and door front (M) = Laminate exterior case/shelves and veneer door front (V) = All the same veneer for the exterior case/shelves and door front <b>Lock Options:</b> To specify an enclosed shelf cabinet without a lock, replace the "L" suffix in the pattern number with an "N". <b>Door Pull Options:</b> (E) = Edge Pull (I) = Insert Pull (O) = Loop Pull See planning guide page for door pull finish options.

# Floorstanding Enclosed Shelf Cabinets

## Planning Guidelines and Specifications

### Enclosed Shelf Cabinets

Floorstanding shelf cabinets are designed to provide space definition and privacy for group workspaces. Shelf cabinets are finished on all sides.

Shelf cabinets are freestanding and applicable in private offices as credenza or storage wall.

Each shelf cabinet is 36" wide and 18" deep overall, and available in 25", 28", 42", 49" and 56" horizons.

All cabinets have two full-height doors. 56"H floorstanding cabinet units are also available with four doors, split at the center to align with adjacent 28"H cabinets or desk height.

25" and 28" high cabinets are also available with a partially open back for wire management access through the back of the cabinet.

A 6" opening starts 12" above the ground providing access above and below the shelf.

### Construction

Floorstanding cabinets are composed of ¾" MDF panels joined in discreet, glue-and-dowel construction, with a 1 ¼"H base for stability.

Hinged doors open 135 degrees for easy access.

Floorstanding cabinets include levelers with 1 ½" travel.

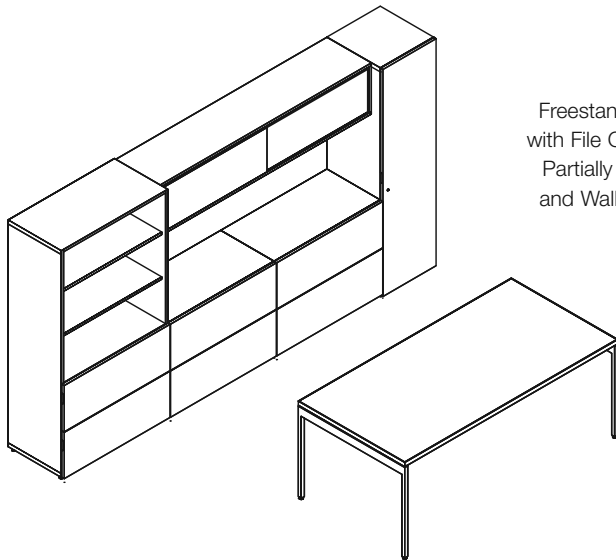
### Specification Options

Shelf cabinets can be specified in any core laminate or veneer for case, shelves and doors. Shelf cabinets can also be specified in laminate with contrasting laminate or veneer doors.

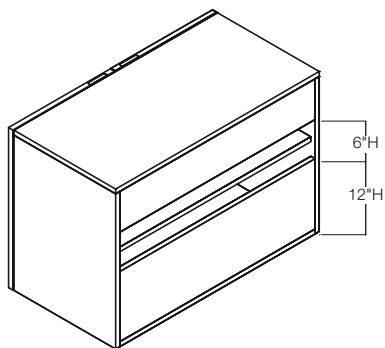
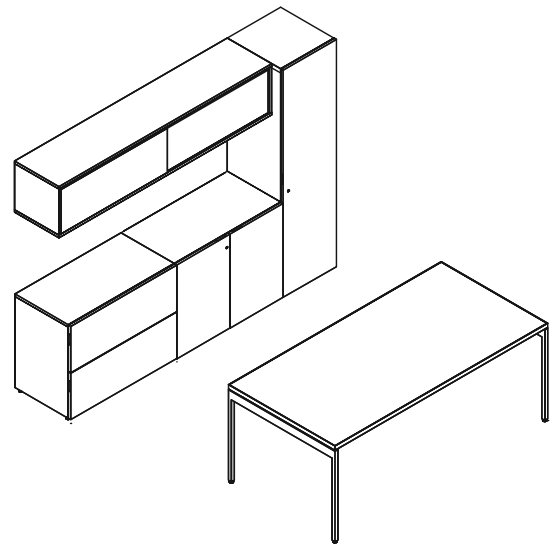
Specify laminate (L), "mixed" two-tone laminate or laminate case with veneer front (M) or veneer (V) case. Cabinets are available either locking (L) or non-locking (N).

Case finish exterior is available in any Knoll Core laminate or veneer. When case exterior is specified laminate, specify drawer front finish in any Knoll Core laminate (L) or veneer (V).

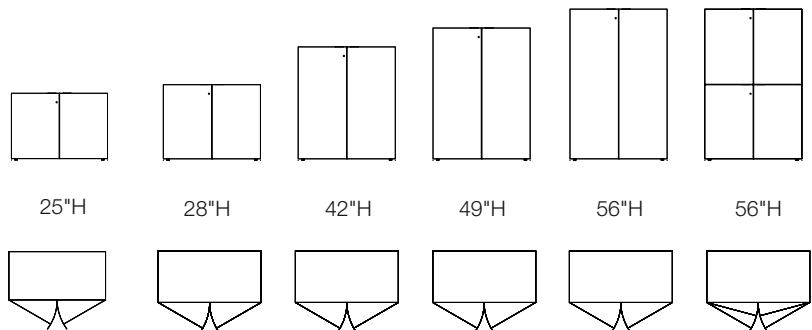
Specify pull type: Edge (E), Insert (I) or Loop (O). Edge pulls are available in any Knoll Core paint finish, Dark Red, Slate Blue or in Chrome (PD). Loop pulls are available in any Knoll Core paint finish, Dark Red or Slate Blue. Insert pulls are available in Chrome (PD).



Freestanding Private Office with File Cabinets, Wardrobe, Partially Enclosed Cabinet and Wall Mounted Cabinet



25" High Enclosed Shelf Cabinet with Hinged Doors, Partially Open Back

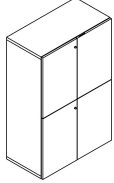


Enclosed Shelf and File Cabinet Heights

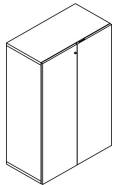
# Floorstanding Enclosed Shelf Cabinets

## 25", 28", 42", 49" and 56" High

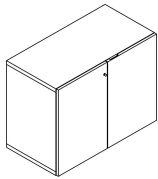
description	w	d	h	pattern no.	list	All Same	Laminate	Laminate	Laminate	All V1	All V2	All V3
						Laminate (L)	Case w/ V1 Fronts (M)	Case w/ V2 Fronts (M)	Case w/ V3 Fronts (M)			
Enclosed Shelf Cabinet with Four Doors	36"	18 7/8"	56"	<b>YSFC4D5636( )L</b>	n/a	\$3,443.	\$3,862.	\$3,960.	\$4,130.	\$6,207.	\$6,999.	\$9,098.



Enclosed Shelf Cabinets with Two Doors (56" high shown)	36"	18 7/8"	25"	<b>YSFC2D2536( )L</b>	n/a	2,065.	2,271.	2,375.	2,478.	3,692.	4,246.	5,519.
	36"	18 7/8"	28"	<b>YSFC2D2836( )L</b>	n/a	2,123.	2,335.	2,443.	2,547.	3,790.	4,360.	5,667.
	36"	18 7/8"	42"	<b>YSFC2D4236( )L</b>	n/a	2,409.	2,650.	2,770.	2,892.	4,390.	5,049.	6,564.
	36"	18 7/8"	49"	<b>YSFC2D4936( )L</b>	n/a	2,812.	3,092.	3,234.	3,372.	5,088.	5,852.	7,607.
	36"	18 7/8"	56"	<b>YSFC2D5636( )L</b>	n/a	3,098.	3,407.	3,563.	3,718.	5,587.	6,425.	8,353.



Enclosed Shelf Cabinets with Two Doors and Partially Open Back (28" high shown)	36"	18 7/8"	25"	<b>YSFC2D02536( )</b>	n/a	2,065.	2,271.	2,375.	2,478.	3,692.	4,246.	5,519.
	36"	18 7/8"	28"	<b>YSFC2D02836( )</b>	n/a	2,123.	2,335.	2,443.	2,547.	3,790.	4,360.	5,667.



Ordering Information	Order Code	Included With	Options
<b>Enclosed Shelf Cabinets</b>	<b>Enclosed Shelf Cabinets</b>	<b>Enclosed Shelf Cabinets</b>	<b>Enclosed Shelf Cabinets</b>
1. Pattern Number	<i>Example:</i> YSFC2D4936LL, 118,	Shelves	<b>Finish Options:</b>
2. Case/Shelves Finish	118, 118, E, 118T	Levelling glides	(L) = All the same laminate for the exterior case/shelves and door front
3. Door Finish	<b>YSFC</b> Enclosed Shelf Cabinets		(M) = Laminate exterior case/shelves and veneer door front
4. Pull Type	<b>2D</b> Two Doors		(V) = All the same veneer for the exterior case/shelves and door front
5. Pull Finish	<b>49</b> Height		<b>Lock Options:</b>
	<b>36</b> Width		To specify an enclosed shelf cabinet without a lock, replace the "L" suffix in the pattern number with an "N".
	<b>L</b> Laminate		<b>Door Pull Options:</b>
	<b>L</b> Lock		(E) = Edge Pull
	<b>118</b> Bright White Laminate		(I) = Insert Pull
	<b>118</b> Bright White Laminate		(O) = Loop Pull
	<b>E</b> Edge Pull		See planning guide page for door pull finish options.
	<b>118T</b> Bright White Paint		

### Partially Enclosed Cabinets

Partially enclosed cabinets are designed for storage and space definition in open plan workspaces, and can also serve as credenza or work wall in private offices and conference rooms. Partially enclosed cabinets combine partial and full 12 <sup>3</sup>/<sub>8</sub>"H binder height shelf storage with files or shelves with doors. Floorstanding cabinets are freestanding and finished on all sides.

Partially enclosed cabinets with doors are 36" wide, 19" deep and 56" high. Doors may be specified to cover the top half of the cabinet, with two open fixed binder height shelves below, or cover the bottom half of the cabinet with two fixed height open shelves above.

The upper shelf in 49"H and 56"H cabinets and the two upper shelves in 67"H cabinet can be adjusted in height.

### Construction

Floorstanding cabinets are composed of <sup>3</sup>/<sub>4</sub>" MDF panels joined in discreet, glue-and-dowel construction, with a 1 <sup>1</sup>/<sub>4</sub>"H base for stability. Floorstanding cabinets with file drawers are equipped with an interlock for stability. Hinged doors open 135 degrees for easy access. Floorstanding cabinets include levelers with 1 <sup>1</sup>/<sub>2</sub>" travel.

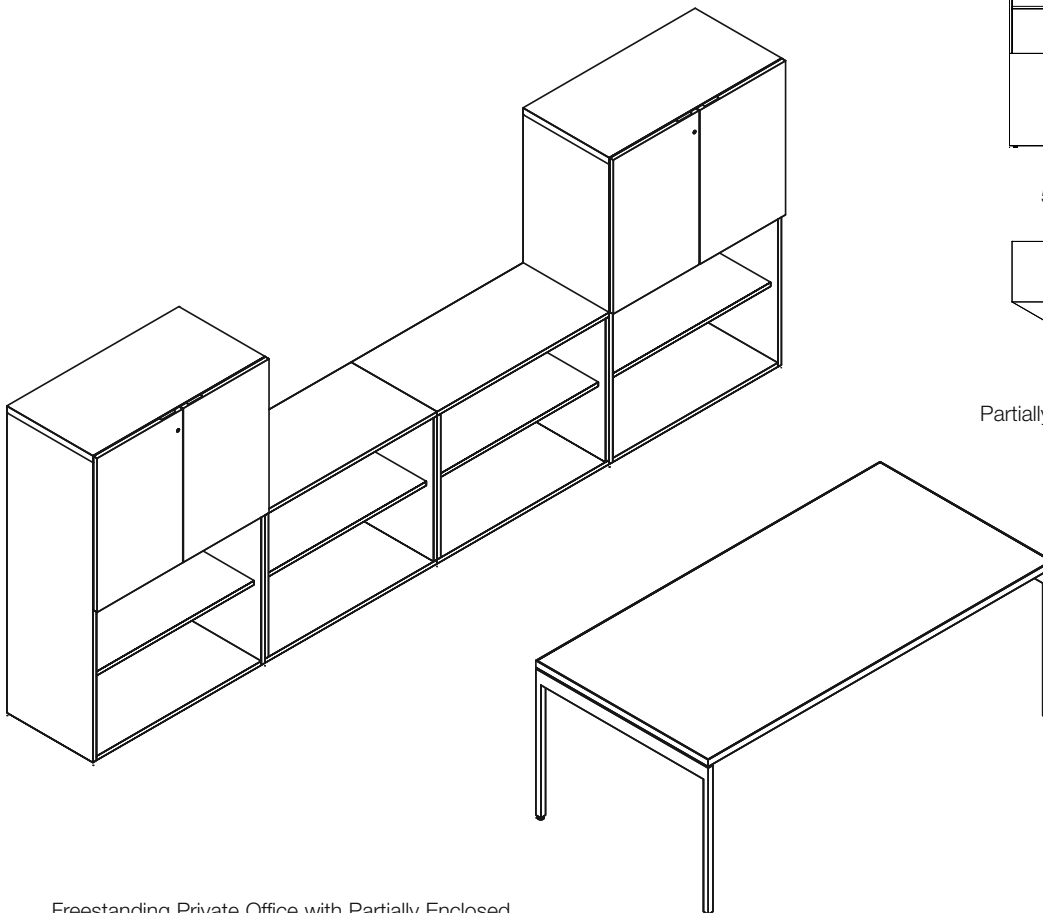
### Specification Options

Specify laminate (L), "mixed" two-tone laminate or laminate case with veneer front (M) or veneer (V) case. Cabinets are available either locking (L) or non-locking (N).

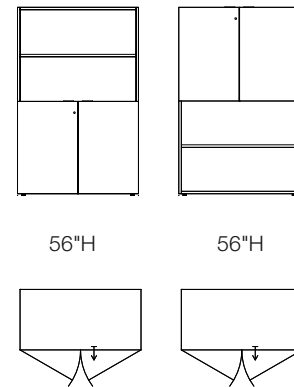
Case finish exterior is available in any Knoll Core laminate or veneer. When case exterior is specified laminate, specify drawer front finish

in any Knoll Core laminate (L) or veneer (V).

Specify pull type: Edge (E), Insert (I) or Loop (O). Edge pulls are available in any Knoll Core paint finish, Dark Red, Slate Blue or in Chrome (PD). Loop pulls are available in any Knoll Core paint finish, Dark Red or Slate Blue. Insert pulls are available in Chrome (PD).



Freestanding Private Office with Partially Enclosed Shelf Cabinets and Open Shelf Cabinets



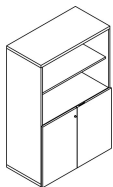
Partially Enclosed Shelf Cabinet Heights

# Floorstanding Partially Enclosed Shelf Cabinets

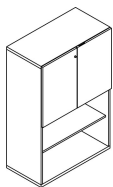
## 42", 49", 56" and 67" High

Antenna Workspaces

description	w	d	h	pattern no.	All Same	Laminate	Laminate	Laminate	All V1	All V2	All V3
					Laminate	Case w/	Case w/	Case w/			
					(L)	V1 Fronts	V2 Fronts	V3 Fronts	(V)	(V)	(V)
Partially Enclosed Shelf Cabinet with Open Shelves Above and Enclosed Shelves Below	36"	18 <sup>7</sup> / <sub>8</sub> "	56"	<b>YSFC02D5636( )L</b>	\$2,983.	\$3,281.	\$3,431.	\$3,580.	\$5,266.	\$6,057.	\$7,874.



Partially Enclosed Shelf Cabinet with Enclosed Shelves Above and Open Shelves Below	36"	18 <sup>7</sup> / <sub>8</sub> "	56"	<b>YSFC2D05636( )L</b>	2,983.	3,281.	3,431.	3,580.	5,266.	6,057.	7,874.
---	-----	----------------------------------	-----	------------------------	--------	--------	--------	--------	--------	--------	--------



### Ordering Information

#### Partially Enclosed Shelf Cabinets

1. Pattern Number
2. Case/Shelves Finish
3. Door Finish
4. Pull Type
5. Pull Finish

### Order Code

#### Partially Enclosed Shelf Cabinets

*Example:* YSFC2D4936LL, 118, 118, 118, E, 118T

<b>YSFC</b>	Enclosed Shelf Cabinets
<b>2D</b>	Two Doors
<b>49</b>	Height
<b>36</b>	Width
<b>L</b>	Laminate
<b>L</b>	Lock
<b>118</b>	Bright White Laminate
<b>118</b>	Bright White Laminate
<b>E</b>	Edge Pull
<b>118T</b>	Bright White Paint

### Included With

#### Partially Enclosed Shelf Cabinets Shelves

Levelling glides

#### Partially Enclosed Shelf Cabinet with Drawers

Levelling glides  
Filing bars

### Options

#### Partially Enclosed Shelf Cabinets

##### Finish Options:

(L) = All the same laminate for the exterior case/shelves and door fronts  
(M) = Laminate exterior case/shelves and veneer door fronts  
(V) = All the same veneer for the exterior case/shelves and door fronts

##### Lock Options:

To specify a partially enclosed shelf cabinet without a lock, replace the "L" suffix in the pattern number with an "N".

##### Door Pull Options:

(E) = Edge Pull  
(I) = Insert Pull  
(O) = Loop Pull

See planning guide page for door pull finish options.

# Floorstanding Open Shelf Cabinets

## Planning Guidelines and Specifications

### Open Shelf Cabinets

Floorstanding shelf cabinets are designed to provide space definition and privacy for group workspaces. Shelf cabinets are finished on all sides.

Shelf cabinets are freestanding and applicable in private offices as credenza or storage wall.

Each shelf cabinet is 36" wide and 18" deep overall, and available in 25", 28", 42", 49" and 56" horizons.

25" and 28" high cabinets are also available with a partially open back for wire management access through the back of the cabinet.

A 6" opening starts 12" above the ground providing access above and below the shelf.

Open shelf cabinets have fixed height shelves.

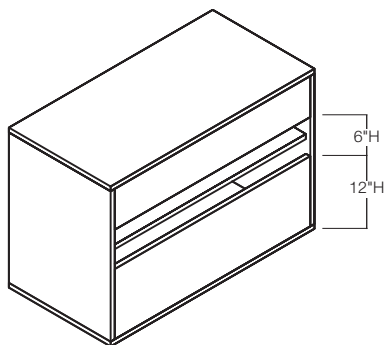
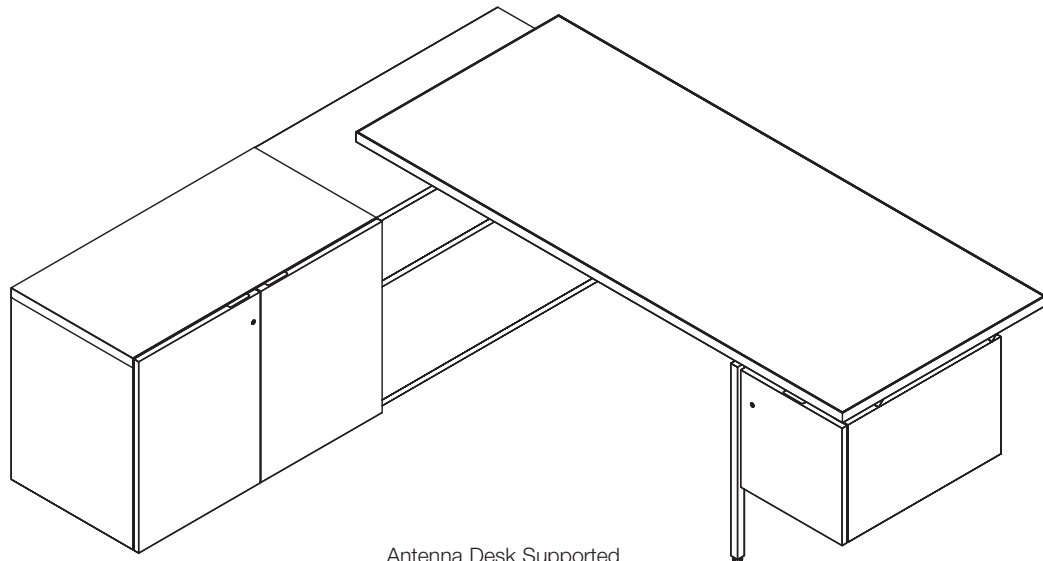
### Construction

Floorstanding cabinets are composed of ¾" MDF panels joined in discreet, glue-and-dowel construction, with a 1 ¼"H base for stability.

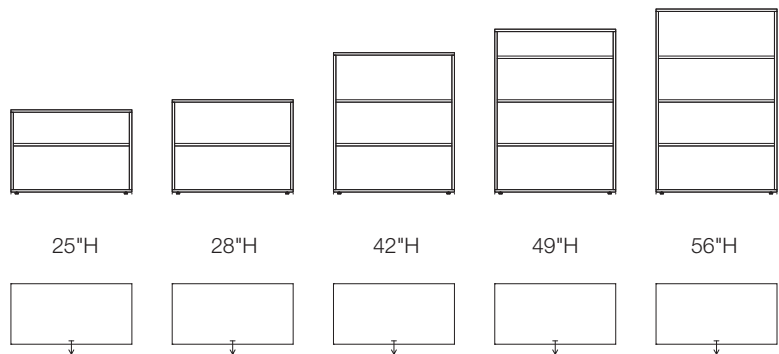
Floorstanding cabinets include levelers with 1 ½" travel.

### Specification Options

Specify laminate (L) or veneer (V) case. Case finish is available in any Knoll Core laminate or veneer. When a laminate case is specified, shelves may be specified in any Knoll Core laminate (L) or veneer (V).



25" High Open Shelf Cabinet, Partially Open Back

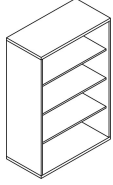


Open Shelf Cabinet Configurations

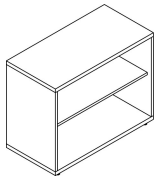
# Floorstanding Open Shelf Cabinets

## 25", 28", 42", 49" and 56" High

description	w	d	h	pattern no.	Laminate (L)	V1 (V)	V2 (V)	V3 (V)
Open Shelf Cabinets (56" high shown)	36"	18"	25"	<b>YSFCOS2536( )</b>	\$1,606.	\$2,754.	\$3,166.	\$4,119.
	36"	18"	28"	<b>YSFCOS2836( )</b>	1,665.	2,869.	3,298.	4,292.
	36"	18"	42"	<b>YSFCOS4236( )</b>	1,951.	3,327.	3,872.	4,973.
	36"	18"	49"	<b>YSFCOS4936( )</b>	2,065.	3,672.	4,222.	5,490.
	36"	18"	56"	<b>YSFCOS5636( )</b>	2,180.	3,901.	4,485.	5,835.



Open Shelf Cabinets with Partially Open Back (28" high shown)	36"	18"	25"	<b>YSFCOSO2536( )</b>	1,606.	2,754.	3,166.	4,119.
	36"	18"	28"	<b>YSFCOSO2836( )</b>	1,665.	2,869.	3,298.	4,292.



### Ordering Information

#### Open Shelf Cabinets

1. Pattern Number
2. Case Finish
3. Shelf Finish (Laminate Only)

### Order Code

#### Open Shelf Cabinets

*Example:* YSFCOS4936L, 118, 118

<b>YSFCOS</b>	Open Shelf Cabinets
<b>49</b>	Height
<b>36</b>	Width
<b>L</b>	Laminate
<b>118</b>	Bright White Laminate
<b>118</b>	Bright White Laminate

### Included With

**Open Shelf Cabinets**  
Fixed height shelves  
Levelling glides

### Options

#### Open Shelf Cabinets

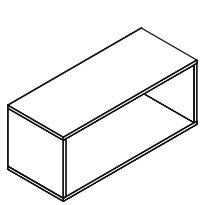
**Finish Options:**  
(L) = Laminate  
(V) = Veneer



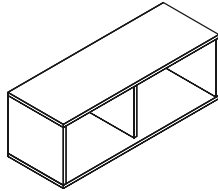
---

**Wood Cabinets**

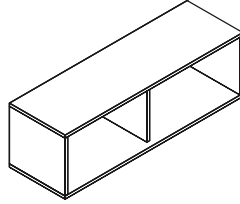
**Open Shelf Cabinets**



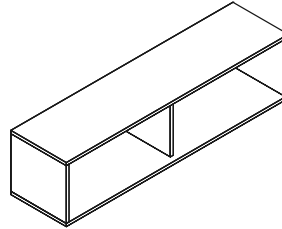
36" Wide



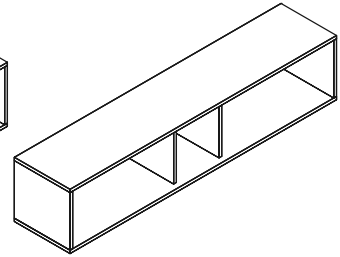
42" Wide



48" Wide

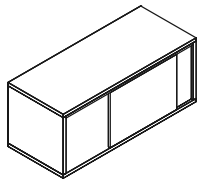


60" Wide

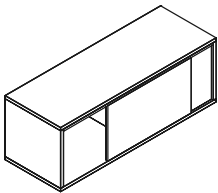


72" Wide

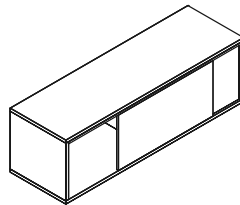
**Sliding Door Cabinets**



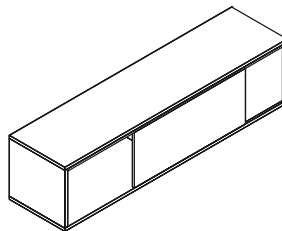
36" Wide



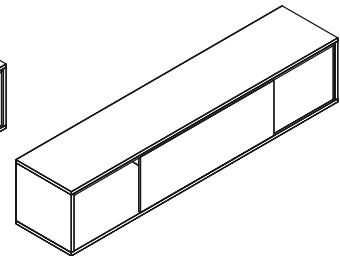
42" Wide



48" Wide



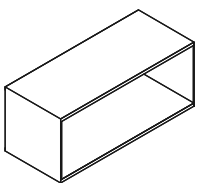
60" Wide



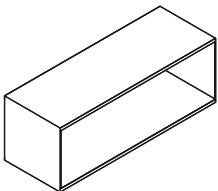
72" Wide

**Metal Cabinets**

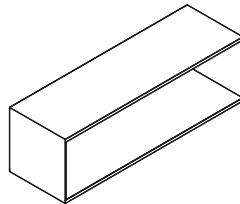
**Open Front and Enclosed Back Cabinets**



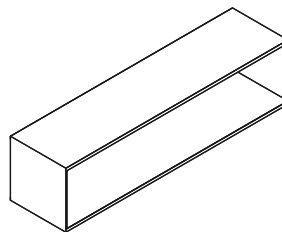
36" Wide



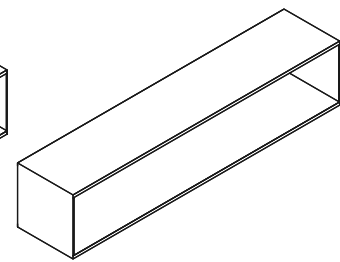
42" Wide



48" Wide

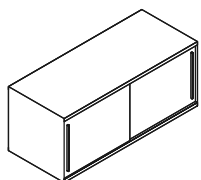


60" Wide

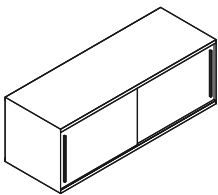


72" Wide

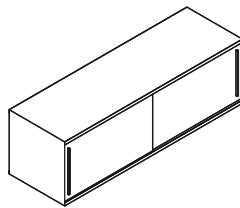
**Sliding Door Cabinets**



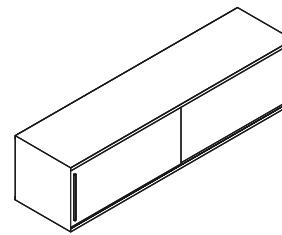
36" Wide



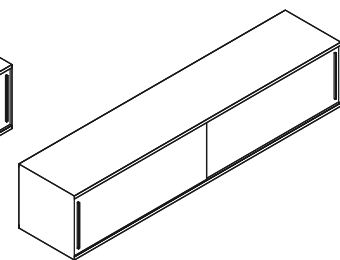
42" Wide



48" Wide



60" Wide



72" Wide

# Wall Mounted Wood Cabinets

## Open and Sliding Doors

### Planning Guidelines and Specifications

#### Wall Mounted Wood Cabinets

Wall mounted wood cabinets provide binder storage within private offices or walled, group workspaces. Cabinets are available in two configurations: open front with enclosed back, or fully enclosed, with overlapping sliding doors.

Cabinets mount on slim profile aluminum cleat, included.

Open and enclosed cabinets are available in 36", 42", 48", 60" and 72" widths, with a center partition for structure. Enclosed cabinets have two half-width doors, in laminate or veneer surface.

All wall mounted cabinets are 15"H x 15"D, with 13 1/2" clear interior height for binder storage. Cabinets can be specified in laminate or veneer. Open cabinets can also be specified in a combination of core laminates for the case and contrasting core or "pop" color laminates for all interior surfaces.

#### Construction

Case is composed of 3/4" thick wood panels, with discreet glue-and-dowel connections.

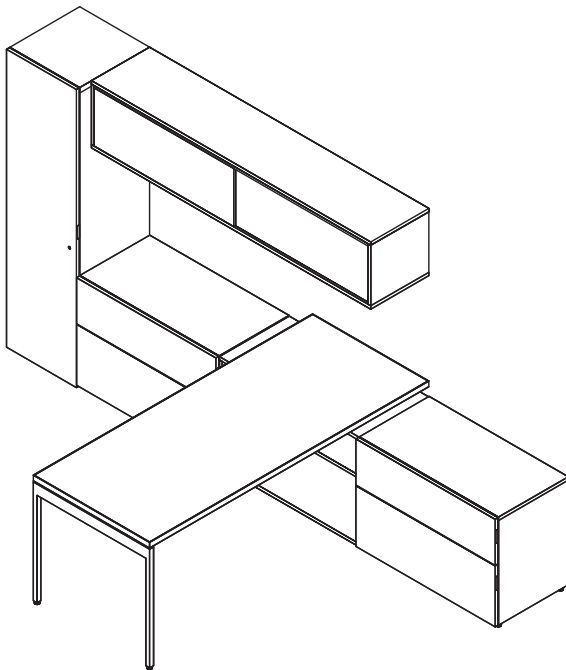
#### Specification Options

Specify laminate (L) or veneer (V) case.

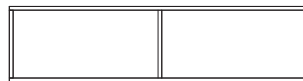
Case finish exterior is available in any Knoll Core laminate or veneer. When the case exterior is laminate, case interior is available in any Knoll Core or Accent laminate. When an Accent laminate is specified, the edgeband will match the exterior core laminate finish.

Door sets are specified separately to enable any combination of wood or laminate case and doors. Specify drawer front sets in any Knoll Core laminate (L) or veneer (V).

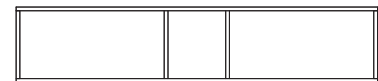
Pulls are available in any Knoll Core paint finish, Dark Red or Slate Blue.



Private Office Application with Wall Mounted Cabinet, Wardrobe and File Cabinets



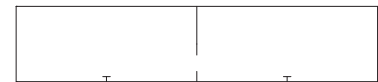
60"W Open Cabinet Elevation



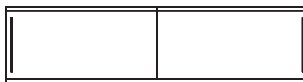
72"W Open Cabinet Elevation



60"W Open Cabinet Plan



72"W Open Cabinet Plan



60"W Sliding Door Cabinet Elevation



72"W Sliding Door Cabinet Elevation



60"W Sliding Door Cabinet Plan



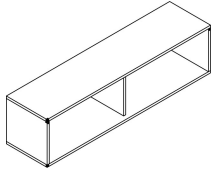
72"W Sliding Door Cabinet Plan

# Wall Mounted Wood Cabinets

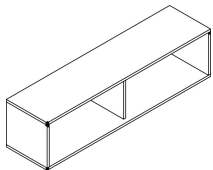
## Laminate or Veneer Case

### 36", 42", 48", 60" or 72" Wide

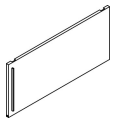
description	w	d	h	pattern no.	All Same Laminate (L)	Different Laminate Case/ Interior (Core Lam.) (L)	Different Laminate Case/ Interior (Accent Lam.) (L)	V1	V2	V3
Wall Mounted Wood Cabinets, Open Front and Enclosed Back	36"	15 1/2"	15"	<b>YSWMO3615()</b>	\$1,393.	\$1,532.	\$2,034.	\$2,034.	\$2,339.	\$2,923.
	42"	15 1/2"	15"	<b>YSWMO4215()</b>	1,448.	1,594.	2,131.	2,131.	2,451.	3,064.
	48"	15 1/2"	15"	<b>YSWMO4815()</b>	1,505.	1,654.	2,228.	2,228.	2,563.	3,203.
	60"	15 1/2"	15"	<b>YSWMO6015()</b>	1,606.	1,766.	2,295.	2,295.	2,638.	3,431.
	72"	15 1/2"	15"	<b>YSWMO7215()</b>	1,721.	1,893.	2,582.	2,582.	2,969.	3,859.



Wall Mounted Wood Cabinets, Sliding Door Cabinet Case	36"	15 1/2"	15"	<b>YSWMS3615()</b>	1,671.	1,839.	2,422.	2,422.	2,785.	3,481.
	42"	15 1/2"	15"	<b>YSWMS4215()</b>	1,727.	1,899.	2,518.	2,518.	2,897.	3,620.
	48"	15 1/2"	15"	<b>YSWMS4815()</b>	1,782.	1,961.	2,615.	2,615.	3,007.	3,760.
	60"	15 1/2"	15"	<b>YSWMS6015()</b>	1,893.	2,082.	2,754.	2,754.	3,098.	3,890.
	72"	15 1/2"	15"	<b>YSWMS7215()</b>	2,008.	2,209.	3,041.	3,041.	3,429.	4,318.



Sliding Door Set for Wall Mounted Wood Cabinets	36"	3/4"	15"	<b>YSSD3615()</b>	563.	n/a	n/a	883.	1,015.	1,269.
	42"	3/4"	15"	<b>YSSD4215()</b>	613.	n/a	n/a	910.	1,048.	1,309.
	48"	3/4"	15"	<b>YSSD4815()</b>	663.	n/a	n/a	929.	1,067.	1,335.
	60"	3/4"	15"	<b>YSSD6015()</b>	718.	n/a	n/a	1,003.	1,158.	1,509.
	72"	3/4"	15"	<b>YSSD7215()</b>	775.	n/a	n/a	1,091.	1,251.	1,630.



Ordering Information	Order Code	Included With	Options
<b>Wall Mounted Wood Cabinets</b> 1. Pattern Number 2. Exterior Case Finish 3. Interior Case Finish (Laminate only)	<b>Wall Mounted Wood Cabinets</b> <i>Example:</i> <b>YSWMO6015L, 118, 118</b> <b>YSWMO</b> Wall Mounted Wood Cabinets	<b>Wall Mounted Wood Cabinets</b> <b>Sliding Doors</b> Hardware	<b>Wall Mounted Wood Cabinets</b> <b>Case Finish Options:</b> (L) = All the same or different laminates for the exterior and interior case (V) = All the same veneer for the exterior and interior case <b>Sliding Doors</b> <b>Door Finish Options:</b> (L) = Laminate (V) = Veneer Door pulls are available in Knoll core paints, Dark Red (130) and Slate Blue (131) paint finishes.
<b>Sliding Door</b> 1. Pattern Number 2. Door Finish 3. Pull Finish	<b>60</b> Width <b>15</b> Depth <b>L</b> Laminate <b>118</b> Bright White Laminate Exterior <b>118</b> Bright White Laminate Interior		
	<b>Sliding Doors</b> <i>Example:</i> YSSD6015L, 118, E, 118T <b>YSSD</b> Sliding Door <b>60</b> Width <b>15</b> Depth <b>L</b> Laminate <b>118</b> Bright White Laminate <b>118T</b> Bright White Paint		

# Wall Mounted Metal Cabinets

## Open and Sliding Doors

### Planning Guidelines and Specifications

#### Wall Mounted Metal Cabinets

Wall mounted metal cabinets provide binder storage within private offices or walled, group workspaces. Cabinets are available in two configurations: open front with enclosed back, or fully enclosed, with overlapping sliding doors.

Cabinets mount on slim profile aluminum cleat, included.

Open and enclosed cabinets are available in 36", 42", 48", 60" and 72" widths. 60" and 72" wide open cabinets have a center partition for structure. Enclosed cabinets have two overlapping half-width painted metal doors.

All wall mounted cabinets are 15"H x 15"D, with 13 1/2" clear interior height for binder storage. Cabinets can be specified in all painted finish case and interior, with matching or contrasting doors finish.

Metal cabinets can be specified with a lock.

#### Construction

Cabinet top and bottom are formed to 3/4" thick, and sides are flat, heavy gauge steel.

Sliding doors are contained within perimeter frame.

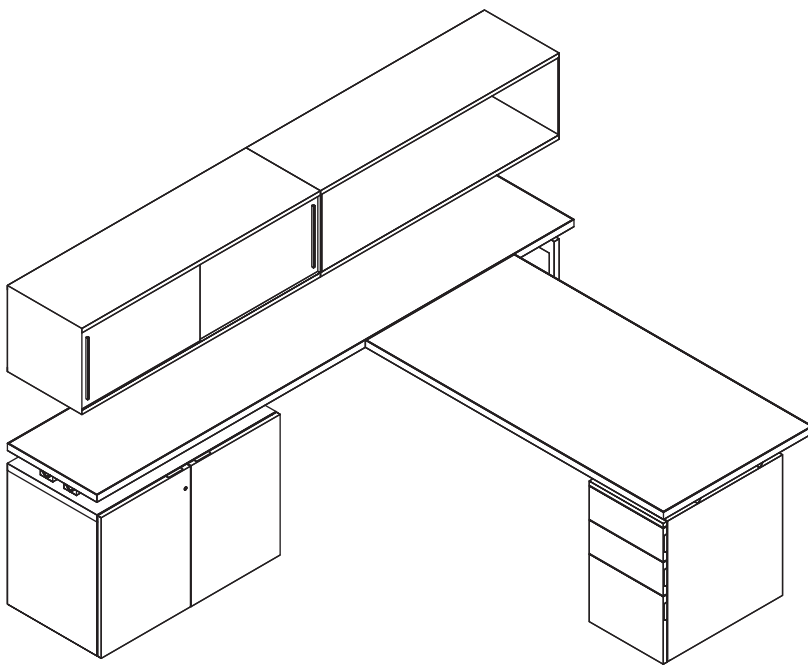
#### Specification Options

For open cabinets, specify case finish in any Knoll Core paint finish.

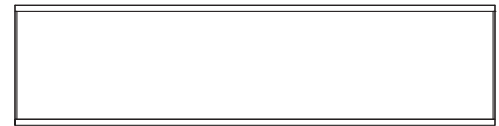
For enclosed cabinets, specify locking (L) or non-locking (N).

When different paint finishes are being selected for the case, doors or pulls, add a (Y) suffix to the pattern number. If a single paint finish is being specified for all components add an (S).

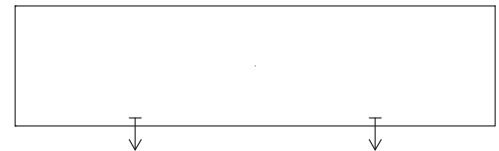
Specify case, doors and pulls in any Knoll Core paint finish.



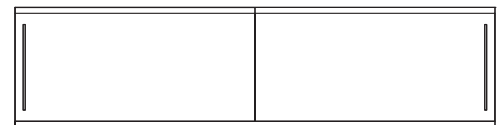
Private Office Application with Wall Mounted Metal Cabinets



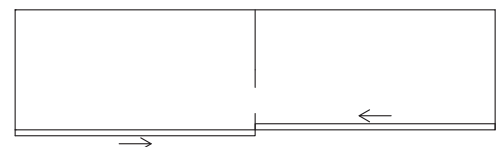
Open Cabinet Elevation



Open Cabinet Plan



Sliding Door Cabinet Elevation



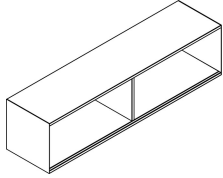
Sliding Door Cabinet Plan

# Wall Mounted Metal Cabinets

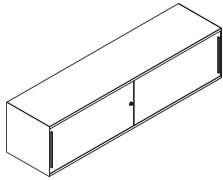
## Open and Sliding Doors

### 36", 42", 48", 60" or 72" Wide

description	w	d	h	pattern no.	P1	P2	P3
Wall Mounted Metal Cabinets, Open Front and Enclosed Back	36"	15"	15"	<b>YSMWMO36</b>	\$789.	\$868.	\$908.
	42"	15"	15"	<b>YSMWMO42</b>	827.	910.	951.
	48"	15"	15"	<b>YSMWMO48</b>	878.	967.	1,010.
	60"	15"	15"	<b>YSMWMO60</b>	1,131.	1,242.	1,299.
	72"	15"	15"	<b>YSMWMO72</b>	1,235.	1,360.	1,421.



Wall Mounted Metal Cabinets, with Sliding Doors	36"	15"	15"	<b>YSMWMS36L</b>	958.	1,053.	1,099.
	42"	15"	15"	<b>YSMWMS42L</b>	1,001.	1,099.	1,149.
	48"	15"	15"	<b>YSMWMS48L</b>	1,057.	1,159.	1,212.
	60"	15"	15"	<b>YSMWMS60L</b>	1,320.	1,449.	1,514.
	72"	15"	15"	<b>YSMWMS72L</b>	1,438.	1,579.	1,648.



Ordering Information	Order Code	Included With	Options
<b>Wall Mounted Metal Cabinets, Open Front</b> 1. Pattern Number 2. Case Finish  <b>Wall Mounted Metal Cabinets with Sliding Door</b> 1. Pattern Number 2. Paint Configuration 3. Case Finish 4. Door Finish 5. Pull Finish	<b>Wall Mounted Open Front Metal Cabinets</b>  <i>Example:</i> <b>YSMWMO60, 118T</b>  <b>YSMWMO</b> Wall Mounted Metal Cabinets <b>60</b> Width <b>118T</b> Bright White Paint  <b>Wall Mounted Metal Cabinets with Sliding Door</b>  <i>Example:</i> YSMWMS60LY, 118T, 613, 118T  <b>YYSMW</b> Wall Mounted Metal Cabinet <b>MS</b> Cabinet <b>60</b> Width <b>L</b> Lock <b>Y</b> Different Paint Finishes <b>118T</b> Bright White Painted Case <b>613</b> Silver Painted Door <b>118T</b> Bright White Painted Pull	<b>Wall Mounted Metal Cabinets, Open Front</b> Full width interlocking wall mount cleats  <b>Wall Mounted Metal Cabinets with Sliding Doors</b> Full width interlocking wall mount cleats	<b>Wall Mounted Metal Cabinets, Open Front</b>  <b>Wall Mounted Metal Cabinets with Sliding Doors</b>  <b>Paint Configuration Options:</b> Add (S) or (Y) at the end of the pattern number to specify the paint configuration.  (S) = Same paint finish on case and sliding door  (Y) = Different paint finish on case and sliding door  <b>Lock Option:</b> To specify a wall mounted metal cabinet with sliding doors without a lock replace the "L" suffix in the pattern number with an "N".  <b>Pull Finish Options:</b> Door pulls are available in Knoll core paints, Dark Red (130) and Slate Blue (131) paint finishes. Add \$40 to the list price for painted door pulls.

# LED Task Lights

## Planning Guidelines and Specifications

### LED Task Lights

LED task lights mount into the recess in the underside of metal or wood overhead cabinets at least 5" wider than the task light width. LED task lights must be ordered separately from storage cabinets.

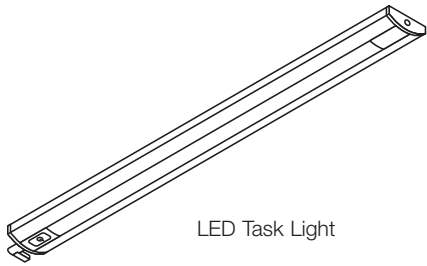
LED task lights include LED's, a power supply with 9'-12' cord and mounting hardware. The power supply cord attaches to either end of the fixture, allowing for easier access to the closest available duplex.

LED task lights are TCLP compliant and meet requirements of California Title 20 and Title 24. Task lights are approved for New York City installations.

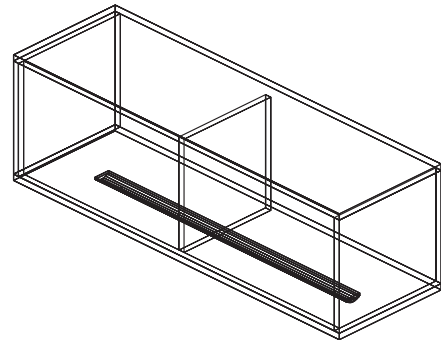
### Construction

Housings are clear anodized aluminum with white color end-caps.

Model Number	Fixture Length	Lamp Length	Lamp Watts	Input Watts
YL4L17	17"	16.4"	6.6	7.8
YL4L31	31"	30.1"	14.8	17.6
YL4L44	44"	43.7"	21.8	25.9
YL4L58	58"	57.4"	28.2	33.6



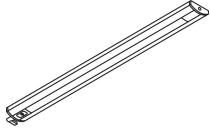
LED Task Light



Wall Mounted Overhead with LED Task Light

# LED Task Lights

*for wood and metal overhead storage*

description	type	w	d	h	pattern no.	list
	For use with 24" and wider overheads (24 LED's)	17"	2"	1/2"	<b>YL4L17</b>	\$507.
	For use with 36" and wider overheads (48 LED's)	31"	2"	1/2"	<b>YL4L31</b>	846.
	For use with 48" and wider overheads (72 LED's)	44"	2"	1/2"	<b>YL4L44</b>	1,102.
	For use with 66" and wider overheads (96 LED's)	58"	2"	1/2"	<b>YL4L58</b>	1,384.

## Ordering Information

### LED Task Lights

1. Pattern Number

## Order Code

### LED Task Lights

*Example:* **YL4L17**

<b>YL4</b>	Task Light
<b>L</b>	LED
<b>17</b>	Width

## Included With

### LED Task Lights

LED's  
Power Supply with 9' cord for 17" and 12' cord for 31", 44" and 58"  
Mounting Hardware

## Options

### LED Task Lights

Housings are clear anodized aluminum with white color end-caps.

Power cord is able to attach to either end of fixture.

### Interpole Planning with Standalone Poles

Interpole plans as a standalone pole that secures to the structural ceiling and floor of a building to provide convenient access to technology. Standalone poles have four sides: two channels opposite facing for managing power and communications cables from the ceiling or floor to open plan or panel systems and two opposite facing continuous vertical slots for mounting shelves, screens, accessories or KnollExtra Sapper monitor supports at any height.

Standalone poles enable three planning applications:

- Hub for community spaces
- Display for private offices, assembly and community spaces
- Conduit for unlimited supply to desk and panel systems

### Hub

Interpole distributes two-circuit power from floor or ceiling to outlets at lounge, desk or standing height to serve as a recharge station for portable devices. Power and USB outlets snap together with connectors and an infeed from a junction box in floor or ceiling to mount inside one or both channels. Each side of the pole requires its own infeed to supply power to outlets if powering both sides of a pole.

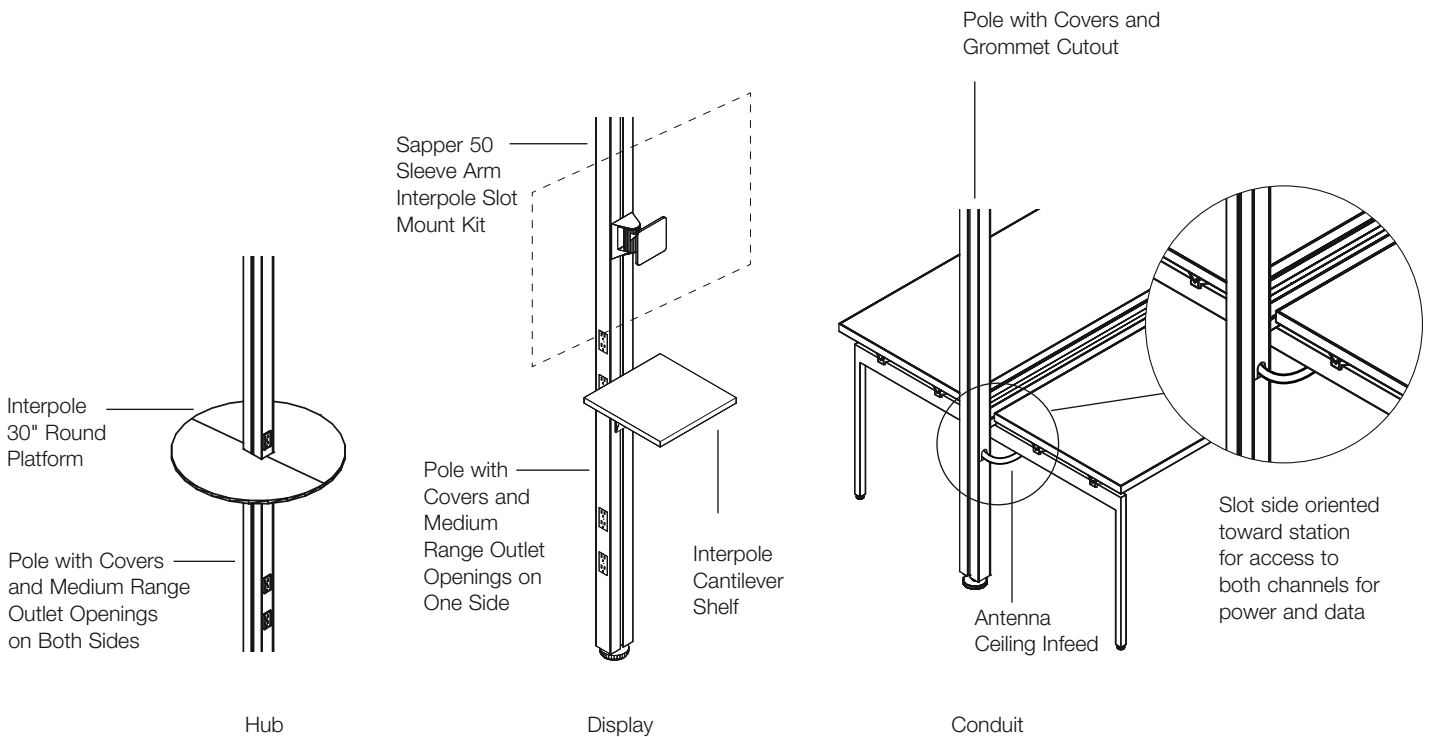
30" Round Counter and 12" x 12" Cantilever Shelf support portable devices while recharging or provide a touch down surface for the mobile worker. Additional accessories such as a coat hook and bag hook mount into the slot side of a pole to accommodate the temporary user.

### Display

Standalone Interpole acts as a technology mast in private offices or community spaces by supporting monitors. KnollExtra Sapper Monitor Arm Collection and Sapper XYZ mounts are available for mounting to the slot side of a pole for standalone applications. CPU holder with adjustable straps accommodates various size CPU boxes while the CPU mounting bracket supports a small form factor PC.

### Conduit

Standalone poles can route ceiling infeeds of power and communications cables in separate channels to supply Antenna Workspaces linked desks, big table or Fence, or clusters of Dividends Horizon, AutoStrada, Reff Profiles or Morrison panel systems, or Autostrada Spine.





Interpole can define boundaries and support work areas with combinations of screens and storage between two or more poles. Interpole screens and storage are available in heights that create horizons equivalent to stacking up to four Interpole cabinets, or horizons corresponding to Knoll open office system panel heights.

Interpole planning assumes storage or screens are installed at 10 1/8" above the floor.

### Screen Horizons

Standard screen horizons are nominal 42", 58" or 74"H, which align with two, three or four Interpole cabinets.

The 42" horizon, utilizing 32"H screens (with 10 1/8" below), enables seated visual contact and access to natural light. The 58" horizon enables seated privacy, plus ideal heights for display, whiteboards or tackable surface.

Additional screen heights, primarily for combinations of storage and screens, enable 25" horizon (aligning with Antenna legs and low storage) or 34" horizon.

### Storage Horizons

Multiples of one, two, three or four Interpole horizontal storage cabinets, with 10 1/8" below and 1 1/2" space between them, create horizons of 25", 42", 58" or 74"H.

The 25" horizon is useful for applications in which a desk or table overlaps the cabinet. The 42" horizon enables seated visual contact and access to natural light.

The 58" horizon is appropriate for seated privacy in open plan applications and the 74" horizon is ideal for maximum accessible storage in an enclosed office or privacy in an activity space.

### Horizons Combining Screens and Storage

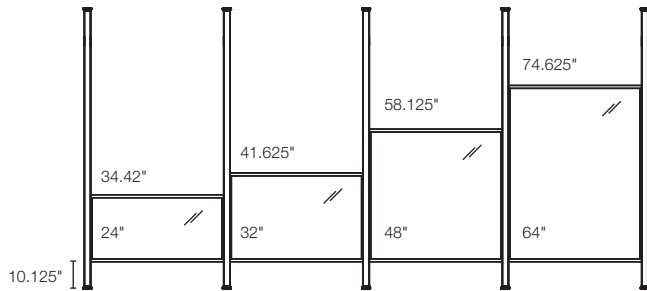
Combinations of screens and storage enable a number of horizons ideal in open plan or activity spaces.

The 42" horizon, created by one cabinet and one 15"H screen, enables visual access and aligns with 42"H panels or storage.

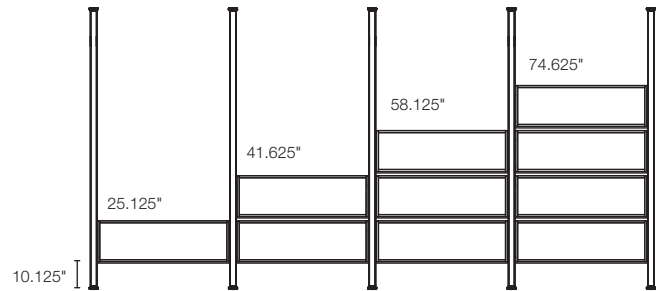
The 51" horizon, with one cabinet and a 24"H screen, is good for seated privacy with whiteboard.

The 67" horizon, with a 24"H screen between two cabinets provides accessible display and privacy, and plans well with perpendicular Antenna desks or seated-to-standing height tables.

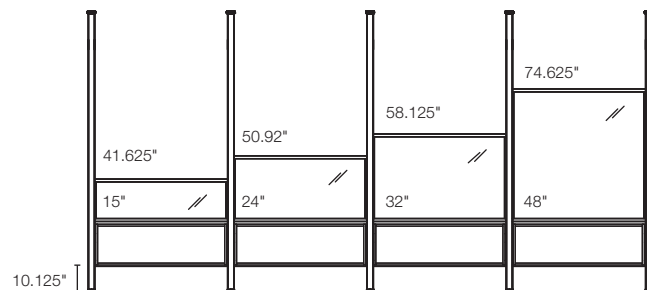
The 74" horizon is especially useful for standing height privacy or enclosed offices.



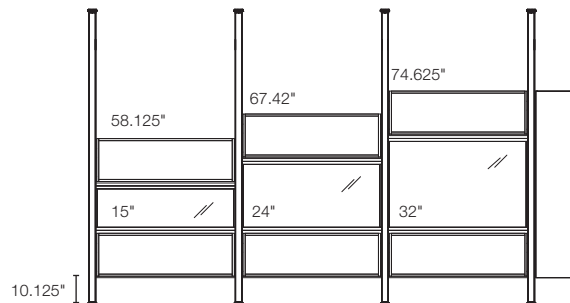
Screen Horizons



Storage Horizons



Storage with Lower Screen Horizons



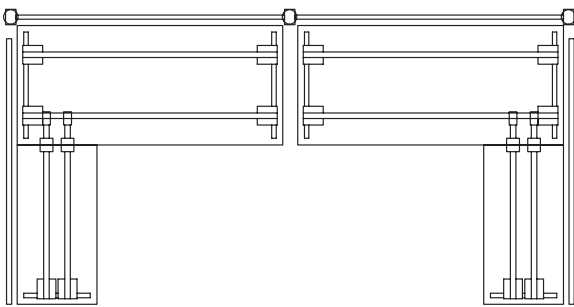
Storage Combined with Lower Screen Horizons

**\*Note:** nominal dimensions are shown for screens. The overall horizons are actual dimension off finished floor.

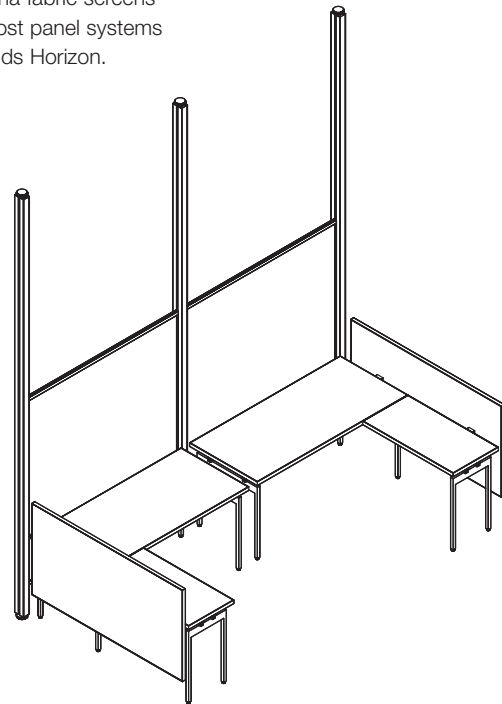
### Open Planning with Interpole

Multiple Interpoles with screens or combinations of screens and storage define spines that support individual and group work areas on one or both sides. Interpole's unique floor-to-ceiling structure enables the flexibility of screens, single-sided, shared or "yin-yang" storage and pass through-open spaces, to mount at any height.

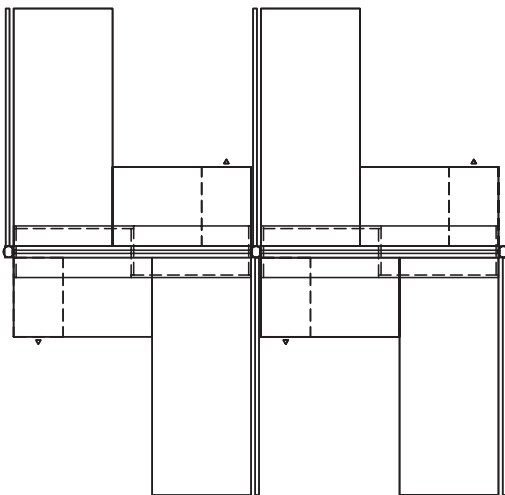
Poles with screens and storage plan with any 6" increment of width from 36" – 72" plus  $\frac{5}{8}$ " between poles, plus  $2\frac{3}{8}$ " for the pole itself. So a spine of Interpole aligns perfectly with standard desk widths as well as standard freestanding file cabinet widths. And the poles correspond closely with Antenna fabric screens plus a wire drop, as well as most panel systems such as AutoStrada or Dividends Horizon.



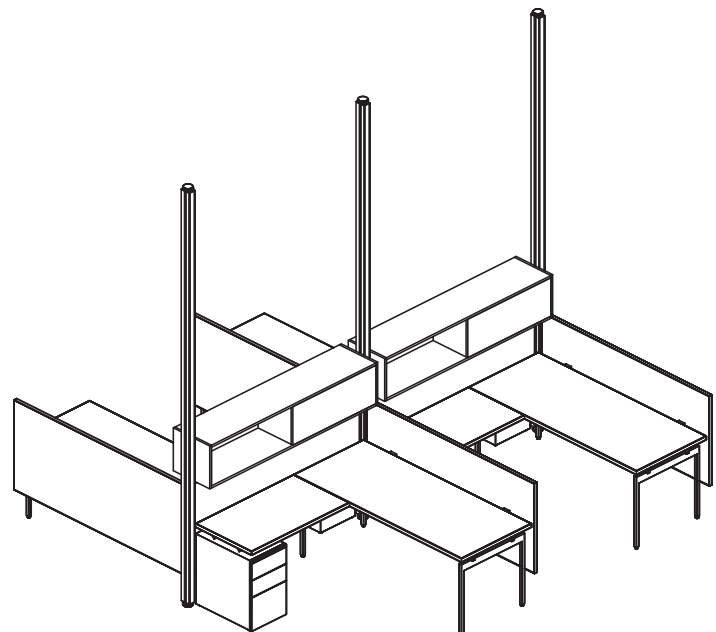
Plan View of Interpole Open Plan Screen Spine with Antenna Desks



Interpole Open Plan Screen Spine with Antenna Desks



Plan View of Interpole Open Plan Storage Spine with Antenna Desks



Interpole Open Plan Storage Spine with Antenna Desks



Pole without Cover



Pole with Covers (no outlets)



Pole with Covers (no outlets) with Grommet one side



Pole with Covers, Low Range Outlets (12"/18"/24"/30")



Pole with Covers, Medium Range Outlets (12"/18"/36"/42")



Pole with Covers, High Range Outlets (12"/18"/60"/66")



Extension Pole

# Interpole Poles and Covers

## Planning Guidelines and Specifications

Interpole is an independent system of poles, modular power components, screens and accessories that can be planned in combination with Antenna Workspaces desks and tables, big tables and Fence, other systems products or seating to serve and define a variety of workspaces.

### Interpole Poles

The fundamental planning component is an H-shape,  $2 \frac{3}{8}$ " x  $3 \frac{1}{2}$ " pole that spans between and connects to the building floor and structural ceiling.

Poles and covers are 12'-3" tall and can be trimmed to fit lower overall ceiling height. Extension poles 47" tall are available to extend height to fit taller spaces.

Poles engage a mounting bracket fastened to the floor and ceiling deck and "levelers" extend for a compression fit. A set screw at the top of the pole locks the pole securely into position.

Screens, platforms, monitor supports and accessories mount to continuous slots on the two wide sides. Poles can be ordered with covers for U-shape open channels on each narrow side to enclose modular power or 2.36 square inch cross-section for cable distribution.

Cable capacity for Pole channel with a maximum fill of 50% is 16 category 6 cables and 12 category 6a cables per side.

For use as a hub for power or as a monitor support poles should be specified with covers with outlet openings. Extension poles are only available with covers and include a hardware kit for attachment. Extension poles can be cut into shorter segments to extend multiple poles. Each additional segment will require an extension pole extra hardware mounting kit. Maximum overall height capable is one 12' 3" pole and one 47" extension pole.

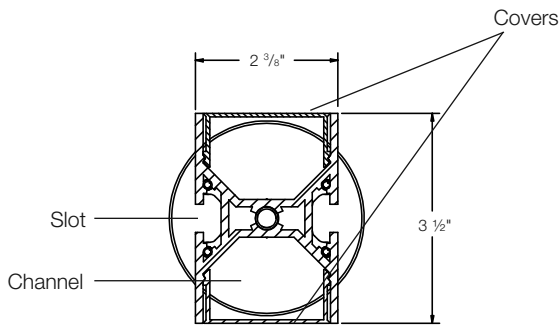
For ceiling infed to Antenna or other systems, poles should be ordered with covers without outlets openings. For support of screens poles can be ordered with or without covers.

### Construction

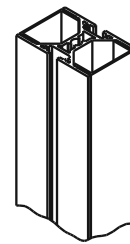
Interpole poles and covers are extruded aluminum. Levelers are steel threaded stems with painted surface on molded ABS caps. Ceiling and floor mounting plates are painted steel.

### Specification Options

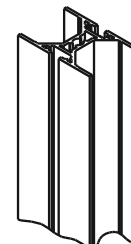
Poles and covers can be specified in natural anodized aluminum (AA) or powder coated Bright White finish (118T). Leveler caps are Satin Chrome (PS) or painted Jet Black (111) or Bright White (118).



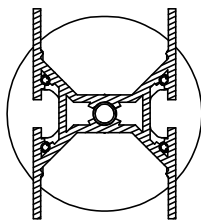
Pole Section with Covers



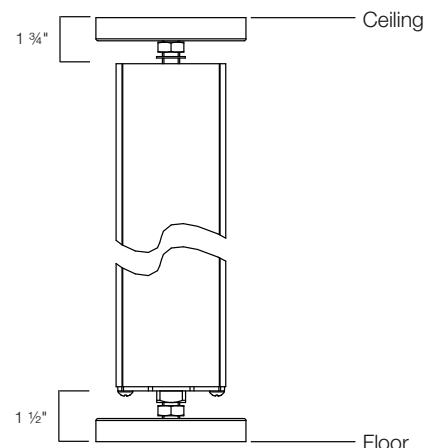
Pole with Covers



Pole without Covers



Pole Section without Covers



Ceiling/Floor Detail

# Interpole Poles and Covers

## Planning Guidelines and Specifications

### Pole Cover Options

Poles with covers can be ordered with four outlet openings on one or both sides, in three height combinations:

Low: outlets centered at 12", 18", 24", 30" above floor (lounges and desk height)

Medium: outlets centered at 12", 18", 36", 42" above floor (standing height)

High: outlets centered at 12", 18", 60", 66" above floor (TV height)

Outlet openings can be used for Interpole duplex outlets, Decora-size communications faceplates, or filled with a blank faceplate.

Poles can also be ordered without covers, with covers that do not have outlet openings (as for ceiling infeed to adjacent Fence or panel base raceway), or with one cover that has a grommet at the bottom. The grommet can be positioned at any height to enable a ceiling infeed to exit the pole at desk or big table height by shifting the cover up to the desired height. Then the top end of the cover can be trimmed onsite to fill in below the grommet opening.

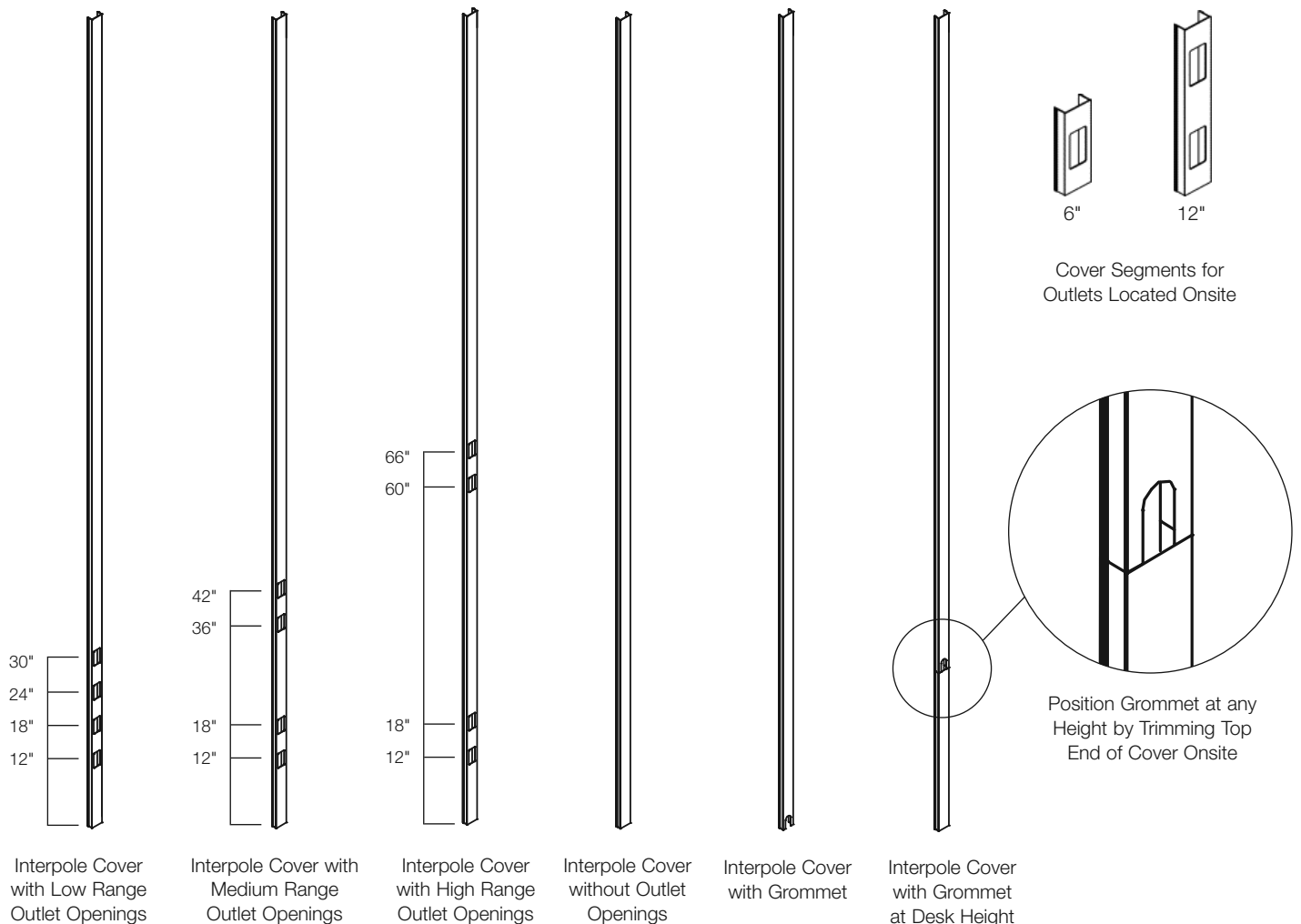
Covers are also available in a 6" or 12" segment for one or two outlet openings to be positioned anywhere on a pole. This can be especially useful when a single outlet is required behind a TV and no outlets are needed below. In this case specify a pole with covers without outlets, and trim a side cover to fit above and below the outlets cover segment.

### Construction

Interpole poles and covers are extruded aluminum. Levelers are steel threaded stems with painted surface on molded ABS caps. Ceiling and floor mounting plates are painted steel.


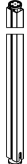
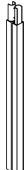
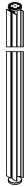
### Specification Options

Poles and covers can be specified in natural anodized aluminum (AA) or powder coated Bright White finish (118T). Leveler caps are Satin Chrome (PS) or painted Jet Black (111) or Bright White (118).



# Interpole Poles and Covers

## *Without Outlets (no holes for power)*

description	type	w	d	h	pattern no.	AA	118T
Pole with covers, no outlet openings	Straight	2.3"	3.5"	144"	<b>IPSCNN144</b>	\$2,229.	\$2,639.
							
Pole with covers, no outlet openings, grommet in one cover	Straight	2.3"	3.5"	144"	<b>IPSCNG144</b>	2,322.	2,737.
							
Extension Pole with covers	Straight	2.3"	3.5"	47"	<b>IPESCNN47</b>	1,251.	1,505.
							
Pole without covers	Straight	2.3"	3.5"	144"	<b>IPSN144</b>	1,543.	1,707.
							

### Ordering Information

#### Interpole Poles Without Outlets

1. Pattern Number
2. Finish

### Order Code

#### Interpole Poles Without Covers

*Example:* **IPSCNG144, 118T**

<b>IP</b>	Interpole
<b>S</b>	Straight
<b>C</b>	Covers
<b>N</b>	No Outlets
<b>G</b>	Grommet in one cover
<b>144</b>	Height
<b>118T</b>	Bright White Paint

### Included With

**Interpole Pole**  
Attachment Hardware

**Extension Pole**  
(2) Splices  
(8) Screws


### Options

**Interpole Pole Finish Options:**


**Pole and Cover**  
(AA) = Anodized Aluminum  
(118T) = Bright White Paint

**Leveller**  
(PS) Satin Chrome  
(111) Jet Black  
(111) Bright White

# Interpole Poles and Covers With Outlets

description	type	w	d	h	pattern no.	AA	118T
 Poles with covers, with outlet openings one side	Straight high range	2.3"	3.5"	144"	<b>IPSCNH144</b>	\$2,475.	\$2,885.
	Straight low range	2.3"	3.5"	144"	<b>IPSCNL144</b>	2,475.	2,885.
	Straight medium range	2.3"	3.5"	144"	<b>IPSCNM144</b>	2,475.	2,885.

*IPSCNL144 shown*

 Poles with covers, with outlet openings both sides	Straight high range	2.3"	3.5"	144"	<b>IPSCHH144</b>	2,634.	3,049.
	Straight low range	2.3"	3.5"	144"	<b>IPSCLL144</b>	2,634.	3,049.
	Straight medium range	2.3"	3.5"	144"	<b>IPSCMM144</b>	2,634.	3,049.

*IPSCLL144 shown*

## Ordering Information

### Interpole Poles With Outlets

1. Pattern Number
2. Finish

## Order Code

### Interpole Poles With Outlets

*Example:* **IPSCHH144, AA**

<b>IP</b>	Interpole
<b>S</b>	Straight
<b>C</b>	Covers
<b>HH</b>	High Outlets Two Sides
<b>144</b>	Height
<b>AA</b>	Anodized Aluminum

## Included With

**Interpole Pole**  
Attachment Hardware

## Options

### Interpole Pole Finish Options:

**Pole and Cover**  
(AA) = Anodized Aluminum  
(118T) = Bright White Paint

**Leveller**  
(PS) Satin Chrome  
(111) Jet Black  
(111) Bright White

Interpole power system is a two-circuit, four wire system of snap together outlets, connectors between outlets and infeed from junction box in floor or ceiling.

Duplex outlets are available preconfigured for either circuit 1 or circuit 2. Duplex outlets include a bracket that lets them attach to the inside of the pole channel at any height. Poles ordered with openings have mounting positions for outlets corresponding to openings in covers.

Power connectors are available for adjacent outlets separated by 6" on center, outlets separated by 18" on center, or for outlets separated by 42" on center.

Interpole power infeeds include one end with a modular connector to the first duplex outlet, a flexible metal conduit, and a pigtail for connection to a code approved junction box supplied by the electrical contractor. The conduit length can be ordered in 6', 8', 10' or 18' lengths depending on the distance between the first outlet and the junction box in the floor or ceiling.

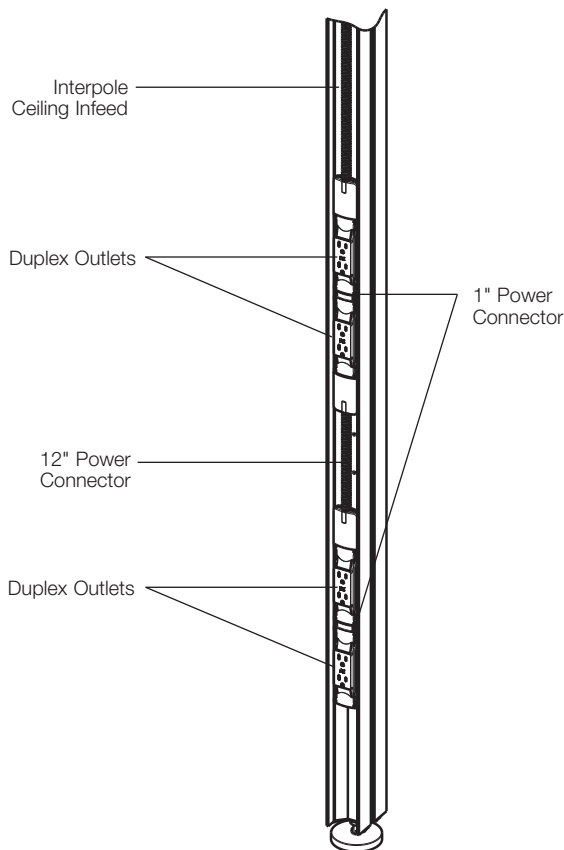
The pole levelers create a 1 1/2" space between the pole and the floor or ceiling to facilitate cable entry and exit, which can be increased by trimming the cover onsite.

Communications cables can be routed through the side of a pole that does not contain power components to provide separation. Cable capacity in each channel is maximum 3 square inch cross section. A flexible cover liner is available to protect cables from trimmed cover ends.

One to three communications cables can also be routed from the ceiling through the side of a pole that does have power infeed but should exit the pole through a hole in the cover or be terminated in a communications faceplate above the power outlets. The flexible conduit enclosing the power infeed will provide separation of high and low voltage distribution.

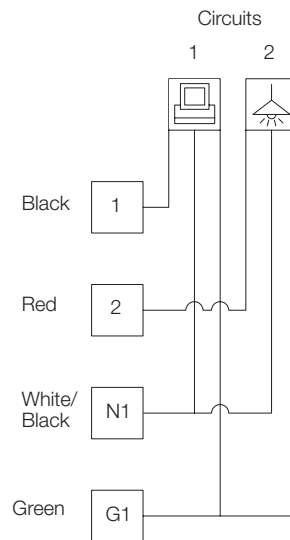
### Specification Options

For duplex outlets specify black (B) or white (W).



Pole without Covers with Medium Range Outlets, Connectors and Ceiling Infeed

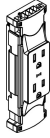

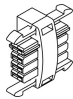

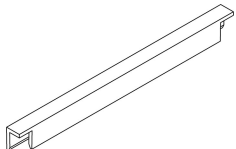

### Wiring Diagram (two-circuit, four wire)





# Interpole Power Components

## *Power to Outlets within Interpole*

description	type	w	d	h	pattern no.	B	W	list
Duplex Outlet 	Circuit 1				<b>IPRD1()</b>	\$141.	\$156.	
	Circuit 2				<b>IPRD2()</b>	141.	156.	
USB Outlet 	Circuit 1				<b>IPRUSB()</b>	226.	259.	
Power Connectors between Outlets 	Outlets 6" apart o.c.			1"	<b>IPRC6</b>			25.
	Outlets 18" apart o.c.			12"	<b>IPRC18</b>			110.
	Outlets 30" apart o.c.			24"	<b>IPRC30</b>			126.
	Outlets 42" apart o.c.			36"	<b>IPRC42</b>			142.
Modular Infeeds from Ceiling J-Box 	From 12' ceiling to outlets at 66"			72"	<b>IPRCF72</b>			197.
	From 12' ceiling to outlets at 42"			96"	<b>IPRCF96</b>			231.
	From 12' ceiling to outlets at 30"			120"	<b>IPRCF120</b>			264.
	Very high ceiling			180"	<b>IPRCF180</b>			351.
Edge Liner 	Set of 10 for field cut cover				<b>IPEL</b>			88.
Blank Outlet Filler 	For use with Interpole				<b>IPROF</b>			31.

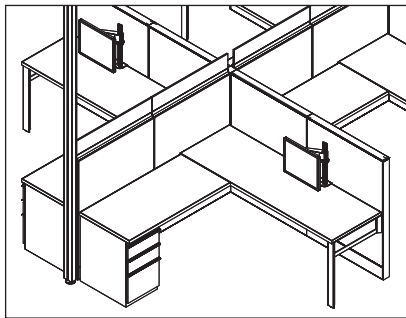
Ordering Information	Order Code	Included With	Options
<b>Electrical Components</b> 1. Pattern Number  <b>Duplex Outlet</b> 1. Pattern Number 2. Finish	<b>Electrical Components</b> <hr/> <i>Example:</i> <b>IPRCF120</b> <hr/> <b>IP</b> Interpole <hr/> <b>RCF</b> Ceiling Infeed <hr/> <b>120</b> Height <hr/> <b>Duplex Outlet</b> <hr/> <i>Example:</i> <b>IPRD1W</b> <hr/> <b>IPRD</b> Interpole Receptacle Duplex <hr/> <b>1</b> Circuit 1 <hr/> <b>W</b> White	<b>Electrical Components</b>  <b>Outlets</b> Brackets Attachment Hardware	<b>Electrical Component</b>  <b>Duplex Outlet</b>  <b>Finish Options:</b> (B) Black (W) White  <b>Blank Outlet Filler</b> <b>Finish Options:</b> (BLK) Black (GRY) Grey

### Ceiling infeeds to Antenna Workspaces and other Knoll systems

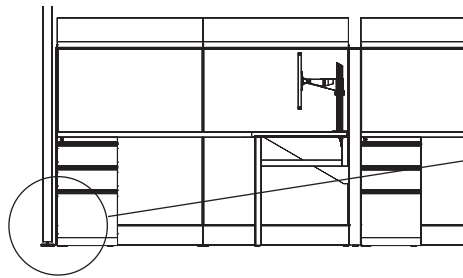
Power infeeds to open plan systems can be routed through a pole channel that has no Interpole power components or outlet openings. Pole should be positioned no more than 18" away from systems furniture.

Power infeed should be ordered in a length adequate to connect from junction box in ceiling, through Interpole pole to power harness in adjacent Antenna desk, big table or Fence, or panel system base infeed location.

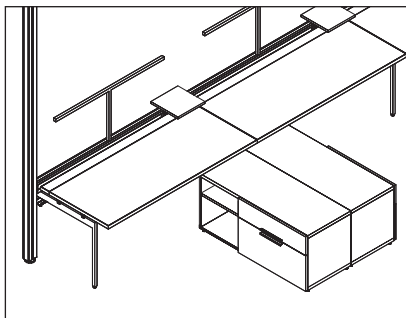
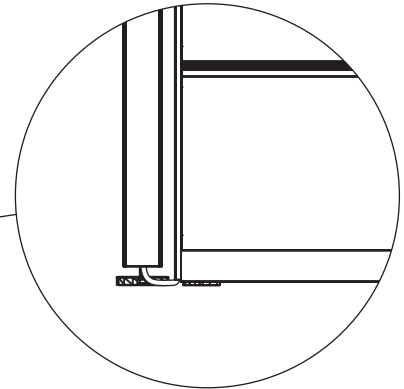
Ceiling infeeds for Antenna Workspaces are available in 2+2, eight wire, four circuit, or 3+3, ten wire, six circuit configurations, in two lengths: 12' or 20' long. Standard ceiling infeeds for Dividends Horizon, AutoStrada or Reff Profiles applications are available in various circuit configurations and lengths (see each catalog for more information).



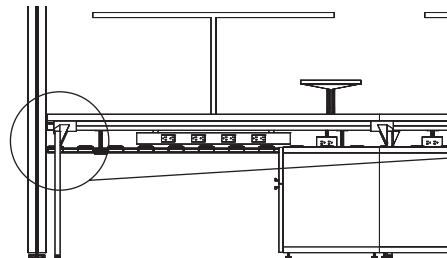
Conduit to Dividends Horizon Panels



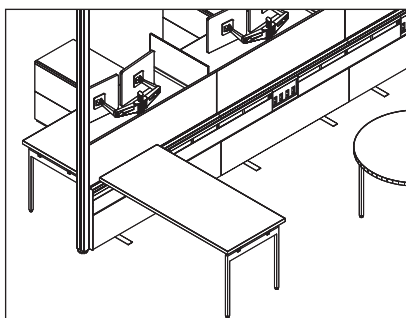
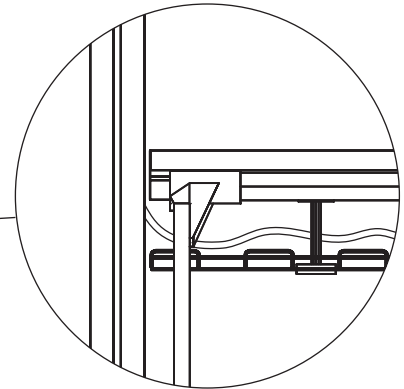
Elevation of conduit to Dividends Horizon Panels



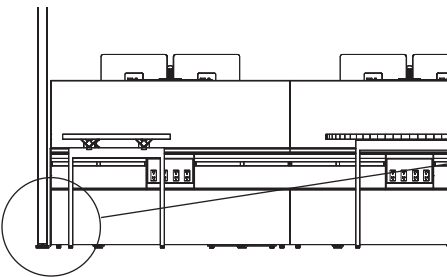
Conduit to Antenna Workspaces Single-Sided Basic Big Table



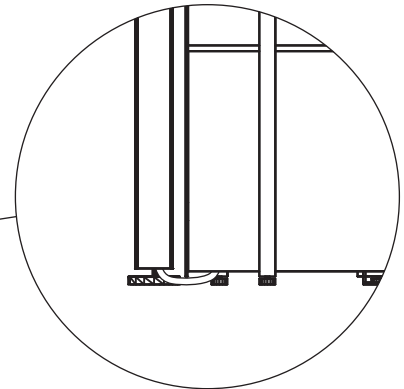
Elevation of conduit to Antenna Workspaces Single-Sided Basic Big Table



Conduit to Antenna Fence



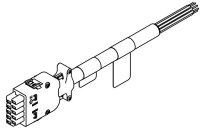
Elevation of Conduit to Antenna Fence



# Interpole Power Components

## Ceiling Infeeds to other Systems

description	type	length	pattern no.	list
Ceiling infeed passing through Interpole to Antenna desk, Big Table or Fence	2+2	12'	<b>YR1EPIC12</b>	\$433.
	2+2	20'	<b>YR1EPIC20</b>	787.
	3+3	12'	<b>YR1TPIC12</b>	468.
	3+3	20'	<b>YR1TPIC20</b>	825.
Ceiling infeed passing through Interpole to Dividends Horizon Panels	2+2	19 1/2'	<b>DE18CI144</b>	341.
	3+1	19 1/2'	<b>DE1ECI144</b>	310.
	3+3	19 1/2'	<b>DE1TCI144</b>	394.
Ceiling infeeds passing through Interpole to Reff Profiles panels	2+2	13'	<b>RR3EPVR</b>	310.
	3+3	13'	<b>RR3TPVR</b>	374.
Ceiling infeeds passing through Interpole to AutoStrada Spine	2+2	145"	<b>AR1EPIC</b>	252.
	3+3	145"	<b>AR1TPIC</b>	287.



Ordering Information	Order Code	Included With	Options
<b>Interpole Ceiling Infeed</b>	<b>Interpole Ceiling Infeed</b>	<b>Interpole Ceiling Infeed</b>	<b>Interpole Ceiling Infeed</b>
1. Pattern Number	<i>Example:</i> <b>YR1TPIC12</b>		
	<b>YR1</b> Antenna Power Component		
	<b>TP</b> 10 Wire		
	<b>IC</b> Interpole Ceiling Infeed		
	<b>12</b> Length		

### Interpole Accessories

Interpole cable clips engage the slot on each wide side to manage a bundle of cables up to 3/4" in diameter. Cable clips are medium grey plastic, available in a kit of 50.

Ceiling tile trim kit is designed to trim the edge of a suspended ceiling tile cut to fit around the Interpole pole.

Interpole poles have two continuous vertical slots and two continuous channels that are ready to accept monitor supports. Twelve Interpole-specific Sapper mounts are available: standard monitor arm, sleeve arm, Sapper 50 monitor arm, Sapper 50 sleeve arm and Sapper XYZ. Interpole slot mounting options or channel mounting options and arms can be ordered as a complete kit or a la carte in the KnollExtra Sapper Monitor Arm collection.

PC mounting bracket is a flat plate with holes corresponding to standard 4" x 4" array of four mounting holes on a small form factor PC. PC mounting bracket is black painted finish only.

CPU Holder with adjustable straps can support electronics boxes sized 3.5" wide and 30" high or 7" wide and 23" high, or any box that two times the width plus the height equals 37" total or less.

Cantilever shelf supports remotes or small portable electronics on the pole at any height. Shelf is 12" x 12" x 3/4" thick, with laminate or veneer surface, mounted on an Antenna L-bracket to the slot on either side of a pole. Maximum weight limit for the cantilever shelf is 58 lbs.

Interpole bag hook, coat hook and KnollExtra accessory cup mount to the slot on either side of a pole.

### Construction

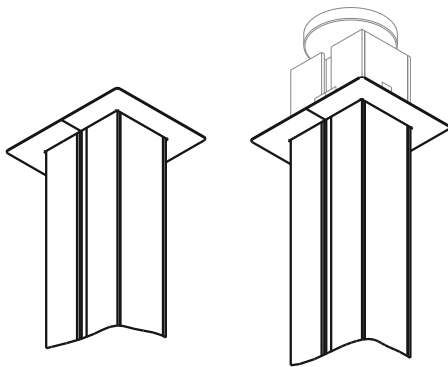
Cantilever shelf is solid MDF with laminate top and bottom and matching ABS edge or veneer on all surfaces. Ceiling tile trim kit is painted steel, in two interlocking parts, with a 1" wide frame around pole.

CPU Holder with adjustable straps includes painted black brackets and black straps with hook and loop fasteners.

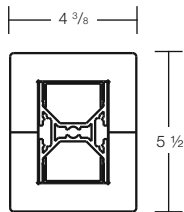
Round Platform is 3/4" thick phenolic core, with white surface and solid black edges.

### Specification Options

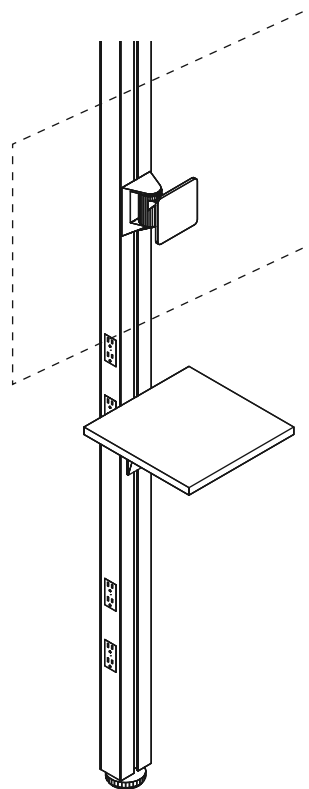
For cantilever shelf specify laminate (L) or veneer (V) in any core laminate or veneer finish. Cantilever support bracket is available in any Knoll core paint finish, Dark Red or Slate Blue. Ceiling tile trim kit is available in painted Silver (613) or Bright White (118T).



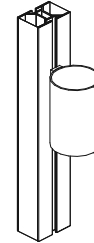
Detail of Ceiling Trim Mounted on Pole with Covers



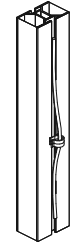
Section of Ceiling Trim and Pole with Covers



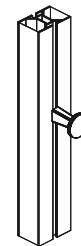
Slot Mount Sapper Sleeve Arm Mounted on Pole with Covers and Medium Range Outlets



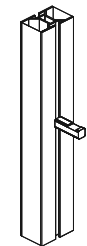
KnollExtra Accessory Cup



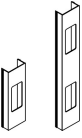



Cable Clip



Coat Hoak



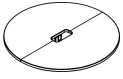
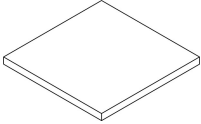
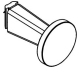
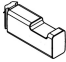
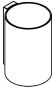

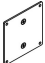
Bag Hook

description	type	w	d	h	pattern no.	AA	118T	list
Outlet Covers 	One opening	2"		6"	<b>IPOC6</b>	\$200.	\$208.	
	Two openings	2"		12"	<b>IPOC12</b>	216.	229.	
Cable Clips for Interpole 	Package of 50				<b>YR1BCC50</b>			271.
Internal Cable Clips 	Package of 10				<b>IPCC10</b>			13.
Ceiling Tile Trim 	For use with Interpole Poles with Covers				<b>IPCT</b>			74.
Extension Pole Extra Hardware Kit	For attaching additional extension pole segments				<b>IPEX</b>			205.

Ordering Information	Order Code	Included With	Options
<b>Antenna Outlet Cover</b> 1. Pattern Number 2. Finish	<b>Antenna Outlet Covers</b> <i>Example:</i> <b>IPOC12, 118T</b> <b>IPOC</b> Interpole Outlet Cover <b>12</b> Height <b>118T</b> Bright White Paint	<b>Antenna Outlet Covers</b> <b>Extension Pole Hardware Kit</b> (2) Splices (8) Screws	<b>Antenna Outlet Covers</b> <b>Finish Options:</b> (AA) = Anodized Aluminum (118T) = Bright White Paint
<b>Cantilever Shelf</b> 1. Pattern Number 2. Surface Finish 3. Bracket Paint Finish	<b>Cantilever Shelf</b> <i>Example:</i> <b>IPCS1212L, 118, 118T</b> <b>IP</b> Interpole <b>CS</b> Cantilever Shelf <b>12</b> Width <b>12</b> Depth <b>L</b> Laminate <b>118</b> Bright White Laminate <b>118T</b> Bright White Paint	<b>Cantilever Shelf</b> Bracket Attachment Hardware <b>Hooks and Accessory Cup</b> Attachment Hardware <b>Internal Cable Clips</b> (10) Cable Clips (10) Screws	<b>Ceiling Tile Trim</b> <b>Finish Options:</b> (613) = Silver (118T) = Bright White Paint <b>Cantilever Shelf</b> <b>Finish Options:</b> (L) Laminate (V) Veneer
<b>Hooks and Accessory Cup</b> 1. Pattern Number 2. Paint Finish			<b>Hooks and Accessory Cup</b> <b>Finish Options:</b> (111) Jet Black (115) Medium Grey (118) Bright White (130) Dark Red (131) Slate Blue

# Interpole Accessories

## Interpole Accessories

description	type	w	d	h	pattern no.	Laminate (L)	V1 (V)	V2 (V)	V3 (V)	list
Interpole Round Platform 	Interpole Slot Mount	30"	30"	3/4"	<b>IPPL30R</b>					\$1,486.
Cantilever Shelf 	Square 12x12 Interpole Slot Mount	12"	12"	3/4"	<b>IPCS1212( )</b>	164.	308.	354.	461.	
Coat Hook 	Interpole Slot Mount				<b>IPCH</b>					33.
Bag Hook 	Interpole Slot Mount				<b>IPBH</b>					31.
Accessory Cup 	KnollExtra™ Accessory Cup (see KnollExtra price list for details)				<b>ACT-CUP-IP</b>					82.
CPU Mounting Brackets with Adjustable Straps 	Interpole Slot Mount				<b>IPACPU</b>					239.
CPU Mounting Plate 	Interpole Slot Mount				<b>IPAVESA</b>					69.

### Ordering Information

#### Cantilever Shelf

1. Pattern Number
2. Surface Finish
3. Bracket Paint Finish

#### Hooks and Accessory Cup

1. Pattern Number
2. Paint Finish

### Order Code

#### Cantilever Shelf

*Example:* IPCS1212L, 118, 118T

<b>IP</b>	Interpole
<b>CS</b>	Cantilever Shelf
<b>12</b>	Width
<b>12</b>	Depth
<b>L</b>	Laminate
<b>118</b>	Bright White Laminate
<b>118T</b>	Bright White Paint

### Included With

#### Cantilever Shelf

Bracket  
Attachment Hardware

#### Hooks and Accessory Cup

Attachment Hardware

### Options

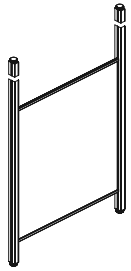
#### Cantilever Shelf

**Finish Options:**  
(L) Laminate  
(V) Veneer

#### Hooks and Accessory Cup

**Finish Options:**  
(111) Jet Black  
(115) Medium Grey  
(118) Bright White  
(130) Dark Red  
(131) Slate Blue

64"H Interpole Screens



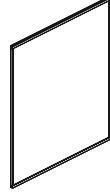
36" wide



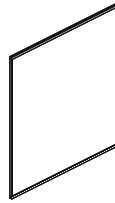
42" wide



48" wide

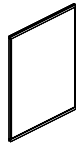
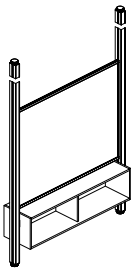


54" wide

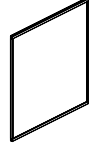


60" wide

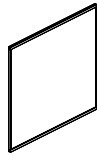
48"H Interpole Screens



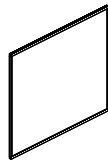
36" wide



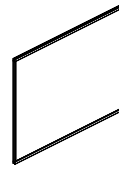
42" wide



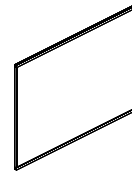
48" wide



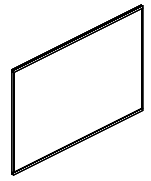
54" wide



60" wide

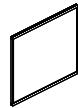
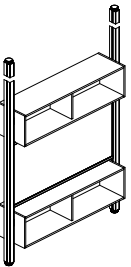


66" wide

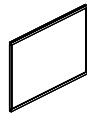


72" wide

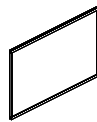
32"H Interpole Screens



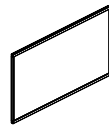
36" wide



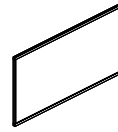
42" wide



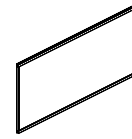
48" wide



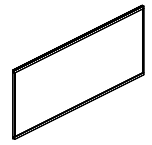
54" wide



60" wide

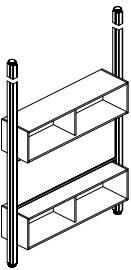


66" wide



72" wide

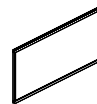
24"H Interpole Screens



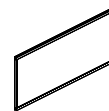
36" wide



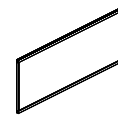
42" wide



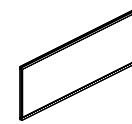
48" wide



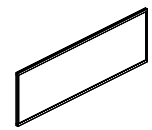
54" wide



60" wide

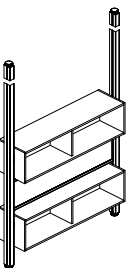


66" wide



72" wide

15"H Interpole Screens



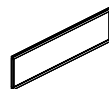
36" wide



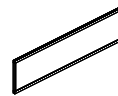
42" wide



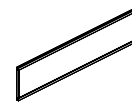
48" wide



54" wide



60" wide



66" wide



72" wide

### Interpole Screens

Interpole screens plan between poles to create a markerboard or tackable surface and to delineate the boundary of an activity space. Screens include a perimeter frame that mounts on each vertical side to the slot of an Interpole. Screens planned end to end can share an Interpole between them for support.

#### Screen surface options are:

- Markerboard laminate on both sides
- Markerboard laminate on one side with tackable fabric on the other
- Translucent laminated glass
- Opaque markerboard laminated glass.

Any standard Antenna screen fabric is standard on Antenna Interpole screens. Laminate and glass markerboard surfaces should only be used with dry-erase markers.

### Screen Planning Options

Interpole screens can be mounted at any height beginning 6" above the floor.

Interpole screens 64 1/2"H are typically mounted 10" above the floor to a horizon of 74 1/2" for boundary applications, or as high as 24" above the floor for most convenient access to marker tray in markerboard applications.

Interpole screens are available in every 6" increment of width from 36" to 60" between poles, aligning perfectly with corresponding Antenna Workspaces or other "full-module" desks or storage components. Screens plan full-module width plus 3" between centerlines of Poles.

Optional marker tray is deep enough to hold dry erase markers, erasers and pushpins on both faces of any type of screen. Marker tray includes a lip at the front edges aligning with the face of the poles. Marker tray is integral to the frame and can only be positioned at the bottom.

**Note** that screens utilize the side slot in which Sapper Monitor arms normally mount, so to mount a monitor to the face of a pole between two screens specify a "channel mount" version Sapper arm or sleeve mount.

### Construction

Screen frames and optional marker trays are extruded aluminum with a natural anodized or painted surface. Frames mount to poles with steel brackets and flexnuts.

Optional marker tray replaces the bottom frame element of screens without a marker tray.

Screen surface options are:

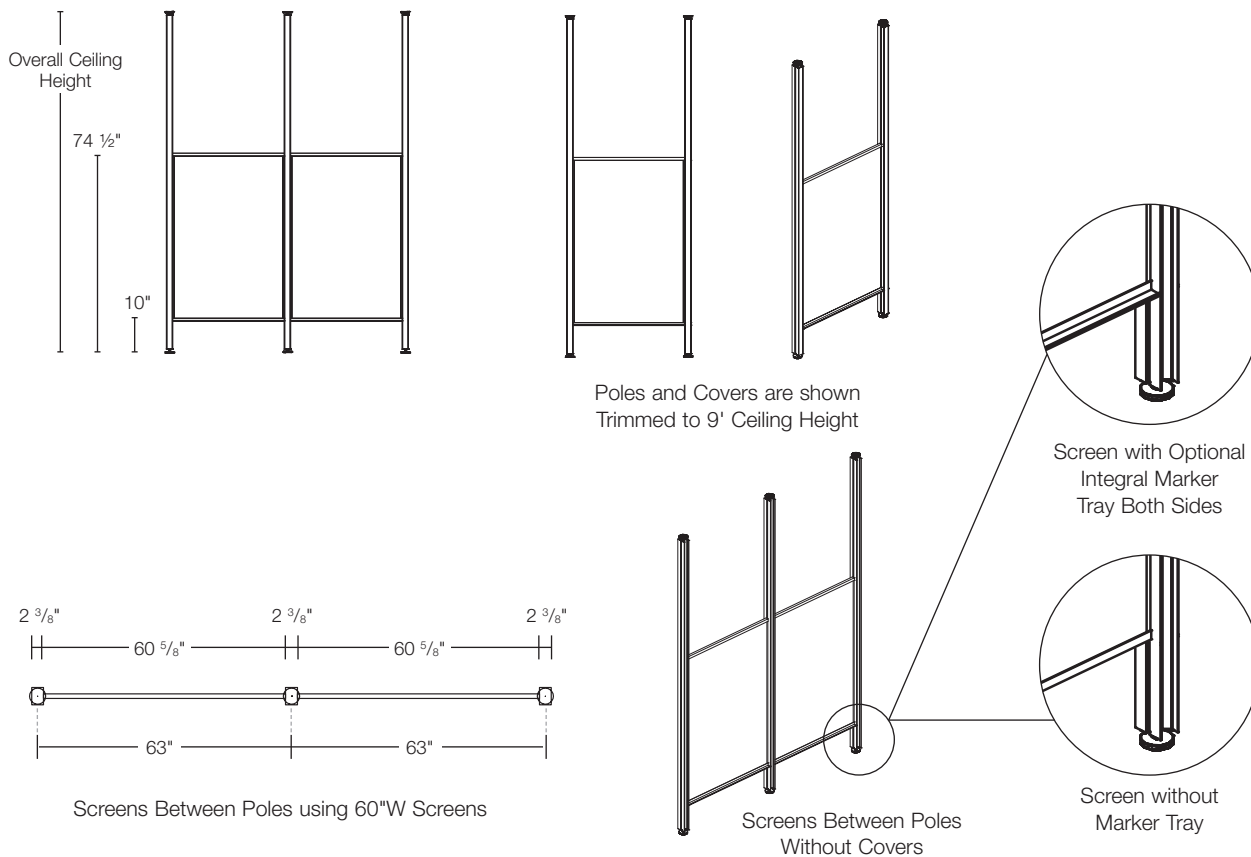
markerboard laminate on 3/4" fiberboard core, fabric on tackable 5/16" PET plus markerboard laminate on 3/8" fiberboard core with a paper backer, translucent laminated glass or opaque white laminated glass totaling 3/8" thickness and held in a frame with an ABS plastic extrusion.

#### Specification options

Screens are available with or without integral marker tray on both sides. Specify markerboard laminate both faces (LL), markerboard laminate one side, tackable fabric on the other (LF), opaque white laminated glass (GG) or translucent laminated glass (GT).

Specify natural anodized (AA) or Bright White (118) painted perimeter frame.

Specify Antenna screen fabric option.

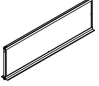
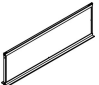
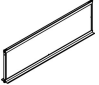




# Interpole Screens

## Markerboard Laminate or Glass

### 15" High

description	w	d	h	pattern no.	list
Screens Between Poles, 15"H Laminated Opaque Glass Both Sides  (IPSC1548TGG shown)	36"	15/16"	15"	IPSC1536(N/T)GG	\$1,885.
	42"	15/16"	15"	IPSC1542(N/T)GG	2,100.
	48"	15/16"	15"	IPSC1548(N/T)GG	2,280.
	54"	15/16"	15"	IPSC1554(N/T)GG	2,530.
	60"	15/16"	15"	IPSC1560(N/T)GG	2,710.
	66"	15/16"	15"	IPSC1566(N/T)GG	2,885.
	72"	15/16"	15"	IPSC1572(N/T)GG	3,260.
Screens Between Poles, 15"H Laminated Translucent Glass Both Sides  (IPSC1548TGG shown)	36"	15/16"	15"	IPSC1536(N/T)GT	1,720.
	42"	15/16"	15"	IPSC1542(N/T)GT	1,900.
	48"	15/16"	15"	IPSC1548(N/T)GT	2,055.
	54"	15/16"	15"	IPSC1554(N/T)GT	2,275.
	60"	15/16"	15"	IPSC1560(N/T)GT	2,430.
	66"	15/16"	15"	IPSC1566(N/T)GT	2,565.
	72"	15/16"	15"	IPSC1572(N/T)GT	2,925.
Screens Between Poles, 15"H Markerboard Laminate Both Sides  (IPSC1548TGG shown)	36"	15/16"	15"	IPSC1536(N/T)LL	1,178.
	42"	15/16"	15"	IPSC1542(N/T)LL	1,210.
	48"	15/16"	15"	IPSC1548(N/T)LL	1,220.
	54"	15/16"	15"	IPSC1554(N/T)LL	1,285.
	60"	15/16"	15"	IPSC1560(N/T)LL	1,294.
	66"	15/16"	15"	IPSC1566(N/T)LL	1,300.
	72"	15/16"	15"	IPSC1572(N/T)LL	1,480.

#### Order Information

- Interpole Screens**  
 1. Pattern Number  
 2. Frame Paint Finish

#### Order Code

Interpole Screens	
<i>Example:</i> IPSC1548TGT, 118T	
<b>IP</b>	Interpole
<b>SC</b>	Screen
<b>15</b>	Height
<b>48</b>	Width
<b>T</b>	Marker Tray
<b>GT</b>	Translucent Glass
<b>118T</b>	Bright White Paint

#### Included With

**Interpole Screens**  
 Attachment Hardware

#### Options

**Interpole Screens**  
 (N) = No Marker Tray  
 (T) = Integral Dual Marker Tray

**Finish Options:**  
 (LL) = Markerboard Laminate both sides  
 (GG) = Laminated Opaque Glass  
 (GT) = Laminated Translucent Glass  
 (LF) = Markerboard Laminate one side/Tackable Fabric other side

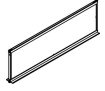
**Frame Finish:**  
 (AA) = Anodized Aluminum  
 (118T) = Bright White Paint

# Interpole Screens

## Markerboard/Tackable Fabric Combination

### 15" High

description	w	d	h	pattern no.	10	20	30	40	45
Screens Between Poles, 15"H	36"	15/16"	15"	<b>IPSC1536(N/T)LF</b>	\$1,205.	\$1,241.	\$1,265.	\$1,295.	\$1,326.
Markerboard Laminate One Side/ Tackable Fabric Opposite Side	42"	15/16"	15"	<b>IPSC1542(N/T)LF</b>	1,235.	1,272.	1,297.	1,328.	1,359.
	48"	15/16"	15"	<b>IPSC1548(N/T)LF</b>	1,248.	1,285.	1,310.	1,342.	1,373.
	54"	15/16"	15"	<b>IPSC1554(N/T)LF</b>	1,300.	1,339.	1,365.	1,398.	1,430.
	60"	15/16"	15"	<b>IPSC1560(N/T)LF</b>	1,310.	1,349.	1,376.	1,408.	1,441.
	66"	15/16"	15"	<b>IPSC1566(N/T)LF</b>	1,320.	1,360.	1,386.	1,419.	1,452.
	72"	15/16"	15"	<b>IPSC1572(N/T)LF</b>	1,455.	1,499.	1,528.	1,564.	1,601.



(IPSC1548TGG shown)

#### Order Information

- Interpole Screens**
1. Pattern Number
  2. Fabric Finish
  3. Frame Paint Finish

#### Order Code

Interpole Screens	
<i>Example:</i>	<b>IPSC1548TGT, 118T</b>
<b>IP</b>	Interpole
<b>SC</b>	Screen
<b>15</b>	Height
<b>48</b>	Width
<b>T</b>	Marker Tray
<b>GT</b>	Translucent Glass
<b>118T</b>	Bright White Paint

#### Included With

**Interpole Screens**  
Attachment Hardware

#### Options

**Interpole Screens**  
(N) = No Marker Tray  
(T) = Integral Dual Marker Tray

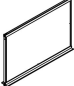
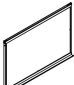
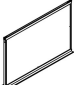
**Finish Options:**  
(LL) = Markerboard Laminate both sides  
(GG) = Laminated Opaque Glass  
(GT) = Laminated Translucent Glass  
(LF) = Markerboard Laminate one side/Tackable Fabric other side

**Frame Finish:**  
(AA) = Anodized Aluminum  
(118T) = Bright White Paint

# Interpole Screens

## Markerboard Laminate or Glass

### 24" High

description	w	d	h	pattern no.	list
Screens Between Poles, 24"H Laminated Opaque Glass Both Sides  <i>(IPSC2448TGG shown)</i>	36"	15/16"	24 1/4"	<b>IPSC2436(N/T)GG</b>	\$2,525.
	42"	15/16"	24 1/4"	<b>IPSC2442(N/T)GG</b>	2,835.
	48"	15/16"	24 1/4"	<b>IPSC2448(N/T)GG</b>	3,115.
	54"	15/16"	24 1/4"	<b>IPSC2454(N/T)GG</b>	3,460.
	60"	15/16"	24 1/4"	<b>IPSC2460(N/T)GG</b>	3,735.
	66"	15/16"	24 1/4"	<b>IPSC2466(N/T)GG</b>	4,015.
	72"	15/16"	24 1/4"	<b>IPSC2472(N/T)GG</b>	4,480.
Screens Between Poles, 24"H Laminated Translucent Glass Both Sides  <i>(IPSC2448TGG shown)</i>	36"	15/16"	24 1/4"	<b>IPSC2436(N/T)GT</b>	2,250.
	42"	15/16"	24 1/4"	<b>IPSC2442(N/T)GT</b>	2,510.
	48"	15/16"	24 1/4"	<b>IPSC2448(N/T)GT</b>	2,750.
	54"	15/16"	24 1/4"	<b>IPSC2454(N/T)GT</b>	3,045.
	60"	15/16"	24 1/4"	<b>IPSC2460(N/T)GT</b>	3,280.
	66"	15/16"	24 1/4"	<b>IPSC2466(N/T)GT</b>	3,510.
	72"	15/16"	24 1/4"	<b>IPSC2472(N/T)GT</b>	3,930.
Screens Between Poles, 24"H Markerboard Laminate Both Sides  <i>(IPSC2448TGG shown)</i>	36"	15/16"	24 1/4"	<b>IPSC2436(N/T)LL</b>	1,200.
	42"	15/16"	24 1/4"	<b>IPSC2442(N/T)LL</b>	1,238.
	48"	15/16"	24 1/4"	<b>IPSC2448(N/T)LL</b>	1,250.
	54"	15/16"	24 1/4"	<b>IPSC2454(N/T)LL</b>	1,320.
	60"	15/16"	24 1/4"	<b>IPSC2460(N/T)LL</b>	1,330.
	66"	15/16"	24 1/4"	<b>IPSC2466(N/T)LL</b>	1,342.
	72"	15/16"	24 1/4"	<b>IPSC2472(N/T)LL</b>	1,525.

#### Order Information

- Interpole Screens**  
1. Pattern Number  
2. Frame Paint Finish

#### Order Code

**Interpole Screens**

*Example:* **IPSC2448TGT, 118T**

<b>IP</b>	Interpole
<b>SC</b>	Screen
<b>24</b>	Height
<b>48</b>	Width
<b>T</b>	Marker Tray
<b>GT</b>	Translucent Glass
<b>118T</b>	Bright White Paint

#### Included With

**Interpole Screens**  
Attachment Hardware

#### Options

**Interpole Screens**  
(N) = No Marker Tray  
(T) = Integral Dual Marker Tray

**Finish Options:**  
(LL) = Markerboard Laminate both sides  
(GG) = Laminated Opaque Glass  
(GT) = Laminated Translucent Glass  
(LF) = Markerboard Laminate one side/Tackable Fabric other side

**Frame Finish:**  
(AA) = Anodized Aluminum  
(118T) = Bright White Paint

# Interpole Screens

## Markerboard/Tackable Fabric Combination

### 24" High

description	w	d	h	pattern no.	10	20	30	40	45
Screens Between Poles, 24"H	36"	15/16"	24 1/4"	<b>IPSC2436(N/T)LF</b>	\$1,262.	\$1,300.	\$1,325.	\$1,357.	\$1,388.
Markerboard Laminate One Side/ Tackable Fabric Opposite Side	42"	15/16"	24 1/4"	<b>IPSC2442(N/T)LF</b>	1,303.	1,342.	1,368.	1,401.	1,433.
	48"	15/16"	24 1/4"	<b>IPSC2448(N/T)LF</b>	1,320.	1,360.	1,386.	1,419.	1,452.
	54"	15/16"	24 1/4"	<b>IPSC2454(N/T)LF</b>	1,380.	1,421.	1,449.	1,484.	1,518.
	60"	15/16"	24 1/4"	<b>IPSC2460(N/T)LF</b>	1,405.	1,447.	1,475.	1,510.	1,546.
	66"	15/16"	24 1/4"	<b>IPSC2466(N/T)LF</b>	1,430.	1,473.	1,502.	1,537.	1,573.
	72"	15/16"	24 1/4"	<b>IPSC2472(N/T)LF</b>	1,562.	1,609.	1,640.	1,679.	1,718.



(IPSC2448TGG shown)

#### Order Information

- Interpole Screens**
1. Pattern Number
  2. Fabric Finish
  3. Frame Paint Finish

#### Order Code

Interpole Screens	
<i>Example:</i>	<b>IPSC2448TGT, 118T</b>
<b>IP</b>	Interpole
<b>SC</b>	Screen
<b>24</b>	Height
<b>48</b>	Width
<b>T</b>	Marker Tray
<b>GT</b>	Translucent Glass
<b>118T</b>	Bright White Paint

#### Included With

**Interpole Screens**  
Attachment Hardware

#### Options

**Interpole Screens**  
(N) = No Marker Tray  
(T) = Integral Dual Marker Tray

**Finish Options:**  
(LL) = Markerboard Laminate both sides  
(GG) = Laminated Opaque Glass  
(GT) = Laminated Translucent Glass  
(LF) = Markerboard Laminate one side/Tackable Fabric other side

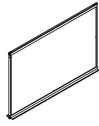
**Frame Finish:**  
(AA) = Anodized Aluminum  
(118T) = Bright White Paint

# Interpole Screens

## Markerboard Laminate or Glass

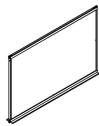
### 32" High

description	w	d	h	pattern no.	list
Screens Between Poles, 32"H Laminated Opaque Glass Both Sides	36"	15 <sup>1</sup> / <sub>16</sub> "	31 1/2"	<b>IPSC3236(N/T)GG</b>	\$3,025.
	42"	15 <sup>1</sup> / <sub>16</sub> "	31 1/2"	<b>IPSC3242(N/T)GG</b>	3,410.
	48"	15 <sup>1</sup> / <sub>16</sub> "	31 1/2"	<b>IPSC3248(N/T)GG</b>	3,760.
	54"	15 <sup>1</sup> / <sub>16</sub> "	31 1/2"	<b>IPSC3254(N/T)GG</b>	4,180.
	60"	15 <sup>1</sup> / <sub>16</sub> "	31 1/2"	<b>IPSC3260(N/T)GG</b>	4,540.
	66"	15 <sup>1</sup> / <sub>16</sub> "	31 1/2"	<b>IPSC3266(N/T)GG</b>	4,890.
	72"	15 <sup>1</sup> / <sub>16</sub> "	31 1/2"	<b>IPSC3272(N/T)GG</b>	5,430.



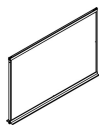
(IPSC3248TGG shown)

Screens Between Poles, 32"H Laminated Translucent Glass Both Sides	36"	15 <sup>1</sup> / <sub>16</sub> "	31 1/2"	<b>IPSC3236(N/T)GT</b>	2,660.
	42"	15 <sup>1</sup> / <sub>16</sub> "	31 1/2"	<b>IPSC3242(N/T)GT</b>	2,990.
	48"	15 <sup>1</sup> / <sub>16</sub> "	31 1/2"	<b>IPSC3248(N/T)GT</b>	3,280.
	54"	15 <sup>1</sup> / <sub>16</sub> "	31 1/2"	<b>IPSC3254(N/T)GT</b>	3,640.
	60"	15 <sup>1</sup> / <sub>16</sub> "	31 1/2"	<b>IPSC3260(N/T)GT</b>	3,940.
	66"	15 <sup>1</sup> / <sub>16</sub> "	31 1/2"	<b>IPSC3266(N/T)GT</b>	4,230.
	72"	15 <sup>1</sup> / <sub>16</sub> "	31 1/2"	<b>IPSC3272(N/T)GT</b>	4,720.



(IPSC3248TGG shown)

Screens Between Poles, 32"H Markerboard Laminate Both Sides	36"	15 <sup>1</sup> / <sub>16</sub> "	31 1/2"	<b>IPSC3236(N/T)LL</b>	1,218.
	42"	15 <sup>1</sup> / <sub>16</sub> "	31 1/2"	<b>IPSC3242(N/T)LL</b>	1,258.
	48"	15 <sup>1</sup> / <sub>16</sub> "	31 1/2"	<b>IPSC3248(N/T)LL</b>	1,275.
	54"	15 <sup>1</sup> / <sub>16</sub> "	31 1/2"	<b>IPSC3254(N/T)LL</b>	1,348.
	60"	15 <sup>1</sup> / <sub>16</sub> "	31 1/2"	<b>IPSC3260(N/T)LL</b>	1,361.
	66"	15 <sup>1</sup> / <sub>16</sub> "	31 1/2"	<b>IPSC3266(N/T)LL</b>	1,373.
	72"	15 <sup>1</sup> / <sub>16</sub> "	31 1/2"	<b>IPSC3272(N/T)LL</b>	1,560.



(IPSC3248TGG shown)

#### Order Information

- Interpole Screens**  
 1. Pattern Number  
 2. Frame Paint Finish

#### Order Code

Interpole Screens	
<i>Example:</i>	<b>IPSC3248TGT, 118T</b>
<b>IP</b>	Interpole
<b>SC</b>	Screen
<b>32</b>	Height
<b>48</b>	Width
<b>T</b>	Marker Tray
<b>GT</b>	Translucent Glass
<b>118T</b>	Bright White Paint

#### Included With

- Interpole Screens**  
 Attachment Hardware

#### Options

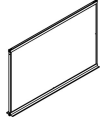
- Interpole Screens**  
 (N) = No Marker Tray  
 (T) = Integral Dual Marker Tray
- Finish Options:**  
 (LL) = Markerboard Laminate both sides  
 (GG) = Laminated Opaque Glass  
 (GT) = Laminated Translucent Glass  
 (LF) = Markerboard Laminate one side/Tackable Fabric other side
- Frame Finish:**  
 (AA) = Anodized Aluminum  
 (118T) = Bright White Paint

# Interpole Screens

## Markerboard/Tackable Fabric Combination

### 32" High

description	w	d	h	pattern no.	10	20	30	40	45
Screens Between Poles, 32"H	36"	15/16"	31 1/2"	<b>IPSC3236(N/T)LF</b>	\$1,312.	\$1,351.	\$1,378.	\$1,410.	\$1,443.
Markerboard Laminate One Side/ Tackable Fabric Opposite Side	42"	15/16"	31 1/2"	<b>IPSC3242(N/T)LF</b>	1,352.	1,393.	1,420.	1,453.	1,487.
	48"	15/16"	31 1/2"	<b>IPSC3248(N/T)LF</b>	1,380.	1,421.	1,449.	1,484.	1,518.
	54"	15/16"	31 1/2"	<b>IPSC3254(N/T)LF</b>	1,433.	1,476.	1,505.	1,540.	1,576.
	60"	15/16"	31 1/2"	<b>IPSC3260(N/T)LF</b>	1,450.	1,494.	1,523.	1,559.	1,595.
	66"	15/16"	31 1/2"	<b>IPSC3266(N/T)LF</b>	1,480.	1,524.	1,554.	1,591.	1,628.
	72"	15/16"	31 1/2"	<b>IPSC3272(N/T)LF</b>	1,640.	1,689.	1,722.	1,763.	1,804.



(IPSC3248TGG shown)

#### Order Information

- Interpole Screens**
1. Pattern Number
  2. Fabric Finish
  3. Frame Paint Finish

#### Order Code

Interpole Screens	
<i>Example:</i>	<b>IPSC3248TGT, 118T</b>
<b>IP</b>	Interpole
<b>SC</b>	Screen
<b>32</b>	Height
<b>48</b>	Width
<b>T</b>	Marker Tray
<b>GT</b>	Translucent Glass
<b>118T</b>	Bright White Paint

#### Included With

**Interpole Screens**  
Attachment Hardware

#### Options

**Interpole Screens**  
(N) = No Marker Tray  
(T) = Integral Dual Marker Tray

**Finish Options:**  
(LL) = Markerboard Laminate both sides  
(GG) = Laminated Opaque Glass  
(GT) = Laminated Translucent Glass  
(LF) = Markerboard Laminate one side/Tackable Fabric other side

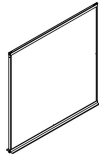
**Frame Finish:**  
(AA) = Anodized Aluminum  
(118T) = Bright White Paint

# Interpole Screens

## Markerboard Laminate or Glass

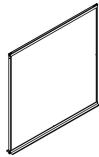
### 48" High

description	w	d	h	pattern no.	list
Screens Between Poles, 48"H Laminated Opaque Glass Both Sides	36"	15/16"	48"	<b>IPSC4836(N/T)GG</b>	\$4,290.
	42"	15/16"	48"	<b>IPSC4842(N/T)GG</b>	4,860.
	48"	15/16"	48"	<b>IPSC4848(N/T)GG</b>	5,390.
	54"	15/16"	48"	<b>IPSC4854(N/T)GG</b>	5,990.
	60"	15/16"	48"	<b>IPSC4860(N/T)GG</b>	6,530.
	66"	15/16"	48"	<b>IPSC4866(N/T)GG</b>	7,060.
	72"	15/16"	48"	<b>IPSC4872(N/T)GG</b>	7,790.



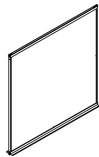
(IPSC4848TGG shown)

Screens Between Poles, 48"H Laminated Translucent Glass Both Sides	36"	15/16"	48"	<b>IPSC4836(N/T)GT</b>	3,720.
	42"	15/16"	48"	<b>IPSC4842(N/T)GT</b>	4,200.
	48"	15/16"	48"	<b>IPSC4848(N/T)GT</b>	4,640.
	54"	15/16"	48"	<b>IPSC4854(N/T)GT</b>	5,155.
	60"	15/16"	48"	<b>IPSC4860(N/T)GT</b>	5,600.
	66"	15/16"	48"	<b>IPSC4866(N/T)GT</b>	6,030.
	72"	15/16"	48"	<b>IPSC4872(N/T)GT</b>	6,670.



(IPSC4848TGG shown)

Screens Between Poles, 48"H Markerboard Laminate Both Sides	36"	15/16"	48"	<b>IPSC4836(N/T)LL</b>	1,308.
	42"	15/16"	48"	<b>IPSC4842(N/T)LL</b>	1,354.
	48"	15/16"	48"	<b>IPSC4848(N/T)LL</b>	1,378.
	54"	15/16"	48"	<b>IPSC4854(N/T)LL</b>	1,457.
	60"	15/16"	48"	<b>IPSC4860(N/T)LL</b>	1,476.
	66"	15/16"	48"	<b>IPSC4866(N/T)LL</b>	1,495.
	72"	15/16"	48"	<b>IPSC4872(N/T)LL</b>	1,690.



(IPSC4848TGG shown)

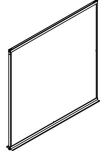
Order Information	Order Code	Included With	Options
<b>Interpole Screens</b> 1. Pattern Number 2. Frame Paint Finish	<b>Interpole Screens</b> <i>Example:</i> <b>IPSC4848TGT, 118T</b> <b>IP</b> Interpole <b>SC</b> Screen <b>48</b> Height <b>48</b> Width <b>T</b> Marker Tray <b>GT</b> Translucent Glass <b>118T</b> Bright White Paint	<b>Interpole Screens</b> Attachment Hardware	<b>Interpole Screens</b> (N) = No Marker Tray (T) = Integral Dual Marker Tray  <b>Finish Options:</b> (LL) = Markerboard Laminate both sides (GG) = Laminated Opaque Glass (GT) = Laminated Translucent Glass (LF) = Markerboard Laminate one side/Tackable Fabric other side  <b>Frame Finish:</b> (AA) = Anodized Aluminum (118T) = Bright White Paint

# Interpole Screens

## Markerboard/Tackable Fabric Combination

### 48" High

description	w	d	h	pattern no.	10	20	30	40	45
Screens Between Poles, 48"H	36"	15/16"	48"	<b>IPSC4836(N/T)LF</b>	\$1,450.	\$1,494.	\$1,523.	\$1,559.	\$1,595.
Markerboard Laminate One Side/ Tackable Fabric Opposite Side	42"	15/16"	48"	<b>IPSC4842(N/T)LF</b>	1,510.	1,555.	1,586.	1,623.	1,661.
	48"	15/16"	48"	<b>IPSC4848(N/T)LF</b>	1,535.	1,581.	1,612.	1,650.	1,689.
	54"	15/16"	48"	<b>IPSC4854(N/T)LF</b>	1,608.	1,656.	1,688.	1,729.	1,769.
	60"	15/16"	48"	<b>IPSC4860(N/T)LF</b>	1,625.	1,674.	1,706.	1,747.	1,788.
	66"	15/16"	48"	<b>IPSC4866(N/T)LF</b>	1,770.	1,823.	1,859.	1,903.	1,947.
	72"	15/16"	48"	<b>IPSC4872(N/T)LF</b>	1,918.	1,976.	2,014.	2,062.	2,110.



(IPSC4848TGG shown)

Order Information	Order Code	Included With	Options
<b>Interpole Screens</b> 1. Pattern Number 2. Fabric Finish 3. Frame Paint Finish	<b>Interpole Screens</b> <hr/> <i>Example:</i> <b>IPSC4848TGT, 118T</b> <hr/> <b>IP</b> Interpole <hr/> <b>SC</b> Screen <hr/> <b>48</b> Height <hr/> <b>48</b> Width <hr/> <b>T</b> Marker Tray <hr/> <b>GT</b> Translucent Glass <hr/> <b>118T</b> Bright White Paint	<b>Interpole Screens</b> Attachment Hardware	<b>Interpole Screens</b> (N) = No Marker Tray (T) = Integral Dual Marker Tray  <b>Finish Options:</b> (LL) = Markerboard Laminate both sides (GG) = Laminated Opaque Glass (GT) = Laminated Translucent Glass (LF) = Markerboard Laminate one side/Tackable Fabric other side  <b>Frame Finish:</b> (AA) = Anodized Aluminum (118T) = Bright White Paint

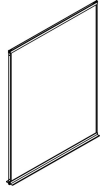


# Interpole Screens

## Markerboard Laminate or Glass

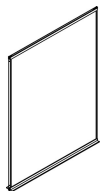
### 64" High

description	w	d	h	pattern no.	list
Screens Between Poles, 64"H Laminated Opaque Glass Both Sides	36"	15/16"	64.5"	<b>IPSC6436(N/T)GG</b>	\$4,356.
	42"	15/16"	64.5"	<b>IPSC6442(N/T)GG</b>	4,941.
	48"	15/16"	64.5"	<b>IPSC6448(N/T)GG</b>	5,489.
	54"	15/16"	64.5"	<b>IPSC6454(N/T)GG</b>	6,099.
	60"	15/16"	64.5"	<b>IPSC6460(N/T)GG</b>	6,663.



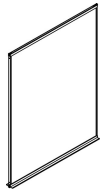
(IPSC6448TGG shown)

Screens Between Poles, 64"H Laminated Translucent Glass Both Sides	36"	15/16"	64.5"	<b>IPSC6436(N/T)GT</b>	3,752.
	42"	15/16"	64.5"	<b>IPSC6442(N/T)GT</b>	4,233.
	48"	15/16"	64.5"	<b>IPSC6448(N/T)GT</b>	4,689.
	54"	15/16"	64.5"	<b>IPSC6454(N/T)GT</b>	5,202.
	60"	15/16"	64.5"	<b>IPSC6460(N/T)GT</b>	5,663.



(IPSC6448TGG shown)

Screens Between Poles, 64"H Markerboard Laminate Both Sides	36"	15/16"	64.5"	<b>IPSC6436(N/T)LL</b>	1,368.
	42"	15/16"	64.5"	<b>IPSC6442(N/T)LL</b>	1,420.
	48"	15/16"	64.5"	<b>IPSC6448(N/T)LL</b>	1,445.
	54"	15/16"	64.5"	<b>IPSC6454(N/T)LL</b>	1,527.
	60"	15/16"	64.5"	<b>IPSC6460(N/T)LL</b>	1,553.



(IPSC6448TGG shown)

#### Order Information

- Interpole Screens**  
 1. Pattern Number  
 2. Frame Paint Finish

#### Order Code

Interpole Screens	
<i>Example:</i> <b>IPSC6448TGT, 118T</b>	
<b>IP</b>	Interpole
<b>SC</b>	Screen
<b>64</b>	Height
<b>48</b>	Width
<b>T</b>	Marker Tray
<b>GT</b>	Translucent Glass
<b>118T</b>	Bright White Paint

#### Included With

**Interpole Screens**  
 Attachment Hardware

#### Options

**Interpole Screens**  
 (N) = No Marker Tray  
 (T) = Integral Dual Marker Tray

**Finish Options:**  
 (LL) = Markerboard Laminate both sides  
 (GG) = Laminated Opaque Glass  
 (GT) = Laminated Translucent Glass  
 (LF) = Markerboard Laminate one side/Tackable Fabric other side

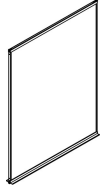
**Frame Finish:**  
 (AA) = Anodized Aluminum  
 (118T) = Bright White Paint

# Interpole Screens

## Markerboard/Tackable Fabric Combination

### 64" High

description	w	d	h	pattern no.	10	20	30	40	45
Screens Between Poles, 64"H	36"	15/16"	64.5"	<b>IPSC6436(N/T)LF</b>	\$1,568.	\$1,620.	\$1,648.	\$1,666.	\$1,768.
Markerboard Laminate One Side/ Tackable Fabric Opposite Side	42"	15/16"	64.5"	<b>IPSC6442(N/T)LF</b>	1,630.	1,679.	1,707.	1,724.	1,830.
	48"	15/16"	64.5"	<b>IPSC6448(N/T)LF</b>	1,681.	1,732.	1,759.	1,775.	1,881.
	54"	15/16"	64.5"	<b>IPSC6454(N/T)LF</b>	1,802.	1,850.	1,881.	1,896.	2,004.
	60"	15/16"	64.5"	<b>IPSC6460(N/T)LF</b>	1,825.	1,873.	1,901.	1,917.	2,024.



(IPSC6448TGG shown)

#### Order Information

- Interpole Screens**
1. Pattern Number
  2. Fabric Finish
  3. Frame Paint Finish

#### Order Code

Interpole Screens	
<i>Example:</i> <b>IPSC6448TGT, 118T</b>	
<b>IP</b>	Interpole
<b>SC</b>	Screen
<b>64</b>	Height
<b>48</b>	Width
<b>T</b>	Marker Tray
<b>GT</b>	Translucent Glass
<b>118T</b>	Bright White Paint

#### Included With

**Interpole Screens**  
Attachment Hardware

#### Options

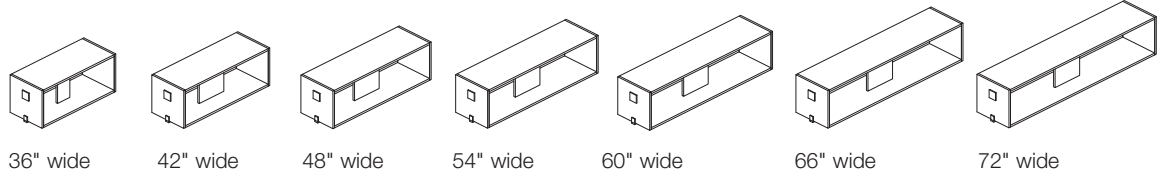
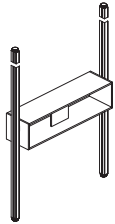
**Interpole Screens**  
(N) = No Marker Tray  
(T) = Integral Dual Marker Tray

**Finish Options:**  
(LL) = Markerboard Laminate both sides  
(GG) = Laminated Opaque Glass  
(GT) = Laminated Translucent Glass  
(LF) = Markerboard Laminate one side/Tackable Fabric other side

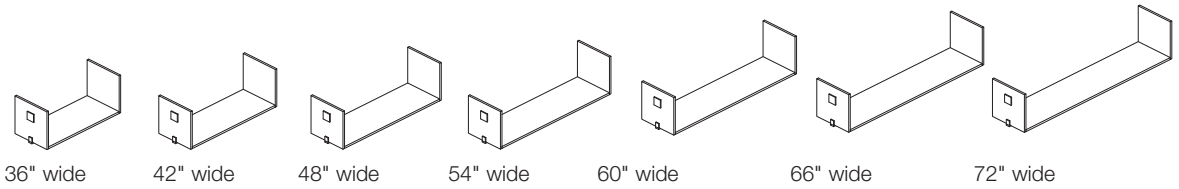
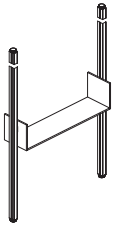
**Frame Finish:**  
(AA) = Anodized Aluminum  
(118T) = Bright White Paint

**Horizontal Wood Open Cabinets**

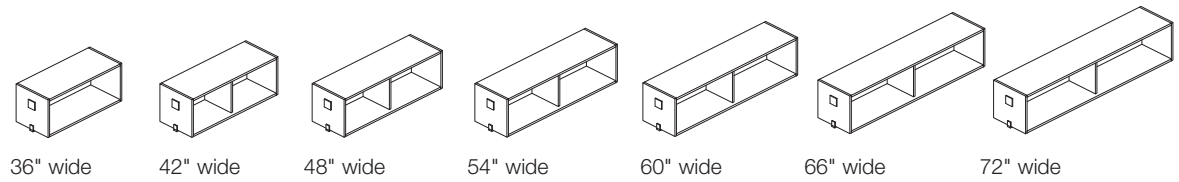
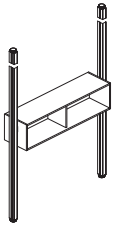
Interpole Open Shelf



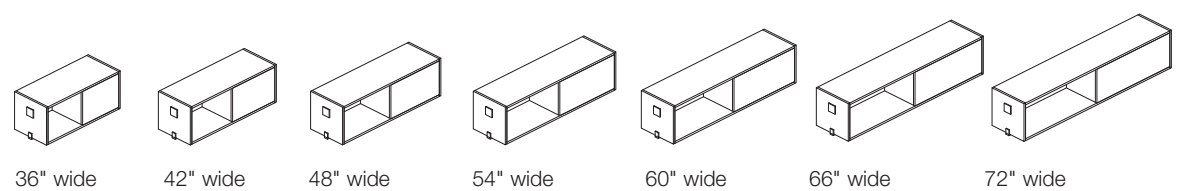
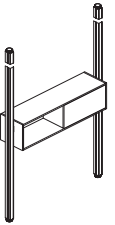
Interpole Open Shelf with Bookends



Interpole Open Shelf with Enclosed Back

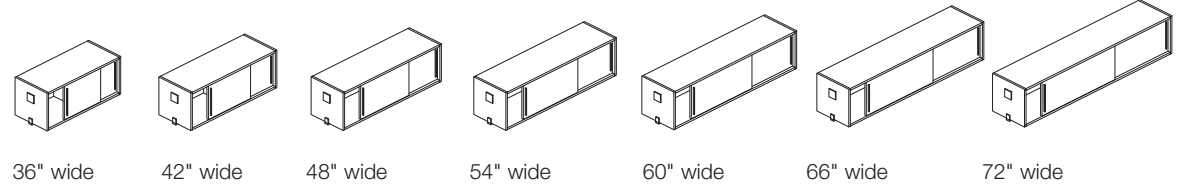
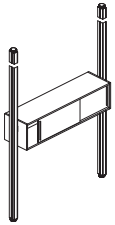


Interpole Shared Open Front with Enclosed Back

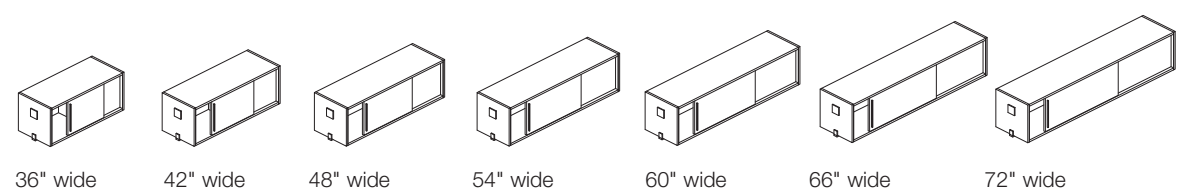
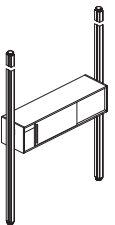


**Horizontal Wood Enclosed Cabinets**

Interpole Sliding Door Cabinet



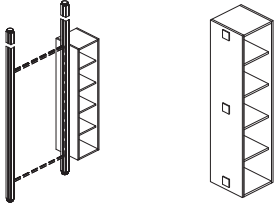
Interpole Shared Sliding Door Cabinet



---

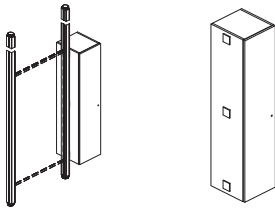
**Vertical Wood Open Cabinets**

Interpole Vertical Cabinet, Open with Four Shelves

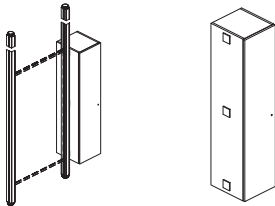


**Vertical Wood Enclosed Cabinets**

Interpole Vertical Cabinet, Door with Four Shelves



Interpole Vertical Cabinet, Wardrobe



### Interpole Horizontal Open Cabinets

Interpole horizontal open cabinets mount at any height between two poles to provide storage that supports and defines workstations, offices or activity spaces. Open cabinets are available in four configurations: open shelf, open shelf with bookends, open shelf with enclosed back, and shared open front with enclosed back. All open horizontal cabinets are available in 36", 42", 48", 54", 60", 66" and 72" widths.

Interpole cabinets include mounting kit and hardware to secure case between two poles. Mounting kit includes two L-brackets, two  $\frac{15}{16}$ " thick dove-tail spacers and inserts and a horizontal steel stiffener.

Open shelf cabinets have a center partition parallel to the open front and back that provides structural support and serves to filter sightlines through the cabinet. Cabinets 36"W have a 6" wide center panel, cabinets 42" and wider have a 12" wide center panel. Support panel and all interior surfaces can be specified in a different laminate than exterior surfaces.

Open shelf with bookends includes a bottom shelf and two vertical side gables. The exterior surfaces include the inside of gables and top of shelf. Exterior surfaces can be specified in any Knoll core laminate or veneer.

Open shelf with enclosed back includes a full back, recessed  $\frac{1}{2}$ " for option fabric insert, specified separately. Both sides of recessed backs are considered interior surfaces, if specifying two-tone laminate finishes.

Shared open front with enclosed back cabinets include flush backs. The exterior face of flush backs will match the exterior core laminate finish.

All Interpole horizontal cabinets are 15"H x 15  $\frac{5}{8}$ "D, with 13  $\frac{1}{2}$ " clear interior height for binder storage. Cabinet sides, top and bottom are  $\frac{3}{4}$ " thick, in laminate or veneer, or a combination of laminates.

Interpole horizontal cabinets plan with a 1  $\frac{1}{2}$ " high gap between the top shelf of the lower cabinet and the bottom shelf of the cabinet above. The  $\frac{1}{2}$ " high horizontal stiffener on the underside of a cabinet is located within the 1  $\frac{1}{2}$ " high spacing between cabinets.

### Construction

Case is composed of  $\frac{3}{4}$ " thick wood panels, with discreet glue-and-dowel connections.

Case mounts between poles with two cast aluminum spacers and inserts, two cast aluminum L-brackets, one horizontal stiffener rail and flex nuts. Horizontal shelf stiffener is a bent steel tube.

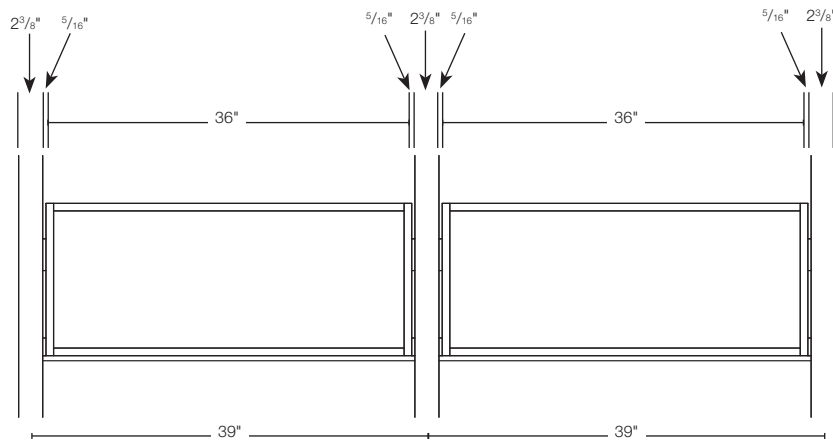
### Specification Options

Specify laminate (L), "mixed" two-tone laminate (L) or veneer (V) case.

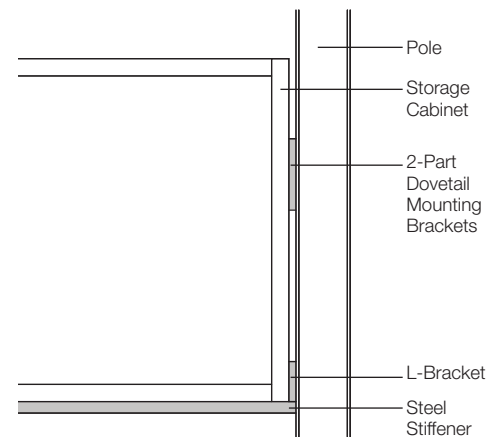
Case finish exterior is available in any Knoll core laminate or veneer. When the case exterior is laminate, case interior and inset back are available in any Knoll Core or Accent laminate. When an Accent laminate is specified, the edgeband will match the exterior core laminate finish.

Mounting brackets are available in any Knoll Core paint finish, Dark Red or Slate Blue.

Specify optional fabric inserts separately.



Interpole Mounted Open Shelf with Enclosed Back Front Elevation



Detail of Interpole Horizontal Cabinet Mounting Hardware

### Interpole Horizontal Enclosed Cabinets

Interpole horizontal enclosed wood cabinets mount at any level between two poles to provide storage that supports and defines workstations, offices or activity spaces. Enclosed cabinets are available in two configurations: sliding door cabinet case with overlapping sliding doors or shared sliding door cabinets. All enclosed horizontal cabinets are available in 36", 42", 48", 54", 60", 66" and 72" widths.

Interpole cabinets include mounting kit and hardware to secure case between two poles. Mounting kit includes two L-brackets, two  $\frac{15}{16}$ " thick dove-tail spacers and inserts, and a horizontal steel stiffener.

Sliding door cabinets with overlapping sliding doors have two half-width doors, in laminate or veneer surface and a full back, recessed  $\frac{1}{2}$ " for optional fabric insert, specified separately. Sliding door cabinets include a center partition for structure.

Shared sliding door cabinets have a sliding door on each face overlapping the recessed back of the cabinet facing the other side. Cabinets can be specified with both openings on the left or both on the right side.

Enclosed Interpole cabinets can be specified in all laminate or veneer or mixed surface laminate: all interior surfaces of laminate cabinet can be specified in a contrasting core or accent laminate. Partition and inset back are considered interior surfaces on both faces.

All Interpole horizontal cabinets are 15"H x 15  $\frac{5}{8}$ "D, with 13  $\frac{1}{2}$ " clear interior height for binder storage. Cabinet sides, top and bottom are  $\frac{3}{4}$ " thick, in laminate or veneer, or a combination of laminates.

Interpole horizontal cabinets plan with a 1  $\frac{1}{2}$ " high gap between the top shelf of the lower cabinet and the bottom shelf of the cabinet above. The  $\frac{1}{2}$ " high horizontal stiffener on the underside of a cabinet is located within the 1  $\frac{1}{2}$ " high spacing between cabinets.

### Construction

Case is composed of  $\frac{3}{4}$ " thick wood panels, with discreet glue-and-dowel connections.

Case mounts between poles with two cast aluminum spacers and inserts, two cast aluminum L-brackets, one horizontal stiffener rail and flex nuts. Horizontal shelf stiffener is a bent steel tube.

### Specification Options

Specify laminate (L), "mixed" two-tone laminate (L) or veneer (V) case.

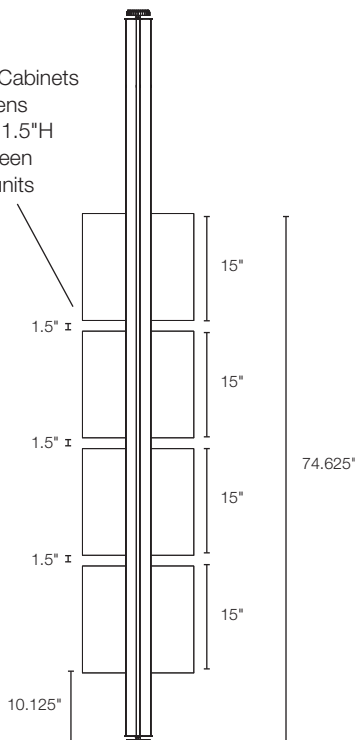
Case finish exterior is available in any Knoll core laminate or veneer. When the case exterior is laminate, case interior and inset back are available in any Knoll Core or Accent laminate. When an Accent laminate is specified, the edgeband will match the exterior core laminate finish.

Door sets are specified separately to enable any combination of wood or laminate case and doors. Specify door front sets in any Knoll Core laminate (L) or veneer (V).

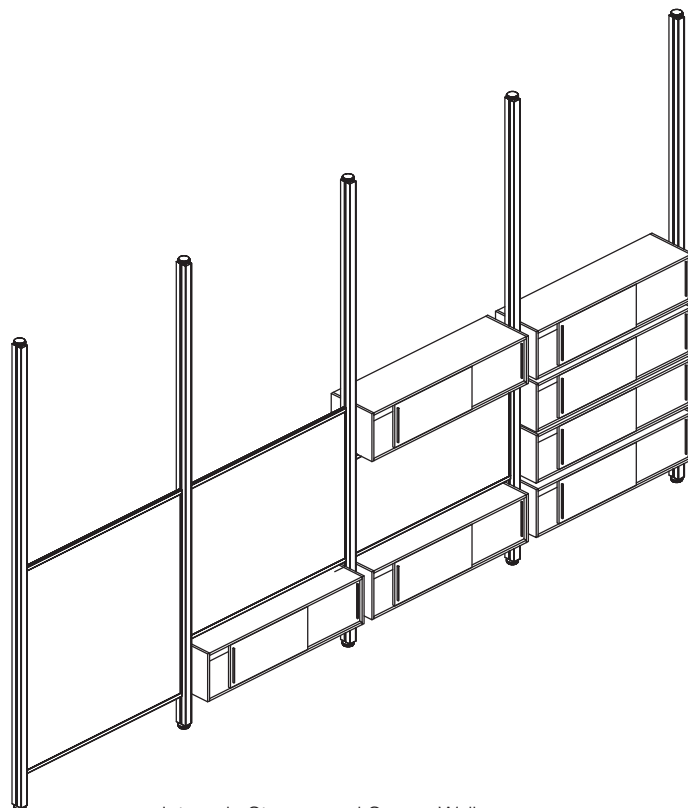
Pulls and mounting brackets are available in any Knoll Core paint finish, Dark Red or Slate Blue.

Specify optional fabric inserts separately.

Interpole Cabinets and Screens plan with 1.5"H gap between stacked units

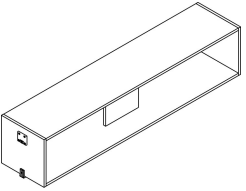
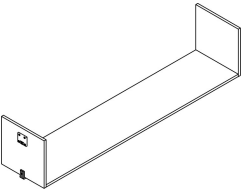
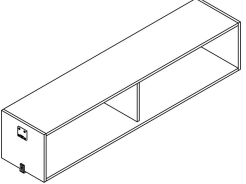


Interpole Storage Wall End Elevation



Interpole Storage and Screen Wall

# Interpole Horizontal Wood Storage For Mounting Between Two Poles Open Cabinets

description	w	d	h	pattern no.	All Same Laminate (Core Lam.) (L)	Different Laminate Case/Interior (Core Lam.) (L)	Different Laminate Case/Interior (Accent Lam.) (L)	V1 (V)	V2 (V)	V3 (V)
 <p>Interpole Open Shelf</p>	36"	15 <sup>5</sup> / <sub>8</sub> "	15"	<b>IPSOS3615()</b>	\$1,547.	\$1,686.	\$2,187.	\$2,187.	\$2,493.	\$3,077.
	42"	15 <sup>5</sup> / <sub>8</sub> "	15"	<b>IPSOS4215()</b>	1,574.	1,748.	2,285.	2,285.	2,605.	3,217.
	48"	15 <sup>5</sup> / <sub>8</sub> "	15"	<b>IPSOS4815()</b>	1,684.	1,834.	2,408.	2,408.	2,742.	3,383.
	54"	15 <sup>5</sup> / <sub>8</sub> "	15"	<b>IPSOS5415()</b>	1,761.	1,916.	2,467.	2,467.	2,805.	3,522.
	60"	15 <sup>5</sup> / <sub>8</sub> "	15"	<b>IPSOS6015()</b>	1,837.	1,997.	2,526.	2,526.	2,869.	3,661.
	66"	15 <sup>5</sup> / <sub>8</sub> "	15"	<b>IPSOS6615()</b>	1,894.	2,060.	2,669.	2,669.	3,035.	3,876.
	72"	15 <sup>5</sup> / <sub>8</sub> "	15"	<b>IPSOS7215()</b>	1,952.	2,124.	2,813.	2,813.	3,200.	4,090.
 <p>Interpole Open Shelf with Bookends</p>	36"	15 <sup>5</sup> / <sub>8</sub> "	15"	<b>IPSOB3615()</b>	1,044.	n/a	n/a	1,515.	1,741.	2,045.
	42"	15 <sup>5</sup> / <sub>8</sub> "	15"	<b>IPSOB4215()</b>	1,057.	n/a	n/a	1,530.	1,760.	2,065.
	48"	15 <sup>5</sup> / <sub>8</sub> "	15"	<b>IPSOB4815()</b>	1,131.	n/a	n/a	1,608.	1,849.	2,171.
	54"	15 <sup>5</sup> / <sub>8</sub> "	15"	<b>IPSOB5415()</b>	1,284.	n/a	n/a	1,765.	2,031.	2,383.
	60"	15 <sup>5</sup> / <sub>8</sub> "	15"	<b>IPSOB6015()</b>	1,595.	n/a	n/a	2,090.	2,404.	2,821.
	66"	15 <sup>5</sup> / <sub>8</sub> "	15"	<b>IPSOB6615()</b>	1,741.	n/a	n/a	2,241.	2,577.	3,025.
	72"	15 <sup>5</sup> / <sub>8</sub> "	15"	<b>IPSOB7215()</b>	1,794.	n/a	n/a	2,255.	2,593.	3,044.
 <p>Interpole Open Shelf with Enclosed Back</p>	36"	15 <sup>5</sup> / <sub>8</sub> "	15"	<b>IPSOE3615()</b>	1,589.	1,743.	2,204.	2,255.	2,511.	3,126.
	42"	15 <sup>5</sup> / <sub>8</sub> "	15"	<b>IPSOE4215()</b>	1,640.	1,794.	2,306.	2,358.	2,665.	3,229.
	48"	15 <sup>5</sup> / <sub>8</sub> "	15"	<b>IPSOE4815()</b>	1,691.	1,845.	2,409.	2,460.	2,829.	3,434.
	54"	15 <sup>5</sup> / <sub>8</sub> "	15"	<b>IPSOE5415()</b>	1,845.	1,948.	2,563.	2,665.	3,075.	3,690.
	60"	15 <sup>5</sup> / <sub>8</sub> "	15"	<b>IPSOE6015()</b>	2,050.	2,255.	2,870.	3,024.	3,485.	4,151.
	66"	15 <sup>5</sup> / <sub>8</sub> "	15"	<b>IPSOE6615()</b>	2,101.	2,306.	2,973.	3,075.	3,536.	4,254.
	72"	15 <sup>5</sup> / <sub>8</sub> "	15"	<b>IPSOE7215()</b>	2,153.	2,358.	3,075.	3,126.	3,588.	4,305.

## Ordering Information

### Interpole Open Shelf

1. Pattern Number
2. Exterior Case Finish
3. Interior Case Finish (Laminate only)
4. Bracket Paint Finish

## Order Code

### Interpole Open Shelf

*Example:* **IPSOS6015L, 118, 118, 118T**

<b>IPS</b>	Interpole Storage
<b>OS</b>	Open Shelf
<b>60</b>	Width
<b>15</b>	Depth
<b>L</b>	Laminate
<b>118</b>	Bright White Laminate
<b>118</b>	Bright White Laminate
<b>118T</b>	Bright White Paint

## Included With

### Interpole Open Shelf

Mounting Brackets  
Hardware

## Options

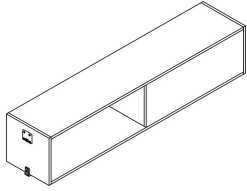
### Interpole Open Shelf

#### Case Finish Options:

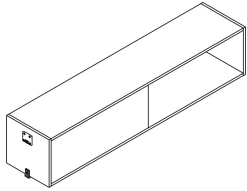
(L) = All the same or different laminates for the exterior and interior case  
(V) = All the same veneer for the exterior and interior case

# Interpole Horizontal Wood Storage For Mounting Between Two Poles Shared Open Cabinets

description	w	d	h	pattern no.	All Same	Different	Different	V1	V2	V3
					Laminate (Core Lam) (L)	Laminate Case/Interior (Core Lam.) (L)	Laminate Case/Interior (Accent Lam.) (L)			
Interpole Shared Open Front with Enclosed Back, Open on Left	36"	15 5/8"	15"	<b>IPSSOEL3615()</b>	\$1,589.	\$1,743.	\$2,204.	\$2,460.	\$2,768.	\$3,382.
	42"	15 5/8"	15"	<b>IPSSOEL4215()</b>	1,640.	1,794.	2,306.	2,511.	2,819.	3,536.
	48"	15 5/8"	15"	<b>IPSSOEL4815()</b>	1,691.	1,845.	2,409.	2,563.	2,921.	3,690.
	54"	15 5/8"	15"	<b>IPSSOEL5415()</b>	1,845.	1,999.	2,563.	2,716.	3,075.	3,946.
	60"	15 5/8"	15"	<b>IPSSOEL6015()</b>	2,050.	2,306.	2,870.	3,075.	3,588.	4,356.
	66"	15 5/8"	15"	<b>IPSSOEL6615()</b>	2,101.	2,460.	2,973.	3,178.	3,639.	4,510.
	72"	15 5/8"	15"	<b>IPSSOEL7215()</b>	2,153.	2,511.	3,075.	3,229.	3,690.	4,613.



Interpole Shared Open Front with Enclosed Back, Open on Right	36"	15 5/8"	15"	<b>IPSSOER3615()</b>	1,589.	1,743.	2,204.	2,460.	2,768.	3,383.
	42"	15 5/8"	15"	<b>IPSSOER4215()</b>	1,640.	1,794.	2,306.	2,511.	2,819.	3,536.
	48"	15 5/8"	15"	<b>IPSSOER4815()</b>	1,691.	1,845.	2,409.	2,563.	2,921.	3,690.
	54"	15 5/8"	15"	<b>IPSSOER5415()</b>	1,845.	1,999.	2,563.	2,716.	3,075.	3,946.
	60"	15 5/8"	15"	<b>IPSSOER6015()</b>	2,050.	2,306.	2,870.	3,075.	3,588.	4,356.
	66"	15 5/8"	15"	<b>IPSSOER6615()</b>	2,101.	2,460.	2,973.	3,178.	3,639.	4,510.
	66"	15 5/8"	15"	<b>IPSSOER7215()</b>	2,153.	2,511.	3,075.	3,229.	3,690.	4,613.



## Ordering Information

### Interpole Shared Open Shelf

1. Pattern Number
2. Exterior Case Finish
3. Interior Case Finish (Laminate only)
4. Bracket Paint Finish

## Order Code

### Interpole Open Shelf

*Example:* **IPSSOEL6015L, 118, 118, 118T**

<b>IPS</b>	Interpole Storage
<b>SOEL</b>	Shared Open Shelf, Open Left
<b>60</b>	Width
<b>15</b>	Depth
<b>L</b>	Laminate
<b>118</b>	Bright White Laminate
<b>118</b>	Bright White Laminate
<b>118T</b>	Bright White Paint

## Included With

### Interpole Shared Open Shelf

Mounting Brackets  
Hardware

## Options

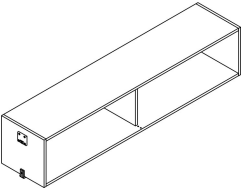
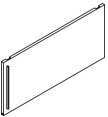
### Interpole Shared Open Shelf

#### Case Finish Options:

(L) = All the same or different laminates for the exterior and interior case  
(V) = All the same veneer for the exterior and interior case



# Interpole Horizontal Wood Storage For Mounting Between Two Poles Sliding Door Cabinets

description	w	d	h	pattern no.	All Same	Different	Different	V1	V2	V3
					Laminate	Laminate	Laminate			
					(Core Lam)	(Core Lam.)	(Accent Lam.)	(V)	(V)	(V)
					(L)	(L)	(L)			
Interpole Sliding Door Cabinet Case 	36"	15 3/8"	15"	<b>IPSSD3615( )</b>	\$1,825.	\$1,993.	\$2,576.	\$2,576.	\$2,939.	\$3,635.
	42"	15 3/8"	15"	<b>IPSSD4215( )</b>	1,881.	2,053.	2,672.	2,672.	3,050.	3,774.
	48"	15 3/8"	15"	<b>IPSSD4815( )</b>	1,962.	2,140.	2,794.	2,794.	3,187.	3,940.
	54"	15 3/8"	15"	<b>IPSSD5415( )</b>	2,043.	2,226.	2,889.	2,889.	3,257.	4,100.
	60"	15 3/8"	15"	<b>IPSSD6015( )</b>	2,124.	2,358.	3,126.	3,126.	3,588.	4,408.
	66"	15 3/8"	15"	<b>IPSSD6615( )</b>	2,181.	2,511.	3,229.	3,229.	3,690.	4,561.
	72"	15 3/8"	15"	<b>IPSSD7215( )</b>	2,239.	2,563.	3,331.	3,331.	3,741.	4,664.
Sliding Door Set for Interpole Sliding Door Cabinet Case 	36"	3/4"	15"	<b>IPSSDK36( )</b>	563.	n/a	n/a	883.	1,015.	1,269.
	42"	3/4"	15"	<b>IPSSDK42( )</b>	613.	n/a	n/a	910.	1,048.	1,309.
	48"	3/4"	15"	<b>IPSSDK48( )</b>	663.	n/a	n/a	929.	1,067.	1,427.
	54"	3/4"	15"	<b>IPSSDK54( )</b>	699.	n/a	n/a	979.	1,128.	1,450.
	60"	3/4"	15"	<b>IPSSDK60( )</b>	717.	n/a	n/a	1,003.	1,158.	1,509.
	66"	3/4"	15"	<b>IPSSDK66( )</b>	755.	n/a	n/a	1,062.	1,220.	1,590.
	72"	3/4"	15"	<b>IPSSDK72( )</b>	775.	n/a	n/a	1,091.	1,251.	1,630.

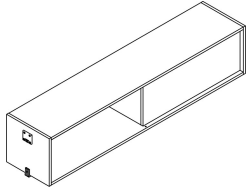
Ordering Information	Order Code	Included With	Options
<b>Interpole Shared Open Shelf</b>	<b>Interpole Shared Open Shelf</b>	<b>Interpole Shared Open Shelf</b>	<b>Interpole Shared Open Shelf</b>
1. Pattern Number	<i>Example:</i> <b>IPSSOEL6015L, 118, 118T</b>	Mounting Brackets	<b>Case Finish Options:</b>
2. Exterior Case Finish	<b>IPS</b> Interpole Storage	Hardware	(L) = All the same or different laminates for the exterior and interior case
3. Interior Case Finish (Laminate only)	<b>SOEL</b> Shared Open Shelf, Open Left	<b>Sliding Doors</b>	(V) = All the same veneer for the exterior and interior case
4. Bracket Paint Finish	<b>60</b> Width	Hardware	<b>Sliding Doors</b>
<b>Sliding Doors</b>	<b>15</b> Depth		<b>Door Finish Option:</b>
1. Pattern Number	<b>L</b> Laminate		(L) = Laminate
2. Door Finish	<b>118</b> Bright White Laminate		(V) = Veneer
3. Pull Finish	<b>118</b> Bright White Laminate		Door pulls are available in Knoll core paints, Dark Red (130) and Slate Blue (131) paint finishes.
	<b>118T</b> Bright White Paint		
	<b>Sliding Doors</b>		
	<i>Example:</i> <b>IPSSDK60L 118, 118T</b>		
	<b>IPS</b> Interpole Storage		
	<b>SDK</b> Sliding Door Kit		
	<b>60</b> Width		
	<b>L</b> Laminate		
	<b>118</b> Bright White Laminate		
	<b>118T</b> Bright White Paint		

# Interpole Horizontal Wood Storage

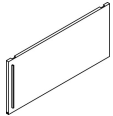
## For Mounting Between Two Poles

### Shared Sliding Door Cabinets with Opening on Left

description	w	d	h	pattern no.	All Same	Different	Different	V1	V2	V3
					Laminate (Core Lam.) (L)	Case/ Interior (Core Lam.) (L)	Laminate Case/Interior (Accent Lam.) (L)			
Interpole Shared Sliding Door Cabinet Case, Opening on Left	36"	15 5/8"	15"	<b>IPSSSDL3615( )</b>	\$1,760.	\$1,920.	\$2,792.	\$2,792.	\$3,188.	\$4,099.
	42"	15 5/8"	15"	<b>IPSSSDL4215( )</b>	1,818.	1,983.	2,851.	2,851.	3,254.	4,184.
	48"	15 5/8"	15"	<b>IPSSSDL4815( )</b>	1,900.	2,009.	2,934.	2,934.	3,346.	4,297.
	54"	15 5/8"	15"	<b>IPSSSDL5415( )</b>	2,156.	2,320.	3,131.	3,131.	3,420.	4,579.
	60"	15 5/8"	15"	<b>IPSSSDL6015( )</b>	2,411.	2,629.	3,328.	3,328.	3,794.	4,861.
	66"	15 5/8"	15"	<b>IPSSSDL6615( )</b>	2,468.	2,692.	3,443.	3,443.	3,926.	5,033.
	72"	15 5/8"	15"	<b>IPSSSDL7215( )</b>	2,526.	2,754.	3,558.	3,558.	4,057.	5,204.



description	w	d	h	pattern no.				V1	V2	V3
	42"	3/4"	15"	<b>IPSSDKL42( )</b>	660.	n/a	n/a	917.	1,056.	1,372.
	48"	3/4"	15"	<b>IPSSDKL48( )</b>	689.	n/a	n/a	947.	1,089.	1,416.
	54"	3/4"	15"	<b>IPSSDKL54( )</b>	699.	n/a	n/a	979.	1,128.	1,450.
	60"	3/4"	15"	<b>IPSSDKL60( )</b>	718.	n/a	n/a	1,003.	1,158.	1,509.
	66"	3/4"	15"	<b>IPSSDKL66( )</b>	755.	n/a	n/a	1,062.	1,220.	1,590.
	72"	3/4"	15"	<b>IPSSDKL72( )</b>	775.	n/a	n/a	1,091.	1,251.	1,630.



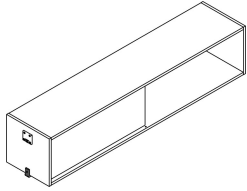
Ordering Information	Order Code	Included With	Options
<b>Interpole Shared Open Shelf</b> 1. Pattern Number 2. Exterior Case Finish 3. Interior Case Finish (Laminate only) 4. Bracket Paint Finish  <b>Sliding Doors</b> 1. Pattern Number 2. Door Finish 3. Pull Finish	<b>Interpole Shared Open Shelf</b>  <i>Example:</i> <b>IPSSOEL6015L, 118, 118T</b>  <b>IPS</b> Interpole Storage <b>SOEL</b> Shared Open Shelf, Open Left  <b>60</b> Width <b>15</b> Depth <b>L</b> Laminate <b>118</b> Bright White Laminate <b>118</b> Bright White Laminate <b>118T</b> Bright White Paint  <b>Sliding Doors</b> <i>Example:</i> <b>IPSSDK60L 118, 118T</b> <b>IPS</b> Interpole Storage <b>SDK</b> Sliding Door Kit <b>60</b> Width <b>L</b> Laminate <b>118</b> Bright White Laminate <b>118T</b> Bright White Paint	<b>Interpole Shared Open Shelf</b>  Mounting Brackets Hardware  <b>Sliding Doors</b>  Hardware	<b>Interpole Shared Open Shelf</b>  <b>Case Finish Options:</b> (L) = All the same or different laminates for the exterior and interior case (V) = All the same veneer for the exterior and interior case  <b>Sliding Doors</b>  <b>Door Finish Option:</b> (L) = Laminate (V) = Veneer  Door pulls are available in Knoll core paints, Dark Red (130) and Slate Blue (131) paint finishes.

# Interpole Horizontal Wood Storage

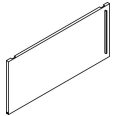
## For Mounting Between Two Poles

### Shared Sliding Door Cabinets with Opening on Right

description	w	d	h	pattern no.	All Same	Different	Different	V1	V2	V3
					Laminate (Core Lam.) (L)	Laminate Case/ Interior (Core Lam.) (L)	Laminate Case/Interior (Accent Lam.) (L)			
Interpole Shared Sliding Door Cabinet Case, Opening on Right	36"	15 5/8"	15"	<b>IPSSDR3615( )</b>	\$1,760.	\$1,920.	\$2,792.	\$2,792.	\$3,188.	\$4,099.
	42"	15 5/8"	15"	<b>IPSSDR4215( )</b>	1,818.	1,983.	2,851.	2,851.	3,254.	4,184.
	48"	15 5/8"	15"	<b>IPSSDR4815( )</b>	1,900.	2,009.	2,934.	2,934.	3,346.	4,297.
	54"	15 5/8"	15"	<b>IPSSDR5415( )</b>	2,156.	2,320.	3,131.	3,131.	3,420.	4,579.
	60"	15 5/8"	15"	<b>IPSSDR6015( )</b>	2,411.	2,629.	3,328.	3,328.	3,794.	4,861.
	66"	15 5/8"	15"	<b>IPSSDR6615( )</b>	2,468.	2,692.	3,443.	3,443.	3,926.	5,033.
	72"	15 5/8"	15"	<b>IPSSDR7215( )</b>	2,526.	2,754.	3,558.	3,558.	4,057.	5,204.



Sliding Doors Kit for Interpole Mounted Shared Sliding Door Cabinet Case, Opening on Right	36"	3/4"	15"	<b>IPSSDKR36( )</b>	631.	n/a	n/a	889.	1,023.	1,330.
	42"	3/4"	15"	<b>IPSSDKR42( )</b>	660.	n/a	n/a	917.	1,056.	1,372.
	48"	3/4"	15"	<b>IPSSDKR48( )</b>	689.	n/a	n/a	947.	1,089.	1,416.
	54"	3/4"	15"	<b>IPSSDKR54( )</b>	699.	n/a	n/a	979.	1,128.	1,450.
	60"	3/4"	15"	<b>IPSSDKR60( )</b>	718.	n/a	n/a	1,003.	1,158.	1,509.
	66"	3/4"	15"	<b>IPSSDKR66( )</b>	755.	n/a	n/a	1,062.	1,220.	1,590.
	72"	3/4"	15"	<b>IPSSDKR72( )</b>	775.	n/a	n/a	1,091.	1,251.	1,630.



Ordering Information	Order Code	Included With	Options
<b>Interpole Shared Open Shelf</b> 1. Pattern Number 2. Exterior Case Finish 3. Interior Case Finish (Laminate only) 4. Bracket Paint Finish  <b>Sliding Doors</b> 1. Pattern Number 2. Door Finish 3. Pull Finish	<b>Interpole Shared Open Shelf</b>  <i>Example:</i> <b>IPSSOEL6015L, 118, 118, 118T</b>  <b>IPS</b> Interpole Storage <b>SOEL</b> Shared Open Shelf, Open Left  <b>60</b> Width <b>15</b> Depth <b>L</b> Laminate <b>118</b> Bright White Laminate <b>118</b> Bright White Laminate <b>118T</b> Bright White Paint <b>Sliding Doors</b> <i>Example:</i> <b>IPSSDK60L 118, 118T</b> <b>IPS</b> Interpole Storage <b>SDK</b> Sliding Door Kit <b>60</b> Width <b>L</b> Laminate <b>118</b> Bright White Laminate <b>118T</b> Bright White Paint	<b>Interpole Shared Open Shelf</b>  Mounting Brackets Hardware  <b>Sliding Doors</b>  Hardware	<b>Interpole Shared Open Shelf</b>  <b>Case Finish Options:</b> (L) = All the same or different laminates for the exterior and interior case (V) = All the same veneer for the exterior and interior case  <b>Sliding Doors</b>  <b>Door Finish Option:</b> (L) = Laminate (V) = Veneer  Door pulls are available in Knoll core paints, Dark Red (130) and Slate Blue (131) paint finishes.

# Interpole Horizontal Wood Storage

## *Fabric Inserts*

### *Planning Guidelines and Specifications*

#### **Fabric Inserts for Interpole Cabinets**

Fabric back insert is tackable fabric panel, nominal 1/2" thick, that fits in the recess behind the back of Interpole horizontal cabinets. Fabric back inserts are 1 1/2" less wide and 1 1/2" less high than cabinet to fit between sides, top and bottom.

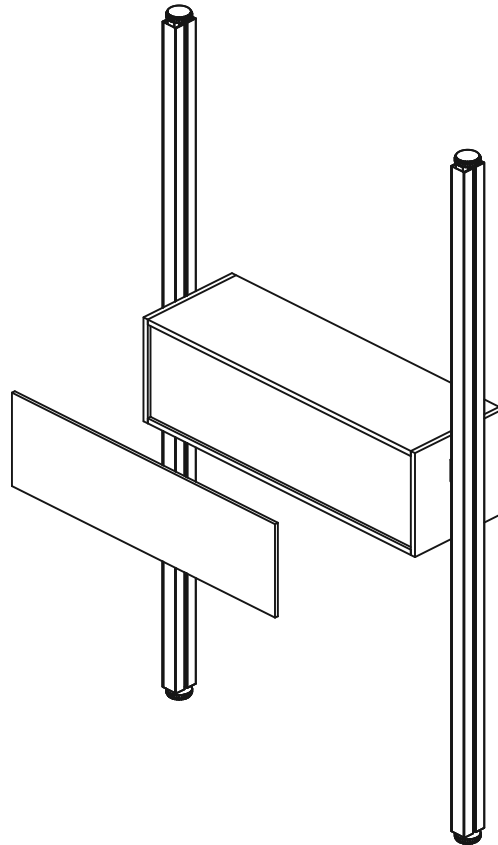
Fabric back insert is not applicable on cabinets without a recessed back.

#### **Construction**

Fabric back insert is 1/2" tackable tile with fabric applied on exterior surface and edges. Fabric inserts are installed using double-sided adhesive tape, which is included. Two fabric inserts are included for cabinets 60" and wider applications.

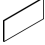
#### **Specification Options**

Fabric inserts may be specified in any Antenna approved textile. For Customers Own Material (COM) applications, see yardage chart in front of Price List.



Fabric Inserts are Installed in the Back of Interpole Horizontal Cabinets

Interpole Horizontal Wood Storage  
*Fabric Inserts*  
*For Interpole Mounted Cabinets*

description	w	d	h	pattern no.	grade				
					10	20	30	40	45
Fabric Inserts for Interpole Horizontal Cabinets	34 1/2"	1/2"	13 1/2"	<b>IPSI1536F</b>	\$282.	\$314.	\$350.	\$354.	\$378.
	40 1/2"	1/2"	13 1/2"	<b>IPSI1542F</b>	292.	318.	354.	359.	383.
	46 1/2"	1/2"	13 1/2"	<b>IPSI1548F</b>	292.	318.	354.	359.	383.
	52 1/2"	1/2"	13 1/2"	<b>IPSI1554F</b>	297.	324.	362.	364.	390.
	58 1/2"	1/2"	13 1/2"	<b>IPSI1560F</b>	507.	556.	561.	614.	643.
	64 1/2"	1/2"	13 1/2"	<b>IPSI1566F</b>	513.	558.	617.	626.	649.
	70 1/2"	1/2"	13 1/2"	<b>IPSI1572F</b>	513.	558.	617.	626.	649.

**Ordering Information**

**Fabric Inserts**

1. Pattern Number
2. Fabric

**Order Code**

**Fabric Inserts**

*Example:* **IPSI1560F, W351**

**IPSI** Fabric Insert

**15** High

**60** Wide

**F** Tackable Fabric

**W351** Foundation

**Included With**

**Fabric Inserts**

**Options**

**Fabric Inserts**

### Interpole Vertical Open Cabinets

Interpole vertical open cabinets mount at any level using the slot on one side of a pole, providing compact open shelf storage for open plan, private offices or activity spaces. Interpole vertical cabinets are 64.5"H, 15"W and 15-5/8"D.

Interpole vertical cabinets include the mounting kit and hardware to secure case on one side of a pole.

Vertical open cabinets include four adjustable shelves and a full back, recessed 1/2" for optional fabric insert, specified separately.

Vertical cabinets can be specified with mounts on either left or right side gables to mount to the side of a pole.

Vertical cabinets mount at either end of a sequence of two or more poles connected by screens or horizontal storage components.

### Construction

Case is composed of 3/4" thick wood panels, with discreet glue-and-dowel connections.

Case mounts to poles with three 15/16" thick cast aluminum dove-tail spacers and inserts, flex nuts and an anti-dislodgement bracket with set screw.

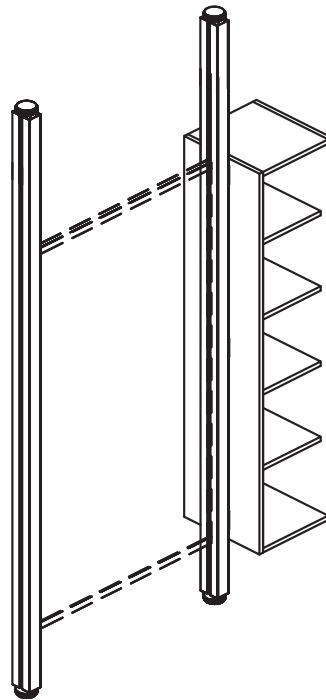
### Specification Options

Specify laminate (L), "mixed" two-tone laminate (L) or veneer (V) case.

Case finish exterior is available in any Knoll core laminate or veneer. When the case exterior is laminate, case interior, shelves and inset back are available in any Knoll Core or Accent laminate. When an Accent laminate is specified, the edgeband will match the exterior core laminate finish.

Mounting brackets are available in any Knoll Core paint finish, Dark Red or Slate Blue.

Specify optional fabric inserts separately.



Interpole Vertical Open Cabinet with Mounts on Left side

### Interpole Vertical Enclosed Cabinets

Interpole vertical enclosed cabinets mount at any level using the slot on one side of a pole, providing compact shelf or personal storage for open plan, private offices or activity spaces. Vertical enclosed cabinets are available in two configurations: vertical cabinet with four shelves, and vertical wardrobe cabinet. Interpole vertical enclosed cabinets are 64.5"H, 15"W and 16 1/2"D.

Interpole vertical cabinets include the mounting kit and hardware to secure case on one side of a pole.

All vertical enclosed cabinets have one full-height hinge door and a full back, recessed 1/2" for optional fabric insert, specified separately. Vertical cabinets can be specified with door hinges on either left or right side of cabinet as well as mounts on either left or right side gables to mount to the side of a pole.

Vertical enclosed cabinets with hinged door include four adjustable shelves.

Vertical wardrobe cabinets include a coat hook and adjustable lower shelf behind hinge door.

Vertical cabinets mount at either end of a sequence of two or more poles connected by screens or horizontal storage components.

### Construction

Case is composed of 3/4" thick wood panels, with discreet glue-and-dowel connections.

Case mounts to poles with three 15/16" thick cast aluminum dove-tail spacers and inserts, flex nuts and an anti-dislodgement bracket with set screw.

Hinged doors open 135 degrees for easy access.

### Specification Options

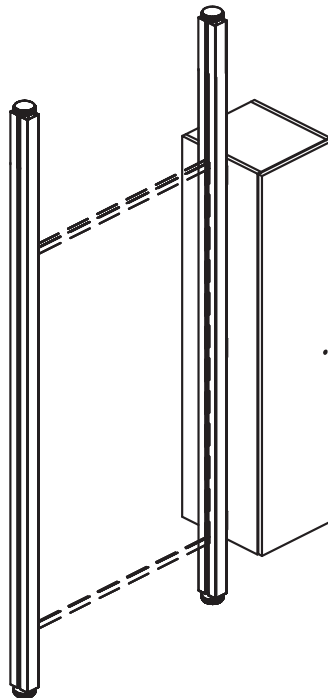
Specify laminate (L), laminate case with veneer front (M) or veneer (V) case. Cabinets are available either locking (L) or non-locking (N).

Case finish exterior is available in any Knoll core laminate or veneer. When the case exterior is laminate, specify door front finish in any Knoll Core laminate (L) or veneer (V).

Specify pull type: Edge (E) Insert (I) or Loop (O). Edge pulls are available in any Knoll Core paint finish, Dark Red, Slate Blue or in Chrome (PD). Loop pulls are available in any Knoll Core paint finish, Dark Red or Slate Blue. Insert pulls are available in Chrome (PD).

Mounting brackets are available in any Knoll Core paint finish, Dark Red or Slate Blue.

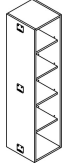
Specify optional fabric inserts separately.



Interpole Vertical Cabinet with Hinges and Mounts on Left Side

# Interpole Vertical Wood Storage For Mounting on Side Slot of Pole Open Cabinets

description	w	d	h	pattern no.	All Same Laminate (Core Lam.) (L)	Different Laminate Case/Interior (Core Lam.) (L)	Different Laminate Case/Interior (Accent Lam.) (L)	V1 (V)	V2 (V)	V3 (V)
Interpole Vertical Cabinet, Open with Four Shelves	15"	15 <sup>5</sup> / <sub>8</sub> "	64 <sup>1</sup> / <sub>2</sub> "	<b>IPSVOS1564L()</b>	\$2,255.	\$2,563.	\$3,383.	\$4,100.	\$4,715.	\$6,150.
	15"	15 <sup>5</sup> / <sub>8</sub> "	64 <sup>1</sup> / <sub>2</sub> "	<b>IPSVOS1564R()</b>	2,255.	2,563.	3,383.	4,100.	4,715.	6,150.



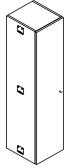
(left mount shown)

Ordering Information	Order Code	Included With	Options
<b>Interpole Vertical Cabinet, Open with Shelves</b> 1. Pattern Number 2. Exterior Case Finish 3. Interior Case Finish (Laminate only) 4. Bracket Paint Finish	<b>Interpole Vertical Cabinet, Open with Shelves</b>  <i>Example:</i> <b>IPSVOS1564LL, 118, 118T</b> <hr/> <b>IPS</b> Interpole Storage <hr/> <b>VOS</b> Vertical Cabinet Open with Shelves <hr/> <b>15</b> Depth <hr/> <b>64</b> Height <hr/> <b>L</b> Mounts on Left <hr/> <b>L</b> Laminate <hr/> <b>118</b> Bright White Laminate <hr/> <b>118</b> Bright White Laminate <hr/> <b>118T</b> Bright White Paint	<b>Interpole Vertical Cabinet, Open with Shelves</b>  Mounting Brackets Hardware (4) Adjustable Shelves	<b>Interpole Vertical Cabinet, Open with Shelves</b>  <b>Case Finish Options:</b> (L) = All the same or different laminates for the exterior and interior case (V) = All the same veneer for the exterior and interior case



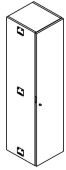
# Interpole Vertical Wood Storage For Mounting on Side Slot of Pole Cabinets with Doors

description	w	d	h	pattern no.	All Same	Laminate	Laminate	Laminate	All V1	All V2	All V3
					Laminate (Core Lam.) (L)	Case w/ V1 Fronts (M)	Case w/ V2 Fronts (M)	Case w/ V3 Fronts (M)			
Interpole Vertical Cabinet, Door with Four Shelves, Left Hinge	15"	16 1/2"	64 1/2"	<b>IPSVDL1564L( )L</b>	\$2,870.	\$3,178.	\$3,383.	\$3,588.	\$5,023.	\$5,740.	\$7,585.
	15"	16 1/2"	64 1/2"	<b>IPSVDL1564R( )L</b>	2,870.	3,178.	3,383.	3,588.	5,023.	5,740.	7,585.



(hinged left / mount left shown)

Interpole Vertical Cabinet, Door with Four Shelves, Right Hinge	15"	16 1/2"	64 1/2"	<b>IPSVDR1564L( )L</b>	2,870.	3,178.	3,383.	3,588.	5,023.	5,740.	7,585.
	15"	16 1/2"	64 1/2"	<b>IPSVDR1564R( )L</b>	2,870.	3,178.	3,383.	3,588.	5,023.	5,740.	7,585.

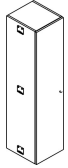


(hinged right / mount left shown)

Ordering Information	Order Code	Included With	Options
<b>Interpole Vertical Cabinet with Door and Shelves</b>	<b>Interpole Vertical Cabinet with Doors and Shelves</b>	<b>Interpole Vertical Cabinet, Open with Shelves</b>	<b>Interpole Vertical Cabinet with Door and Shelves</b>
1. Pattern Number	<i>Example:</i> <b>IPSVDL1564LLN, 118, 118, E, 118T, 118T</b>	Mounting Brackets	<b>Case Finish Options:</b>
2. Case Finish	<b>IPS</b> Interpole Storage	Hardware	(L) = All the same or different laminates for the exterior and interior case
3. Door Finish	<b>VDL</b> Vertical Cabinet with Door, Hinged Left	(4) Adjustable Shelves	(M) = Laminate exterior case/shelves and veneer door front
4. Pull Type	<b>15</b> Depth		(V) = All the same veneer for the exterior case/shelves and door front
5. Pull Paint Finish	<b>64</b> Height		
6. Bracket Paint Finish	<b>L</b> Mounts on Left		<b>Lock Options:</b>
	<b>L</b> Laminate		To specify an Interpole Vertical Storage cabinet without a lock, replace the final "L" suffix in the pattern number with an "N".
	<b>N</b> Non-Locking		<b>Door Pull Options:</b>
	<b>118</b> Bright White Laminate		(E) = Edge Pull
	<b>118</b> Bright White Laminate		(I) = Insert Pull
	<b>E</b> Edge Pull		(O) = Loop Pull
	<b>118T</b> Bright White Paint		See planning guide page for door pull finish options
	<b>118T</b> Bright White Paint		

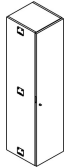
# Interpole Vertical Wood Storage For Mounting on Side Slot of Pole Wardrobe Cabinets

description	w	d	h	pattern no.	All Same Laminate (Core Lam.) (L)	Laminate Case w/ V1 Fronts (M)	Laminate Case w/ V2 Fronts (M)	Laminate Case w/ V3 Fronts (M)	All V1 (V)	All V2 (V)	All V3 (V)
Interpole Vertical Cabinet, Wardrobe, Left Hinge	15"	16 1/2"	64 1/2"	<b>IPSVWL1564L(JL)</b>	\$2,563.	\$2,870.	\$3,075.	\$3,280.	\$4,715.	\$5,433.	\$7,278.
	15"	16 1/2"	64 1/2"	<b>IPSVWL1564R(JL)</b>	2,563.	2,870.	3,075.	3,280.	4,715.	5,433.	7,278.



(hinged left / mount left shown)

Interpole Vertical Cabinet, Wardrobe, Right Hinge	15"	16 1/2"	64 1/2"	<b>IPSVWR1564L(JL)</b>	2,563.	2,870.	3,075.	3,280.	4,715.	5,433.	7,278.
	15"	16 1/2"	64 1/2"	<b>IPSVWR1564R(JL)</b>	2,563.	2,870.	3,075.	3,280.	4,715.	5,433.	7,278.



(hinged right / mount left shown)

Ordering Information	Order Code	Included With	Options
<b>Interpole Vertical Cabinet Wardrobe</b> 1. Pattern Number 2. Case Finish 3. Door Finish 4. Pull Type 5. Pull Paint Finish 6. Bracket Paint Finish	<b>Interpole Vertical Cabinet Wardrobe</b>  <i>Example:</i> <b>IPSVWL1564LLN, 118, 118, E, 118T, 118T</b> <hr/> <b>IPS</b> Interpole Storage <hr/> <b>VWL</b> Vertical Wardrobe, Hinged on Left <hr/> <b>15</b> Depth <hr/> <b>64</b> Height <hr/> <b>L</b> Mounts on Left <hr/> <b>L</b> Laminate <hr/> <b>N</b> Non-Locking <hr/> <b>118</b> Bright White Laminate <hr/> <b>118</b> Bright White Laminate <hr/> <b>E</b> Edge Pull <hr/> <b>118T</b> Bright White Paint <hr/> <b>118T</b> Bright White Paint	<b>Interpole Vertical Cabinet, Wardrobe</b>  Mounting Brackets Hardware Coat Hook Low Shelf	<b>Interpole Vertical Cabinet with Door and Shelves</b>  <b>Case Finish Options:</b> (L) = All the same or different laminates for the exterior and interior case (M) = Laminate exterior case/shelves and veneer door front (V) = All the same veneer for the exterior case/shelves and door front  <b>Lock Options:</b> To specify an Interpole Vertical Storage cabinet without a lock, replace the final "L" suffix in the pattern number with an "N".  <b>Door Pull Options:</b> (E) = Edge Pull (I) = Insert Pull (O) = Loop Pull  See planning guide page for door pull finish options

# Interpole Vertical Wood Storage

## *Fabric Inserts*

### *Planning Guidelines and Specifications*

---

#### **Fabric Insert for Interpole Cabinets**

Fabric back insert is tackable fabric panel, nominal 1/2" thick, that fits in the recess behind the back of Interpole vertical cabinets. Fabric back inserts are 1 1/2" less wide and 1 1/2" less high than cabinet to fit between sides, top and bottom.

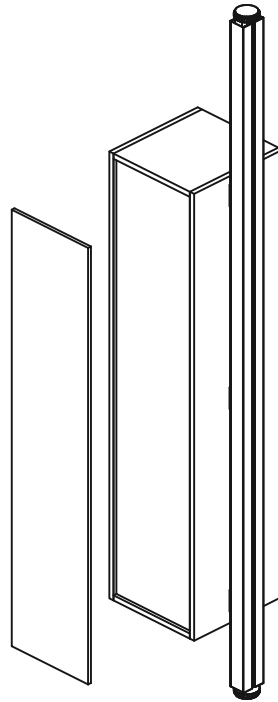
Fabric back insert is not applicable on cabinets without a recessed back.

#### **Construction**

Fabric back insert is 1/2" tackable tile with fabric applied on exterior surface and edges. Fabric inserts are installed using double-sided adhesive tape, which is included.

#### **Specification Options**

Fabric inserts may be specified in any Antenna approved textile. For Customers Own Material (COM) applications, see yardage chart in front of Price List.



Fabric Inserts are Installed in the Back of Interpole Vertical Cabinets

Interpole Vertical Wood Storage  
*Fabric Inserts*  
*For Interpole Vertical Cabinets*

description	w	d	h	pattern no.	grade				
					10	20	30	40	45
Fabric Inserts for Interpole Vertical Cabinets	15"	1/2"	64"	<b>IPSI6415F</b>	\$513.	\$558.	\$617.	\$626.	\$649.



**Ordering Information**

**Fabric Inserts**

1. Pattern Number
2. Fabric

**Order Code**

**Fabric Inserts**

*Example:* **IPSI6415F, W351**

<b>IPSI</b>	Fabric Insert
<b>64</b>	High
<b>15</b>	Wide
<b>F</b>	Tackable Fabric
<b>W351</b>	Foundation

**Included With**

**Fabric Inserts**

**Options**

**Fabric Inserts**

### Antenna Simple Tables

Antenna Simple Tables are available as complete kits, including top, stiffener and legs. Preconfigured tables include round, square, rectangular and track shapes, in standard Antenna laminate or veneer top details, with painted finish legs.

Antenna Simple Table legs include a 1 1/4" round leg with 5"x5" top plate and are available with glides or casters. Tops are drilled at all four corners to position leg column at the corner or inset for rectangular tops 24"D or deeper. Antenna Simple Tables accept standard Antenna desk screens on tables 24" and 27"D when legs are in the outboard position or 30" and 36"D tables with legs positioned either outboard or inboard. Tables legs on 36" round tables may only be positioned in the outboard position.

Antenna Simple Table stiffeners are 9" less wide than the corresponding top width. Rectangular tops include factory drilled pilot holes to mount stiffeners either centered on top depth or offset 9" from the back edge. Round and Track shaped tops include pilot holes to mount the stiffener centered or offset 3" from center to avoid a centered grommet.

Table legs with glides include standard Antenna adjustable levelers with 3" continuous adjustment range. Table legs with casters include two locking and two non-locking threaded stem casters.

Antenna Simple Tables are available with or without a 2" round grommet. Rectangular and Track shaped tables feature two grommets positioned near the back edge. Round and Square shaped tables feature one centered grommet.

### Construction

Antenna Simple Table tops are nominal 1 3/16" thick with a laminate or veneer surface finish. Laminate tops have a laminate top surface with an FSC-certified particle board core and a neutral tone backer sheet for balanced construction. Edges can match the top or contrast in color, in 2.8mm ABS with 2.4mm radius top and bottom edges. Front and back edges overlap ends with a 2.4mm radius on outside corners.

Techwood and natural veneer tops have a veneer top surface, an FSC-certified partial board core and a neutral tone backer sheet for balanced construction. Veneer tops have matching finish 2.0mm solid veneer edges on all sides. Top and bottom edges have a 2.0mm radius. Veneer grain direction is parallel to front edge.

Laminate and veneer tops include metal inserts on the underside at each corner for leg plate attachment with machine screws.

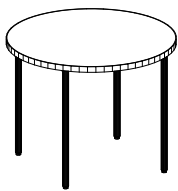
Legs are steel weldments with 1 1/4" round steel tube. Legs include 5" levelers with 5/8" stems and 3" continuous adjustment range. Leg plate is 3/8" thick steel with chamfered edge.

Stiffeners are 12 gauge steel with laser cut cleats for wire management.

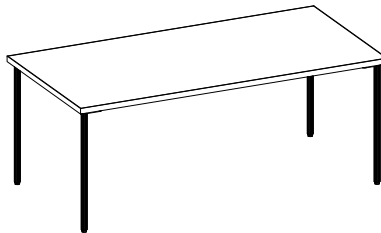
### Specification Options

Table tops may be specified in any Antenna solid, pattern or woodgrain laminate, with matching or contrasting ABS edge, or in any Antenna Techwood or natural veneer with matching solid veneer or ABS edge.

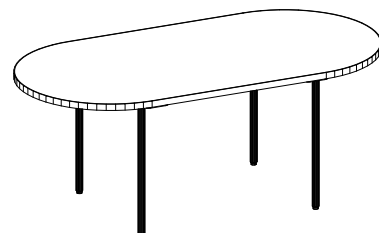
Legs may be specified in any standard Antenna smooth painted finish. Steel stiffener is default Medium Grey. Casters are default black.



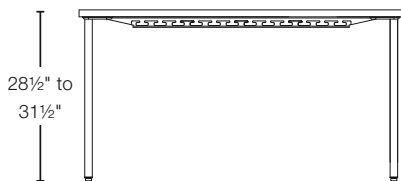
Round Simple Table,  
25 5/6" or 28 1/2"H



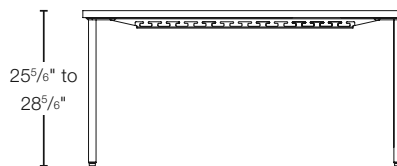
Rectangular Simple Table,  
25 5/6" or 28 1/2"H



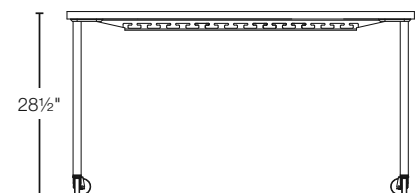
Track Shaped Simple Table,  
25 5/6" or 28 1/2"H



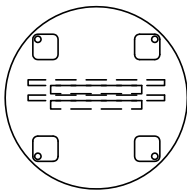
Side Elevation of Desk Height,  
High Range, with Glides



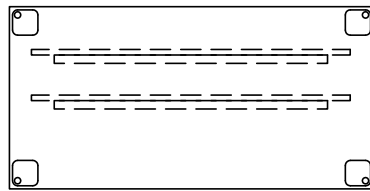
Side Elevation of Desk Height,  
Low Range, with Glides



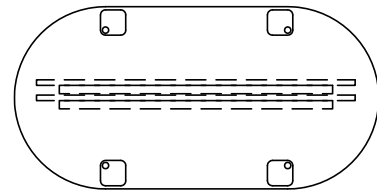
Side Elevation of  
Desk Height, with Casters



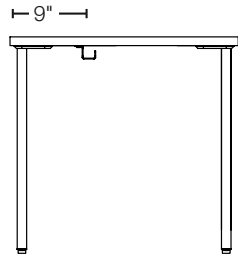
Round Simple  
Table Plan View



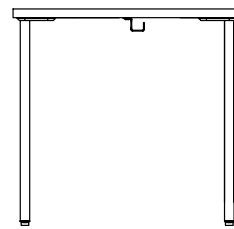
Rectangular Simple  
Table Plan View



Track Shaped Simple  
Table Plan View



End Elevation with  
Stiffener in Back Position

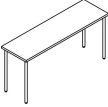


End Elevation with  
Stiffener in Center Position

# Antenna Simple Tables

## Rectangular Tables

### 18" Deep

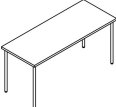
description	type	w	d	h	pattern no.	Laminate (L)	V1 (V)	V2 (V)	V3 (V)
18"D Antenna Simple Tables with Rectangular Shaped Tops 	Desk height high range	36"	18"	28 1/2"	<b>YKTS3618SDHN</b>	\$899.	\$1,069.	\$1,112.	\$1,194.
		42"	18"	28 1/2"	<b>YKTS4218SDHN</b>	938.	1,100.	1,147.	1,242.
		48"	18"	28 1/2"	<b>YKTS4818SDHN</b>	966.	1,130.	1,182.	1,290.
		54"	18"	28 1/2"	<b>YKTS5418SDHN</b>	992.	1,160.	1,217.	1,338.
		60"	18"	28 1/2"	<b>YKTS6018SDHN</b>	1,034.	1,190.	1,251.	1,385.
		66"	18"	28 1/2"	<b>YKTS6618SDHN</b>	1,063.	1,236.	1,301.	1,448.
		72"	18"	28 1/2"	<b>YKTS7218SDHN</b>	1,091.	1,282.	1,351.	1,511.
		78"	18"	28 1/2"	<b>YKTS7818SDHN</b>	1,149.	1,328.	1,401.	1,574.
		84"	18"	28 1/2"	<b>YKTS8418SDHN</b>	1,187.	1,373.	1,452.	1,637.
		Desk height low range	Desk height low range	36"	18"	25 5/6"	<b>YKTS3618SDLN</b>	899.	1,069.
42"	18"			25 5/6"	<b>YKTS4218SDLN</b>	938.	1,100.	1,147.	1,242.
48"	18"			25 5/6"	<b>YKTS4818SDLN</b>	966.	1,130.	1,182.	1,290.
54"	18"			25 5/6"	<b>YKTS5418SDLN</b>	992.	1,160.	1,217.	1,338.
60"	18"			25 5/6"	<b>YKTS6018SDLN</b>	1,034.	1,190.	1,251.	1,385.
66"	18"			25 5/6"	<b>YKTS6618SDLN</b>	1,063.	1,236.	1,301.	1,448.
72"	18"			25 5/6"	<b>YKTS7218SDLN</b>	1,091.	1,282.	1,351.	1,511.
78"	18"			25 5/6"	<b>YKTS7818SDLN</b>	1,149.	1,328.	1,401.	1,574.
84"	18"			25 5/6"	<b>YKTS8418SDLN</b>	1,187.	1,373.	1,452.	1,637.
Desk height with casters	Desk height with casters			36"	18"	28 1/2"	<b>YKTS3618SDCN</b>	946.	1,119.
		42"	18"	28 1/2"	<b>YKTS4218SDCN</b>	986.	1,150.	1,197.	1,292.
		48"	18"	28 1/2"	<b>YKTS4818SDCN</b>	1,013.	1,180.	1,232.	1,340.
		54"	18"	28 1/2"	<b>YKTS5418SDCN</b>	1,039.	1,210.	1,267.	1,388.
		60"	18"	28 1/2"	<b>YKTS6018SDCN</b>	1,081.	1,240.	1,301.	1,435.
		66"	18"	28 1/2"	<b>YKTS6618SDCN</b>	1,129.	1,286.	1,351.	1,498.
		72"	18"	28 1/2"	<b>YKTS7218SDCN</b>	1,138.	1,332.	1,401.	1,561.
		78"	18"	28 1/2"	<b>YKTS7818SDCN</b>	1,196.	1,378.	1,451.	1,624.
		84"	18"	28 1/2"	<b>YKTS8418SDCN</b>	1,234.	1,423.	1,502.	1,687.

Ordering Information	Order Code	Included With	Options
<b>Antenna Simple Tables</b>	<b>Tables</b>	<b>Antenna Simple Tables</b>	<b>Antenna Simple Table</b>
1. Pattern Number	<i>Example:</i> <b>YKTS6018SDHNL, 118, 118</b>	Antenna Top	(N) No grommet
2. Grommet / no grommet		Table Legs	(C) Grommet
3. Top finish type	<b>YKTS</b> Antenna Simple Table	Stiffener	For Grommets, add \$50 for rectangular and track shape tops. Add \$25 for round and square.
4. Top finish	<b>60</b> Width	Leveling Glides or Casters	<b>Top Finish Options:</b>
5. Edge Finish (for laminate tops only)	<b>18</b> Depth	Attachment Hardware	(L) = Laminate
6. Base finish (paint)	<b>SDH</b> Desk Height High Range		(V) = Veneer
7. Grommet finish (paint)	<b>N</b> No Grommet		Top may be specified in any Knoll core laminate or veneer.
	<b>L</b> Laminate		<b>Leg Finish Options:</b>
	<b>118</b> Bright White Laminate		Legs are available in smooth Knoll core paints, Dark Red (130) and Slate blue (131) paint finishes.
	<b>118</b> Bright White Edge		
	<b>118</b> Bright White Leg		

# Antenna Simple Tables

## Rectangular Tables

### 24" Deep

description	type	w	d	h	pattern no.	Laminate (L)	V1 (V)	V2 (V)	V3 (V)
24"D Antenna Simple Tables with Rectangular Shaped Tops 	Desk height high range	36"	24"	28 1/2"	<b>YKTS3624SDHN</b>	\$934.	\$1,107.	\$1,158.	\$1,266.
		42"	24"	28 1/2"	<b>YKTS4224SDHN</b>	981.	1,143.	1,198.	1,323.
		48"	24"	28 1/2"	<b>YKTS4824SDHN</b>	1,012.	1,179.	1,238.	1,380.
		54"	24"	28 1/2"	<b>YKTS5424SDHN</b>	1,044.	1,215.	1,278.	1,437.
		60"	24"	28 1/2"	<b>YKTS6024SDHN</b>	1,092.	1,249.	1,319.	1,567.
		66"	24"	28 1/2"	<b>YKTS6624SDHN</b>	1,127.	1,300.	1,376.	1,640.
		72"	24"	28 1/2"	<b>YKTS7224SDHN</b>	1,143.	1,351.	1,433.	1,713.
		78"	24"	28 1/2"	<b>YKTS7824SDHN</b>	1,224.	1,402.	1,490.	1,786.
		84"	24"	28 1/2"	<b>YKTS8424SDHN</b>	1,267.	1,453.	1,545.	1,785.
		Desk height low range	36"	24"	25 5/6"	<b>YKTS3624SDLN</b>	934.	1,107.	1,158.
42"	24"		25 5/6"	<b>YKTS4224SDLN</b>	981.	1,143.	1,198.	1,323.	
48"	24"		25 5/6"	<b>YKTS4824SDLN</b>	1,012.	1,179.	1,238.	1,380.	
54"	24"		25 5/6"	<b>YKTS5424SDLN</b>	1,044.	1,215.	1,278.	1,437.	
60"	24"		25 5/6"	<b>YKTS6024SDLN</b>	1,092.	1,249.	1,319.	1,567.	
66"	24"		25 5/6"	<b>YKTS6624SDLN</b>	1,127.	1,300.	1,376.	1,640.	
72"	24"		25 5/6"	<b>YKTS7224SDLN</b>	1,143.	1,351.	1,433.	1,713.	
78"	24"		25 5/6"	<b>YKTS7824SDLN</b>	1,224.	1,402.	1,490.	1,786.	
84"	24"		25 5/6"	<b>YKTS8424SDLN</b>	1,267.	1,453.	1,545.	1,785.	
Desk height with casters	36"		24"	28 1/2"	<b>YKTS3624SDCN</b>	983.	1,157.	1,208.	1,316.
	42"	24"	28 1/2"	<b>YKTS4224SDCN</b>	1,028.	1,193.	1,248.	1,373.	
	48"	24"	28 1/2"	<b>YKTS4824SDCN</b>	1,060.	1,229.	1,288.	1,430.	
	54"	24"	28 1/2"	<b>YKTS5424SDCN</b>	1,091.	1,265.	1,328.	1,487.	
	60"	24"	28 1/2"	<b>YKTS6024SDCN</b>	1,140.	1,299.	1,369.	1,617.	
	66"	24"	28 1/2"	<b>YKTS6624SDCN</b>	1,174.	1,350.	1,426.	1,690.	
	72"	24"	28 1/2"	<b>YKTS7224SDCN</b>	1,190.	1,401.	1,483.	1,763.	
	78"	24"	28 1/2"	<b>YKTS7824SDCN</b>	1,271.	1,452.	1,540.	1,836.	
	84"	24"	28 1/2"	<b>YKTS8424SDCN</b>	1,314.	1,503.	1,595.	1,835.	

Antenna Simple Tables

Ordering Information	Order Code	Included With	Options
<b>Antenna Simple Tables</b> 1. Pattern Number 2. Grommet / no grommet 3. Top finish type 4. Top finish 5. Edge Finish (for laminate tops only) 6. Base finish (paint) 7. Grommet finish (paint)	<b>Tables</b>  <i>Example:</i> <b>YKTS6024SDHNL, 118, 118</b> <hr/> <b>YKTS</b> Antenna Simple Table <hr/> <b>60</b> Width <hr/> <b>24</b> Depth <hr/> <b>SDH</b> Desk Height High Range <hr/> <b>N</b> No Grommet <hr/> <b>L</b> Laminate <hr/> <b>118</b> Bright White Laminate <hr/> <b>118</b> Bright White Edge <hr/> <b>118</b> Bright White Leg	<b>Antenna Simple Tables</b>  Antenna Top Table Legs Stiffener Leveling Glides or Casters Attachment Hardware	<b>Antenna Simple Table</b>  (N) No grommet (G) Grommet  For Grommets, add \$50 for rectangular and track shape tops. Add \$25 for round and square.  <b>Top Finish Options:</b> (L) = Laminate (V) = Veneer  Top may be specified in any Knoll core laminate or veneer.  <b>Leg Finish Options:</b>  Legs are available in smooth Knoll core paints, Dark Red (130) and Slate blue (131) paint finishes.

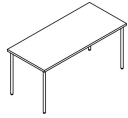


# Antenna Simple Tables

## Rectangular Tables

### 27" Deep

description	type	w	d	h	pattern no.	Laminate (L)	V1 (V)	V2 (V)	V3 (V)
27"D Antenna Simple Tables with Rectangular Shaped Tops	Desk height high range	36"	27"	28 1/2"	<b>YKTS3627SDHN</b>	\$952.	\$1,119.	\$1,173.	\$1,294.
		42"	27"	28 1/2"	<b>YKTS4227SDHN</b>	1,001.	1,161.	1,221.	1,360.
		48"	27"	28 1/2"	<b>YKTS4827SDHN</b>	1,036.	1,203.	1,269.	1,426.
		54"	27"	28 1/2"	<b>YKTS5427SDHN</b>	1,070.	1,245.	1,317.	1,492.
		60"	27"	28 1/2"	<b>YKTS6027SDHN</b>	1,121.	1,286.	1,364.	1,558.
		66"	27"	28 1/2"	<b>YKTS6627SDHN</b>	1,130.	1,344.	1,417.	1,629.
		72"	27"	28 1/2"	<b>YKTS7227SDHN</b>	1,145.	1,382.	1,470.	1,700.
		78"	27"	28 1/2"	<b>YKTS7827SDHN</b>	1,260.	1,430.	1,523.	1,771.
		84"	27"	28 1/2"	<b>YKTS8427SDHN</b>	1,307.	1,476.	1,574.	1,842.
		Desk height low range	Desk height low range	36"	27"	25 3/6"	<b>YKTS3627SDLN</b>	952.	1,119.
42"	27"			25 3/6"	<b>YKTS4227SDLN</b>	1,001.	1,161.	1,221.	1,360.
48"	27"			25 3/6"	<b>YKTS4827SDLN</b>	1,036.	1,203.	1,269.	1,426.
54"	27"			25 3/6"	<b>YKTS5427SDLN</b>	1,070.	1,245.	1,317.	1,492.
60"	27"			25 3/6"	<b>YKTS6027SDLN</b>	1,121.	1,286.	1,364.	1,558.
66"	27"			25 3/6"	<b>YKTS6627SDLN</b>	1,130.	1,344.	1,417.	1,629.
72"	27"			25 3/6"	<b>YKTS7227SDLN</b>	1,145.	1,382.	1,470.	1,700.
78"	27"			25 3/6"	<b>YKTS7827SDLN</b>	1,260.	1,430.	1,523.	1,771.
84"	27"			25 3/6"	<b>YKTS8427SDLN</b>	1,307.	1,476.	1,574.	1,842.
Desk height with casters	Desk height with casters			36"	27"	28 1/2"	<b>YKTS3627SDCN</b>	1,000.	1,169.
		42"	27"	28 1/2"	<b>YKTS4227SDCN</b>	1,049.	1,211.	1,271.	1,410.
		48"	27"	28 1/2"	<b>YKTS4827SDCN</b>	1,083.	1,253.	1,319.	1,476.
		54"	27"	28 1/2"	<b>YKTS5427SDCN</b>	1,118.	1,295.	1,367.	1,542.
		60"	27"	28 1/2"	<b>YKTS6027SDCN</b>	1,168.	1,336.	1,414.	1,608.
		66"	27"	28 1/2"	<b>YKTS6627SDCN</b>	1,182.	1,394.	1,467.	1,679.
		72"	27"	28 1/2"	<b>YKTS7227SDCN</b>	1,210.	1,432.	1,520.	1,750.
		78"	27"	28 1/2"	<b>YKTS7827SDCN</b>	1,307.	1,480.	1,573.	1,821.
		84"	27"	28 1/2"	<b>YKTS8427SDCN</b>	1,355.	1,526.	1,624.	1,892.

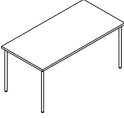


Ordering Information	Order Code	Included With	Options
<b>Antenna Simple Tables</b>	<b>Tables</b>	<b>Antenna Simple Tables</b>	<b>Antenna Simple Table</b>
1. Pattern Number	<i>Example:</i> <b>YKTS6027SDHNL, 118, 118</b>	Antenna Top	(N) No grommet
2. Grommet / no grommet	<b>YKTS</b> Antenna Simple Table	Table Legs	(G) Grommet
3. Top finish type	<b>60</b> Width	Stiffener	For Grommets, add \$50 for rectangular and track shape tops. Add \$25 for round and square.
4. Top finish	<b>27</b> Depth	Leveling Glides or Casters	<b>Top Finish Options:</b>
5. Edge Finish (for laminate tops only)	<b>SDH</b> Desk Height High Range	Attachment Hardware	(L) = Laminate
6. Base finish (paint)	<b>N</b> No Grommet		(V) = Veneer
7. Grommet finish (paint)	<b>L</b> Laminate		Top may be specified in any Knoll core laminate or veneer.
	<b>118</b> Bright White Laminate		<b>Leg Finish Options:</b>
	<b>118</b> Bright White Edge		Legs are available in smooth Knoll core paints, Dark Red (130) and Slate blue (131) paint finishes.
	<b>118</b> Bright White Leg		

# Antenna Simple Tables

## Rectangular Tables

### 30" Deep

description	type	w	d	h	pattern no.	Laminate (L)	V1 (V)	V2 (V)	V3 (V)		
30"D Antenna Simple Tables with Rectangular Shaped Tops 	Desk height high range	36"	30"	28 1/2"	<b>YKTS3630SDHN</b>	\$971.	\$1,132.	\$1,189.	\$1,321.		
		42"	30"	28 1/2"	<b>YKTS4230SDHN</b>	1,023.	1,175.	1,239.	1,391.		
		48"	30"	28 1/2"	<b>YKTS4830SDHN</b>	1,060.	1,218.	1,289.	1,461.		
		54"	30"	28 1/2"	<b>YKTS5430SDHN</b>	1,096.	1,261.	1,339.	1,531.		
		60"	30"	28 1/2"	<b>YKTS6030SDHN</b>	1,148.	1,304.	1,386.	1,600.		
		66"	30"	28 1/2"	<b>YKTS6630SDHN</b>	1,191.	1,356.	1,437.	1,660.		
		72"	30"	28 1/2"	<b>YKTS7230SDHN</b>	1,228.	1,408.	1,481.	1,756.		
		78"	30"	28 1/2"	<b>YKTS7830SDHN</b>	1,297.	1,460.	1,564.	1,834.		
		84"	30"	28 1/2"	<b>YKTS8430SDHN</b>	1,348.	1,510.	1,615.	1,910.		
		<hr/>									
			Desk height low range	36"	30"	25 5/6"	<b>YKTS3630SDLN</b>	971.	1,132.	1,189.	1,321.
				42"	30"	25 5/6"	<b>YKTS4230SDLN</b>	1,023.	1,175.	1,239.	1,391.
				48"	30"	25 5/6"	<b>YKTS4830SDLN</b>	1,060.	1,218.	1,289.	1,461.
	54"	30"		25 5/6"	<b>YKTS5430SDLN</b>	1,096.	1,261.	1,339.	1,531.		
	60"	30"		25 5/6"	<b>YKTS6030SDLN</b>	1,148.	1,304.	1,386.	1,600.		
	66"	30"		25 5/6"	<b>YKTS6630SDLN</b>	1,191.	1,356.	1,437.	1,660.		
	72"	30"		25 5/6"	<b>YKTS7230SDLN</b>	1,228.	1,408.	1,481.	1,756.		
	78"	30"		25 5/6"	<b>YKTS7830SDLN</b>	1,297.	1,460.	1,564.	1,834.		
	84"	30"		25 5/6"	<b>YKTS8430SDLN</b>	1,348.	1,510.	1,615.	1,910.		
<hr/>											
	Desk height with casters	36"	30"	28 1/2"	<b>YKTS3630SDCN</b>	1,018.	1,182.	1,239.	1,371.		
		42"	30"	28 1/2"	<b>YKTS4230SDCN</b>	1,070.	1,225.	1,289.	1,441.		
		48"	30"	28 1/2"	<b>YKTS4830SDCN</b>	1,107.	1,268.	1,339.	1,511.		
		54"	30"	28 1/2"	<b>YKTS5430SDCN</b>	1,144.	1,311.	1,389.	1,581.		
		60"	30"	28 1/2"	<b>YKTS6030SDCN</b>	1,197.	1,354.	1,436.	1,650.		
		66"	30"	28 1/2"	<b>YKTS6630SDCN</b>	1,238.	1,406.	1,487.	1,710.		
		72"	30"	28 1/2"	<b>YKTS7230SDCN</b>	1,276.	1,458.	1,531.	1,806.		
		78"	30"	28 1/2"	<b>YKTS7830SDCN</b>	1,345.	1,510.	1,614.	1,884.		
		84"	30"	28 1/2"	<b>YKTS8430SDCN</b>	1,394.	1,560.	1,665.	1,960.		

Antenna Simple Tables

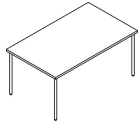
Ordering Information	Order Code	Included With	Options
<b>Antenna Simple Tables</b>	<b>Tables</b>	<b>Antenna Simple Tables</b>	<b>Antenna Simple Table</b>
1. Pattern Number	<i>Example:</i> <b>YKTS6030SDHNL, 118, 118</b>	Antenna Top	(N) No grommet
2. Grommet / no grommet		Table Legs	(G) Grommet
3. Top finish type	<b>YKTS</b> Antenna Simple Table	Stiffener	For Grommets, add \$50 for rectangular and track shape tops. Add \$25 for round and square.
4. Top finish	<b>60</b> Width	Leveling Glides or Casters	<b>Top Finish Options:</b>
5. Edge Finish (for laminate tops only)	<b>30</b> Depth	Attachment Hardware	(L) = Laminate
6. Base finish (paint)	<b>SDH</b> Desk Height High Range		(V) = Veneer
7. Grommet finish (paint)	<b>N</b> No Grommet		Top may be specified in any Knoll core laminate or veneer.
	<b>L</b> Laminate		<b>Leg Finish Options:</b>
	<b>118</b> Bright White Laminate		Legs are available in smooth Knoll core paints, Dark Red (130) and Slate blue (131) paint finishes.
	<b>118</b> Bright White Edge		
	<b>118</b> Bright White Leg		

# Antenna Simple Tables

## Rectangular Tables

### 36" Deep

description	type	w	d	h	pattern no.	Laminate (L)	V1 (V)	V2 (V)	V3 (V)
36"D Antenna Simple Tables with Rectangular Shaped Tops	Desk height high range	36"	36"	28 1/2"	<b>YKTS3636SDHN</b>	\$1,008.	\$1,166.	\$1,241.	\$1,398.
		42"	36"	28 1/2"	<b>YKTS4236SDHN</b>	1,064.	1,208.	1,289.	1,470.
		48"	36"	28 1/2"	<b>YKTS4836SDHN</b>	1,107.	1,253.	1,337.	1,542.
		54"	36"	28 1/2"	<b>YKTS5436SDHN</b>	1,149.	1,298.	1,385.	1,614.
		60"	36"	28 1/2"	<b>YKTS6036SDHN</b>	1,209.	1,342.	1,432.	1,686.
		66"	36"	28 1/2"	<b>YKTS6636SDHN</b>	1,254.	1,396.	1,492.	1,771.
		72"	36"	28 1/2"	<b>YKTS7236SDHN</b>	1,298.	1,450.	1,552.	1,856.
		78"	36"	28 1/2"	<b>YKTS7836SDHN</b>	1,372.	1,504.	1,612.	1,941.
		84"	36"	28 1/2"	<b>YKTS8436SDHN</b>	1,427.	1,557.	1,674.	2,024.
		Desk height low range	Desk height low range	36"	36"	25 5/6"	<b>YKTS3636SDLN</b>	1,008.	1,166.
42"	36"			25 5/6"	<b>YKTS4236SDLN</b>	1,064.	1,208.	1,289.	1,470.
48"	36"			25 5/6"	<b>YKTS4836SDLN</b>	1,107.	1,253.	1,337.	1,542.
54"	36"			25 5/6"	<b>YKTS5436SDLN</b>	1,149.	1,298.	1,385.	1,614.
60"	36"			25 5/6"	<b>YKTS6036SDLN</b>	1,209.	1,342.	1,432.	1,686.
66"	36"			25 5/6"	<b>YKTS6636SDLN</b>	1,254.	1,396.	1,492.	1,771.
72"	36"			25 5/6"	<b>YKTS7236SDLN</b>	1,298.	1,450.	1,552.	1,856.
78"	36"			25 5/6"	<b>YKTS7836SDLN</b>	1,372.	1,504.	1,612.	1,941.
84"	36"			25 5/6"	<b>YKTS8436SDLN</b>	1,427.	1,557.	1,674.	2,024.
Desk height with casters	Desk height with casters			36"	36"	28 1/2"	<b>YKTS3636SDCN</b>	1,055.	1,216.
		42"	36"	28 1/2"	<b>YKTS4236SDCN</b>	1,112.	1,258.	1,339.	1,520.
		48"	36"	28 1/2"	<b>YKTS4836SDCN</b>	1,154.	1,303.	1,387.	1,592.
		54"	36"	28 1/2"	<b>YKTS5436SDCN</b>	1,196.	1,348.	1,435.	1,664.
		60"	36"	28 1/2"	<b>YKTS6036SDCN</b>	1,256.	1,392.	1,482.	1,736.
		66"	36"	28 1/2"	<b>YKTS6636SDCN</b>	1,301.	1,446.	1,542.	1,821.
		72"	36"	28 1/2"	<b>YKTS7236SDCN</b>	1,345.	1,500.	1,602.	1,906.
		78"	36"	28 1/2"	<b>YKTS7836SDCN</b>	1,420.	1,554.	1,662.	1,991.
		84"	36"	28 1/2"	<b>YKTS8436SDCN</b>	1,474.	1,607.	1,724.	2,074.





Ordering Information	Order Code	Included With	Options
<b>Antenna Simple Tables</b>	<b>Tables</b>	<b>Antenna Simple Tables</b>	<b>Antenna Simple Table</b>
1. Pattern Number	<i>Example:</i> <b>YKTS6036SDHNL, 118, 118</b>	Antenna Top	(N) No grommet
2. Grommet / no grommet		Table Legs	(G) Grommet
3. Top finish type	<b>YKTS</b> Antenna Simple Table	Stiffener	For Grommets, add \$50 for rectangular and track shape tops. Add \$25 for round and square
4. Top finish	<b>60</b> Width	Leveling Glides or Casters	<b>Top Finish Options:</b>
5. Edge Finish (for laminate tops only)	<b>36</b> Depth	Attachment Hardware	(L) = Laminate
6. Base finish (paint)	<b>SDH</b> Desk Height High Range		(V) = Veneer
7. Grommet finish (paint)	<b>N</b> No Grommet		Top may be specified in any Knoll core laminate or veneer.
	<b>L</b> Laminate		<b>Leg Finish Options:</b>
	<b>118</b> Bright White Laminate		Legs are available in smooth Knoll core paints, Dark Red (130) and Slate blue (131) paint finishes.
	<b>118</b> Bright White Edge		
	<b>118</b> Bright White Leg		

# Antenna Simple Tables

## Square Tables

### 36" and 42" Deep

description	type	w	d	h	pattern no.	Laminate (L)	V1 (V)	V2 (V)	V3 (V)
36"D Antenna Simple Tables with Square Shaped Tops 	Desk height high range	36"	36"	28½"	<b>YKTS3636SDHN</b>	\$1,008.	\$1,166.	\$1,241.	\$1,398.
	Desk height low range	36"	36"	25¾"	<b>YKTS3636SDLN</b>	1,008.	1,166.	1,241.	1,398.
	Desk height with casters	36"	36"	28½"	<b>YKTS3636SDCN</b>	1,055.	1,216.	1,291.	1,448.
42"D Antenna Simple Tables with Square Shaped Tops 	Desk height high range	42"	42"	28½"	<b>YKTS4242SDHN</b>	1,115.	1,293.	1,371.	1,580.
	Desk height low range	42"	42"	25¾"	<b>YKTS4242SDLN</b>	1,115.	1,293.	1,371.	1,580.
	Desk height with casters	42"	42"	28½"	<b>YKTS4242SDCN</b>	1,162.	1,332.	1,410.	1,619.

Antenna Simple Tables

#### Ordering Information

##### Antenna Simple Tables

1. Pattern Number
2. Grommet / no grommet
3. Top finish type
4. Top finish
5. Edge Finish (for laminate tops only)
6. Base finish (paint)
7. Grommet finish (paint)

#### Order Code

##### Tables

*Example:* **YKTS3636SDHNL, 118, 118, 118**

<b>YKTS</b>	Antenna Simple Table
<b>36</b>	Width
<b>36</b>	Depth
<b>SDH</b>	Desk Height High Range
<b>N</b>	No Grommet
<b>L</b>	Laminate
<b>118</b>	Bright White Laminate
<b>118</b>	Bright White Edge
<b>118</b>	Bright White Leg

#### Included With

**Antenna Simple Tables**  
 Antenna Top  
 Table Legs  
 Stiffener  
 Leveling Glides or Casters  
 Attachment Hardware

#### Options

##### Antenna Simple Table

(N) No grommet  
 (G) Grommet

For Grommets, add \$50 for rectangular and track shape tops. Add \$25 for round and square.

##### Top Finish Options:

(L) = Laminate  
 (V) = Veneer

Top may be specified in any Knoll core laminate or veneer.



##### Leg Finish Options:

Legs are available in smooth Knoll core paints, Dark Red (130) and Slate blue (131) paint finishes.

# Antenna Simple Tables

## Round Tables

### 36" and 42" Deep

description	type	w	d	h	pattern no.	Laminate (L)	V1 (V)	V2 (V)	V3 (V)
36"D Antenna Simple Tables with Round Shaped Tops 	Desk height high range	36"	36"	28½"	<b>YKTR36SDHN</b>	\$1,002.	\$2,207.	\$2,255.	\$2,420.
	Desk height low range	36"	36"	25⅝"	<b>YKTR36SDLN</b>	1,002.	2,207.	2,255.	2,420.
	Desk height with casters	36"	36"	28½"	<b>YKTR36SDCN</b>	1,049.	2,246.	2,294.	2,458.
42"D Antenna Simple Tables with Round Shaped Tops 	Desk height high range	42"	42"	28½"	<b>YKTR42SDHN</b>	1,109.	2,322.	2,382.	2,603.
	Desk height low range	42"	42"	25⅝"	<b>YKTR42SDLN</b>	1,109.	2,322.	2,382.	2,603.
	Desk height with casters	42"	42"	28½"	<b>YKTR42SDCN</b>	1,156.	2,360.	2,420.	2,641.

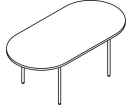
Ordering Information	Order Code	Included With	Options
<b>Antenna Simple Tables</b> 1. Pattern Number 2. Grommet / no grommet 3. Top finish type 4. Top finish 5. Edge Finish (for laminate tops only) 6. Base finish (paint) 7. Grommet finish (paint)	<b>Tables</b>  <i>Example:</i> <b>YKTS6030SDHNL, 118, 118</b>  <b>YKTS</b> Antenna Simple Table <b>60</b> Width <b>30</b> Depth <b>SDH</b> Desk Height High Range <b>N</b> No Grommet <b>L</b> Laminate <b>118</b> Bright White Laminate <b>118</b> Bright White Edge <b>118</b> Bright White Leg	<b>Antenna Simple Tables</b>  Antenna Top Table Legs Stiffener Leveling Glides or Casters Attachment Hardware	<b>Antenna Simple Table</b>  (N) No grommet (G) Grommet  For Grommets, add \$50 for rectangular and track shape tops. Add \$25 for round and square.  <b>Top Finish Options:</b> (L) = Laminate (V) = Veneer  Top may be specified in any Knoll core laminate or veneer.  <b>Leg Finish Options:</b>  Legs are available in smooth Knoll core paints, Dark Red (130) and Slate blue (131) paint finishes.

# Antenna Simple Tables

## Track Tables

### 36" Deep

description	type	w	d	h	pattern no.	Laminate (L)	V1 (V)	V2 (V)	V3 (V)
36"D Antenna Simple Tables with Track Shaped Tops	Desk height high range	72"	36"	28½"	<b>YKTT7236SDHN</b>	\$1,304.	\$2,575.	\$2,682.	\$2,984.
	Desk height low range	72"	36"	25¾"	<b>YKTT7236SDLN</b>	1,304.	2,575.	2,682.	2,984.
	Desk height with casters	72"	36"	28½"	<b>YKTT7236SDCN</b>	1,354.	2,614.	2,721.	3,023.



Ordering Information	Order Code	Included With	Options
<b>Antenna Simple Tables</b>	<b>Tables</b>	<b>Antenna Simple Tables</b>	<b>Antenna Simple Table</b>
1. Pattern Number	<i>Example:</i> <b>YKTS6030SDHNL, 118, 118</b>	Antenna Top	(N) No grommet
2. Grommet / no grommet		Table Legs	(C) Grommet
3. Top finish type	<b>YKTS</b> Antenna Simple Table	Stiffener	For Grommets, add \$50 for rectangular and track shape tops. Add \$25 for round and square.
4. Top finish	<b>60</b> Width	Leveling Glides or Casters	<b>Top Finish Options:</b>
5. Edge Finish (for laminate tops only)	<b>30</b> Depth	Attachment Hardware	(L) = Laminate
6. Base finish (paint)	<b>SDH</b> Desk Height High Range		(V) = Veneer
7. Grommet finish (paint)	<b>N</b> No Grommet		Top may be specified in any Knoll core laminate or veneer.
	<b>L</b> Laminate		<b>Leg Finish Options:</b>
	<b>118</b> Bright White Laminate		Legs are available in smooth Knoll core paints, Dark Red (130) and Slate blue (131) paint finishes.
	<b>118</b> Bright White Edge		
	<b>118</b> Bright White Leg		

# Antenna Simple Table Modesty Panels

## Planning Guidelines and Specifications

Modesty panels enable full width, flush enclosure under Antenna Simple tables. Modesty panels are suspended from the desktop and available in half height or full height versions. In both heights, modesty panels can be specified with or without a 1 ¼" high cord passage at the top to enable wire management or clamp-on accessories like Sapper monitor arm or desktop outlet center.

Half height modesty panels for Antenna Simple tables start at 10 ½" above the floor on desk height high range and tables specified with casters, and 7 ¾" above the floor on desk height low range tables. Both modesty heights correspond in width to desk tops and are available in 6" wide increments from 36" to 84".

Modesty panels include two or three brackets to the underside of a desktop and offset brackets to secure the inside of the panel to the back of Antenna Simple table legs. Offset brackets define a ¾" space between the inside of the panel and the back edge of the table legs.

Full height modesty panels should not be planned in combination with desk height low range or tables on casters.

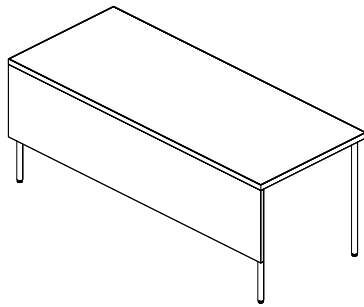
Modesty panel brackets do not deface the legs and may be added or removed without disassembling the table.

### Construction

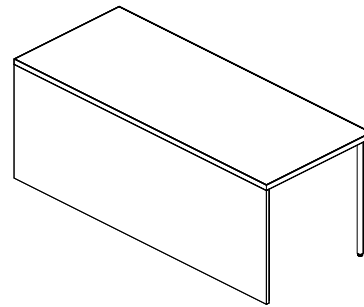
Modesty panels are ¾" thick veneer, laminate or painted wood and include steel and cast aluminum brackets.

### Specification Options

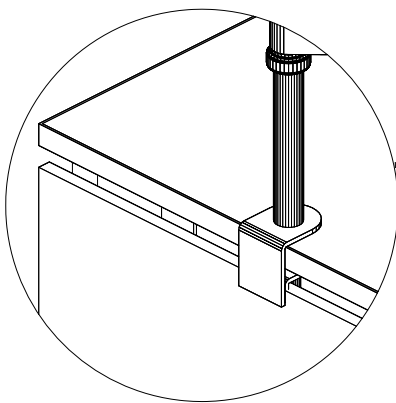
Specify modesty panels in any Knoll Core paint finish, solid and pattern laminate or veneer. Brushed Sand (122) and Brushed Grey (123) are not available on modesty panels. Specify bracket color in any Knoll Core paint finish.



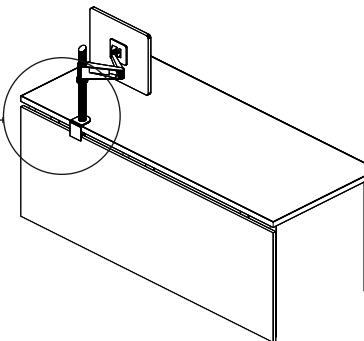
Simple Table with Partial Height Modesty Panel



Simple Table with Full Height Modesty Panel



Sapper Monitor Arm Desk Clamp with Modesty Panel Cord Passage

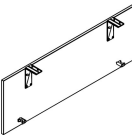


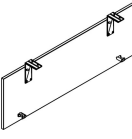
Simple Table with Full Height Modesty Panel with Cord Passage

# Modesty Panels for Simple Tables

## Half Height

### Painted, Laminate or Veneer

description	type	w	d	h	pattern no.	Painted (P)	Laminate (L)	V1 (V)	V2 (V)	V3 (V)
	For 36" Wide Tops	36"	1 1/8"	16 7/8"	<b>YMPT1736()</b>	\$252.	\$276.	\$603.	\$693.	\$901.
	For 42" Wide Tops	42"	1 1/8"	16 7/8"	<b>YMPT1742()</b>	259.	282.	622.	715.	931.
	For 48" Wide Tops	48"	1 1/8"	16 7/8"	<b>YMPT1748()</b>	264.	303.	646.	744.	967.
	For 54" Wide Tops	54"	1 1/8"	16 7/8"	<b>YMPT1754()</b>	270.	310.	670.	771.	1,002.
	For 60" Wide Tops	60"	1 1/8"	16 7/8"	<b>YMPT1760()</b>	317.	396.	719.	826.	1,074.
	For 66" Wide Tops	66"	1 1/8"	16 7/8"	<b>YMPT1766()</b>	357.	436.	738.	849.	1,104.
	For 72" Wide Tops	72"	1 1/8"	16 7/8"	<b>YMPT1772()</b>	362.	442.	758.	872.	1,134.
	For 78" Wide Tops	78"	1 1/8"	16 7/8"	<b>YMPT1778()</b>	368.	447.	786.	905.	1,177.
For 84" Wide Tops	84"	1 1/8"	16 7/8"	<b>YMPT1784()</b>	373.	452.	806.	928.	1,205.	

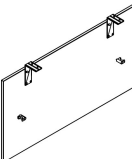
	Modesty Panel for Simple Tables, Half Height with Cord Passage	For 36" Wide Tops	36"	1 1/8"	15 7/8"	<b>YMPT1636()</b>	252.	276.	603.	693.	901.
	For 42" Wide Tops	42"	1 1/8"	15 7/8"	<b>YMPT1642()</b>	259.	282.	622.	715.	931.	
	For 48" Wide Tops	48"	1 1/8"	15 7/8"	<b>YMPT1648()</b>	264.	303.	646.	744.	967.	
	For 54" Wide Tops	54"	1 1/8"	15 7/8"	<b>YMPT1654()</b>	270.	310.	670.	771.	1,002.	
	For 60" Wide Tops	60"	1 1/8"	15 7/8"	<b>YMPT1660()</b>	317.	396.	719.	826.	1,074.	
	For 66" Wide Tops	66"	1 1/8"	15 7/8"	<b>YMPT1666()</b>	357.	436.	738.	849.	1,104.	
	For 72" Wide Tops	72"	1 1/8"	15 7/8"	<b>YMPT1672()</b>	362.	442.	758.	872.	1,134.	
	For 78" Wide Tops	78"	1 1/8"	15 7/8"	<b>YMPT1678()</b>	368.	447.	786.	905.	1,177.	
	For 84" Wide Tops	84"	1 1/8"	15 7/8"	<b>YMPT1684()</b>	373.	452.	806.	928.	1,205.	

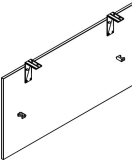
Antenna Simple Tables

Ordering Information	Order Code	Included With	Options
<b>Modesty Panels for Simple Tables</b> 1. Pattern Number 2. Surface Finish 3. Bracket Paint Finish	<b>Modesty Panels for Simple Tables</b> <i>Example:</i> YMPT1748P, 118T, 118T <b>YMPT</b> Modesty Panel Simple Table <hr/> <b>17</b> Height <hr/> <b>48</b> Width <hr/> <b>P</b> Paint <hr/> <b>118T</b> Bright White Paint <hr/> <b>118T</b> Bright White Paint	<b>Modesty Panels for Simple Tables</b> Attachment brackets Hardware	<b>Modesty Panels for Simple Tables</b> <b>Finish Options:</b> (P)=Painted (L)=Laminate (V)=Veneer



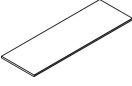
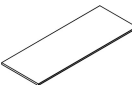
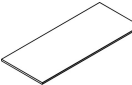
Modesty Panels for Simple Tables  
*Full Height*  
*Painted, Laminate or Veneer*

description	type	w	d	h	pattern no.	Painted (P)	Laminate (L)	V1 (V)	V2 (V)	V3 (V)
	For 36" Wide Tops	36"	1 1/8"	26 7/8"	<b>YMPT2736()</b>	\$272.	\$342.	\$673.	\$775.	\$1,007.
	For 42" Wide Tops	42"	1 1/8"	26 7/8"	<b>YMPT2742()</b>	281.	352.	702.	807.	1,049.
	For 48" Wide Tops	48"	1 1/8"	26 7/8"	<b>YMPT2748()</b>	290.	359.	738.	850.	1,105.
	For 54" Wide Tops	54"	1 1/8"	26 7/8"	<b>YMPT2754()</b>	298.	366.	767.	883.	1,148.
	For 60" Wide Tops	60"	1 1/8"	26 7/8"	<b>YMPT2760()</b>	350.	495.	832.	959.	1,246.
	For 66" Wide Tops	66"	1 1/8"	26 7/8"	<b>YMPT2766()</b>	392.	538.	863.	993.	1,190.
	For 72" Wide Tops	72"	1 1/8"	26 7/8"	<b>YMPT2772()</b>	401.	546.	891.	1,025.	1,332.
	For 78" Wide Tops	78"	1 1/8"	26 7/8"	<b>YMPT2778()</b>	410.	554.	929.	1,067.	1,388.
	For 84" Wide Tops	84"	1 1/8"	26 7/8"	<b>YMPT2784()</b>	418.	562.	957.	1,100.	1,430.

	For 36" Wide Tops	36"	1 1/8"	26 1/2"	<b>YMPT2636()</b>	272.	342.	673.	775.	1,007.
	For 42" Wide Tops	42"	1 1/8"	26 7/8"	<b>YMPT2642()</b>	281.	352.	702.	807.	1,049.
	For 48" Wide Tops	48"	1 1/8"	26 7/8"	<b>YMPT2648()</b>	290.	359.	738.	850.	1,105.
	For 54" Wide Tops	54"	1 1/8"	26 7/8"	<b>YMPT2654()</b>	298.	366.	767.	883.	1,148.
	For 60" Wide Tops	60"	1 1/8"	26 7/8"	<b>YMPT2660()</b>	350.	495.	832.	959.	1,246.
	For 66" Wide Tops	66"	1 1/8"	26 7/8"	<b>YMPT2666()</b>	392.	538.	863.	993.	1,190.
	For 72" Wide Tops	72"	1 1/8"	26 7/8"	<b>YMPT2672()</b>	401.	546.	891.	1,025.	1,332.
	For 78" Wide Tops	78"	1 1/8"	26 7/8"	<b>YMPT2678()</b>	410.	554.	929.	1,067.	1,388.
	For 84" Wide Tops	84"	1 1/8"	26 7/8"	<b>YMPT2684()</b>	418.	562.	957.	1,100.	1,430.

Ordering Information	Order Code	Included With	Options
<b>Modesty Panels for Simple Tables</b>	<b>Modesty Panels for Simple Tables</b>	<b>Modesty Panels for Simple Tables</b>	<b>Modesty Panels for Simple Tables</b>
1. Pattern Number	<i>Example:</i> YMPT1748P, 118T, 118T	Attachment brackets	<b>Finish Options:</b>
2. Surface Finish		Hardware	(P)=Painted
3. Bracket Paint Finish	<b>YMPT</b> Modesty Panel Simple Table		(L)=Laminate
	<b>17</b> Height		(V)=Veneer
	<b>48</b> Width		
	<b>P</b> Paint		
	<b>118T</b> Bright White Paint		
	<b>118T</b> Bright White Paint		

# Antenna Telescope Tops for Adjustable Dual Tables 24", 27" and 30" Deep Rectangular

description	type	w	d	h	pattern no.	Laminate (L)	V1 (V)	V2 (V)	V3 (V)
Antenna Telescope Adjustable Tops, 24" Deep Rectangular 	For use with Telescope Adjustable Dual Tables	47"	24"	1 1/4"	<b>YTT4724( )</b>	\$295.	\$510.	\$586.	\$793.
	For use with Telescope Adjustable Dual Tables	53"	24"	1 1/4"	<b>YTT5324( )</b>	320.	544.	626.	846.
	For use with Telescope Adjustable Dual Tables	59"	24"	1 1/4"	<b>YTT5924( )</b>	345.	479.	666.	900.
	For use with Telescope Adjustable Dual Tables	65"	24"	1 1/4"	<b>YTT6524( )</b>	373.	603.	693.	935.
	For use with Telescope Adjustable Dual Tables	71"	24"	1 1/4"	<b>YTT7124( )</b>	388.	625.	720.	971.
	For use with Telescope Adjustable Dual Tables	77"	24"	1 1/4"	<b>YTT7724( )</b>	418.	654.	753.	1,017.
	For use with Telescope Adjustable Dual Tables	83"	24"	1 1/4"	<b>YTT8324( )</b>	443.	684.	785.	1,061.
Antenna Telescope Adjustable Tops, 27" Deep Rectangular 	For use with Telescope Adjustable Dual Tables	47"	27"	1 1/4"	<b>YTT4727( )</b>	320.	539.	620.	838.
	For use with Telescope Adjustable Dual Tables	53"	27"	1 1/4"	<b>YTT5327( )</b>	356.	574.	660.	890.
	For use with Telescope Adjustable Dual Tables	59"	27"	1 1/4"	<b>YTT5927( )</b>	387.	608.	699.	944.
	For use with Telescope Adjustable Dual Tables	65"	27"	1 1/4"	<b>YTT6527( )</b>	425.	625.	720.	971.
	For use with Telescope Adjustable Dual Tables	71"	27"	1 1/4"	<b>YTT7127( )</b>	445.	648.	747.	1,006.
	For use with Telescope Adjustable Dual Tables	77"	27"	1 1/4"	<b>YTT7727( )</b>	475.	676.	779.	1,051.
	For use with Telescope Adjustable Dual Tables	83"	27"	1 1/4"	<b>YTT8327( )</b>	504.	705.	811.	1,096.
Antenna Telescope Adjustable Tops, 30" Deep Rectangular 	For use with Telescope Adjustable Dual Tables	47"	30"	1 1/4"	<b>YTT4730( )</b>	345.	574.	660.	890.
	For use with Telescope Adjustable Dual Tables	53"	30"	1 1/4"	<b>YTT5330( )</b>	392.	608.	699.	944.
	For use with Telescope Adjustable Dual Tables	59"	30"	1 1/4"	<b>YTT5930( )</b>	431.	643.	738.	997.
	For use with Telescope Adjustable Dual Tables	65"	30"	1 1/4"	<b>YTT6530( )</b>	481.	654.	753.	1,017.
	For use with Telescope Adjustable Dual Tables	71"	30"	1 1/4"	<b>YTT7130( )</b>	498.	677.	779.	1,051.
	For use with Telescope Adjustable Dual Tables	77"	30"	1 1/4"	<b>YTT7730( )</b>	533.	705.	811.	1,096.
	For use with Telescope Adjustable Dual Tables	83"	30"	1 1/4"	<b>YTT8330( )</b>	566.	734.	845.	1,141.

Antenna Telescope

### Ordering Information

#### Antenna Telescope Tops

1. Pattern Number
2. Top Finish Type
3. Top Finish
4. Edge Finish  
(for laminate tops only)

### Order Code

#### Antenna Telescope Tops

*Example:* **YTT5930L, 118, 118**

<b>YTT</b>	Antenna Telescope Top
<b>59</b>	Width
<b>30</b>	Depth
<b>L</b>	Laminate
<b>118</b>	Bright White Laminate
<b>118</b>	Bright White Edge

### Included With

#### Antenna Telescope Tops

### Options

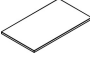


#### Antenna Telescope Tops

#### Top Finish Options:

Add an (L) for laminate or (V) for veneer suffix to pattern number.

# Antenna Telescope Return Tops for Dual Tables

## 24", 27" and 30" Deep Rectangular

description	type	w	d	h	pattern no.	Laminate (L)	V1 (V)	V2 (V)	V3 (V)
Antenna Telescope Return Tops, 24" Deep Rectangular 	For use with Telescope Return Bases	30"	24"	1 1/4"	<b>YTTR3024( )</b>	\$207.	\$443.	\$508.	\$687.
	For use with Telescope Return Bases	36"	24"	1 1/4"	<b>YTTR3624( )</b>	231.	464.	535.	722.
	For use with Telescope Return Bases	42"	24"	1 1/4"	<b>YTTR4224( )</b>	264.	488.	562.	757.
	For use with Telescope Return Bases	48"	24"	1 1/4"	<b>YTTR4824( )</b>	295.	510.	586.	793.
	For use with Telescope Return Bases	54"	24"	1 1/4"	<b>YTTR5424( )</b>	320.	544.	626.	846.
	For use with Telescope Return Bases	60"	24"	1 1/4"	<b>YTTR6024( )</b>	345.	579.	666.	900.
	For use with Telescope Return Bases	66"	24"	1 1/4"	<b>YTTR6624( )</b>	373.	603.	693.	935.
	For use with Telescope Return Bases	72"	24"	1 1/4"	<b>YTTR7224( )</b>	388.	625.	720.	971.
Antenna Telescope Return Tops, 27" Deep Rectangular 	For use with Telescope Return Bases	30"	27"	1 1/4"	<b>YTTR3027( )</b>	233.	459.	528.	713.
	For use with Telescope Return Bases	36"	27"	1 1/4"	<b>YTTR3627( )</b>	259.	488.	562.	757.
	For use with Telescope Return Bases	42"	27"	1 1/4"	<b>YTTR4227( )</b>	289.	510.	586.	793.
	For use with Telescope Return Bases	48"	27"	1 1/4"	<b>YTTR4827( )</b>	320.	539.	620.	838.
	For use with Telescope Return Bases	54"	27"	1 1/4"	<b>YTTR5427( )</b>	356.	574.	660.	890.
	For use with Telescope Return Bases	60"	27"	1 1/4"	<b>YTTR6027( )</b>	387.	608.	699.	944.
	For use with Telescope Return Bases	66"	27"	1 1/4"	<b>YTTR6627( )</b>	425.	625.	720.	971.
	For use with Telescope Return Bases	72"	27"	1 1/4"	<b>YTTR7227( )</b>	445.	648.	747.	1,006.
Antenna Telescope Return Tops, 30" Deep Rectangular 	For use with Telescope Return Bases	30"	30"	1 1/4"	<b>YTTR3030( )</b>	259.	483.	554.	749.
	For use with Telescope Return Bases	36"	30"	1 1/4"	<b>YTTR3630( )</b>	285.	517.	596.	802.
	For use with Telescope Return Bases	42"	30"	1 1/4"	<b>YTTR4230( )</b>	312.	534.	614.	828.
	For use with Telescope Return Bases	48"	30"	1 1/4"	<b>YTTR4830( )</b>	345.	574.	660.	890.
	For use with Telescope Return Bases	54"	30"	1 1/4"	<b>YTTR5430( )</b>	392.	608.	699.	944.
	For use with Telescope Return Bases	60"	30"	1 1/4"	<b>YTTR6030( )</b>	431.	643.	738.	997.
	For use with Telescope Return Bases	66"	30"	1 1/4"	<b>YTTR6630( )</b>	481.	654.	753.	1,017.
	For use with Telescope Return Bases	72"	30"	1 1/4"	<b>YTTR7230( )</b>	498.	677.	779.	1,051.

**Ordering Information**

**Antenna Telescope Tops**

1. Pattern Number
2. Top Finish Type
3. Top Finish
4. Edge Finish  
(for laminate tops only)

**Order Code**

**Antenna Telescope Tops**

*Example:* **YTTR5930L, 118, 118**

<b>YTTR</b>	Antenna Telescope Return Top
<b>59</b>	Width
<b>30</b>	Depth
<b>L</b>	Laminate
<b>118</b>	Bright White Laminate
<b>118</b>	Bright White Edge

**Included With**

**Antenna Telescope Tops**

**Options**

**Antenna Telescope Tops**

**Top Finish Options:**

Add an (L) for laminate or (V) for veneer suffix to pattern number.

# Antenna Telescope Dual Table Bases

## Standard Electric

### With Beam and Dual Utility Trays

description	type	w	d	pattern no.	list
Telescope Base, Height Adjustable Standard Electric, with Beam and Dual Trays, Standalone	For use in standalone application	48"	45"	<b>YBTESBTS48</b>	\$7,880.
	For use in standalone application	54"	45"	<b>YBTESBTS54</b>	7,955.
	For use in standalone application	60"	45"	<b>YBTESBTS60</b>	8,005.
	For use in standalone application	66"	45"	<b>YBTESBTS66</b>	8,040.
	For use in standalone application	72"	45"	<b>YBTESBTS72</b>	8,060.
	For use in standalone application	78"	45"	<b>YBTESBTS78</b>	8,205.
	For use in standalone application	84"	45"	<b>YBTESBTS84</b>	8,465.



Telescope Base, Height Adjustable Standard Electric, with Beam and Dual Trays, End	For use in end application	48"	45"	<b>YBTESBTE48</b>	7,935.
	For use in end application	54"	45"	<b>YBTESBTE54</b>	8,010.
	For use in end application	60"	45"	<b>YBTESBTE60</b>	8,060.
	For use in end application	66"	45"	<b>YBTESBTE66</b>	8,095.
	For use in end application	72"	45"	<b>YBTESBTE72</b>	8,115.
	For use in end application	78"	45"	<b>YBTESBTE78</b>	8,260.
	For use in end application	84"	45"	<b>YBTESBTE84</b>	8,520.



Telescope Base, Height Adjustable Standard Electric, with Beam and Dual Trays, Intermediate	For use in intermediate application	48"	45"	<b>YBTESBTI48</b>	7,990.
	For use in intermediate application	54"	45"	<b>YBTESBTI54</b>	8,065.
	For use in intermediate application	60"	45"	<b>YBTESBTI60</b>	8,115.
	For use in intermediate application	66"	45"	<b>YBTESBTI66</b>	8,150.
	For use in intermediate application	72"	45"	<b>YBTESBTI72</b>	8,170.
	For use in intermediate application	78"	45"	<b>YBTESBTI78</b>	8,315.
	For use in intermediate application	84"	45"	<b>YBTESBTI84</b>	8,575.



#### Ordering Information

##### Antenna Telescope Dual Table Bases

1. Pattern Number
2. Control Switch
3. Base Paint Finish

#### Order Code

##### Antenna Telescope Dual Table Bases

*Example:* **YBTESBTE60, D, 118T**

<b>YBT</b>	Antenna Telescope Base
<b>ES</b>	Standard Electric
<b>BT</b>	With Beam and Trays
<b>E</b>	End position
<b>60</b>	Width
<b>D</b>	Digital Display
<b>118T</b>	Bright White Paint

#### Included With

##### Antenna Telescope Dual Table Bases

Columns  
Center beam  
Dual Trays  
Rails  
Connecting Hardware

#### Options

##### Antenna Telescope Dual Table Bases

##### Control Switch Options:

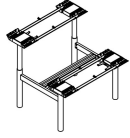
(S) = Standard up/down control switch  
  
(D) = Digital Display with programmable setting.  
Add \$618 list for the digital display selection.

# Antenna Telescope Dual Table Bases

## Standard Electric

### With Beam Only

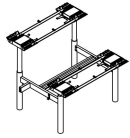
description	type	w	d	pattern no.	list
Telescope Base, Height Adjustable Standard Electric, with Beam, Standalone	For use in standalone application	48"	45"	<b>YBTESBNS48</b>	\$7,325.
	For use in standalone application	54"	45"	<b>YBTESBNS54</b>	7,365.
	For use in standalone application	60"	45"	<b>YBTESBNS60</b>	7,500.
	For use in standalone application	66"	45"	<b>YBTESBNS66</b>	7,510.
	For use in standalone application	72"	45"	<b>YBTESBNS72</b>	7,525.
	For use in standalone application	78"	45"	<b>YBTESBNS78</b>	7,555.
	For use in standalone application	84"	45"	<b>YBTESBNS84</b>	7,765.



Telescope Base, Height Adjustable Standard Electric, with Beam, End	For use in end application	48"	45"	<b>YBTESBNE48</b>	7,380.
	For use in end application	54"	45"	<b>YBTESBNE54</b>	7,420.
	For use in end application	60"	45"	<b>YBTESBNE60</b>	7,555.
	For use in end application	66"	45"	<b>YBTESBNE66</b>	7,565.
	For use in end application	72"	45"	<b>YBTESBNE72</b>	7,580.
	For use in end application	78"	45"	<b>YBTESBNE78</b>	7,610.
	For use in end application	84"	45"	<b>YBTESBNE84</b>	7,820.



Telescope Base, Height Adjustable Standard Electric, with Beam, Intermediate	For use in intermediate application	48"	45"	<b>YBTESBNI48</b>	7,435.
	For use in intermediate application	54"	45"	<b>YBTESBNI54</b>	7,475.
	For use in intermediate application	60"	45"	<b>YBTESBNI60</b>	7,610.
	For use in intermediate application	66"	45"	<b>YBTESBNI66</b>	7,620.
	For use in intermediate application	72"	45"	<b>YBTESBNI72</b>	7,635.
	For use in intermediate application	78"	45"	<b>YBTESBNI78</b>	7,665.
	For use in intermediate application	84"	45"	<b>YBTESBNI84</b>	7,875.



#### Ordering Information

##### Antenna Telescope Dual Table Bases

1. Pattern Number
2. Control Switch
3. Base Paint Finish

#### Order Code

##### Antenna Telescope Dual Table Bases

*Example:* **YBTESBNE60, D, 118T**

<b>YBT</b>	Antenna Telescope Base
<b>ES</b>	Standard Electric
<b>BN</b>	With Beam Only
<b>E</b>	End position
<b>60</b>	Width
<b>D</b>	Digital Display
<b>118T</b>	Bright White Paint

#### Included With

##### Antenna Telescope Dual Table Bases

Columns  
Center beam  
Rails  
Connecting Hardware

#### Options

##### Antenna Telescope Dual Table Bases

##### Control Switch Options:

(S) = Standard up/down control switch  
  
(D) = Digital Display with programmable setting. Add \$618 list for the digital display selection.

# Antenna Telescope Dual Table Bases

## Standard Electric

### Without Beam and Dual Utility Trays

description	type	w	d	pattern no.	list
Telescope Base, Height Adjustable Standard Electric, without Beam and Tray, Standalone	For use in standalone application	48"	45"	<b>YBTESNNS48</b>	\$7,070.
	For use in standalone application	54"	45"	<b>YBTESNNS54</b>	7,110.
	For use in standalone application	60"	45"	<b>YBTESNNS60</b>	7,145.
	For use in standalone application	66"	45"	<b>YBTESNNS66</b>	7,150.
	For use in standalone application	72"	45"	<b>YBTESNNS72</b>	7,165.
	For use in standalone application	78"	45"	<b>YBTESNNS78</b>	7,195.
	For use in standalone application	84"	45"	<b>YBTESNNS84</b>	7,410.



#### Ordering Information

##### Antenna Telescope Dual Table Bases

1. Pattern Number
2. Control Switch
3. Base Paint Finish

#### Order Code

##### Antenna Telescope Dual Table Bases

*Example:* **YBTESNNE60, D, 118T**

<b>YBT</b>	Antenna Telescope Base
<b>ES</b>	Standard Electric
<b>NN</b>	Without Beam and Trays
<b>E</b>	End position
<b>60</b>	Width
<b>D</b>	Digital Display
<b>118T</b>	Bright White Paint

#### Included With

##### Antenna Telescope Dual Table Bases

Columns  
Rails  
Connecting Hardware

#### Options

##### Antenna Telescope Dual Table Bases

##### Control Switch Options:

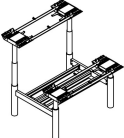
(S) = Standard up/down control switch

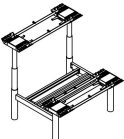
(D) = Digital Display with programmable setting. Add \$618 list for the digital display selection.

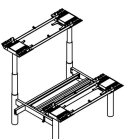
# Antenna Telescope Dual Table Bases

## *Extended Electric*

### *With Beam and Dual Utility Trays*

description	type	w	d	pattern no.	list
Telescope Base, Height Adjustable Extended Electric, with Beam and Dual Trays, Standalone 	For use in standalone application	48"	45"	<b>YBTEXBTS48</b>	\$8,880.
	For use in standalone application	54"	45"	<b>YBTEXBTS54</b>	8,955.
	For use in standalone application	60"	45"	<b>YBTEXBTS60</b>	9,005.
	For use in standalone application	66"	45"	<b>YBTEXBTS66</b>	9,040.
	For use in standalone application	72"	45"	<b>YBTEXBTS72</b>	9,060.
	For use in standalone application	78"	45"	<b>YBTEXBTS78</b>	9,205.
	For use in standalone application	84"	45"	<b>YBTEXBTS84</b>	9,465.

Telescope Base, Height Adjustable Extended Electric, with Beam and Dual Trays, End 	For use in end application	48"	45"	<b>YBTEXBTE48</b>	8,935.
	For use in end application	54"	45"	<b>YBTEXBTE54</b>	9,010.
	For use in end application	60"	45"	<b>YBTEXBTE60</b>	9,060.
	For use in end application	66"	45"	<b>YBTEXBTE66</b>	9,095.
	For use in end application	72"	45"	<b>YBTEXBTE72</b>	9,115.
	For use in end application	78"	45"	<b>YBTEXBTE78</b>	9,260.
	For use in end application	84"	45"	<b>YBTEXBTE84</b>	9,520.

Telescope Base, Height Adjustable Extended Electric, with Beam and Dual Trays, Intermediate 	For use in intermediate application	48"	45"	<b>YBTEXBTI48</b>	8,990.
	For use in intermediate application	54"	45"	<b>YBTEXBTI54</b>	9,065.
	For use in intermediate application	60"	45"	<b>YBTEXBTI60</b>	9,115.
	For use in intermediate application	66"	45"	<b>YBTEXBTI66</b>	9,150.
	For use in intermediate application	72"	45"	<b>YBTEXBTI72</b>	9,170.
	For use in intermediate application	78"	45"	<b>YBTEXBTI78</b>	9,315.
	For use in intermediate application	84"	45"	<b>YBTEXBTI84</b>	9,575.

#### Ordering Information

#### Antenna Telescope Dual Table Bases

1. Pattern Number
2. Control Switch
3. Base Paint Finish

#### Order Code

#### Antenna Telescope Dual Table Bases

*Example:* **YBTEXBTE60, D, 118T**

<b>YBT</b>	Antenna Telescope Base
<b>EX</b>	Extended Electric
<b>BT</b>	With Beam and Trays
<b>E</b>	End position
<b>60</b>	Width
<b>D</b>	Digital Display
<b>118T</b>	Bright White Paint

#### Included With

#### Antenna Telescope Dual Table Bases

Columns  
 Center beam  
 Dual Trays  
 Rails  
 Connecting Hardware

#### Options

#### Antenna Telescope Dual Table Bases

#### Control Switch Options:

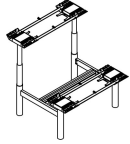
(S) = Standard up/down control switch  
 (D) = Digital Display with programmable setting.  
 Add \$618 list for the digital display selection.

# Antenna Telescope Dual Table Bases

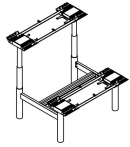
## Extended Electric

### With Beam Only

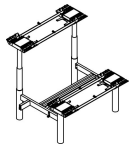
description	type	w	d	pattern no.	list
Telescope Base, Height Adjustable Extended Electric, with Beam, Standalone	For use in standalone application	48"	45"	<b>YBTEXBNS48</b>	\$8,325.
	For use in standalone application	54"	45"	<b>YBTEXBNS54</b>	8,365.
	For use in standalone application	60"	45"	<b>YBTEXBNS60</b>	8,500.
	For use in standalone application	66"	45"	<b>YBTEXBNS66</b>	8,510.
	For use in standalone application	72"	45"	<b>YBTEXBNS72</b>	8,525.
	For use in standalone application	78"	45"	<b>YBTEXBNS78</b>	8,555.
	For use in standalone application	84"	45"	<b>YBTEXBNS84</b>	8,765.



Telescope Base, Height Adjustable Extended Electric, with Beam, End	For use in end application	48"	45"	<b>YBTEXBNE48</b>	8,380.
	For use in end application	54"	45"	<b>YBTEXBNE54</b>	8,420.
	For use in end application	60"	45"	<b>YBTEXBNE60</b>	8,555.
	For use in end application	66"	45"	<b>YBTEXBNE66</b>	8,565.
	For use in end application	72"	45"	<b>YBTEXBNE72</b>	8,580.
	For use in end application	78"	45"	<b>YBTEXBNE78</b>	8,610.
	For use in end application	84"	45"	<b>YBTEXBNE84</b>	8,820.



Telescope Base, Height Adjustable Extended Electric, with Beam, Intermediate	For use in intermediate application	48"	45"	<b>YBTEXBNI48</b>	8,435.
	For use in intermediate application	54"	45"	<b>YBTEXBNI54</b>	8,475.
	For use in intermediate application	60"	45"	<b>YBTEXBNI60</b>	8,610.
	For use in intermediate application	66"	45"	<b>YBTEXBNI66</b>	8,620.
	For use in intermediate application	72"	45"	<b>YBTEXBNI72</b>	8,635.
	For use in intermediate application	78"	45"	<b>YBTEXBNI78</b>	8,665.
	For use in intermediate application	84"	45"	<b>YBTEXBNI84</b>	8,875.



#### Ordering Information

##### Antenna Telescope Dual Table Bases

1. Pattern Number
2. Control Switch
3. Base Paint Finish

#### Order Code

##### Antenna Telescope Dual Table Bases

*Example:* **YBTEXBNE60, D, 118T**

<b>YBT</b>	Antenna Telescope Base
<b>EX</b>	Extended Electric
<b>BN</b>	With Beam Only
<b>E</b>	End position
<b>60</b>	Width
<b>D</b>	Digital Display
<b>118T</b>	Bright White Paint

#### Included With

##### Antenna Telescope Dual Table Bases

Columns  
Center beam  
Rails  
Connecting Hardware

#### Options

##### Antenna Telescope Dual Table Bases

##### Control Switch Options:

(S) = Standard up/down control switch  
  
(D) = Digital Display with programmable setting.  
Add \$618 list for the digital display selection.

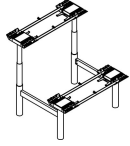


# Antenna Telescope Dual Table Bases

## *Extended Electric*

### *Without Beam and Dual Utility Trays*

description	type	w	d	pattern no.	list
Telescope Base, Height Adjustable Extended Electric, without Beam and Tray, Standalone	For use in standalone application	48"	45"	<b>YBTEXNNS48</b>	\$8,070.
	For use in standalone application	54"	45"	<b>YBTEXNNS54</b>	8,110.
	For use in standalone application	60"	45"	<b>YBTEXNNS60</b>	8,145.
	For use in standalone application	66"	45"	<b>YBTEXNNS66</b>	8,150.
	For use in standalone application	72"	45"	<b>YBTEXNNS72</b>	8,165.
	For use in standalone application	78"	45"	<b>YBTEXNNS78</b>	8,195.
	For use in standalone application	84"	45"	<b>YBTEXNNS84</b>	8,410.



#### Ordering Information

##### Antenna Telescope Dual Table Bases

1. Pattern Number
2. Control Switch
3. Base Paint Finish

#### Order Code

##### Antenna Telescope Dual Table Bases

*Example:* **YBTEXNNE60, D, 118T**

<b>YBT</b>	Antenna Telescope Base
<b>EX</b>	Extended Electric
<b>NN</b>	Without Beam and Tray
<b>E</b>	End position
<b>60</b>	Width
<b>D</b>	Digital Display
<b>118T</b>	Bright White Paint

#### Included With

##### Antenna Telescope Dual Table Bases

Columns  
 Rails  
 Connecting Hardware

#### Options


##### Antenna Telescope Dual Table Bases

##### Control Switch Options:

(S) = Standard up/down control switch  
 (D) = Digital Display with programmable setting.  
 Add \$618 list for the digital display selection.

# Antenna Telescope Return Bases

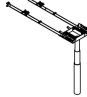
## Standard Electric

description	type	w	d	pattern no.	list
 Telescope Return Base, Height Adjustable Standard Electric	For 54"W Return, Includes Depth of Adjoining Top	15"	54"	<b>YBTRES54</b>	\$1,850.
	For 57"W Return, Includes Depth of Adjoining Top	15"	57"	<b>YBTRES57</b>	1,855.
	For 60"W Return, Includes Depth of Adjoining Top	15"	60"	<b>YBTRES60</b>	1,865.
	For 63"W Return, Includes Depth of Adjoining Top	15"	63"	<b>YBTRES63</b>	1,875.
	For 66"W Return, Includes Depth of Adjoining Top	15"	66"	<b>YBTRES66</b>	1,880.
	For 69"W Return, Includes Depth of Adjoining Top	15"	69"	<b>YBTRES69</b>	1,885.
	For 72"W Return, Includes Depth of Adjoining Top	15"	72"	<b>YBTRES72</b>	1,895.
	For 75"W Return, Includes Depth of Adjoining Top	15"	75"	<b>YBTRES75</b>	1,900.
	For 78"W Return, Includes Depth of Adjoining Top	15"	78"	<b>YBTRES78</b>	1,905.
	For 81"W Return, Includes Depth of Adjoining Top	15"	81"	<b>YBTRES81</b>	1,915.
	For 84"W Return, Includes Depth of Adjoining Top	15"	84"	<b>YBTRES84</b>	1,920.
	For 87"W Return, Includes Depth of Adjoining Top	15"	87"	<b>YBTRES87</b>	1,922.
	For 90"W Return, Includes Depth of Adjoining Top	15"	90"	<b>YBTRES90</b>	1,925.
	For 93"W Return, Includes Depth of Adjoining Top	15"	93"	<b>YBTRES93</b>	1,935.
	For 96"W Return, Includes Depth of Adjoining Top	15"	96"	<b>YBTRES96</b>	1,950.
	For 99"W Return, Includes Depth of Adjoining Top	15"	99"	<b>YBTRES99</b>	1,952.
For 102"W Return, Includes Depth of Adjoining Top	15"	102"	<b>YBTRES102</b>	1,955.	

Ordering Information	Order Code	Included With	Options
<b>Antenna Telescope Return Bases</b> 1. Pattern Number 2. Base Paint Finish	<b>Antenna Telescope Return Bases</b> <i>Example:</i> <b>YBTRES60, 118T</b> <b>YBTR</b> Antenna Telescope Return Base <b>ES</b> Standard Electric <b>60</b> Depth <b>118T</b> Bright White Paint	<b>Antenna Telescope Return Bases</b> Column Rails Connecting Hardware	<b>Antenna Telescope Return Bases</b>

# Antenna Telescope Return Bases

## *Extended Electric*

description	type	w	d	pattern no.	list
 Telescope Return Base, Height Adjustable Extended Electric	For 54"W Return, Includes Depth of Adjoining Top	15"	54"	<b>YBTREX54</b>	\$2,125.
	For 57"W Return, Includes Depth of Adjoining Top	15"	57"	<b>YBTREX57</b>	2,130.
	For 60"W Return, Includes Depth of Adjoining Top	15"	60"	<b>YBTREX60</b>	2,140.
	For 63"W Return, Includes Depth of Adjoining Top	15"	63"	<b>YBTREX63</b>	2,150.
	For 66"W Return, Includes Depth of Adjoining Top	15"	66"	<b>YBTREX66</b>	2,155.
	For 69"W Return, Includes Depth of Adjoining Top	15"	69"	<b>YBTREX69</b>	2,160.
	For 72"W Return, Includes Depth of Adjoining Top	15"	72"	<b>YBTREX72</b>	2,170.
	For 75"W Return, Includes Depth of Adjoining Top	15"	75"	<b>YBTREX75</b>	2,175.
	For 78"W Return, Includes Depth of Adjoining Top	15"	78"	<b>YBTREX78</b>	2,180.
	For 81"W Return, Includes Depth of Adjoining Top	15"	81"	<b>YBTREX81</b>	2,190.
	For 84"W Return, Includes Depth of Adjoining Top	15"	84"	<b>YBTREX84</b>	2,195.
	For 87"W Return, Includes Depth of Adjoining Top	15"	87"	<b>YBTREX87</b>	2,197.
	For 90"W Return, Includes Depth of Adjoining Top	15"	90"	<b>YBTREX90</b>	2,200.
	For 93"W Return, Includes Depth of Adjoining Top	15"	93"	<b>YBTREX93</b>	2,210.
	For 96"W Return, Includes Depth of Adjoining Top	15"	96"	<b>YBTREX96</b>	2,225.
For 99"W Return, Includes Depth of Adjoining Top	15"	99"	<b>YBTREX99</b>	2,227.	
For 102"W Return, Includes Depth of Adjoining Top	15"	102"	<b>YBTREX102</b>	2,230.	

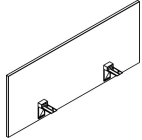
Antenna Telescope

Ordering Information	Order Code	Included With	Options
<b>Antenna Telescope Return Bases</b> 1. Pattern Number 2. Base Paint Finish	<b>Antenna Telescope Return Bases</b>  <i>Example:</i> <b>YBTREX60, 118T</b> <b>YBTR</b> Antenna Telescope Return Base <b>EX</b> Extended Electric <b>60</b> Depth <b>118T</b> Bright White Paint	<b>Antenna Telescope Return Bases</b>  Column Rails Connecting Hardware	<b>Antenna Telescope Return Bases</b>

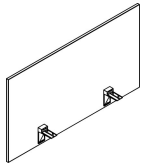
## Fabric

### For 42" and 49" High Horizon

description	w	d	h	pattern no.	10	20	30	40	45
Fabric Screens with Partial Modesty For Telescope Dual Tables, 42"H Horizon	47"	1 1/4"	20"	<b>YPSB2047F</b>	\$780.	\$819.	\$858.	\$897.	\$936.
	53"	1 1/4"	20"	<b>YPSB2053F</b>	838.	880.	920.	964.	1,005.
	59"	1 1/4"	20"	<b>YPSB2059F</b>	889.	934.	979.	1,023.	1,067.
	65"	1 1/4"	20"	<b>YPSB2065FRR</b>	930.	977.	1,023.	1,069.	1,115.
	71"	1 1/4"	20"	<b>YPSB2071FRR</b>	958.	1,006.	1,055.	1,101.	1,150.
	77"	1 1/4"	20"	<b>YPSB2077FRR</b>	1,034.	1,086.	1,137.	1,189.	1,241.
	83"	1 1/4"	20"	<b>YPSB2083FRR</b>	1,117.	1,173.	1,229.	1,285.	1,340.



Fabric Screens with Partial Modesty For Telescope Dual Tables, 49"H Horizon	47"	1 1/4"	26"	<b>YPSB2647F</b>	912.	958.	1,003.	1,049.	1,095.
	53"	1 1/4"	26"	<b>YPSB2653F</b>	976.	1,025.	1,072.	1,121.	1,172.
	59"	1 1/4"	26"	<b>YPSB2659F</b>	1,017.	1,066.	1,117.	1,169.	1,219.
	65"	1 1/4"	26"	<b>YPSB2665FRR</b>	1,062.	1,114.	1,169.	1,221.	1,273.
	71"	1 1/4"	26"	<b>YPSB2671FRR</b>	1,108.	1,161.	1,219.	1,273.	1,329.
	77"	1 1/4"	26"	<b>YPSB2677FRR</b>	1,197.	1,257.	1,316.	1,376.	1,436.
	83"	1 1/4"	26"	<b>YPSB2683FRR</b>	1,292.	1,357.	1,422.	1,486.	1,551.



#### Ordering Information

##### Desk Screens

1. Pattern Number
2. Inside Fabric Finish
3. Outside Fabric Finish
4. Frame Paint Finish
5. Bracket Paint Finish

#### Order Code

##### Desk Screens

*Example:* **YPSB2047F, W351, W351, 118T**

<b>YPSB</b>	Desk Screen
<b>20</b>	Height
<b>47</b>	Width
<b>F</b>	Fabric
<b>W351</b>	Foundation
<b>W351</b>	Foundation
<b>118T</b>	Bright White Paint
<b>118T</b>	Bright White Paint

#### Included With

##### Desk Screens

Brackets  
Hardware

#### Options

##### Desk Screens

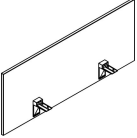
The price of screens specified with a combination of fabrics is the higher of the two fabric grades.

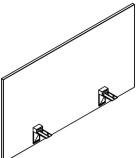
(RR) Fabric is applied railroaded.

# Desk Screens for Telescope Dual Tables

## *Laminate, Markerboard or Veneer*

### *For 42" and 49" High Horizon*

description	w	d	h	pattern no.	Laminate (L)	Laminate (LM)	V1 (V)	V2 (V)	V3 (V)
Screens with Partial Modesty For Telescope Dual Tables, 42"H Horizon	47"	3/4"	20"	<b>YPSB2047( )</b>	\$385.	\$595.	\$595.	\$684.	\$887.
	53"	3/4"	20"	<b>YPSB2053( )</b>	393.	616.	616.	709.	920.
	59"	3/4"	20"	<b>YPSB2059( )</b>	398.	666.	666.	766.	997.
	65"	3/4"	20"	<b>YPSB2065( )</b>	405.	696.	696.	801.	1,040.
	71"	3/4"	20"	<b>YPSB2071( )</b>	411.	719.	719.	826.	1,072.
	77"	3/4"	20"	<b>YPSB2077( )</b>	452.	754.	754.	868.	1,128.
	83"	3/4"	20"	<b>YPSB2083( )</b>	497.	792.	792.	911.	1,184.

Screens with Partial Modesty For Telescope Dual Tables, 49"H Horizon	47"	3/4"	26"	<b>YPSB2647( )</b>	385.	691.	691.	795.	1,033.
	53"	3/4"	26"	<b>YPSB2653( )</b>	393.	720.	720.	826.	1,074.
	59"	3/4"	26"	<b>YPSB2659( )</b>	398.	801.	801.	920.	1,196.
	65"	3/4"	26"	<b>YPSB2665( )</b>	405.	829.	829.	953.	1,240.
	71"	3/4"	26"	<b>YPSB2671( )</b>	518.	858.	858.	987.	1,283.
	77"	3/4"	26"	<b>YPSB2677( )</b>	570.	901.	901.	1,036.	1,347.
	83"	3/4"	26"	<b>YPSB2683( )</b>	627.	946.	946.	1,088.	1,414.

#### Ordering Information

##### Desk Screens

1. Pattern Number
2. Inside Fabric Finish
3. Outside Fabric Finish
4. Frame Paint Finish
5. Bracket Paint Finish

#### Order Code

##### Desk Screens

*Example:* **YPSB2047V, V316, 118T**

<b>YPSB</b>	Desk Screen
<b>20</b>	Height
<b>47</b>	Width
<b>V</b>	Veneer
<b>V316</b>	Maple
<b>118T</b>	Bright White Paint

#### Included With

##### Desk Screens

Brackets  
Hardware

#### Options

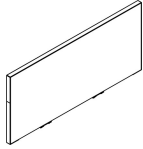
##### Desk Screens

Finish Options:  
(L) = Laminate  
(LM) = Markerboard  
(V) = Veneer

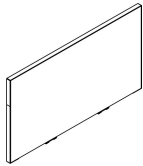
# Center Screens for Telescope Dual Tables

## *Fabric For 42" High Horizon*

description	w	d	h	pattern no.	10	20	30	40	45
Fabric Screens For Telescope Dual Table Beam, Standard Height Range, 42" High Horizon	48"	1 1/4"	22"	<b>YPSCT2248F</b>	\$907.	\$952.	\$997.	\$1,043.	\$1,088.
	54"	1 1/4"	22"	<b>YPSCT2254F</b>	923.	969.	1,015.	1,061.	1,107.
	60"	1 1/4"	22"	<b>YPSCT2260F</b>	943.	990.	1,038.	1,085.	1,132.
	66"	1 1/4"	22"	<b>YPSCT2266FRR</b>	1,133.	1,190.	1,246.	1,303.	1,360.
	72"	1 1/4"	22"	<b>YPSCT2272FRR</b>	1,180.	1,239.	1,298.	1,357.	1,416.
	78"	1 1/4"	22"	<b>YPSCT2278FRR</b>	1,225.	1,286.	1,348.	1,409.	1,470.
	84"	1 1/4"	22"	<b>YPSCT2284FRR</b>	1,283.	1,347.	1,411.	1,476.	1,540.



Fabric Screens For Telescope Dual Table Beam, Extended Height Range, 42" High Horizon	48"	1 1/4"	26"	<b>YPSCT2648F</b>	960.	1,008.	1,056.	1,104.	1,152.
	54"	1 1/4"	26"	<b>YPSCT2654F</b>	976.	1,025.	1,074.	1,123.	1,172.
	60"	1 1/4"	26"	<b>YPSCT2660F</b>	1,003.	1,053.	1,103.	1,153.	1,203.
	66"	1 1/4"	26"	<b>YPSCT2666FRR</b>	1,143.	1,200.	1,257.	1,314.	1,372.
	72"	1 1/4"	26"	<b>YPSCT2672FRR</b>	1,218.	1,279.	1,340.	1,401.	1,462.
	78"	1 1/4"	26"	<b>YPSCT2678FRR</b>	1,276.	1,340.	1,404.	1,468.	1,532.
	84"	1 1/4"	26"	<b>YPSCT2684FRR</b>	1,359.	1,427.	1,495.	1,563.	1,631.



### Ordering Information

#### Center Screens

1. Pattern Number
2. Inside Fabric Finish
3. Outside Fabric Finish
4. Frame Paint Finish

### Order Code

#### Center Screens

*Example:* **YPSCT2248F, W351, W351, 118T**

<b>YPSCT</b>	Telescope Center Screen
<b>22</b>	Height
<b>48</b>	Width
<b>F</b>	Fabric
<b>W351</b>	Foundation
<b>W351</b>	Foundation
<b>118T</b>	Bright White Paint
<b>118T</b>	Bright White Paint

### Included With

#### Center Screens

Brackets  
Hardware

### Options

#### Center Screens

The price of screens specified with a combination of fabrics is the higher of the two fabric grades.

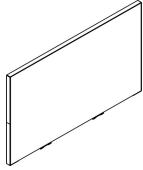
(RR) Fabric is applied railroaded

# Center Screens for Telescope Dual Tables

## *Fabric*

### *For 49" High Horizon*

description	w	d	h	pattern no.	10	20	30	40	45
Fabric Screens For Telescope Dual Table Beam, Standard Height Range, 49" High Horizon	48"	1 1/4"	29"	<b>YPSCT2948F</b>	\$967.	\$1,016.	\$1,064.	\$1,112.	\$1,161.
	54"	1 1/4"	29"	<b>YPSCT2954F</b>	1,010.	1,060.	1,111.	1,161.	1,212.
	60"	1 1/4"	29"	<b>YPSCT2960F</b>	1,015.	1,066.	1,117.	1,167.	1,218.
	66"	1 1/4"	29"	<b>YPSCT2966FRR</b>	1,198.	1,258.	1,318.	1,378.	1,438.
	72"	1 1/4"	29"	<b>YPSCT2972FRR</b>	1,225.	1,286.	1,348.	1,409.	1,470.
	78"	1 1/4"	29"	<b>YPSCT2978FRR</b>	1,339.	1,406.	1,473.	1,540.	1,607.
	84"	1 1/4"	29"	<b>YPSCT2984FRR</b>	1,375.	1,444.	1,513.	1,581.	1,650.



#### Ordering Information

##### Center Screens

1. Pattern Number
2. Inside Fabric Finish
3. Outside Fabric Finish
4. Frame Paint Finish

#### Order Code

##### Center Screens

*Example:* **YPSCT2248F, W351, W351, 118T**

<b>YPSCT</b>	Telescope Center Screen
<b>22</b>	Height
<b>48</b>	Width
<b>F</b>	Fabric
<b>W351</b>	Foundation
<b>W351</b>	Foundation
<b>118T</b>	Bright White Paint
<b>118T</b>	Bright White Paint

#### Included With

##### Desk Screens

Brackets  
Hardware

#### Options

##### Center Screens

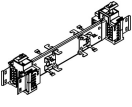
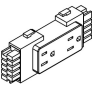
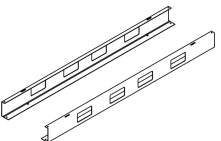
The price of screens specified with a combination of fabrics is the higher of the two fabric grades.

(RR) Fabric is applied railroaded

# Telescope Power and Cable Management

## *Electrical Components for Telescope Dual Tables*

### *2 + 2 and 3 + 3 Electrical Systems*

description	type	w	d	h	pattern no.	list
	2+2, (2) Duplex Outlets per Side	12"	2"	2"	<b>YRPHE12</b>	\$179.
	2+2, (4) Duplex Outlets per Side	24"	2"	2"	<b>YRPHE24</b>	325.
	3+3, (2) Duplex Outlets per Side	12"	2"	2"	<b>YRPHT12</b>	204.
	3+3, (4) Duplex Outlets per Side	24"	2"	2"	<b>YRPHT24</b>	391.
Communications Mounting Box	Below Desk or Big Table				<b>YR1CMB</b>	40.
	Circuit A, black	1 1/2"	1"	4 1/2"	<b>YR1DA</b>	41.
	Circuit B, black	1 1/2"	1"	4 1/2"	<b>YR1DB</b>	41.
	Circuit C, black	1 1/2"	1"	4 1/2"	<b>YR1DC</b>	41.
	Circuit X, black	1 1/2"	1"	4 1/2"	<b>YR1DX</b>	41.
	Circuit X, black with orange triangle	1 1/2"	1"	4 1/2"	<b>YR1DXT</b>	41.
	Circuit X, orange	1 1/2"	1"	4 1/2"	<b>YR1DXO</b>	41.
	Circuit Y, black	1 1/2"	1"	4 1/2"	<b>YR1DY</b>	41.
	Circuit Y, black with orange triangle	1 1/2"	1"	4 1/2"	<b>YR1DYT</b>	41.
	Circuit Y, orange	1 1/2"	1"	4 1/2"	<b>YR1DYO</b>	41.
	Circuit Z, black	1 1/2"	1"	4 1/2"	<b>YR1DZ</b>	41.
	Circuit Z, black with orange triangle	1 1/2"	1"	4 1/2"	<b>YR1DZT</b>	41.
	Circuit Z, orange	1 1/2"	1"	4 1/2"	<b>YR1DZO</b>	41.
	Outlet Fillers	Package of 10	1 1/4"	1/4"	2 1/2"	<b>YROF</b>
	For 12" wide power harness, outlets both sides	18"	3"	3"	<b>YR1C18D</b>	97.
	For 12" wide power harness, outlets one side	18"	3"	3"	<b>YR1C18S</b>	97.
	For 24" wide power harness, outlets both sides	30"	3"	3"	<b>YR1C30D</b>	115.
	For 24" wide power harness, outlets one side	30"	3"	3"	<b>YR1C30S</b>	115.

#### Ordering Information

##### Electrical Components

1. Pattern Number

##### Mounting Brackets

1. Pattern Number
2. Paint Finish

##### Raceway Covers/End Caps

1. Pattern Number
2. Paint Finish

##### Communication Mounting Box

1. Pattern Number
2. Paint Finish

#### Order Code

##### Electrical Components

*Example:* **YRPHT12**

**YRPHT** Power Harness

**12** Width

##### Raceway Covers

*Example:* **YRC18D, 118T**

**YRC** Raceway Covers

**18** Width

**D** Outlets Both Sides

**118T** Bright White Paint

#### Included With

**Power Harness**  
Center Beam Attachment

**Mounting Brackets**  
Attachment Hardware

**Communication Mounting Box**  
Attachment Hardware

#### Electrical Components

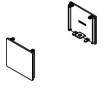


# Telescope Power and Cable Management

## *Electrical Components for Telescope Dual Tables*

### *2 + 2 and 3 + 3 Electrical Systems*

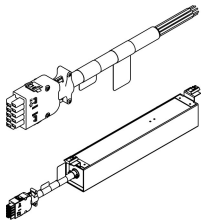
description	type	w	d	h	pattern no.	list
Raceway End Cap	Package of 2	3/8"	3"	3"	<b>YRCE</b>	\$17.



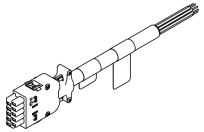
Covers for Exposed End of Power Harness	Package of 10	1"	1"	2"	<b>YR1CP</b>	183.
---	---------------	----	----	----	--------------	------



Infeeds	2+2 Hardwire Infeed for New York City	85"	2 1/8"	2 3/8"	<b>YR1EPNY</b>	436.
	2+2 Modular Base Infeed	85"	2 1/8"	2 3/8"	<b>YR1EDPI</b>	198.
	3+3 Hardwire Infeed for New York City	85"	2 1/8"	2 3/8"	<b>YR1TPNY</b>	459.
	3+3 Modular Base Infeed	85"	2 1/8"	2 3/8"	<b>YR1TDPI</b>	229.



Ceiling infeed passing through Interpole to Antenna desk, Big Table or Fence	2+2				<b>YR1EPIC12</b>	433.
	2+2				<b>YR1EPIC20</b>	787.
	3+3				<b>YR1TPIC12</b>	468.
	3+3				<b>YR1TPIC20</b>	825.

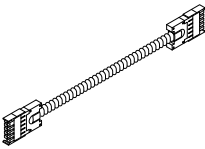
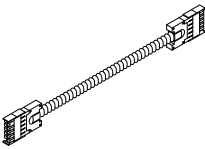


Ordering Information	Order Code	Included With
<b>Electrical Components</b>	<b>Electrical Components</b>	<b>Power Harness</b>
1. Pattern Number	<i>Example:</i> <b>YRPHT12</b>	Center Beam Attachment
<b>Mounting Brackets</b>	<b>YRPHT</b> Power Harness	<b>Mounting Brackets</b>
1. Pattern Number	<b>12</b> Width	Attachment Hardware
2. Paint Finish	<b>Raceway Covers</b>	<b>Communication Mounting Box</b>
<b>Raceway Covers/End Caps</b>	<i>Example:</i> <b>YRC18D, 118T</b>	Attachment Hardware
1. Pattern Number	<b>YRC</b> Raceway Covers	
2. Paint Finish	<b>18</b> Width	
<b>Communication Mounting Box</b>	<b>D</b> Outlets Both Sides	
1. Pattern Number	<b>118T</b> Bright White Paint	
2. Paint Finish		

# Telescope Power and Cable Management

## *Electrical Components for Telescope Dual Tables*

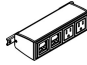
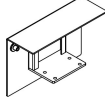
### *2 + 2 and 3 + 3 Electrical Systems*

description	type	w	d	h	pattern no.	list	
 <p>Jumper Cable, 2+2</p>	For 12" between power harnesses	12"	1"	1"	<b>YR1EJ12</b>	\$104.	
	For 18" between power harnesses	18"	1"	1"	<b>YR1EJ18</b>	113.	
	For 24" between power harnesses	24"	1"	1"	<b>YR1EJ24</b>	119.	
	For 30" between power harnesses	30"	1"	1"	<b>YR1EJ30</b>	127.	
	For 36" between power harnesses	36"	1"	1"	<b>YR1EJ36</b>	134.	
	For 42" between power harnesses	42"	1"	1"	<b>YR1EJ42</b>	149.	
	For 48" between power harnesses	48"	1"	1"	<b>YR1EJ48</b>	155.	
	For 54" between power harnesses	54"	1"	1"	<b>YR1EJ54</b>	161.	
	For 60" between power harnesses	60"	1"	1"	<b>YR1EJ60</b>	171.	
	For 66" between power harnesses	66"	1"	1"	<b>YR1EJ66</b>	179.	
	For 72" between power harnesses	72"	1"	1"	<b>YR1EJ72</b>	187.	
 <p>Jumper Cable, 3+3</p>	For adjacent power harnesses	07"	1"	1"	<b>YR1TJ7</b>	178.	
	For 12" between power harnesses	12"	1"	1"	<b>YR1TJ12</b>	134.	
	For 18" between power harnesses	18"	1"	1"	<b>YR1TJ18</b>	147.	
	For 24" between power harnesses	24"	1"	1"	<b>YR1TJ24</b>	155.	
	For 30" between power harnesses	30"	1"	1"	<b>YR1TJ30</b>	164.	
	For 36" between power harnesses	36"	1"	1"	<b>YR1TJ36</b>	175.	
	For 42" between power harnesses	42"	1"	1"	<b>YR1TJ42</b>	193.	
	For 48" between power harnesses	48"	1"	1"	<b>YR1TJ48</b>	202.	
	For 54" between power harnesses	54"	1"	1"	<b>YR1TJ54</b>	209.	
	For 60" between power harnesses	60"	1"	1"	<b>YR1TJ60</b>	222.	
	For 66" between power harnesses	66"	1"	1"	<b>YR1TJ66</b>	233.	
		For 72" between power harnesses	72"	1"	1"	<b>YR1TJ72</b>	243.

Ordering Information	Order Code	Included With	Options
<b>Electrical Components</b>	<b>Electrical Components</b>	<b>Power Harness</b>	<b>Electrical Components</b>
1. Pattern Number	<i>Example:</i> <b>YRPHT12</b>	Center Beam Attachment	
<b>Mounting Brackets</b>	<b>YRPHT</b> Power Harness	<b>Mounting Brackets</b>	
1. Pattern Number	<b>12</b> Width	Attachment Hardware	
2. Paint Finish	<b>Raceway Covers</b>	<b>Communication Mounting Box</b>	
<b>Raceway Covers/End Caps</b>	<i>Example:</i> <b>YRC18D, 118T</b>	Attachment Hardware	
1. Pattern Number	<b>YRC</b> Raceway Covers		
2. Paint Finish	<b>18</b> Width		
<b>Communication Mounting Box</b>	<b>D</b> Outlets Both Sides		
1. Pattern Number	<b>118T</b> Bright White Paint		
2. Paint Finish			

## Desktop Outlet Center

### Four or Six Positions



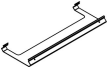

description	type	w	d	h	pattern no.	list
 Desktop Outlet Center	4 Positions (1, 2-port USB and 3 Power), 10' Cordset	6 1/2"	2 1/2"	2"	<b>YR1DOC4U3C10N</b>	\$657.
	4 Positions (1, 2-port USB and 3 Power), 6' Cordset	6 1/2"	2 1/2"	2"	<b>YR1DOC4U3C6N</b>	625.
	4 Positions (1, 2-port USB and 3 Power), 6' Hardwire	6 1/2"	2 1/2"	2"	<b>YR1DOC4U3H6N</b>	675.
	4 Positions (2 Data and 2 Power), 10' Cordset	6 1/2"	2 1/2"	2"	<b>YR1DOC422C10N</b>	483.
	4 Positions (2 Data and 2 Power), 6' Cordset	6 1/2"	2 1/2"	2"	<b>YR1DOC422C6N</b>	448.
	4 Positions (2 Data and 2 Power), 6' Hardwire	6 1/2"	2 1/2"	2"	<b>YR1DOC422H6N</b>	493.
	6 Positions (3 Data and 3 Power), 10' Cordset	9 1/2"	2 1/2"	2"	<b>YR1DOC633C10N</b>	603.
	6 Positions (3 Data and 3 Power), 6' Cordset	9 1/2"	2 1/2"	2"	<b>YR1DOC633C6N</b>	569.
	6 Positions (3 Data and 3 Power), 6' Hardwire	9 1/2"	2 1/2"	2"	<b>YR1DOC633H6N</b>	614.
	6 Positions (4 Data and 2 Power), 10' Cordset	9 1/2"	2 1/2"	2"	<b>YR1DOC642C10N</b>	579.
	6 Positions (4 Data and 2 Power), 6' Cordset	9 1/2"	2 1/2"	2"	<b>YR1DOC642C6N</b>	544.
	6 Positions (4 Data and 2 Power), 6' Hardwire	9 1/2"	2 1/2"	2"	<b>YR1DOC642H6N</b>	590.
	 Desk Mount Outlet Center Shroud	For 4 Position Desktop Outlet Center	8"	3"	6"	<b>YR1DM4</b>
For 6 Position Desktop Outlet Center		11"	3"	6"	<b>YR1DM6</b>	230.

Antenna Telescope

Ordering Information	Order Code	Included With	Options
<b>Desktop Outlet Center</b> 1. Pattern Number	<b>Desktop Outlet Center</b> <i>Example:</i> <b>YR1DOC422C10N</b> <b>YR1DOC</b> Desktop Outlet Center <b>4</b> Positions <b>2</b> Data <b>2</b> Power <b>C10</b> 10' Cordset <b>N</b> No finish	<b>Desktop Outlet Center</b> <b>Desk Mount Shroud</b> Attachment Hardware	<b>Desktop Outlet Center</b> <b>Desk Mount Shroud</b>
<b>Desk Mount Shroud</b> 1. Pattern Number 2. Paint Finish	<b>Desk Mount Shroud</b> <i>Example:</i> <b>YR1DM4, 118T</b> <b>YR1DM</b> Desk Shroud <b>4</b> Positions <b>118T</b> Bright White Paint		

# Telescope Power and Cable Management

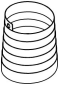

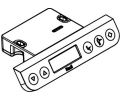
## *Power Strip, Cleat Plate and Cleat Plate Cover*

description	type	w	d	h	pattern no.	list
Power Strip 	For Telescope Dual Table	24"	1 1/2"	1 1/2"	<b>YR1TPS24</b>	\$375.
Cleat Plate 	For Telescope Dual Table	25"	3 3/4"	2 1/4"	<b>YR1TCP</b>	117.
Cleat Plate Cover 	For 48"W Telescope Dual Table	27 1/2"	10 1/2"	2 1/8"	<b>YR1TCPC28</b>	115.
	For 54" - 84"W Telescope Dual Tables	30"	10 1/2"	2 1/8"	<b>YR1TCPC30</b>	115.
Z-Manager 	For Telescope Extended Electric Height Range				<b>YR1TZEX</b>	150.
	For Telescope Standard Electric Height Range				<b>YR1TZES</b>	145.

Ordering Information	Order Code	Included With	Options
<b>Telescope Power Strip</b> 1. Pattern Number 2. Bracket Paint Finish	<b>Telescope Power Strip</b> <i>Example:</i> <b>YR1TPS24, 118T</b> <b>YR1TPS</b> Telescope Power Strip <b>24</b> Width <b>118T</b> Bright White Textured Paint	<b>Telescope Power Strip</b> Brackets Attachment Hardware	<b>Telescope Power Strip</b>
<b>Cleat Plate</b> 1. Pattern Number		<b>Cleat Plate</b> Wood Screws	
<b>Cleat Plate Cover</b> 1. Pattern Number 2. Paint Finish			

# Telescope Accessories

## Telescope Accessories

description	type	w	d	h	pattern no.	list
Helical Glide Shroud 	For Telescope Dual Table	2 1/8"	2 1/8"	2 3/4"	<b>YBTHS</b>	\$50.
Figure-8 Column Connector (pair) 	For Telescope Dual Table	10 3/5"	2 3/4"	1/8"	<b>YBTF8</b>	113.
Digital Control Switch 	For Telescope Dual Table				<b>YB2DPD</b>	309.

Ordering Information	Order Code	Included With	Options
<b>Helical Glide Shroud</b>	<b>Helical Glide Shroud</b>		
1. Pattern Number	<i>Example:</i> <b>YBTHS</b>		
<b>Figure-8 Column Connector</b>	<b>YBT</b>	Antenna Telescope	
1. Top Finish Type	<b>HS</b>	Helical Glide Shroud	
2. Paint Finish			

# Alpha-Numeric Index

<i>pattern no.</i>	<i>page</i>	<i>pattern no.</i>	<i>page</i>	<i>pattern no.</i>	<i>page</i>	<i>pattern no.</i>	<i>page</i>
ACT-CUP-IP	303	IPSC2436(N/T)LF	309	IPSC4842(N/T)LL	312	IPSOB5415	320
ARIEPIC	300	IPSC2436(N/T)LL	308	IPSC4848(N/T)GG	312	IPSOB6015	320
AR1TPIC	300	IPSC2442(N/T)GG	308	IPSC4848(N/T)GT	312	IPSOB6615	320
DE18CI144	300	IPSC2442(N/T)GT	308	IPSC4848(N/T)LF	313	IPSOB7215	320
DE1ECI144	300	IPSC2442(N/T)LF	309	IPSC4848(N/T)LL	312	IPSOE3615	320
DE1TCI144	300	IPSC2442(N/T)LL	308	IPSC4854(N/T)GG	312	IPSOE4215	320
IPACPU	303	IPSC2448(N/T)GG	308	IPSC4854(N/T)GT	312	IPSOE4815	320
IPAVESA	303	IPSC2448(N/T)GT	308	IPSC4854(N/T)LF	313	IPSOE5415	320
IPBH	303	IPSC2448(N/T)LF	309	IPSC4854(N/T)LL	312	IPSOE6015	320
IPCC10	302	IPSC2448(N/T)LL	308	IPSC4860(N/T)GG	312	IPSOE6615	320
IPCH	303	IPSC2454(N/T)GG	308	IPSC4860(N/T)GT	312	IPSOE7215	320
IPCS1212	303	IPSC2454(N/T)GT	308	IPSC4860(N/T)LF	313	IPSOE83615	320
IPCT	302	IPSC2454(N/T)LF	309	IPSC4860(N/T)LL	312	IPSOE94215	320
IPEL	298	IPSC2454(N/T)LL	308	IPSC4866(N/T)GG	312	IPSOE94815	320
IPESCNN47	295	IPSC2460(N/T)GG	308	IPSC4866(N/T)GT	312	IPSOE95415	320
IPEX	302	IPSC2460(N/T)GT	308	IPSC4866(N/T)LF	313	IPSOE96015	320
IPOC12	302	IPSC2460(N/T)LF	309	IPSC4866(N/T)LL	312	IPSOE96615	320
IPOC6	302	IPSC2460(N/T)LL	308	IPSC4872(N/T)GG	312	IPSOE97215	320
IPPL30R	303	IPSC2466(N/T)GG	308	IPSC4872(N/T)GT	312	IPSOE93615	322
IPRC18	298	IPSC2466(N/T)GT	308	IPSC4872(N/T)LF	313	IPSOE94215	322
IPRC30	298	IPSC2466(N/T)LF	309	IPSC4872(N/T)LL	312	IPSOE94815	322
IPRC42	298	IPSC2466(N/T)LL	308	IPSC6436(N/T)GG	314	IPSOE95415	322
IPRC6	298	IPSC2472(N/T)GG	308	IPSC6436(N/T)GT	314	IPSOE96015	322
IPRCF120	298	IPSC2472(N/T)GT	308	IPSC6436(N/T)LF	315	IPSOE96615	322
IPRCF180	298	IPSC2472(N/T)LF	309	IPSC6436(N/T)LL	314	IPSOE97215	322
IPRCF72	298	IPSC2472(N/T)LL	308	IPSC6442(N/T)GG	314	IPSOE9K36	322
IPRCF96	298	IPSC3236(N/T)GG	310	IPSC6442(N/T)GT	314	IPSOE9K42	322
IPRD1	298	IPSC3236(N/T)GT	310	IPSC6442(N/T)LF	315	IPSOE9K48	322
IPRD2	298	IPSC3236(N/T)LF	311	IPSC6442(N/T)LL	314	IPSOE9K54	322
I PROF	298	IPSC3236(N/T)LL	310	IPSC6448(N/T)GG	314	IPSOE9K60	322
IPRUSB	298	IPSC3242(N/T)GG	310	IPSC6448(N/T)GT	314	IPSOE9K66	322
IPSC1536(N/T)GG	306	IPSC3242(N/T)GT	310	IPSC6448(N/T)LF	315	IPSOE9K72	322
IPSC1536(N/T)GT	306	IPSC3242(N/T)LF	311	IPSC6448(N/T)LL	314	IPSOE9L3615	321
IPSC1536(N/T)LF	307	IPSC3242(N/T)LL	310	IPSC6454(N/T)GG	314	IPSOE9L4215	321
IPSC1536(N/T)LL	306	IPSC3248(N/T)GG	310	IPSC6454(N/T)GT	314	IPSOE9L4815	321
IPSC1542(N/T)GG	306	IPSC3248(N/T)GT	310	IPSC6454(N/T)LF	315	IPSOE9L5415	321
IPSC1542(N/T)GT	306	IPSC3248(N/T)LF	311	IPSC6454(N/T)LL	314	IPSOE9L6015	321
IPSC1542(N/T)LF	307	IPSC3248(N/T)LL	310	IPSC6460(N/T)GG	314	IPSOE9L6615	321
IPSC1542(N/T)LL	306	IPSC3254(N/T)GG	310	IPSC6460(N/T)GT	314	IPSOE9L7215	321
IPSC1548(N/T)GG	306	IPSC3254(N/T)GT	310	IPSC6460(N/T)LF	315	IPSOE9R3615	321
IPSC1548(N/T)GT	306	IPSC3254(N/T)LF	311	IPSC6460(N/T)LL	314	IPSOE9R4215	321
IPSC1548(N/T)LF	307	IPSC3254(N/T)LL	310	IPSCHH144	296	IPSOE9R4815	321
IPSC1548(N/T)LL	306	IPSC3260(N/T)GG	310	IPSCLL144	296	IPSOE9R5415	321
IPSC1554(N/T)GG	306	IPSC3260(N/T)GT	310	IPSCMM144	296	IPSOE9R6015	321
IPSC1554(N/T)GT	306	IPSC3260(N/T)LF	311	IPSCNG144	295	IPSOE9R6615	321
IPSC1554(N/T)LF	307	IPSC3260(N/T)LL	310	IPSCNH144	296	IPSOE9R7215	321
IPSC1554(N/T)LL	306	IPSC3266(N/T)GG	310	IPSCNL144	296	IPSOE9S36	323
IPSC1560(N/T)GG	306	IPSC3266(N/T)GT	310	IPSCNM144	296	IPSOE9S36L42	323
IPSC1560(N/T)GT	306	IPSC3266(N/T)LF	311	IPSCNN144	295	IPSOE9S36L48	323
IPSC1560(N/T)LF	307	IPSC3266(N/T)LL	310	IPSI1536F	326	IPSOE9S36L54	323
IPSC1560(N/T)LL	306	IPSC3272(N/T)GG	310	IPSI1542F	326	IPSOE9S36L60	323
IPSC1566(N/T)GG	306	IPSC3272(N/T)GT	310	IPSI1548F	326	IPSOE9S36L66	323
IPSC1566(N/T)GT	306	IPSC3272(N/T)LF	311	IPSI1554F	326	IPSOE9S36L72	323
IPSC1566(N/T)LF	307	IPSC3272(N/T)LL	310	IPSI1560F	326	IPSOE9S36K36	324
IPSC1566(N/T)LL	306	IPSC4836(N/T)GG	312	IPSI1566F	326	IPSOE9S36K42	324
IPSC1572(N/T)GG	306	IPSC4836(N/T)GT	312	IPSI1572F	326	IPSOE9S36K48	324
IPSC1572(N/T)GT	306	IPSC4836(N/T)LF	313	IPSI6415F	333	IPSOE9S36K54	324
IPSC1572(N/T)LF	307	IPSC4836(N/T)LL	312	IPSN144	295	IPSOE9S36K60	324
IPSC1572(N/T)LL	306	IPSC4842(N/T)GG	312	IPSOB3615	320	IPSOE9S36K66	324
IPSC2436(N/T)GG	308	IPSC4842(N/T)GT	312	IPSOB4215	320	IPSOE9S36K72	324
IPSC2436(N/T)GT	308	IPSC4842(N/T)LF	313	IPSOB4815	320	IPSOE9S36L3615	323

<i>pattern no.</i>	<i>page</i>	<i>pattern no.</i>	<i>page</i>	<i>pattern no.</i>	<i>page</i>	<i>pattern no.</i>	<i>page</i>
IPSSDL4215	323	YBRB75	84	YBRS93	79	YBTEXBNE48	357
IPSSDL4815	323	YBRB81	84	YBRT105	79	YBTEXBNE54	357
IPSSDL5415	323	YBRB87	84	YBRT111	79	YBTEXBNE60	357
IPSSDL6015	323	YBRB93	84	YBRT33	79	YBTEXBNE66	357
IPSSDL6615	323	YBRBTE48	81	YBRT39	79	YBTEXBNE72	357
IPSSDL7215	323	YBRBTE54	81	YBRT45	79	YBTEXBNE78	357
IPSSDR3615	324	YBRBTE60	81	YBRT51	79	YBTEXBNE84	357
IPSSDR4215	324	YBRBTE66	81	YBRT57	79	YBTEXBNI48	357
IPSSDR4815	324	YBRBTE72	81	YBRT63	79	YBTEXBNI54	357
IPSSDR5415	324	YBRBTE78	81	YBRT69	79	YBTEXBNI60	357
IPSSDR6015	324	YBRBTE84	81	YBRT75	79	YBTEXBNI66	357
IPSSDR6615	324	YBRBTE90	81	YBRT81	79	YBTEXBNI72	357
IPSSDR7215	324	YBRBTE96	81	YBRT87	79	YBTEXBNI78	357
IPVDL1564L	330	YBRBTS45	81	YBRT93	79	YBTEXBNI84	357
IPVDL1564R	330	YBRBTS51	81	YBRT99	79	YBTEXBNS48	357
IPVDR1564L	330	YBRBTS57	81	YBTE	86, 242	YBTEXBNS54	357
IPVDR1564R	330	YBRBTS63	81	YBTESBNE48	354	YBTEXBNS60	357
IPVOS1564L	329	YBRBTS69	81	YBTESBNE54	354	YBTEXBNS66	357
IPVOS1564R	329	YBRBTS75	81	YBTESBNE60	354	YBTEXBNS72	357
IPSVWL1564L	331	YBRBTS81	81	YBTESBNE66	354	YBTEXBNS78	357
IPSVWL1564R	331	YBRBTS87	81	YBTESBNE72	354	YBTEXBNS84	357
IPSVWR1564L	331	YBRBTS93	81	YBTESBNE78	354	YBTEXBTE48	356
IPSVWR1564R	331	YBRE	91	YBTESBNE84	354	YBTEXBTE54	356
RR3EPVR	300	YBRE36	79	YBTESBNI48	354	YBTEXBTE60	356
RR3TPVR	300	YBRE42	79	YBTESBNI54	354	YBTEXBTE66	356
SISDDPS	129	YBRE48	79	YBTESBNI60	354	YBTEXBTE72	356
SISLC4	129	YBRE54	79	YBTESBNI66	354	YBTEXBTE78	356
YACPU	96	YBRE60	79	YBTESBNI72	354	YBTEXBTE84	356
YAK	96	YBRE66	79	YBTESBNI78	354	YBTEXBTI48	356
YAPTC	220, 225, 230	YBRE72	79	YBTESBNI84	354	YBTEXBTI54	356
YAPT	220, 225, 230	YBRE78	79	YBTESBNS48	354	YBTEXBTI60	356
YB2DPD	375	YBRE84	80	YBTESBNS54	354	YBTEXBTI66	356
YBAFE25	90	YBRE90	80	YBTESBNS60	354	YBTEXBTI72	356
YBAFE28	90	YBRE96	80	YBTESBNS66	354	YBTEXBTI78	356
YBATBT22	90	YBRR33	83	YBTESBNS72	354	YBTEXBTI84	356
YBATBT25	90	YBRR36	83	YBTESBNS78	354	YBTEXBTS48	356
YBATE22	90	YBRR39	83	YBTESBNS84	354	YBTEXBTS54	356
YBATE25	90, 219	YBRR42	83	YBTESBTE48	353	YBTEXBTS60	356
YBATE28	90	YBRR45	83	YBTESBTE54	353	YBTEXBTS66	356
YBAW25	90, 223	YBRR48	83	YBTESBTE60	353	YBTEXBTS72	356
YBCDE	86, 239	YBRR51	83	YBTESBTE66	353	YBTEXBTS78	356
YBCRR	91	YBRR54	83	YBTESBTE72	353	YBTEXBTS84	356
YBCWS	91	YBRR57	83	YBTESBTE78	353	YBTESNNS48	358
YBF	91	YBRR60	83	YBTESBTE84	353	YBTESNNS54	358
YBIG	151	YBRR63	83	YBTESBTI48	353	YBTESNNS60	358
YBPSSB2748	136	YBRR66	83	YBTESBTI54	353	YBTESNNS66	358
YBPSSB2754	136	YBRR69	83	YBTESBTI60	353	YBTESNNS72	358
YBPSSB2760	136	YBRR72	83	YBTESBTI66	353	YBTESNNS78	358
YBPSSB2766	136	YBRR75	83	YBTESBTI72	353	YBTESNNS84	358
YBPSSB2772	136	YBRR78	83	YBTESBTI78	353	YBTF8	375
YBPSSB2778	136	YBRR81	83	YBTESBTI84	353	YBTHS	375
YBPSSB2784	136	YBRR84	83	YBTESBTS48	353	YBTRES102	360
YBPSSF2748	135	YBRR87	83	YBTESBTS54	353	YBTRES54	360
YBPSSF2754	135	YBRR90	83	YBTESBTS60	353	YBTRES57	360
YBPSSF2760	135	YBRR93	83	YBTESBTS66	353	YBTRES60	360
YBPSSF2766	135	YBRS33	79	YBTESBTS72	353	YBTRES63	360
YBPSSF2772	135	YBRS39	79	YBTESBTS78	353	YBTRES66	360
YBPSSF2778	135	YBRS45	79	YBTESBTS84	353	YBTRES69	360
YBPSSF2784	135	YBRS51	79	YBTESNNS48	355	YBTRES72	360
YBRB39	84	YBRS57	79	YBTESNNS54	355	YBTRES75	360
YBRB45	84	YBRS63	79	YBTESNNS60	355	YBTRES78	360
YBRB51	84	YBRS69	79	YBTESNNS66	355	YBTRES81	360
YBRB57	84	YBRS75	79	YBTESNNS72	355	YBTRES84	360
YBRB63	84	YBRS81	79	YBTESNNS78	355	YBTRES87	360
YBRB69	84	YBRS87	79	YBTESNNS84	355	YBTRES90	360

<i>pattern no.</i>	<i>page</i>	<i>pattern no.</i>	<i>page</i>	<i>pattern no.</i>	<i>page</i>	<i>pattern no.</i>	<i>page</i>
YBTRES93	360	YELA27	102	YELSD18	105	YEP2729	140
YBTRES96	360	YELA30	102	YELSD24	105	YEP2730	140
YBTRES99	360	YELA36	102	YELSD27	105	YEP2735	140
YBTREX102	361	YELA42	102	YELSD30	105	YEP2736	140
YBTREX54	361	YELCD18	102	YELSD36	105	YEP2841	144
YBTREX57	361	YELCD24	102	YELSD42	105	YEP2853	144
YBTREX60	361	YELCD27	102	YELSD48	105	YEP2859	144
YBTREX63	361	YELCD30	102	YELSSAF28L	126	YEP2865	144
YBTREX66	361	YELCD36	102	YELSSAF28R	126	YEP2877	144
YBTREX69	361	YELCM18	102	YELSSAF34L	126	YEP2SSB2825L	145
YBTREX72	361	YELCM24	102	YELSSAF34R	126	YEP2SSB2825R	145
YBTREX75	361	YELCM27	102	YELSSAF40L	126	YEP2SSB2831L	145
YBTREX78	361	YELCM30	102	YELSSAF40R	126	YEP2SSB2831R	145
YBTREX81	361	YELCM36	102	YELSSDF28L	125	YEP2SSB2834L	145
YBTREX84	361	YELD18	102	YELSSDF28R	125	YEP2SSB2834R	145
YBTREX87	361	YELD24	102	YELSSDF34L	125	YEP2SSB2837L	145
YBTREX90	361	YELD27	102	YELSSDF34R	125	YEP2SSB2837R	145
YBTREX93	361	YELD30	102	YELSSDF40L	125	YEP2SSB2843	145
YBTREX96	361	YELD36	102	YELSSDF40R	125	YEP4253	148
YBTREX99	361	YELD42	102	YEP1617	139	YEP4259	148
YCB36	93	YELDA18	107	YEP1618	139	YEP4265	148
YCB42	93	YELDA24	107	YEP1623	139	YEP4277	148
YCB48	93	YELDA27	107	YEP1624	139	YEP4953	148
YCB54	93	YELDA30	107	YEP1626	139	YEP4959	148
YCB60	93	YELDA36	107	YEP1627	139	YEP4965	148
YCB66	93	YELDA38	112	YEP1629	139	YEP4977	148
YCB72	93	YELDA50	112	YEP1630	139	YEP5653	148
YCB78	93	YELDA62	112	YEP1635	139	YEP5659	148
YCB84	93	YELDD18	107	YEP1636	139	YEP5665	148
YCB90	93	YELDD24	107	YEP1717	139	YEPH3641	146
YCB96	93	YELDD27	107	YEP1718	139	YEPH3653	146
YCBCC48	93	YELDD30	107	YEP1723	139	YEPH3659	146
YCBCC54	93	YELDD36	107	YEP1724	139	YEPH3665	146
YCBCC60	93	YELDD38	110	YEP1726	139	YEPSSF2831L	145
YCBCC66	93	YELDD50	110	YEP1727	139	YEPSSF2831R	145
YCBCC72	93	YELDD62	110	YEP1729	139	YEPSSF2837L	145
YCBCC78	93	YELDH38	115	YEP1730	139	YEPSSF2837R	145
YCBCC84	93	YELDH50	115	YEP1735	139	YEPSSF2840L	145
YCBE	93	YELDH50B	116	YEP1736	139	YEPSSF2840R	145
YCBPE	93	YELDHB	116	YEP1740	142	YEPSSF2843L	145
YCBT36	93	YELDT50	119	YEP1752	142	YEPSSF2843R	145
YCBT42	93	YELDT50B	120	YEP1758	142	YEPSSF2849L	145
YCBT48	93	YELDTB	120	YEP1764	142	YEPSSF2849R	145
YCBT54	93	YELH24	102	YEP1776	142	YEPT4253	146
YCBT60	93	YELH27	102	YEP2617	140	YEPT4259	146
YCBT66	93	YELH30	102	YEP2618	140	YEPT4265	146
YCBT72	93	YELH36	102	YEP2623	140	YFC0912C	182
YCBT78	93	YELH42	102	YEP2624	140	YFC0912L	184
YCBT84	93	YELP24	103	YEP2626	140	YFC0912P	183
YCBT90	93	YELP27	103	YEP2627	140	YFC0912S	182
YCBT96	93	YELP30	103	YEP2629	140	YFC0912V	185
YEL2SSAB22L	124	YELP36	103	YEP2630	140	YFC0924C	182
YEL2SSAB22R	124	YELSA18	105	YEP2635	140	YFC0924L	184
YEL2SSAB28L	124	YELSA24	105	YEP2636	140	YFC0924P	183
YEL2SSAB28R	124	YELSA27	105	YEP2640	142	YFC0924S	182
YEL2SSAB34L	124	YELSA30	105	YEP2652	142	YFC0924V	185
YEL2SSAB34R	124	YELSA36	105	YEP2658	142	YFC0936C	182
YEL2SSDB22L	123	YELSA42	105	YEP2664	142	YFC0936L	184
YEL2SSDB22R	123	YELSA48	105	YEP2676	142	YFC0936P	183
YEL2SSDB28L	123	YELSCD24	105	YEP2717	140	YFC0936S	182
YEL2SSDB28R	123	YELSCD27	105	YEP2718	140	YFC0936V	185
YEL2SSDB34L	123	YELSCD30	105	YEP2723	140	YFC0948C	182
YEL2SSDB34R	123	YELSCD36	105	YEP2724	140	YFC0948L	184
YELA18	102	YELSCD42	105	YEP2726	140	YFC0948P	183
YELA24	102	YELSCD48	105	YEP2727	140	YFC0948S	182



<i>pattern no.</i>	<i>page</i>	<i>pattern no.</i>	<i>page</i>	<i>pattern no.</i>	<i>page</i>	<i>pattern no.</i>	<i>page</i>
YFC0948V	185	YFC2672NL	192	YILSSDF32	125	YKTS4227SDCN	338
YFC0960C	182	YFC2672NP	191	YILSSDF34	125	YKTS4227SDHN	338
YFC0960L	184	YFCC48	174	YILSSDF40	125	YKTS4227SDLN	338
YFC0960P	183	YFCC60	174	YKME4DA	38	YKTS4230SDCN	339
YFC0960S	182	YFCC72	174	YKME7854HE	38	YKTS4230SDHN	339
YFC0972C	182	YFCHOC	182	YKME7854NE	38	YKTS4230SDLN	339
YFC0972L	184	YFCOC	182	YKPTS3030D	33	YKTS4236SDCN	340
YFC0972P	183	YFF2148	172	YKPTS3030L	33	YKTS4236SDHN	340
YFC0972S	182	YFF2160	172	YKPTS3030M	33	YKTS4236SDLN	340
YFC1412L	188	YFF2172	172	YKPTS3636D	33	YKTS4242D	31
YFC1412P	187	YFJE25	174	YKPTS4242D	33	YKTS4242DC	32
YFC1412V	189	YFJE28	174	YKPTS4824D	33	YKTS4242SDCN	341
YFC1424L	188	YFJL25	175	YKPTS4848D	33	YKTS4242SDHN	341
YFC1424P	187	YFJL28	175	YKPTS5427D	33	YKTS4242SDLN	341
YFC1424V	189	YFJT25	175	YKPTS6030D	33	YKTS4818SDCN	336
YFC1436L	188	YFJT28	175	YKPTS7236D	33	YKTS4818SDHN	336
YFC1436P	187	YFJV25	175	YKPTS8442D	33	YKTS4818SDLN	336
YFC1436V	189	YFJV28	175	YKTR36SDCN	342	YKTS4824D	31
YFC1448L	188	YFJX25	175	YKTR36SDHN	342	YKTS4824DC	32
YFC1448P	187	YFJX28	175	YKTR36SDLN	342	YKTS4824SDCN	337
YFC1448V	189	YFJY25	175	YKTR36YDC	36	YKTS4824SDHN	337
YFC1460L	188	YFJY28	175	YKTR36YHG	36	YKTS4824SDLN	337
YFC1460P	187	YFL25	172	YKTR36YMG	36	YKTS4827SDCN	338
YFC1472L	188	YFL28	172	YKTR42D	31	YKTS4827SDHN	338
YFC1472P	187	YFLSF	172	YKTR42DC	32	YKTS4827SDLN	338
YFC1712L	188	YFTC48	174	YKTR42L	31	YKTS4830SDCN	339
YFC1712P	187	YFTC60	174	YKTR42LG	32	YKTS4830SDHN	339
YFC1712V	189	YFTC72	174	YKTR42M	31	YKTS4830SDLN	339
YFC1724L	188	YIL2SSAB20	124	YKTR42MG	32	YKTS4836SDCN	340
YFC1724P	187	YIL2SSAB22	124	YKTR42SDCN	342	YKTS4836SDHN	340
YFC1724V	189	YIL2SSAB26	124	YKTR42SDHN	342	YKTS4836SDLN	340
YFC1736L	188	YIL2SSAB28	124	YKTR42SDLN	342	YKTS4848D	31
YFC1736P	187	YIL2SSAB34	124	YKTR42YDC	36	YKTS4848DC	32
YFC1736V	189	YIL2SSDB20	123	YKTR42YMG	36	YKTS5418SDCN	336
YFC1748L	188	YIL2SSDB22	123	YKTR48D	31	YKTS5418SDHN	336
YFC1748P	187	YIL2SSDB26	123	YKTR48DC	32	YKTS5418SDLN	336
YFC1748V	189	YIL2SSDB28	123	YKTS3030D	31	YKTS5424SDCN	337
YFC1760L	188	YIL2SSDB34	123	YKTS3030DC	32	YKTS5424SDHN	337
YFC1760P	187	YILDA1	112	YKTS3030L	31	YKTS5424SDLN	337
YFC1772L	188	YILDA35	112	YKTS3030LG	32	YKTS5427D	31
YFC1772P	187	YILDA38	112	YKTS3030M	31	YKTS5427DC	32
YFC2324NL	192	YILDA48	112	YKTS3030MG	32	YKTS5427SDCN	338
YFC2324NP	191	YILDA50	112	YKTS3618SDCN	336	YKTS5427SDHN	338
YFC2324NV	193	YILDA62	112	YKTS3618SDHN	336	YKTS5427SDLN	338
YFC2336NL	192	YILDAV20	112	YKTS3618SDLN	336	YKTS5430SDCN	339
YFC2336NP	191	YILDD1	111	YKTS3624SDCN	337	YKTS5430SDHN	339
YFC2336NV	193	YILDD35	110	YKTS3624SDHN	337	YKTS5430SDLN	339
YFC2348NL	192	YILDD38	110	YKTS3624SDLN	337	YKTS5436SDCN	340
YFC2348NP	191	YILDD48	110	YKTS3627SDCN	338	YKTS5436SDHN	340
YFC2348NV	193	YILDD50	110	YKTS3627SDHN	338	YKTS5436SDLN	340
YFC2360NL	192	YILDD62	110	YKTS3627SDLN	338	YKTS6018SDCN	336
YFC2360NP	191	YILDDV20	110	YKTS3630SDCN	339	YKTS6018SDHN	336
YFC2372NL	192	YILDH35	115	YKTS3630SDHN	339	YKTS6018SDLN	336
YFC2372NP	191	YILDH38	115	YKTS3630SDLN	339	YKTS6024SDCN	337
YFC2624NL	192	YILDH50	115	YKTS3636D	31	YKTS6024SDHN	337
YFC2624NP	191	YILDH8	115	YKTS3636DC	32	YKTS6024SDLN	337
YFC2624NV	193	YILDT35	119	YKTS3636SDCN	340, 341	YKTS6027SDCN	338
YFC2636NL	192	YILDTB	119	YKTS3636SDHN	340, 341	YKTS6027SDHN	338
YFC2636NP	191	YILSSAF26	126	YKTS3636SDLN	340, 341	YKTS6027SDLN	338
YFC2636NV	193	YILSSAF28	126	YKTS4218SDCN	336	YKTS6030D	31
YFC2648NL	192	YILSSAF32	126	YKTS4218SDHN	336	YKTS6030DC	32
YFC2648NP	191	YILSSAF34	126	YKTS4218SDLN	336	YKTS6030SDCN	339
YFC2648NV	193	YILSSAF40	126	YKTS4224SDCN	337	YKTS6030SDHN	339
YFC2660NL	192	YILSSDF26	125	YKTS4224SDLN	337	YKTS6030SDLN	339
YFC2660NP	191	YILSSDF28	125	YKTS4224SDLN	337	YKTS6036SDCN	340

<i>pattern no.</i>	<i>page</i>	<i>pattern no.</i>	<i>page</i>	<i>pattern no.</i>	<i>page</i>	<i>pattern no.</i>	<i>page</i>
YKTS6036SDHN	340	YKTS8436SDLN	340	YMPT1678	345	YP6048	65
YKTS6036SDLN	340	YKTS8442D	31	YMPT1684	345	YP6618	63
YKTS6618SDCN	336	YKTS8442DG	32	YMPT1736	345	YP6624	63
YKTS6618SDHN	336	YKTS8442YDG	36	YMPT1742	345	YP6627	64
YKTS6618SDLN	336	YKTS8442YHG	36	YMPT1748	345	YP6630	64
YKTS6624SDCN	337	YKTT7236D	31	YMPT1754	345	YP6636	65
YKTS6624SDHN	337	YKTT7236DG	32	YMPT1760	345	YP6648	65
YKTS6624SDLN	337	YKTT7236SDCN	343	YMPT1766	345	YP7218	63
YKTS6627SDCN	338	YKTT7236SDHN	343	YMPT1772	345	YP7224	63
YKTS6627SDHN	338	YKTT7236SDLN	343	YMPT1778	345	YP7227	64
YKTS6627SDLN	338	YKTT7236YDG	36	YMPT1784	345	YP7230	64
YKTS6630SDCN	339	YKTT7236YHG	36	YMPT2636	346	YP7236	65
YKTS6630SDHN	339	YKTT8442D	31	YMPT2642	346	YP7248	65
YKTS6630SDLN	339	YKTT8442DG	32	YMPT2648	346	YP7818	63
YKTS6636SDCN	340	YKTT8442YDG	36	YMPT2654	346	YP7824	63
YKTS6636SDHN	340	YKTT8442YHG	36	YMPT2660	346	YP7827	64
YKTS6636SDLN	340	YKTT9648D	31	YMPT2666	346	YP7830	64
YKTS7218SDCN	336	YKTT9648DG	32	YMPT2672	346	YP7836	65
YKTS7218SDHN	336	YL4L17	288	YMPT2678	346	YP7848	65
YKTS7218SDLN	336	YL4L31	288	YMPT2684	346	YP8418	63
YKTS7224SDCN	337	YL4L44	288	YMPT2736	346	YP8424	63
YKTS7224SDHN	337	YL4L58	288	YMPT2742	346	YP8427	64
YKTS7224SDLN	337	YMP1636	131	YMPT2748	346	YP8430	64
YKTS7227SDCN	338	YMP1642	131	YMPT2754	346	YP8436	65
YKTS7227SDHN	338	YMP1648	131	YMPT2760	346	YP8442	65
YKTS7227SDLN	338	YMP1654	131	YMPT2766	346	YP8448	65
YKTS7230SDCN	339	YMP1660	131	YMPT2772	346	YP9018	63
YKTS7230SDHN	339	YMP1666	131	YMPT2778	346	YP9024	63
YKTS7230SDLN	339	YMP1672	131	YMPT2784	346	YP9027	64
YKTS7236D	31	YMP1678	131	YP3018	63	YP9030	64
YKTS7236DC	32	YMP1684	131	YP3024	63	YP9036	65
YKTS7236SDCN	340	YMP1736	131	YP3027	64	YP9048	65
YKTS7236SDHN	340	YMP1742	131	YP3030	64	YP9618	63
YKTS7236SDLN	340	YMP1748	131	YP3036	65	YP9624	63
YKTS7236YDG	36	YMP1754	131	YP3048	65	YP9627	64
YKTS7236YHG	36	YMP1760	131	YP3618	63	YP9630	64
YKTS7818SDCN	336	YMP1766	131	YP3624	63	YP9636	65
YKTS7818SDHN	336	YMP1772	131	YP3627	64	YP9648	65
YKTS7818SDLN	336	YMP1778	131	YP3630	64	YPB3018	66
YKTS7824SDCN	337	YMP1784	131	YP3636	65	YPB3024	66
YKTS7824SDHN	337	YMP2636	132	YP3648	65	YPB3027	66
YKTS7824SDLN	337	YMP2642	132	YP4218	63	YPB3030	67
YKTS7827SDCN	338	YMP2648	132	YP4224	63	YPB3036	67
YKTS7827SDHN	338	YMP2654	132	YP4227	64	YPB3618	66
YKTS7827SDLN	338	YMP2660	132	YP4230	64	YPB3624	66
YKTS7830SDCN	339	YMP2666	132	YP4236	65	YPB3627	66
YKTS7830SDHN	339	YMP2672	132	YP4242	65	YPB3630	67
YKTS7830SDLN	339	YMP2678	132	YP4248	65	YPB3636	67
YKTS7836SDCN	340	YMP2684	132	YP4818	63	YPB4218	66
YKTS7836SDHN	340	YMP2736	132	YP4824	63	YPB4224	66
YKTS7836SDLN	340	YMP2742	132	YP4827	64	YPB4227	66
YKTS8418SDCN	336	YMP2748	132	YP4830	64	YPB4230	67
YKTS8418SDHN	336	YMP2754	132	YP4836	65	YPB4236	67
YKTS8418SDLN	336	YMP2760	132	YP4848	65	YPB4818	66
YKTS8424SDCN	337	YMP2766	132	YP5418	63	YPB4824	66
YKTS8424SDHN	337	YMP2772	132	YP5424	63	YPB4827	66
YKTS8424SDLN	337	YMP2778	132	YP5427	64	YPB4830	67
YKTS8427SDCN	338	YMP2784	132	YP5430	64	YPB4836	67
YKTS8427SDHN	338	YMPT1636	345	YP5436	65	YPB5418	66
YKTS8427SDLN	338	YMPT1642	345	YP5448	65	YPB5424	66
YKTS8430SDCN	339	YMPT1648	345	YP6018	63	YPB5427	66
YKTS8430SDHN	339	YMPT1654	345	YP6024	63	YPB5430	67
YKTS8430SDLN	339	YMPT1660	345	YP6027	64	YPB5436	67
YKTS8436SDCN	340	YMPT1666	345	YP6030	64	YPB6018	66
YKTS8436SDHN	340	YMPT1672	345	YP6036	65	YPB6024	66

<i>pattern no.</i>	<i>page</i>	<i>pattern no.</i>	<i>page</i>	<i>pattern no.</i>	<i>page</i>	<i>pattern no.</i>	<i>page</i>
YPB6027	66	YPH6030	69	YPSB2647	364	YPSB3842F	196
YPB6030	67	YPH6036	69	YPSB2647F	363	YPSB3848	198
YPB6036	67	YPH6618	68	YPSB2648	198	YPSB3848F	196
YPB6618	66	YPH6624	68	YPSB2648F	196	YPSB3853	207
YPB6624	66	YPH6627	68	YPSB2653	364	YPSB3853F	206
YPB6627	66	YPH6630	69	YPSB2653F	363	YPSB3854	198
YPB6630	67	YPH6636	69	YPSB2654	198	YPSB3854F	196
YPB6636	67	YPH7218	68	YPSB2654F	196	YPSB3859	207
YPB7218	66	YPH7224	68	YPSB2659	364	YPSB3859F	206
YPB7224	66	YPH7227	68	YPSB2659F	363	YPSB3860	198
YPB7227	66	YPH7230	69	YPSB2660	198	YPSB3860F	196
YPB7230	67	YPH7236	69	YPSB2660F	196	YPSB3865	207
YPB7236	67	YPH7818	68	YPSB2665	364	YPSB3865FRR	206
YPB7818	66	YPH7824	68	YPSB2665FRR	363	YPSB3866	198
YPB7824	66	YPH7827	68	YPSB2666	198	YPSB3866FRR	196
YPB7827	66	YPH7830	69	YPSB2666FRR	196	YPSB3872	198
YPB7830	67	YPH7836	69	YPSB2671	364	YPSB3872FRR	196
YPB7836	67	YPH8418	68	YPSB2671FRR	363	YPSB3877	207
YPB8418	66	YPH8424	68	YPSB2672	198	YPSB3877FRR	206
YPB8424	66	YPH8427	68	YPSB2672FRR	196	YPSC1424	201
YPB8427	66	YPH8430	69	YPSB2677	364	YPSC1424F	200
YPB8430	67	YPH8436	69	YPSB2677FRR	363	YPSC1430	201
YPB8436	67	YPSB2024	197	YPSB2683	364	YPSC1430F	200
YPB9018	66	YPSB2024F	195	YPSB2683FRR	363	YPSC1436	201
YPB9024	66	YPSB2027F	195	YPSB3224	197	YPSC1436F	200
YPB9027	66	YPSB2030	197	YPSB3224F	195	YPSC1442	201
YPB9030	67	YPSB2030F	195	YPSB3227	197	YPSC1442F	200
YPB9036	67	YPSB2036	197	YPSB3227F	195	YPSC1448	201
YPB9618	66	YPSB2036F	195	YPSB3230	197	YPSC1448F	200
YPB9624	66	YPSB2042	197	YPSB3230F	195	YPSC1454	201
YPB9627	66	YPSB2042F	195	YPSB3236	197	YPSC1454F	200
YPB9630	67	YPSB2047	364	YPSB3236F	195	YPSC1460	201
YPB9636	67	YPSB2047F	363	YPSB3241	207	YPSC1460F	200
YPE1524	70	YPSB2048	197	YPSB3241F	206	YPSC1466	201
YPE1527	70	YPSB2048F	195	YPSB3242	197	YPSC1466FRR	200
YPE1530	70	YPSB2053	364	YPSB3242F	195	YPSC1472	201
YPE1536	70	YPSB2053F	363	YPSB3248	197	YPSC1472FRR	200
YPE1539	70	YPSB2054	197	YPSB3248F	195	YPSC2124	201
YPE1541	70	YPSB2054F	195	YPSB3253	207	YPSC2124F	200
YPE1552	70	YPSB2059	364	YPSB3253F	206	YPSC2130	201
YPE1553	70	YPSB2059F	363	YPSB3254	197	YPSC2130F	200
YPE1558	70	YPSB2060	197	YPSB3254F	195	YPSC2136	201
YPE1559	70	YPSB2060F	195	YPSB3259	207	YPSC2136F	200
YPE1564	70	YPSB2065	364	YPSB3259F	206	YPSC2142	201
YPE1565	70	YPSB2065FRR	363	YPSB3260	197	YPSC2142F	200
YPE1576	70	YPSB2066	197	YPSB3260F	195	YPSC2148	201
YPE1577	70	YPSB2066FRR	195	YPSB3265	207	YPSC2148F	200
YPE1841	70	YPSB2071	364	YPSB3265FRR	206	YPSC2154	201
YPE1853	70	YPSB2071FRR	363	YPSB3266	197	YPSC2154F	200
YPE1859	70	YPSB2072	197	YPSB3266FRR	195	YPSC2160	201
YPE1865	70	YPSB2072FRR	195	YPSB3272	197	YPSC2160F	200
YPE1877	70	YPSB2077	364	YPSB3272FRR	195	YPSC2166	201
YPH4818	68	YPSB2077FRR	363	YPSB3277	207	YPSC2166FRR	200
YPH4824	68	YPSB2083	364	YPSB3277FRR	206	YPSC2172	201
YPH4827	68	YPSB2083FRR	363	YPSB3824	198	YPSC2172FRR	200
YPH4830	69	YPSB2624	198	YPSB3824F	196	YPSC2248F	366
YPH4836	69	YPSB2624F	196	YPSB3827	198	YPSC2254F	366
YPH5418	68	YPSB2627	198	YPSB3827F	196	YPSC2260F	366
YPH5424	68	YPSB2627F	196	YPSB3830	198	YPSC2266FRR	366
YPH5427	68	YPSB2630	198	YPSB3830F	196	YPSC2272FRR	366
YPH5430	69	YPSB2630F	196	YPSB3836	198	YPSC2278FRR	366
YPH5436	69	YPSB2636	198	YPSB3836F	196	YPSC2284FRR	366
YPH6018	68	YPSB2636F	196	YPSB3841	207	YPSC22648F	366
YPH6024	68	YPSB2642	198	YPSB3841F	206	YPSC22654F	366
YPH6027	68	YPSB2642F	196	YPSB3842	198	YPSC22660F	366

<i>pattern no.</i>	<i>page</i>	<i>pattern no.</i>	<i>page</i>	<i>pattern no.</i>	<i>page</i>	<i>pattern no.</i>	<i>page</i>
YPSCT2666FRR	366	YPSI1424	204	YR1DOC4U3H6N	163, 373	YR1TVWMNY	157
YPSCT2672FRR	366	YPSI1424F	203	YR1DOC633C10N	163, 373	YR1TZES	374
YPSCT2678FRR	366	YPSI1427	204	YR1DOC633C6N	163, 373	YR1TZEX	374
YPSCT2684FRR	366	YPSI1427F	203	YR1DOC633H6N	163, 373	YR1USBA	158
YPSCT2948F	367	YPSI1428	204	YR1DOC642C10N	163, 373	YR1USBB	158
YPSCT2954F	367	YPSI1428F	203	YR1DOC642C6N	163, 373	YR1USBC	158
YPSCT2960F	367	YPSI1430	204	YR1DOC642H6N	163, 373	YR1USBX	158
YPSCT2966FRR	367	YPSI1430F	203	YR1DX	158, 370	YR1USBY	158
YPSCT2972FRR	367	YPSI1436	204	YR1DXC	158	YR1USBZ	158
YPSCT2978FRR	367	YPSI1436F	203	YR1DXO	158, 370	YR1VWM323	168
YPSCT2984FRR	367	YPSI2116	204	YR1DXT	158, 370	YR1VWM330	168
YPSDF5	151	YPSI2116F	203	YR1DY	158, 370	YR1VWM336	168
YPSF1424	210	YPSI2118	204	YR1DYC	158	YR1XDA	178
YPSF1424F	209	YPSI2118F	203	YR1DYO	158, 370	YR1XDAC	178
YPSF1436	210	YPSI2119	204	YR1DYT	158, 370	YR1XDB	178
YPSF1436F	209	YPSI2119F	203	YR1DZ	158, 370	YR1XDBC	178
YPSF1448	210	YPSI2122	204	YR1DZC	158	YR1XDC	178
YPSF1448F	209	YPSI2122F	203	YR1DZO	158, 370	YR1XDCC	178
YPSF1460	210	YPSI2124	204	YR1DZT	158, 370	YR1XDX	178
YPSF1460F	209	YPSI2124F	203	YR1EDPI	157, 178, 371	YR1XDXC	178
YPSF1472	210	YPSI2127	204	YR1EJ108	180	YR1XDYO	178
YPSF1472FRR	209	YPSI2127F	203	YR1EJ12	159, 372	YR1XDXT	178
YPSF1724	210	YPSI2128	204	YR1EJ18	159, 180, 372	YR1XDY	178
YPSF1724F	209	YPSI2128F	203	YR1EJ24	159, 180, 372	YR1XDYC	178
YPSF1736	210	YPSI2130	204	YR1EJ30	159, 372	YR1XDYO	178
YPSF1736F	209	YPSI2130F	203	YR1EJ36	159, 180, 372	YR1XDYT	178
YPSF1748	210	YPSI2136	204	YR1EJ42	159, 372	YR1XDZ	178
YPSF1748F	209	YPSI2136F	203	YR1EJ48	159, 180, 372	YR1XDZC	178
YPSF1760	210	YPSI10	151	YR1EJ54	159, 372	YR1XDZO	178
YPSF1760F	209	YPS3248	212	YR1EJ60	159, 180, 372	YR1XDZT	178
YPSF1772	210	YR1BC.C50	167, 302	YR1EJ66	159, 372	YR1XUSBA	179
YPSF1772FRR	209	YR1BCM10	168	YR1EJ72	159, 180, 372	YR1XUSBB	179
YPSF2124	210	YR1C18D	156, 370	YR1EJ84	180	YR1XUSBC	179
YPSF2124F	209	YR1C18S	156, 370	YR1EJ96	180	YR1XUSBX	179
YPSF2136	210	YR1C30D	156, 370	YR1EOM	178	YR1XUSBY	179
YPSF2136F	209	YR1C30S	156, 370	YR1EPIC12	300, 371	YR1XUSBZ	179
YPSF2148	210	YR1CB2712B	167	YR1EPIC20	300, 371	YRCE	156, 371
YPSF2148F	209	YR1CB3912B	167	YR1EPNY	157, 178, 371	YROF	158, 178, 370
YPSF2160	210	YR1CB6906B	167	YR1EVWMNY	157	YRPHA18	156
YPSF2160F	209	YR1CB6906H	167	YR1PCC100	167, 179	YRPHA30	156
YPSF2172	210	YR1CB6906N	167	YR1PDCX	156, 178	YRPHA42	156
YPSF2172FRR	209	YR1CB6906S	167	YR1TCP	374	YRPH12	156, 370
YPSF2424	210	YR1CB6912B	167	YR1TCPC28	374	YRPH24	156, 370
YPSF2424F	209	YR1CB6912H	167	YR1TCPC30	374	YRPH12	156, 370
YPSF2436	210	YR1CBB4	168	YR1TDPI	157, 178, 371	YRPH24	156, 370
YPSF2436F	209	YR1CBB7	168	YR1TJ108	180	YRPM361	161
YPSF2448	210	YR1CBH	167	YR1TJ12	159, 372	YRPM362	161
YPSF2448F	209	YR1CBX2	168	YR1TJ18	159, 180, 372	YRPMK	161
YPSF2460	210	YR1CC	167	YR1TJ24	159, 180, 372	YSAD21	230
YPSF2460F	209	YR1CMB	156, 370	YR1TJ30	159, 372	YSAD21NET	230
YPSF2472	210	YR1CMP	156	YR1TJ36	159, 180, 372	YSAD27	230
YPSF2472FRR	209	YR1CP	157, 371	YR1TJ42	159, 372	YSAD27NET	230
YPSFF24	209	YR1DA	158, 370	YR1TJ48	159, 180, 372	YSAD30	230
YPSFF36	209	YR1DAC	158	YR1TJ54	159, 372	YSADPADG	230
YPSFF48	209	YR1DB	158, 370	YR1TJ60	159, 180, 372	YSADPADN	230
YPSFF60	209	YR1DBC	158	YR1TJ66	159, 372	YSCH	270
YPSFF72	209	YR1DC	158, 370	YR1TJ7	159, 372	YSCS1212	262
YPSI1416	204	YR1DCC	158	YR1TJ72	159, 180, 372	YSCS2412	262
YPSI1416F	203	YR1DM4	163, 373	YR1TJ84	180	YSCSD1212	262
YPSI1418	204	YR1DM6	163, 373	YR1TJ96	180	YSCSD2412	262
YPSI1418F	203	YR1DOC422C10N	163, 373	YR1TOM	178	YSDPAD	226
YPSI1419	204	YR1DOC422C6N	163, 373	YR1TPIC12	300, 371	YSDXFB18	244
YPSI1419F	203	YR1DOC422H6N	163, 373	YR1TPIC20	300, 371	YSDXFB24	244
YPSI1422	204	YR1DOC4U3C10N	163, 373	YR1TPNY	157, 178, 371	YSDXFB27	244
YPSI1422F	203	YR1DOC4U3C6N	163, 373	YR1TPS24	374	YSDXFB30	244

<i>pattern no.</i>	<i>page</i>	<i>pattern no.</i>	<i>page</i>	<i>pattern no.</i>	<i>page</i>	<i>pattern no.</i>	<i>page</i>
YSDXFB36	244	YSFCFF2836	274	YSMUSDL36L	256	YSSOS24L	235
YSDXFB53	244	YSFCO2D5636	279	YSMUSDL42L	256	YSSOS24V	236
YSDXFB59	244	YSFCOF2536	275	YSMUSDL48L	256	YSSOS27BL	235
YSDXFB65	244	YSFCOF2836	275	YSMUSDL60L	256	YSSOS27BV	236
YSDXFB77	244	YSFCOFF4236	274	YSMUSDL72L	256	YSSOS27L	235
YSDXOS1815	239	YSFCOFF4936	274	YSMUSDR36L	256	YSSOS27V	236
YSDXOS2415	239	YSFCOFF5636	274	YSMUSDR42L	256	YSSPAD	226
YSDXOS2715	239	YSFCOFF6736	274	YSMUSDR48L	256	YSSPF21	232
YSDXOS3015	239	YSFCOS2536	281	YSMUSDR60L	256	YSSPF21VL	233
YSDXOS3615	239	YSFCOS2836	281	YSMUSDR72L	256	YSSPF24	232
YSDXOS5315	242	YSFCOS4236	281	YSMUSOL36	255	YSSPF24B	232
YSDXOS5915	242	YSFCOS4936	281	YSMUSOL42	255	YSSPF24BVL	233
YSDXOS6515	242	YSFCOS5636	281	YSMUSOL48	255	YSSPF24VL	233
YSDXOS7715	242	YSFCOSO2536	281	YSMUSOL60	255	YSSPF27	232
YSDXSS2415	239	YSFCOSO2836	281	YSMUSOL72	255	YSSPF27B	232
YSDXSS2715	239	YSFCWD6736	272	YSMUSOR36	255	YSSPF27BVL	233
YSDXSS3015	239	YSFCWL4924	272	YSMUSOR42	255	YSSPF27VL	233
YSDXSS3615	239	YSFCWL6718	272	YSMUSOR48	255	YSSPF33	232
YSDXSS5315	242	YSFCWR4924	272	YSMUSOR60	255	YSSPF33B	232
YSDXSS5915	242	YSFCWR6718	272	YSMUSOR72	255	YSSPF33BVL	233
YSDXSS6515	242	YSFFF18L	219	YSMWMO36	286	YSSPF33VL	233
YSDXSS7715	242	YSFFF18N	219	YSMWMO42	286	YSUES3615	249
YSDXUP	86, 239	YSFFF18R	219	YSMWMO48	286	YSUES4815	249
YSFA	90, 219, 223	YSFFF24L	219	YSMWMO60	286	YSUOP24	258
YSFB18	219	YSFFF24N	219	YSMWMO72	286	YSUOP30	258
YSFB24	219	YSFFF24R	219	YSMWMMS36L	286	YSUOP36	258
YSFBBF18L	219	YSFFF30L	219	YSMWMMS42L	286	YSUOP48	258
YSFBBF18N	219	YSFFF30N	219	YSMWMMS48L	286	YSUOP60	258
YSFBBF18R	219	YSFFF30R	219	YSMWMMS60L	286	YSUOP72	258
YSFBBF24L	219	YSFSB	214	YSMWMMS72L	286	YSUOS3615	249
YSFBBF24N	219	YSFSLA23612	214	YSSD3615	284	YSUOS4215	249
YSFBBF24R	219	YSFSLA23618	214	YSSD4215	284	YSUOS4815	249
YSFBBF30L	219	YSFSLA24812	214	YSSD4815	284	YSUOS6015	249
YSFBBF30N	219	YSFSLA24818	214	YSSD6015	284	YSUOS7215	249
YSFBBF30R	219	YSFSLA493612	214	YSSD7215	284	YSUS2BT	260
YSFC2D2536	277	YSFSLA93618	214	YSSDL3615	251	YSUS2F25	260
YSFC2D2836	277	YSFSLA94812	214	YSSDL4215	251	YSUS2F28	260
YSFC2D4236	277	YSFSLA94818	214	YSSDL4815	251	YSUS3BT	260
YSFC2D4936	277	YSFSR423612	214	YSSDL6015	251	YSUS3F25	260
YSFC2D5636	277	YSFSR423618	214	YSSDL7215	251	YSUS3F28	260
YSFC2D02536	277	YSFSR424812	214	YSSDR3615	252	YSUSDL3615	251
YSFC2D02836	277	YSFSR424818	214	YSSDR4215	252	YSUSDL4215	251
YSFC2D05636	279	YSFSR493612	214	YSSDR4815	252	YSUSDL4815	251
YSFC4D5636	277	YSFSR493618	214	YSSDR6015	252	YSUSDL6015	251
YSFCBF2536	274	YSFSR494812	214	YSSDR7215	252	YSUSDL7215	251
YSFCDASK27	270	YSFSR494818	214	YSSOF15L	235	YSUSDR3615	252
YSFCDASK30	270	YSFWB30	223	YSSOF15V	236	YSUSDR4215	252
YSFCDASK36	270	YSFWB36	223, 275	YSSOF21L	235	YSUSDR4815	252
YSFCDE4927	269	YSFWDF30N	222	YSSOF21V	236	YSUSDR6015	252
YSFCDE4930	269	YSFWDF36N	222	YSSOF24BL	235	YSUSDR7215	252
YSFCDE4936	269	YSFWFF3018	222	YSSOF24BV	236	YSUSNDL3615	249
YSFCDEL4924	266	YSFWFF3024	222	YSSOF24L	235	YSUSNDL4215	249
YSFCDER4924	267	YSFWFF30N	222	YSSOF24V	236	YSUSNDL4815	249
YSFCDL4924	266	YSFWFF3618	222	YSSOF27BL	235	YSUSNDL6015	249
YSFCDL4927	266	YSFWFF3624	222	YSSOF27BV	236	YSUSNDL7215	249
YSFCDL4930	266	YSFWFF36N	222	YSSOF27L	235	YSUSNDR3615	250
YSFCDL4936	266	YSMOPDF18	225	YSSOF27V	236	YSUSNDR4215	250
YSFCDO4924	269	YSMOPDF24	225	YSSOF33BL	235	YSUSNDR4815	250
YSFCDO4927	269	YSMPDF18	225	YSSOF33BV	236	YSUSNDR6015	250
YSFCDO4930	269	YSMPDF24	225	YSSOF33L	235	YSUSNDR7215	250
YSFCDO4936	269	YSMUOS36	255	YSSOF33V	236	YSWMO3615	284
YSFCDR4924	267	YSMUOS42	255	YSSOS21L	235	YSWMO4215	284
YSFCDR4927	267	YSMUOS48	255	YSSOS21V	236	YSWMO4815	284
YSFCDR4930	267	YSMUOS60	255	YSSOS24BL	235	YSWMO6015	284
YSFCDR4936	267	YSMUOS72	255	YSSOS24BV	236	YSWMO7215	284

<i>pattern no.</i>	<i>page</i>	<i>pattern no.</i>	<i>page</i>	<i>pattern no.</i>	<i>page</i>	<i>pattern no.</i>	<i>page</i>
YSWMS3615	284	YT6630	44	YTD7818	48	YTH7236	47
YSWMS4215	284	YT6636	45	YTD7824	48	YTH7818	46
YSWMS4815	284	YT6648	45	YTD7827	48	YTH7824	46
YSWMS6015	284	YT6924	56	YTD7830	49	YTH7827	46
YSWMS7215	284	YT6930	56	YTD7836	49	YTH7830	47
YT3018	43	YT6936	56	YTD8418	48	YTH7836	47
YT3024	43	YT7208	50	YTD8424	48	YTH8418	46
YT3027	44	YT7218	43	YTD8427	48	YTH8424	46
YT3030	44	YT7224	43	YTD8430	49	YTH8427	46
YT3036	45	YT7227	44	YTD8436	49	YTH8430	47
YT3048	45	YT7230	44	YTDV24484824	54	YTH8436	47
YT3324	56	YT7236	45	YTDV24545424	54	YTHVC24484824	54
YT3330	56	YT7248	45	YTDV24606024	54	YTHVC24545424	54
YT3618	43	YT7808	50	YTDV27484827	54	YTHVC24606024	54
YT3624	43	YT7818	43	YTDV27545427	54	YTHVC27484827	54
YT3627	44	YT7824	43	YTDV27606027	54	YTHVC27545427	54
YT3630	44	YT7827	44	YTDVS24484824	54	YTHVC27606027	54
YT3636	45	YT7830	44	YTE1524	51	YTHVS24484824	54
YT3648	45	YT7836	45	YTE1527	51	YTT24	58
YT3924	56	YT7848	45	YTE1530	51	YTT30	58
YT3930	56	YT8408	50	YTE1531	51	YTT36	58
YT4218	43	YT8418	43	YTE1536	51	YTT42	58
YT4224	43	YT8424	43	YTE1537	51	YTT47	58
YT4227	44	YT8427	44	YTE1539	51	YTT4724	349
YT4230	44	YT8430	44	YTE1540	51	YTT4727	349
YT4236	45	YT8436	45	YTE1541	51	YTT4730	349
YT4242	45	YT8442	45	YTE1543	51	YTT48	58
YT4248	45	YT8448	45	YTE1549	51	YTT53	58
YT4524	56	YT9018	43	YTE1552	51	YTT5324	349
YT4530	56	YT9024	43	YTE1553	51	YTT5327	349
YT4536	56	YT9027	44	YTE1558	51	YTT5330	349
YT4808	50	YT9030	44	YTE1559	51	YTT59	58
YT4818	43	YT9036	45	YTE1564	51	YTT5924	349
YT4824	43	YT9048	45	YTE1565	51	YTT5927	349
YT4827	44	YT9618	43	YTE1576	51	YTT5930	349
YT4830	44	YT9624	43	YTE1577	51	YTT65	58
YT4836	45	YT9627	44	YTE1841	51	YTT6524	349
YT4848	45	YT9630	44	YTE1853	51	YTT6527	349
YT5124	56	YT9636	45	YTE1859	51	YTT6530	349
YT5130	56	YT9648	45	YTE1865	51	YTT70	58
YT5136	56	YTD4818	48	YTE1877	51	YTT71	58
YT5408	50	YTD4824	48	YTH4818	46	YTT7124	349
YT5418	43	YTD4827	48	YTH4824	46	YTT7127	349
YT5424	43	YTD4830	49	YTH4827	46	YTT7130	349
YT5427	44	YTD4836	49	YTH4830	47	YTT76	58
YT5430	44	YTD5418	48	YTH4836	47	YTT77	58
YT5436	45	YTD5424	48	YTH5418	46	YTT7724	349
YT5448	45	YTD5427	48	YTH5424	46	YTT7727	349
YT5724	56	YTD5430	49	YTH5427	46	YTT7730	349
YT5730	56	YTD5436	49	YTH5430	47	YTT82	58
YT5736	56	YTD6018	48	YTH5436	47	YTT83	58
YT6008	50	YTD6024	48	YTH6018	46	YTT8324	349
YT6018	43	YTD6027	48	YTH6024	46	YTT8327	349
YT6024	43	YTD6030	49	YTH6027	46	YTT8330	349
YT6027	44	YTD6036	49	YTH6030	47	YTT88	58
YT6030	44	YTD6618	48	YTH6036	47	YTT89	58
YT6036	45	YTD6624	48	YTH6618	46	YTT94	58
YT6048	45	YTD6627	48	YTH6624	46	YTT95	58
YT6324	56	YTD6630	49	YTH6627	46	YTT18	59
YT6330	56	YTD6636	49	YTH6630	47	YTT24	59
YT6336	56	YTD7218	48	YTH6636	47	YTT30	59
YT6608	50	YTD7224	48	YTH7218	46	YTT36	59
YT6618	43	YTD7227	48	YTH7224	46	YTT42	59
YT6624	43	YTD7230	49	YTH7227	46	YTT48	59
YT6627	44	YTD7236	49	YTH7230	47	YTT60	59

<i>pattern no.</i>	<i>page</i>	<i>pattern no.</i>	<i>page</i>
YTTE66	59	YUBC3423	128
YTTE72	59	YUBC3429	128
YTTE78	59	YUBC4023	128
YTTE84	59	YUBC4029	128
YTTE87	59	YUBC4623	128
YTTE90	59	YUBC4629	128
YTTE96	59	YUBC5223	128
YTTM23	59	YUBC5229	128
YTTM29	59	YUBC5823	128
YTTM35	59	YUBC5829	128
YTTM41	59	YUBC6423	128
YTTM47	59	YUBC6429	128
YTTR3024	350	YUBC7023	128
YTTR3027	350	YUBC7029	128
YTTR3030	350	YUBT4629	128
YTTR3624	350	YUBT5229	128
YTTR3627	350	YUBT5829	128
YTTR3630	350	YUBT6429	128
YTTR4224	350	YUBT7029	128
YTTR4227	350	YUBY464616	128
YTTR4230	350	YUBY525216	128
YTTR4824	350	YUBY585816	128
YTTR4827	350		
YTTR4830	350		
YTTR5424	350		
YTTR5427	350		
YTTR5430	350		
YTTR6024	350		
YTTR6027	350		
YTTR6030	350		
YTTR6624	350		
YTTR6627	350		
YTTR6630	350		
YTTR7224	350		
YTTR7227	350		
YTTR7230	350		
YTV C24484824	54		
YTV C24545424	54		
YTV C24606024	54		
YTV C27484827	54		
YTV C27545427	54		
YTV C27606027	54		
YTV S24484824	54		
YTWSHK118	60		
YTWSHK124	60		
YTWSHK130	60		
YTWSHK136	60		
YTWSHK142	60		
YTWSHK148	60		
YTWSHK160	60		
YTWSHK172	60		
YTWSHK218	60		
YTWSHK224	60		
YTWSHK230	60		
YTWSHK236	60		
YTWSHK242	60		
YTWSHK248	60		
YTWSHK260	60		
YTWSHK272	60		
YTY4624	56		
YTY4627	56		
YTY5224	56		
YTY5227	56		
YTY5824	56		
YTY5827	56		

# Selling Policy

	<p>This Selling Policy supercedes all previous selling policies. Prices, discounts and product offerings are subject to change without notice.</p>
<b>Terms &amp; Conditions of Sales</b>	<p>Sales by Knoll, Inc. or Knoll North America Corp. ("Seller") of Knoll Product Lines (hereinafter "Products") within the United States and Canada are made only on the terms which are contained in this Selling Policy. Seller hereby gives notice of its objection to any different or additional terms and conditions. This sale is expressly conditional upon Purchaser's assent to the terms and conditions set forth below. Additional terms and conditions may apply to KnollStudio and KnollTextiles orders. These terms and conditions may be modified or supplemented only by a written document signed by an authorized representative of Seller. These terms and conditions supercede any prior and/or contemporaneous agreements or correspondence between Purchaser and Seller. Written quotations expire thirty (30) days from the date of issuance and can be withdrawn by written notice anytime during that period. Where Purchaser and Seller have entered into the Knoll Electronic Terms and Conditions, all orders, acknowledgements, invoices and other business communications placed or transmitted in accordance with the Knoll Electronic Terms and Conditions shall be deemed to be in writing and signed and shall be valid for all purposes as if they were originated and maintained in documentary form.</p>
<b>Ordering Information</b>	<p>All orders must be in writing. The product pattern number(s) contained on Seller's order acknowledgement shall be the final expression of the order.</p>
<b>Order Confirmation</b>	<p>A purchase order is not binding on Seller until Purchaser has received Seller's order confirmation or acknowledgment.</p>
<b>Pricing Policies</b>	<p>List prices are subject to change without notice.</p> <p>List prices shall be those prices in effect on the date of receipt of a complete purchase order unless shipment is requested more than ninety (90) days after order entry in which case prices in effect on the date of shipment apply. List prices include specified freight costs. Unless specified in writing by Seller, no other charges are included in Seller's list prices.</p>
<b>Taxes</b>	<p>All sales, use, excise and other taxes applicable to the sale of the Products shall be paid by Purchaser. If Purchaser claims an exemption from any tax, Purchaser shall submit to Seller the appropriate exemption certificates.</p>
<b>Terms of Payment</b>	<p>Payment for one hundred percent (100%) of the net order amount is due within thirty (30) days of the date of invoice, which is generally issued upon shipment. In case of any discrepancies, such as shortages, and Seller is notified in writing within ten (10) days of receipt of Product, only that portion may be deducted and the balance paid. For orders greater than \$100,000 net, a fifty percent (50%) deposit is due at the time of order placement, with the remainder due within thirty (30) days of the date of invoice.</p> <p>KnollStudio orders less than \$2,000 require payment for one hundred percent (100%) of the net order amount (including any applicable sales tax and charges for inside delivery, special packaging, etc.), due at time of order placement. For KnollStudio orders greater than \$2,000, a one-half (50%) deposit is due at time of order placement with the remainder (including any applicable sales tax and charges for inside delivery, special packaging, etc.) due prior to shipment.</p> <p>If, in the judgment of Seller, Purchaser's financial condition does not justify the terms of the payment, Seller may require full or partial payment in advance.</p> <p>Past due accounts shall be charged one and one-half percent (1.5%) per month, or the highest rate permitted by law, whichever is less, and will be added to the outstanding balance. In the event Purchaser defaults on payment, Purchaser shall be liable for all collection costs, including reasonable attorney's fees and costs.</p>
<b>Changes and Cancellation</b>	<p>Purchase orders may not be changed or cancelled, in whole or in part, without prior written consent of Seller. Changes may effect delivery dates. Expenses incurred because of changes shall be charged to Purchaser. In the event of cancellations, Purchaser will be liable for reasonable cancellation charges established by Seller. Orders for special Product, orders including "COM" (hereinafter defined) material and orders pursuant to expedited delivery programs, may not be canceled.</p>
<b>Freight Prepaid</b>	<p>Freight is prepaid and included in the price of all Products, except KnollTextiles, within the 48 contiguous United States for orders placed with Knoll, Inc. and within Canada, excluding the Yukon, Northwest Territories, Nunavut and Newfoundland for orders placed with Knoll North America Corp. Packing is tested for rigorous motion and transportation but is not guaranteed to protect furniture from all conditions. If special packaging is required for any reason, please consult with your sales representative or dealer. Seller shall select the method of shipment and routing. Freight for all KnollTextiles orders is prepaid and added to the invoice.</p>
<b>Delivery/Freight Charges</b>	<p>Shipments outside the contiguous 48 United States and Canada shall be shipped F.O.B. Origin.</p> <p>For shipments outside the contiguous United States and Canada, Purchaser is responsible for the cost of freight from point of embarkation, including any handling and transportation charges incidental to loading at the point of departure and unloading at the final destination.</p> <p>Conditions beyond the control of Seller, including weather, available facilities and traffic conditions, may affect exact time of delivery. Seller shall not be responsible for specific carrier delivery date or time unless it has made a specific delivery commitment, in writing.</p> <p>Nonstandard methods of shipment and/or additional services are available upon request. Purchaser will be billed for the differential cost of any special services in excess of standard surface carrier freight costs. Premium charges, at Purchaser's request, will be added for airfreight, exclusive use of vehicle and extra, export or special packaging. Accessorial charges will be added for inside delivery, extra labor, reassignment and redelivery.</p> <p>Partial shipments may be made and invoiced by Seller.</p>
<b>Claims</b>	<p>All shipments for Knoll Products within the contiguous United States and Canada are F.O.B. Origin. All risk of loss passes to Purchaser at time of delivery to carrier. Purchaser shall inspect all Products upon receipt and notify Seller within ten (10) working days after receipt of any damage or defects which are, or should be, apparent from an inspection of the Product and its packaging. Failure of Purchaser to notify Seller during the ten (10) working day period shall constitute acceptance of the Products and waiver of any apparent defects, errors or shortages. For all claims relating to Product damaged in transit or for any other claims relating to or arising out of the transportation of the Product, Purchaser must seek recovery from the carrier and Seller has no liability to Purchaser for such claims. Seller may, upon request, assist Purchaser with filing of such claims with the carrier, but Seller will not be liable for any of these transportation related claims.</p>
<b>Seller's Security Interest</b>	<p>Until Seller receives the full payment for the Product, Seller shall have a security interest in the Product. Purchaser agrees to perform all acts, including but not limited to the execution and filing of documentation, which may be necessary to perfect and assure the security interest of Seller.</p>
<b>Returns</b>	<p>The return of Products without a written authorization by Seller shall not be accepted. To receive authorization for Product return, please call Customer Service. All Products that are returned pursuant to a valid authorization shall be subject to a twenty-five percent (25%) of list restocking charge. Products not currently offered for sale by Seller (including COM) shall not be authorized for return. All returned Products must be unused, in original condition and in the original Seller packing cartons. No refund or credit shall be given for damaged Products.</p>
<b>Held Orders/Storage</b>	<p>If Purchaser requests that an order be held or delayed, prices and terms and conditions in effect at the time of shipment shall apply. If Purchaser requests a delay after the time when Seller can defer production, Purchaser will be invoiced for the Product, payable in accordance with standard terms, when the order is ready for shipment. Seller may transfer the Product to storage, in which case all expenses incurred in connection with storage, including demurrage, preparation for storage, storage charges and handling shall be payable by Purchaser upon submission of invoices by Seller. Risk of loss to the Product shall pass to the Purchaser upon delivery of the Product into storage.</p>



# Selling Policy

<b>Customer's Own Material</b>	A Purchaser who requests a fabric or other surface material not standard to Seller's line of Products ("COM") must submit samples of the requested material to Seller prior to entry of a purchaser order. Seller shall determine if the material is suitable to its manufacturing processes and meets any requirements of Underwriters Laboratories. If the COM is acceptable, Seller will then establish a price for using the COM or the Product in question. For a description of the procedures for submitting samples and testing, contact customer resources or your sales representative. Seller shall have no responsibility for the appearance, condition, performance, durability, colorfastness or any other physical attribute of the COM. Purchaser shall indemnify and hold Seller harmless for any damages, injuries or losses arising out of or related to use of the COM on the Product.
<b>Warranty</b>	<p>Seller warrants to the original Purchaser only that the Products Seller manufactures and sells to Purchaser are free of defects in workmanship and materials, during the applicable warranty period set forth below.</p> <p>Warranty period set forth below is for 24-hour, 7 days a week, multi shift use (includes parts and labor to repair).</p> <p>Should any failure to conform with this limited warranty appear to a Product listed below during the applicable warranty period from the date of shipment, Seller shall, upon prompt written notice, repair or replace, at its option and costs, the affected part or parts.</p> <p><i>Product and Period of Warranty</i></p> <p><i>Lifetime: Antenna Workspaces, AutoStrada, Calibre, Crinion Open Table, Currents, Dividends Horizon, Morrison, Reff Profiles laminate, Series 2 Storage, Template and other non-wood components (except cascade edge worksurfaces, operational parts, controls, electrical, Lighting, Series 2 Veneer Front Storage, special or custom products, see below)</i></p> <p><i>12 Years: Chadwick, Essentials Work Chairs, Generation by Knoll, Life, Moment, MultiGeneration by Knoll, ReGeneration by Knoll, Remix, RPM, Sapper and Toboggan seating (except seating upholstery, textiles, leathers and finishes, see below).</i></p> <p><i>10 Years: Anchor Storage except digital keypad lock, Antenna Workspaces, AutoStrada, Crinion Open Table, Dividends Horizon, Dividends Horizon Satellite Surfaces, Reff Profiles, Template wood components, Series 2 Veneer Front Storage, cascade edge worksurfaces, Wood Casegoods (The Graham Collection) (except wood casegoods upholstered surfaces, see below), Reuter overheads, Reuter vertical storage, KnollExtra Sapper Monitor Arm Collection, Sapper XYZ Monitor Arm, Adjustable keyboard mechanisms and platforms, Communication Boards (except fabric board textiles, see below), Smokador collection (except leathers, see below), and Orchestra Universal Systems Accessories, k. lounge structural components.</i></p> <p><i>5 Years: Operational parts, controls, electrical, Lighting (except light ballasts, bulbs and power supply, see below), special or custom product, wood veneer products, Currents handcrank, Interaction Counterforce, KnollStudio, Spark Series seating structural elements, structural elements of all KnollStudio outdoor products including all Richard Schultz designed products, KnollExtra CPU storage and all universal storage drawers and Power Collection, Tone Tables.</i></p> <p><i>3 Years: Seating upholstery, textiles, leathers and finishes. Fabric boards textiles and Smokador Collection leathers.</i></p> <p><i>2 Years: Anchor Storage digital keypad lock, all other KnollExtra product</i></p> <p><i>1 Year: Light ballasts, bulbs and power supply, seating upholstered amp pads and soft amp pads, wood casegoods upholstered surfaces. KnollStudio, outdoor product finishes, k. lounge upholstery and k. lounge fabric.</i></p> <p>This warranty does not apply to:</p> <ul style="list-style-type: none"><li>• Damage caused by a carrier other than the Seller.</li><li>• Normal wear and tear or acts or omissions of parties other than Seller (including user modification, improper use or installation of Products).</li><li>• COM or other third party materials applied to Products.</li><li>• Products not installed by or under the auspices of a Knoll Dealer.</li><li>• Dramatic temperature variations or exposure to unusual conditions.</li><li>• Changes in surface finishes, including colorfastness due to aging or exposure to light.</li><li>• Clear paint finish applied to Antenna Workspaces steel or aluminum part.</li><li>• Except as specifically noted above, textiles and upholstery supplied by <i>KnollTextiles</i> (consult current <i>KnollTextiles</i> price list for applicable warranty).</li></ul> <p>Natural variations occurring in wood, marble, and leather shall not be considered defects, and the Seller does not guarantee the colorfastness or matching of the colors, grains or textures, or surface hardness of such materials. The Seller also does not guarantee the colorfastness of fiberglass panel surfaces. THE EXPRESS WARRANTIES CONTAINED HEREIN ARE IN LIEU OF ALL OTHER WARRANTIES, EXPRESS OR IMPLIED, INCLUDING ANY WARRANTIES OF MERCHANTABILITY AND FITNESS FOR PARTICULAR PURPOSE AND ALL OTHER WARRANTIES ARISING FROM COURSE OF DEALING OR USAGE OF TRADE.</p> <p>The remedies provided above are the Purchaser's sole remedies for any failure of Seller to comply with its obligations regarding the workmanship of its Products. Correction of any nonconformity in the manner and for the period of time provided shall constitute complete fulfillment of all liabilities of Seller, with respect to or arising out of the Product furnished hereunder.</p>
<b>Delay/Force Majeure</b>	Seller shall not be liable for failure to perform or for delay in performance due to fire, flood, strike or other labor difficulty, act of God, act of any governmental authority or of the Purchaser, riot, embargo, fuel or energy shortage, wrecks or delay in transportation, inability to obtain necessary labor, materials or manufacturing facilities from usual sources or failure of suppliers to meet their contractual obligations, or due to any cause beyond its reasonable control. If any such event occurs, Seller may extend delivery dates by a period of time necessary to overcome the effect of such delay, allocate available Product or cancel any purchase order.
<b>Compliance with Law</b>	PURCHASER IS SOLELY RESPONSIBLE FOR COMPLIANCE WITH ALL APPLICABLE FEDERAL, STATE AND LOCAL LAWS, ORDINANCES, REGULATIONS, RULES AND STANDARDS RELATING TO THE INSTALLATION, MAINTENANCE, USE AND OPERATION OF THE PRODUCTS.
<b>Patents</b>	<p>Subject to the following provisions, Seller shall, at its own expense, defend or, at its option, settle any claim, suit or proceeding brought against the Purchaser, and/or its vendees, mediate and immediate, so far as based on an allegation that any Product or any part thereof furnished hereunder constitutes a direct or a contributory infringement of any claim of any patent of the United States or Canada. This obligation shall be effective only if Purchaser shall have made all payments then due hereunder and if Seller is notified promptly in writing and given authority, information and assistance for the defense of said claim, suit or proceeding. Seller shall pay all damages and costs awarded in such suit or proceedings so defended.</p> <p>The foregoing indemnity does not apply to the following:</p> <ul style="list-style-type: none"><li>• Products supplied according to a design other than that of Seller, and which is required by the Purchaser.</li><li>• Combination of the Product with another product not furnished hereunder unless Seller is a contributory infringer.</li><li>• Any settlements of a suit or proceeding made without Seller's written consent.</li></ul>
<b>Limitations of Liability</b>	<p><b>SELLER, ITS CONTRACTORS, AUTHORIZED DEALERS AND SUBCONTRACTORS OR SUPPLIERS OF ANY TIER SHALL NOT BE LIABLE TO PURCHASER FOR ANY SPECIAL, INDIRECT, INCIDENTAL OR CONSEQUENTIAL DAMAGES ARISING FROM A BREACH OF THIS AGREEMENT.</b></p> <p>Purchaser's remedies set forth herein are exclusive and the liability of Seller with respect to the breach of this agreement or any contract entered into between the parties pursuant hereto shall not exceed the price of the Product or part on which such liability is based.</p>

# KnollKey Lock Program

## KnollKey Lock Program General Information

Following is the KnollKey lock policy, applicable to all products.

Knoll furniture can be ordered keyed-alike or random keyed. Key-alike and random keying instructions cannot be mixed on any single order. Only one of the two instructions can be used on an individual order. When an order is submitted with mixed (key-alike and random) instructions, Knoll will release the order as key-alike only and lock cores will have to be specified separately.

### Key-alike

For the convenience of the user, furniture may be keyed alike at no charge. Write "Key-alike" in the description of your purchase order for any pedestal, overhead, file or other item you wish to have keyed alike.

Using the key-alike instructions, order cores and keys as line items on your purchase order. Do NOT submit a key-alike form. The Knoll East Greenville Lock Center will select key numbers from the standard range of K 001 - K 250. Key numbers will not be repeated unless over 250 sets are ordered. Lock cores keyed-alike will ship separately from the product, ready for field installation.

There is no charge for key-alike orders if placed with the furniture order.

**IF THE KEY-ALIKE ORDER IS NOT PLACED AT LEAST TWO WEEKS PRIOR TO THE FURNITURE SHIP DATE, A \$50 HANDLING CHARGE AND AIR FREIGHT CHARGES WILL APPLY.**

**If product is ordered and shipped random-keyed, additional lock cores for key-alike are billable.**

### Random-Keying

To specify product keyed-random, write "key-random" in the product description. Random-keyed product is shipped with the lock core factory installed. A shrouded key is included. Random means no effort has been made to match key numbers, or to make them different.

### Keys

A Knoll shrouded key is shipped with every lock core. 250 Key numbers are available. For numbers above 250, contact Custom Product Development. Additional keys and key blanks are available. See service parts for more information.

### Master Keying

Knoll locks can be controlled by means of a master key. There is no additional per-lock charge for master keying. A letter of approval from the client must accompany orders for master keys.

### Installing Lock Cores

Lock cores can be installed or removed in the field by using a change key. Cores must be in the unlocked position to be removed. See service parts for change key pattern number and pricing.

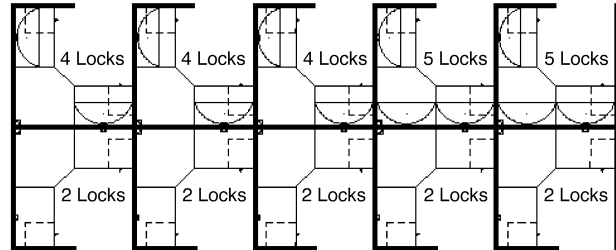
### Lock Distribution

All orders for key-alike lock cores/keys are packaged and shipped from the East Greenville Lock Center, regardless of where the pedestals, overhead, or other units are produced. Random keyed product will have cores factory-installed.

## How to Specify Key-Alike

Following is an example of how to specify key-alike for a cluster of 10 workstations.

**Step 1** - Using the project floorplan, count the number of locks in each workstation.



**Step 2** - Count the number of workstations with the same quantity of locks. Group together the workstations with a like number of locks.

5 workstations with 2 locks per station  
3 workstations with 4 locks per station  
2 workstations with 5 locks per station

**Step 3** - For the first group (5 sets of 2 locks), enter the number of workstations in the quantity column.

Qty	Pattern #	Description	Unit List	Ext. List
5				

**Step 4** - Then enter the pattern number "KSPEC\_ \_" and add a suffix for the number of locks for that group (i.e., for 2 locks per station, add the suffix "2"). Up to 30 lock cores are available in a set (i.e., KSPEC 30).

Qty	Pattern #	Description	Unit List	Ext. List
5	KSPEC 2	Set of 2 cores/keys	N / C	N / C

**Step 5** - Repeat for other groups.

Qty	Pattern #	Description	Unit List	Ext. List
5	KSPEC 2	Set of 2 cores/keys	N / C	N / C
3	KSPEC 4	Set of 4 cores/keys	N / C	N / C
2	KSPEC 5	Set of 5 cores/keys	N / C	N / C

Your Key instructions are complete.

Knoll will select key numbers for each set from 250 available numbers. Additional key numbers are available through Custom Product Development. **For additions to existing installations, specify desired key numbers in the description.**

## Service Parts

Pattern #	Description	List Price
KKEY_ _ _	Shrouded Key Specify key number desired	\$10
KBLANK	Shrouded Key Blank	\$10
KSPECB_ _ _	Retrofit Universal Core/Key Specify key number desired	\$22
KCHANGE	Change Key	\$10
HLKRKMASTER*	Master Key	\$10

\*Note: A letter of approval on company letterhead from the client must accompany all orders for master keys.

# General Ordering Information

---

## **The Products**

This guide encompasses all standard products for this product group.

## **Sizes**

Dimensions listed in this guide are indicated as:

H = height

W = width

D = depth

Dia. = diameter

Rad. = radius

## **Pricing**

All prices shown are list.

## **How to Order**

Select pattern numbers and quantities required for your complete installation. Product questions can be addressed in the specific sections of this guide or by contacting your sales representative or customer resource representative at 1-800-343-5665.

Next, select options (if required), along with colors and finishes appropriate to each product. Reference the Finishes and Fabrics pages for color designations.

On large installations, an item's "designated area" can be specified to assist in product organization and handling.

To expedite complete / correct entry of your order, be certain all pattern numbers, quantities, colors and area identifications are completely specified. Also, include complete purchase order numbers, bill-to and ship-to addresses, a contact name and specific factory shipping dates required.

## **Mail all orders to:**

Knoll, Inc.  
1235 Water Street  
P.O. Box 157  
East Greenville, PA 18041  
Attention: Order Entry

Once your order is entered at Knoll, an acknowledgment will be mailed to you. You will be advised of your scheduled shipping date within five days of the original acknowledgment. If it is necessary to revise your order, please contact your customer resource representative.

## Sustainability Statement

---

Sustainable design is a key component of Knoll's environmental focus. Our commitment to social responsibility and a healthy environment has prompted us to further articulate our longstanding environmental programs and, with encouragement and support from our colleagues in the industry, we have re-energized our focus on such "green" initiatives as life cycle analysis and LEED™ certification. Knoll is proud to have contributed to projects that have received LEED certification from the U.S. Green Building Council.

For the latest information on Knoll products that help our customers achieve LEED certification, log on to [knoll.com](http://knoll.com), click on "About Knoll" and then "Environmental Focus."