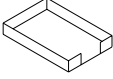
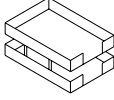
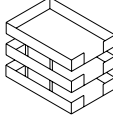




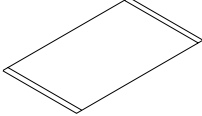
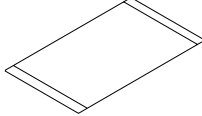
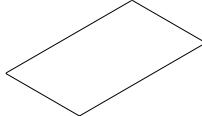
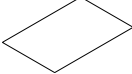
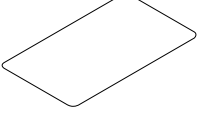



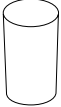
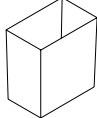

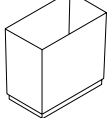
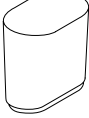
Introduction	Visual Index >>	2
	Using the KnollExtra Price List >>	10
	Placing Your Order >>	12
	KnollExtra Bracket Chart >>	13
	Maintaining Your Purchase >>	14
Desktop Accessories	The Smokador™ Collection : Exec Rectilinear >>	16
	The Smokador™ Collection : Contemporary Leather >>	26
	The Smokador™ Collection : Traditional Leather >>	34
	The Smokador™ Collection : Replacement Parts >>	40
Boardroom Accessories	International Collection : Glassware >>	42
	International Collection : Stainless Boardroom Accessories >>	44
	International Collection : Plastic Boardroom Accessories >>	50
	International Collection : Umbrella Stand and Clocks >>	52
	International Collection : Replacement Parts >>	54
Office System Accessories	foldit™ System Accessories : by Colebrook Bosson Saunders >>	56
	Orchestra® Universal System Accessories : by Bruce Hannah & Ayse Birsel >>	60
	Orchestra® Universal System Accessories : by Brooks Rorke >>	86
Office Automation Accessories	Adjustable Keyboard Supports : Romeo and Juliet Platform/Mechanism Configurations >>	88
	Adjustable Keyboard Supports : Prospero Platform/Mechanism Configurations >>	90
	Adjustable Keyboard Supports : Caesar Platform/Mechanism Configurations >>	92
	Adjustable Keyboard Supports : Act I >>	94
	Adjustable Keyboard Supports : Act II >>	96
	Adjustable Keyboard Supports : Mousing Solutions >>	98
	Freestanding Surf® Ergonomic Accessories : by Ross Lovegrove & Stephen Peart >>	100
	Freestanding Ergonomic Accessories : >>	104
	Colebrook Bosson Saunders for KnollExtra : Wishbone Flat Panel Monitor Support System >>	106
	Colebrook Bosson Saunders for KnollExtra : Wishbone Rotation Flat Panel Monitor Support >>	122
	Colebrook Bosson Saunders for KnollExtra : Zorro Flat Panel Monitor Support >>	124
	Worksurface Support : CPU Holders >>	126
	Worksurface Support : Adjustable CPU Holders >>	130
Worksurface Support : Equipment Storage >>	132	
Laptop Supports : Jellyfish and Lapjack Laptop Stands >>	134	
Storage	Bebop : Carts >>	136
	Bebop : Accessories >>	138
	BackPack® Universal Storage Drawers : by Robert Reuter >>	140
	Universal Pencil Drawer : by Books Rorke >>	150
Communication Boards	Universal Marker Boards : by Bruce Hannah&Ayse Birsel >>	152
	Universal Fabric Boards : Standard Sizes >>	154
	Universal Fabric Boards : Options and Mounting Information >>	158
	Universal Fabric Boards : Top Cap Hung Marker Board >>	160
Lighting	Copeland™ Light : by Stephan Copeland >>	162
	Halley™ Collection : Designed by Richard Sapper for Lucesco Lighting™ >>	164
	Bella Light Fixture by Artemide® : >>	166
	Tolomeo Light Fixtures by Artemide® : >>	168
	Little Dipper and Big Dipper : Lighting System >>	172
Desktop Lamp : By John Rizzi and Brooks Rorke >>	174	
Electrical	Colebrook Bosson Saunders for KnollExtra : Wire Management Spine >>	176
Alpha-Numeric Index >>		178
Product Index >>		180
Selling Policy >>		182
KnollKey Lock Program >>		184
General Ordering Information >>		185

Page **THE SMOKADOR COLLECTION ● Exec Rectilinear**


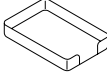
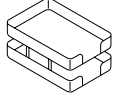
16-17	Single Letter Tray	Double Letter Tray	Triple Letter Tray
			

18-19	Memo Box	Business Card Holder	Round Pencil Cup	Round Clip cup
				

20-21	Desk Pad: 3/4" Side Panels	Desk Pad: 1 1/2" Side Panels	Rectilinear Desk Pad	Conference Pad	Radiused Desk Pad	Oval Conference Pad
						

22-25	Round Wastebasket	Rectilinear Wastebasket	Round Plastic Wastebasket	Rectilinear Plastic Wastebasket	Oval Plastic Wastebasket
					

Page **THE SMOKADOR COLLECTION ● Contemporary Leather**

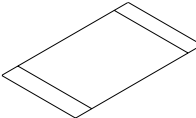
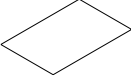


26-27	Letter Tray Cover	Single Letter Tray	Double Letter Tray
			

28-31	Memo Box	Pencil Cup	Coasters
			

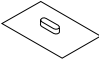
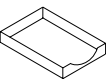
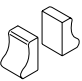
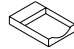
Appointment Book	Note Pad Holder	Picture Frame
		


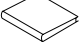
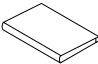
Book Ends

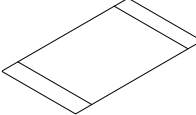
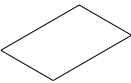



Page **THE SMOKADOR COLLECTION ● Contemporary Leather**

32-33	Desk Pad: 4'' Side Panels	Rectilinear Conference Pad	Oval Conference Pad	Round Wastebasket
				



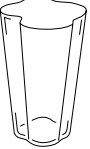

Page **THE SMOKADOR COLLECTION ● Traditional Leather**

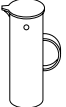
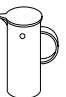


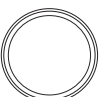
34-35	Letter Tray Cover	Single Letter Tray	Book Ends	Memo Box
				






36-39	Pencil Cup	Appointment Book	Note Pad Holder
			





38-39	Desk Pad: 3 1/2'' Side Panels	Rectilinear Conference Pad	Oval Conference Pad	Round Wastebasket
				

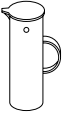
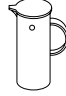
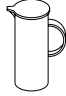


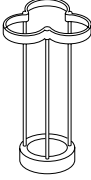

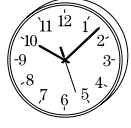
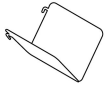
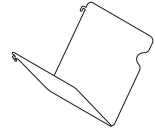

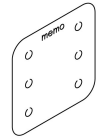
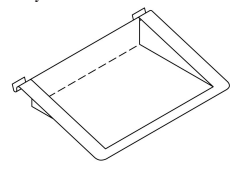
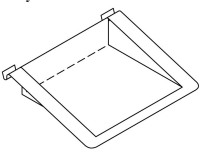
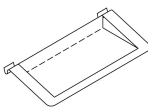
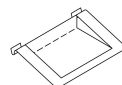
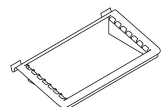
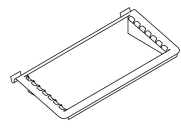
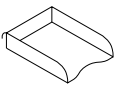
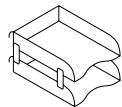
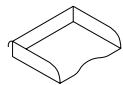
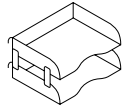
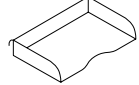
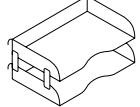
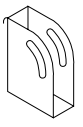
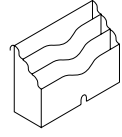
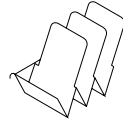
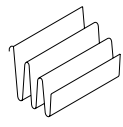
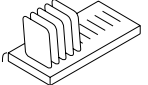
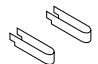

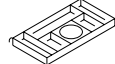

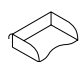
Page **THE INTERNATIONAL COLLECTION**



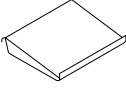
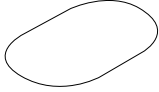
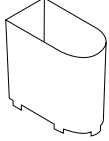
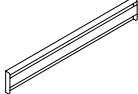
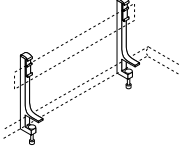
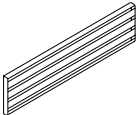
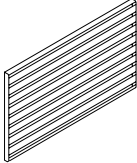
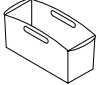
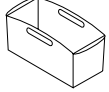
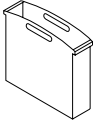
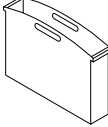
42-43	Aalto Vase	Savoy Vase	Flower Vase	Aarne Glassware
				

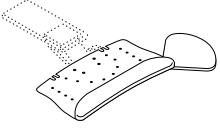
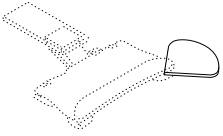
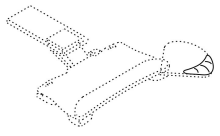
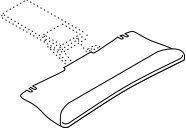
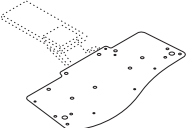
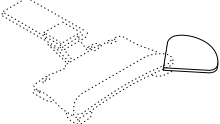
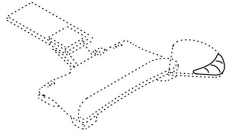

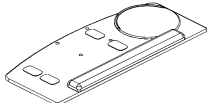
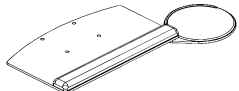
44-45	Large Stainless Carafe	Small Stainless Carafe	Stainless Creamer	Stainless Sugar Bowl	Serving Tray
					



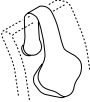
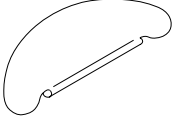
46-47	Stainless Coffee Pot	Stainless Tea Pot	Stainless Creamer and Sugar Bowl	Stainless Serving Tray with Handles	Stainless Ice Bucket
					

48-49	Stainless Ice Tongs	Stainless Coaster Set	Stainless Bottle Coaster	Napkin Holder
				

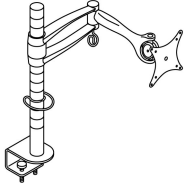
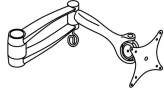
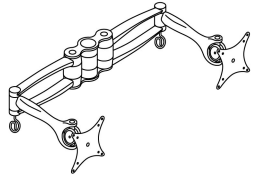
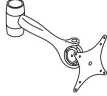


Page	THE INTERNATIONAL COLLECTION					
50-51	Large Plastic Carafe 	Small Plastic Carafe 	Plastic Water Pitcher 	Plastic Creamer 	Plastic Sugar Bowl 	
52-53	Ivy Umbrella Stand 	Mathiesen Wall Clock 	Bodoni Wall Clock 			
Page	foldit™ SYSTEM ACCESSORIES					
56-59	CD Holder 	Paper Sorter 	Pencil/Pen Holder 	Memo Magnet Board 	Letter Tray 1 	Letter Tray 4 
	Letter Tray 2 	Letter Tray 5 	Hanging File Sorter (letter size) 	Hanging File Sorter (legal size) 		
Page	ORCHESTRA UNIVERSAL SYSTEM ACCESSORIES					
60-63	Front Single Letter Tray 	Front Double Letter Tray 	Side Single Letter Tray 	Side Double Letter Tray 	Side Single Legal Tray 	Side Double Legal Tray 
64-65	2-Way Binder Bin 	Vertical Paper Pack 	Slanted Sorter 	File Sorter 		
66-67	Mini-Shelf 	Hanging File Holders 	Pencil Cup 	Utility Tray 		
68-69	Tape Dispenser 	Memo Tray 				


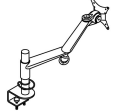

Page	ORCHESTRA UNIVERSAL SYSTEM ACCESSORIES			
70-71	Clip/Cup Holder 	Bud Vase 	Telephone Shelf 	
72-73	Racetack Desk Pad 	Wastebasket & Recycling Wastebasket 		
74-82	Load Bar/Info Rail 	Worksurface: Mounted Bracket 	Slatboard: 6 1/2''H 	Slatboard: 14 3/4''H 
86-87	Portable Small Diskette Tote 	Portable Large Diskette Tote 	Portable Letter Size File Tote 	Portable Legal Size File Tote 

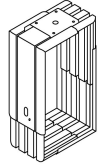
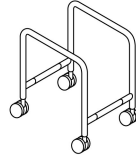
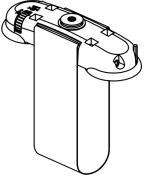
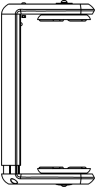
Page	OFFICE AUTOMATION ACCESSORIES				
88-99	Adjustable Keyboard Support - Romeo and Juliet 	Juliet 	Juliet with Palm Rest 		
	Adjustable Keyboard Support - Prospero 	Adjustable Keyboard Support - Caesar 			
	Juliet Mouse Pad 	Juliet Palm Rest 	Over-ten Mouse Pad 	Act I 	Act II 

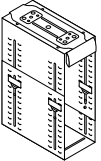
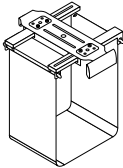
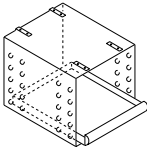
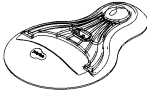
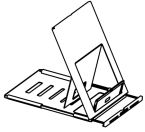
Page	SURF® ERGONOMIC ACCESSORIES			
100-103	Wrist Rest	Mouse Pad	Lumbar support	Surf Board or VDT Corner
				

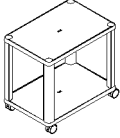
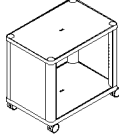
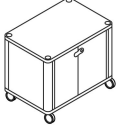
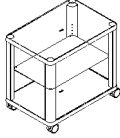
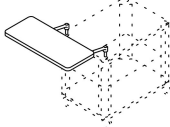
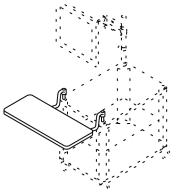
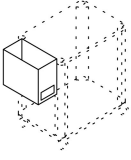
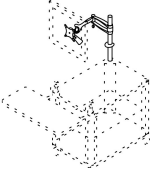
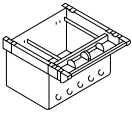
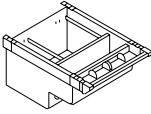
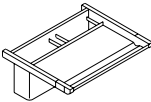
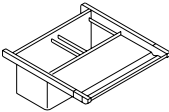
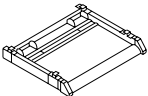
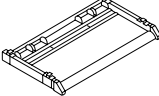
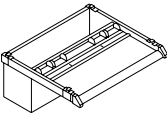
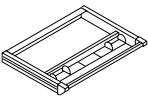
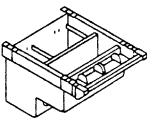

Page	OFFICE AUTOMATION ACCESSORIES	
104	VDT Sleeve	Adjustable Foot Rest
		

106-1	Wishbone Kit	Wishbone Standard Arm	Wishbone Back to Back Arm	Wishbone Forearm	Wishbone C-Arm	Wishbone C-Arm Toolbar Mount
						

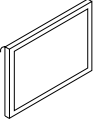
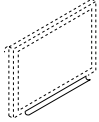
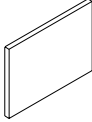
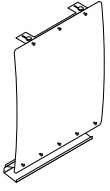
Wishbone Rotation	Zorro	Grommet mount
		

126	Adjustable Metal CPU Holder	Adjustable Mobile CPU Trolley	Loop CPU Holder	JAW CPU Holder
				

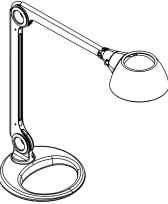



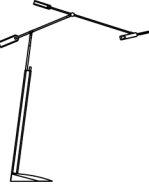
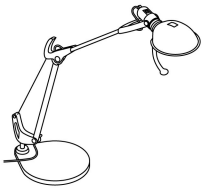
130-135	Adjustable Vertical Metal CPU Holder	Adjustable Vertical Sling CPU Holder	Printer/Fax Drawer	Laptop Support Jellyfish	Laptop Support Lapjack
					

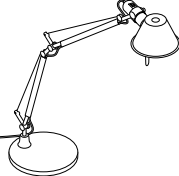
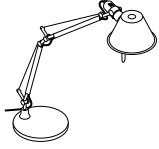
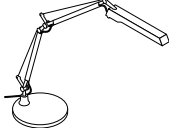

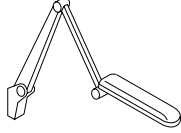
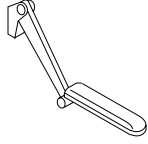
Page	STORAGE				
136-139	Bebop Cart Open	Bebop Cart Panels	Bebop Cart with doors	Bebop Cart Shelf	Bebop AV platform
					
	Bebop Keyboard platform	Bebop Project Bins	Bebop Wishbone		
					
140-143	BackPack® Universal Standard Suspended File	BackPack® Universal Deep Suspended File	Standard Center File	Deep Center File	
					
144-147	Narrow Keyboard Drawer	Wide Keyboard Drawer with Mouse Pad	Keyboard/Filing Drawer		
					
148-151	Pencil Drawer	Top Drawer	Universal Pencil Drawer		
					

Page **COMMUNICATIONS BOARDS**

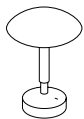
152-161	Marker Board	Marker Tray	Fabric Boards	Top Cap Hung Marker Board
				

Page **LIGHTING**

162-175	Copeland Standard	Copeland Compact	Halley Compact	Halley Desk	Halley Floor	Bella
						

Tolomeo Standard	Tolomeo Mini	Tolomeo VDT	Tolomeo Micro	Big Dipper	Little Dipper
					

Desktop Lamp



Page **ELECTRICAL**

176-177	Cable Manager
	



An Overview

In the first part of the Price List you'll find a full range of desktop accessories, including the Smokador and the International Collection of boardroom accessories.

The second part features Orchestra Universal System Accessories, a complete scope of paper management accessories perfect for panel-mounted or freestanding application.

Part three offers a broad range of systems support products, including computer accessories, storage drawers, communications boards, and lighting.

Can't find it? Consult the Table of Contents on page 1, the Alpha-numeric Index on page 177, or the Product Index on page 180.

Product Information on Each Page

The 2004 KnollExtra Price List was designed to provide you with everything you need to know in order to understand, specify, and care for KnollExtra products. On each page, the following features will assist you:

Description/Construction explains salient features, capabilities, materials, and country of origin.

Dimensions provide the overall space the product will require. Statistics are based on the maximum width, depth and height of the product.

Weight is based on the product itself. It does not include packaging or complementary items such as pens, memo paper or calendars.

Order Code/Ordering Information outlines exactly how to specify KnollExtra product and the full scope of finish options. The Order Code provides an example of how one pattern number is specified.


KnollNow highlights the product and finishes available in the Knoll 5-Day KnollNow program.

Custom Options reviews availability of special sizes, finishes etc.

For More Information

For more information, contact your KnollExtra sales representative, telephone Customer Service at 1-800-343-5665, or visit one of the Knoll showrooms listed on the last page of this book.

KnollNow

This price list includes products offered in the KnollNow  program.

To obtain pricing and place a KnollNow order, contact your Knoll dealer. For the Knoll dealer nearest you, visit knoll.com.

All KnollNow orders are manufactured by the fifth business day after receipt of the order from a Knoll dealer. Shipping and delivery time may vary depending upon the "ship to" location. Also keep in mind:

- No changes or cancellations are permitted.
- Knoll Now products are available only in the continental United States and Canada.

Order quantities of certain items may be limited and are subject to fabric availability. For more information, contact Knoll Customer Resources at 215-679-7991 or 1-800-343-5665.

A Word About Finishes

KnollExtra finishes are designed to complement a broad range of interiors and office products.

Key KnollExtra finishes coordinate with specific Knoll systems finishes:

<i>Product</i>	<i>Core Finish</i>	<i>Office System Finishes</i>
Orchestra Load bar / Slatboard	Medium grey (115)	Medium grey (115)
	Soft grey (117)	Soft grey (117)
	Black (111)	Black (111)
	Beige Mist (611)	Beige Mist (611)

Order Placement

You may place your order with a KnollExtra sales representative or dealer, or send it directly to the Knoll Order Services Center. Order entry hours are Monday through Friday, 8 am to 5 pm, EST.

Knoll Order Services
1235 Water Street
East Greenville, PA 18041

Tel 800 343-5665
Fax 215 679-1788

To expedite delivery, please fax your order. Verbal orders cannot be accepted. There is no minimum order quantity.

KnollNow Center

Knoll KnollNow Center hours are Monday through Friday 8 am to 5 pm, EST.

Knoll KnollNow Center
1235 Water Street
East Greenville, PA 18041

Tel 800 595-7471
Fax 800 595-7472

Customer Service

KnollExtra Customer Service hours are Monday through Friday, 8 am to 5 pm, EST.

KnollExtra Customer Service
1235 Water Street
East Greenville, PA 18041

Tel 800 343-5665
Fax 215 679-3907 or
215 679-7213

Packing and Freight*Prepaid Freight:*

Packing and freight within the forty-eight contiguous United States and Canada (excluding the Yukon, Northwest Territories, and Newfoundland) is prepaid, and included in the price of all KnollExtra charges.

Freight Charges:

For all orders to Alaska, Hawaii, Puerto Rico, Mexico, the Yukon, Northwest Territories, and Newfoundland, actual shipping charges are added to the invoice.

Special Delivery and/or Packing:

Incremental charges to apply. Contact Customer Service for rates.

Ship-Complete Orders

Orders that must ship complete are to be so stated on the purchase order. Products with different lead times, combined on one order, can be acknowledged for shipment based on the longest of those lead times. Orders not marked "ship complete" will be released according to the confirmation, and invoiced in increments.

Sales Tax

Customer is required to pay applicable sales taxes unless Customer Services has been provided with an exemption certificate from the "ship to" state or province.

Payment Terms

Net 30 days from date of invoice. All orders subject to credit approval prior to shipment.

Changes to Pricing, Product, Specification, Packing, Handling & Shipping Schedule

This price list is effective May 16, 2005. All pricing is in U.S. dollars. KnollExtra reserves the right to implement price/schedule changes, modifications in design and construction and to discontinue existing products without prior notification.

Returns

Returns require prior plant approval through KnollExtra Customer Services, and Knoll's Returned Goods Authorization Form attached to each package as a packing list. Returns must be shipped prepaid, unused and packaged in original carton to be considered for credit or replacement. A restocking charge of 25% on KnollNow items and 50% on standard lead time items will be applied to all returns. Credit will be issued only after receipt and inspection of the accessory(ies) in question. If product is returned by a carrier other than that specified by KnollExtra, the customer will be billed for the full freight charges. No credit will be issued nor returns allowed 30 days or more after shipment.

Cancellations

Orders are subject to a cancellation charge once the manufacturing process has begun. All sales are final on custom product and Spinneybeck leather items.

Warranty

KnollExtra offers a limited warranty on all products in this price list:

Five years:

Adjustable Keyboard Supports, VDT Carousel, Monitor Platform, Flat Panel Monitor Arms, Equipment Storage Drawers, and all Universal Storage Drawers.

Two years:

All other KnollExtra product, including the Smokador, International, Orchestra, and Surf Collections; palm rests; foot rests; VDT sleeve; communications boards; and lighting.

Complete Selling Policy

For full ordering information, please consult the Knoll Selling Policy on page 182.

Manufacturer	System	Bracket Suffix
Knoll	Equity	E(Y)*
	<i>(stanchion-mounted)</i> Equity	ES
	Morrison	M
	<i>(stanchion-mounted)</i> Morrison Network	N
	Reff	R
	Dividends	DV
	<i>(stanchion-mounted)</i> Dividends	DS
	Calibre	CE
	Currents	C
	<i>(stanchion-mounted)</i> Currents	CS

*EY for orchestra brackets. If your system is not listed, please consult your KnollExtra representative or Customer Service at 1-800-343-5665.

For system and bracket information on the manufacturer's listed below or any other manufacturer, please consult your KnollExtra representative or Customer Service at 1-800-343-5665.

All-Steel	Herman Miller
American Seating	Kimball
Gunlocke	Smed
Hon	Steelcase
Haworth	Teknion

Maintenance

While KnollExtra relies on highly durable materials in each product line, regular basic maintenance will ensure the longevity of your product. Most stains, marks, and discolorations can be removed by following the simple instructions outlined on this page.

Plastic

Windex and a dry cloth.

SofStone

Early removal of a stain makes SofStone care much easier. This is especially true of coated areas which are frequently handled. If oil smudges are allowed to build up, they can soften the suede coating, and become very difficult to remove. Most dirt and smudges can be removed by the following methods:

1. *Greasy stains* (crayon, oil, lipstick, etc.): remove grease and wax stains with a naphtha-dampened lint-free cloth. Change the cloth frequently to remove as much grease as possible without spreading the stain.
2. *Non-greasy stains* (dirt, coffee, mustard, catsup, etc.): dirt and smudge areas can generally be removed by using a sponge or soft bristle brush with Liquid Ajax, Mr. Clean, Lestoil, or 3M brand carpet spot remover and upholstery cleaner. Follow the instructions on the label, and rinse thoroughly with clear water and a lint-free cloth.
3. *Combination stains* (chocolate, ice cream, gravy, soup, etc.): combination stains are caused by materials that contain both greasy and non-greasy substances. First use the procedures for non-greasy stains as stated above. Then, rinse thoroughly with clear water and thoroughly dry with a lint-free cloth. If greasy stain persists, follow the procedure for greasy stains as stated above. Repeat as necessary.

Stainless Steel:

Windex and a dry cloth.

Antique Brass, Brushed Zinc and Black Oxide:

A damp cloth with no cleaning agents.

Satin Brass:

Pledge.

Linoleum:

Windex and a dry cloth.

Contemporary and Traditional Standard Leathers:

Mild soap and water on a soft cloth.

Spinneybeck Leathers:

As a result of the high quality aniline dye process, most scratches or minor stains can be removed simply by gently rubbing them with your fingers. The body's natural oils revitalize the leather. For stubborn stains, use mild soap and water. Take care to wash the surface evenly since soaps may slightly alter the leather's tonality.

Surf Collection:

Wipe nylon skin using warm water and mild detergent. Do not use abrasives.

Office Automation

Accessories/Storage Drawers:

Clean with a soft cloth and Windex, Fantastik, Endust or other non-abrasive household cleaners. Remove stubborn stains with SofScrub.

For Surf Board and VDT Sleeve soft touch paints, never use abrasives. Clean with lukewarm water and a soft cloth.

Marker Boards:

For day-to-day use, surface requires only a dry cleaning with a standard felt eraser or dry cloth. For best results, keep marker board and marker pens at room temperature. KnollExtra suggests Alliance Rite-On Wipe-Off marker pens which are designed for use on marker boards. All marker pens should be tightly capped and stored horizontally when not in use. If Expo brand markers are used, use the manufacturer's recommended cleaning solution, Expo Dry Erase Cleaner.

Follow the instructions below as a periodic maintenance program, or to remove stubborn stains:

1. Clean with EV-1 or any liquid ammonia-added cleaner and rinse with clean water, then dry. For best results, wash board like a window with sponge and squeegee.
2. Interim cleaning may be done by sprinkling a dry powdered cleanser on an eraser and applying to the board in a circular motion. Rinse with clean water, then dry.

3. To remove crayon, scotch tape, or other stubborn materials, apply a mild solvent or paste made with scouring powder and water.

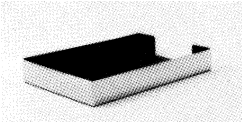
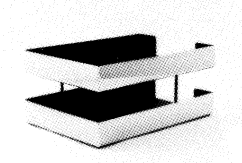
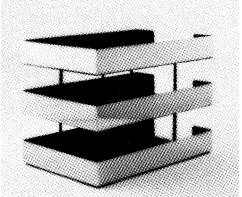
Fabric Boards:

Despite the durability of most panel textiles, fabric boards are subject to long-term soiling and wear. A regular maintenance program will significantly lessen soil and dirt build up or staining on your fabric boards. Cleaning is particularly important in areas adjacent to air conditioning or ventilation systems.

Remember to consult the care instructions provided by the fabric manufacturer. The general recommendations below should apply to most fabric boards.

1. Avoid excessive heat or moisture which can affect finishes and adhesives. Never allow fabric panels to become wet inside the core. Room temperature should be maintained between 50 and 85 degrees; humidity should be maintained between 20 and 50%.
2. Avoid contact with sharp edges which could puncture the surface.
3. Do not handle fabric boards more than necessary. Avoid bending or flexing the panels; this could break the bond between the surface and core materials.
4. Grease or oil should be wiped off immediately upon contact. Remove excess grease or oil by blotting. Use hot water and mild soap to remove any remaining residue.
5. Whenever possible, clean only with warm water and mild soap. Use caution when applying cleaning agents, particularly those that contain alcohol, strong alkalis, or solvents. These ingredients may react to the vinyl backing or adhesives used in the fabric boards. Always test cleaning agents on fabric from the rear of the panel before using on the front.
6. Care should be taken in using strong room cleaners or pesticides. Their fumes may contain agents which lead to the loosening of the fabric board glue bond.

The Smokador™ Collection
Exec Rectilinear
 letter trays

product	description	w	d	h	wgt.
Single Letter Tray 	Legal size. Matte black interior with black linoleum floor pad. Recessed rubber feet and black felt bottom prevent scuffing.	10"	15"	2 1/4"	4 lbs. 5 ozs.
Double Letter Tray 	Legal size. Matte black interiors with black linoleum floor pads and matte black posts. 2 1/2" between trays. Recessed rubber feet and black felt bottom prevent scuffing. Shipped fully assembled.	10"	15"	6 1/2"	9 lbs. 2 ozs.
Triple Letter Tray 	Legal size. Matte black interiors with black linoleum floor pads and matte black posts. 2 1/2" between trays. Recessed rubber feet and black felt bottom prevent scuffing. Shipped fully assembled.	10"	15"	11 1/2"	13 lbs. 2 ozs.

Order Code

Example: 1901-BO	
1901	Single letter tray
BO	Black oxide

Ordering Information

- Specify:*
1. Pattern number
 2. Finish
 3. Pattern suffix (Pen Set only)

Metal finishes:
 Black Oxide (BO) →
 Brushed Zinc (BZ)
 Brushed Steel (BS)

KnollNow: →
 Denoted finishes available in the KnollNow Program. Maximum order quantity of 25 units per line item.

Custom Options

Special sized letter and memo trays available. 100 piece minimum per line item.

Custom finishes available upon sample chip approval. 25 piece minimum per line item. Production set up fee varies by product. Contact your KnollExtra representative or Customer Service for complete pricing information.


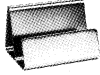
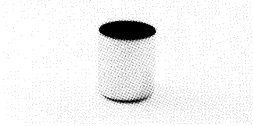

pattern no.	black oxide	brushed steel and brushed zinc
1901 →	\$158.	\$199.
1901-2 →	356.	439.
1901-3	541.	666.

Construction

Brushed zinc is zinc-plated brushed steel with a semi-gloss lacquer finish. Brushed steel is brushed steel with a lacquer finish. The black oxide finish is a matte black hand-applied coating over steel.

Manufactured in the United States.

The Smokador™ Collection
Exec Rectilinear
desk accessories

product	description	w	d	h	wgt.
Memo Box	Matte black interior. Includes 4" x 6" memo paper. Non-skid rubber pad on bottom.	4 1/4"	6 1/4"	3/8"	1 lb. 4 ozs.
					
Business Card Holder	Felt base. Available in black oxide only.	3 1/2"	2"	2"	6 ozs.
					
Round Pencil Cup	Matte black interior. Non-skid rubber pad on bottom.	3 1/8"		3 1/2"	9 ozs.
					
Round Clip Cup	Matte black interior. Non-skid rubber pad on bottom.	3"		2"	8 ozs.
					

Order Code

Example: 1905-BZ	
1905	Memo box
BZ	Brushed zinc

Ordering Information

Specify:
 1. Pattern number
 2. Finish

Metal finishes:
 Black Oxide (BO) →
 Brushed Zinc (BZ)
 Brushed Steel (BS)

KnollNow: →
 Denoted finishes available in the KnollNow Program. Maximum order quantity of 25 units per line item.

Custom Options

Special sized letter and memo trays available. 100 piece minimum per line item.

Custom finishes available upon sample chip approval. 25 piece minimum per line item. Production set up fee varies by product. Contact your KnollExtra representative or Customer Service for complete pricing information.

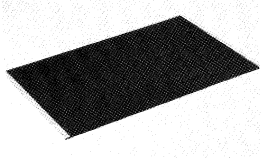
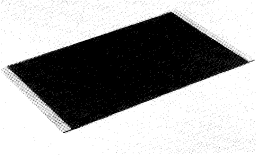
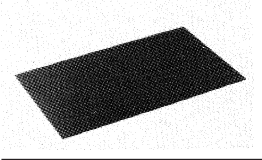
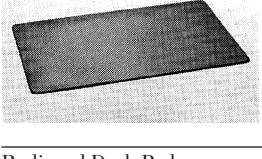
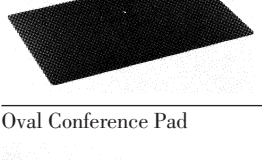

pattern no.	black oxide	brushed steel and brushed zinc
1905 →	\$97.	\$103.
1906 →	70.	
1915 →	76.	81.
1916	89.	97.

Construction

Satin brass is genuine material which is satinized, then lacquered. Brushed zinc is zinc-plated brushed steel with a semi-gloss lacquer finish. Brushed steel is brushed steel with a lacquer finish. The black oxide finish is a matte black hand-applied coating over steel.

Scissors and letter opener are manufactured in Italy. All other items are manufactured in the United States.

The Smokador™ Collection
Exec Rectilinear
desk pads

product	description	w	d	wgt.
Desk Pad: 3/4" Side Panels 	Black linoleum with felt back. 3/4" wide flush rectilinear side panels in specified finish.	34"	20"	5 lbs.
		38"	24"	7 lbs. 12 ozs.
Desk Pad: 1 1/2" Side Panels 	Black linoleum with felt back. 1 1/2" wide raised rectilinear side panels in specified finish.	34"	20"	5 lbs.
		38"	24"	7 lbs. 12 ozs.
Rectilinear Desk Pad 	Black linoleum with felt back. Rectilinear edge detail. No side panels.	34"	20"	4 lbs.
		38"	24"	5 lbs.
Conference Pad 	Black linoleum with felt back. Rectilinear edge detail.	18"	12"	1 lb. 6 ozs.
Radiused Desk Pad 	Black linoleum with felt back. Radiused edge detail. No side panels.	23"	17"	3 lbs. 8 ozs.
		30"	18"	3 lbs. 12 ozs.
		34"	20"	4 lbs.
		38"	24"	5 lbs.
Oval Conference Pad 	Black linoleum with felt back.	18"	12"	1 lbs. 4 ozs.

Order Code

Example: 1912-31-BZ
1912-31 Desk pad with 3/4" side panels
BZ Brushed Zinc

Ordering Information

Specify:
 1. Pattern number
 2. Finish (when applicable)

Metal finishes:
 Black Oxide (BO) →
 Brushed Zinc (BZ)
 Brushed Steel (BS)

Custom Options

KnollNow: →
 Denoted finishes available in the KnollNow Program. Maximum order quantity of 25 units per line item.

Additional linoleum colors available. Special sizes available up to 34"W x 28"D. 50 piece minimum on all custom desk pads. Contact your KnollExtra representative or Customer Service for complete pricing information.

pattern no.	black linoleum	black oxide	brushed steel and brushed zinc
1912-31		\$206.	
1912-41		218.	
1912-32 →		218.	240.
1912-42 →		227.	
1912-30 →	89.		
1912-40	103.		
1912-20	49.		
012-1	63.		
012-2	80.		
012-3	89.		
012-4	103.		
512-20	49.		

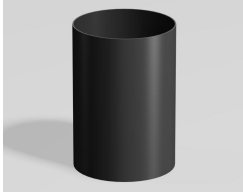
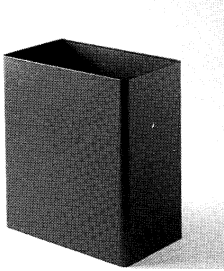
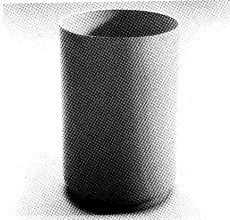
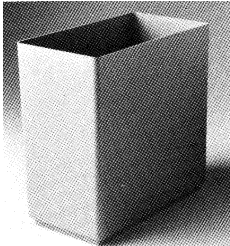
Construction

Desk accessories:

Satin brass is genuine material which is satinized, then lacquered. Brushed zinc is zinc-plated brushed steel with a semi-gloss lacquer finish. Brushed steel is brushed steel with a lacquer finish. The black oxide finish is a matte black hand-applied coating over steel.

All items are manufactured in the United States.

The Smokador™ Collection
Exec Rectilinear
waste baskets

product	description	w	d	h	wt.
Round Wastebasket 	Black oxide exterior with matte black interior. Non-toxic. 15 qt. capacity.	10"		14 3/4"	5 lbs.
Rectilinear Wastebasket 	Black oxide exterior with matte black interior. Non-toxic. 24 qt. capacity.	8"	13"	13 1/2"	7 lbs.
Round Plastic Wastebasket 	15 qt. capacity.	10"		13 3/4"	4 lbs.
Rectilinear Plastic Wastebasket 	24 qt. capacity.	8 3/8"	15"	13 3/4"	5 lbs.

Order Code

Example: 050-BO	
050	Round wastebasket
BO	Black Oxide

Ordering Information

Specify:
 1. Pattern number
 2. Finish(when applicable)
Round wastebasket Metal finishes:
 Black Oxide (BO) ➔
Standard plastic finishes:
 Black (BK)

KnollNow: ➔
 Denoted finishes available in the KnollNow Program. Maximum order quantity of 25 units per line item.

Custom Options

Custom finishes available upon sample chip approval. 750 piece minimum on plated finishes; 100 piece minimum on painted finishes. Production set up fee varies by finish. Contact your KnollExtra representative or Customer Service for complete pricing information.

pattern no.	standard plastic	black oxide
050 →		\$103.
055-BO →		179.
250 →	53.	
255 →	63.	

Construction

Plastic Wastebaskets:
 Custom colors available upon sample chip approval. \$250 color match fee and 500 piece minimum per line item. Contact your KnollExtra representative or Customer Service for complete pricing information.

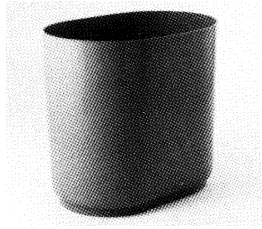
Metal Wastebaskets:
 The black oxide finish is a matte black hand-applied coating over steel.

Plastic Wastebaskets:
Round- High impact polystyrene.
Rectilinear and oval- High impact crystal styrene.

All items are manufactured in the United States.

The Smokador™ Collection
Exec Rectilinear
waste baskets

product	description	w	d	h	wgt.
Oval Plastic Wastebasket	26 qt. capacity.	10"	15 1/2"	13 3/4"	6 lbs.



Order Code

Example: 050-BO	
050	Round wastebasket
BO	Black Oxide

Ordering Information

Specify:

1. Pattern number
2. Finish(when applicable)

Round wastebasket Metal finishes:
 Black Oxide (BO) ➔

Standard plastic finishes:
 Black (BK)

KnollNow: ➔
 Denoted finishes available in the KnollNow Program. Maximum order quantity of 25 units per line item.

Custom Options

Custom finishes available upon sample chip approval. 750 piece minimum on plated finishes; 100 piece minimum on painted finishes. Production set up fee varies by finish. Contact your KnollExtra representative or Customer Service for complete pricing information.

pattern no.	standard plastic	black oxide
256	\$72.	

Construction

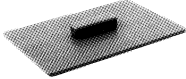

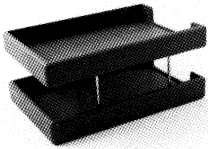
Plastic Wastebaskets:
 Custom colors available upon sample chip approval. \$250 color match fee and 500 piece minimum per line item. Contact your KnollExtra representative or Customer Service for complete pricing information.

Metal Wastebaskets:
 The black oxide finish is a matte black hand-applied coating over steel.

 Plastic Wastebaskets:
Round- High impact polystyrene.
Rectilinear and oval- High impact crystal styrene.

All items are manufactured in the United States.

The Smokador™ Collection
Contemporary Leather
letter trays

product	description	type	w	d	h	wt.
Letter Tray Cover	Legal size. Suede bottom.		10 1/2"	14 1/2"		2 lbs.
						
Single Letter Tray	Legal size. Suede bottom.		11 1/4"	15 1/4"	2"	3 lbs.
						
Double Letter Tray	Legal size. Suede bottom. Non-scuffing recessed rubber feet. Chrome posts on standard black leather. Specify chrome or brass posts on all other leather selections. Shipped fully assembled.		11 1/4"	15 1/4"	6 1/2"	6 lbs.
						

Order Code

Example: 3301-2-VP-MB-VP556
3301-2 Double letter tray
VP Velluto Pelle
MB Mirror brass posts
VP556 Sage

Ordering Information

Specify:

1. Pattern number
2. Leather selection
3. Hardware selection (Double Letter Tray only)

Standard leathers:
 Black (BK) →
 Burgundy (BG)
 Camel (CA)

Spinneybeck leathers:
 Velluto Pelle (VP)
 Sabrina (SA)

Custom Options

More than 100 rich colors are available in Sabrina and Velluto Pelle. To view the complete color selection, please contact your KnollExtra representative or Spinneybeck.

Please note that 10 or more units are required on all Spinneybeck orders.

Double letter tray hardware:
 Mirror Chrome (MC) →
 Mirror Brass (MB)

KnollNow: →
 Denoted finishes available in the KnollNow Program. Maximum order quantity of 25 units per line item.

Customer's own leather (COL) available upon approval of sample. 10 unit minimum on all specials. Upcharges based on number of cowhides required for production. Contact your KnollExtra representative or Customer Service for complete pricing information.

pattern no.	standard leather	Velluto Pelle	Sabrina
3333	\$206.	\$266.	\$293.
3301 →	288.	370.	418.
3301-2 →	628.	775.	841.

Construction

Standard leathers:

Standard leathers are only top grain cowhide with a matte finish. Natural markings as well as subtle variations in color will appear in the leather. These are unmistakable hallmarks of top grain leather.

Standard leathers resist fading and repel both moisture and stains. Because this leather is fire-resistant; it emits no toxic fumes when exposed to high temperatures.

Spinneybeck Sabrina (SA):



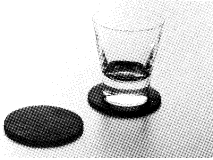
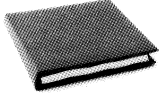
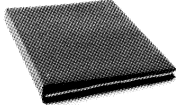
A durable, immersion aniline-dyed, full grain kip leather which has received a protective surface finish. The superbly soft hand is achieved by its fine quality and light weight.

Spinneybeck Velluto Pelle (VP):

An Italian immersion aniline-dyed, cowhide leather which retains its full natural grain. It is shielded by an impregnated, breathable finish which is an integral part of the surface.

Manufactured in the United States, using domestic and Spinneybeck Italian leathers.

The Smokador™ Collection
Contemporary Leather
desk accessories

product	description	type	w	d	h	wt.
Memo Box	Includes 4" x 6" memo paper. Suede bottom.		5 1/4"	7 1/4"	3/4"	1 lb.
						
Pencil Cup	Suede bottom.		3 1/4"	3 1/4"	3 3/8"	1 lb.
						
Coasters	Set of four. Circular leather or black linoleum. Felt bottom.	Leather Linoleum		3 1/4" 3 1/4"		4 ozs. (set) 4 ozs. (set)
						
Appointment Book	Includes 7" x 8 1/2" Keith Clark "Weekly-Minder."		8 1/4"	9 1/4"		3 lbs.
						
Note Pad Holder	Includes a 8 1/2" x 11" ruled white pad.		8 7/8"	13 1/4"		3 lbs.
						

Order Code

Example: 3343-BK	
3343	Appointment Book
BK	Black

Ordering Information

Specify:
 1. Pattern number
 2. Leather selection

Standard leathers:
 Black (BK) →
 Burgundy (BG)
 Camel (CA)

Spinneybeck leathers:
 Velluto Pelle (VP)
 Sabrina (SA)

More than 100 rich colors are available in Sabrina and Velluto Pelle. To view the complete color selection, please contact your KnollExtra representative or Spinneybeck.

Please note that 10 or more units are required on all Spinneybeck orders.

KnollNow: →
 Denoted finishes available in the KnollNow Program. Maximum order quantity of 25 units per line item.

pattern no.	linoleum	standard leather	Velluto Pelle	Sabrina
3305 →		\$199.	\$240.	\$266.
3315 →		172.	227.	254.
3319-4		62.	89.	118.
3319-4-LN	27.			
3343		240.	302.	336.
3345		240.	302.	336.

Custom Options

Customer's own leather (COL) available upon approval of sample. 10 unit minimum on all specials. Upcharges based on number of cowhides required for production. Contact your KnollExtra representative or Customer Service for complete pricing information.

Construction

Standard leathers:
Standard leathers are only top grain cowhide with a matte finish. Natural markings as well as subtle variations in color will appear in the leather. These are unmistakable hallmarks of top grain leather.


Standard leathers resist fading and repel both moisture and stains. Because this leather is fire-resistant; it emits no toxic fumes when exposed to high temperatures.


Spinneybeck Sabrina (SA):
A durable, immersion aniline-dyed, full grain kip leather which has received a protective surface finish. The superbly soft hand is achieved by its fine quality and light weight.

Spinneybeck Velluto Pelle (VP):
An Italian immersion aniline-dyed, cowhide leather which retains its full natural grain. It is shielded by an impregnated, breathable finish which is an integral part of the surface.

Manufactured in the United States, using domestic and Spinneybeck Italian leathers.

The Smokador™ Collection
Contemporary Leather
desk accessories

product	description	type	w	d	h	wgt.
Picture Frame 	Sized for 4" x 6" photographs or 5" x 7" photographs. Easel-style stand. Frame is available in Spinneybeck leathers as a special only.		5 3/4"	3/4"	7 3/4"	1 lb.
	Sized for 4" x 6" photographs or 5" x 7" photographs. Easel-style stand. Frame is available in Spinneybeck leathers as a special only.		6 3/4"	3/4"	8 3/4"	1 lb.

Book Ends 	Suede interior facing. Suede under black steel bottom plate.		5"	6"	5"	3 lbs. 8 ozs.
--	--	--	----	----	----	---------------

Order Code

Example:	3343-BK
3343	Appointment Book
BK	Black

Ordering Information

Specify:

1. Pattern number
2. Leather selection

Standard leathers:

Black (BK) →
 Burgundy (BG)
 Camel (CA)

Spinneybeck leathers:

Velluto Pelle (VP)
 Sabrina (SA)

More than 100 rich colors are available in Sabrina and Velluto Pelle. To view the complete color selection, please contact your KnollExtra representative or Spinneybeck.

Please note that 10 or more units are required on all Spinneybeck orders.

KnollNow: →

Denoted finishes available in the KnollNow Program. Maximum order quantity of 25 units per line item.

pattern no.	linoleum	standard leather	Velluto Pelle	Sabrina
3370 (4" x 6")		\$184.		
3371 (5" x 7")		194.		
3304		329.	383.	424.

Custom Options

Customer's own leather (COL) available upon approval of sample. 10 unit minimum on all specials. Upcharges based on number of cowhides required for production. Contact your KnollExtra representative or Customer Service for complete pricing information.

Construction

Standard leathers:
Standard leathers are only top grain cowhide with a matte finish. Natural markings as well as subtle variations in color will appear in the leather. These are unmistakable hallmarks of top grain leather.


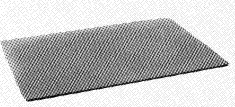
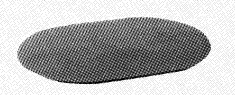
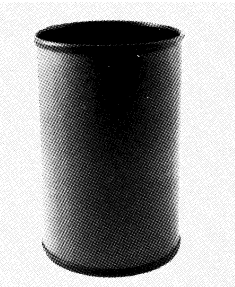
Standard leathers resist fading and repel both moisture and stains. Because this leather is fire-resistant; it emits no toxic fumes when exposed to high temperatures.

Spinneybeck Sabrina (SA):
A durable, immersion aniline-dyed, full grain kip leather which has received a protective surface finish. The superbly soft hand is achieved by its fine quality and light weight.

Spinneybeck Velluto Pelle (VP):
An Italian immersion aniline-dyed, cowhide leather which retains its full natural grain. It is shielded by an impregnated, breathable finish which is an integral part of the surface.

Manufactured in the United States, using domestic and Spinneybeck Italian leathers.

The Smokador™ Collection
*Contemporary Leather
 deskpad and wastebaskets*

product	description	type	w	d	wgt.
Desk Pad: 4" Side Panels 	Black linoleum with black felt back. 4" wide raised side panels in specified leather.	Desk Pad: 4" Side Panels	34"	20"	6 lbs.
		Desk Pad: 4" Side Panels	38"	24"	7 lbs.12 ozs.
Rectilinear Conference Pad 	Leather or black linoleum. Black felt back.	Leather	18"	12"	3 lbs. 6 ozs.
		Linoleum	18"	12"	1 lb. 6 ozs.
Oval Conference Pad 	Leather or black linoleum. Black felt back.	Leather	18"	12"	2 lbs. 9 ozs.
		Linoleum	18"	12"	1 lb. 4 ozs.
Round Wastebasket 	Black interior. Steel covered with leather.	Round Wastebasket	10"	14 3/4"	6 lbs.

Order Code

Example:	3312-4-BK
3312-4	38" x 24" desk pad
BK	Black

Ordering Information

Specify:
 1. Pattern number
 2. Leather selection

Standard leathers:
 Black (BK) →
 Burgundy (BG)
 Camel (CA)

Spinneybeck leathers:
 Velluto Pelle (VP)
 Sabrina (SA)

More than 100 rich colors are available in Sabrina and Velluto Pelle. To view the complete color selection, please contact your KnollExtra representative or Spinneybeck.

Please note that 10 or more units are required on all Spinneybeck orders.

KnollNow: →
 Denoted finishes available in the KnollNow Program. Maximum order quantity of 25 units per line item.

Custom Options

Custom sized leather conference pads available in sizes up to 38"W x 24"D (rectangular) and 18"W x 12"D (oval). Customer's own leather (COL) available upon approval of sample. 10 unit minimum on all specials. Upcharges based on number of cowhides required for production. Contact your KnollExtra representative or Customer Service for complete pricing information.

pattern no.	black linoleum	standard leather	Velluto Pelle	Sabrina
3312-3 →		\$213.	\$293.	\$329.
3312-4 →		240.	321.	356.
3313 →		206.	245.	275.
1912-20	49.			
3314 →		206.	245.	275.
512-20	49.			
3350 →		240.	315.	363.

Construction

Standard leathers:

Standard leathers are only top grain cowhide with a matte finish. Natural markings as well as subtle variations in color will appear in the leather. These are unmistakable hallmarks of top grain leather.

Standard leathers resist fading and repel both moisture and stains. Because this leather is fire-resistant; it emits no toxic fumes when exposed to high temperatures.

Spinneybeck Sabrina (SA):

A durable, immersion aniline-dyed, full grain kip leather which has received a protective surface finish. The superbly soft hand is achieved by its fine quality and light weight.

Spinneybeck Velluto Pelle (VP):

An Italian immersion aniline-dyed, cowhide leather which retains its full natural grain. It is shielded by an impregnated, breathable finish which is an integral part of the surface.

Manufactured in the United States, using domestic and Spinneybeck Italian leathers.

The Smokador™ Collection
Traditional Leather
desk accessories

product	description	type	w	d	h	wt.
Letter Tray Cover 	Legal size. Suede bottom. Leather wrapped handle and cover.		9 ⁵ / ₈ "	14"		2 lbs.
Single Letter Tray 	Legal size. Suede bottom.		10 ¹ / ₂ "	15"	2 ¹ / ₂ "	2 lbs.
Book Ends 	2 per set. Suede bottoms.		4"	4 ⁵ / ₈ "	6 ¹ / ₂ "	6 lbs.
Memo Box 	Includes 5" x 8" memo paper. Suede bottom.		6"	9"	1 ¹ / ₄ "	1 lb. 8 oz.
Pencil Cup 	Leather wrapped. Suede bottom.		3"	3 ¹ / ₂ "	4"	1 lb.

Order Code

Example: 3601-BK	
3601	Single letter tray
BK	Black

Ordering Information

Specify:

1. Pattern number
2. Leather selection
3. Hardware selection (Calendar set)

Standard leathers:

Black (BK)
 Burgundy (BG)
 Myrtle (MR)

Spinneybeck leathers:

Velluto Pelle (VP)
 Sabrina (SA)

More than 100 rich colors are available in Sabrina and Velluto Pelle. To view the complete color selection, please contact your KnollExtra representative or Spinneybeck.

Please note that 10 or more units are required on all Spinneybeck orders.

Custom Options

Customer's own leather (COL) available upon approval of sample. 10 unit minimum on all specials. Upcharges based on number of cowhides required for production. Contact your KnollExtra representative or Customer Service for complete pricing information.

pattern no.	standard leather	Velluto Pelle	Sabrina
3633	\$227.	\$293.	\$308.
3601	321.	431.	472.
3604	391.	445.	472.
3605	227.	288.	315.
3615	185.	218.	245.

Construction

Standard leathers:

Standard leathers are only top grain cowhide with a matte finish. Natural markings as well as subtle variations in color will appear in the leather. These are unmistakable hallmarks of top grain leather.

Standard leathers resist fading and repel both moisture and stains. Because this leather is fire-resistant; it emits no toxic fumes when exposed to high temperatures.

Spinneybeck Sabrina (SA):

A durable, immersion aniline-dyed, full grain kip leather which has received a protective surface finish. The superbly soft hand is achieved by its fine quality and light weight.

Spinneybeck Velluto Pelle (VP):

An Italian immersion aniline-dyed, cowhide leather which retains its full natural grain. It is shielded by an impregnated, breathable finish which is an integral part of the surface.

Manufactured in the United States, using domestic and Spinneybeck Italian leathers.

The Smokador™ Collection
Traditional Leather
desk accessories

product	description	type	w	d	h	wt.
Appointment Book	Includes a 7" x 8 3/4" Keith Clark "Weekly- Minder."		8 3/4"	9 1/4"		2 lbs.



Note Pad Holder	Includes a 8 1/2" x 11" ruled white pad.		8 3/4"	13 1/8"		2 lbs. 8 ozs.
-----------------	--	--	--------	---------	--	---------------



Order Code

Example: 3601-BK	
3601	Single letter tray
BK	Black

Ordering Information

Specify:

1. Pattern number
2. Leather selection
3. Hardware selection (Calendar set)

Standard leathers:

Black (BK)
 Burgundy (BG)
 Myrtle (MR)

Spinneybeck leathers:

Velluto Pelle (VP)
 Sabrina (SA)

More than 100 rich colors are available in Sabrina and Velluto Pelle. To view the complete color selection, please contact your KnollExtra representative or Spinneybeck.

Please note that 10 or more units are required on all Spinneybeck orders.

Custom Options

Customer's own leather (COL) available upon approval of sample. 10 unit minimum on all specials. Upcharges based on number of cowhides required for production. Contact your KnollExtra representative or Customer Service for complete pricing information.

pattern no.	standard leather	Velluto Pelle	Sabrina
3643	\$288.	\$348.	\$375.
3645	288.	348.	375.

Construction

Standard leathers:

Standard leathers are only top grain cowhide with a matte finish. Natural markings as well as subtle variations in color will appear in the leather. These are unmistakable hallmarks of top grain leather.

Standard leathers resist fading and repel both moisture and stains. Because this leather is fire-resistant; it emits no toxic fumes when exposed to high temperatures.

Spinneybeck Sabrina (SA):


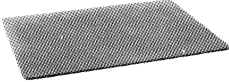

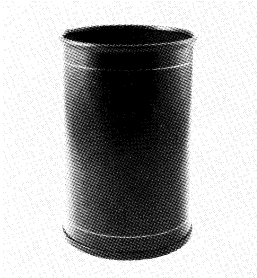
A durable, immersion aniline-dyed, full grain kip leather which has received a protective surface finish. The superbly soft hand is achieved by its fine quality and light weight.

Spinneybeck Velluto Pelle (VP):

An Italian immersion aniline-dyed, cowhide leather which retains its full natural grain. It is shielded by an impregnated, breathable finish which is an integral part of the surface.

Manufactured in the United States, using domestic and Spinneybeck Italian leathers.

The Smokador™ Collection
Traditional Leather
desk pads and wastebaskets

product	description	type	w	d	h	wt.
Desk Pad: 3 1/2" Side Panels 	Black linoleum with black felt back. 3 1/2" wide raised side panels.		34"	20"		6 lbs.
			38"	24"		7 lbs. 6 ozs.
Rectilinear Conference Pad 	Leather or black linoleum. Black felt back.	Leather	18"	12"		3 lbs. 6 ozs.
		Linoleum	18"	12"		1 lb. 6 ozs.
Oval Conference Pad 	Leather or black linoleum. Black felt back.	Leather	18"	12"		2 lbs. 9 ozs.
		Linoleum	18"	12"		1 lb. 4 ozs.
Round Wastebasket 	Black interior. Steel covered with leather.		10"		15"	6 lbs.

Order Code

Example:	3612-4-SA-764
3612-4	38 "x24 "Desk pad
SA	Sabrina
764	Clay

Ordering Information

Specify:
 1. Pattern number
 2. Leather selection

Standard leathers:
 Black (BK)
 Burgundy (BG)
 Myrtle (MR)

Spinneybeck leathers:
 Velluto Pelle (VP)
 Sabrina (SA)

More than 100 rich colors are available in Sabrina and Velluto Pelle. To view the complete color selection, please contact your KnollExtra representative or Spinneybeck.

Please note that 10 or more units are required on all Spinneybeck orders.

Custom Options

Custom sized leather conference pads available in sizes up to 38"W x 24"D (rectangular) and 18"W x 12"D (oval). Customer's own leather (COL) available upon approval of sample. 10 unit minimum on all specials. Upcharges based on number of cowhides required for production. Contact your KnollExtra representative or Customer Service for complete pricing information.

pattern no.	black linoleum	standard leather	Velluto Pelle	Sabrina
3612-3		\$233.	\$293.	\$329.
3612-4		261.	321.	356.
3613		213.	275.	288.
1912-20	49.			
3614		213.	275.	288.
512-20	49.			
3650		308.	375.	404.

Construction

Standard leathers:

Standard leathers are only top grain cowhide with a matte finish. Natural markings as well as subtle variations in color will appear in the leather. These are unmistakable hallmarks of top grain leather.

Standard leathers resist fading and repel both moisture and stains. Because this leather is fire-resistant; it emits no toxic fumes when exposed to high temperatures.

Spinneybeck Sabrina (SA):

A durable, immersion aniline-dyed, full grain kip leather which has received a protective surface finish. The superbly soft hand is achieved by its fine quality and light weight.

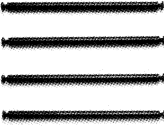

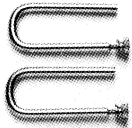
Spinneybeck Velluto Pelle (VP):

An Italian immersion aniline-dyed, cowhide leather which retains its full natural grain. It is shielded by an impregnated, breathable finish which is an integral part of the surface.

Manufactured in the United States, using domestic and Spinneybeck Italian leathers.

The Smokador™ Collection

Replacement Parts

product	description	d	h
	Metal Letter Tray Stacking Posts 4 per set, with screws. For use with the Contemporary Leather and Exec Rectilinear Collections. Available in mirror chrome, mirror brass, and matte black only.	1/4"	4 1/4"
	Letter Tray Stacking Post Threaded Rods 4 per set. For use with stacking posts for the Contemporary Leather and Exec Rectilinear Collections.		
	Metal Calendar Arches 2 per set with knurled nuts. For use with the Contemporary Leather and Traditional Leather. Available in mirror chrome and mirror brass.		

Order Code

Example:	001-214-MC
001-214	Metal letter tray stacking posts
MC	Mirror chrome

Ordering Information

- Specify:*
1. Pattern number
 2. Finish (except Threaded Rods)
- Metal calendar arch finishes:*
 Mirror Chrome (MC)
 Mirror Brass (MB)

- Metal letter tray post finishes:*
 Mirror Brass (MB)
 Matte Black (BK)
 Mirror Chrome (MC)


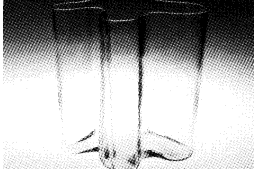

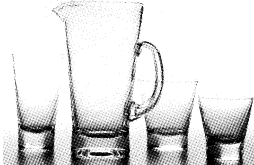
pattern no.	list price
001-214	\$27.

001-315	8.
----------------	-----------

009-12	18.
---------------	------------

International Collection

Glassware

product	description	type	h	wt.
Aalto Vase 	Designed by Alvar Aalto, 1933-36. Permanent collection of the New York Museum of Modern Art. Available in clear and opal.		3 3/4" 4 3/4" 6 1/4"	
Savoy Vase 	Designed by Alvar Aalto, 1936. Larger, less convoluted versions of the Aalto Vases. Exhibited at the 1937 World Exhibition in Paris. Clear crystal.		24" 8"	
Flower Vase 	Designed by Alvar Aalto. This vase is wider at top than the bottom, following the wavy style of the Aalto and Savoy vases. Available in clear only.		14 1/2"	
Aarne Glassware 	Designed by Goran Hongell, 1948.	11 1/2 oz. Double Old Fashioned 12 1/2 oz. Highball 3 pt. Pitcher 7 oz. Old Fashioned Pilsner		14 ozs. 14 ozs. 2 lbs. 8 ozs. 11 ozs.

Order Code

Example: **3030-120-OP**
3030-120 4 3/4" Aalto vase
OP Opal

Ordering Information

Specify:
 1. Pattern number
 2. Color (Aalto only)

Aalto Colors:
 Opal (OP)
 Clear (CL)

Ordering note:
 All crystal pieces are priced and shipped individually.

Custom Options

Additional barware sizes available. Contact your KnollExtra representative or Customer Service for selection and pricing information.

pattern no.	opal	clear
3030-095	\$150.	\$150.
3030-120	266.	266.
3030-160	363.	363.
3031-600		5,462.
3031-200		487.
3032-200		1,416.
2020-032		62.
2020-035		62.
2020-150		213.
2020-020		54.
2020-038		62.

Construction

Lead-free crystal.
Manufactured in Finland.






Design Award

Aalto Vase:
The International Tabletop Award,
1988.

Aarne Glassware:
The International Tabletop Award,
1989.

International Collection

Stainless Boardroom Accessories

product	description	type	w	d	h	wt.
Large Stainless Carafe 	Designed by Erik Magnussen, 1977. Delivered with automatic tilt close top and screw close top options. Glass vacuum liner for serving hot or cold liquids. Matte black plastic top and handle. Available in satin stainless or black oxide finish. 1 liter capacity.		4"		12"	2 lbs. 11 ozs.
Small Stainless Carafe 	Designed by Erik Magnussen, 1977. Delivered with automatic tilt close top and screw close top options. Glass vacuum liner for serving hot or cold liquids. Matte black plastic top and handle. Available in satin stainless or black oxide finish. 1/2 liter capacity.		4"		8 1/4"	1 lb. 11 ozs.
Stainless Creamer 	Designed by Erik Magnussen, 1977. Satin stainless. Matte black plastic top. 8 oz. capacity.		3 1/4"		3 3/4"	4 ozs.
Stainless Sugar Bowl 	Designed by Erik Magnussen, 1977. Satin stainless. Matte black plastic top. 10 oz. capacity.		4 1/4"		2 1/4"	5 ozs.
Serving Tray 	Designed by Erik Magnussen. Satin stainless with black rubber liner.				15" dia. x 3/4"	

Order Code

Example: **STL-900-ST**
STL-900 Large stainless carafe
ST Satin stainless

Ordering Information

Specify:
 1. Pattern number
 2. Finish (Carafe only)

Metal finishes:
 Satin Stainless (ST)
 Black Oxide (BO)

Custom Options

Additional stainless steel accessories available. Contact your KnollExtra representative or Customer Service for selection and pricing information.

pattern no.	black oxide	satin stainless	stainless
STL-900	\$404.	\$321.	
STL-915	348.	266.	
STL-1000		118.	
STL-1100		118.	
STL-2004		249.	

Boardroom Accessories

Construction

Solid, satinized stainless steel that has been lacquered for long-term finish protection. Textured, ABS plastic top and handle. Black oxide finish is painted over stainless steel.

Manufactured in Denmark.

International Collection

Stainless Boardroom Accessories

product	description	type	w	d	h	wt.
	Stainless Coffee Pot Cylinda-line, designed by Arne Jacobsen, 1967. 1 1/2 liter capacity.		4"		8"	1 lb. 9 ozs.
	Stainless Tea Pot Cylinda-line, designed by Arne Jacobsen, 1967. 1 1/4 liter capacity.		5"		4 1/4"	1 lb. 9 ozs.
	Stainless Creamer & Sugar Bowl Cylinda-line, designed by Arne Jacobsen, 1967. Includes sugar bowl, creamer, and sugar bowl lid. Spoon not included. Creamer is 2" x 3 3/4". Sugar Bowl is 3" x 2 1/4".	Creamer Sugar Bowl				
	Stainless Serving Tray with Handles Cylinda-line, designed by Arne Jacobsen, 1967. Round tray with straight wall lip and curved handles. Brushed stainless.		13 1/8"		1"	2 lbs.
	Stainless Ice Bucket Cylinda-line, designed by Arne Jacobsen, 1967. Available in 35 oz. and 85 oz. sizes.	Small: 35 oz. capacity	5 1/8"		4 1/8"	2 lbs.
	Stainless Ice Tongs		6 3/4"		1/2"	3 ozs.
	Stainless Coaster Set Cylinda-line, designed by Arne Jacobsen, 1967. Set of 6.		3 1/4"		1/4"	10 ozs. (each)

Order Code

Example: **STL-900-ST**
STL-900 Large stainless carafe
ST Satin stainless

Ordering Information

Specify:
 1. Pattern number
 2. Finish (Carafe only)

Metal finishes:
 Satin Stainless (ST)
 Black Oxide (BO)

Custom Options

Additional stainless steel accessories available. Contact your KnollExtra representative or Customer Service for selection and pricing information.

pattern no.	black oxide	satin stainless	stainless
STL-01-2			\$677.
STL-04-2			677.
STL-06-2			146.
STL-06-3			189.
STL-014-2			302.
STL-05-1			519.
STL-015-1			70.
STL-019-1			164.

Construction

Solid, satinized stainless steel that has been lacquered for long-term finish protection. Textured, ABS plastic top and handle. Black oxide finish is painted over stainless steel.

Manufactured in Denmark.

International Collection

Stainless Boardroom Accessories

product	description	type	w	d	h	wt.
Stainless Bottle Coaster	Cork insert.		5"		$\frac{5}{8}$ "	5 ozs.



Napkin Holder	Designed by Peter Holmblad Stainless Steel		$7\frac{15}{16}$ "	$7\frac{15}{16}$ "	$3\frac{3}{4}$ "	
---------------	--	--	--------------------	--------------------	------------------	--



Order Code

Example: **STL-900-ST**
STL-900 Large stainless carafe
ST Satin stainless

Ordering Information

Specify:
 1. Pattern number
 2. Finish (Carafe only)

Metal finishes:
 Satin Stainless (ST)
 Black Oxide (BO)

Custom Options

Additional stainless steel accessories available. Contact your KnollExtra representative or Customer Service for selection and pricing information.

pattern no.	black oxide	satin stainless	stainless
STL-685-13			\$81.
STL-486			147.




Construction

Solid, satinized stainless steel that has been lacquered for long-term finish protection. Textured, ABS plastic top and handle. Black oxide finish is painted over stainless steel.

Manufactured in Denmark.

International Collection

Plastic Boardroom Accessories

product	description	w	d	h	wt.
Large Plastic Carafe 	Designed by Erik Magnussen, 1977. Automatic tilt-close top. Glass vacuum liner for serving hot or cold liquids. 1 liter capacity. Textured black top. Available in red, black, white and blue.	4"		11 3/4"	2 lbs. 6 ozs.
Small Plastic Carafe 	Designed by Erik Magnussen, 1977. Automatic tilt-close top. Glass vacuum liner for serving hot or cold liquids. 1/2 liter capacity. Textured black top. Available in black.	4"		8 1/4"	1 lb. 6 ozs.
Plastic Water Pitcher 	Designed by Erik Magnussen, 1977. Textured black top. Available in clear. 1 1/2 liter capacity.	4"		9 1/4"	1 lb. 4 ozs.
Plastic Creamer 	Designed by Erik Magnussen, 1977. Textured black top. Available in red, black, white, and blue. 8 oz. capacity.	3 1/4"		3 3/4"	4 ozs.
Plastic Sugar Bowl 	Designed by Erik Magnussen, 1977. Textured black top. Available in red, black, white, and blue. 10 oz. capacity.	4 1/4"		2 1/4"	4 ozs.

Order Code

Example: STL-9-30
STL-9 Plastic carafe
30 Black

Ordering Information

Specify:

1. Pattern number
2. Finish

Large carafe, creamer and sugar bowl plastic finishes:

Red (20)
 Black (30)
 White (60)
 Blue (70)

Custom Options

Small carafe finish:

Black (30)

Water pitcher plastic finishes:

Clear (10)

Additional plastic accessories available. Contact your KnollExtra representative or Customer Service for selection and pricing information.

pattern no.	list price
STL-9	\$164.

STL-15	131.
---------------	------

STL-13	81.
---------------	-----

STL-10	46.
---------------	-----

STL-11	46.
---------------	-----

Construction

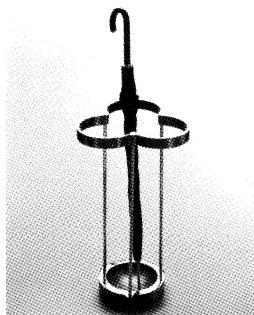
Durable ABS plastic.

Manufactured in Denmark.

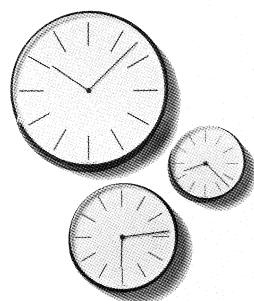
International Collection

Umbrella Stand and Clocks

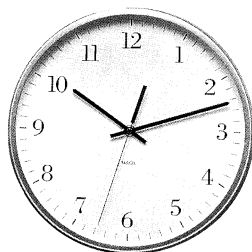
product	description	w	d	h	wt.
Ivy Umbrella Stand	Designed by Emanuela Frattini, 1990. Lightweight aluminum. Comfortably holds 9 umbrellas. Saucer-shaped base collects water.	15"	15"	20"	7 lbs.



Mathiesen Wall Clock	Designed by Ole Mathiesen, 1972. Battery-operated Swiss quartz movement. Batteries included. Black finish.	8 ³ / ₄ "	1 lb.
		12 ¹ / ₄ "	2 lbs.
		17 ¹ / ₂ "	3 lbs.



Bodoni Wall Clock	Designed by M&Co., 1990. Battery-operated German quartz movement. Black hour hand, minute hand, and numbers. Red second hand. AA battery not included.	12 ¹ / ₂ "	12 ozs.
-------------------	--	----------------------------------	---------



Order Code

Example: **EFM-IVYU**

EFM-IVYU Ivy umbrella stand

Ordering Information

Specify:

1. Pattern number

pattern no.	list price
EFM-IVYU	\$514.

1-2600	677.
1-2601	856.
1-2602	1,468.

MCO-BOD	356.
----------------	------

Construction

Umbrella stand:
 Cast aluminum base and top ring.
 Solid aluminum rods. Polished on
 top surfaces and bead blasted on
 sides and center of base and top
 ring.

Manufactured in the United States.

Mathiesen Wall Clock:
 Hand-formed aluminum frame and
 hands. Glass face cover.

Manufactured in Denmark.

Bodoni Wall Clock:
 Anodized aluminum frame. Crystal
 face cover.

Manufactured in the United
 Kingdom.

International Collection

Replacement Parts

product	description
Carafe Stopper	For use with STL-900, STL-915, STL-9 and STL-15 stainless and plastic carafes.
Carafe Top	Black textured plastic. For use with STL-900, STL-915, STL-9 and STL-15 stainless and plastic carafes.
Large Carafe Thermal Liner & Gasket	For use with STL-900 and STL-915 stainless and plastic carafes.



Order Code

Example: **STL-900-1**
STL-900-1 Carafe stopper

Ordering Information

Specify:

1. Pattern number

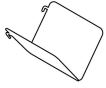
Note:

Please consult Customer Service for additional replacement parts.

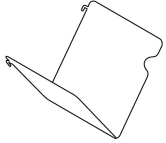
pattern no.	list price
STL-900-1	\$33.
STL-900-2	33.
STL-900-3	76.

foldit™ System Accessories
by Colebrook Bosson Saunders

product	description	w	d	h	wt.
CD Holder	CD Holder	6 1/2"	5 3/4"	4"	8 oz.



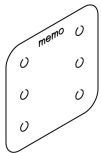
Paper Sorter	Paper Sorter	9 1/2"	8"	5 1/2"	1 lb.
--------------	--------------	--------	----	--------	-------



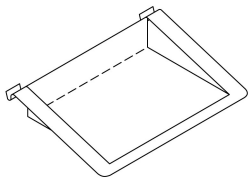
Pencil/Pen Holder	Pencil/Pen Holder	2 3/4"	2 1/2"	3 1/2"	5 oz.
-------------------	-------------------	--------	--------	--------	-------



Memo Magnet Board	Memo Magnet Board	10"		10"	13 oz.
-------------------	-------------------	-----	--	-----	--------



Tray 1	Letter Tray 1	16"	10"	3"	1 lb. 11 oz.
	Fits 8 1/2" x 11" paper				



Order Code

Example: **FLD-TRAY01-BK**

FLD Foldit

TRAY01 Letter Tray

BK Black

Ordering Information

Specify:

1. Pattern number
2. Finish

Color options:

Black	BK
White	WH
Silver	SV
Blue Metallic	BM
Red	RD

pattern no.	list price
FLD-TUNE-()	\$22.

FLD-SORT-()	32.
--------------------	-----

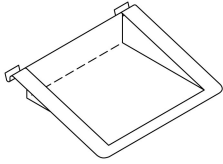
FLD-PENS-()	22.
--------------------	-----

FLD-MEMO-()	32.
--------------------	-----

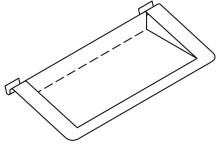
FLD-TRAY01-()	40.
----------------------	-----

foldit™ System Accessories
by Colebrook Bosson Saunders

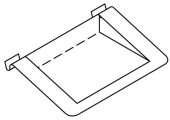
product	description	w	d	h	wt.
Tray 4 (telephone tray)	Letter Tray 4 (telephone tray)	13 1/2"	10"	3"	1 lb. 6 oz.



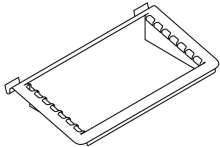
Tray 2 (32 CD)	Letter Tray 2 (32 CD)	16"	6 1/2"	2"	13 oz.
----------------	-----------------------	-----	--------	----	--------



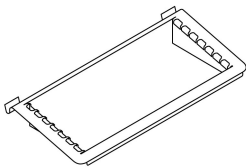
Tray 5 (20 CD)	Letter Tray 5 (20 CD)	11"	6 1/2"	2"	9 oz.
----------------	-----------------------	-----	--------	----	-------



Hanging File Sorter (letter size)	Hanging File Sorter (letter size)	15 1/2"	7"	1 1/2"	9 oz.
-----------------------------------	-----------------------------------	---------	----	--------	-------



Hanging File Sorter (legal size)	Hanging File Sorter (legal size)	18 1/2"	7"	1 1/2"	9 oz.
----------------------------------	----------------------------------	---------	----	--------	-------



Order Code

Example: **FLD-TRAY01-BK**

FLD Foldit

TRAY01 Letter Tray

BK Black

Ordering Information

Specify:

1. Pattern number
2. Finish

Color options:

Black	BK
White	WH
Silver	SV
Blue Metallic	BM
Red	RD

pattern no.	list price
FLD-TRAY04-()	\$40.

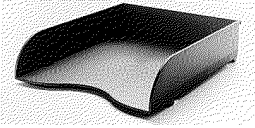
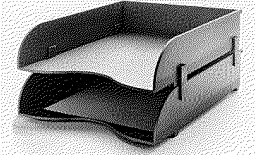
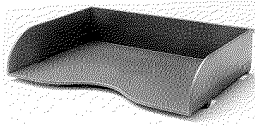
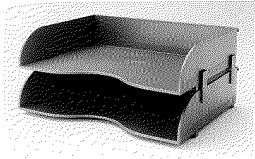
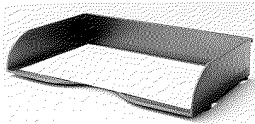
FLD-TRAY02-()	32.
-----------------------	------------

FLD-TRAY05-()	27.
-----------------------	------------

FLD-H-SORT-LT-()	32.
--------------------------	------------

FLD-H-SORT-LG-()	32.
--------------------------	------------

Orchestra® Universal System Accessories
 by Bruce Hannah & Ayse Birsel
letter trays

product	description	w	d	h	wgt.
Front Letter Single Tray 	Single tray. Non-scuffing rubber feet.	10 1/4"	13"	2 3/4"	1 lb. 2 ozs.
Front Letter Double Tray 	Double tray. Non-scuffing rubber feet. Removable stacking brackets included.	10 1/4"	13"	7 1/4"	2 lbs. 5 ozs.
Side Letter Single Tray 	Single tray. Non-scuffing rubber feet. *Available in Translucent Orange and Blue	13 1/4"	9 1/2"	2 3/4"	1 lb. 7 ozs.
Side Letter Double Tray 	Double tray. Non-scuffing rubber feet. Removable stacking brackets included. *Available Translucent in Orange and Blue	13 1/4"	9 1/2"	7 1/4"	2 lbs. 15 ozs.
Side Legal Single Tray 	Single tray. Non-scuffing rubber feet.	15 1/2"	9 1/2"	2 3/4"	2 lbs.

Order Code

Example: ORCH-F-LT-BK
ORCH-F- Front letter tray
LT
BK Black

Ordering Information

- Specify:*
1. Pattern number
 2. Finish
- Opaque plastic finishes:*
 Black (BK) →
 Medium Grey (DG) →
 Soft Grey (E) →
 Warm Putty (WP)

Custom Options

- Translucent polycarbonate finishes:*
 Clear (CL)
 *Orange (OR)
 *Blue (BL)
 *Select Products Only
- KnollNow:* →
 Denoted finishes available in the KnollNow Program. Maximum order quantity of 25 units per line item.

Custom colors available upon sample chip approval. \$250 color match fee and 500 piece minimum per line item.

pattern no.	translucent colors list price	opaque colors list price
ORCH-F-LT →	\$40.	\$33.
2ORCH-F-LT →	80.	69.
ORCH-S-LT →	40.	33.
2ORCH-S-LT →	80.	69.
ORCH-S-LGT →	49.	42.

System top cap-mounted signage plate available, designed to customer specifications and system. Customer responsible for graphics. 100 unit minimum. Contact your KnollExtra representative or Customer Service for complete pricing information.

Construction

Opaque plastic finishes:
Sturdy polystyrene plastic in matte, textured finish. Fingerprint resistant.

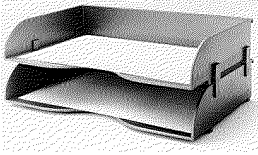
Translucent finishes:
Sturdy polycarbonate resin.

Manufactured in the United States.

Design Awards

Permanent Collection of the Cooper-Hewitt, National Design Museum, Smithsonian Institution, 1994; ROSCOE Award, Interior Design Magazine, 1991; Outstanding Performance, Product Design Achievement Award, IBD Southern California Chapter, 1991; Bronze Award, IBD Product Design Competition, 1990.

Orchestra® Universal System Accessories
 by Bruce Hannah & Ayse Birsel
letter trays

product	description	w	d	h	wgt.
Side Legal Double Tray 	Double tray. Non-scuffing rubber feet. Removable stacking brackets included.	15 1/2"	9 1/2"	7 1/4"	4 lbs. 1 oz.
Replacement Stacking Brackets	Set of four stacking brackets for all Orchestra letter trays. *Available in Translucent Orange and Blue	3/4"	1/2"	2"	1 oz. (set)

Order Code

Example: **ORCH-F-LT-BK**
ORCH-F- Front letter tray
LT
BK Black

Ordering Information

Specify:
 1. Pattern number
 2. Finish
Opaque plastic finishes:
 Black (BK) →
 Medium Grey (DG) →
 Soft Grey (E) →
 Warm Putty (WP)

Custom Options

Translucent polycarbonate finishes:
 Clear (CL)
 *Orange (OR)
 *Blue (BL)
 *Select Products Only
KnollNow: →
 Denoted finishes available in the KnollNow Program. Maximum order quantity of 25 units per line item.

Custom colors available upon sample chip approval. \$250 color match fee and 500 piece minimum per line item.

pattern no.	translucent colors list price	opaque colors list price
2ORCH-S-LGT →	\$97.	\$83.
ORCH-SB	6.	5.

System top cap-mounted signage plate available, designed to customer specifications and system. Customer responsible for graphics. 100 unit minimum. Contact your KnollExtra representative or Customer Service for complete pricing information.

Construction

Opaque plastic finishes:
Sturdy polystyrene plastic in matte, textured finish. Fingerprint resistant.

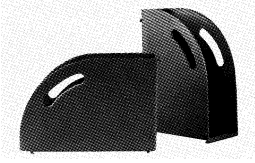
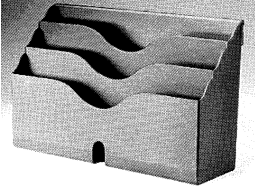
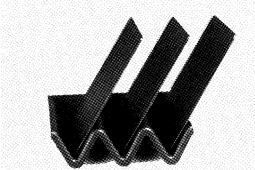
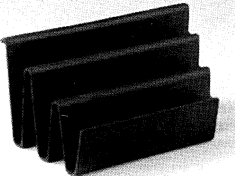
Translucent finishes:
Sturdy polycarbonate resin.

Manufactured in the United States.

Design Awards

Permanent Collection of the Cooper-Hewitt, National Design Museum, Smithsonian Institution, 1994; ROSCOE Award, Interior Design Magazine, 1991; Outstanding Performance, Product Design Achievement Award, IBD Southern California Chapter, 1991; Bronze Award, IBD Product Design Competition, 1990.

Orchestra® Universal System Accessories
 by Bruce Hannah & Ayse Birsal
paper management

product	description	w	d	h	wgt.
2-Way Binder Bin 	Horizontal or vertical positioning. Excellent for rail-mount, desktop, and overhead storage.	4 3/4"	12 1/4"	8 1/4"	1 lb. 6 ozs.
Vertical Paper Pack 	Holds memo, letter, legal and unbound EDP size material. *Available in Translucent Orange and Blue	15 1/4"	5"	9"	2 lbs. 1 oz.
Slanted Sorter 	Removable dividers tilt left and right. *Available in Translucent Orange and Blue	9"	11"	8 1/2"	2 lbs. 4 ozs.
File Sorter 	Versatile sorter holds small files, stationery, envelopes, messages and other desktop papers.	10 1/4"	5 1/2"	5 1/2"	1 lb. 8 ozs.

Order Code	Ordering Information	Custom Options
Example: ORCH-BDN-DG <hr/> ORCH- Binder bin <hr/> BDN <hr/> DG Medium grey	<i>Specify:</i> 1. Pattern number 2. Finish <i>Opaque plastic finishes:</i> Black (BK) → Medium Grey (DG) → Soft Grey (E) → Warm Putty (WP) <i>Translucent polycarbonate finishes:</i> Clear (CL) *Orange (OR) *Blue (BL) *Select Products Only	<i>KnollNow:</i> → Denoted finishes available in the KnollNow Program. Maximum order quantity of 25 units per line item. Custom colors available upon sample chip approval. \$250 color match fee and 500 piece minimum per line item. System top cap-mounted signage plate available, designed to customer specifications and system. Customer responsible for graphics. 100 unit minimum. Contact your KnollExtra representative or Customer Service for complete pricing information.

pattern no.	translucent colors list price	opaque colors list price
ORCH-BDN →	\$52.	\$45.
ORCH-VPP →	56.	52.
ORCH-SSD →	56.	52.
ORCH-FS →	38.	35.

Construction

Opaque plastic finishes:
Sturdy polystyrene plastic in matte, textured finish. Fingerprint resistant.

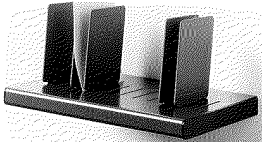

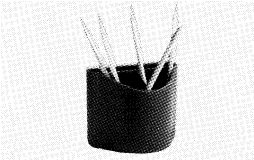

Translucent finishes:
Sturdy polycarbonate resin.

Manufactured in the United States.

Design Awards

Permanent Collection of the Cooper-Hewitt, National Design Museum, Smithsonian Institution, 1994; ROSCOE Award, Interior Design Magazine, 1991; Outstanding Performance, Product Design Achievement Award, IBD Southern California Chapter, 1991; Bronze Award, IBD Product Design Competition, 1990.

Orchestra® Universal System Accessories
 by Bruce Hannah & Ayse Birsel
 mini-shelf, hanging file holders, pencil cup and utility trays

product	description	w	d	h	wgt.
 <p>Mini-Shelf</p>	Flexible storage shelf for small items and papers. 5 removable dividers and 11 slotted holes. Shelf available in black anodized aluminum and medium grey painted aluminum only. Dividers in any opaque plastic finish.	12"	8"	5 1/2"	2 lbs. 5 ozs.
 <p>Hanging File Holders</p>	2 per set. Attach to rail and hold legal or letter size hanging folders for easy access. Black is anodized aluminum. Medium grey is painted aluminum. Not for use on Currents slatwall.	1"	8"	1"	8 ozs. (pair)
 <p>Pencil Cup</p>	Three compartments for pencils, 4" x 6" memo paper, and large Post-It™ Notes. *Available in Translucent Orange and Blue	5"	3"	4"	7 ozs.
 <p>Utility Tray</p>	6 versatile compartments hold pencils, paper clips, and other paper management items. Largest compartment is 3" x 8 1/4".	12"	7"	1"	12 ozs.

Order Code	Ordering Information	Custom Options
Example: OR-MS-12-BK-E OR-MS-12 Mini shelf BK Black E Soft grey dividers	<i>Specify:</i> 1. Pattern number 2. Finish 3. Divider finish(mini-shelf only) <i>Opaque plastic finishes:</i> Black (BK) → Medium Grey (DG) → Soft Grey (E) → Warm Putty (WP) <i>Translucent polycarbonate finishes:</i> Clear (CL) *Orange (OR) *Blue (BL) *Select Products Only	<i>Hanging file holder and mini-shelf metal finishes:</i> Black (BK) → Medium Grey (DG) <i>KnollNow:</i> → Denoted finishes available in the KnollNow Program. Maximum order quantity of 25 units per line item. For plastic accessories, custom colors available upon sample chip approval. \$250 color match fee and 500 piece minimum per line item. System top cap-mounted signage plate available, designed to customer specifications and system. Customer responsible for graphics. 100 unit minimum. Contact your KnollExtra representative or Customer Service for complete pricing information.

pattern no.	translucent colors list price	opaque colors list price
OR-MS-12 →		\$118.
ORCH-HFH →		37.
ORCH-PC →	22.	20.
ORCH-UT →	28.	26.

Construction

Hanging file holder and mini-shelf:
Medium grey painted aluminum or black anodized aluminum. Mini-shelf dividers are poly-styrene plastic.

Pencil cup and utility tray:
Sturdy polystyrene plastic in a matte, textured finish. Fingerprint resistant.

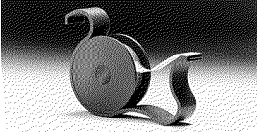
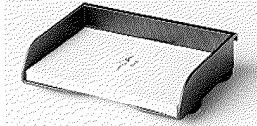
Translucent finishes:
Sturdy polycarbonate resin.

All items are manufactured in the United States.

Design Awards

Permanent Collection of the Cooper-Hewitt, National Design Museum, Smithsonian Institution, 1994; ROSCOE Award, Interior Design Magazine, 1991; Outstanding Performance, Product Design Achievement Award, IBD Southern California Chapter, 1991; Bronze Award, IBD Product Design Competition, 1990.

Orchestra® Universal System Accessories
 by Bruce Hannah & Ayse Birsal
 tape dispenser, memo tray and disk holder

product	description	type	w	d	h	wgt.
Tape Dispenser	Holds standard, clear tape (not included).		1"	4 1/2"	3 1/2"	3 ozs.
						
Memo Tray	Includes 4" x 6" memo paper. Non-scaffing rubber feet.		6"	4"	1"	9 ozs.
						
	*Available in Translucent Orange and Blue					

Order Code	Ordering Information	Custom Options
Example: ORCH-TD-E	<i>Specify:</i>	Custom colors available upon sample chip approval. \$250 color match fee and 500 piece minimum per line item.
ORCH-TD Tape dispenser	1. Pattern number	
E Soft grey	2. Finish	System top cap-mounted signage plate available, designed to customer specifications and system. Customer responsible for graphics. 100 unit minimum. Contact your KnollExtra representative or Customer Service for complete pricing information.
	<i>Opaque plastic finishes:</i>	
	Black (BK) →	
	Medium Grey (DG) →	
	Soft Grey (E) →	
	Warm Putty (WP)	
	<i>Translucent polycarbonate finishes:</i>	
	Clear (CL)	
	*Orange (OR)	
	*Blue (BL)	
	*Select Products Only	

pattern no.	translucent colors list price	opaque colors list price
ORCH-TD →	\$19.	\$18.
ORCH-MT →	22.	20.

Construction

Opaque plastic finishes:
Sturdy polystyrene plastic in matte, textured finish. Fingerprint resistant.

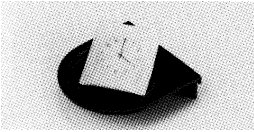
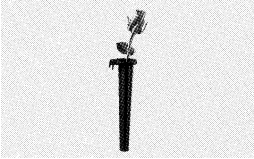
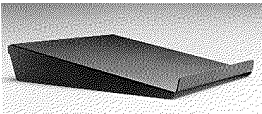
Translucent finishes:
Sturdy polycarbonate resin.

Manufactured in the United States.

Design Awards

Permanent Collection of the Cooper-Hewitt, National Design Museum, Smithsonian Institution, 1994; ROSCOE Award, Interior Design Magazine, 1991; Outstanding Performance, Product Design Achievement Award, IBD Southern California Chapter, 1991; Bronze Award, IBD Product Design Competition, 1990.

Orchestra® Universal System Accessories
 by Bruce Hannah & Ayse Birsel
clip/cup holder, bud vase and telephone shelf

product	description	w	d	h	wgt.
Clip/Cup Holder 	Removes coffee cups, cans, paper clips, thumb tacks, etc. from the worksurface. Available in black and medium grey painted aluminum.	3 3/4"	4"	1"	4 ozs.
Bud Vase 	Available in black and clear. Rail-mounted only.	2"	2"	7"	3 ozs.
Telephone Shelf 	Holds virtually any standard office telephone. Available in black only.	12"	11 1/2"	2"	3 lbs. 12 ozs.

Order Code

Example: **ORCH-CCH-BK**
ORCH- Clip/ Cup Holder
CCH
BK Black

Ordering Information

Specify:
 1. Pattern number
 2. Finish (When applicable)

Acrylic vase finishes:
 Black (BK)
 Clear (CL)

Clip/cup holder finishes:
 Black (BK)
 Medium Grey (DG)

KnollNow: ✨
 Denoted finishes available in the KnollNow Program. Maximum order quantity of 25 units per line item.

Custom Options

For plastic accessories, custom colors available upon sample chip approval. \$250 color match fee and 500 piece minimum per line item.

System top cap-mounted signage plate available, designed to customer specifications and system. Customer responsible for graphics. 100 unit minimum. Contact your KnollExtra representative or Customer Service for complete pricing information.

pattern no.	opaque colors list price
ORCH-CCH →	\$44.
ORCH-VAS →	20.
ORCH-TS-UNI →	78.

Construction

Translucent finishes:
Sturdy polycarbonate resin.

Clip/cup holder:
Painted, sand cast aluminum.

Bud vase:
Acrylic with black polystyrene holder.

Telephone shelf:
16-gauge painted steel.

Bud Vase is manufactured in Taiwan, Republic of China. All other items are manufactured in the United States.

Design Awards

Permanent Collection of the Cooper-Hewitt, National Design Museum, Smithsonian Institution, 1994; ROSCOE Award, Interior Design Magazine, 1991; Outstanding Performance, Product Design Achievement Award, IBD Southern California Chapter, 1991; Bronze Award, IBD Product Design Competition, 1990.

Orchestra® Universal System Accessories
 by Bruce Hannah & Ayse Birsel
 desk pads and wastebaskets

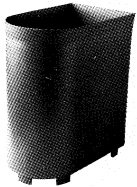
product	description	w	d	h	wgt.
Racetrack Desk Pad	Black linoleum with felt back.	30"	18"		5 lbs.



Wastebasket	Freestanding, 24 qt. capacity.	8 1/2"	14"	14 7/8"	4 lbs. 6 ozs.
-------------	--------------------------------	--------	-----	---------	---------------



Recycling Wastebasket	Blue recycling color for desk-side separation of waste materials. Includes recycling stickers. Freestanding. 24 qt. capacity.	8 1/2"	14"	14 7/8"	4 lbs. 6 ozs.
-----------------------	---	--------	-----	---------	---------------



Order Code	Ordering Information	Custom Options
Example: ORCH-WBK-E	<i>Specify:</i>	Additional desk pad colors available. Special sizes available up to 34"W x 28"D. 50 piece minimum on all custom desk pads. Custom wastebasket colors available upon sample chip approval. \$250 color match fee and 750 minimum per line item. Contact your KnollExtra representative or Customer Service for complete pricing information.
ORCH- Wastebasket	1. Pattern number	
WBK	2. Finish (When applicable)	
E Soft grey	<i>Wastebasket finishes:</i>	
	Black (BK) → Medium Grey (DG) → Soft Grey (E) → Warm putty (WP) Electric blue (EB)	
	<i>KnollNow:</i> → Denoted finishes available in the KnollNow Program. Maximum order quantity of 25 units per line item.	

pattern no.	list price
ORCH-DP →	\$76.

ORCH-WBK →	85.
------------	-----

ORCH-WBK-R-EB →	85.
-----------------	-----

Construction

Desk pad:
Black linoleum with felt black

Wastebasket:
Polypropylene with matte textured finish.

All items are manufactured in the United States.

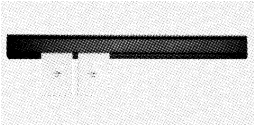
Design Awards

Permanent Collection of the Cooper-Hewitt, National Design Museum, Smithsonian Institution, 1994; ROSCOE Award, Interior Design Magazine, 1991; Outstanding Performance, Product Design Achievement Award, IBD Southern California Chapter, 1991; Bronze Award, IBD Product Design Competition, 1990.

Orchestra® Universal System Accessories

by Bruce Hannah & Ayse Birsal

load bar/info rail

product	description	w	d	h	wgt.
Load Bar/Info Rail 	• Fits virtually every office system.	24"	1/2"	3"	1 lb. 9 ozs.
	• Mounts on panel, stanchion, wall or freestanding desk.	30"	1/2"	3"	2 lbs.
	• Info Rail underside holds memos and notes for easy access.	35"	1/2"	3"	2 lbs. 6 ozs.
	• Black plastic end caps.	36"	1/2"	3"	2 lbs. 9 ozs.
	• Wall, stanchion or panel-mounted brackets included in list price (see mounting options page).	42"	1/2"	3"	3 lbs.
		45"	1/2"	3"	3 lbs. 2 ozs.
		48"	1/2"	3"	3 lbs. 4 ozs.
		54"	1/2"	3"	4 lbs.
		60"	1/2"	3"	4 lbs. 5 ozs.
		66"	1/2"	3"	4 lbs. 8 ozs.
	72"	1/2"	3"	4 lbs. 12 ozs.	
Load Bar/Info Rail Morrison Network 2		11 5/8"	1/2"	3"	
		17 5/8"	1/2"	3"	
		23 5/8"	1/2"	3"	
		29 5/8"	1/2"	3"	
		35 5/8"	1/2"	3"	
		41 5/8"	1/2"	3"	
		47 5/8"	1/2"	3"	
Currents Work Shelf Load Bar		13 1/2"	1/2"	3"	
		17 7/8"	1/2"	3"	
		29 7/8"	1/2"	3"	
Currents Stanchion Mounted Load Bar		26 3/4"	1/2"	3"	
		38 3/4"	1/2"	3"	
Dividends and Caliber Stanchion Mounted Load Bar		31 5/8"	1/2"	3"	
		37 5/8"	1/2"	3"	
		43 5/8"	1/2"	3"	
		55 5/8"	1/2"	3"	
		67 5/8"	1/2"	3"	

Order Code	Ordering Information
Example: OR-LBI-36-111 OR-BKT-PM-R <hr/> OR-LBI-36 36" load bar <hr/> 111 Black <hr/> OR-BKT-PM-R Panel-mounted bracket for Reff	<i>Specify:</i> 1. Pattern number 2. System Suffix 3. Finish 4. Mounting Option Special sizes and small quantity orders may be painted <i>Anodized aluminum finish:</i> Silver Anodized (SV)
	<i>Painted Core aluminum finishes:</i> Medium Grey (115) ✈ Soft Grey (117) ✈ Black (111) Beige Mist Metallic (611) Brown (112) Dark Grey (113) Folkstone Grey (114) Sandstone (116) Bright White (118) Medium Grey Metallic (612)
	<i>Painted Legacy aluminum finishes are still available for existing customers only:</i> Medium Grey (DG) ✈ Soft Grey (E) ✈ Warm Putty (WP) Flint (F) Black (BK)

pattern no.	list
OR-LBI-24-()()	\$77.
OR-LBI-30-()()	77.
OR-LBI-35-()()	82.
OR-LBI-36-()()	82.
OR-LBI-42-()()	92.
OR-LBI-45-()()	103.
OR-LBI-48-()()	103.
OR-LBI-54-()()	111.
OR-LBI-60-()()	118.
OR-LBI-66-()()	131.
OR-LBI-72-()()	153.
OR-LBI-24-N2-()()	67.
OR-LBI-30-N2-()()	73.
OR-LBI-36-N2-()()	77.
OR-LBI-42-N2-()()	77.
OR-LBI-48-N2-()()	82.
OR-LBI-54-N2-()()	92.
OR-LBI-60-N2-()()	103.
OR-LBI-66-N2-()()	111.
OR-LBI-72-N2-()()	118.
OR-LBI-30-C-()()	32.
OR-LBI-36-C-()()	38.
OR-LBI-48-C-()()	55.
OR-LBI-36-CS-()()	50.
OR-LBI-48-CS-()()	74.
OR-LBI-36-DV-()()	54.
OR-LBI-42-DV-()()	63.
OR-LBI-48-DV-()()	75.
OR-LBI-60-DV-()()	89.
OR-LBI-72-DV-()()	111.

Mounting Options

See page 84 for mounting options

KnollNow: ➔
Denoted finishes available in the KnollNow Program. Maximum order quantity of 25 units per line item.

Custom Options

Note:
Load Bar/Info Rails are available in custom lengths. Please note that for all lengths greater than 66", load bar will be painted, not anodized. Contact your local Knoll Customer Service representative for details.

Construction

Load bar/info rail:
Corrosion-resistant T-6063 painted or anodized aluminum. End caps are textured polystyrene plastic. Load Bar is filled with 1/2" Delrin plastic pellets to support papers on info rail.

All items manufactured in the United States.

Design Awards

Permanent Collection of the Cooper-Hewitt, National Design Museum, Smithsonian Institution, 1994; ROSCOE Award, Interior Design Magazine, 1991; Outstanding Performance, Product Design Achievement Award, IBD Southern California Chapter, 1991; Bronze Award, IBD Product Design Competition, 1990.

Orchestra® Universal System Accessories
 by Bruce Hannah & Ayse Birsal
 load bar/info rail

product	description	w	d	h	wgt.
Equity Stanchion Load Bar		24"	1"	3"	
		30"	1"	3"	
		36"	1"	3"	
		42"	1"	3"	
		54"	1"	3"	
		66"	1"	3"	
Equity Application Load Bar		22 1/4"	1/2"	3"	
		28 1/4"	1/2"	3"	
		34 1/4"	1/2"	3"	
		40 1/4"	1/2"	3"	
		46 1/4"	1/2"	3"	
		52 1/4"	1/2"	3"	
		58 1/4"	1/2"	3"	
		64 1/4"	1/2"	3"	
		70 1/4"	1/2"	3"	

Order Code

Ordering Information

Example: OR-LBI-36-111
OR-BKT-PM-R
OR-LBI-36 36" load bar
111 Black
OR-BKT- Panel-mounted bracket
PM-R for Reff

Specify:
 1. Pattern number
 2. System Suffix
 3. Finish
 4. Mounting Option
 Special sizes and small quantity orders may be painted
Anodized aluminum finish:
 Silver Anodized (SV)

Painted Core aluminum finishes:
 Medium Grey (115) ✈
 Soft Grey (117) ✈
 Black (111)
 Beige Mist Metallic (611)
 Brown (112)
 Dark Grey (113)
 Folkstone Grey (114)
 Sandstone (116)
 Bright White (118)
 Medium Grey Metallic (612)

Painted Legacy aluminum finishes are still available for existing customers only:
 Medium Grey (DG) ✈
 Soft Grey (E) ✈
 Warm Putty (WP)
 Flint (F)
 Black (BK)

pattern no.	list
OR-LBI-30-ES-()()	\$77.
OR-LBI-36-ES-()()	77.
OR-LBI-42-ES-()()	82.
OR-LBI-48-ES-()()	92.
OR-LBI-60-ES-()()	111.
OR-LBI-72-ES-()()	131.
OR-LBI-24-EY-()()	77.
OR-LBI-30-EY-()()	77.
OR-LBI-36-EY-()()	82.
OR-LBI-42-EY-()()	92.
OR-LBI-48-EY-()()	103.
OR-LBI-54-EY-()()	111.
OR-LBI-60-EY-()()	118.
OR-LBI-66-EY-()()	131.
OR-LBI-72-EY-()()	153.

Mounting Options

See page 84 for mounting options

KnollNow: ➔
Denoted finishes available in the KnollNow Program. Maximum order quantity of 25 units per line item.

Custom Options

Note:
Load Bar/Info Rails are available in custom lengths. Please note that for all lengths greater than 66", load bar will be painted, not anodized. Contact your local Knoll Customer Service representative for details.

Construction

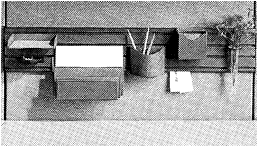
Load bar/info rail:
Corrosion-resistant T-6063 painted or anodized aluminum. End caps are textured polystyrene plastic. Load Bar is filled with 1/2" Delrin plastic pellets to support papers on info rail.

All items manufactured in the United States.

Design Awards

Permanent Collection of the Cooper-Hewitt, National Design Museum, Smithsonian Institution, 1994; ROSCOE Award, Interior Design Magazine, 1991; Outstanding Performance, Product Design Achievement Award, IBD Southern California Chapter, 1991; Bronze Award, IBD Product Design Competition, 1990.

Orchestra® Universal System Accessories
 by Bruce Hannah & Ayse Birsal
 slatboard 6½"

product	description	w	d	h	wt.
Slatboard-6½" 	<ul style="list-style-type: none"> Fits virtually every office system. Mounts on panel, stanchion, wall or freestanding desk. 3 horizontal accessory channels. Info rail underside holds memos and notes for easy access. Wall, stanchion, or panel-mounted brackets included in list price (see mounting options page). 	24"	1"	6½"	2 lbs. 9 ozs.
		30"	1"	6½"	3 lbs. 3 ozs.
		35"	1"	6½"	3 lbs. 13 ozs.
		36"	1"	6½"	3 lbs. 13 ozs.
		42"	1"	6½"	4 lbs. 8 ozs.
		45"	1"	6½"	4 lbs. 8 ozs.
		48"	1"	6½"	5 lbs. 2 ozs.
		54"	1"	6½"	5 lbs. 12 ozs.
		60"	1"	6½"	6 lbs. 6 ozs.
		66"	1"	6½"	7 lbs.
		72"	1"	6½"	7 lbs. 11 ozs.
		Slatboard Morrison Network 2		11 ⅝"	1"
	17 ⅝"		1"	6½"	
	23 ⅝"		1"	6½"	
	29 ⅝"		1"	6½"	
	35 ⅝"		1"	6½"	
	41 ⅝"		1"	6½"	
	47 ⅝"		1"	6½"	
	53 ⅝"		1"	6½"	
Slatboard-Equity Stanchion		24"	1"	6½"	
		30"	1"	6½"	
		36"	1"	6½"	
		42"	1"	6½"	
		54"	1"	6½"	
		66"	1"	6¾"	
Equity application		24"	1"	6½"	2 lbs. 9 ozs.
		30"	1"	6½"	3 lbs. 3 ozs.
		36"	1"	6½"	3 lbs. 13 ozs.
		42"	1"	6½"	4 lbs. 8 ozs.
		48"	1"	6½"	5 lbs. 2 ozs.
		54"	1"	6½"	5 lbs. 12 ozs.

Order Code

Example: OR-SL-06-42-EY-117-OR-BKT-PM-E
OR-SL-06- 42"W x 6½"H slatboard
42
EY Equity suffix
117 Soft grey
OR-BKT- Panel-mounted bracket
PM-E for Equity

Ordering Information

Specify:
 1. Pattern number
 2. System
 3. Finish
 4. Mounting Option

anodized aluminum finish:
 Satin Anodized Aluminum (SA) includes painted silver endcap. Special sizes and small quantity orders may be painted

Painted aluminum finishes:
 Medium Grey (115) ➔
 Soft Grey (117) ➔
 Black (111)
 Beige Mist Metallic (611)
 Brown (112)
 Dark Grey (113)
 Folkstone Grey (114)
 Sandstone (116)
 Bright White (118)
 Medium Grey Metallic (612)

Painted Legacy aluminum finishes are still available for existing customers only:
 Medium Grey (DG) ➔
 Soft Grey (E) ➔
 Warm Putty (WP)
 Flint (F)
 Black (BK)

KnollNow: ➔
 Denoted finishes available in the KnollNow Program. Maximum order quantity of 25 units per line item.

pattern no.	list price
OR-SL-06-24-() ()	\$118.
OR-SL-06-30-() ()	138.
OR-SL-06-35-() ()	157.
OR-SL-06-36-() ()	157.
OR-SL-06-42-() ()	175.
OR-SL-06-45-() ()	196.
OR-SL-06-48-() ()	196.
OR-SL-06-54-() ()	216.
OR-SL-06-60-() ()	234.
OR-SL-06-66-() ()	254.
OR-SL-06-72-() ()	275.
<hr/>	
OR-SL-06-24-N2-() ()	78.
OR-SL-06-30-N2-() ()	98.
OR-SL-06-36-N2-() ()	118.
OR-SL-06-42-N2-() ()	138.
OR-SL-06-48-N2-() ()	157.
OR-SL-06-54-N2-() ()	175.
OR-SL-06-60-N2-() ()	196.
OR-SL-06-66-N2-() ()	216.
OR-SL-06-72-N2-() ()	234.
<hr/>	
OR-SL-06-30-ES-() ()	118.
OR-SL-06-36-ES-() ()	138.
OR-SL-06-42-ES-() ()	157.
OR-SL-06-48-ES-() ()	175.
OR-SL-06-60-ES-() ()	216.
OR-SL-06-72-ES-() ()	254.
<hr/>	
OR-SL-06-24-EY-() ()	118.
OR-SL-06-30-EY-() ()	138.
OR-SL-06-36-EY-() ()	157.
OR-SL-06-42-EY-() ()	175.
OR-SL-06-48-EY-() ()	196.
OR-SL-06-54-EY-() ()	216.

Worksurface-mounted bracket:
Metal posts attach to underside of worksurface with C-clamp, raising Load Bar 10" above worksurface. Usable on worksurfaces 1 1/8"-1 13/16" thick. Set of 2 brackets. For Slatboards wider than 66", order additional brackets.

For use with load bars and 6 1/2" slatboards only.

MOUNTING OPTIONS:
See mounting option page

Panel, stanchion and wall-mounted brackets:

Wall, stanchion, or panel-mounted brackets are included in the list price.

Note: Other brackets for other manufacturers stations are available. Contact your KnollExtra Representative for more information.

Custom Options

Note:
Slatboard is available in custom lengths of up to 96". 100 piece minimum per line item. Please note that for all lengths greater than 66", load bar will be painted, not anodized.

Brackets are currently available for virtually every major office system. Panel-mounted brackets for other systems can be developed. Minimum of 100 sets per bracket. Tooling and set-up charges may be required.

Construction

Corrosion-resistant T-6063-T5 painted or anodized aluminum. End caps are 11 gauge steel painted matte black. Bottom rail is filled with 1/2" Delrin plastic pellets to support papers on Info Rail.

Worksurface-mounted bracket:
Die-cast aluminum painted black.

All items manufactured in the United States.

Orchestra® Universal System Accessories
 by Bruce Hannah & Ayse Birsel
 slatboard 6 1/2"

product	description	w	d	h	wgt.
Equity application		60"	1"	6 1/2"	6 lbs. 6 ozs.
		66"	1"	6 1/2"	7 lbs.
		72"	1"	6 1/2"	7 lbs. 11 ozs.

Order Code

Example: OR-SL-06-42-EY-117-OR-BKT-PM-E
OR-SL-06-42 42"W x 6 1/2"H slatboard
EY Equity suffix
117 Soft grey
OR-BKT-PM-E Panel-mounted bracket for Equity

Ordering Information

Specify:
 1. Pattern number
 2. System
 3. Finish
 4. Mounting Option

anodized aluminum finish:
 Satin Anodized Aluminum (SA) includes painted silver endcap. Special sizes and small quantity orders may be painted

Painted aluminum finishes:
 Medium Grey (115) ➔
 Soft Grey (117) ➔
 Black (111)
 Beige Mist Metallic (611)
 Brown (112)
 Dark Grey (113)
 Folkstone Grey (114)
 Sandstone (116)
 Bright White (118)
 Medium Grey Metallic (612)

Painted Legacy aluminum finishes are still available for existing customers only:
 Medium Grey (DG) ➔
 Soft Grey (E) ➔
 Warm Putty (WP)
 Flint (F)
 Black (BK)

KnollNow: ➔
 Denoted finishes available in the KnollNow Program. Maximum order quantity of 25 units per line item.

pattern no.	list price
OR-SL-06-60-EY-()()	\$234.
OR-SL-06-66-EY-()()	254.
OR-SL-06-72-EY-()()	275.

Worksurface-mounted bracket:
 Metal posts attach to underside of worksurface with C-clamp, raising Load Bar 10" above worksurface. Usable on worksurfaces 1 1/8"-1 13/16" thick. Set of 2 brackets. For Slatboards wider than 66", order additional brackets.
 For use with load bars and 6 1/2" slatboards only.

MOUNTING OPTIONS:
 See mounting option page
Panel, stanchion and wall-mounted brackets:
 Wall, stanchion, or panel-mounted brackets are included in the list price.
 Note: Other brackets for other manufacturers stations are available. Contact your KnollExtra Representative for more information.


Custom Options

Note:
 Slatboard is available in custom lengths of up to 96". 100 piece minimum per line item. Please note that for all lengths greater than 66", load bar will be painted, not anodized.
 Brackets are currently available for virtually every major office system. Panel-mounted brackets for other systems can be developed. Minimum of 100 sets per bracket. Tooling and set-up charges may be required.

Construction

Corrosion-resistant T-6063-T5 painted or anodized aluminum. End caps are 11 gauge steel painted matte black. Bottom rail is filled with 1/2" Delrin plastic pellets to support papers on Info Rail.
Worksurface-mounted bracket:
 Die-cast aluminum painted black.
 All items manufactured in the United States.

Orchestra® Universal System Accessories
 by Bruce Hannah & Ayse Birsal
 slatboard 14³/₄"

product	description	w	d	h	wgt.
Slatboard-14 ³ / ₄ " 	<ul style="list-style-type: none"> Fits virtually every office system. Mounts on panel, stanchion, wall or freestanding desk. 8 horizontal accessory channels. Info rail underside holds memos and notes for easy access. Wall, stanchion, or panel-mounted brackets included in list price (see mounting options page). 	24"	1"	14 ³ / ₄ "	5 lbs. 2 ozs.
		30"	1"	14 ³ / ₄ "	6 lbs. 6 ozs.
		35"	1"	14 ³ / ₄ "	7 lbs. 1 oz.
		36"	1"	14 ³ / ₄ "	7 lbs. 1 oz.
		42"	1"	14 ³ / ₄ "	9 lbs.
		45"	1"	14 ³ / ₄ "	9 lbs.
		48"	1"	14 ³ / ₄ "	10 lbs. 4 ozs.
		54"	1"	14 ³ / ₄ "	11 lbs. 8 ozs.
		60"	1"	14 ³ / ₄ "	12 lbs. 12 ozs.
		66"	1"	14 ³ / ₄ "	14 lbs.
		72"	1"	14 ³ / ₄ "	15 lbs. 6 ozs.
Slatboard-Equity Stanchion		24"	1"	14 ³ / ₄ "	5 lbs. 2 ozs.
		30"	1"	14 ³ / ₄ "	6 lbs. 6 ozs.
		36"	1"	14 ³ / ₄ "	7 lbs. 1 oz.
		42"	1"	14 ³ / ₄ "	9 lbs.
		54"	1"	14 ³ / ₄ "	11 lbs. 8 ozs.
		66"	1"	14 ³ / ₄ "	14 lbs.
Equity application		24"	1"	6 ¹ / ₂ "	2 lbs. 9 ozs.
		30"	1"	6 ¹ / ₂ "	3 lbs. 3 ozs.
		36"	1"	6 ¹ / ₂ "	3 lbs. 13 ozs.
		42"	1"	6 ¹ / ₂ "	4 lbs. 8 ozs.
		48"	1"	6 ¹ / ₂ "	5 lbs. 2 ozs.
		54"	1"	6 ¹ / ₂ "	5 lbs. 12 ozs.
		60"	1"	6 ¹ / ₂ "	6 lbs. 6 ozs.
		66"	1"	6 ¹ / ₂ "	7 lbs.
	72"	1"	6 ¹ / ₂ "	7 lbs. 11 ozs.	

Order Code

Example: OR-SL-14-42-EY-117-OR-BKT-PM-E
 OR-SL-14- 42"W x 14"H slatboard
42
EY Equity suffix
117 Soft grey
OR-BKT- Panel-mountrd bracket
PM-E for Equity

Ordering Information

Specify:
 1. Pattern number
 2. System
 3. Finish
 4. Mounting Option

anodized aluminum finish:
 Satin Anodized Aluminum (SA)

Special sizes and small quantity orders may be painted

Painted aluminum finishes:
 Medium Grey (115) ➔
 Soft Grey (117) ➔
 Black (111)
 Beige Mist Metallic (611)
 Brown (112)
 Dark Grey (113)
 Folkstone Grey (114)
 Sandstone (116)
 Bright White (118)
 Medium Grey Metallic (612)


Painted Legacy aluminum finishes are still available for existing customers only:
 Medium Grey (DG) ➔
 Soft Grey (E) ➔
 Warm Putty (WP)
 Flint (F)
 Black (BK)

KnollNow: ➔
 Denoted finishes available in the KnollNow Program. Maximum order quantity of 25 units per line item.

pattern no.	list price
OR-SL-14-24-()()	\$313.
OR-SL-14-30-()()	346.
OR-SL-14-35-()()	378.
OR-SL-14-36-()()	378.
OR-SL-14-42-()()	417.
OR-SL-14-45-()()	456.
OR-SL-14-48-()()	456.
OR-SL-14-54-()()	495.
OR-SL-14-60-()()	536.
OR-SL-14-66-()()	572.
OR-SL-14-72-()()	614.
OR-SL-14-30-ES-()()	313.
OR-SL-14-36-ES-()()	346.
OR-SL-14-42-ES-()()	378.
OR-SL-14-48-ES-()()	417.
OR-SL-14-60-ES-()()	495.
OR-SL-14-72-ES-()()	572.
OR-SL-14-24-EY-()()	313.
OR-SL-14-30-EY-()()	346.
OR-SL-14-36-EY-()()	378.
OR-SL-14-42-EY-()()	417.
OR-SL-14-48-EY-()()	456.
OR-SL-14-54-EY-()()	495.
OR-SL-14-60-EY-()()	536.
OR-SL-14-66-EY-()()	572.
OR-SL-14-72-EY-()()	614.

	Custom Options	Construction
<p>MOUNTING OPTIONS: See mounting option page</p> <p><i>Note: Other brackets for other manufactures stations are available. Contact your KnollExtra Representative for more information.</i></p>	<p><i>Panel, stanchion and wall-mounted brackets:</i></p> <p>Wall, stanchion, or panel-mounted brackets are included in the list price but must be specified separately. To specify appropriate panel-mounted bracket, consult the KnollExtra Bracket Chart on page 13 for appropriate suffix. For Equity panel-mounted applications, include an "EY" at end of base pattern number.</p> <p>Worksurface mounted bracket is for use with load bars and 6 1/2" slatboards only.</p>	<p><i>Note:</i> Slatboard is available in custom lengths of up to 96". 100 piece minimum per line item. Please note that for all lengths greater than 66", load bar will be painted, not anodized.</p> <p>Brackets are currently available for virtually every major office system. Panel-mounted brackets for other systems can be developed. Minimum of 100 sets per bracket. Tooling and set-up charges may be required.</p>
		<p>Corrosion-resistant T-6063-T5 painted or anodized aluminum. End caps are 11 gauge steel painted matte black. Bottom rail is filled with 1/2" Delrin plastic pellets to support papers on Info Rail.</p> <p><i>Worksurface-mounted bracket:</i> Die-cast aluminum painted black.</p> <p>All items manufactured in the United States.</p>

Orchestra® Universal System Accessories
 by Bruce Hannah & Ayse Birsal
 mounting options

product	description
Mounting Options 	Panel Mounted Bracket (Deep Universal only). Based on 1" centers. Set of 2.*
	Panel Mounted Bracket (Dividends Panel only). Set of 2.*
	Panel Mounted Bracket (Equity only). Set of 2.*
	Panel Mounted Bracket (Morrison only). Set of 2.*
	Panel Mounted Bracket (Reff only). Set of 2.*
	Panel Mounted Bracket (Shallow Universal only). Based on 1" centers. Set of 2.*
	Stanchion-Mounted Bracket (Calibre only). Set of 2.*
	Stanchion-Mounted Bracket (Currents workshelf and stanchion). Set of 2.*
	Stanchion-Mounted Bracket (Dividends only). Set of 2.*
	Stanchion-Mounted Bracket (Equity only). Set of 2.*
	Stanchion-Mounted Bracket (Morrison Network only). Set of 2.*
	Wall-Mounted Bracket. Set of 2.*
	Worksurface-Mounted Bracket. For load bars and 6 1/2" slatboards only. Set of 2. Black finish.

* No charge when ordered with Load Bar or Slatboard, configured in load bar and slatboard pattern numbers when ordered with load bars and slatboards.

Order Code	Ordering Information		
Example: OR-BKT-SM-A	<i>Specify:</i>	<i>MOUNTING OPTIONS:</i>	<i>Worksurface-mounted bracket:</i>
OR-BKT- Worksurface-mounted	1. Pattern number	<i>Panel, stanchion and wall-mounted brackets:</i>	Metal posts attach to underside of worksurface with C-clamp, raising Load Bar 10" above worksurface.
SM-A bracket		Wall, stanchion, or panel-mounted brackets are included in the list price but must be specified separately.	Usable on worksurfaces 7/8"-1 1/2" thick. Set of 2 brackets. For Load Bars wider than 66", order additional brackets. For use with load bars and 6 1/2" slatboards only.
			<i>KnollNow:</i> ➔ Denoted finishes available in the KnollNow Program. Maximum order quantity of 25 units per line item.

pattern no.	list price
OR-BKT-PM-B *	\$11.
OR-BKT-PM-DV *	11.
OR-BKT-PM-E *	12.
OR-BKT-PM-M *	11.
OR-BKT-PM-R *	11.
OR-BKT-PM-D *	11.
OR-BKT-PM-CE *	12.
OR-BKT-PM-CS *	23.
OR-BKT-PM-DS *	12.
OR-BKT-PM-ES *	12.
OR-BKT-PM-N *	12.
OR-BKT-WM *	20.
OR-BKT-SM-A	126.

Custom Options

Brackets are currently available for virtually every major office system. Panel-mounted brackets for other systems can be developed. Minimum of 100 sets per bracket. Tooling and set-up charges may be required. Contact your KnollExtra representative or Customer Service for complete pricing information.

Note: Other brackets for other manufacturers stations are available. Contact your KnollExtra Representative for more information.

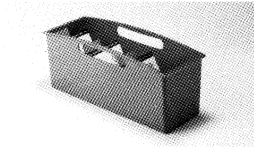
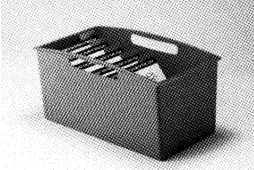
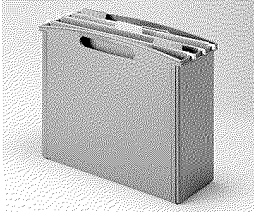
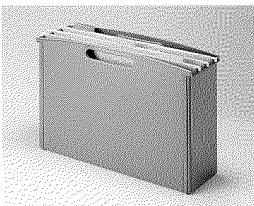
Construction

Worksurface-mounted bracket:
Die-cast aluminum painted black.
All items manufactured in the United States.

Design Awards

Permanent Collection of the Cooper-Hewitt, National Design Museum, Smithsonian Institution, 1994; ROSCOE Award, Interior Design Magazine, 1991; Outstanding Performance, Product Design Achievement Award, IBD Southern California Chapter, 1991; Bronze Award, IBD Product Design Competition, 1990.

Orchestra® Universal System Accessories
 by Brooks Rorke
 file totes

product	description	w	d	h	wgt.
Portable Small Diskette Tote 	<ul style="list-style-type: none"> • Holds up to 75 3 1/2" disks. • Suspends in standard hanging file drawer - up to 3 disk holders per drawer. • Integrated handles permit easy transport. • 4 adjustable divider inserts included for organizing and labeling disk files. • Ribbed floor holds disks in place. 	12"	4 1/2"	5"	1 lb. 1 oz.
Portable Large Diskette Tote 	<ul style="list-style-type: none"> • Holds up to 125 5 1/4" disks. • Holds CD Roms. • Suspends in standard hanging file drawer - up to 3 disk holders per drawer. • Integrated handles permit easy transport. • 4 adjustable divider inserts included for organizing and labeling disk files. • Ribbed floor holds disks in place. 	12"	6 1/2"	6"	1 lb. 3 ozs.
Portable Letter Size File Tote 	<ul style="list-style-type: none"> • Holds up to 15 letter size hanging files. • Suspends in standard hanging file drawer - up to 3 file holders per drawer. • Integrated handles permit easy transport. 	12"	4"	9 1/4"	1 lb. 2 ozs.
Portable Legal Size File Tote 	<ul style="list-style-type: none"> • Holds up to 15 legal size hanging files. • Suspends in standard hanging file drawer - up to 3 file holders per drawer. • Integrated handles permit easy transport. 	15"	4 1/4"	9 1/4"	1 lb. 6 ozs.

Order Code

Example: **ORCH-PF-SD-DG**

ORCH-PF- Small diskette tote

SD

DG Medium grey

Ordering Information

Specify:

1. Pattern number
2. Finish

opaque:

Black (BK)
 Medium Grey (DG)

translucent:

Clear (CL)

KnollNow: ➔

Denoted finishes available in the KnollNow Program. Maximum order quantity of 25 units per line item.

Note:

Portable Totes are for freestanding or file drawer-suspended use. They may not be rail-mounted.

Custom Options

Custom colors available upon sample chip approval. \$250 color match fee and 500 piece minimum per line item.

pattern no.	opaque	translucent
ORCH-PF-SD →	\$40.	\$51.
ORCH-PF-LD →	46.	53.
ORCH-PF-LT →	50.	63.
ORCH-PF-LG →	55.	74.

System top cap-mounted signage plate available, designed to customer specifications and system. Customer responsible for graphics. 100 unit minimum. Contact your KnollExtra representative or Customer Service for complete pricing information.

Construction

Opaque plastic finishes:
Sturdy polystyrene plastic in matte, textured finish. Fingerprint resistant.


Manufactured in the United States.

Design Awards

Permanent Collection of the Cooper-Hewitt, National Design Museum, Smithsonian Institution, 1994; ROSCOE Award, Interior Design Magazine, 1991; Outstanding Performance, Product Design Achievement Award, IBD Southern California Chapter, 1991; Bronze Award, IBD Product Design Competition, 1990.

Adjustable Keyboard Supports

Romeo and Juliet Platform/Mechanism Configurations

product	description	type	w	d	h	wgt.
Romeo and Juliet Platform and Mouse Pad 	Romeo 20" min., 28" max. x 11" x 1". 2"H with palm rest <ul style="list-style-type: none"> • Rigid plastic platform with steel stiffener plate for stable keying surface. • Flexible soft textured plastic overcoat. • Thin profile for extra knee room. Juliet A teardrop shaped mouse pad that swivels under the keyboard platform for easy storage. Soft plastic overcoat and lip keep mouse from sliding off during adjustments. See Mechanism Attributes below.	Romeo and Juliet with easy lift arm	20"-28"	23"	3 1/2"	18 lbs
		Romeo and Juliet with easy lift arm with pivot	20"-28"	23"	4"	19 lbs
		Romeo and Juliet with short easy lift arm (17 3/4" standard track length)	20"-28"			18 lbs
		Romeo and Juliet with sit/stand arm	20"-28"	24"	4 1/4"	20 lbs
		Romeo and Juliet with sit/stand arm with pivot	20"-28"	24"	4 3/4"	21 lbs

Juliet	Juliet with palm rest. Mounted for right-handed use.	9 1/2"	11"	1 1/8"	1 lb. 4 oz.
--------	--	--------	-----	--------	-------------



Order Code	Ordering Information	Application Notes	Construction
Example: OA-K-RJ-EL-BK OA-K-RJ-EL-BK Romeo and Juliet platform mounted on an easy lift mechanism	Specify: <ol style="list-style-type: none"> 1. Pattern number 2. Track size (if applicable) Track length: Options available on selected combinations only. See pattern numbers above. Easy lift and fit stands come with a 23" track standard. Minimum clearance required is the length of the track plus 1/2". Longer and shorter track lengths are available. Call your KnollExtra representative or customer service for options and pricing. KnollNow: ➔ Denoted products available in the KnollNow Program. Maximum order quantity of 25 units per line item.	Keyboard support provides users with a more comfortable working environment by allowing them to adjust the height and pitch of the platform holding their computer keyboard. When not in use, the Adjustable Keyboard Support stores the keyboard under the worksurface to free vital worksurface space. Worksurface should be mounted in the desk height position. Keyboard supports can be installed on steelcore worksurfaces. Contact your Call your KnollExtra representative or customer service for pricing information.	Romeo and Juliet Platform and Mouse pad: Molded rigid PVC base with flexible soft textured PVC surface. Steel stiffener plate at the base of the platform. Palm rests: Nylon upholstered palm rest of dual density polyurethane. Mechanisms: All arms are steel with a powdercoat finish. Tracks are steel with nylon glides. All items manufactured in the United States.

pattern no.	list price
OA-K-RJ-EL-BK →	\$454.
OA-K-RJ-EL-P-BK	509.
OA-K-RJ-SL-BK-(17, 19, 21, 23)	406.
OA-K-RJ-SS-BK →	541.
OA-K-RJ-SS-P-BK	595.
4B2-MP-WR	55.

Mechanism Attributes

Easy lift arm:

- Spring assist adjustment
- Knobless height adjustment
- Soft touch knob adjusts tilt-adjustment of tray tilt of up to (-)15°
- Variable height adjustment of 6.25"
- Pivots side to side 360°
- Black textured finish with black soft touch knob
- Mounts on virtually any worksurface

Easy lift arm with pivot:

Same features as the easy lift arm plus the keyboard platform moves independently from arm, allowing it to parallel the worksurface as the arm is moved laterally.

Sit/Stand arm:

- Torsion spring assist adjustment
- Knobless height adjustment
- Wand handle tilt adjustment (+)10° (-) 15°
- Variable height adjustment of 12.5"(up 6.5", down 6")
- Pivots side to side 360°
- Black textured finish.
- Mounts on virtually any worksurface

Sit/Stand arm with pivot:

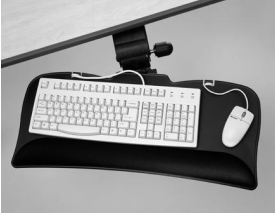
Same features as the Sit/Stand arm plus the keyboard platform moves independently from arm, allowing it to parallel the worksurface as the arm is moved laterally.

Short easy lift arm:

- Spring assist adjustment
- Knobless height adjustment
- Soft touch knob adjusts tilt from 15° to -15°
- Variable height adjustment of 5¹³/₁₆"
- Pivots side to side 360°
- Black textured metal finish

Adjustable Keyboard Supports

Prospero Platform/Mechanism Configurations

product	description	type	w	d	h	wgt.	
Prospero Platform 	Prospero <ul style="list-style-type: none"> • 26" x 11" x 1" • 2" with palm rest • Rigid plastic platform with steel stiffener plate for stable keying surface. • Flexible soft textured plastic overcoat. • Thin profile for extra knee room. • Included palm rest provides soothing support by displacement. • Sized to accommodate keyboard and mouse on the same plane. • No additional mousing surface required See Mechanism Attributes below	Prospero with easy lift arm	26"	23"	3 1/2"	18 lbs	
		Prospero with short easy lift arm					
		Prospero with sit/stand arm	26"	24"	4 1/4"	20 lbs	

Order Code	Ordering Information	Application Notes	Construction
Example: OA-K-PR-SL-BK-19 OA-K-PR-1B2 Prospero platform mounted on a pneumatic mechanism	Specify: <ol style="list-style-type: none"> 1. Pattern number 2. Track size (if applicable) Track length: Options available on selected combinations only. See pattern numbers above. Minimum clearance required is the length of the track plus 1/2". Longer and shorter track lengths are available. Call your KnollExtra representative or customer service for options and pricing. KnollNow: ➔ Denoted products available in the KnollNow Program. Maximum order quantity of 25 units per line item.	Keyboard support provides users with a more comfortable working environment by allowing them to adjust the height and pitch of the platform holding their computer keyboard. When not in use, the Adjustable Keyboard Support stores the keyboard under the worksurface to free vital worksurface space. Worksurface should be mounted in the desk height position. Keyboard supports can be installed on steelcore worksurfaces. Contact your Call your KnollExtra representative or customer service for pricing information.	Prospero: Molded rigid PVC base with flexible soft textured PVC surface. Steel stiffener plate at the base of the platform. Mechanisms: All arms are steel with a powdercoat finish. Tracks are steel with nylon glides. All items manufactured in the United States.

pattern no.	list price
OA-K-PR-EL-BK →	\$422.
OA-K-PR-SL-BK-(17, 19, 21, 23)	368.
OA-K-PR-SS-BK →	487.

Mechanism Attributes

Easy lift arm:

- Spring assist adjustment
- Knobless height adjustment
- Soft touch knob adjusts tilt-adjustment of tray tilt of up to (-)15°
- Variable height adjustment of 6.25"
- Pivots side to side 360°
- Recesses under worksurface along 23" track
- Black textured finish with black soft touch knob
- Mounts on virtually any worksurface

Easy lift arm with pivot:

Not standard with Prospero. Contact your KnollExtra representative or customer service for pricing information.

Sit/Stand arm:

- Torsion spring assist adjustment
- Knobless height adjustment
- Wand handle tilt adjustment (+)10° (-) 15°
- Variable height adjustment of 12.5"(up 6.5", down 6")
- Pivots side to side 360°
- Recesses under worksurface along 23" track
- Black textured finish.
- Mounts on virtually any worksurface

Sit/Stand arm with pivot:


Not standard with Prospero. Contact your KnollExtra representative or customer service for pricing information.

Short easy lift arm:

- Spring assist adjustment
- Knobless height adjustment
- Soft touch knob adjusts tilt from 15° to -15°
- Variable height adjustment of 5^{15/16}"
- Pivots side to side 360°
- Black textured metal finish

Adjustable Keyboard Supports

Caesar Platform/Mechanism Configurations

product	description	type	w	d	h	wgt.
Caesar Platform	<p>Caesar</p> <ul style="list-style-type: none"> • 18" x 9 1/2" x 1/4" • Sturdy metal platform attaches Microsoft keyboard to mechanism. • Suitable for both Natural and Elite styles of Microsoft keyboards. <p>See Mechanism Attributes below.</p>	Caesar with easy lift arm	18"	25"	2 1/2"	
		Caesar with sit/stand arm	18"	25"	4 1/4"	
Caesar Plate to retrofit to existing mechanisms						

Order Code	Ordering Information	Application Notes	Construction
<p>Example: OA-K-SS-MS</p> <p>OA-K-SS- Caesar platform on MS Sit/Stand mechanism</p>	<p><i>Specify:</i></p> <p>1. Pattern number</p> <p>All supports come with a 23" length track. Minimum clearance required is the length of the track plus 1/2". Longer and shorter track lengths are available. Call your KnollExtra representative or customer service for options and pricing.</p>	<p>Keyboard support provides users with a more comfortable working environment by allowing them to adjust the height and pitch of the platform holding their computer keyboard. When not in use, the Adjustable Keyboard Support stores the keyboard under the worksurface to free vital worksurface space.</p> <p>Worksurface should be mounted in the desk height position.</p> <p>Keyboard supports can be installed on steelcore worksurfaces. Contact your KnollExtra representative or customer service for pricing information.</p>	<p><i>Caesar:</i> Black textured powdercoated steel plate</p> <p><i>Mechanisms:</i> All arms are steel with a powdercoat finish. Tracks are steel with nylon glides.</p> <p>All items manufactured in the United States.</p> <p>Microsoft® is a registered trademark of the Microsoft Corporation.</p>

pattern no.	list price
OA-K-EL-MS	\$335.
OA-K-SS-MS	433.

OA-K-MS	76.
----------------	-----

Mechanism Attributes

Easy lift arm:

- Spring assist adjustment
- Knobless height adjustment
- Soft touch knob adjusts tilt adjustment of tray tilt of up to (-)15°
- Variable height adjustment of 6.25"
- Pivots side to side 360°
- Recesses under worksurface along 23" track
- Black textured finish with black soft touch knob
- Mounts on virtually any worksurface

Easy lift arm with pivot:
Not standard with Caesar. Contact your KnollExtra representative or customer service for pricing information.

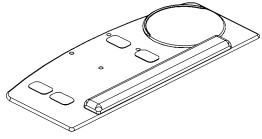
Sit/Stand arm:

- Torsion spring assist adjustment
- Knobless height adjustment
- Ratchet handle tilt adjustment (+)10° (-) 15°
- Variable height adjustment of 12.5" (up 6.5", down 6")
- Pivots side to side 360°
- Recesses under worksurface along 23" track
- Black textured finish.
- Mounts on virtually any worksurface

Sit/Stand arm with pivot:
Not standard with Caesar. Contact your KnollExtra representative or customer service for pricing information.

Adjustable Keyboard Supports

Act I

product	description	type	w	d	h mdf	h phn	wgt.
	Act I keyboard platform	with Easy Lift	26 ³ / ₄ "	11 ¹ / ₂ "	³ / ₈ "	¹ / ₄ "	17 lbs.
	Act I keyboard platform	with Easy Lift and Pivot	26 ³ / ₄ "	11 ¹ / ₂ "	³ / ₈ "	¹ / ₄ "	17 lbs.
	Act I keyboard platform	with Short Easy Lift	26 ³ / ₄ "	11 ¹ / ₂ "	³ / ₈ "	¹ / ₄ "	17 lbs.
	Act I keyboard platform	with Short Easy Lift and Pivot	26 ³ / ₄ "	11 ¹ / ₂ "	³ / ₈ "	¹ / ₄ "	17 lbs.
	Act I keyboard platform	with Sit-Stand	26 ³ / ₄ "	11 ¹ / ₂ "	³ / ₈ "	¹ / ₄ "	17 lbs.
	Act I keyboard platform	with Sit-Stand and Pivot	26 ³ / ₄ "	11 ¹ / ₂ "	³ / ₈ "	¹ / ₄ "	17 lbs.
	Act I keyboard platform	with Sit-Stand and Pivot	26 ³ / ₄ "	11 ¹ / ₂ "	³ / ₈ "	¹ / ₄ "	17 lbs.

Order Code	Ordering Information	Application Notes	Construction
Example: OAK-A1-W-SS-BK-23			
OAK Office automation keyboard	When you specify, you will be prompted to indicate either MDF (W) or phenolic (P).	<p>Keyboard support provides users with a more comfortable working environment by allowing them to adjust the height and pitch of the platform holding their computer keyboard. When not in use, the Adjustable Keyboard Support stores the keyboard under the worksurface to free vital worksurface space.</p> <p>Worksurface should be mounted in the desk height position.</p> <p>Keyboard supports can be installed on steelcore worksurfaces. Contact your Call your KnollExtra representative or customer service for pricing information.</p>	<p>Board is either MDF or phenolic.</p> <p>Wristrest is foam-filled vinyl on MDF board.</p> <p>Mousepad is lycra covered polyurethane.</p> <p>Mechanism: All arms are steel with a powder-coated finish. Tracks are steel with nylon glides.</p>
A1 Act I	Track length options are 17, 19, 21, 23 and 26 inches.		
W Wood	Standard color is black.		
SS Sit-Stand mechanism	Minimum clearance required is the length of the track plus ¹ / ₂ ".		
BK Black			
23 Track length of 23 inches			

pattern no.	list
OAK-A1-()-EL-BK-()	\$341.
OAK-A1-()-EL-BK-()-PT	397.
OAK-A1-()-SL-BK-()	319.
OAK-A1-()-SL-BK-()-PT	375.
OAK-A1-()-SS-BK-()	427.
OAK-A1-()-SS-BK-()-PT	484.

Mechanism Attributes

Easy lift arm:

- Spring assist adjustment
- Knobless height adjustment
- Soft touch knob adjusts tilt adjustment of tray tilt of up to (-)15°
- Variable height adjustment of 6.25"
- Pivots side to side 360°
- Black textured finish.
- Mounts on virtually any worksurface

Sit/Stand arm:

- Torsion spring assist adjustment
- Knobless height adjustment
- Wand handle tilt adjustment (+)10° (-) 15°
- Variable height adjustment of 12.5"(up 6.5", down 6")
- Pivots side to side 360°
- Black textured finish.
- Mounts on virtually any worksurface

Short easy lift arm:

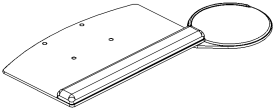
- Spring assist adjustment
- Knobless height adjustment
- Soft touch knob adjusts tilt from 15° to -15°
- Variable height adjustment of 5¹³/₁₆"
- Pivots side to side 360°
- Black textured metal finish

Pivot:

- Addition of pivot allows keyboard to move independently from arm, allowing it to parallel the worksurface as the arm is moved laterally.

Adjustable Keyboard Supports

Act II

product	description	type	w	d	h mdf	h phn	wgt.
Act II 	Act II keyboard platform	with Easy Lift	19"	11 1/2"	1/4"		
	Act II keyboard platform	with Easy Lift and Pivot	19"	11 1/2"	1/4"		
	Act II keyboard platform	with Short Easy Lift	19"	11 1/2"	1/4"		
	Act II keyboard platform	with Short Easy Lift and Pivot	19"	11 1/2"	1/4"		
	Act II keyboard platform	with Sit-Stand	19"	11 1/2"	1/4"		
	Act II keyboard platform	with Sit-Stand and Pivot	19"	11 1/2"	1/4"		

Order Code	Ordering Information	Application Notes	Construction
Example: OAK-A2-P-1-SS-BK-23	Track length options are 17, 19, 21, 23 and 26 inches.	Keyboard support provides users with a more comfortable working environment by allowing them to adjust the height and pitch of the platform holding their computer keyboard. When not in use, the Adjustable Keyboard Support stores the keyboard under the worksurface to free vital worksurface space. Worksurface should be mounted in the desk height position. Keyboard supports can be installed on steelcore worksurfaces. Contact your Call your KnollExtra representative or customer service for pricing information.	Board is phenolic. Wristrest is foam-filled vinyl on MDF board. Mousepad is lycra covered polyurethane. Mechanism: All arms are steel with a powder-coated finish. Tracks are steel with nylon glides.
OAK Office automation keyboard	Standard color is black.		
A2 Act 2	Minimum clearance required is the length of the track plus 1/2".		
P phenolic (standard)			
1 Mouse pad comes standard on right side			
SS Sit-Stand mechanism			
BK Black is standard color			
23 Track length of 23 inches			

pattern no.	list
OAK-A2-P-1-EL-BK-()	\$368.
OAK-A2-P-1-EL-BK-()-PT	424.
OAK-A2-P-1-SL-BK-()	346.
OAK-A2-P-1-SL-BK-()-PT	402.
OAK-A2-P-1-SS-BK-()	454.
OAK-A2-P-1-SS-BK-()-PT	511.

Mechanism Attributes

Easy lift arm:

- Spring assist adjustment
- Knobless height adjustment
- Soft touch knob adjusts tilt adjustment of tray tilt of up to (-)15°
- Variable height adjustment of 6.25"
- Pivots side to side 360°
- Black textured finish.
- Mounts on virtually any worksurface

Sit/Stand arm:

- Torsion spring assist adjustment
- Knobless height adjustment
- Wand handle tilt adjustment (+)10° (-) 15°
- Variable height adjustment of 12.5"(up 6.5", down 6")
- Pivots side to side 360°
- Black textured finish.
- Mounts on virtually any worksurface

Short easy lift arm:




- Spring assist adjustment
- Knobless height adjustment
- Soft touch knob adjusts tilt from 15° to -15°
- Variable height adjustment of 5¹³/₁₆"
- Pivots side to side 360°
- Black textured metal finish

Pivot:

- Addition of pivot allows keyboard to move independently from arm, allowing it to parallel the worksurface as the arm is moved laterally.

Adjustable Keyboard Supports

Mousing Solutions

product	description	type	w	d	h	wgt.
Juliet Mouse Pad 	<ul style="list-style-type: none"> • Teardrop shaped mousing surface swivels under the keyboard platform. • Attaches to the underside of the platform. • Soft plastic overcoat keeps the mouse from sliding during adjustments. 		11"	10"	1 1/2"	1 lb. 3 oz.
		for use with Caesar platform	11"	10"	1 1/2"	1 lb. 3 oz.
Juliet Palm Rest 	<ul style="list-style-type: none"> • Palm rest to retrofit to existing mouse pad. • Palm rest provides soothing support. 		6"	2 1/4"	1/2"	1 oz.
Over ten-key mouse pad 	<ul style="list-style-type: none"> • Mouse flips over ten-keypad. • Tension fit allows users to adjust tilt • Generous size pad for easy mousing • For use with Romeo platform only (platforms manufactured from 2002 on) 	for use with Romeo only				

Order Code

Example: **4B2-MP**
4B2-MP Juliet mouse pad

Ordering Information

Specify:

1. Pattern number

Not all mousing solutions are appropriate with all platforms.

Application Notes

➔ *KnollNow:*
 Denoted products available in the KnollNow Program. Maximum order quantity of 25 units per line item.

Construction

Worksurface mounted surf mousepad:
 Black painted steel mechanism mounted with hard surface backed surf mouse pad.

Juliet mouse pad:
 30% Glass filled molded black rigid PVC base with black flexible soft textured PVC surface for improved mouse tracking.

Juliet palm rest:
 Nylon upholstered palm rest is dual density polyurethane. The gel beneath the fabric, nominally .65", is formulated to provide soothing support.

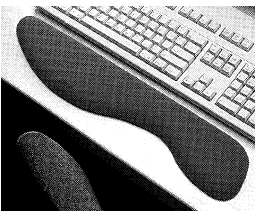

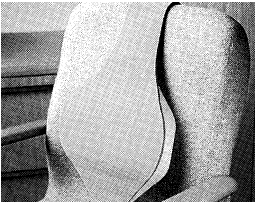
pattern no.	list price
4B2-MP →	\$35.
4B2-MP-MS	44.

4B2-WR	20.
---------------	-----

OAK-OTK-MP	37.
-------------------	-----

Freestanding Surf® Ergonomic Accessories

by Ross Lovegrove & Stephen Peart

product	description	type	w	d	h	wgt.
Wrist Rest 	<ul style="list-style-type: none"> • Soft, biomorphic form reduces strain on wrist. • Long, radial shape with single straight edge ensures a tightfit with standard size keyboards. • Gel pad for greater use comfort. 		19"	4 1/8"	1"	7 ozs.
Mouse Pad 	<ul style="list-style-type: none"> • Waterfall edges maximize mouse surface. • Non-handed shape allows for a snug fit on either side of keyboard. 		19"	9 5/8"	1"	3 lbs. 6 ozs.
Lumbar Support 	<ul style="list-style-type: none"> • Self-adjusts over any seat back. • Heat and pressure reactive foam responds to individual user. • Support returns to original form within 10 seconds after use. • Neoprene nylon outer skin allows body to breathe comfortably. 		12 1/2"	30 3/4"	2 5/8"	1 lbs. 10 ozs.

Order Code
Example: SF-WR-FS-BK-G
SF-WR-FS Wrist rest
BK Black

Ordering Information
<i>Specify:</i>
1. Pattern number
2. Finish
<i>Neoprene nylon finishes:</i>
Black (BK) →
<i>Surf Board painted finishes:</i>
Soft Grey (E)
Medium Metallic Grey (J)
Soft Touch Light Grey (GS)
Soft Touch Black (BS) →
<i>KnollNow:</i> →
Denoted finishes available in the KnollNow program. Maximum order quantity of 25 units per line item.

Ergonomic Value
The Surf Collection wrist rest, mouse pad, and lumbar support play a critical role in workplace ergonomics. Proper use of these pieces helps users maintain the body neutral position, reducing harmful strain on muscles and joints.
The collection's design advantage is in its simplicity. These accessories are extraordinarily versatile and flexible, responding to the individual needs of the specific user, unlike over-engineered mechanical pieces.

Each piece in the Surf Collection is a "footprint form," derived from natural ergonomic movements. No sharp edges or angles are used. As a result, the accessories can be approached by the user from any direction. The Surf soft, biomorphic shapes echo the curves and contours of the human body.

Lumbar support note:
Back problems are the second leading cause of lost work time after the common cold. Most back rests utilize rigid, unyielding materials, ignoring the diversity of human form and movement.

pattern no.	list price
SF-WR-FS-(BK)-G →	\$79.

SF-MP-FS-(BK)-G →	74.
-------------------	-----

SF-LS →	217.
---------	------

General Notes

The Surf Lumbar Support rests loosely over the chair like a saddle bag, held in place by a counter balance weight. The piece is easily adjusted up or down, to the preference of the user.

The supports high performance patented foam molds itself to both the user and the chair back. As the user moves throughout the workday, the foam responds in kind, continuously resculpting itself around the user's body. When body pressure is removed, the lumbar support returns to its original form within 10 seconds, ready for the next user.

Construction

Surf Board:
Rigid steel plate with 1" thick rolled front detail. Black rubber bumpers and non-scuffing felt back.

Wrist rest and mouse pad:
Nylon upholstered dual-density polyurethane. Gel beneath fabric, nominally .65", is formulated to provide soothing support by displacement.

Lumbar support:
High memory, heat-reactive patented polyurethane foam developed for high performance use in military fighter pilot seats. Covered with wear-resistant, closed cell Neoprene and a bright colored, breathable nylon outer skin. Die-cast zinc counter-balance weight.

All items manufactured in the United States.

Design Awards


First place, Interior Design Product Award, ASID, 1994. High Design Quality Red Dot Award, Design Zentrum, Germany, 1994.

Lumbar support:
Honorable Mention, Furniture, *ID Magazine* Annual Design Review, 1994.

Surf Board:
Best of Category Award, Consumer Products, *ID Magazine* Annual Design Review, 1994.

Freestanding Surf® Ergonomic Accessories

by Ross Lovegrove & Stephen Peart

product	description	type	w	d	h	wgt.
Surf Board VDT Corner 	<ul style="list-style-type: none"> • Fits any worksurface thickness or edge profile. • Creates generous 24" wide VDT corner, 14" from worksurface corner. • Can be adjusted to any angle, or removed when not needed. • Integral non-handed mouse pad. • Felt back and rubber bumpers protect worksurface. 	Metallic finish	41 1/2"	16 1/2"	1"	14 lbs
		Soft touch finish	41 1/2"	16 1/2"	1"	14 lbs

Order Code	Ordering Information	Ergonomic Value
Example: SF-WR-FS-BK-G SF-WR-FS Wrist rest BK Black	<p><i>Specify:</i></p> <ol style="list-style-type: none"> 1. Pattern number 2. Finish <p><i>Neoprene nylon finishes:</i> Black (BK) ➔</p> <p><i>Surf Board painted finishes:</i> Soft Grey (E) Medium Metallic Grey (J) Soft Touch Light Grey (GS) Soft Touch Black (BS) ➔</p> <p><i>KnollNow:</i> ➔ Denoted finishes available in the KnollNow program. Maximum order quantity of 25 units per line item.</p>	<p>The Surf Collection wrist rest, mouse pad, and lumbar support play a critical role in workplace ergonomics. Proper use of these pieces helps users maintain the body neutral position, reducing harmful strain on muscles and joints.</p> <p>The collection's design advantage is in its simplicity. These accessories are extraordinarily versatile and flexible, responding to the individual needs of the specific user, unlike over-engineered mechanical pieces.</p> <p><i>Lumbar support note:</i> Back problems are the second leading cause of lost work time after the common cold. Most back rests utilize rigid, unyielding materials, ignoring the diversity of human form and movement.</p>

pattern no.	list price
SF-SB-(E, J)	\$236.
SF-SB-(GS, BS) →	298.

General Notes

The Surf Lumbar Support rests loosely over the chair like a saddle bag, held in place by a counter balance weight. The piece is easily adjusted up or down, to the preference of the user.

The supports high performance patented foam molds itself to both the user and the chair back. As the user moves throughout the workday, the foam responds in kind, continuously resculpting itself around the user's body. When body pressure is removed, the lumbar support returns to its original form within 10 seconds, ready for the next user.

Construction

Surf Board:
Rigid steel plate with 1" thick rolled front detail. Black rubber bumpers and non-scuffing felt back.

Wrist rest and mouse pad:
Nylon upholstered dual-density polyurethane. Gel beneath fabric, nominally .65", is formulated to provide soothing support by displacement.

Lumbar support:
High memory, heat-reactive patented polyurethane foam developed for high performance use in military fighter pilot seats. Covered with wear-resistant, closed cell Neoprene and a bright colored, breathable nylon outer skin. Die-cast zinc counter-balance weight.

All items manufactured in the United States.

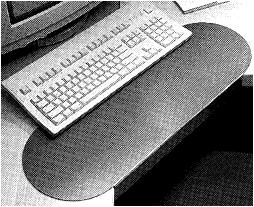
Design Awards

First place, Interior Design Product Award, ASID, 1994. High Design Quality Red Dot Award, Design Zentrum, Germany, 1994.

Lumbar support:
Honorable Mention, Furniture, *ID Magazine* Annual Design Review, 1994.

Surf Board:
Best of Category Award, Consumer Products, *ID Magazine* Annual Design Review, 1994.

Freestanding Ergonomic Accessories

product	description	type	w	d	h	wgt.
	<ul style="list-style-type: none"> • Racetrack-shaped sleeve slides over worksurface to create VDT corner. • Creates 17³/₈" wide VDT corner, 9" from worksurface corner. • Can be adjusted to any angle, or removed when not needed. • Heavy-gauge steel with felt backing to prevent scuffing. • 1¹/₄", 1³/₄" and 2¹/₂" worksurface thicknesses. • 1/4" screw holes on underside for optional attachment to worksurface. • Available in two metallic and two soft-touch finishes. 	Metallic finish	26 ³ / ₄ "	9 ¹ / ₈ "	1 ¹ / ₄ "-2 ¹ / ₂ "	3 lbs.
		Soft touch finish	26 ³ / ₄ "	9 ¹ / ₈ "	1 ¹ / ₄ "-2 ¹ / ₂ "	3 lbs.
Adjustable Foot Rest	<ul style="list-style-type: none"> • Self-adjusts +30°/-30°. • Durable, ribbed rubber platform. 		17 ¹ / ₈ "	12"	3 ⁷ / ₈ "	7 lbs. 14 ozs.

Order Code

Example: OA-SLV-A-E
OA-SLV VDT sleeve
A 1 ¹ / ₄ " sleeve
E Soft grey finish

Ordering Information

Specify:

1. Pattern number
2. Thickness (VDT sleeve only)
3. Finish

VDT sleeve worksurface thicknesses:
 1¹/₄" (A): Equity, Morrison, Reff →
 1³/₄" (B): Morrison, Reff →
 2¹/₂" (C): Reff

VDT sleeve finishes:
 Soft Grey (E)
 Medium Metallic Grey (J)
 Soft Touch Light Grey (GS)
 Soft Touch Black (BS) →

KnollNow: →
 1¹/₄" and 1³/₄" thick VDT sleeve in soft touch black available in the KnollNow Program. Maximum order quantity of 25 units per line item.

Custom Options

Custom colors available upon sample chip approval. Contact your KnollExtra representative or Customer Service for complete pricing information.

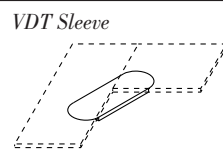
pattern no.	list price
OA-SLV(A,B,C)-(E, J)	\$167.
OA-SLV(A,B,C)-(GS, BS) →	217.

OA-FR-BK	181.
----------	------

Construction

VDT sleeve:
Heavy-gauge steel in painted finish.
Felt backing protects worksurface.
Manufactured in the United States.


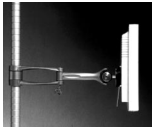
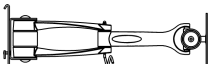
Adjustable foot rest:
Black rubber platform. Polished
chrome frame.
Manufactured in Sweden.



Colebrook Bosson Saunders for KnollExtra

Wishbone Flat Panel Monitor Support System

standard arm

product	description	type	w	d	h	wgt.
Wishbone Kit 	<ul style="list-style-type: none"> • Easy order kit. Wishbone kit includes everything needed to mount one flat panel monitor arm to a worksurface: Standard arm, Post, O-ring, Cable management clip, Table clamp. 	Wishbone kit with fast release option Wishbone kit with no fast release				
<i>monitor not included (typical)</i>						
Standard Arm Post Mount 	<ul style="list-style-type: none"> • Adjusts at four joints. • Allows user to rotate arm 360° at pole connection. • Allows user to tilt monitor face up and down 180° and pivot monitor left and right. • Center hinge provides depth/location flexibility. • Generous arm reach - approximately 17 inches depending on mounting option. 	Standard wishbone arm, post mount with fast release feature Standard wishbone arm, post mount with no fast release				
<i>Post mount with fast release</i>						
Standard Arm Slatwall Mount * 	<ul style="list-style-type: none"> • Adjusts at four joints. • Allows user to rotate arm 180° at slatwall. • Allows user to tilt monitor face up and down 180° and pivot monitor left and right. • Center hinge provides depth/location flexibility. • Generous arm reach - approximately 17 inches depending on mounting option. 	Standard wishbone arm, Knoll Slatboard / Slatwall Mount with fast release feature Standard wishbone arm, Knoll Slatboard / Slatwall Mount with no fast release				



- The Wishbone system allows for a great flexibility in the mounting and adjustment of flat panel monitors. The system is particularly proficient at mounting multiple monitors easily to tables and system furniture.
- All arm options...
 - Will mount to VESA compliant flat panel monitors
 - Will hold monitors of weights up to 22 lbs.
 - Are lightweight and durable.
 - Are available with fast release option (see notes below for fast release attributes).
 - Allow monitor to lie relatively flat against tool bar, Currents slatwall, or panel.

Order Code	Ordering Information	Mounting Information	* Slatwall Mount Note
Example: WSH-01-PT-SR-K-BK WSH-01-PT-SR-K Wishbone standard kit BK Black	<i>Specify:</i> <ol style="list-style-type: none"> 1. Pattern number 2. Finish where required 3. Mounting pattern number(s) where required. <p>Kits and Currents slatwall mount arms do not require any additional mounting specification.</p> <p>Additional mounting pieces must be specified for post-mount arms and toolbar-mount arms.</p> <p><i>Finish options (when applicable):</i> Silver (SV) Black (BK)</p>	<p><i>Screen Mounting:</i> All wishbone arms are compatible with the international VESA standard adopted by most panel manufacturers.</p> <p>Knoll and its dealers will not take the responsibility for mounting the monitor to the arm. The end user's IT department must confirm VESA mounting compliance and mount the monitor to the arm using customer's own screws.</p>	<ul style="list-style-type: none"> • Works with all Knoll Slatboard and Slatwall profiles. • Load ratings vary across products and mounting approaches. Check Exchange for Wishbone Test Matrix. • Note: Orchestra Slatboard must be mounted to an architectural wall if Wishbone is to be mounted onto it.

pattern no.	list price
WSH-01-PT-FR-K-(BK, SV)	\$555.
WSH-01-PT-SR-K-(BK, SV)	467.
WSH-01-PT-FR-(BK, SV)	406.
WSH-01-PT-SR-(BK, SV)	317.
WSH-01-MP-FR	514.
WSH-01-MP-SR	425.

Office Automation Accessories

Cable Management:
Simple cable management for easy installation.

Cable Management Adjustment

Adjustment:
The Wishbone system offers a wide range of adjustment. Height adjustment is easily accomplished by lifting the arm and sliding the o-ring up and down post to the required height.

Construction

Wishbone:
Products are manufactured in diecast and extruded aluminum and glass reinforced acetal plastic.
O-ring is made of an elasticated polymer.
Wishbone product line is patented in the United States.

Design Awards


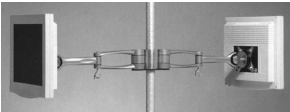
Fast Release:
Allows for swift installation and removal of flat panel monitors.
Allows user to rotate monitor face from a landscape to portrait orientation.

Workplace 1999- Best New Workplace Product
Spectrum 2000-Award for Design Excellence
Neocon 2000-Gold award in Recognition of Product Excellence.
Innovations Award-Citation of Excellence Sponsors By Building
Malaysian Furniture Fair-Design of the Year.

Colebrook Bosson Saunders for KnollExtra

Wishbone Flat Panel Monitor Support System

standard arm

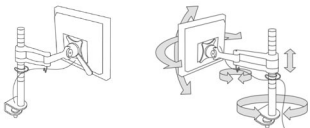
product	description	type	w	d	h	wgt.
Standard Arm Tool Bar Mount 	<ul style="list-style-type: none"> • Adjusts at four joints. • Allows user to rotate arm 180° at tool bar connection. • Allows user to tilt monitor face up and down 180° and pivot monitor left and right. • Center hinge provides depth/location flexibility. • Generous arm reach - approximately 17 inches depending on mounting option. 	Standard wishbone arm, tool bar mount with fast release feature Standard wishbone arm, tool bar mount with no fast release				
Back to Back Arm  <p><i>Post mount with fast release</i></p>	<ul style="list-style-type: none"> • Mounts two flat panel monitors to one pole. • Made up of two arms that each adjust at four joints. • Allows user to rotate both arms 270° at pole connection. • Allows user to tilt monitor faces up and down 180° and pivot monitor left and right. • Enables user to position monitors side by side or back to back. • Available in post mount version only (see notes below for ordering information) 	Back to back arm, post mount with fast release feature (includes 2 fast release arms and a back to back bracket) Back to back arm, post mount with no fast release (includes 2 no fast release arms and a back to back bracket)				

- The Wishbone system allows for a great flexibility in the mounting and adjustment of flat panel monitors. The system is particularly proficient at mounting multiple monitors easily to tables and system furniture.
- All arm options...
 - Will mount to VESA compliant flat panel monitors
 - Will hold monitors of weights up to 22 lbs.
 - Are lightweight and durable.
 - Are available with fast release option (see notes below for fast release attributes).
 - Allow monitor to lie relatively flat against tool bar, Currents slatwall, or panel.

Order Code	Ordering Information	Mounting Information	* Slatwall Mount Note
Example: WSH-01-PT-SR-K-BK WSH-01- Wishbone standard kit PT-SR-K BK Black	<i>Specify:</i> <ol style="list-style-type: none"> 1. Pattern number 2. Finish where required 3. Mounting pattern number(s) where required. <p>Kits and Currents slatwall mount arms do not require any additional mounting specification.</p> <p>Additional mounting pieces must be specified for post-mount arms and toolbar-mount arms.</p> <p><i>Finish options (when applicable):</i> Silver (SV) Black (BK)</p>	<i>Screen Mounting:</i> All wishbone arms are compatible with the international VESA standard adopted by most panel manufacturers. Knoll and its dealers will not take the responsibility for mounting the monitor to the arm. The end user's IT department must confirm VESA mounting compliance and mount the monitor to the arm using customer's own screws.	<ul style="list-style-type: none"> • Works with all Knoll Slatboard and Slatwall profiles. • Load ratings vary across products and mounting approaches. Check Exchange for Wishbone Test Matrix. • Note: Orchestra Slatboard must be mounted to an architectural wall if Wishbone is to be mounted onto it.

pattern no.	list price
WSH-01-TB-FR	\$536.
WSH-01-TB-SR	447.
<hr/>	
WSH-B2B-PT-FR-(BK, SV)	931.
WSH-B2B-PT-SR-(BK, SV)	754.

Cable Management:
Simple cable management for easy installation.



Cable Management

Adjustment

Adjustment:
The Wishbone system offers a wide range of adjustment. Height adjustment is easily accomplished by lifting the arm and sliding the o-ring up and down post to the required height.

Construction

Wishbone:
Products are manufactured in diecast and extruded aluminum and glass reinforced acetal plastic.

O-ring is made of an elasticated polymer.

Wishbone product line is patented in the United States.

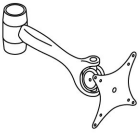
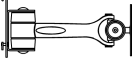
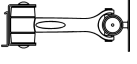
Design Awards

Workplace 1999- Best New Workplace Product
Spectrum 2000-Award for Design Excellence
Neocon 2000-Gold award in Recognition of Product Excellence.
Innovations Award-Citation of Excellence Sponsors By Building
Malaysian Furniture Fair-Design of the Year.

Colebrook Bosson Saunders for KnollExtra

Wishbone Flat Panel Monitor Support System

forearm

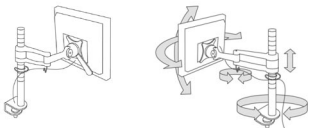
product	description	type	w	d	h	wgt.
Forearm Post Mount 	<ul style="list-style-type: none"> Moderate reach arm – Approximately 10 1/2" depending on mounting option. Adjusts at three joints. Allows user to tilt monitor face up and down 180° and pivot monitor left and right. Allows user to rotate arm 360° at pole connection. 	Forearm, post mount with fast release feature Forearm, post mount with no fast release				
Forearm Slatwall Mount * 	<ul style="list-style-type: none"> Moderate reach arm – Approximately 10 1/2" depending on mounting option. Adjusts at three joints. Allows user to tilt monitor face up and down 180° and pivot monitor left and right. Allows user to rotate arm 180° at slatwall. 	Forearm, Knoll Slatboard / Slatwall Mount with fast release feature Forearm, Knoll Slatboard / Slatwall Mount with no fast release				
Forearm Tool Bar Mount 	<ul style="list-style-type: none"> Moderate reach arm – Approximately 10 1/2" depending on mounting option. Adjusts at three joints. Allows user to tilt monitor face up and down 180° and pivot monitor left and right. Allows user to rotate arm 180° at tool bar connection. 	Forearm, tool bar mount with fast release feature Forearm, tool bar mount with no fast release				

Order Code	Ordering Information	Mounting Information	* Slatwall Mount Note
Example: WSH-02-PT-SR-BK WSH-02- Wishbone forearm PT-SR BK Black	<i>Specify:</i> <ol style="list-style-type: none"> Pattern number Finish where required Mounting pattern number(s) where required. <p>Kits and Currents slatwall mount arms do not require any additional mounting specification.</p> <p>Additional mounting pieces must be specified for post-mount arms and toolbar-mount arms.</p> <p><i>Finish options (when applicable):</i> Silver (SV) Black (BK)</p>	<p><i>Screen Mounting:</i> All wishbone arms are compatible with the international VESA standard adopted by most panel manufacturers.</p> <p>Knoll and its dealers will not take the responsibility for mounting the monitor to the arm. The end user's IT department must confirm VESA mounting compliance and mount the monitor to the arm using customer's own screws.</p>	<ul style="list-style-type: none"> Works with all Knoll Slatboard and Slatwall profiles. Load ratings vary across products and mounting approaches. Check Exchange for Wishbone Test Matrix. Note: Orchestra Slatboard must be mounted to an architectural wall if Wishbone is to be mounted onto it.

pattern no.	list price
WSH-02-PT-FR	\$322.
WSH-02-PT-SR	234.
WSH-02-MP-FR	431.
WSH-02-MP-SR	342.
WSH-02-TB-FR	452.
WSH-02-TB-SR	364.

Office Automation Accessories

Cable Management:
Simple cable management for easy installation.



Cable Management Adjustment

Adjustment:
The Wishbone system offers a wide range of adjustment. Height adjustment is easily accomplished by lifting the arm and sliding the o-ring up and down post to the required height.

Construction

Wishbone:
Products are manufactured in diecast and extruded aluminum and glass reinforced acetal plastic.

O-ring is made of an elasticated polymer.

Wishbone product line is patented in the United States.

Desing Awards

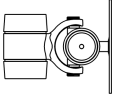
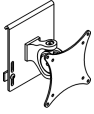


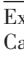
Fast Release:
Allows for swift installation and removal of flat panel monitors.
Allows user to rotate monitor face from a landscape to portrait orientation.

Workplace 1999- Best New Workplace Product
Spectrum 2000-Award for Design Excellence
Neocon 2000-Gold award in Recognition of Product Excellence.
Innovations Award-Citation of Excellence Sponsors By Building
Malaysian Furniture Fair-Design of the Year.

Colebrook Bosson Saunders for KnollExtra

Wishbone Flat Panel Monitor Support System

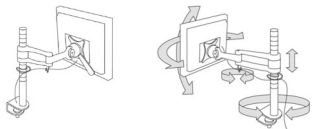
c-arm, posts and tool bar

product	description	type	dia	l	h	wgt.
 C-Arm Post Mount	<ul style="list-style-type: none"> • Cost-effective arm alternative for use when less adjustment is required. • Adjusts at two joints. • Allows user to tilt monitor face up and down, up to 180° depending on mounting, and pivot monitor left and right. 	C-arm, post mount with fast release feature				
		C-arm, post mount with no fast release				
 C-Arm Slatwall Mount *	<ul style="list-style-type: none"> • Cost-effective arm alternative for use when less adjustment is required. • Adjusts at two joints. • Allows user to tilt monitor face up and down, up to 180° depending on mounting, and pivot monitor left and right. 	C-arm, Knoll Slatboard / Slatwall Mount with fast release				
		C-arm, Knoll Slatboard / Slatwall Mount with no fast release				
 C-Arm Tool Bar Mount	<ul style="list-style-type: none"> • Cost-effective arm alternative for use when less adjustment is required. • Adjusts at two joints. • Allows user to tilt monitor face up and down, up to 180° depending on mounting, and pivot monitor left and right. 	C-arm, tool bar mount with fast release feature				
		C-arm, tool bar mount with no fast release				
 Post with O-Ring and Cable Management Clip	<ul style="list-style-type: none"> • Post with grooves in conjunction with o-ring allows for height adjustment of arms and tool bars. • O-ring is moved up and down pole to lock in height adjustment • Cable management clip provides simple cable management for easy installation. 	200 mm post	1/2"	7 7/8"		
		300 mm post	1/2"	11 7/8"		
		400 mm post	1/2"	15 7/8"		
300 mm shown						
 Extension Post with O-Ring and Cable Management Clip	<ul style="list-style-type: none"> • Screws into post. • Allows for vertical stacking of monitors and tool bars. • 400 mm post 		1/2"	15 7/8"		

Order Code	Ordering Information	Mounting Information	* Slatwall Mount Note
Example: WSH-PT-CLP-O-SV WSH-PT-CLP-O Wishbone post with clip and O-Ring SV Silver	Specify: 1. Pattern number 2. Finish where required 3. Mounting pattern number(s) where required. Kits and Currents slatwall mount arms do not require any additional mounting specification. Finish options (when applicable): Black (BK) Silver (SV)	Screen Mounting: All wishbone arms are compatible with the international VESA standard adopted by most panel manufacturers. Knoll and its dealers will not take the responsibility for mounting the monitor to the arm. The end user's IT department must confirm VESA mounting compliance and mount the monitor to the arm using customer's own screws.	<ul style="list-style-type: none"> • Works with all Knoll Slatboard and Slatwall profiles. • Load ratings vary across products and mounting approaches. Check Exchange for Wishbone Test Matrix. • Note: Orchestra Slatboard must be mounted to an architectural wall if wishbone is to be mounted onto it.

pattern no.	list price
WSH-03-PT-FR	\$296.
WSH-03-PT-SR	208.
WSH-03-SW-FR	406.
WSH-03-SW-SR	291.
WSH-03-TB-FR	296.
WSH-03-TB-SR	208.
WSH-200-PT-CLP-O-(BK, SV)	92.
WSH-300-PT-CLP-O-(BK, SV)	98.
WSH-PT-CLP-O-(BK, SV)	102.
WSH-XP-CLP-O-(BK, SV)	103.

Cable Management:
Simple cable management for easy installation.



Cable Management

Adjustment

Adjustment:
The Wishbone system offers a wide range of adjustment. Height adjustment is easily accomplished by lifting the arm and sliding the o-ring up and down post to the required height.

Construction

Wishbone:
Products are manufactured in diecast and extruded aluminum and glass reinforced acetal plastic.



O-ring is made of an elasticated polymer.

Wishbone product line is patented in the United States.

Fast Release:
Allows for swift installation and removal of flat panel monitors.

Allows user to rotate monitor face from a landscape to portrait orientation.

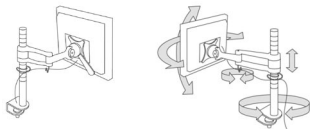
Colebrook Bosson Saunders for KnollExtra
Wishbone Flat Panel Monitor Support System
c-arm, posts and tool bar

product	description	type	dia	l	h	wgt.
Extension Posts 	<ul style="list-style-type: none"> Screws into post. Allows for additional height adjustment. 		1/2"	11 7/8"		
			1/2"	7 15/16"		
200 mm shown						
Tool Bars 	<ul style="list-style-type: none"> Sturdy construction tool bars can support the weight of multiple arms and monitors. Note that posts connect to tool bars only at the end of the bars. Review of table/desk support locations is necessary to assure that the post clamps will mount at the required location. 	Tool bar – 36"				
		Tool bar – 48"				
		Tool bar – 60"				

Order Code	Ordering Information	Mounting Information	* Slatwall Mount Note
Example: WSH-PT-CLP-O-SV WSH-PT-CLP-O Wishbone post with clip and O-Ring SV Silver	<i>Specify:</i> 1. Pattern number 2. Finish where required 3. Mounting pattern number(s) where required. Kits and Currents slatwall mount arms do not require any additional mounting specification. <i>Finish options (when applicable):</i> Black (BK) Silver (SV)	<i>Screen Mounting:</i> All wishbone arms are compatible with the international VESA standard adopted by most panel manufacturers. Knoll and its dealers will not take the responsibility for mounting the monitor to the arm. The end user's IT department must confirm VESA mounting compliance and mount the monitor to the arm using customer's own screws.	<ul style="list-style-type: none"> Works with all Knoll Slatboard and Slatwall profiles. Load ratings vary across products and mounting approaches. Check Exchange for Wishbone Test Matrix. Note: Orchestra Slatboard must be mounted to an architectural wall if wishbone is to be mounted onto it.

pattern no.	list price
WSH-XP-300-(BK, SV)	\$99.
WSH-XP-200-(BK, SV)	93.
<hr/>	
WSH-TB-36	270.
WSH-TB-48	292.
WSH-TB-60	314.

Cable Management:
Simple cable management for easy installation.



Cable Management

Adjustment

Adjustment:
The Wishbone system offers a wide range of adjustment. Height adjustment is easily accomplished by lifting the arm and sliding the o-ring up and down post to the required height.

Construction

Wishbone:
Products are manufactured in diecast and extruded aluminum and glass reinforced acetal plastic.

O-ring is made of an elasticated polymer.

Wishbone product line is patented in the United States.

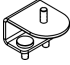


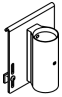

Fast Release:
Allows for swift installation and removal of flat panel monitors.

Allows user to rotate monitor face from a landscape to portrait orientation.

Colebrook Bosson Saunders for KnollExtra

Wishbone Flat Panel Monitor Support System

mounting brackets

product	description	w	d	h	diam
 Table Clamp	<ul style="list-style-type: none"> Mounts post to virtually any worksurface. between $\frac{3}{4}$" and $1\frac{1}{2}$" thick. Requires 2" clear space from edge of underside of worksurface for proper mounting. 	3 $\frac{1}{8}$ "	4 $\frac{1}{8}$ "	2 $\frac{1}{4}$ "	
 Table Clamp, Top Mount	<ul style="list-style-type: none"> Two piece clamp. Allows the installation of the table clamp on worksurfaces in panel systems that do not have access room between the worksurface and the panel. Ideal for retrofitting. Mounts post to virtually any worksurface. between $\frac{3}{4}$" and $1\frac{1}{2}$" thick. Requires 2" clear space from edge of underside of worksurface for proper mounting. 	3 $\frac{1}{8}$ "	4 $\frac{1}{8}$ "	3"	
 Currents Crown Flower Pot Bracket	<ul style="list-style-type: none"> Mounts a post to the Currents crown mount (must specify post separately). Allows for easy height adjustment. 	2 $\frac{3}{4}$ "	5"	4 $\frac{1}{4}$ "	
 Knoll Slatwall Flower Pot Bracket *	<ul style="list-style-type: none"> Mounts a post to a slatwall (must specify post separately). Allows for easy height adjustment. Mount only 1 monitor per 3' of slatwall. 	4 $\frac{1}{4}$ "	2 $\frac{1}{2}$ "	5"	
 Fixed Table Mount	<ul style="list-style-type: none"> Mounts Wishbone post to worksurface. Mounts using field drilled hole. 			$\frac{3}{16}$ "	3"

Order Code	Ordering Information	Mounting Information	* Slatwall Mounting Note
Example: WSH-CLMP-SV WSH- Table clamp CLMP SV Silver	<i>Specify:</i> <ol style="list-style-type: none"> Pattern number Finish where required Mounting pattern number(s) where required. <p>Kits and Currents slatwall mount arms do not require any additional mounting specification.</p> <p><i>Finish options (when required):</i> Black (BK) Silver (SV)</p>	<p><i>Screen Mounting:</i> All wishbone arms are compatible with the international VESA standard adopted by most panel manufacturers.</p> <p>Knoll and its dealers will not take the responsibility for mounting the monitor to the arm. The end user's IT department must confirm VESA mounting compliance and mount the monitor to the arm using customer's own screws.</p>	<ul style="list-style-type: none"> Works with all Knoll Slatboard and Slatwall profiles. Load ratings vary across products and mounting approaches. Check Exchange for Wishbone Test Matrix. Note: Orchestra Slatboard must be mounted to an architectural wall if wishbone is to be mounted onto it.

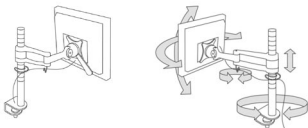
pattern no.	list price
WSH-CLMP-(BK, SV)	\$61.
WSH-CLMP-TM-(BK, SV)	75.
WSH-FPB-CCM	166.
WSH-FPB-CSL	106.
WSH-PTM-75-(BK, SV)	30.

Office Automation
Accessories

Construction

Cable Management:

Simple cable management for easy installation.



Cable Management

Adjustment

Wishbone:

Products are manufactured in diecast and extruded aluminum and glass reinforced acetal plastic.

Fast Release:

Allows for swift installation and removal of flat panel monitors.

Allows user to rotate monitor face from a landscape to portrait orientation.


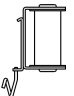
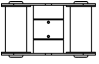


Adjustment:

The Wishbone system offers a wide range of adjustment. Height adjustment is easily accomplished by lifting the arm and sliding the o-ring up and down post to the required height.

Colebrook Bosson Saunders for KnollExtra

Wishbone Flat Panel Monitor Support System

mounting brackets

product	description	w	d	h	diam
 Spare Fast Release Monitor Plate	<ul style="list-style-type: none"> Mounts to back of spare monitor. Allows for speedy replacement of malfunctioning monitors. For use with fast release arms only. 	6"	9 ³ / ₈ "	1/2"	
 Toolbar Bracket	<ul style="list-style-type: none"> Bracket to mount Wishbone arms (Forearm, Wishbone standard arm, C-arm, Rotation) onto CBS toolbar 	2 ³ / ₁₆ "	2 ³ / ₄ "	3 ⁵ / ₁₆ "	
 Back to Back Bracket	<ul style="list-style-type: none"> Use with post and two arms to create back to back set up. 	6 ⁵ / ₈ "	2 ³ / ₄ "	3 ⁵ / ₈ "	
 Grommet Mount	<ul style="list-style-type: none"> Use with existing grommets on Morrison, Reff, Propeller desks. Can be retrofitted into existing worksurfaces that do not have a grommet hole. In that case, drill a 3¹/₄" diameter hole into surface. 			1/2"	4 ¹ / ₄ "
 Grommet Mount for Reference	<ul style="list-style-type: none"> To be used with Reference desks only. 			1/2"	4 ¹ / ₄ "

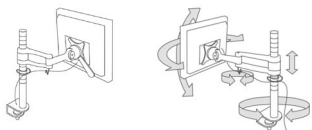
Order Code	Ordering Information	Mounting Information	* Slatwall Mounting Note
Example: WSH-CLMP-SV WSH- Table clamp CLMP SV Silver	<i>Specify:</i> <ol style="list-style-type: none"> Pattern number Finish where required Mounting pattern number(s) where required. <p>Kits and Currents slatwall mount arms do not require any additional mounting specification.</p> <p><i>Finish options (when required):</i> Black (BK) Silver (SV)</p>	<p><i>Screen Mounting:</i> All wishbone arms are compatible with the international VESA standard adopted by most panel manufacturers.</p> <p>Knoll and its dealers will not take the responsibility for mounting the monitor to the arm. The end user's IT department must confirm VESA mounting compliance and mount the monitor to the arm using customer's own screws.</p>	<ul style="list-style-type: none"> Works with all Knoll Slatboard and Slatwall profiles. Load ratings vary across products and mounting approaches. Check Exchange for Wishbone Test Matrix. Note: Orchestra Slatboard must be mounted to an architectural wall if wishbone is to be mounted onto it.

pattern no.	list price
WSH-MFR-(BK, SV)	\$78.
WSH-TB-BRKT	120.
WSH-B2B-(BK, SV)	187.
WSH-GRMT-(BK, SV)	99.
WSH-GRMT-R-(BK, SV)	99.

Office Automation
Accessories

Construction

Cable Management:
Simple cable management for easy installation.



Cable Management

Adjustment

Wishbone:
Products are manufactured in diecast and extruded aluminum and glass reinforced acetal plastic.

Fast Release:
Allows for swift installation and removal of flat panel monitors.
Allows user to rotate monitor face from a landscape to portrait orientation.

Adjustment:
The Wishbone system offers a wide range of adjustment. Height adjustment is easily accomplished by lifting the arm and sliding the o-ring up and down post to the required height.

Colebrook Bosson Saunders for KnollExtra
Wishbone Flat Panel Monitor Support System
mounting brackets

product	description	w	d	h	diam
Wall Mount flower pot bracket	<ul style="list-style-type: none"> Mounts post and arm to wall. 	2 ³ / ₄ "	2 ¹ / ₄ "	5 ³ / ₄ "	



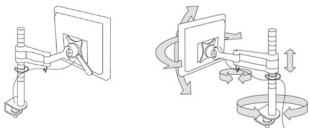
Order Code	Ordering Information	Mounting Information	* Slatwall Mounting Note
Example: WSH-CLMP-SV	<p><i>Specify:</i></p> <ol style="list-style-type: none"> 1. Pattern number 2. Finish where required 3. Mounting pattern number(s) where required. <p>Kits and Currents slatwall mount arms do not require any additional mounting specification.</p> <p><i>Finish options (when required):</i> Black (BK) Silver (SV)</p>	<p><i>Screen Mounting:</i> All wishbone arms are compatible with the international VESA standard adopted by most panel manufacturers.</p> <p>Knoll and its dealers will not take the responsibility for mounting the monitor to the arm. The end user's IT department must confirm VESA mounting compliance and mount the monitor to the arm using customer's own screws.</p>	<ul style="list-style-type: none"> • Works with all Knoll Slatboard and Slatwall profiles. • Load ratings vary across products and mounting approaches. Check Exchange for Wishbone Test Matrix. • Note: Orchestra Slatboard must be mounted to an architectural wall if wishbone is to be mounted onto it.
WSH-CLMP Table clamp			
SV Silver			

pattern no.

list price

WSH-FPB-WM**\$106.****Construction***Cable Management:*

Simple cable management for easy installation.



Cable Management

Adjustment

Wishbone:

Products are manufactured in diecast and extruded aluminum and glass reinforced acetal plastic.

Fast Release:

Allows for swift installation and removal of flat panel monitors.

Allows user to rotate monitor face from a landscape to portrait orientation.

Adjustment:

The Wishbone system offers a wide range of adjustment. Height adjustment is easily accomplished by lifting the arm and sliding the o-ring up and down post to the required height.

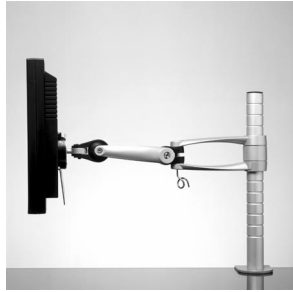
Colebrook Bosson Saunders for KnollExtra

Wishbone Rotation Flat Panel Monitor Support

product	description	type	app	w	d	h	wt.
Rotation	<ul style="list-style-type: none"> Two movement joints allow for maximum adjustability. A warp spring clutch at the elbow joint allows the user fingertip height adjustment in addition to the movement inherent in the standard Wishbone range. The movement joint at the screen allows for 210 degrees of vertical and 90 degrees of horizontal adjustment. The center (elbow) joint provides 300 degrees of horizontal and 210 degrees of vertical adjustment. Available in standard release only. 	Rotation, standard release arm	Arm only	2"	18"	3 1/2"	3 lbs.



Rotation kit	<ul style="list-style-type: none"> Easy to order kit. Includes everything needed to attach one flat panel monitor to a worksurface: Rotation arm, post, o-ring, cable management clip and table clamp. 	Rotation kit with standard release. 300 mm post	3"	4"	14"	2 lbs. 4 oz.
		Rotation kit with standard release. 400 mm post	3"	4"	18"	2 lbs. 8 oz.



Order Code	Ordering Information	Mounting Information	Construction
Example: WSH-ROT-400-PT-SR-K-SV	<i>Specify:</i>	All Wishbone arms are compatible with the International VESA Standards adopted by most flat panel manufacturers.	Products are constructed of die cast and extruded aluminum and glass reinforced acetal plastic. O ring is made of elastic polymer.
WSH-ROT Wishbone rotation	1. Pattern number	Knoll and its dealers will not accept responsibility for mounting the flat panel to the arm. The end user's IT department must confirm VESA mounting compliance and mount the flat panel using the customer's own screws.	Wishbone line is patented in the United States.
400-PT 400mm post	2. Finish when required		
SR Standard release	3. Mounting option pattern number(s) when required		
K kit - includes clamp mount	Kits do not require mounting option.		
SV Silver	Additional mounting pieces required for toolbar, back-to-back, slatwall, fixed table and grommet mounts.		
	<i>Finish options:</i> Black (BK) Silver (SV)		

pattern no.	list
WSH-ROT-PT-SR-(BK, SV)	\$562.

WSH-ROT-300-PT-SR-K-(BK, SV)	686.
-------------------------------------	------

WSH-ROT-400-PT-SR-K-(BK, SV)	711.
-------------------------------------	------

Colebrook Bosson Saunders for KnollExtra

Zorro Flat Panel Monitor Support

product	description	type	app	w	d	h	wgt.
Zorro	<ul style="list-style-type: none"> • Ideal for single users in highly visible areas or private office, Zorro's simple yet innovative design allows for full movement of the screen. • Carries up to 22 lbs in weight. • The movement joint at the screen allows for 210 degrees of vertical and 90 degrees of horizontal adjustment. • The elbow allows for 360 degrees of horizontal movement. 	Standard release / arm only	Arm only	2"	18"	10"	3 lbs.



Zorro post kit	<ul style="list-style-type: none"> • Easy to order kit. Includes everything needed to attach one flat panel monitor to a worksurface: Zorro arm, post and table clamp. • Post height is 200mm. 	Includes 200mm post, clamp and cable management	3"	4"	10"	2 lbs.
	<ul style="list-style-type: none"> • Easy to order kit. Includes everything needed to attach one flat panel monitor to a worksurface: Zorro arm, post and table clamp. • Post height is 300mm. 	Includes 300mm post, clamp and cable management	3"	4"	14"	2 lbs. 4 oz.
	<ul style="list-style-type: none"> • Easy to order kit. Includes everything needed to attach one flat panel monitor to a worksurface: Zorro arm, post and table clamp. • Post height is 400mm. 	Includes 400mm post, clamp and cable management	3"	4"	18"	2 lbs. 8 oz.



Order Code	Ordering Information	Mounting Information	Construction
Example: WSH-ZOR-200-PT-SR-K-BK	<i>Specify:</i>	All Wishbone arms are compatible with the International VESA Standards adopted by most flat panel manufacturers.	Products are constructed of die cast and extruded aluminum and glass reinforced acetal plastic. O ring is made of elastic polymer.
WSH-ZOR Zorro arm	1. Pattern number	Knoll and its dealers will not accept responsibility for mounting the flat panel to the arm. The end user's IT department must confirm VESA mounting compliance and mount the flat panel using the customer's own screws.	Wishbone line is patented in the United States.
200-PT 200mm post	2. Finish option when required		
SR Standard release	3. Mounting option pattern number when required		
K Kit - includes clamp mount	Zorro is designed to work primarily for with a single monitor on a post. Mounting options other than table clamp include; grommet mount and through-the-desk mount. In the case of optional mounting, the arm, post and mounting option need to be specified separately.		
BK Black			

pattern no.	list
WSH-ZOR-PT-SR-(BK, SV)	\$312.

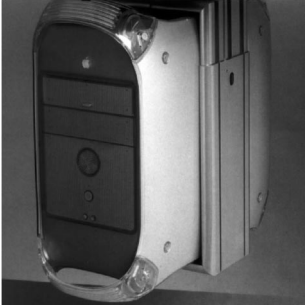
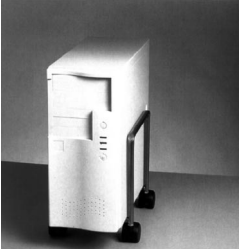
WSH-ZOR-200-PT-SR-K-(BK, SV)	442.
-------------------------------------	------

WSH-ZOR-300-PT-SR-K-(BK, SV)	447.
-------------------------------------	------

WSH-ZOR-400-PT-SR-K-(BK, SV)	467.
-------------------------------------	------

Worksurface Support

CPU Holders

product	description	type	w	d	h
Adjustable Metal CPU Clamp 	<ul style="list-style-type: none"> • Adjusts horizontally and vertically to fit virtually every CPU. • Mounts vertically or horizontally. • Rigid metal construction. • Rubber bumpers holds CPU securely in place. • Easy to install and remove. • Mounts directly to underside of worksurface. • Holds CPU fixed to one spot (for a sliding and rotating option specify track separately). • Color - silver • Maximum weight = 22 lbs. 	Large size - Holds CPUs as big as 22" x 9 1/4" and as small as 12" x 5 1/2"	varies	5 1/2"	varies
		Small size - Holds CPUs as big as 18" x 5 1/2" and as small as 10" x 3 1/4"	varies	5 1/2"	varies
Optional Track	<ul style="list-style-type: none"> • Mounts to underside of worksurface. • Allows unit to slide forward from under the desk. • Allows unit to rotate 360° for cable access. • Track has stop. Cannot use lock when order track. 	Optional track for CPU clamps	4 1/3"	21 1/4"	
Optional Lock	<ul style="list-style-type: none"> • Offers theft deterrence for fixed mounted adjustable metal CPU clamp. • Not for use with optional track mount. 	For use with large size metal CPU clamp			
		For use with small size metal CPU clamp			
Adjustable Mobile CPU Trolley	<ul style="list-style-type: none"> • Adjusts to hold CPUs as wide as 9 3/8" and as narrow as 4". • Holds CPUs at least 10 1/2" deep. • Made of sturdy steel tubing. • Includes four robust casters. 		varies	10.23"	11.8"
					

Order Code

Example: **CLAM-CPU-02**

CLAM-T

CLAM-CPU-02 Large Clamp

CLAM-T Slide and rotate track

Ordering Information

Specify:

1. Pattern number
2. Special track or lock if required

pattern no.	list price
CLAM-CPU-02	\$281.
CLAM-CPU-01	281.
CLAM-T	111.
CLAM-L-02	111.
CLAM-L-01	111.
CBS-MBL-CPU	206.

Construction

Clamp:

- Painted extruded aluminum.

Loop:

- Plastic woven sling.
- Glass filled nylon mechanism.

Jaw:

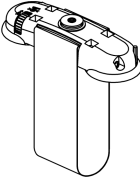
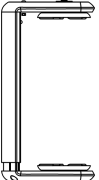
- Aluminum extrusion and die cast aluminum.

Adjustable Mobile Trolley:

- Epoxy polyester-coated tubular steel.

Worksurface Support

CPU Holders

product	description	type	w	d	h
 <p>Loop, CPU holder</p>	<ul style="list-style-type: none"> Removes the CPU from the desk and off the floor, away from potential damage from dust, feet and the vacuum cleaner. Can be fitted directly under the desk or with rotate mechanism. CPU is supported by webbing, which is tightened by a ratchet mechanism. Accepts most CPUs. Can hold up to 55 lbs. The Loop CPU holder cannot be locked. 	Min. CPU size: 11.4" x 3.5" Max. CPU size: 20" x 9.4"			
 <p>Jaw, CPU holder</p>	<ul style="list-style-type: none"> Takes the CPU off the floor away from potential damage from dust, feet and the vacuum cleaner. Enables a CPU to float below the desk. Allows almost any size CPU to be fitted speedily and effortlessly. Fit directly to desk or with slide and rotate mechanism. Holds up to 55 lbs. Includes rotate bracket. 	Min. CPU size: 11" x 3.5" Max. CPU size: 19.7" x 8.8"			

Order Code

Example: **CLAM-CPU-02**

CLAM-T

CLAM-CPU-02 Large Clamp

CLAM-T Slide and rotate track

Ordering Information

Specify:

1. Pattern number
2. Special track or lock if required

pattern no.	list price
CBS-LOOP-CPU	\$215.
CBS-LOOP-CPU-R	245.
CBS-JAW-CPU	305.
CBS-JAW-CPU-R	345.

Construction

Clamp:

- Painted extruded aluminum.

Loop:

- Plastic woven sling.
- Glass filled nylon mechanism.

Jaw:


- Aluminum extrusion and die cast aluminum.


Adjustable Mobile Trolley:

- Epoxy polyester-coated tubular steel.

Worksurface Support

Adjustable CPU Holders

product	description	w, min	w, max	d, min	d, max	h, min	h, max	wgt.
Adjustable vertical metal CPU holder 	<ul style="list-style-type: none"> • Adjusts to hold equipment 6" to 10" wide by 14" to 24" high • Hangs vertically from worksurface to maximize knee space. • Slides on track under worksurface for easy CPU access. • Ventilation holes on sides. • Has a weight capacity of 60 pounds. • Mounts on virtually any worksurface. • Swivel is 360°. • Track length is 7³/₄". 	7"	11"	18"	18"	15"	25"	24 lbs.

Adjustable vertical sling CPU holder 	<ul style="list-style-type: none"> • Adjusts to hold equipment 6" to 10" wide by 14" to 24" high. • Sling made of woven vinyl coated polyester for flexibility and ventilation. • Hangs vertically from worksurface to maximize knee space under surface. • Slides on track under worksurface for easy CPU access. • Has a weight capacity of 60 pounds. • Swivel is 360°. • Track length is 7³/₄". 	7"	11"	18"	18"	15"	25"	13 lbs.
--	--	----	-----	-----	-----	-----	-----	---------

Order Code	Ordering Information	Installation Notes	Construction
Example: OA-CPU-SLNG-V	<i>Specify:</i>	CPU holders come standard with a 17 ³ / ₄ " long track. They mount on work surfaces 18 ¹ / ₂ " or deeper.	<i>Metal CPU holder:</i> Rigid 16-gauge painted steel construction. Black paint finish. Black plastic pull.
OA-CPU CPU holder	1. Pattern number		
SLNG Sling style	<i>KnollNow:</i> ➔		<i>Sling CPU holder:</i> Black painted steel mounting mechanism. Woven vinyl coated polyester sling. Black plastic pull.
V Vertical mounting option	Adjustable vertical sling CPU holder available in the KnollNow Program. Maximum order quantity of 25 units per line item.		

pattern no.

list price

OA-CPU-MTL-V\$443.

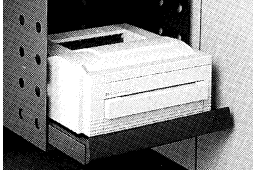
OA-CPU-SLNG-V →331.

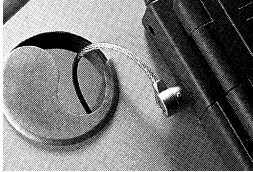
Custom Options

Longer and shorter track lengths are available. Contact your KnollExtra representative or Customer Service for pricing information.

Worksurface Support

Equipment Storage

product	description	type	w	d	h	wgt.
Printer/Fax Drawer 	<ul style="list-style-type: none"> • Stores equipment under worksurface, freeing space. • Accommodates most printers and fax machines. • Full extension drawer for easy equipment access. • Ventilation holes on sides. • Black painted steel. • Mounts on virtually any wood worksurface. • Weight capacity 135 lbs. • Includes four type AB pan head 1/4-14 x 1 screws. 	Narrow (wt. limit 135 lbs.)	16 ³ / ₈ "	20 ³ / ₈ "	16 ³ / ₈ "	32 lbs
		Wide (wt. limit 135 lbs.)	20 ³ / ₈ "	20 ³ / ₈ "	16 ³ / ₈ "	35 lbs

product	description	type
Computer Security Kit 	<ul style="list-style-type: none"> • Theft deterrent security device for desktop and laptop computers. • Laptop Security Kit includes 6' galvanized steel cable that locks into built-in laptop security slot. • Desktop Security Kit includes 6' galvanized steel cable that loops through security bracket on the back of Apple computers. • Cables for both versions attach to steel shackle on underside of worksurface. 	For Apple desktop computers. See Application Notes.

Order Code	Ordering Information	Application Notes												
Example: OA-PFD-N OA-PFD-N Narrow printer/fax drawer	<i>Specify:</i> 1. Pattern number <i>Equipment note:</i> Each office equipment drawer is designed to accommodate the vast majority of products currently on the market. Specific interior dimensions: <table border="1"> <thead> <tr> <th></th> <th>w</th> <th>d</th> <th>h</th> </tr> </thead> <tbody> <tr> <td>OA-PFD-N</td> <td>16¹/₈"</td> <td>20"</td> <td>12⁷/₈"</td> </tr> <tr> <td>OA-PFD-W</td> <td>20¹/₈"</td> <td>20"</td> <td>12⁷/₈"</td> </tr> </tbody> </table>		w	d	h	OA-PFD-N	16 ¹ / ₈ "	20"	12 ⁷ / ₈ "	OA-PFD-W	20 ¹ / ₈ "	20"	12 ⁷ / ₈ "	<i>Printer/fax drawer:</i> Mounts on virtually any wood worksurface. Wide head key lock fasteners ensure stability. Mounts on 24" or deeper worksurface, with more than 3" wide clearance space in rear. For panel-flush applications, there is a 2 ¹ / ₈ " wide, 1/4" high bracket clearance on either side. For wider brackets, note that drawer worksurface connections are located 3 ¹ / ₂ " and 12" from front of drawer. For thicker brackets, use spacers when installing drawer. <i>Security kit:</i> Steel shackle attaches to solid core portion of wood worksurface (underside, near edge) with two tamper-resistant one-way screws that cannot be removed. KnollStudio Propeller Tables come pre-drilled. Lightweight, clear PVC-coated cable provides a visible theft deterrent. With Apple Desktop Security Kits, cable loops through security bracket at back of computer and locks with a Masterlock padlock. (2 keys included). Some Powerbook, Duo and Centris systems are not compatible with the Apple
	w	d	h											
OA-PFD-N	16 ¹ / ₈ "	20"	12 ⁷ / ₈ "											
OA-PFD-W	20 ¹ / ₈ "	20"	12 ⁷ / ₈ "											



pattern no.	list price
OA-PFD-N	\$495.
OA-PFD-W	510.

OA-CSK-LT	173.
OA-CSK-A	148.

Custom Options	Construction
<p>Desktop Security Kit; users of these computers should utilize the Laptop Security Kit instead.</p> <p>With Laptop Security Kits, cable includes locking device that attaches directly into built-in security slot on the back of laptop computer. The security slot is incorporated into many newer laptop computers. Contact your KnollExtra Customer Service (800-343-KNOLL) for a complete list of laptop computers and other computer equipment that accept the Laptop Security Kit.</p>	<p>Other widths and depths available. Minimum order of 25 units per line item. Contact your KnollExtra representative or Customer Service for pricing information.</p> <p>Rigid 16-gauge painted steel constructed. 2 1/4" high full width pull in black finish.</p> <p>Accuride progressive metal slides on drawer. Rubber mat and 3/4" high rear metal lip prevent sliding. Perforated holes on side for ventilation.</p> <p>All parts painted black.</p> <p>Manufactured in the United States.</p>

Laptop Supports

Jellyfish and Lapjack Laptop Stands

product	description	accommodates
 <p>Jellyfish Laptop Stand</p>	<ul style="list-style-type: none"> • Designed to raise the laptop to optimum height. • Used in conjunction with a separate keyboard, corrects the ergonomic problems associated with laptop use. • The stand has a simple adjustment mechanism with three possible positions. 	Maximum recommended laptop size: w14.5" x d11" x h2"
 <p>Lapjack</p>	<ul style="list-style-type: none"> • Lapjack is a portable, aluminum, ergonomic, support for laptop computers. • Incorporating copy holder and cable management. • Packs flat and can be slipped into a bag along with a laptop and papers. • Available in aluminum only. 	Maximum recommended laptop size: w14.5" x d11" x h2"

Order Code	Ordering Information	Construction	Design Awards
Example: CBS-JF-BK	<i>Specify:</i>	Base: Polyurethane	<i>Jellyfish:</i>
CBS-JF Jellyfish Laptop Stand	1. Pattern number	Platform: ABS Plastic	Best of NeoCon 2004, Gold Award
BK Black	2. Finish	Wire Stay and Hinge Pin: Mild Steel and Chrome Plated	<i>Lapjack:</i>
	<i>Finishes for Jellyfish only:</i>		Best of NeoCon 2005, Gold Award
	Black (BK)		Ergonomic Excellence Award, 2005
	White (WH)		
	Red (RD)		

pattern number

list


CBS-JF


\$175.


CBS-LJ

215.

Bebop Carts

type	shelves	configuration	width	depth	height
Open 	Ice	High	25"	17"	29"
		Low	25"	17"	21"
		Medium	25"	17"	23"
	Snow	High	25"	17"	29"
		Low	25"	17"	21"
		Medium	25"	17"	23"

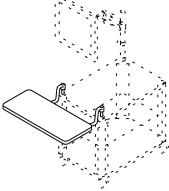
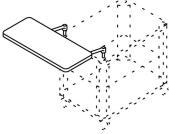
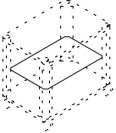
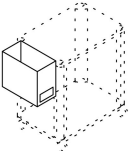
Panels 	Ice	High	25"	17"	29"
		Low	25"	17"	21"
		Medium	25"	17"	23"
	Snow	High	25"	17"	29"
		Low	25"	17"	21"
		Medium	25"	17"	23"

Doors 	Ice	Low	25"	17"	21"
		Medium	25"	17"	23"
	Snow	Low	25"	17"	21"
		Medium	25"	17"	23"

Order Code	Ordering Information	Custom Option
<i>Example:</i> BB-23-3PL-SN8-PW	<i>Specify:</i>	Customers can use material for panels of 1/8" thickness, including Imago. Please contact your KnollExtra or Customer Service Representative for pricing.
BB-SH	<i>Hgt:</i>	
BB	21 Low	
23	23 Medium	
3PL	29 High	
SN8	<i>Conf:</i>	
PW	NOP Open	
BB-SH	3PL Three panels with the width side open	
	3PD Three panels and a door	
	<i>Color:</i>	
	CE8 Ice	
	SN8 Snow	
	<i>Side panels (if applicable):</i>	
	<i>Grade A</i>	
	VW Vapor White	
	JB Jet Black	
	GC Grey Cloud	
	SK Sky Blue	
	<i>Grade B</i>	
	PW Pulsar White	
	BH Black Hole	
	CL Clear	
	SM SM	
	SE SE	
	GL Green Light	

pattern no.	No Panels	Grade A Side Panels	Grade B Side Panels
BB-29-NOP-CE8	\$787.		
BB-21-NOP-CE8	731.		
BB-23-NOP-CE8	754.		
BB-29-NOP-SN8	849.		
BB-21-NOP-SN8	792.		
BB-23-NOP-SN8	815.		
BB-29-3PL-CE8		917.	990.
BB-21-3PL-CE8		821.	894.
BB-23-3PL-CE8		849.	934.
BB-29-3PL-SN8		979.	1,051.
BB-21-3PL-SN8		883.	956.
BB-23-3PL-SN8		911.	962.
BB-21-3PD-CE8			1,232.
BB-23-3PD-CE8			1,282.
BB-21-3PD-SN8			1,294.
BB-23-3PD-SN8			1,345.

Bebop Accessories

type	shelves	configuration	width	depth	height
Keyboard Platform 	Ice		24.62"	10.57"	0.72"
	Snow		24.62"	10.57"	0.72"
AV Platform 	Ice		24.62"	10.57"	0.72"
	Snow		24.62"	10.57"	0.72"
Wishbone Attachment	Ice	Attachment only. Recommended with post and c-arm only. Order post and c-arm separately.			
	Snow	Attachment only. Recommended with post and c-arm only. Order post and c-arm separately.			
Optional Shelf 			22"	14"	1/8"
		Maximum of 2 recommended, metal shelf in metallic grey finish			
Project Bins 			16"	6.5"	10.75"

Order Code

Example: **BB-KB-CE8**
BB-KB Bebop Keyboard
platform
CE8 Ice

Ordering Information

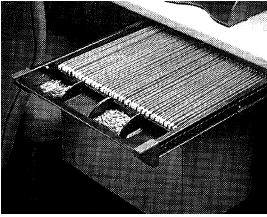
Specify:
Top and
Icebottom color: CE8
Snow SN8

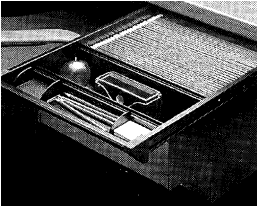
pattern no.	list
BB-KB-CE8	\$614.
BB-KB-SN8	624.
BB-AV-CE8	607.
BB-AV-SN8	624.
BB-WSH-CE8	31.
BB-WSH-SN8	31.
BB-SH	112.
BB-BIN	61.

BackPack® Universal Storage Drawers

by Robert Reuter

suspended files

product	description	w	d	back/front h	wgt.
Standard Suspended File 	<ul style="list-style-type: none"> • Full width, 4³/₄" d 1³/₄"H pencil trough. • Two removable plastic organizing trays. • Generous 16"w 12"D filing space. • Accepts 16" side-to-side hanging letter files. • Accepts 12" front-to-back hanging legal or European A-4 and foolscap files. • Drawer contains 107% capacity of standard file drawer. • Optional lock. • Black painted steel construction with full extension ball-bearing slides. 	17"	18"	10 ¹ / ₂ "	16 lbs. 4 ozs.

Deep Suspended File 	<ul style="list-style-type: none"> • Full width, 4³/₄" d 1³/₄"H pencil trough. • Two removable plastic organizing trays. • Full width, 5¹/₂" d 6"H intermediate compartment holds computer disks, desk supplies and personal items. • Generous 16"w 12"D filing space. • Accepts 16" side-to-side hanging letter files. • Accepts 12" front-to-back hanging legal or European A-4 and foolscap files. • Drawer contains 107% capacity of standard file drawer. • Optional lock and mouse pad. • Black painted steel construction with full extension ball-bearing slides. 	17"	24"	10 ¹ / ₂ "	18 lbs.
---	--	-----	-----	----------------------------------	---------

Order Code

Example: BP-SSF

BP-SSF Standard suspended file

Ordering Information

Specify:

1. Pattern number
2. Lock option

Lock option:

Lock attaches to slides in field.
Removable for use elsewhere.
Key-alike option with Morrison Network, Calibre and the Reuter Overhead.

KnollNow: ➔

Denoted products available in the KnollNow Program. Maximum order quantity of 25 units per line item.

Application Notes

BackPack drawers can be used with virtually any Knoll or other wood worksurface.

BackPack storage drawers attach to the underside of wood worksurfaces at any location. In most cases, the drawers may be mounted flush to side panels. When supporting brackets extend further than 2¹/₂" from the side panel, a slight reveal will occur. Mounting hardware and template included.

pattern no.

list price

BP-SSF →

\$404.

BP-DSF →

445.

Storage

For wire management needs, the minimum depth worksurface for standard depth drawers is 24"; minimum depth for deep drawers is 30". When no wire management is necessary, the Standard Suspended File may be used on an 18" worksurface and the Deep Suspended File may be used on a 24" worksurface.

Knee clearance:
In order to maximize filing capacity, the Standard and Deep Suspended Files do not provide adequate knee clearance. For center worksurface applications, specify the Keyboard or Center File Drawers.

Construction

Sturdy, 20-gauge painted steel with full-extension ball-bearing metal slides. Foam surface on mouse pad.
Die-cast zinc lock painted black.
Manufactured in the United States.

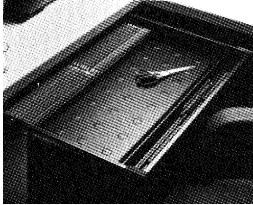
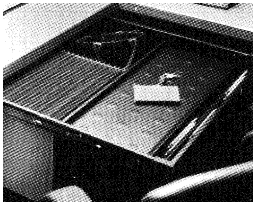
Design Awards

ROSCOE Award, *Interior Design Magazine*, 1994. Honorable Mention, Furniture, *ID Magazine* Annual Design Review, 1994.

BackPack® Universal Storage Drawers

by Robert Reuter

suspended files

product	description	w	d	back/front h	wgt.
Standard Center File 	<ul style="list-style-type: none"> Includes 26"w 14"d 2"H storage for desk and personal items. Full width pencil trough and rear filing area. 3 1/2" deep filing area accepts 2 rows of front-to-back letter filing, or one row of front-to-back legal or European A-4/foolscap filing plus space for handbag. Drawer contains 57% capacity of standard file drawer. Optional lock. Black painted steel construction with full extension ball-bearing slides. 	27"	18"	11 1/8"/2"	16 lbs. 6 ozs.
Deep Center File 	<ul style="list-style-type: none"> Includes 26"w 14"d 2"H storage for desk and personal items Full width pencil trough and rear filing area. 9 1/2" deep filing area accepts 2 rows of front-to-back letter filing, or one row of front-to-back legal or European/foolscap filing plus space for handbag. Drawer contains 94% capacity of standard file drawer. Optional lock. Black painted steel construction with full extension ball-bearing slides. 	17" 27"	24" 24"	11 1/8"/2" 11 1/8"/2"	20 lbs. 13 ozs.
Optional Lock	<ul style="list-style-type: none"> Non-handed. 	1 1/4"	2 1/4"	1 1/4"	5 ozs.

Order Code

Example: BP-SSF
BP-SSF Standard suspended file

Ordering Information

Specify:
 1. Pattern number
 2. Lock option

Lock option:
 Lock attaches to slides in field.
 Removable for use elsewhere.
 Key-alike option with Morrison Network, Calibre and the Reuter Overhead.

KnollNow: ➔
 Denoted products available in the KnollNow Program. Maximum order quantity of 25 units per line item.

Application Notes

BackPack drawers can be used with virtually any Knoll or other wood worksurface.

BackPack storage drawers attach to the underside of wood worksurfaces at any location. In most cases, the drawers may be mounted flush to side panels. When supporting brackets extend further than 2 1/2" from the side panel, a slight reveal will occur. Mounting hardware and template included.

pattern no.	list price
BP-SCF	\$451.

BP-DCF-17	410.
BP-DCF	493.

BP-L →	52.
--------	-----

For wire management needs, the minimum depth worksurface for standard depth drawers is 24"; minimum depth for deep drawers is 30". When no wire management is necessary, the Standard Suspended File may be used on an 18" worksurface and the Deep Suspended File may be used on a 24" worksurface.

Knee clearance:
In order to maximize filing capacity, the Standard and Deep Suspended Files do not provide adequate knee clearance. For center worksurface applications, specify the Keyboard or Center File Drawers.

Construction

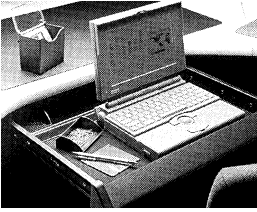
Sturdy, 20-gauge painted steel with full-extension ball-bearing metal slides. Foam surface on mouse pad.
Die-cast zinc lock painted black.
Manufactured in the United States.


Design Awards

ROSCOE Award, *Interior Design Magazine*, 1994. Honorable Mention, Furniture, *ID Magazine Annual Design Review*, 1994.

BackPack® Universal Storage Drawers

by Robert Reuter
keyboard drawers

product	description	w	d	back/front h	wgt.
 <p>Narrow Keyboard Drawer</p>	<ul style="list-style-type: none"> Accommodates virtually any standard keyboard or laptop computer. Full width, 2³/₄"d³/₄"H integral palm rest. 21¹/₄"w 9³/₈"D black padded keying space. Full width rear pencil trough and 2 removable plastic organizing trays. Thin profile maximizes knee clearance under drawer. Optional lock. Black painted steel construction. Full extension ball-bearing slides, with click-stop in half open position for steady use. 	22 ¹ / ₂ "	18"	2"	8 lbs. 12 ozs.

 <p>Wide Keyboard Drawer with Mouse Pad</p>	<ul style="list-style-type: none"> Accommodates virtually any standard keyboard or laptop computer. Full width, 2³/₄"d³/₄"H integral palm rest. Non-handed mouse pad, black foam with square corners 8" x 9". 27¹/₄"w 9³/₈"D keying/mousing space. Full width rear pencil trough and 4 removable plastic organizing trays. Thin profile maximizes knee clearance under drawer. Optional lock. Black painted steel construction. Full extension ball-bearing slides, with click-stop in half open position for steady use. 	25" 28 ¹ / ₂ "	18"	2"	10 lbs. 12 ozs.
---	--	---	-----	----	-----------------

Order Code	Ordering Information	Application Notes
Example: BP-NKD-BK BP-NKD Narrow keyboard drawer BK Black palm rest	<i>Specify:</i> 1. Pattern number 2. Wrist rest finish 3. Lock option <i>Palm rest nylon finishes:</i> Black (BK)	Call Customer Service for availability and minimum requirement. <i>Lock option:</i> Lock attaches to slides in field. Removable for use elsewhere. Key-alike option with Morrison Network, Calibre, and Reuter Overhead. <i>KnollNow:</i> ➔ Denoted products available in the KnollNow Program. Maximum order quantity of 25 units per line item.

pattern no.	list price
BP-NKD →	\$358.

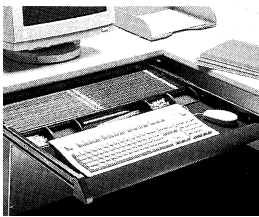
BP-WKD-25	372.
BP-WKD →	385.

	Construction	Design Awards
<p>BackPack storage drawers attach 2$\frac{3}{8}$" below the underside of wood worksurfaces at any location. Mounting hardware and template included.</p> <p>For wire management needs, the minimum depth worksurface for the Narrow and Wide keyboard drawers is 24", and 30" for the Keyboard/Filing Drawer. When no wire management is necessary, both the Narrow and Wide Keyboard Drawers may be used on an 18" deep worksurface and the Keyboard/Filing Drawer may be used on a 24" deep worksurface.</p>	<p>Durable 20-gauge steel painted black. Full-extension ball-bearing metal slides with click-stop in half-open position. Nylon-sheathed foam palm rest.</p> <p>Die-cast zinc lock painted black.</p> <p>Manufactured in the United States.</p>	<p>ROSCOE Award, <i>Interior Design Magazine</i>, 1994. Honorable Mention, Furniture, <i>ID Magazine</i> Annual Design Review, 1994.</p>

BackPack® Universal Storage Drawers

by Robert Reuter

keyboard drawers

product	description	w	d	back/front h	wgt.
Keyboard/Filing Drawer 	<ul style="list-style-type: none"> • Accommodates virtually any standard keyboard or laptop computer. • Full width, 2 3/4" d 3/4" H integral palm rest. • Non-handed mouse pad, black foam with square corners 8" x 9". • 27 1/4" w 9 3/8" D keying/mousing space. • 4 removable plastic organizing trays. • 26 1/16" w 8" D filing space accepts 2 rows of front-to-back letter filing, or one row of front-to-back legal or European A4/foolscap filing. • Optional lock. • Black painted steel construction. • Full extension ball-bearing slides, with click-stop in half open position for steady use. 	27 1/4"	24"	11 1/2"/2"	20 lbs. 7 ozs.
Optional Lock	<ul style="list-style-type: none"> • Non-handed. 	1 1/4"	2 1/4"	1 1/4"	5 ozs.

Order Code

Example:	BP-NKD-BK
BP-NKD	Narrow keyboard drawer
BK	Black palm rest

Ordering Information

Specify:

1. Pattern number
2. Wrist rest finish
3. Lock option

Palm rest nylon finishes:
Black (BK)

Application Notes

Call Customer Service for availability and minimum requirement.

Lock option:

Lock attaches to slides in field. Removable for use elsewhere. Key-alike option with Morrison Network, Calibre, and Reuter Overhead.

KnollNow: ➔

Denoted products available in the KnollNow Program. Maximum order quantity of 25 units per line item.

BackPack drawers can be used with virtually any Knoll or other wood work surface.

pattern no.

list price

BP-KFD

\$515.

BP-L →

52.

Construction

Design Awards

BackPack storage drawers attach 2³/₈" below the underside of wood worksurfaces at any location. Mounting hardware and template included.

Durable 20-gauge steel painted black. Full-extension ball-bearing metal slides with click-stop in half-open position. Nylon-sheathed foam palm rest.

ROSCOE Award, *Interior Design Magazine*, 1994. Honorable Mention, Furniture, *ID Magazine Annual Design Review*, 1994.



For wire management needs, the minimum depth worksurface for the Narrow and Wide keyboard drawers is 24", and 30" for the Keyboard/Filing Drawer. When no wire management is necessary, both the Narrow and Wide Keyboard Drawers may be used on an 18" deep worksurface and the Keyboard/Filing Drawer may be used on a 24" deep worksurface.

Die-cast zinc lock painted black.
Manufactured in the United States.

BackPack® Universal Storage Drawers

by Robert Reuter

pencil and top drawers

product	description	w	d	back/front h	wgt.
Pencil Drawer 	<ul style="list-style-type: none"> • 23" w 11 1/2" D paper storage. • Full width pencil trough. • Two removable plastic organizing trays. • Black painted steel construction with full extension ball-bearing slides. • Optional lock. 	24"	17 5/8"	2"	
Top Drawer 	<ul style="list-style-type: none"> • Full width, 4 3/4" d 1 3/4" H pencil trough. • Two removable plastic organizing trays. • 13" w 10" D filing space. • Black painted steel construction with full extension ball-bearing slides. • Optional lock. 	14 1/4"	18"	10 1/2"	
Optional Lock	<ul style="list-style-type: none"> • Non-handed. 	1 1/4"	2 1/4"	1 1/4"	5 ozs.

Order Code

Example: BP-PD

BP-PD Pencil drawer

BP-L Optional lock

Ordering Information

Specify:

1. Pattern number
2. Lock option

Lock option:

Lock attaches to slides in field.
Removable for use elsewhere.
Key-alike option with Morrison Network, Calibre and the Reuter Overhead.

KnollNow: ➔

Denoted products available in the KnollNow Program. Maximum order quantity of 25 units per line item.

Application Notes

BackPack drawers can be used with virtually any Knoll or other wood worksurface.

BackPack storage drawers attach to the underside of wood worksurfaces at any location. Mounting hardware and template included.

pattern no.	list price
BP-PD →	\$173.
BP-TOP-C	367.
BP-L →	52.

For wire management needs, the minimum depth worksurface for standard depth drawers is 24"; minimum depth for deep drawers is 30". When no wire management is necessary, the Standard Center File may be used on an 18" worksurface and the Deep Center File may be used on a 24" worksurface.

Construction

Sturdy 20-gauge painted steel with full extension ball-bearing metal slides.

Die-cast zinc lock painted black.

BackPack® Top Drawer
Manufactured in the United States.


BackPack® Pencil Drawer
manufactured in Canada.

Design Awards

ROSCOE Award, *Interior Design Magazine*, 1994. Honorable Mention, Furniture, *ID Magazine Annual Design Review*, 1994.

Universal Pencil Drawer

by Books Rorke

product	description	w	d	back/front h	wgt.
Universal Pencil Drawer 	<ul style="list-style-type: none"> • 7 roomy compartments. • Large rear compartment holds flat, legal files, ruler, etc. • Slanted card compartment holds index cards, Post-It™ Notes or business cards. • Middle compartment holds White-Out™ bottle or change. • Front middle compartment holds stapler, pens, scissors, etc. • Other compartments holds calculator, clips, pins, etc. • Available in textured matte black plastic. • Three-quarters extension, ball bearing metal slides with smooth, silent movement. 	16 1/2"	22 3/4"	1 3/4"	5 lbs. 12 ozs.

Order Code

Example: **ORCH-PD-A**
ORCH- Pencil drawer
PD-A

Ordering Information

Specify:
 1. Pattern number

KnollNow: ➔
 Denoted products available in the KnollNow program. Maximum order quantity of 25 units per line item.

Application Notes

Universal Pencil Drawer can be used with virtually any Knoll or competitor wood worksurface.
 Minimum depth worksurface for drawer is 24". On freestanding Morrison Network systems, a 30" deep worksurface is required.

pattern no.

list price

ORCH-PD-A →

\$172.




Construction

Universal pencil drawer:
Durable vacuum-formed ABS plastic drawer in a matte black, textured finish. Three-quarter extension, ball bearing metal slides with smooth, silent movement.

Manufactured in the United States.

Universal Marker Boards

by Bruce Hannah & Ayse Birsal

product	description	w	d	h	wgt.
	<ul style="list-style-type: none"> • 1/2" wide anodized aluminum frame with white surface. • Marker Tray option specified separately. • Mountable on load bar, panel, wall or top cap. • Load bar-mounted brackets included in list price, but specified separately (see Mounting Options below). 	24"	1/2"	18"	5 lbs. 2 ozs.
		30"	1/2"	18"	8 lbs. 10 ozs.
		30"	1/2"	24"	11 lbs. 7 ozs.
		36"	1/2"	18"	10 lbs. 5 ozs.
		36"	1/2"	24"	13 lbs. 12 ozs.
		42"	1/2"	24"	16 lbs. 1 oz.
		42"	1/2"	30"	20 lbs. 1 oz.
		48"	1/2"	30"	22 lbs. 15 ozs.
	<ul style="list-style-type: none"> • 1/2" wide anodized aluminum frame with white surface. • Marker Tray option specified separately. • Mountable on load bar, panel, wall or top cap. • Load bar-mounted brackets included in list price, but specified separately (see Mounting Options below). 	24"	1/2"	16 1/4"	5 lbs. 2 ozs.
		30"	1/2"	16 1/4"	8 lbs. 10 ozs.
		30"	1/2"	22 1/4"	11 lbs. 7 ozs.
		36"	1/2"	16 1/4"	10 lbs. 5 ozs.
		36"	1/2"	22 1/4"	13 lbs. 12 ozs.
		42"	1/2"	22 1/4"	16 lbs. 1 oz.
		42"	1/2"	28 1/4"	20 lbs. 1 oz.
		48"	1/2"	28 1/4"	22 lbs. 15 ozs.
	<ul style="list-style-type: none"> • Anodized aluminum snap-fit tray for Marker Board markers and erasers. 	17"	1 1/4"		5 ozs.

Mounting Options	
	Load Bar-Mounted Brackets. Set of 2.
	Panel-Mounted Brackets for Dividends
	Panel-Mounted Brackets for Equity
	Panel-Mounted Brackets for Morrison
	Panel-Mounted Brackets for Reff
	Pavement Brackets (Generic deep)
	Pavement Brackets (Generic shallow)
	Top Cap-Mounted Brackets (Dividends only)
	Top Cap-Mounted Brackets (Equity only)
	Top Cap-Mounted Brackets (Morrison Network only)
	Top Cap-Mounted Brackets (Reff only)
	Top Cap-Mounted Brackets. Set of 2. (Morrison only)
	Wall-Mounted Brackets. Set of 2.

* No charge when ordered with Marker or Tack Board

Order Code	Ordering Information		
Example: OR-WB-24-18-BK OR-WB-PM-M OR-WB-TR-BK	<i>Specify:</i> 1. Pattern number 2. Frame finish 3. Mounting option 4. System suffix (panel and top cap-mounted only) 5. Marker Tray (optional) 6. Marker Tray finish	<i>Mounting options:</i> <i>Rail-Mounted:</i> Standard option. Includes load bar clip and adhesive-backed rubber bumper to protect panel fabric and prevent deflection. <i>Panel-Mounted:</i> To ensure rigidity, specify two sets and brackets	<i>Wall-Mounted:</i> Specify pattern number. <i>Top cap-mounted:</i> Equity and Morrison Network Systems brackets available. Use bracket pattern numbers listed below: Equity E Morrison Network M
OR-WB-24-18 24" x 18" Marker board			
BK Black frame			
OR-WB-PM Panel-mounted			
M Morrison Network	<i>Anodized finish:</i> Black (BK) Silver (SV) *		
OR-WB-TR Marker tray			
BK Black	* *Please consult Customer Service for lead times.		

pattern no.	list price
OR-WB-24-18	\$170.
OR-WB-30-18	254.
OR-WB-30-24	287.
OR-WB-36-18	358.
OR-WB-36-24	398.
OR-WB-42-24	463.
OR-WB-42-30	515.
OR-WB-48-30	593.
OR-WB-24-18-E	170.
OR-WB-30-18-E	254.
OR-WB-30-24-E	287.
OR-WB-36-18-E	358.
OR-WB-36-24-E	398.
OR-WB-42-24-E	463.
OR-WB-42-30-E	515.
OR-WB-48-30-E	593.
OR-WB-TR	45.
OR-WB-LBZ *	7.
OR-WB-PM-DV	38.
OR-WB-PM-E	28.
OR-WB-PM-M	28.
OR-WB-PM-R	46.
OR-WB-PM-B	18.
OR-WB-PM-D	18.
OR-WB-TCM-DV *	7.
OR-WB-TCM-E *	7.
OR-WB-TCM-NS	7.
OR-WB-TCM-R *	7.
OR-WB-TCM-M *	7.
OR-WB-WM	31.

Equity application note:

For all Equity panel-mounted applications, add "E" to end of base pattern number.

Note:

If your system is not listed, contact your KnollExtra representative or Customer Service for appropriate panel-mounted bracket to specify.

Custom Options

Other writing surface and custom frame colors available. Custom frame sizes available up to 72"W x 48"D in size. High performance porcelain-covered steel market board also available. 25 unit minimum per line item on all customs. Contact your KnollExtra representative or Customer Service for pricing information.

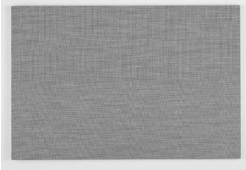
Construction

Anodized aluminum frame. Black cork or white melamine laminated on hardboard.

Manufactured in the United States.

Universal Fabric Boards

Standard Sizes

product	description	w	d	h	textile fabric yards
Fabric Boards 	<ul style="list-style-type: none"> Standard fabric board has 1/2" thick mineral board construction with squared corner. Rounded corner or radiused edge, available at upcharge. Panel or wall mounting options. 	24"	1/2"	14"	.66
		24"	1/2"	16"	.66
		24"	1/2"	18"	.66
		24"	1/2"	20"	.75
		24"	1/2"	24"	1
		30"	1/2"	14"	.66
		30"	1/2"	16"	.66
		30"	1/2"	18"	.66
		30"	1/2"	20"	.75
		30"	1/2"	24"	1
		36"	1/2"	14"	.66
		36"	1/2"	16"	.66
		36"	1/2"	18"	.66
		36"	1/2"	20"	.75
		36"	1/2"	24"	1
		42"	1/2"	14"	.66
42"	1/2"	16"	.66		

Order Code	Ordering Information	Mounting Options
Example: F-24-16-R2-A-30-W388/1 F-WM-F F-24-16 24" x 16" Fabric board R2 Rounded corner/radius edge detail A Thickness 30 Fabric grade 30 W388/1 Freehand, Glacier F-WM-F Wall-mounted, flush	<p><i>Specify:</i></p> <ol style="list-style-type: none"> Pattern number Corner/edge detail Thickness Fabric grade Fabric selection Mounting option pattern number System suffix (panel-mounted option only) <p><i>Equity application note:</i> For all Equity panel-mounted applications, add "E" to end of base pattern number.</p> <p><i>Corner/edge detail:</i> Squared corner/rectilinear edge (S1) Squared corner/radiused edge (S2) Rounded corner/radiused edge (R2)</p> <p>Standard fabric board has squared corner and rectilinear edge details. See page 154 for edge upcharge.</p> <p>Standard fabric board has 1/2" thick mineral board.</p>	<p><i>Panel-mounted brackets:</i> Panel-mounted brackets are included in the list price but must be specified separately. To specify appropriate panel-mounted bracket, consult the KnollExtra Bracket Chart on page 13.</p> <p>Panel mounted bracket size must match height of fabric board.</p> <p><i>Wall-mounted options:</i> Wall-mounted applications must be specified as flush (F-WM-F) or reveal (F-WM-R). Both options are appropriate for any smooth, clean surface. Flush wall-mount option utilizes velcro squares.</p> <p>Reveal wall-mount option provides 1/2" clearance for wire management behind fabric board. Fabric boards mount with 4 brackets onto 2 black painted wall rails that screw into wall to ensure rigidity. For other mounting options and pricing, contact Customer Service.</p> <p><i>Under overhead specification note:</i> For application under a system overhead, provide clearance distance between the worksurface and the bottom of the overhead or task light.</p> <p><i>Side by side fabric board specification note:</i> Please note if a panel-mounted fabric board will be used contiguous to another fabric board, drawings are required and there will be an up-charge.</p> <p><i>60" wide boards in fabric grades 50, 55 and 60:</i> Due to grades 50, 55 and 60 fabric widths being less than the width of a 60" board, contact your KnollExtra representative or Customer Service for pricing and fabric railroading information.</p>

pattern no.	10	COM 15	20	30	35	40	45/46	50	55	60
F-24-14-()-A-() () ()	\$229.	\$234.	\$262.	\$272.	\$275.	\$279.	\$288.	\$289.	\$305.	\$316.
F-24-16-()-A-() () ()	229.	234.	262.	272.	275.	279.	288.	289.	305.	316.
F-24-18-()-A-() () ()	245.	251.	270.	280.	282.	286.	296.	298.	313.	324.
F-24-20-()-A-() () ()	305.	309.	314.	326.	329.	333.	344.	346.	363.	375.
F-24-24-()-A-() () ()	343.	349.	386.	400.	404.	411.	425.	427.	451.	468.
F-30-14-()-A-() () ()	261.	265.	302.	310.	313.	317.	328.	329.	344.	355.
F-30-16-()-A-() () ()	268.	274.	308.	317.	320.	326.	334.	335.	353.	362.
F-30-18-()-A-() () ()	277.	281.	316.	327.	329.	333.	343.	344.	359.	371.
F-30-20-()-A-() () ()	345.	350.	376.	387.	390.	396.	406.	407.	425.	439.
F-30-24-()-A-() () ()	385.	393.	418.	432.	435.	443.	457.	458.	483.	499.
F-36-14-()-A-() () ()	268.	274.	316.	327.	329.	333.	343.	344.	359.	371.
F-36-16-()-A-() () ()	283.	288.	326.	333.	335.	340.	349.	350.	368.	378.
F-36-18-()-A-() () ()	291.	297.	332.	341.	344.	348.	358.	359.	374.	386.
F-36-20-()-A-() () ()	345.	350.	384.	395.	398.	402.	414.	415.	433.	445.
F-36-24-()-A-() () ()	406.	414.	465.	478.	482.	489.	503.	505.	529.	545.
F-42-14-()-A-() () ()	285.	289.	340.	349.	353.	357.	367.	368.	383.	394.
F-42-16-()-A-() () ()	307.	312.	346.	356.	358.	361.	371.	373.	388.	399.

Custom Options

For special sizes:
For specials contact Customer Service. Maximum fabric board size is 120"W x 24"H. Fabric must be railroaded on any panel wider than 60".

Customer's own material:
For approval, submit at least one yard of fabric for application testing. For panel-mounted applications, all COMs and textiles that are not pre-approved must be UL-tested. Please consult KnollExtra Customer Services for details.

Construction

1/2" thick mineral board for durable, highly tackable surface.
Manufactured in the United States.

Fabric Selection

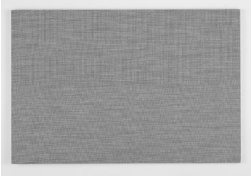
Grade 10	Grade 20	Grade 30	Grade 40	Grade 45	Grade 60
Bailey II	(cont.)	Resonance	Grade 35	(cont.)	Aero *
Foundation	Outback	Walls of Rain	Saxony Plus	Macro	Deauville *
Newbury	Resolution			Mezzo	Dots *
Solid Crepe	Saratoga	Grade 35		Nuage	Double Dash *
Taurus	Satin Sketch	Walkabout		Poly	Double Dash Texture *
Versatility	Walkabout	Weave Three	Grade 40	Cord	Hopscotch
	Grade 15		Analogy	Dot	Nuance *
	Belgrade	Grade 30	Bardo	Ramage	Stacked
	Fairfield	Basket Draft	Boxstep	Tokay	Boxes *
	Marche	Crescent	Chimes	II *	
	Regency	Elan	Eurythmic	Grade 50	
	Visage	Flow	Foil Rap	Abacus	
	Grade 20	Freehand	Freefall	Atlantis	
	Banyan	Harmony	Sennit	Balance *	
	Bauhaus	Micro	Sierra	Bankshot *	
	Block	Palmetto	Spinoff	Breakers *	
	Boardwalk	Peano	Nuance	Carina	
	Boulevard	Progression	Tissage	Chrysanthemum *	
	Clarity	Promenade	Grade 45	Extreme	
	Criss Cross	Regency	Backdrop†	Velvet	
	Devon	Singles	Casual	Jump	
	Frequency		Elegance	Rope	
	Labyrinth		Coral Reef	Poly	
	Litchfield		Digital	Mesh	
	Marathon		Tape†	Poly *	
	Melbourne		Dristi	Ricochet	
	Millbrook		Fast		
			Forward†	Grade 55	
				Mohawk *	
				Transition *	

† Not available with radiused edge.
* Consult your KnollExtra representative or Customer Service for pricing on 60" wide boards.

Note:
As a general rule, all fabrics approved for a Morrison panel application are approved for KnollExtra fabric wrapped tack boards.

Universal Fabric Boards

Standard Sizes

product	description	w	d	h	textile fabric yards
Fabric Boards 	<ul style="list-style-type: none"> Standard fabric board has 1/2" thick mineral board construction with squared corner. Rounded corner or radiused edge, available at upcharge. Panel or wall mounting options. 	42"	1/2"	18"	.66
		42"	1/2"	20"	.75
		42"	1/2"	24"	1
		48"	1/2"	14"	.66
		48"	1/2"	16"	.66
		48"	1/2"	18"	.66
		48"	1/2"	20"	.75
		48"	1/2"	24"	1
		60"	1/2"	14"	.66
		60"	1/2"	16"	.66
		60"	1/2"	18"	.66
		60"	1/2"	20"	.75
		60"	1/2"	24"	1

Order Code	Ordering Information	Mounting Options
Example: F-24-16-R2-A-30-W388/1 F-WM-F F-24-16 24" x 16" Fabric board R2 Rounded corner/radius edge detail A Thickness 30 Fabric grade 30 W388/1 Freehand, Glacier F-WM-F Wall-mounted, flush	<p><i>Specify:</i></p> <ol style="list-style-type: none"> Pattern number Corner/edge detail Thickness Fabric grade Fabric selection Mounting option pattern number System suffix (panel-mounted option only) <p><i>Equity application note:</i> For all Equity panel-mounted applications, add "E" to end of base pattern number.</p> <p><i>Corner/edge detail:</i> Squared corner/rectilinear edge (S1) Squared corner/radiused edge (S2) Rounded corner/radiused edge (R2)</p> <p>Standard fabric board has squared corner and rectilinear edge details. See page 154 for edge upcharge.</p> <p>Standard fabric board has 1/2" thick mineral board.</p>	<p><i>Panel-mounted brackets:</i> Panel-mounted brackets are included in the list price but must be specified separately. To specify appropriate panel-mounted bracket, consult the KnollExtra Bracket Chart on page 13.</p> <p>Panel mounted bracket size must match height of fabric board.</p> <p><i>Wall-mounted options:</i> Wall-mounted applications must be specified as flush (F-WM-F) or reveal (F-WM-R). Both options are appropriate for any smooth, clean surface. Flush wall-mount option utilizes velcro squares.</p> <p>Reveal wall-mount option provides 1/2" clearance for wire management behind fabric board. Fabric boards mount with 4 brackets onto 2 black painted wall rails that screw into wall to ensure rigidity. For other mounting options and pricing, contact Customer Service.</p> <p><i>Under overhead specification note:</i> For application under a system overhead, provide clearance distance between the worksurface and the bottom of the overhead or task light.</p> <p><i>Side by side fabric board specification note:</i> Please note if a panel-mounted fabric board will be used contiguous to another fabric board, drawings are required and there will be an up-charge.</p> <p><i>60" wide boards in fabric grades 50, 55 and 60:</i> Due to grades 50, 55 and 60 fabric widths being less than the width of a 60" board, contact your KnollExtra representative or Customer Service for pricing and fabric railroading information.</p>

pattern no.	10	COM 15	20	30	35	40	45/46	50	55	60
F-42-18-()-A-() () ()	\$307.	\$312.	\$363.	\$372.	\$374.	\$379.	\$388.	\$391.	\$406.	\$417.
F-42-20-()-A-() () ()	393.	397.	431.	442.	444.	450.	461.	462.	479.	493.
F-42-24-()-A-() () ()	477.	485.	528.	542.	545.	552.	567.	568.	593.	610.
F-48-14-()-A-() () ()	291.	297.	347.	357.	359.	363.	373.	374.	391.	401.
F-48-16-()-A-() () ()	307.	312.	363.	372.	374.	379.	388.	391.	406.	417.
F-48-18-()-A-() () ()	315.	320.	363.	372.	374.	379.	388.	391.	406.	417.
F-48-20-()-A-() () ()	393.	397.	431.	442.	444.	450.	461.	462.	479.	493.
F-48-24-()-A-() () ()	486.	493.	605.	619.	622.	629.	644.	646.	670.	685.
F-60-14-()-A-() () ()	370.	374.	441.	450.	452.	457.	467.	0.	0.	0.
F-60-16-()-A-() () ()	378.	382.	449.	458.	461.	466.	475.	0.	0.	0.
F-60-18-()-A-() () ()	400.	405.	459.	469.	471.	476.	486.	0.	0.	0.
F-60-20-()-A-() () ()	428.	434.	478.	489.	491.	496.	506.	0.	0.	0.
F-60-24-()-A-() () ()	486.	493.	605.	619.	622.	629.	644.	0.	0.	0.

Custom Options

For special sizes:
For specials contact Customer Service. Maximum fabric board size is 120"W x 24"H. Fabric must be railroaded on any panel wider than 60".

Customer's own material:
For approval, submit at least one yard of fabric for application testing. For panel-mounted applications, all COMs and textiles that are not pre-approved must be UL-tested. Please consult KnollExtra Customer Services for details.

Construction

1/2" thick mineral board for durable, highly tackable surface.

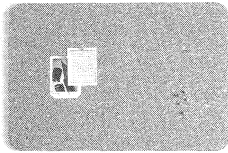
Manufactured in the United States.

Fabric Selection

<p><i>Grade 10</i> Bailey II Foundation Newbury Solid Crepe Taurus Versatility</p> <p><i>Grade 15</i> Belgrade Fairfield Marche Regency Visage</p> <p><i>Grade 20</i> Banyan Bauhaus Block Boardwalk Boulevard Clarity Criss Cross Devon Frequency Labyrinth Litchfield Marathon Melbourne Millbrook</p>	<p><i>Grade 20 (cont.)</i> Outback Resolution Saratoga Satin Sketch Walkabout Weave Three</p> <p><i>Grade 30</i> Basket Draft Crescent Elan Flow Freehand Harmony Micro Palmetto Peano Progression Promenade Regency Singles</p>	<p><i>Grade 30 (cont.)</i> Walls of Rain</p> <p><i>Grade 35</i> Saxony Plus</p> <p><i>Grade 40</i> Analogy Bardo Boxstep Chimes Eurythmic Foil Rap Freefall Sennit Sierra Spinoff Nuance Tissage</p> <p><i>Grade 45</i> Backdrop† Casual Elegance Coral Reef Digital Tape† Dristi Fast Forward†</p>	<p><i>Grade 45 (cont.)</i> Macro Mezzo Nuage Poly Cord Dot Ramage Tokay II *</p> <p><i>Grade 50</i> Abacus Atlantis Balance * Bankshot * Breakers * Carina Chrysanthemum * Extreme Velvet Jump Rope Poly Mesh Poly * Ricochet</p> <p><i>Grade 55</i> Mohawk * Transition *</p>	<p><i>Grade 60</i> Aero * Deauville * Dots * Double Dash * Double Dash Texture * Hopscotch Nuance * Stacked Boxes *</p> <p>† Not available with radiused edge. * Consult your KnollExtra representative or Customer Service for pricing on 60" wide boards.</p> <p><i>Note:</i> As a general rule, all fabrics approved for a Morrison panel application are approved for KnollExtra fabric wrapped tack boards.</p>
--	--	---	--	--

Universal Fabric Boards

Options and Mounting Information

product	description	application	w	d	h
Fabric Boards	Mounting Options	1/2" Reveal Wall-Mounted			
		Flush Wall-Mounted (No charge when ordered with fabric board)			
		Panel-Mounted Dividends (No charge when ordered with fabric board)			
		Panel-Mounted Equity (No charge when ordered with fabric board)			
		Panel-Mounted Morrison (No charge when ordered with fabric board)			
		Panel-Mounted Reff (No charge when ordered with fabric board)			
	Edge Detail	Rounded corner/radiused edge (add -R2 to end of fabric board pattern number)			
	Squared corner/radiused edge (add -S2 to end of fabric board pattern number)				
	Squared corner/rectilinear edge (add -S1 to end of fabric board pattern number)				
		<ul style="list-style-type: none"> Standard fabric board has 1/2" thick mineral board construction with Rounded corner or radiused edge option available at upcharge. Panel or wall mounting options. 			

Order Code	Ordering Information	Mounting Options
Example: F-60-14-S1-A-40-W337/4 F-PM-R-14	<i>Specify:</i> 1. Pattern number 2. Corner/edge detail 3. Fabric grade 4. Fabric selection 5. Mounting option pattern number 6. System suffix (panel-mounted option only)	<i>Panel-mounted brackets:</i> Panel-mounted brackets are included in the list price but must be specified separately. To specify appropriate panel-mounted bracket, consult the KnollExtra bracket chart on page 12.
F-60-14 60" x 14" fabric board		
S1 Squared corner/rectilinear edge		
A Thickness		
40 Fabric grade		
W337/4 Sennit, Olivine		
F-PM Panel-mounted		
R Reff		
14 14" Fabric board bracket		
	<i>Equity application note:</i> For all Equity panel-mounted applications, add "E" to end of base pattern number.	
	<i>Corner/edge detail:</i> Squared corner/rectilinear edge (S1) Squared corner/radiused edge (S2) Rounded corner/radiused edge (R2)	
		<i>Wall-mounted options:</i> Wall-mounted applications must be specified as flush (F-WM-F) or reveal (F-WM-R). Both options are appropriate for any smooth, clean surface. Flush wall-mount option utilizes velcro squares.

pattern no.	list price
F-WM-R-(14, 16, 18, 20 or 24)	\$92.
F-WM-F-(24, 30, 36, 42, 48, 60)- (14, 16, 18, 20 or 24)	28.
F-PM-D-(14, 16, 18, 20 or 24)	35.
F-PM-E-(14, 16, 18, 20 or 24)	35.
F-PM-M-(14, 16, 18, 20 or 24)	35.
F-PM-R-(14, 16, 18, 20 or 24)	35.
R2	28.
S2	28.
S1	n/c

Custom Options

Under overhead specification note:
For application under a system overhead, provide clearance distance between the worksurface and the bottom of the overhead or task light.

Side by side fabric board specification note:
Please note if a panel-mounted fabric board will be used contiguous to another fabric board drawings are required and there will be an up-charge.

Construction

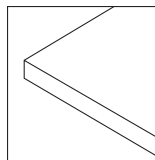
1/2" thick mineral board for durable, highly tackable surface.

For special sizes:
Refer to the standard size scope. Locate the standard fabric board size which is equal to or greater in width and depth than the requested special. Add 10% to the standard list price. Note "special" when ordering. For specials above 60"W x 24"H, contact Customer Service. Maximum fabric board size is 120"W x 24"H. Fabric must be railroaded on any panel wider than 60".

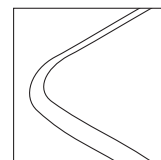
Customer's own material:
For approval, submit at least one yard of fabric for application testing. For panel-mounted applications, all COMs and textiles that are not pre-approved must be UL-tested. Please consult KnollExtra Customer Service for details.

Corner/Edge Detail

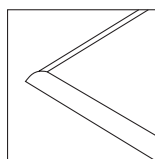
S1. Squared corner/Rectilinear edge



R2. Rounded corner/Radiused edge



S2. Squared corner/Radiused edge



Universal Fabric Boards

Top Cap Hung Marker Board

product	description	application	w	d	h
Top Cap Hung Marker Board	<ul style="list-style-type: none"> • Incorporates erasable surface. • Includes tray for markers and erasers. 		30"	3"	36"
	Mounting Option	Wall Rail			



Order Code

Example: PR MB 3036
PR MB Top Cap Hung Marker
3036 Board

KnollNow: ➔

Top Cap Hung Marker Board is available in the KnollNow Program. Maximum order quantity of 25 units per line item.

Ordering Information

Specify:
 1. Pattern number

Mounting Options

Top cap hung marker board:
 Marker boards hang from top of systems panels between .375" and 2.5" inches wide.

Reveal wall-mount option provides 1/2" clearance for wire management behind fabric board. Fabric boards mount with 4 brackets onto 2 black painted wall rails that screw into wall to ensure rigidity. For other mounting options and pricing, consult Customer Service.

Construction

Top cap hung marker board:
 White laminate surface on Sintra core. Extruded aluminum trough.

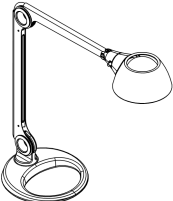




Manufactured in the United States.

Wall Rail:
 Machined aluminum powder coated light grey to match top cap hung marker board trough.

pattern no.	list price
PR-MB-3036 →	\$619.
PR-MB-WM-Rail	28.

Copeland™ Light

by Stephan Copeland

product	description
Standard Arm  <p><i>Shown with base</i></p>	<ul style="list-style-type: none"> • Standard Arm. • 15 watt compact fluorescent bulb (equivalent of 75 watt incandescent bulb)
Compact Arm  <p><i>Shown with base</i></p>	<ul style="list-style-type: none"> • Compact Arm. • 13 watt compact fluorescent bulb (equivalent of 60 watt incandescent bulb)
Standard base 	<ul style="list-style-type: none"> • Standard base. • To be used with standard arm only
Compact base 	<ul style="list-style-type: none"> • Compact base. • To be used with compact arm only
Table clamp 	<ul style="list-style-type: none"> • Table clamp. • To be used with either size arm. • Works on desks of up to 1 3/4" thick.
Replacement bulb	<ul style="list-style-type: none"> • Replacement bulb for Compact light • Replacement bulb for Standard light

Order Code

Example: **COPE-01-SV,COPE-01-BASE-SV**

COPE-01- Copeland light standard arm in silver

COPE-01- Copeland light standard **BASE-SV** are base in silver

Ordering Information

Specify:

1. Pattern number for arm
2. Finish for arm
3. Mounting option pattern number
4. Mounting option finish

Finish Options:
White (WH)
Silver (SV)

Light Bulb Information

Standard Light:




- Ships with a 15 watt compact fluorescent light bulb. This is equivalent light output of a 75 watt incandescent light bulb.
- An incandescent light bulb can also be used. 75 watt is the maximum.
- See above for bulb replacement.

pattern no.	list price
COPE-01-()	\$165.
COPE-02-()	155.
COPE-01-BASE-()	90.
COPE-02-BASE-()	85.
COPE-CLMP-()	50.
COPE02BULB	12.
COPE01BULB	12.

Construction	Design Awards
<p>Compact Light:</p> <ul style="list-style-type: none"> • Ships with a 13 watt compact fluorescent light bulb. This is equivalent light output of a 60 watt incandescent light bulb. • A “ceiling fan” incandescent bulb can also be used. 60 watt is the maximum. 	<p>The Copeland Light has a steel arm, aluminum axles, zinc coated cast iron base and metallic-painted ABS shade.</p> <p>Best of NeoCon 2005, Silver Award</p>

Halley™ Collection

Designed by Richard Sapper for Lucesco Lighting™

product	description	w	height	reach
Halley Compact 	<ul style="list-style-type: none"> • LED Lamp. • 20W. • Fully dimmable. 	10 lbs.	40"	43"
Halley Desk 	<ul style="list-style-type: none"> • LED Lamp. • 20 Watt LED. • Fully dimmable. 	11 lbs.	51"	48"
Halley Floor 	<ul style="list-style-type: none"> • LED Floor Lamp. • 20 Watt LED. • Fully dimmable. 	26 lbs.	84"	48"

Order Code	Ordering Information	Lamp Information	Construction
Example: LL-HC-SV LL Lucesco HC Halley Compact SV Silver	<i>Specify:</i> 1. Choose Arm 2. Specify Arm Finish <i>Color Options:</i> Silver (SV) Black (BK)	<ul style="list-style-type: none"> • LED is Light Emitting Diode. • Life of LEDs are 25,000 hours. There is no replacement bulb for LED.	Base is Zinc Arms are Steel

pattern no.	list price
LL-HC-()	\$1,140.
LL-HD-()	1,195.
LL-HF-()	1,450.

Design Awards

Best of NeoCon 2005, Gold Award

Bella Light Fixture by Artemide®

product	description	w	d	h	wgt.
Bella	<ul style="list-style-type: none"> • Designed by Riccardo Blumer. • Fully adjustable arm. • Incandescent lamping (bulb not included). • UL listed. • On/Off switch incorporated into lamp holder. • Available in brushed aluminum finish. 	Arm - 3/8", Diffuser - 5"	Arm - 1/2", Diffuser - 5 1/2"	Arm - 23" min. - 44" max., Diffuser - 3"	1.5 lbs.



Shown with table base (order separately)


Mounting Options		w	d	h	wgt.
	Fixed table mount - Requires field drill				
	Load bar mount				
	Panel mount - mid run				
	Table base	8 1/2"	10"	1/4"	5.75 lbs.
	Table clamp				

Order Code	Ordering Information	Construction
Example: ART-BEL-STD-BA ART-BEL-TABC-MTAL	<i>Specify:</i> 1. Pattern number 2. Mounting option	<i>Arm:</i> Extruded aluminum.
ART-BEL-STD-BA - Bella Light Fixture	<i>Lamp information:</i> Requires one 100W (max.) bulb INC	<i>Joints:</i> Die-cast aluminum.
ART-BEL-TABC-MTAL - Desk Clamp Bracket		<i>Diffuser:</i> Anodized aluminum.
		<i>Tension spring:</i> Stainless steel.
		<i>Base:</i> Painted steel.


pattern no.	list price
ART-BEL-STD-BA	\$357.

ART-BEL-TABF-MTAL	95.
ART-TOL-BELLA-LBZ-BK	67.
ART-TOL-BELLA-PMM-BK	98.
ART-BEL-LBASE-BA	173.
ART-BEL-TABC-MTAL	78.


Tolomeo Light Fixtures by Artemide®

product	description	type	dia	w	d	h	wt.
	<ul style="list-style-type: none"> Fully adjustable arm. Incandescent lamping (bulb not included). UL listed. 	Diffuser -	1/4"	1"	25" min. -	3 lbs. 8	
			5 3/4" dia.			54 1/2" oz.	max

Shown with 9" base

	<ul style="list-style-type: none"> 20% smaller fixture than standard Tolomeo. Fully adjustable arm. Incandescent lamping (bulb not included). UL listed. 	Diffuser -	1/4"	1"	21" min. -	3 lbs. 8
			5 3/4" dia.			40 1/2" oz.

Shown with 8" base

	<ul style="list-style-type: none"> Special diffuser for lighting video display terminal work areas. Fully adjustable arm. Mounted on the Tolomeo Mini arm. Fluorescent lamping (bulb not included). UL listed. 	Diffuser -	1/4"	1"	32" min. -	3 lbs. 8
			10 1/2" x			44 1/4" oz.
			2 1/2" x			max
			1 1/4"			

Shown with 8" base

Standard, Mini, and VDT Mounting Options	Slatwall/load bar bracket		4 1/4"	3"	2"	11 oz.
	Fixed table mount - Mounts to virtually any worksurface up to 2 1/2" thick. Requires hole drilled in field.	1 3/8" dia.			5"	
	Table clamp - Can be clamped to the edge of or in the grommet hole of virtually any worksurface up to 2" thick.	2 1/4" dia.			4 1/2"	
	8" table base for use with Mini and VDT Tolomeo fixtures. See finish note below.	8" dia.			5/8"	7 lbs.
	9" table base for use with the Tolomeo std. fixture. See finish note below.	9" dia.			5/8"	8 lbs.
	Panel mount bracket (mid run). Universal.	4"	3 1/2"	3"		10 oz.
	Panel mount bracket (mid run). For Dividends.	4"	3 1/2"	3"		10 oz.

Order Code

Example:	ART-TOL-MIN-BK
	ART-BASE8-AL
ART-TOL-MIN	Tolomeo Mini Fixture
BK	Black finish
ART-BASE8	8" Table base
AL	Aluminum base finish

Ordering Information

Specify:

1. Pattern number
2. Finish
3. Mounting option
4. Mounting finish (Table bases ART-BASE9 and ART-BASE8 only)

Lamp information:

Incandescent
Requires one 100W (max.) bulb
INC
Fluorescent
Requires one 13W bulb
FLU PL-S 13W
Micro
Requires one 60W bulb. G-16 1/2 (2") 120V.

Table base finishes:

Polished aluminum (AL) →
Black (BK)

KnollNow: →

Denoted products available in the KnollNow Program. Maximum order quantity of 25 units per line item.

Fixture body finishes:

Polished aluminum (AL) →
Black (BK)

pattern no.	list price
ART-TOL-STD-(AL,BK) →	\$375.
ART-TOL-MIN-(AL,BK)	357.
ART-TOL-VDT-(AL,BK)	465.
ART-TABC-MP-BK	67.
ART-TABF-MTAL	67.
ART-TABC-MTAL →	78.
ART-BASE8-(AL,BK)	197.
ART-BASE9-(AL,BK) →	214.
ART-BKT-PMM-BK	86.
ART-BKT-PMM-BK-D	86.

Construction

Arm:
Articulated arm body structure in extruded aluminum. Finished in high polished anodized finish.

Joints and tension control knobs:
Polished die-cast aluminum.

Tension cables:
Stainless steel.

Mini and standard diffusers:
Stamped anodized matte aluminum, rotating 360° on lampholder with incorporated on/off switch. Black, red and grey blue diffusers will have white painted interiors.

VDT diffusers:
Plastic, color to match arm. Rotates 360° on lampholder with incorporated on/off switch.

Brackets:
Table clamp: High polished die-cast aluminum


Slatwall/load bar bracket: Black die-cast aluminum

Panel mount (mid-run and corner):
Black die-cast aluminum

Fixed table mount: High polished die-cast aluminum

Crown mount: Black plastic

Tolomeo Light Fixtures by Artemide®

product	description	type	dia	w	d	h	wt.	
Standard, Mini, and VDT Mounting Options	Panel mount bracket (mid run). For Ref.			4"	3 1/2"	3"	10 oz.	
 Tolomeo Micro	<ul style="list-style-type: none"> • Small scale version of the classic. • Fully adjustable arm. • Incandescent lamping (1 bulb included). • Incandescent lamping (1 bulb included). • UL listed. • On/Off switch on cord. • Available in aluminum finish. 	Arm only	Diffuser - 4 3/8" dia.					
		Arm With table base		1/4"	3/4"	15" min. - 28" max	1 lb.	
		Load bar mount bracket for Micro fixture						
		Panel mount bracket for Micro fixture	Base - 6 1/2" dia. 1/4" h					3 lbs.

Order Code

Example:	ART-TOL-MIN-BK ART-BASE8-AL
ART-TOL-MIN	Tolomeo Mini Fixture
BK	Black finish
ART-BASE8	8" Table base
AL	Aluminum base finish

KnollNow: ➔
Denoted products available in the KnollNow Program. Maximum order quantity of 25 units per line item.

Ordering Information

- Specify:*
1. Pattern number
 2. Finish
 3. Mounting option
 4. Mounting finish (Table bases ART-BASE9 and ART-BASE8 only)

Lamp information:
Incandescent
Requires one 100W (max.) bulb
INC
Fluorescent
Requires one 13W bulb
FLU PL-S 13W
Micro
Requires one 60W bulb. G-16 1/2 (2") 120V.

Fixture body finishes:
Polished aluminum (AL) ➔
Black (BK)

Table base finishes:
Polished aluminum (AL) ➔
Black (BK)

pattern no.	list price
ART-BKT-PMM-BK-R	\$86.
ART-TOL-MCR-AL-NB	333.
ART-TOL-MCR-AL	435.
ART-TOL-MCR-LBZ-BK	67.
ART-TOL-MCR-PMM-BK	86.

Construction

Arm:
Articulated arm body structure in extruded aluminum. Finished in high polished anodized finish.

Joints and tension control knobs:
Polished die-cast aluminum.

Tension cables:
Stainless steel.

Mini and standard diffusers:
Stamped anodized matte aluminum, rotating 360° on lampholder with incorporated on/off switch. Black, red and grey blue diffusers will have white painted interiors.

VDT diffusers:
Plastic, color to match arm. Rotates 360° on lampholder with incorporated on/off switch.

Brackets:
Table clamp: High polished die-cast aluminum

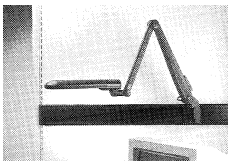
Slatwall/load bar bracket: Black die-cast aluminum

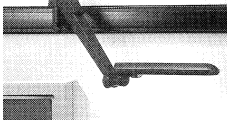
Panel mount (mid-run and corner):
Black die-cast aluminum

Fixed table mount: High polished die-cast aluminum

Crown mount: Black plastic

Little Dipper and Big Dipper Lighting System

product	description	w	d	h	wgt.	bulb type	watts
Big Dipper 	<ul style="list-style-type: none"> • 34" arm reach. • 18 watt fluorescent tube that provides output equivalent to an ordinary 100 watt lamp. • Applicable on virtually all systems. • Four joints easily adjust lamp to needs of user. • Shade adjusts to minimize glare and eyestrain. • Matte black plastic. • UL-listed. 	34"	3"	2"	3 lbs. 4 ozs.	Fluorescent	PL18

Little Dipper 	<ul style="list-style-type: none"> • 19" arm reach. • 18 watt fluorescent tube that provides output equivalent to an ordinary 100 watt lamp. • Applicable on virtually all systems. • Three joints easily adjust lamp to needs of user. • Shade adjusts to minimize glare and eyestrain. • Matte black plastic. • UL-listed. 	19"	3"	2"	2 lbs. 8 ozs.	Fluorescent	PL18
--	---	-----	----	----	---------------	-------------	------

Mounting Options	Desk-Mounted Bracket	3"	1 1/4"	3 3/4"	6 ozs.
	Freestanding Weighted Base	8"	6 1/4"	2"	14 lbs.
	Load bar mount				
	Load Bar-Mounted Bracket	4 1/4"	2"	3"	11 ozs.
	Panel-Mounted Bracket - Mid-run	4"	3"	3 1/2"	10 ozs.
	Panel-Mounted Bracket for Dividends	4"	3"	3 1/2"	10 ozs.
	Panel-Mounted Bracket for Reff - Mid Run	4"	3"	3 1/2"	10 ozs.
Wall-Mounted Bracket	3 1/4"	2 1/2"	2 1/2"	12 ozs.	

Order Code

Example: **ORCH-BD**
ORCH-D-PMC

ORCH-BD Big Dipper

ORCH-D- Panel-mounted bracket,
PMC corner

Ordering Information

Specify:

1. Pattern number
2. Mounting option pattern number

Mounting bracket:

To specify appropriate panel-mounting brackets consult the KnollExtra Bracket Chart on page 13.

KnollNow: ➔

Big and Little Dipper available in the KnollNow Program. Maximum order quantity of 25 units per line item.

pattern no.	list price
ORCH-BD →	\$408.
<hr/>	
ORCH-LD →	379.
<hr/>	
ORCH-D-DM	27.
ORCH-D-BASE →	110.
ART-TOL-BELLA-LBZ-BK	67.
ORCH-D-LBZ	70.
ORCH-D-PMM →	90.
ORCH-D-PMMD	90.
ORCH-D-PMR	113.
ORCH-D-WM	27.


Construction

Constructed of fingerprint-resistant matte black plastic. 3"W x 12"D x 2"H arched shade includes full-length reflector to distribute light evenly over work area. Compact 18-watt fluorescent tube offers light output equivalent to an ordinary 100-watt lamp, and provides approximately 10,000 hours of light. 7 foot black cord.

Manufactured in Taiwan, Republic of China.

Desktop Lamp

By John Rizzi and Brooks Rorke

product	description	watts	w	d	h	wtg.	bulb type
Desktop Lamp 	<ul style="list-style-type: none"> • Freestanding. • Available in halogen. • Adjustable height extends to 19 1/2". • Dual intensity switch on halogen model. • Base and shaft in black only. • UL-listed. 	Watts: 35 or 50, Lamp: JC 12 V/50W, G 6.35	11 1/2"	11 1/2"	15 1/4"	5 lbs. 11 ozs.	H
Replacement Shades	<ul style="list-style-type: none"> • Desktop Lamp shades easily replaced or interchanged with any of the three color options. 		11 1/2"	2 1/4"	8	8 ozs.	

Order Code

Example: **ORCH-DES-H-BK**

ORCH- Desktop lamp

DES

H Halogen bulb

BK Black shade

Ordering Information

Lamp, specify:

1. Pattern number
2. Bulb type
3. Shade color

Replacement shades, specify:

1. Pattern number
2. Shade color

Bulb type:

Halogen (H)

Shade:

Black (BK) →
Opaque White (WH)
Banker's Green (GR)

KnollNow: →

Desktop Lamp with black shade is available in the KnollNow Program. Maximum order quantity of 25 units per line item.

pattern no.	list price
ORCH-DES-H →	\$399.

ORCH-DOM	41.
-----------------	-----

Construction

The weighted base is constructed of molded ABS plastic. Vertical posts are durable black aluminum. Covers are heat resistant polycarbonate. Halogen models feature dual intensity switch for 35/50 watt output. UL-listed.

Manufactured in Taiwan, Republic of China.

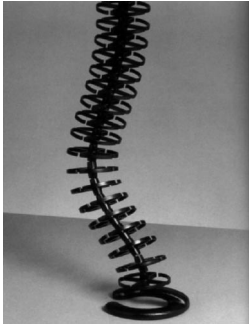
Design Award

Furniture/Lighting Gold Award, IDSA/IDEA, 1992; Silver Award, IBD Product Design Competition, 1990.

Colebrook Bosson Saunders for KnollExtra

Wire Management Spine

product	description	w	d	h	wgt.
Cable Manager	<ul style="list-style-type: none"> • Cable Management Spine • Guides cable from underside of worksurface to floor. • Has four compartments to separate power, data, and voice cable. • Easy access to cables - no tools required. • Color - Black 			29.13"	



Order Code

Example: **CBS-WM-4CL**
CBS-WM- Cable Manager
4CL

Ordering Information

Specify:
 1. Pattern number

Construction

Plastic spine with cast iron base.

pattern no.

list price

CBS-WM-4CL

\$218.

<i>pattern no.</i>	<i>page</i>	<i>pattern no.</i>	<i>page</i>	<i>pattern no.</i>	<i>page</i>	<i>pattern no.</i>	<i>page</i>
001-214	40	3604	34	BP-DCF	142	F-60-20	156
001-315	40	3605	34	BP-DCF-17	142	F-60-24	156
009-12	40	3612-3	38	BP-DSF	140	FLD-H-SORT-LG	58
012-1	20	3612-4	38	BP-KFD	146	FLD-H-SORT-LT	58
012-2	20	3613	38	BP-L	142, 146, 148	FLD-MEMO	56
012-3	20	3614	38	BP-NKD	144	FLD-PENS	56
012-4	20	3615	34	BP-PD	148	FLD-SORT	56
050	22	3633	34	BP-SCF	142	FLD-TRAY01	56
055-BO	22	3643	36	BP-SSF	140	FLD-TRAY02	58
1-2600	52	3645	36	BP-TOP-C	148	FLD-TRAY04	58
1-2601	52	3650	38	BP-WKD	144	FLD-TRAY05	58
1-2602	52	4B2-MP	98	BP-WKD-25	144	FLD-TUNE	56
1901	16	4B2-MP-MS	98	CBS-JAW-CPU	128	F-PM-D-(14, 16, 18, 20 or 24)	158
1901-2	16	4B2-MP-WR	88	CBS-JAW-CPU-R	128	F-PM-E-(14, 16, 18, 20 or 24)	158
1901-3	16	4B2-WR	98	CBS-JF	134	F-PM-M-(14, 16, 18, 20 or 24)	158
1905	18	512-20	20, 32, 38	CBS-LJ	134	F-PM-R-(14, 16, 18, 20 or 24)	158
1906	18	ART-BASE8-(AL,BK)	168	CBS-LOOP-CPU	128	F-WM-F-(24, 30, 36, 42, 48, 60)- (14, 16, 18, 20 or 24)	158
1912-20	20, 32, 38	ART-BASE9-(AL,BK)	168	CBS-LOOP-CPU-R	128	F-WM-R-(14, 16, 18, 20 or 24)	158
1912-30	20	ART-BEL-LBASE-BA	166	CBS-MBL-CPU	126	LL-HC	164
1912-31	20	ART-BEL-STD-BA	166	CBS-WM-4CL	176	LL-HD	164
1912-32	20	ART-BEL-TABC-MTAL	166	CLAM-CPU-01	126	LL-HF	164
1912-40	20	ART-BEL-TABF-MTAL	166	CLAM-CPU-02	126	MCO-BOD	52
1912-41	20	ART-BKT-PMM-BK	168	CLAM-L-01	126	OA-CPU-MTL-V	130
1912-42	20	ART-BKT-PMM-BK-D	168	CLAM-L-02	126	OA-CPU-SLNG-V	130
1915	18	ART-BKT-PMM-BK-R	170	CLAM-T	126	OA-CSK-A	132
1916	18	ART-TABC-MP-BK	168	COPE-01	162	OA-CSK-LT	132
2020-020	42	ART-TABC-MTAL	168	COPE-01-BASE	162	OA-FR-BK	104
2020-032	42	ART-TABF-MTAL	168	COPE01BULB	162	OAK-A1	94
2020-035	42	ART-TOL-BELLA-LBZ-BK	166, 172	COPE-02	162	OAK-A2-P-1-EL-BK	96
2020-038	42	ART-TOL-BELLA-PMM-BK	166	COPE-02-BASE	162	OAK-A2-P-1-SL-BK	96
2020-150	42	ART-TOL-MCR-AL	170	COPE02BULB	162	OAK-A2-P-1-SS-BK	96
250	22	ART-TOL-MCR-AL-NB	170	COPE-CLMP	162	OA-K-EL-MS	92
255	22	ART-TOL-MCR-LBZ-BK	170	EFM-IVYU	52	OA-K-MS	92
256	24	ART-TOL-MCR-PMM-BK	170	F-24-14	154	OAK-OTK-MP	98
2ORCH-F-LT	60	ART-TOL-MIN-(AL,BK)	168	F-24-16	154	OA-K-PR-EL-BK	90
2ORCH-S-LCT	62	ART-TOL-STD-(AL,BK)	168	F-24-18	154	OA-K-PR-SL-BK-(17, 19, 21, 23)	90
2ORCH-S-LT	60	ART-TOL-VDT-(AL,BK)	168	F-24-20	154	OA-K-PR-SS-BK	90
3030-095	42	BB-21-3PD-CE8	136	F-24-24	154	OA-K-RJ-EL-BK	88
3030-120	42	BB-21-3PD-SN8	136	F-30-14	154	OA-K-RJ-EL-P-BK	88
3030-160	42	BB-21-3PL-CE8	136	F-30-16	154	OA-K-RJ-SL-BK-(17, 19, 21, 23)	88
3031-200	42	BB-21-3PL-SN8	136	F-30-18	154	OA-K-RJ-SS-BK	88
3031-600	42	BB-21-NOP-CE8	136	F-30-20	154	OA-K-RJ-SS-P-BK	88
3032-200	42	BB-21-NOP-SN8	136	F-30-24	154	OA-K-SS-MS	92
3301	26	BB-23-3PD-CE8	136	F-36-14	154	OA-PFD-N	132
3301-2	26	BB-23-3PD-SN8	136	F-36-16	154	OA-PFD-W	132
3304	30	BB-23-3PL-CE8	136	F-36-18	154	OA-SLV(A,B,C)-(E, J)	104
3305	28	BB-23-3PL-SN8	136	F-36-20	154	OA-SLV(A,B,C)-(GS, BS)	104
3312-3	32	BB-23-NOP-CE8	136	F-36-24	154	OR-BKT-PM-B	84
3312-4	32	BB-23-NOP-SN8	136	F-42-14	154	OR-BKT-PM-CE	84
3313	32	BB-29-3PL-CE8	136	F-42-16	154	OR-BKT-PM-CS	84
3314	32	BB-29-3PL-SN8	136	F-42-18	156	OR-BKT-PM-D	84
3315	28	BB-29-NOP-CE8	136	F-42-20	156	OR-BKT-PM-DS	84
3319-4	28	BB-29-NOP-SN8	136	F-42-24	156	OR-BKT-PM-DV	84
3319-4-LN	28	BB-AV-CE8	138	F-48-14	156	OR-BKT-PM-E	84
3333	26	BB-AV-SN8	138	F-48-16	156	OR-BKT-PM-ES	84
3343	28	BB-BIN	138	F-48-18	156	OR-BKT-PM-M	84
3345	28	BB-KB-CE8	138	F-48-20	156	OR-BKT-PM-N	84
3350	32	BB-KB-SN8	138	F-48-24	156	OR-BKT-PM-R	84
3370 (4" x 6")	30	BB-SH	138	F-60-14	156	OR-BKT-SM-A	84
3371 (5" x 7")	30	BB-WSH-CE8	138	F-60-16	156	OR-BKT-WM	84
3601	34	BB-WSH-SN8	138	F-60-18	156		

<i>pattern no.</i>	<i>page</i>	<i>pattern no.</i>	<i>page</i>	<i>pattern no.</i>	<i>page</i>	<i>pattern no.</i>	<i>page</i>
ORCH-BD	172	OR-LBI-54-N2-()()	74	OR-SL-14-48-EY-()()	82	STL-15	50
ORCH-BDN	64	OR-LBI-54-()()	74	OR-SL-14-48-()()	82	STL-2004	44
ORCH-CCH	70	OR-LBI-60-DV-()()	74	OR-SL-14-54-EY-()()	82	STL-486	48
ORCH-D-BASE	172	OR-LBI-60-ES-()()	76	OR-SL-14-54-()()	82	STL-685-13	48
ORCH-D-DM	172	OR-LBI-60-EY-()()	76	OR-SL-14-60-ES-()()	82	STL-9	50
ORCH-DES-H	174	OR-LBI-60-N2-()()	74	OR-SL-14-60-EY-()()	82	STL-900	44
ORCH-D-LBZ	172	OR-LBI-60-()()	74	OR-SL-14-60-()()	82	STL-900-1	54
ORCH-DOM	174	OR-LBI-66-EY-()()	76	OR-SL-14-66-EY-()()	82	STL-900-2	54
ORCH-DP	72	OR-LBI-66-N2-()()	74	OR-SL-14-66-()()	82	STL-900-3	54
ORCH-D-PMM	172	OR-LBI-66-()()	74	OR-SL-14-72-ES-()()	82	STL-915	44
ORCH-D-PMMD	172	OR-LBI-72-DV-()()	74	OR-SL-14-72-EY-()()	82	WSH-01-MP-FR	106
ORCH-D-PMR	172	OR-LBI-72-ES-()()	76	OR-SL-14-72-()()	82	WSH-01-MP-SR	106
ORCH-D-WM	172	OR-LBI-72-EY-()()	76	OR-WB-24-18	152	WSH-01-PT-FR-(BK, SV)	106
ORCH-F-LT	60	OR-LBI-72-N2-()()	74	OR-WB-24-18-E	152	WSH-01-PT-FR-K-(BK, SV)	106
ORCH-FS	64	OR-LBI-72-()()	74	OR-WB-30-18	152	WSH-01-PT-SR-(BK, SV)	106
ORCH-HFH	66	OR-MS-12	66	OR-WB-30-18-E	152	WSH-01-PT-SR-K-(BK, SV)	106
ORCH-LD	172	OR-SL-06-24-EY-()()	78	OR-WB-30-24	152	WSH-01-TB-FR	108
ORCH-MT	68	OR-SL-06-24-N2-()()	78	OR-WB-30-24-E	152	WSH-01-TB-SR	108
ORCH-PC	66	OR-SL-06-24-()()	78	OR-WB-36-18	152	WSH-02-MP-FR	110
ORCH-PD-A	150	OR-SL-06-30-ES-()()	78	OR-WB-36-18-E	152	WSH-02-MP-SR	110
ORCH-PF-LD	86	OR-SL-06-30-EY-()()	78	OR-WB-36-24	152	WSH-02-PT-FR	110
ORCH-PF-LG	86	OR-SL-06-30-N2-()()	78	OR-WB-36-24-E	152	WSH-02-PT-SR	110
ORCH-PF-LT	86	OR-SL-06-30-()()	78	OR-WB-42-24	152	WSH-02-TB-FR	110
ORCH-PF-SD	86	OR-SL-06-35-()()	78	OR-WB-42-24-E	152	WSH-02-TB-SR	110
ORCH-SB	62	OR-SL-06-36-ES-()()	78	OR-WB-42-30	152	WSH-03-PT-FR	112
ORCH-S-LGT	60	OR-SL-06-36-EY-()()	78	OR-WB-42-30-E	152	WSH-03-PT-SR	112
ORCH-S-LT	60	OR-SL-06-36-N2-()()	78	OR-WB-48-30	152	WSH-03-SW-FR	112
ORCH-SSD	64	OR-SL-06-36-()()	78	OR-WB-48-30-E	152	WSH-03-SW-SR	112
ORCH-TD	68	OR-SL-06-42-ES-()()	78	OR-WB-LBZ	152	WSH-03-TB-FR	112
ORCH-TS-UNI	70	OR-SL-06-42-EY-()()	78	OR-WB-PM-B	152	WSH-03-TB-SR	112
ORCH-UT	66	OR-SL-06-42-N2-()()	78	OR-WB-PM-D	152	WSH-200-PT-CLP-O-(BK, SV)	112
ORCH-VAS	70	OR-SL-06-42-()()	78	OR-WB-PM-DV	152	WSH-300-PT-CLP-O-(BK, SV)	112
ORCH-VPP	64	OR-SL-06-45-()()	78	OR-WB-PM-E	152	WSH-B2B-(BK, SV)	118
ORCH-WBK	72	OR-SL-06-48-ES-()()	78	OR-WB-PM-M	152	WSH-B2B-PT-FR-(BK, SV)	108
ORCH-WBK-R-EB	72	OR-SL-06-48-EY-()()	78	OR-WB-PM-R	152	WSH-B2B-PT-SR-(BK, SV)	108
OR-LBI-24-EY-()()	76	OR-SL-06-48-N2-()()	78	OR-WB-TCM-DV	152	WSH-CLMP-(BK, SV)	116
OR-LBI-24-N2-()()	74	OR-SL-06-48-()()	78	OR-WB-TCM-E	152	WSH-CLMP-TM-(BK, SV)	116
OR-LBI-24-()()	74	OR-SL-06-54-EY-()()	78	OR-WB-TCM-M	152	WSH-FPB-CCM	116
OR-LBI-30-C-()()	74	OR-SL-06-54-N2-()()	78	OR-WB-TCM-NS	152	WSH-FPB-CSL	116
OR-LBI-30-ES-()()	76	OR-SL-06-54-()()	78	OR-WB-TCM-R	152	WSH-FPB-WM	120
OR-LBI-30-EY-()()	76	OR-SL-06-60-ES-()()	78	OR-WB-TR	152	WSH-CRMT-(BK, SV)	118
OR-LBI-30-N2-()()	74	OR-SL-06-60-EY-()()	80	OR-WB-WM	152	WSH-CRMT-R-(BK, SV)	118
OR-LBI-30-()()	74	OR-SL-06-60-N2-()()	78	PR-MB-3036	160	WSH-MFR-(BK, SV)	118
OR-LBI-35-()()	74	OR-SL-06-60-()()	78	PR-MB-WM-Rail	160	WSH-PT-CLP-O-(BK, SV)	112
OR-LBI-36-CS-()()	74	OR-SL-06-66-EY-()()	80	R2	158	WSH-PTM-75-(BK, SV)	116
OR-LBI-36-C-()()	74	OR-SL-06-66-N2-()()	78	S1	158	WSH-ROT-300-PT-SR-K-(BK, SV)	122
OR-LBI-36-DV-()()	74	OR-SL-06-66-()()	78	S2	158	WSH-ROT-400-PT-SR-K-(BK, SV)	122
OR-LBI-36-ES-()()	76	OR-SL-06-72-ES-()()	78	SF-LS	100	WSH-ROT-PT-SR-(BK, SV)	122
OR-LBI-36-EY-()()	76	OR-SL-06-72-EY-()()	80	SF-MP-FS-(BK)-G	100	WSH-TB-36	114
OR-LBI-36-N2-()()	74	OR-SL-06-72-N2-()()	78	SF-SB-(E, J)	102	WSH-TB-48	114
OR-LBI-36-()()	74	OR-SL-06-72-()()	78	SF-SB-(GS, BS)	102	WSH-TB-60	114
OR-LBI-42-DV-()()	74	OR-SL-14-24-EY-()()	82	SF-WR-FS-(BK)-G	100	WSH-TB-BRKT	118
OR-LBI-42-ES-()()	76	OR-SL-14-24-()()	82	STL-01-2	46	WSH-XP-200-(BK, SV)	114
OR-LBI-42-EY-()()	76	OR-SL-14-30-ES-()()	82	STL-014-2	46	WSH-XP-300-(BK, SV)	114
OR-LBI-42-N2-()()	74	OR-SL-14-30-EY-()()	82	STL-015-1	46	WSH-XP-CLP-O-(BK, SV)	112
OR-LBI-42-()()	74	OR-SL-14-30-()()	82	STL-019-1	46	WSH-ZOR-200-PT-SR-K-(BK, SV)	124
OR-LBI-45-()()	74	OR-SL-14-35-()()	82	STL-04-2	46	WSH-ZOR-300-PT-SR-K-(BK, SV)	124
OR-LBI-48-CS-()()	74	OR-SL-14-36-ES-()()	82	STL-05-1	46	WSH-ZOR-400-PT-SR-K-(BK, SV)	124
OR-LBI-48-C-()()	74	OR-SL-14-36-EY-()()	82	STL-06-2	46	WSH-ZOR-PT-SR-(BK, SV)	124
OR-LBI-48-DV-()()	74	OR-SL-14-36-()()	82	STL-06-3	46		
OR-LBI-48-ES-()()	76	OR-SL-14-42-ES-()()	82	STL-10	50		
OR-LBI-48-EY-()()	76	OR-SL-14-42-EY-()()	82	STL-1000	44		
OR-LBI-48-N2-()()	74	OR-SL-14-42-()()	82	STL-11	50		
OR-LBI-48-()()	74	OR-SL-14-45-()()	82	STL-1100	44		
OR-LBI-54-EY-()()	76	OR-SL-14-48-ES-()()	82	STL-13	50		

Product Index

A

Adjustable Keyboard Support	88, 90, 92, 94, 96
Appointment Book	28

B

Back Rest	<i>(see Lumbar Support)</i>
Barware	<i>(see Glassware)</i>
Bebop	136
Binder Bin	64
Book Ends	26, 34
Bottle Coaster	<i>(see Coaster, Bottle)</i>
Bud Vase	<i>(see Vase)</i>
Business Card Holder	18, 70

C

Calendar, Bookstyle	36, 30
Replacement Parts	40
Carafe (see also Pitcher)	44, 50
Replacement Parts	54
Card Index	28
Clip Cup	18
Clip/Cup Holder	70
Clock	52
Coaster, Bottle	48
Coasters	28, 48
Coffee Pot	46
Combination Set	30
Computer Accessories	
CPU Holder	126, 128
Disk Holder	68
Foot Rest	104
Lumbar Support	100
Monitor Lift	114, 116, 118, 120
Mouse Pad	88, 90, 96, 98, 100
Palm Rest	100
Printer Drawer	130
Conference Pad	20, 32, 38
Cork Board	<i>(see Tack Board)</i>
CPU Holder, Adjustable	126, 128
Creamer	44, 46, 50

D

Desk Pad	20, 32, 38, 72
Desktop Lamp	<i>(see Lamp)</i>
Diagonal Paper Tray	<i>(see Slanted Sorter)</i>
Disk Holder	68
Diskette Tote	86
Drawer	
Fax	130
File	140
Keyboard	144-146
Pencil	148, 150
Printer	130
Storage	140-148

F

Fabric Board	154-20
Fax Drawer	130
File Holder	140
File Sorter	64
File Tote	86
Flat Panel Monitor Arm	<i>(see Monitor lift)</i>
Foot Rest	104

G

Glassware	42
-----------	----

H

Hanging File Holder	66
---------------------	----

I

Ice Bucket	46, 48
Ice Tongs	48
Index File	<i>(see Card Index)</i>

K

Keyboard Support	
Adjustable	<i>(see Adjustable Keyboard Support)</i>
Drawer	144-146

L

Lamp, Desktop	174
Lamp, Replacement Shade	174
Letter Tray	
Cover/Hood	26, 34
Legal, Single	16, 26, 34
Legal, Double	16, 26

Product Index

L

Letter Tray (cont.)	
Legal, Triple	16
Letter, Front Single	60
Letter, Front Double	60
Letter, Side Single	60
Letter, Side Double	60
Legal, Side Single	60
Legal, Side Double	62
Stacking Brackets/Posts	40, 62
Library Set	18
Light	
Bella	166
Big and Little Dipper	172
Desktop	174
Halley	164
Tolomeo	168
Load Bar/Info Rail (see also Slatboard)	74
Desk-Mounted	74, 78, 84
Panel-Mounted	74, 78, 84
Stanchion-Mounted	74, 78, 84
Wall-Mounted	74, 78, 84
Lumbar Support	100

M

Marker Board	152
Memo Box Holder/Tray	18, 28, 34, 68
Mini-Shelf	66
Monitor Lift	110, 114, 116, 118, 120
Mouse Pad	100

N

Note Pad Holder	38
-----------------	----

P

Palm Rest	100
Pen Set, Double	26, 34
Pencil Cup	18, 28, 66
Pencil Drawer	(see <i>Drawer</i>)
Picture Frame	30
Pitcher	(see <i>Carafe</i>)
Printer Drawer	130

S

Serving Tray	(see <i>Tray</i>)
Slanted Sorter	64
Slatboard	78, 82
Sloped Tray	(see <i>Slanted Sorter</i>)
Stacking Rack	64
Storage Drawer	(see <i>Drawer</i>)
Sugar Bowl	44, 46, 50
Support Rail	(see <i>Load Bar/Info Rail</i>)
Surf Board	(see <i>VDT Corner</i>)

T

Tape Dispenser	68
Tea Pot	46
Telephone Shelf	70
Tray	44, 50

U

Umbrella Stand	52
Utility Tray	66

V

Vase	70
VDT Carousel	104
VDT Corner	102
Vertical Bin	(see <i>Binder Bin</i>)
Vertical Paper Pack	64

W

Wall Rack	(see <i>Stacking Rack</i>)
Wastebasket	22, 24, 32, 38, 72
Water Pitcher	(see <i>Pitcher</i>)
White Board	(see <i>Marker Board</i>)
Wishbone	(see <i>Monitor Lift</i>)
Wrist Rest	(see <i>Palm Rest</i>)

Selling Policy

	<p>This Selling Policy supercedes all previous selling policies. Prices, discounts and product offerings are subject to change without notice.</p>
Terms & Conditions of Sales	<p>Sales by Knoll, Inc. or Knoll North America Corp. ("Seller") of Knoll Product Lines (hereinafter "Products") within the United States and Canada are made only on the terms which are contained in this Selling Policy. Seller hereby gives notice of its objection to any different or additional terms and conditions. This sale is expressly conditional upon Purchaser's assent to the terms and conditions set forth below. Additional terms and conditions may apply to KnollStudio and KnollTextiles orders. These terms and conditions may be modified or supplemented only by a written document signed by an authorized representative of Seller. These terms and conditions supercede any prior and/or contemporaneous agreements or correspondence between Purchaser and Seller. Written quotations expire thirty (30) days from the date of issuance and can be withdrawn by written notice anytime during that period. Where Purchaser and Seller have entered into the Knoll Electronic Terms and Conditions, all orders, acknowledgements, invoices and other business communications placed or transmitted in accordance with the Knoll Electronic Terms and Conditions shall be deemed to be in writing and signed and shall be valid for all purposes as if they were originated and maintained in documentary form.</p>
Ordering Information	<p>All orders must be in writing. The product pattern number(s) contained on Seller's order acknowledgement shall be the final expression of the order.</p>
Order Confirmation	<p>A purchase order is not binding on Seller until Purchaser has received Seller's order confirmation or acknowledgment.</p>
Pricing Policies	<p>List prices are subject to change without notice.</p> <p>List prices shall be those prices in effect on the date of receipt of a complete purchase order unless shipment is requested more than ninety (90) days after order entry in which case prices in effect on the date of shipment apply. List prices include specified freight costs. Unless specified in writing by Seller, no other charges are included in Seller's list prices.</p>
Taxes	<p>All sales, use, excise and other taxes applicable to the sale of the Products shall be paid by Purchaser. If Purchaser claims an exemption from any tax, Purchaser shall submit to Seller the appropriate exemption certificates.</p>
Terms of Payment	<p>Payment for one hundred percent (100%) of the net order amount is due within thirty (30) days of the date of invoice, which is issued upon shipment. In case of any discrepancies, such as shortages, and Seller is notified in writing within ten (10) days of receipt of Product, only that portion may be deducted and the balance paid. For orders greater than \$100,000 net, a one-third (1/3) deposit is due at the time of order placement, with the remainder due within thirty (30) days of the date of invoice.</p> <p>KnollStudio orders less than \$2,000 require payment for one hundred percent (100%) of the net order amount (including any applicable sales tax and charges for inside delivery, special packaging, etc.), due at time of order placement. For KnollStudio orders greater than \$2,000, a one-half (50%) deposit is due at time of order placement with the remainder (including any applicable sales tax and charges for inside delivery, special packaging, etc.) due prior to shipment.</p> <p>If, in the judgment of Seller, Purchaser's financial condition does not justify the terms of the payment, Seller may require full or partial payment in advance.</p> <p>Past due accounts shall be charged one and one-half percent (1.5%) per month, or the highest rate permitted by law, whichever is less, and will be added to the outstanding balance. In the event Purchaser defaults on payment, Purchaser shall be liable for all collection costs, including reasonable attorney's fees and costs.</p>
Changes and Cancellation	<p>Purchase orders may not be changed or cancelled, in whole or in part, without prior written consent of Seller. Changes may effect delivery dates. Expenses incurred because of changes shall be charged to Purchaser. In the event of cancellations, Purchaser will be liable for reasonable cancellation charges established by Seller. Orders for special Product, orders including "COM" (hereinafter defined) material and orders pursuant to expedited delivery programs, may not be canceled.</p>
Freight Prepaid	<p>Freight is prepaid and included in the price of all Products, except KnollTextiles, within the 48 contiguous United States and Canada, excluding the Yukon, Northwest Territories, Nunavut and Newfoundland. Packing is tested for rigorous motion and transportation but is not guaranteed to protect furniture from conditions over which the Seller has no control. If special packaging is required for any reason, please consult with your sales representative or dealer. Seller shall select the method of shipment and routing. All shipments shall be tailgate deliveries. Freight for all KnollTextiles orders is prepaid and added to the invoice.</p>
Delivery/Freight Charges	<p>Shipments outside the contiguous 48 United States and Canada shall be shipped F.O.B. Origin.</p> <p>For shipments outside the contiguous United States and Canada, Purchaser is responsible for the cost of freight from point of embarkation, including any handling and transportation charges incidental to loading at the point of departure and unloading at the final destination.</p> <p>Conditions beyond the control of Seller, including weather, available facilities and traffic conditions, may affect exact time of delivery. Seller shall not be responsible for specific carrier delivery date or time unless it has made a specific delivery commitment, in writing.</p> <p>Nonstandard methods of shipment and/or additional services are available upon request. Purchaser will be billed for the differential cost of any special services in excess of standard surface carrier freight costs. Premium charges, at Purchaser's request, will be added for airfreight, exclusive use of vehicle and extra, export or special packaging. Accessorial charges will be added for inside delivery, extra labor, reconsignment and redelivery.</p> <p>Partial shipments may be made and invoiced by Seller.</p>
Claims	<p>All shipments for all Knoll Products within the contiguous United States and Canada are F.O.B. Origin. Risk of loss passes to Purchaser at time of delivery to carrier. Purchaser shall inspect all Products upon receipt and notify Seller within ten (10) working days after receipt of any damage or defects which are, or should be, apparent from an inspection of the Product and its packaging. Failure of Purchaser to make a claim against carrier or notify Seller during the ten (10) working day period shall constitute acceptance of the Products and waiver of any apparent defects, errors or shortages. Seller will agree to repair or replace Product damaged in shipment if Purchaser has notified Seller of freight damage within ten (10) working days after receipt and assigns its rights against the carrier.</p>
Seller's Security Interest	<p>Until Seller receives the full payment for the Product, Seller shall have a security interest in the Product. Purchaser agrees to perform all acts, including but not limited to the execution and filing of documentation, which may be necessary to perfect and assure the security interest of Seller.</p>
Returns	<p>The return of Products without a written authorization by Seller shall not be accepted. To receive authorization for Product return, please call Customer Service. All Products that are returned pursuant to a valid authorization shall be subject to a twenty-five percent (25%) of list restocking charge. Products not currently offered for sale by Seller (including COM) shall not be authorized for return. All returned Products must be unused, in original condition and in the original Seller packing cartons. No refund or credit shall be given for damaged Products.</p>
Held Orders/Storage	<p>If Purchaser requests that an order be held or delayed, prices and terms and conditions in effect at the time of shipment shall apply. If Purchaser requests a delay after the time when Seller can defer production, Purchaser will be invoiced for the Product, payable in accordance with standard terms, when the order is ready for shipment. Seller may transfer the Product to storage, in which case all expenses incurred in connection with storage, including demurrage, preparation for storage, storage charges and handling shall be payable by Purchaser upon submission of invoices by Seller. Risk of loss to the Product shall pass to the Purchaser upon delivery of the Product into storage.</p>

Selling Policy

Customer's Own Material	<p>A Purchaser who requests a fabric or other surface material not standard to Seller's line of Products ("COM") must submit samples of the requested material to Seller prior to entry of a purchaser order. Seller shall determine if the material is suitable to its manufacturing processes and meets any requirements of Underwriters Laboratories. If the COM is acceptable, Seller will then establish a price for using the COM or the Product in question. For a description of the procedures for submitting samples and testing, contact customer resources or your sales representative. Seller shall have no responsibility for the appearance, condition, performance, durability, colorfastness or any other physical attribute of the COM. Purchaser shall indemnify and hold Seller harmless for any damages, injuries or losses arising out of or related to use of the COM on the Product.</p>
Warranty	<p>Seller warrants to the original Purchaser only that the Products Seller manufactures and sells to Purchaser are free of defects in workmanship and materials, during the applicable warranty period set forth below.</p> <p>Should any failure to conform with this limited warranty appear to a Product listed below during the applicable warranty period from the date of shipment, Seller shall, upon prompt written notice, repair or replace, at its option and costs, the affected part or parts.</p> <p><i>Product and Period of Warranty</i></p> <p><i>Lifetime: AutoStrada, Calibre, Crinion Open Table, Currents, Dividends, Equity, Morrison, Reff</i> laminate and other non-wood components (except cascade edge worksurfaces, operational parts, controls, electrical, special or custom products, see below)</p> <p><i>10 Years: AutoStrada, Crinion Open Table and Reff</i> wood components, wood casegoods, <i>Interaction</i> tables (except height adjustment mechanisms for <i>Counterforce</i>, crank-adjustable, and split-top tables and worksurfaces, see below), <i>Reuter</i> overheads, <i>Reuter</i> vertical storage, <i>Bulldog, Chadwick, Essentials Work Chairs, Life, RPM</i> and <i>Sapper</i> seating structural and operational parts, controls, casters, pneumatic cylinders (except seating upholstery, finishes and labor, see below)</p> <p><i>5 Years:</i> Operational parts, controls, electrical (except light ballasts and bulbs, see below), cascade edge worksurfaces, special or custom product, wood veneer products, <i>A3, Currents</i> handcrank, <i>Interaction Counterforce, Interaction</i> crank-adjustable, and split-top mechanisms, <i>KnollStudio, KnollExtra</i> adjustable keyboard supports, VDT carousel, monitor platform, equipment storage drawers and all universal storage drawers, <i>Open Up, Visor</i> and <i>SoHo</i> seating structural and operational parts, controls, pneumatic cylinders (except seating upholstery, finishes and labor, see below)</p> <p><i>3 Years:</i> Upholstery, finishes and labor to repair the following chairs: <i>Bulldog, Chadwick, Life, Open Up, Parachute, RPM, Sapper</i> and <i>SoHo</i>.</p> <p><i>2 Years:</i> All other <i>KnollExtra</i> product</p> <p><i>1 Year:</i> Light ballasts and bulbs and <i>Equity</i> fiberglass panels, seating upholstered armpads and soft armpads, <i>Visor</i> finishes and labor to repair.</p> <p>This warranty does not apply to:</p> <ul style="list-style-type: none">• Damage caused by a carrier other than the Seller.• Normal wear and tear or acts or omissions of parties other than Seller (including user modification).• COM or other third party materials applied to Products.• Products not installed by or under the auspices of a certified dealer of Seller.• Dramatic temperature variations or exposure to unusual conditions.• Except as specifically noted above, textiles and upholstery supplied by <i>KnollTextiles</i> (consult current <i>KnollTextiles</i> price list for applicable warranty).• Labor to repair or replace Essential Work Chairs affected part or parts, unless affected part or parts are returned to Seller with freight charges prepaid. <p>Natural variations occurring in wood, marble, and leather shall not be considered defects, and the Seller does not guarantee the colorfastness or matching of the colors, grains or textures, or surface hardness of such materials. The Seller also does not guarantee the colorfastness of fiberglass panel surfaces.</p> <p>THE EXPRESS WARRANTIES CONTAINED HEREIN ARE IN LIEU OF ALL OTHER WARRANTIES, EXPRESS OR IMPLIED, INCLUDING ANY WARRANTIES OF MERCHANTABILITY AND FITNESS FOR PARTICULAR PURPOSE AND ALL OTHER WARRANTIES ARISING FROM COURSE OF DEALING OR USAGE OF TRADE.</p> <p>The remedies provided above are the Purchaser's sole remedies for any failure of Seller to comply with its obligations regarding the workmanship of its Products. Correction of any nonconformity in the manner and for the period of time provided shall constitute complete fulfillment of all liabilities of Seller, with respect to or arising out of the Product furnished hereunder.</p>
Delay/Force Majeure	<p>Seller shall not be liable for failure to perform or for delay in performance due to fire, flood, strike or other labor difficulty, act of God, act of any governmental authority or of the Purchaser, riot, embargo, fuel or energy shortage, wrecks or delay in transportation, inability to obtain necessary labor, materials or manufacturing facilities from usual sources or failure of suppliers to meet their contractual obligations, or due to any cause beyond its reasonable control. If any such event occurs, Seller may extend delivery dates by a period of time necessary to overcome the effect of such delay, allocate available Product or cancel any purchase order.</p>
Compliance with Law	<p>PURCHASER IS SOLELY RESPONSIBLE FOR COMPLIANCE WITH ALL APPLICABLE FEDERAL, STATE AND LOCAL LAWS, ORDINANCES, REGULATIONS, RULES AND STANDARDS RELATING TO THE INSTALLATION, MAINTENANCE, USE AND OPERATION OF THE PRODUCTS.</p>
Patents	<p>Subject to the following provisions, Seller shall, at its own expense, defend or, at its option, settle any claim, suit or proceeding brought against the Purchaser, and/or its vendees, mediate and immediate, so far as based on an allegation that any Product or any part thereof furnished hereunder constitutes a direct or a contributory infringement of any claim of any patent of the United States or Canada. This obligation shall be effective only if Purchaser shall have made all payments then due hereunder and if Seller is notified promptly in writing and given authority, information and assistance for the defense of said claim, suit or proceeding. Seller shall pay all damages and costs awarded in such suit or proceedings so defended.</p> <p>The foregoing indemnity does not apply to the following:</p> <ul style="list-style-type: none">• Products supplied according to a design other than that of Seller, and which is required by the Purchaser.• Combination of the Product with another product not furnished hereunder unless Seller is a contributory infringer.• Any settlements of a suit or proceeding made without Seller's written consent.
Limitations of Liability	<p>SELLER, ITS CONTRACTORS, AUTHORIZED DEALERS AND SUBCONTRACTORS OR SUPPLIERS OF ANY TIER SHALL NOT BE LIABLE TO PURCHASER FOR ANY SPECIAL, INDIRECT, INCIDENTAL OR CONSEQUENTIAL DAMAGES ARISING FROM A BREACH OF THIS AGREEMENT.</p> <p>Purchaser's remedies set forth herein are exclusive and the liability of Seller with respect to the breach of this agreement or any contract entered into between the parties pursuant hereto shall not exceed the price of the Product or part on which such liability is based.</p>

KnollKey Lock Program

KnollKey Lock Program General Information

Following is the KnollKey lock policy, applicable to all products.

Key-alike

For the convenience of the user, furniture may be keyed alike at no charge. Write "Key-alike" in the description of your purchase order for any pedestal, overhead, file or other item you wish to have keyed alike.

Using the key-alike instructions, order cores and keys as line items on your purchase order. Do NOT submit a key-alike form. The Knoll East Greenville Lock Center will select key numbers from the standard range of K 001 - K 250. Key numbers will not be repeated unless over 250 sets are ordered. Lock cores keyed-alike will ship separately from the product, ready for field installation.

There is no charge for key-alike orders if placed with the furniture order.

IF THE KEY-ALIKE ORDER IS NOT PLACED AT LEAST TWO WEEKS PRIOR TO THE FURNITURE SHIP DATE, A \$50 HANDLING CHARGE AND AIR FREIGHT CHARGES WILL APPLY.

If product is ordered and shipped random-keyed, additional lock cores for key-alike are billable.

Random-Keying

To specify product keyed-random, write "key-random" in the product description. Random-keyed product is shipped with the lock core factory installed. A shrouded key is included. Random means no effort has been made to match key numbers, or to make them different.

Keys

A Knoll shrouded key is shipped with every lock core. 250 Key numbers are available. For numbers above 250, contact Custom Product Development. Additional keys and key blanks are available. See service parts for more information.

Master Keying

Knoll locks can be controlled by means of a master key. There is no additional per-lock charge for master keying. A letter of approval from the client must accompany orders for master keys.

Installing Lock Cores

Lock cores can be installed or removed in the field by using a change key. Cores must be in the unlocked position to be removed. See service parts for change key pattern number and pricing.

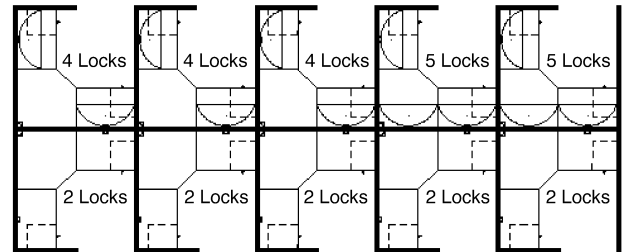
Lock Distribution

All orders for key-alike lock cores/keys are packaged and shipped from the East Greenville Lock Center, regardless of where the pedestals, overhead, or other units are produced. KnollNow and random keyed product will have cores factory-installed.

How to Specify Key-Alike

Following is an example of how to specify key-alike for a cluster of 10 workstations.

Step 1 - Using the project floorplan, count the number of locks in each workstation.



Step 2 - Count the number of workstations with the same quantity of locks. Group together the workstations with a like number of locks.

5 workstations with 2 locks per station
3 workstations with 4 locks per station
2 workstations with 5 locks per station

Step 3 - For the first group (5 sets of 2 locks), enter the number of workstations in the quantity column.

Qty	Pattern #	Description	Unit List	Ext. List
5				

Step 4 - Then enter the pattern number "KSPEC_ _" and add a suffix for the number of locks for that group (i.e., for 2 locks per station, add the suffix "2"). Up to 30 lock cores are available in a set (i.e., KSPEC 30).

Qty	Pattern #	Description	Unit List	Ext. List
5	KSPEC 2	Set of 2 cores/keys	N / C	N / C

Step 5 - Repeat for other groups.

Qty	Pattern #	Description	Unit List	Ext. List
5	KSPEC 2	Set of 2 cores/keys	N / C	N / C
3	KSPEC 4	Set of 4 cores/keys	N / C	N / C
2	KSPEC 5	Set of 5 cores/keys	N / C	N / C

Your Key instructions are complete.

Knoll will select key numbers for each set from 250 available numbers. Additional key numbers are available through Custom Product Development. **For additions to existing installations, specify desired key numbers in the description.**

Service Parts

Pattern #	Description	List Price
KKEY_ _ _	Shrouded Key Specify key number desired	\$5
KBLANK	Shrouded Key Blank	\$5
KSPECB_ _ _	Retrofit Universal Core/Key Specify key number desired	\$18
KCHANGE	Change Key	\$5
KMASTER*	Master Key	\$5

*Note: A letter of approval on company letterhead from the client must accompany all orders for master keys.

General Ordering Information

The Products

This guide encompasses all standard products for this product group.

Sizes

Dimensions listed in this guide are indicated as:

H = height

W = width

D = depth

Dia. = diameter

Rad. = radius

Pricing

All prices shown are list.

How to Order

Select pattern numbers and quantities required for your complete installation. Product questions can be addressed in the specific sections of this guide or by contacting your sales representative or customer resource representative at 1-800-343-5665.

Next, select options (if required), along with colors and finishes appropriate to each product. Reference the Finishes and Fabrics pages for color designations.

On large installations, an item's "designated area" can be specified to assist in product organization and handling.

To expedite complete / correct entry of your order, be certain all pattern numbers, quantities, colors and area identifications are completely specified. Also, include complete purchase order numbers, bill-to and ship-to addresses, a contact name and specific factory shipping dates required.

Mail all orders to:

Knoll, Inc.

1235 Water Street

East Greenville, PA 18041

Attention: Order Entry

Once your order is entered at Knoll, an acknowledgment will be mailed to you. You will be advised of your scheduled shipping date within five days of the original acknowledgment. If it is necessary to revise your order, please contact your customer resource representative.

Sustainability Statement

Sustainable design is a key component of Knoll's environmental focus. Our commitment to social responsibility and a healthy environment has prompted us to further articulate our longstanding environmental programs and, with encouragement and support from our colleagues in the industry, we have re-energized our focus on such "green" initiatives as life cycle analysis and LEED™ certification. Knoll is proud to have contributed to projects that have received LEED certification from the U.S. Green Building Council.

For the latest information on Knoll products that help our customers achieve LEED certification, log on to knoll.com, click on "About Knoll" and then "Environmental Focus."