

**chadwick** | **Knoll**



## light work

### From individual to more collaborative work settings

Chadwick is a hybrid class of seating that accommodates the diverse needs of the office. Research shows that seating requirements are changing.

A chair may have many applications, ranging from individual work, to shared work, to training. As a work chair Chadwick, is ready to perform with ergonomic comfort and generous interior dimensions.

As a conference or training chair, Chadwick benefits from compact external dimensions and simple adjustment controls.

## light touch

### Anticipating and responding to your body's movement

Active suspension™ couples a unique synchronised back and seat tilt with an elastomeric suspension fabric. The tilt recline opens with the natural movement of the user whilst maintaining continuous lumbar support.

The soft aerated suspension fabric conforms to the shape of the user and minimises pressure points. Chadwick also features a 3 degree forward tilt.

## light tech

### Simple to use functionality

There are two, straightforward adjustment controls; seat height and tilt tension, both within easy reach, allowing you to customise your chair perfectly.

A tilt stop gives the option to lock the back in an upright position.

Arms may be fixed or height adjustable. A separate adjustable lumbar is available for individuals who require additional lumbar support.

### Light, robust structure

The Chadwick frame is formed with a minimal number of light injection moulded components. Strength is optimised with hollow air shafts using 'gas assist' technology. The principal components are linked in just 6 points.

This engineering foresight gives tremendous efficiency of labour, further contributing to the cost competitiveness of the chair.

## green light

### High recycled content

Chadwick was designed to the Knoll product Environmental Design Guideline. This sets out to minimise environmental impacts across the entire product lifecycle and carefully analyses the inter-relationship of the various environmental decisions. As a result Chadwick benefits from:

Raw materials with high recycled content.

Clean manufacturing technologies.

A minimum number of components.

Component parts that are easy to assemble and disassemble.

Structure and materials that are robust and durable.

elegant simple sophisticated advanced





generous interior

compact external dimensions



light work

individual and collaborative



light touch



soft aerated suspension fabric with ample lumbar support



synchronised back and seat recline

3°  
forward tilt



arms adjustable in height and width



height

tension control

tilt stop

straightforward adjustment controls

light tech

# green light

high recycled content



optional adjustable lumbar support



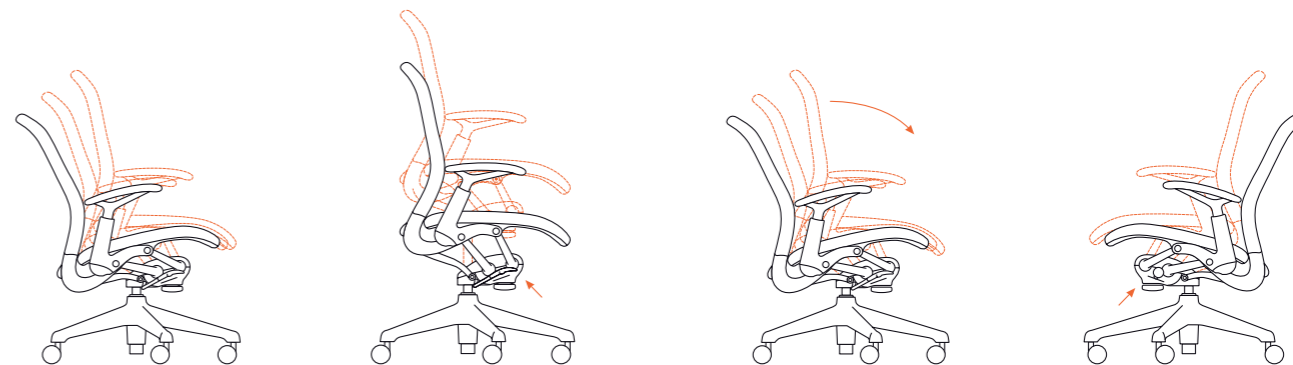


### suspension fabrics



beige brown silver green black red blue

### features

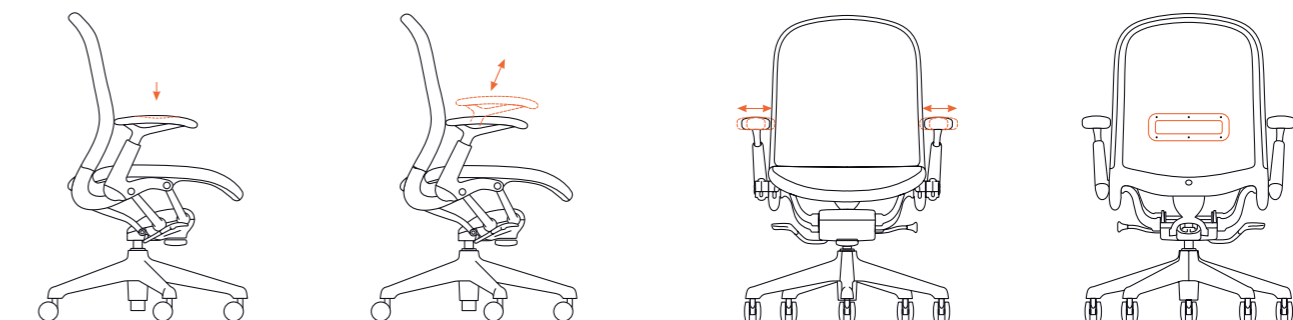


**active suspension**  
synchronised back and seat recline is coupled with an elastomeric suspension fabric. recline tension can be adjusted with the tension control knob.

**seat height adjustment**  
the height adjustment lever is located on the right hand side of the chair.

**forward tilt**  
Chadwick has a built-in 3 degree forward tilt that supports the user in forward typing postures.

**tilt stop**  
the tilt stop lever is located on the left hand side of the chair.



**spring loaded arms**  
armpads have spring suspension, providing softness and flexibility.

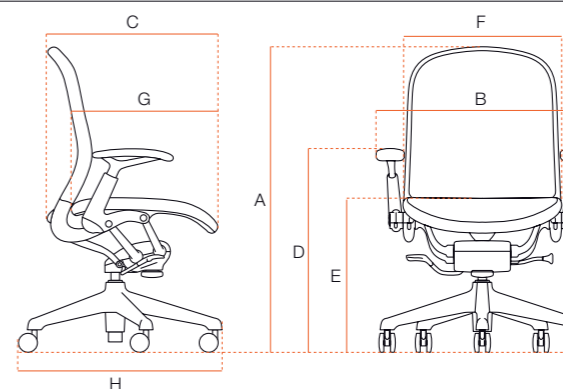
**adjustable arm height**  
the arm height is adjusted by lifting the armpads through five increments. a total range of 63.5 mm.

**adjustable arm width**  
each armpad has a width adjustment of 12.7 mm inward and outward, for of a total adjustment range of 25.4 mm. an allen wrench is required to adjust the armpad width.

**adjustable lumbar support**  
Chadwick has an adjustable lumbar support, if required. (optional)

### dimensions

- A overall height 95.3 - 106.7 cm
- B overall width 67.3 cm
- C overall depth 64.8 cm
- D arm height from floor 58.4 - 76.2 cm
- E seat height 41 - 53 cm
- F seat width 49.8 cm
- G seat depth 42.9 - 49.3 cm
- H base diameter 69.3 cm
- weight of a Chadwick chair with h/a arms, no lumbar, is 16.8 kg
- the knoll Chadwick chair line has been tested and is approved for use by individuals weighing up to 136 kg



### certification

- EN 1335:2000, part 1
- EN 1335:2008, parts 2 & 3 - GS
- DIN EN 1335:2002, parts 1, 2 & 3
- BS 5459:2000, part 2
- Decreto Legislativo N.81/2008
- AS/NZS 4438 level 6
- ANSI/BIFMA X 5.1:2002
- BIFMA Gl:2002
- California T. B. 117
- and California T. B. 133
- Greenguard™ compliant



## locations

Knoll Benelux  
Knoll International SA  
Tour & Taxis  
Av. du Port 86 Havenlaan – C.215  
B-1000 Brussels, Belgium  
tel. +32 (0)2 715 1300  
fax +32 (0) 715 1319  
benelux@knolleurope.com

Knoll France  
Knoll International SA  
268 Boulevard Saint-Germain  
75007 Paris, France  
tel. +33 (0)1 44 18 19 99  
fax +33 (0)1 45 50 20 62  
france@knolleurope.com

Knoll Germany  
91 Goswell Road  
Clerkenwell  
London  
EC1V 7EX  
United Kingdom  
tel. +44 (0)20 7236 6655  
fax +44 (0)20 7248 1744  
germany@knolleurope.com

Knoll Italy  
Knoll International spa  
piazza Bertarelli, 2  
20122 Milano, Italy  
tel. +39 (0)2 7222291  
fax +39 (0)2 72222930  
italy@knolleurope.com

Knoll UK  
Knoll International Ltd  
91 Goswell Road  
Clerkenwell  
London  
EC1V 7EX  
United Kingdom  
tel. +44 (0)20 7236 6655  
fax +44 (0)20 7248 1744  
uk@knolleurope.com

Knoll International  
EMEA and APLA  
91 Goswell Road  
Clerkenwell  
London  
EC1V 7EX  
United Kingdom  
tel +44 (0)20 7236 6655  
fax +44 (0)20 7489 8059  
emea@knolleurope.com

[www.knolleurope.com](http://www.knolleurope.com)

## credits

product design  
Chadwick chair  
designed by  
Don Chadwick

graphic design concept  
Ginette Caron  
graphic layout  
Masami Moriyama

photography  
pages 2 and 14  
Mario Carrieri

printing  
Nava Press, Milan

printed in Italy  
October 2010