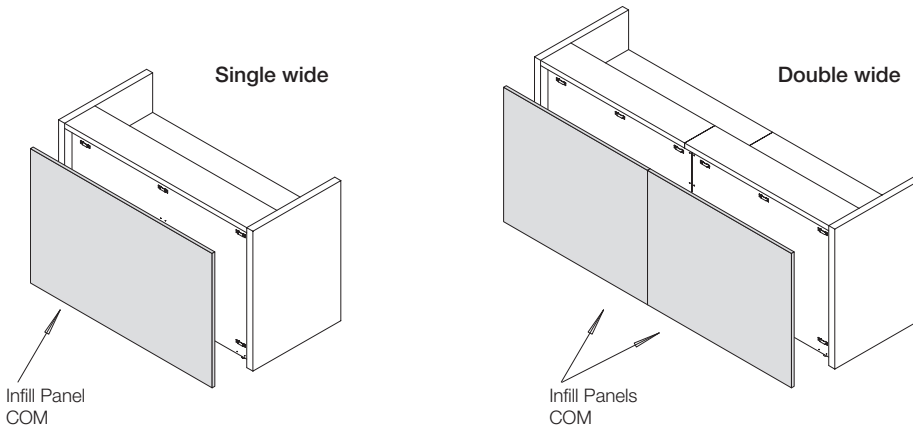


Customer Own Material Glass Infill Panels For Single/Double Wide Desks

Reference Number: 6TP00442

Pattern Numbers: RAIPKGSxx, RAIPKGDxx



Tools Needed

- Drill gun
- Phillips driver bit

Before you begin

The table and illustration below details the glass sizes required to fit the "RAIPKG" frame kits supplied by Knoll the glass is attached to the frame using a structural grade double-sided tape supplied with the frames by Knoll.

It is recommended that any glass used be tempered (for safety) and back painted to hide the double-sided tape. Also, make sure that before adhering the glass that it is free of any dust or debris that could effect the quality of the bond.

PRODUCT CODE	DESCRIPTION	FRAME		GLASS	
		HEIGHT	WIDTH	HEIGHT	WIDTH
RAIPKGS66	INFILL_ADMIN\REC\GLS\KIT\1-PC,66	39.375	61.750	39.188	61.563
RAIPKGS72	INFILL_ADMIN\REC\GLS\KIT\1-PC,72	39.375	67.750	39.188	67.563
RAIPKGS78	INFILL_ADMIN\REC\GLS\KIT\1-PC,78	39.375	73.750	39.188	73.563
RAIPKGS84	INFILL_ADMIN\REC\GLS\KIT\1-PC,84	39.375	79.750	39.188	79.563
RAIPKGS90	INFILL_ADMIN\REC\GLS\KIT\1-PC,90	39.375	85.750	39.188	85.563
RAIPKGS96	INFILL_ADMIN\REC\GLS\KIT\1-PC,96	39.375	91.750	39.188	91.563
RAIPKGD51	INFILL_ADMIN\REC\GLS\KIT\2-PC,51	39.375	48.844	39.188	48.657
RAIPKGD54	INFILL_ADMIN\REC\GLS\KIT\2-PC,54	39.375	51.844	39.188	51.657
RAIPKGD57	INFILL_ADMIN\REC\GLS\KIT\2-PC,57	39.375	54.844	39.188	54.657
RAIPKGD60	INFILL_ADMIN\REC\GLS\KIT\2-PC,60	39.375	57.844	39.188	57.657
RAIPKGD63	INFILL_ADMIN\REC\GLS\KIT\2-PC,63	39.375	60.844	39.188	60.657
RAIPKGD66	INFILL_ADMIN\REC\GLS\KIT\2-PC,66	39.375	63.844	39.188	63.657
RAIPKGD69	INFILL_ADMIN\REC\GLS\KIT\2-PC,69	39.375	66.844	39.188	66.657
RAIPKGD72	INFILL_ADMIN\REC\GLS\KIT\2-PC,72	39.375	69.844	39.188	69.657
RAIPKGD75	INFILL_ADMIN\REC\GLS\KIT\2-PC,75	39.375	72.844	39.188	72.657
RAIPKGD78	INFILL_ADMIN\REC\GLS\KIT\2-PC,78	39.375	75.844	39.188	75.657
RAIPKGD81	INFILL_ADMIN\REC\GLS\KIT\2-PC,81	39.375	78.844	39.188	78.657
RAIPKGD84	INFILL_ADMIN\REC\GLS\KIT\2-PC,84	39.375	81.844	39.188	81.657
RAIPKGD87	INFILL_ADMIN\REC\GLS\KIT\2-PC,87	39.375	84.844	39.188	84.657
RAIPKGD90	INFILL_ADMIN\REC\GLS\KIT\2-PC,90	39.375	87.844	39.188	87.657
RAIPKGD93	INFILL_ADMIN\REC\GLS\KIT\2-PC,93	39.375	90.844	39.188	90.657
RAIPKGD96	INFILL_ADMIN\REC\GLS\KIT\2-PC,96	39.375	93.844	39.188	93.657

NOTES: 1. GLASS VALUES ARE CALCULATED BY SUBTRACTING 3/16" FROM THE FRAME VALUES.
 2. TOLERANCES FOR ALL VALUES ARE 1/32".
 3. DIAGONAL DIMENSIONS MUST NOT DIFFER BY MORE THAN 1/16".
 4. RECOMMENDED GLASS THICKNESS IS 5MM TO 7MM.

