

# Customer Own Material Accent Tops

**Notes:**

- 1 Diagonal dimensions must not differ by more than 1/16".
- 2\* Recommended minimum values, may vary based upon the material of choice and customer preferences.

- 3 If possible, it is recommended to polished and chamfer all edges.

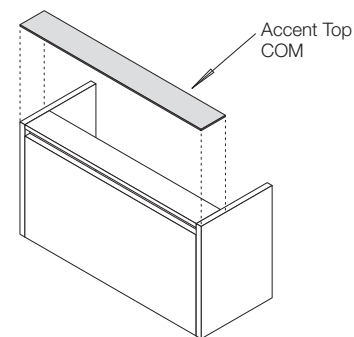
**Tools Needed**

- Measuring Tape
- Phillips Square Driver

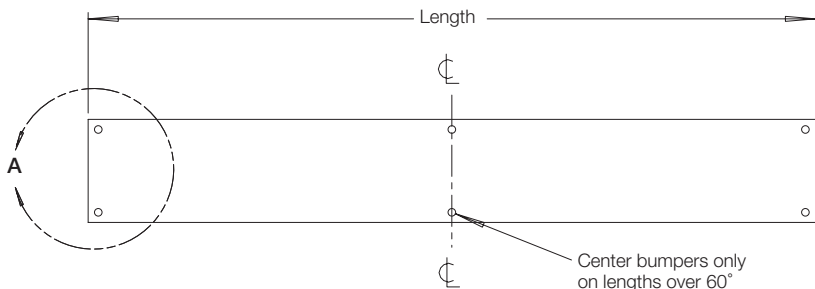
ACCENT TOPS FOR ...			
WHERE USED BY PRODUCT CODE	PRODUCT CODE OF HARDWARE KIT	NOMINAL LENGTH	ACTUAL LENGTH
<b>SINGLE-WIDE DESKS</b>			
RASW6630	RACDAT2	66"	65-15/16"
RASW7230		72"	71-15/16"
RASW7830		78"	77-15/16"
RASW8430		84"	83-15/16"
RASW9030		90"	89-15/16"
RASW9630		96"	95-15/16"
<b>LH\RH SECTIONS OF DOUBLE-WIDE DESKS</b>			
RADW(L\R)5130	RACDAT1	51"	50-15/16"
RADW(L\R)5430		54"	53-15/16"
RADW(L\R)5730		57"	56-15/16"
RADW(L\R)6030	RACDAT2	60"	59-15/16"
RADW(L\R)6330		63"	62-15/16"
RADW(L\R)6630		66"	65-15/16"
RADW(L\R)6930		69"	68-15/16"
RADW(L\R)7230		72"	71-15/16"
RADW(L\R)7530		75"	74-15/16"
RADW(L\R)7830		78"	77-15/16"
RADW(L\R)8130		81"	80-15/16"
RADW(L\R)8430		84"	83-15/16"
RADW(L\R)8730		87"	86-15/16"
RADW(L\R)9030		90"	89-15/16"
RADW(L\R)9330		93"	92-15/16"
RADW(L\R)9630	96"	95-15/16"	
<b>LH\RH FULL RETURNS</b>			
RAFR(L\R)5420	RACDAT1	54"	43-11/16"
RAFR(L\R)6020		60"	49-11/16"
RAFR(L\R)6620		66"	55-11/16"
RAFR(L\R)7220	RACDAT2	72"	61-11/16"
RAFR(L\R)7820		78"	67-11/16"
RAFR(L\R)8420		84"	73-11/16"
RAFR(L\R)9020		90"	79-11/16"
RAFR(L\R)9620		96"	85-11/16"
<b>LH\RH BRIDGE RETURNS</b>			
RABR(L\R)7220	RACDAT1	78"	50-1/16"
RABR(L\R)7820		84"	56-1/16"
RABR(L\R)8420		90"	62-1/16"
RABR(L\R)9020	RACDAT2	96"	68-1/16"
RABR(L\R)9620			
<b>HARDWARE KITS CONTAIN: SELF-ADHERED, CLEAR RUBBER BUMPERS</b>			

HARDWARE KIT: RACDAT1		
PART NUMBER	QTY	DESCRIPTION
2TP40119	4	BUMPER, GLASS, 1/4x3/4DIA

HARDWARE KIT: RACDAT2		
PART NUMBER	QTY	DESCRIPTION
2TP40119	6	BUMPER, GLASS, 1/4x3/4DIA



Unless otherwise specified, all dimensions are 1/32".



**Detail A**

