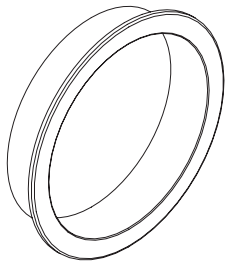


Bookcase Grommet

Reference Number: 6TP00389



RBGR
Bookcase grommet sleeve (black)

Tools Needed

- Drill gun
- 3 1/2" Diameter hole saw
- Tape measure

Assembly Instructions

1. Using hole saw, drill $\text{\O} 3\text{-}1/2$ hole through back panel. (Fig.1)
2. Insert grommet sleeve "RBGR". (Fig.2)

Fig. 1
Front view

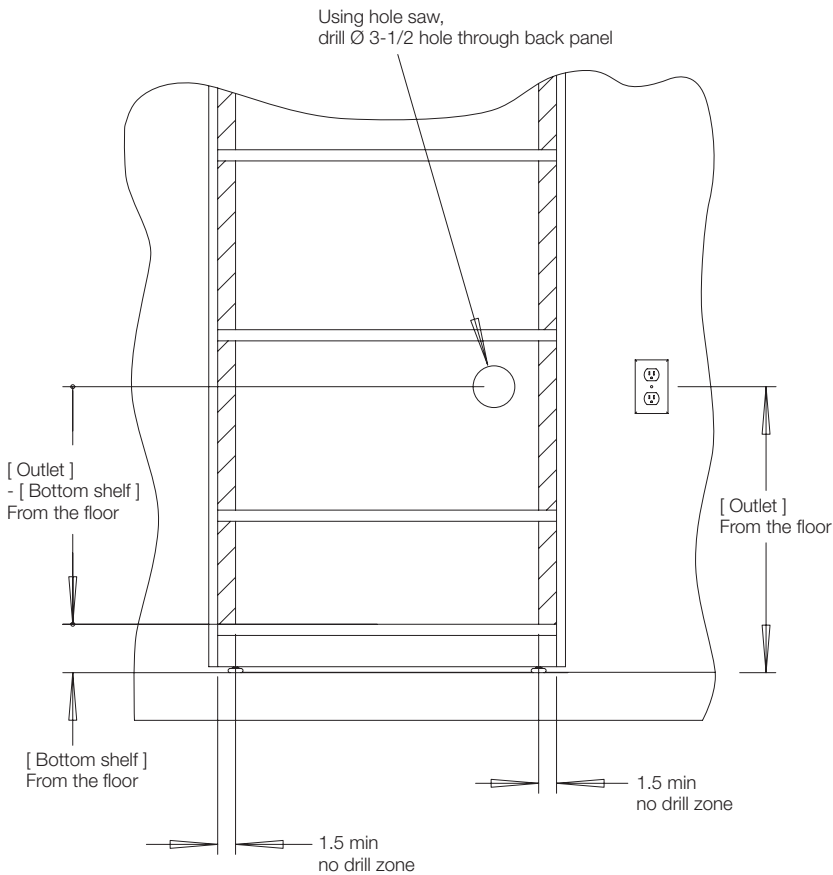


Fig. 2
Angled front view

