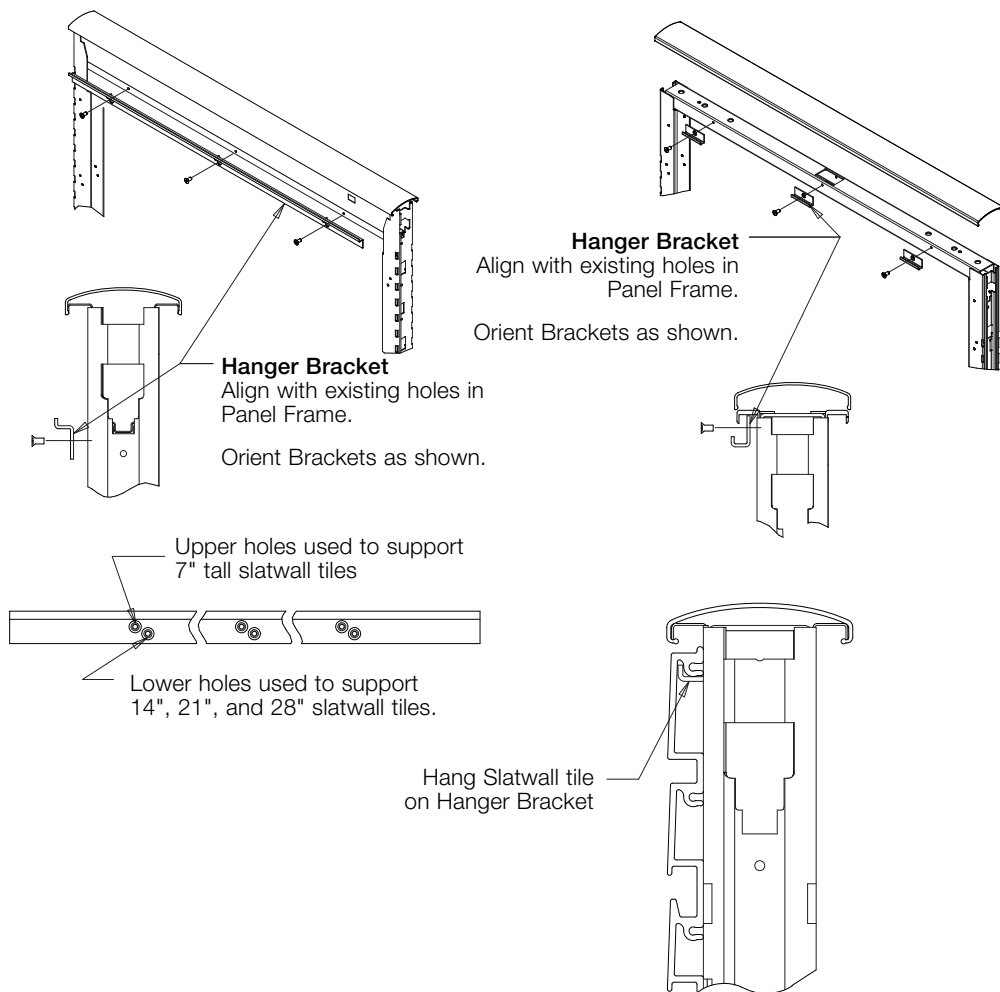


# Dividends Horizon® Slat Wall

## Top Position Installation

1. *For full view frames:* Install top Hanger Brackets with #10 x 3/8 Flat Head Screws provided. Use (2) Hanger Brackets for 24" and 30". Use (3) Hanger Brackets for 36", 42", and 48" wide Slat Wall Panels.
2. *For trough frames:* Install single long top Hanger Bracket with #10 x 3/8" Flat Head Screws provided
3. Center Slat Wall onto Frame
4. Hang Slat Wall on to Hanger Brackets. Secure Slat Wall at lower corners with (2) #10 x 3/8" Flat Head Screws provided.

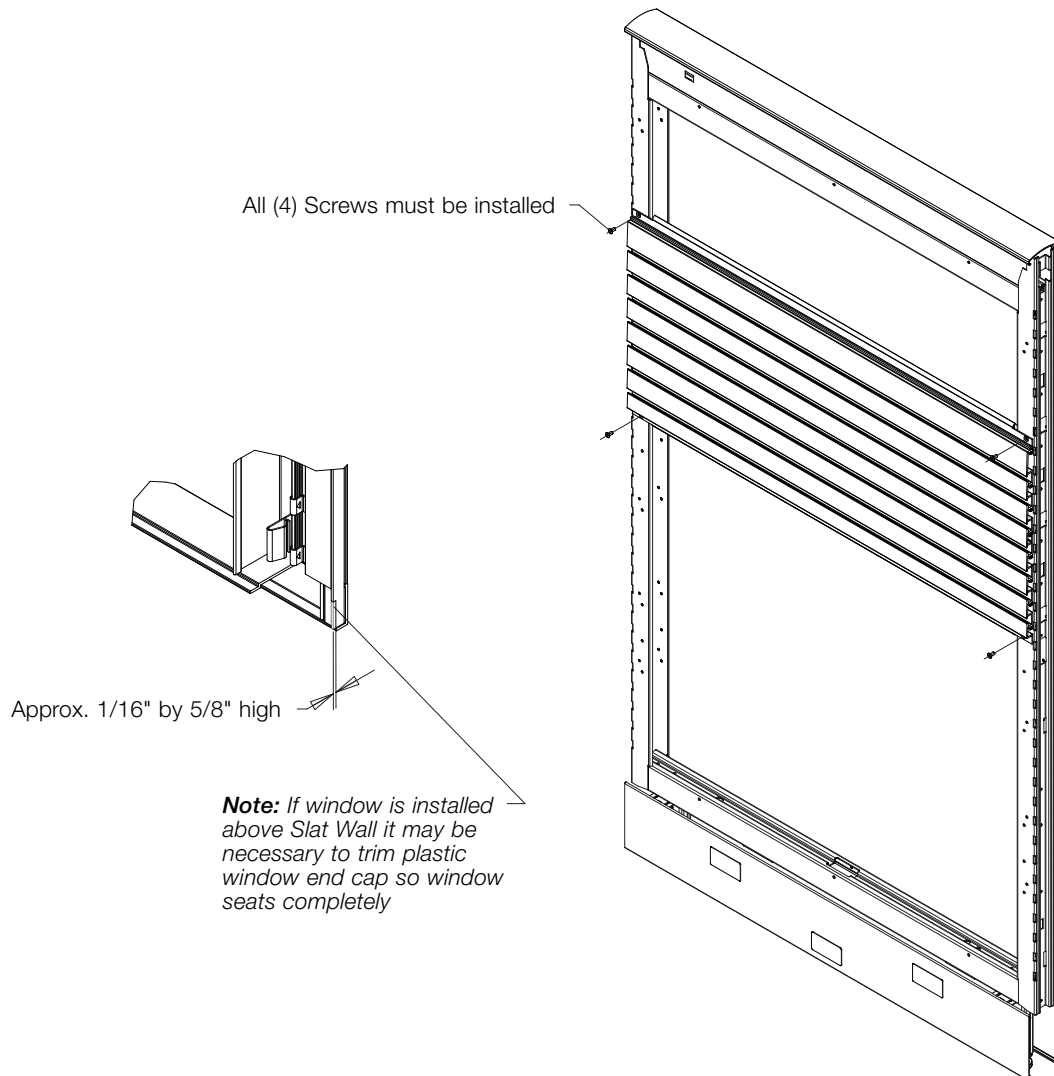
continued...



## Dividends Horizon Slat Wall, continued

### Middle Position Installation

1. Align Slat Wall with hole in panel vertical stile at desired height.
2. Secure Slat Wall at all four corners with (4) #10 x 3/8" Flat Head Screws provided.



### DISASSEMBLY FOR RECYCLING

#### Materials Identification and Segregation:

Where possible plastic components are marked with ASTM recycling codes. Use these codes to identify material type for recycling. Non-marked components should

be treated as mixed plastic. Ferrous metals can be identified using a small magnet for recycling. Non-ferrous metals should be separated and recycled separately.

**To disassemble product,** reverse the above installation steps.