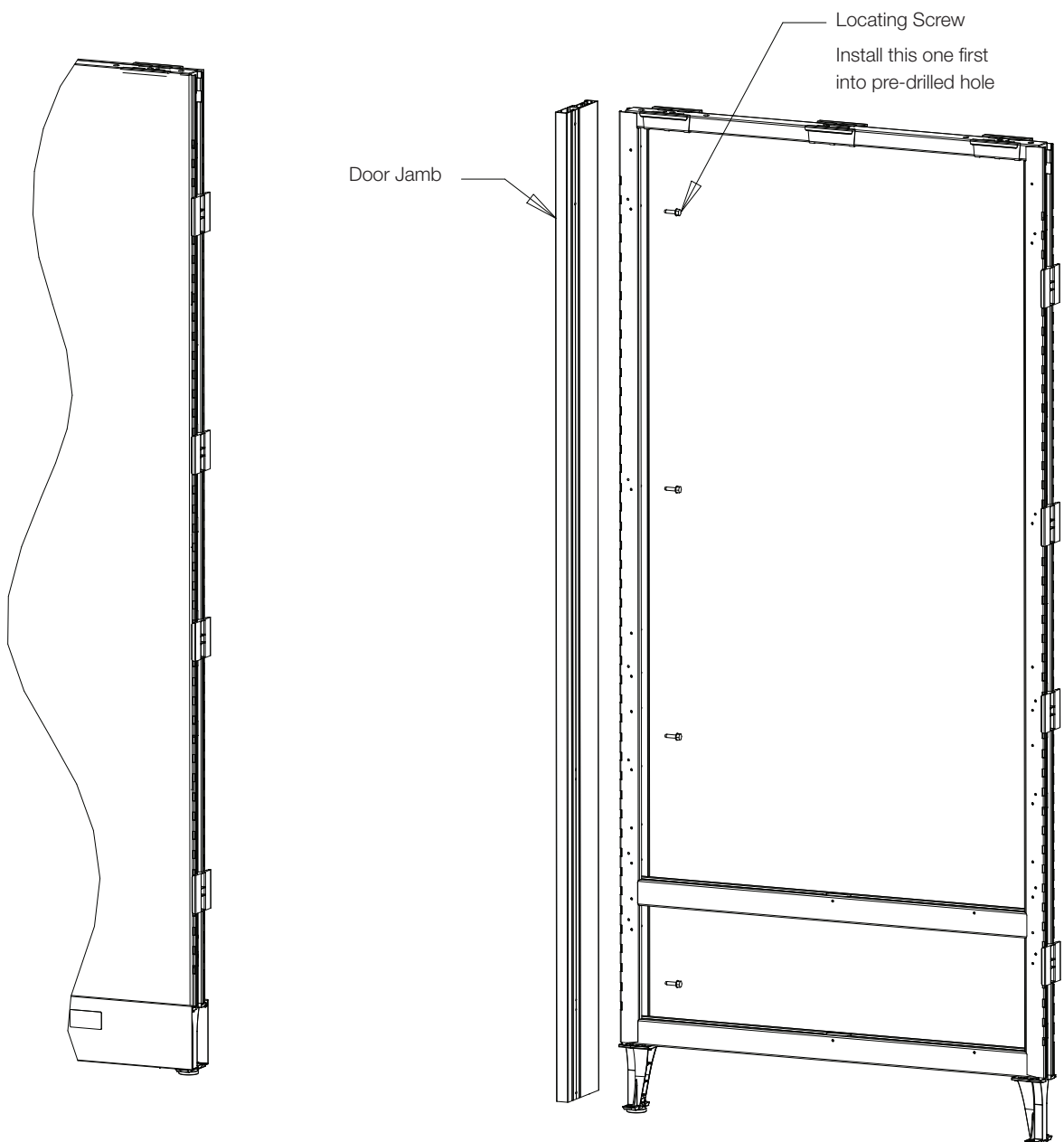


Dividends Horizon® Rolling Door

1. Remove rolling door and included kits from packaging as needed and recycle packaging.
2. Before beginning door installation, make sure that the panels are level and properly aligned with each other with the correct width opening for the door being installed.
3. Install the door jamb kit by aligning the pre-drilled screw hole with the appropriate hole in the frame (**Fig. 1**). The bottom of the jamb should align with the bottom of the raceway cover. Attach the jamb to the frame with 4 self-drilling hex head screws included in the kit. If the door includes a header, do not install the jamb top cap until after the header is installed. If there is no header, install the jamb top cap with a soft-faced hammer.

continued...

Fig. 1



Dividends Horizon® Rolling Door, continued

4. If a header is not included with the door, skip to Step 7. To install the header, first attach the header bracket to the frame to which the door will be attached with two self-drilling screws (Fig. 2).
5. Thread two hex-head self-drilling screws into the end of the header extrusion opposite from the two pre-drilled holes, leaving enough gap to slip them into the slots in the jamb (Fig. 3).
6. Lift the header up to the bracket and install two 3/8" long screws into the pre-drilled holes (Fig. 4). Using an open-ended 7/8" wrench, tighten the hex bolts from the top of the jamb and install the jamb top cap with a soft-faced hammer.

continued...

Fig. 2

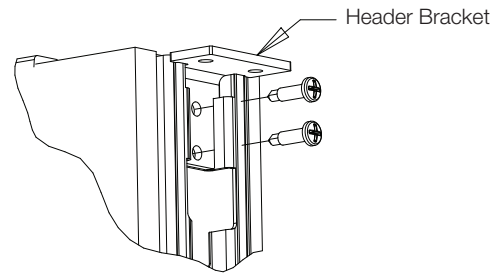


Fig. 3

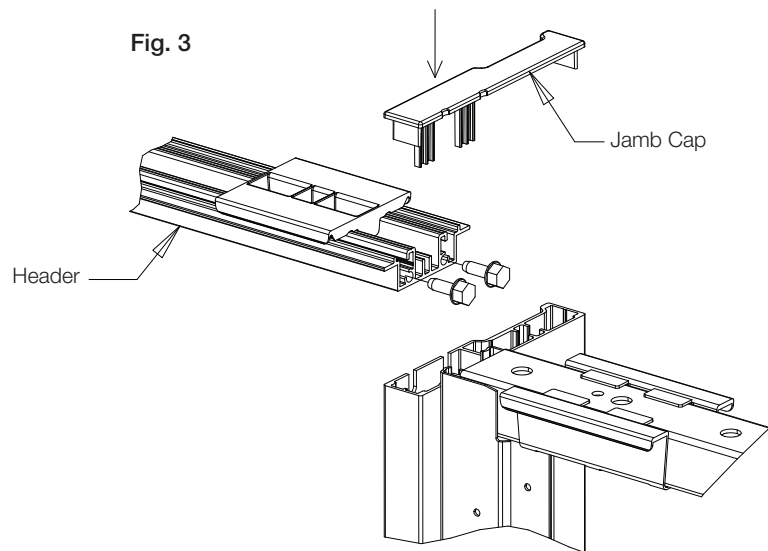
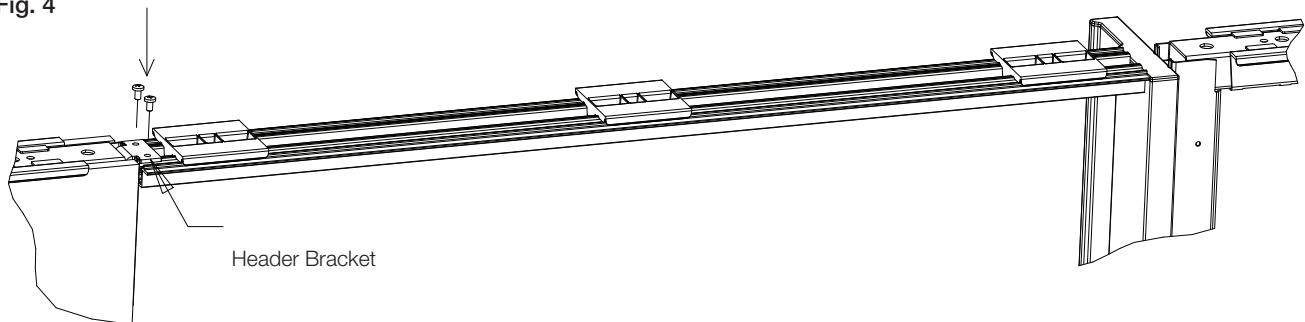


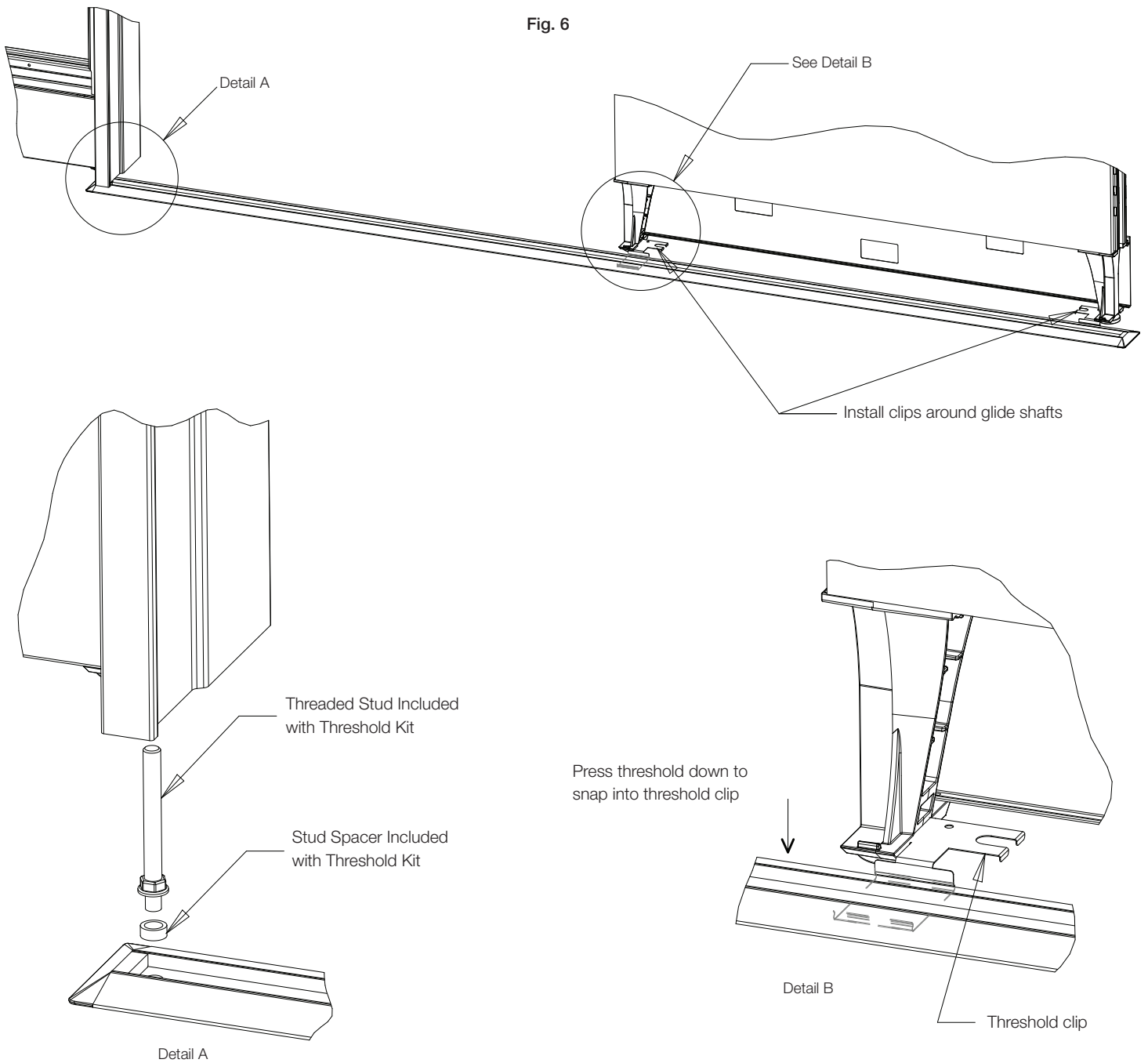
Fig. 4



Dividends Horizon® Rolling Door, continued

7. Install the threshold kit by aligning the large hole in the end of the threshold with the threaded stud protruding from the bottom of the jamb. With the stud spacer in place over the end of the stud, thread the stud down toward the floor until it holds the threshold snugly on the floor. Install the threshold clips around the glide shafts and clip them on to the bottom of the threshold extrusion (**Fig. 6**).

continued...

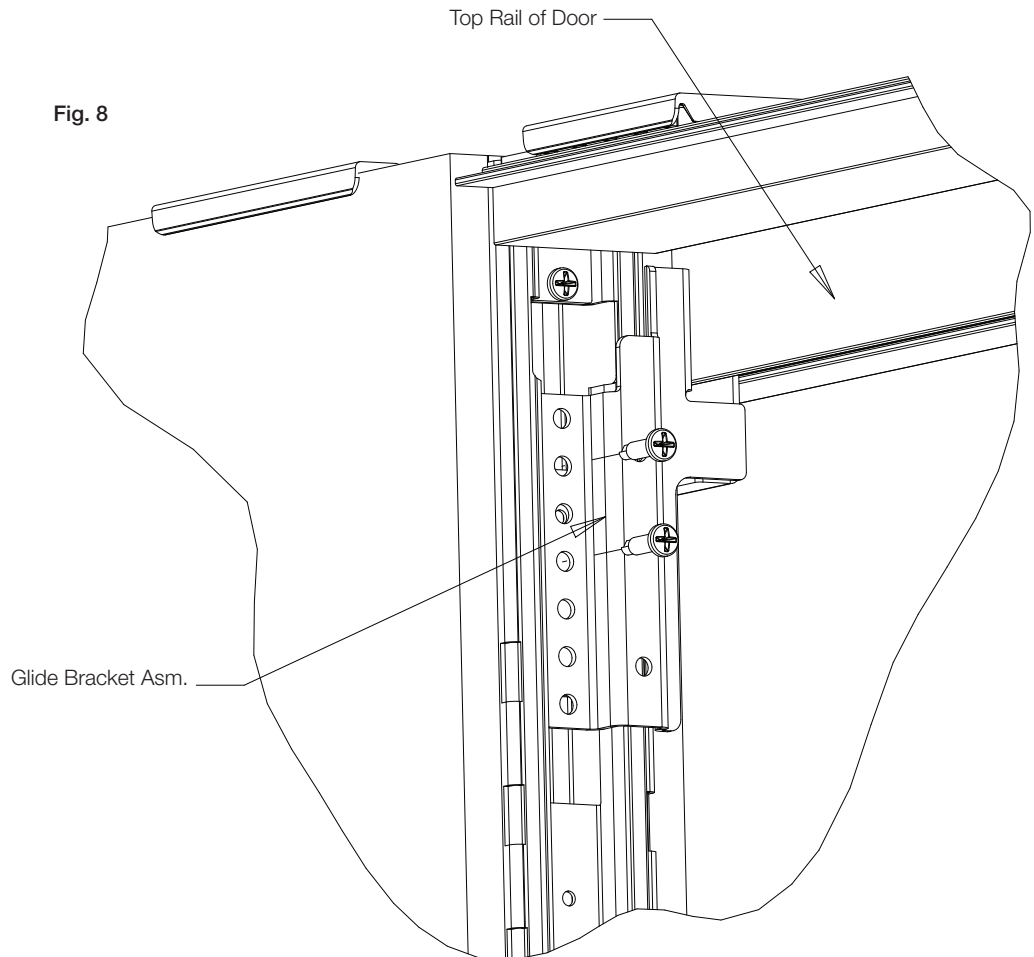
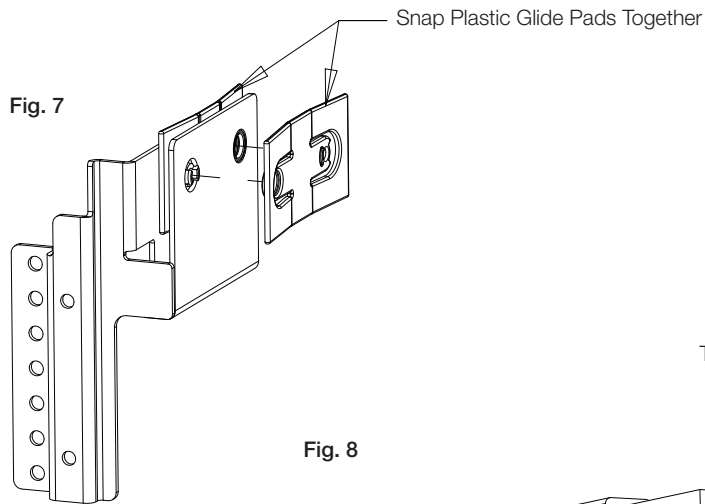


Dividends Horizon® Rolling Door, continued

8. Roll the door onto the threshold and hold it up to the panel in the open position. With the plastic glide pads clipped onto top the glide bracket, hold the bracket up to the frame and determine the correct vertical location for it to engage with the channel in the door. Be sure to leave some room for the door to move up and down, allowing for variations in the floor. Fasten the bracket to the frame with two self-drilling screws as shown (Fig. 7 & 8).

9. Locate and fasten the bottom bracket to the frame in similar fashion and slide the door back and forth to test for any resistance or scraping. The position of the threshold may need adjustment in or out relative to the panel to ensure smooth operation.

continued...

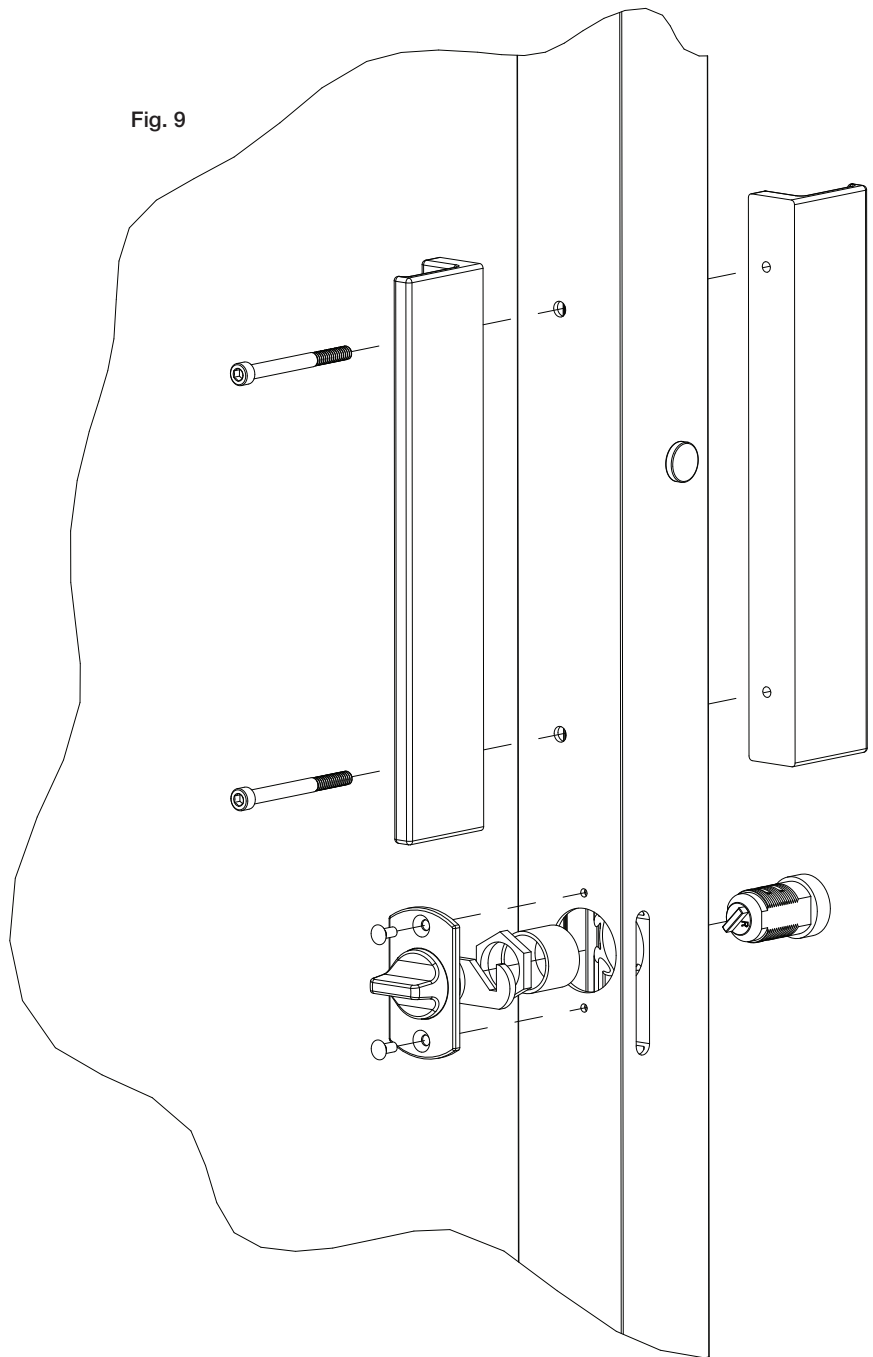


Dividends Horizon® Rolling Door, continued

10. Now install the lock assembly and handle onto the door as shown (Fig. 9)

continued...

Fig. 9



Dividends Horizon® Rolling Door, continued

11. If the door is equipped with a header, install the notched end trim kit and top caps. On a header application, the top cap should span continuously across the panel with the door attached to it, across the header, and to the jamb (Fig. 10).

12. If the door has no header, install the jamb side top cap with endplug over the jamb. The end of the plug should be flush with side of the door jamb as shown (Fig 11).

Fig. 10

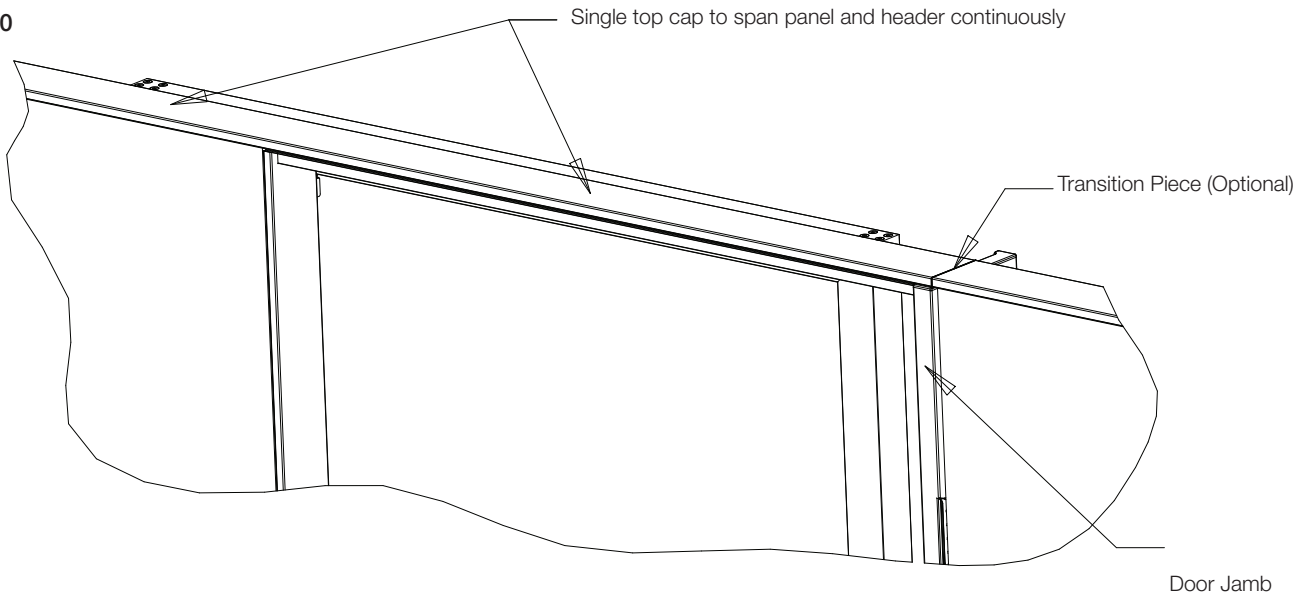
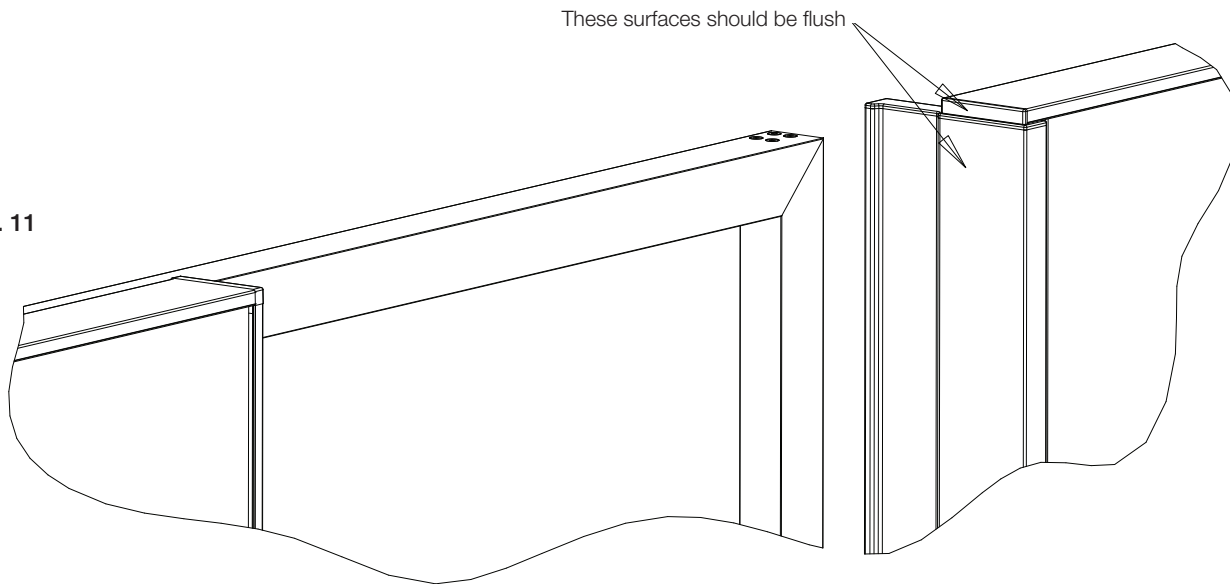


Fig. 11



DISASSEMBLY FOR RECYCLING

Materials Identification and Segregation:

Where possible plastic components are marked with ASTM recycling codes. Use these codes to identify material type for recycling. Non-marked components should be treated as mixed plastic. Ferrous metals can be identified using a small

magnet for recycling. Non-ferrous metals should be separated and recycled separately.

To disassemble product, reverse the above installation steps.