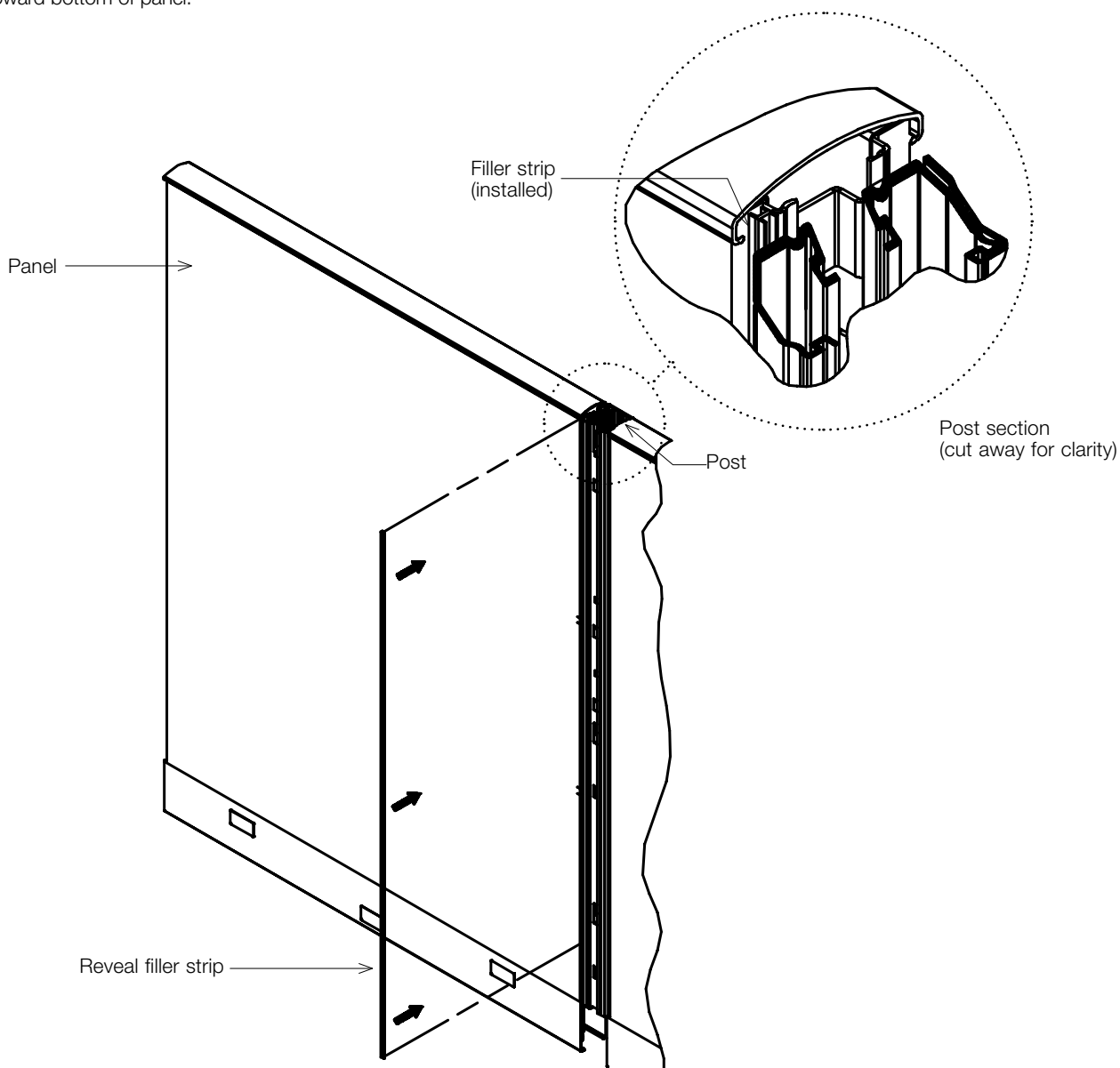


Dividends Horizon® Dividends Panel to Post Reveal Filler

1. Reveal Fillers are sized to fit 78" panels without hang-on components or shorter panes with hang on components
2. Start installation by pushing plastic extrusion into the top of the panel to Panel Reveal. Continue installation by working down toward bottom of panel.



DISASSEMBLY FOR RECYCLING

Materials Identification and Segregation:

Where possible plastic components are marked with ASTM recycling codes. Use these codes to identify material type for recycling. Non-marked components should be treated as mixed plastic. Ferrous metals

can be identified using a small magnet for recycling. Non-ferrous metals should be separated and recycled separately.

To disassemble product, reverse the above installation steps.