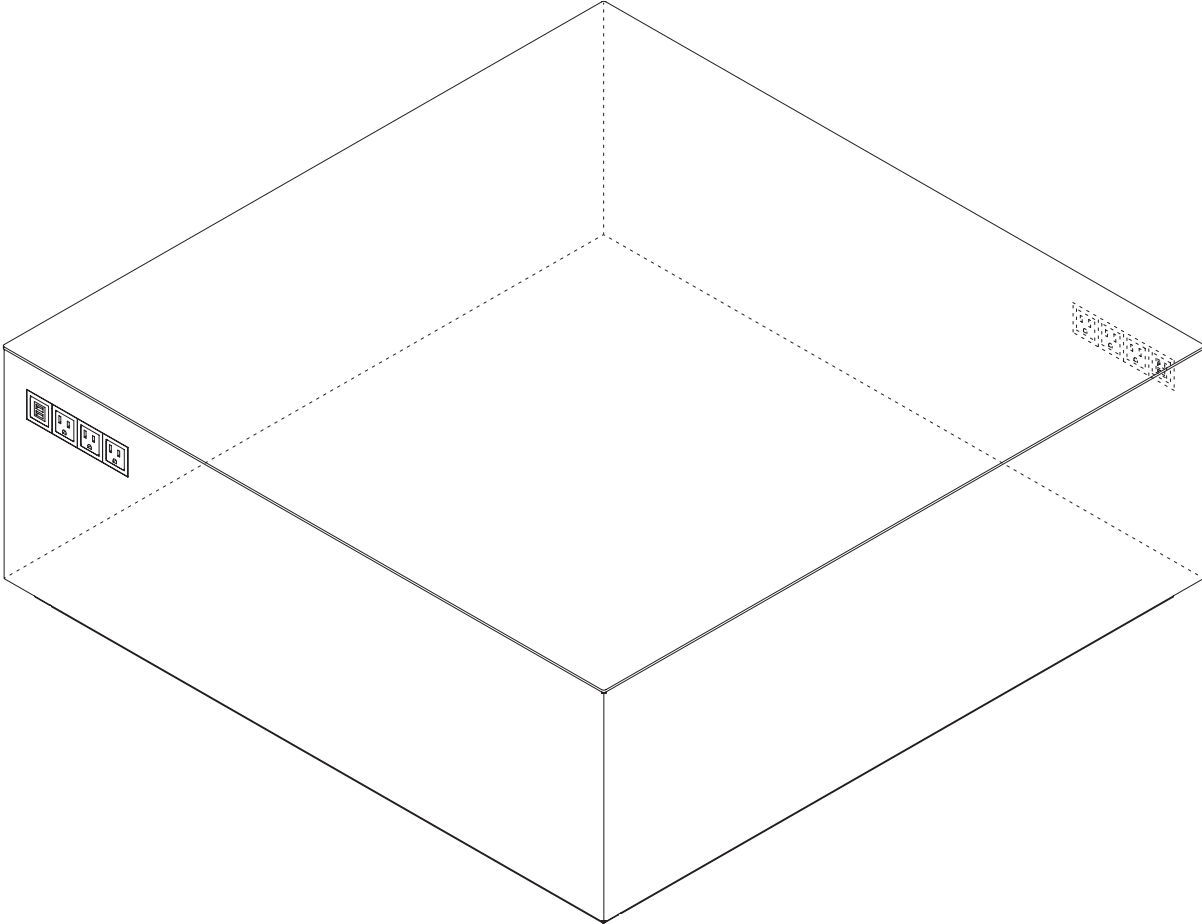




Power Cube Installation Instructions



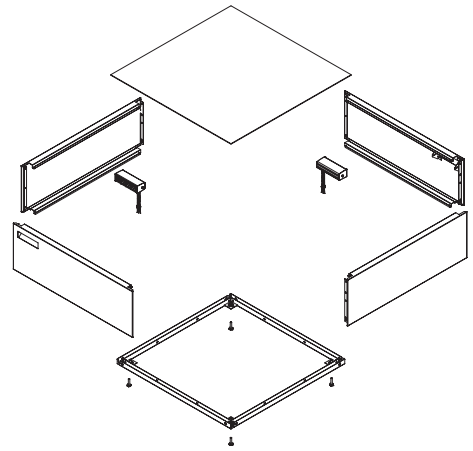
Hardware List

- (32) #8-18 x 1/2" Phillips pan head, self tapping screw 
- (4) Leveler, 2MA0520H01 (base) 
- * Not supplied by Knoll, but suggested for hard wire set:
(2) 1/4" diameter screws depending on floor type (base to floor)

Tools Needed

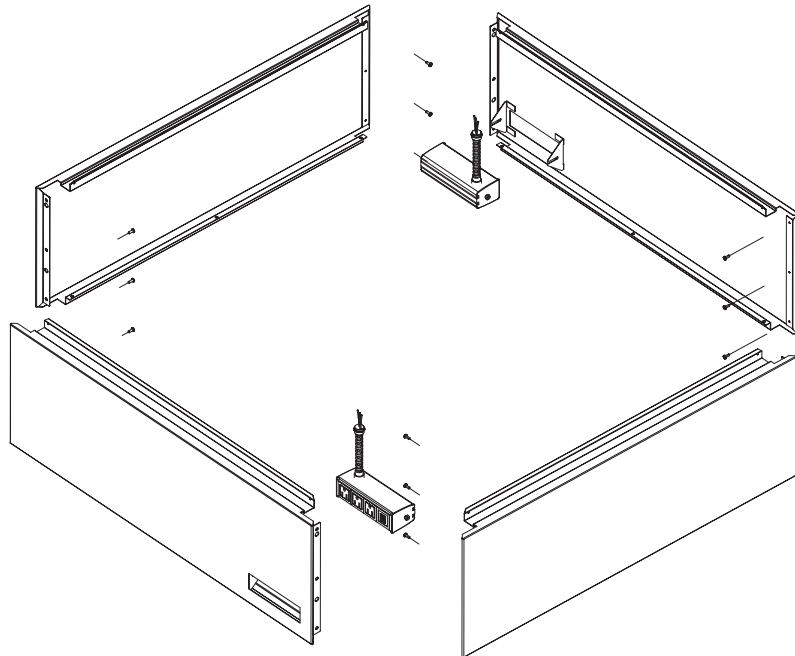
- Magnetic Phillips screwdriver

Note: Instructions apply for all Power Cube configurations including both size tables, 24" and 36", and hard wire and cord set versions. Hard wire has option for (1) or (2) electrical modules. Each module has either (4) outlets or (3) outlets and (2) USB ports.



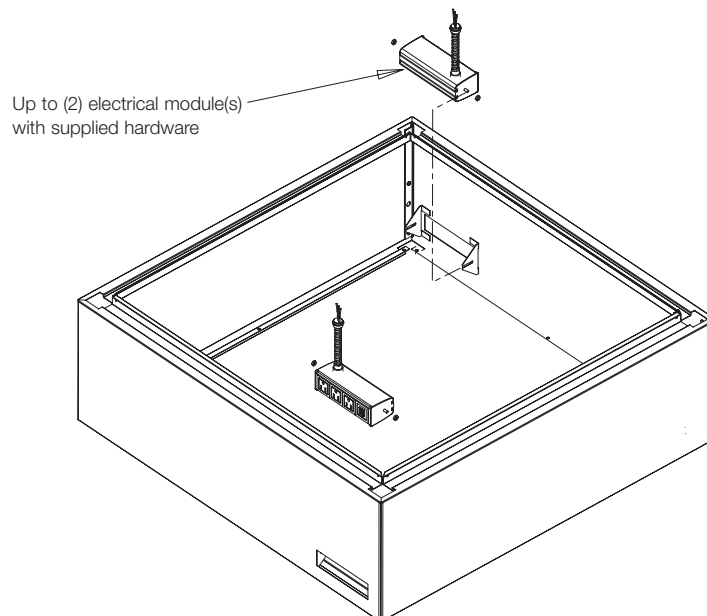
Step 1: Assemble Side Panels (Cube shown upside-down)

1. Determine where panels with electrical outlets should be placed. For hard wire Power Cubes with (2) electrical modules, they can be adjacent or opposite each other. (Shown here on opposite sides.)
2. Assemble 4 side panels together with the top of the panels toward the floor using (3) #8 screws for each corner ((12) total screws).



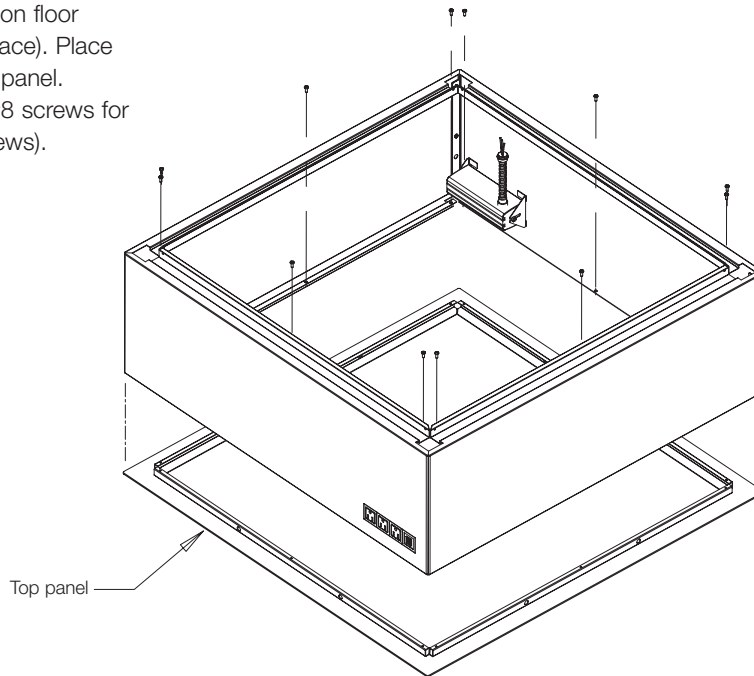
Step 2: Attach Electrical Components (Cube shown upside-down)

1. Attach electrical module(s) to mounting brackets using supplied lock nuts.



Step 3: Place Top Upside-Down on Floor (Cube shown upside-down)

1. Place top panel upside-down on floor (using care to not scratch surface). Place side panel assembly onto top panel. Attach sides to top using (3) #8 screws for each side panel ((12) total screws).



Step 4: Attach Levelers to Base

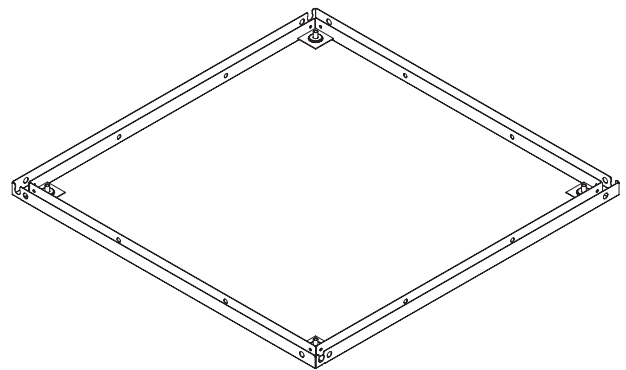
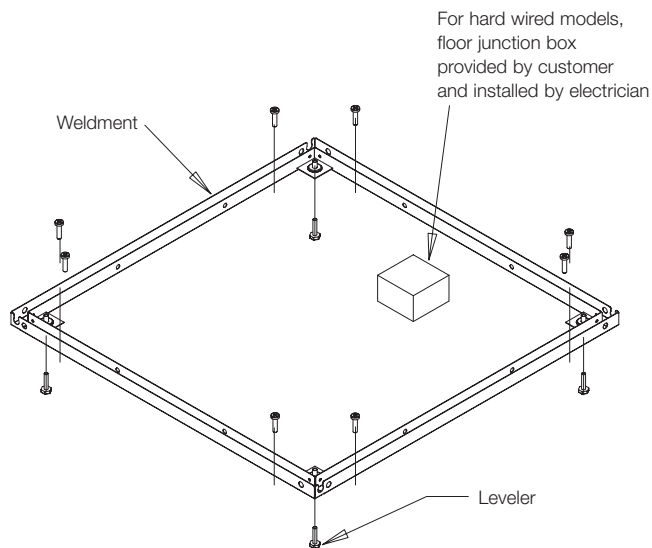
For hard wire installation

1. Attach (4) levelers to base..
2. Place base on floor over junction box. Ensure all (4) base corners are square.
3. Use a minimum of (2) 1/4" screws (not included) to attach base to floor.

Note: Level the assembly before tightening screws.

For cord set installation

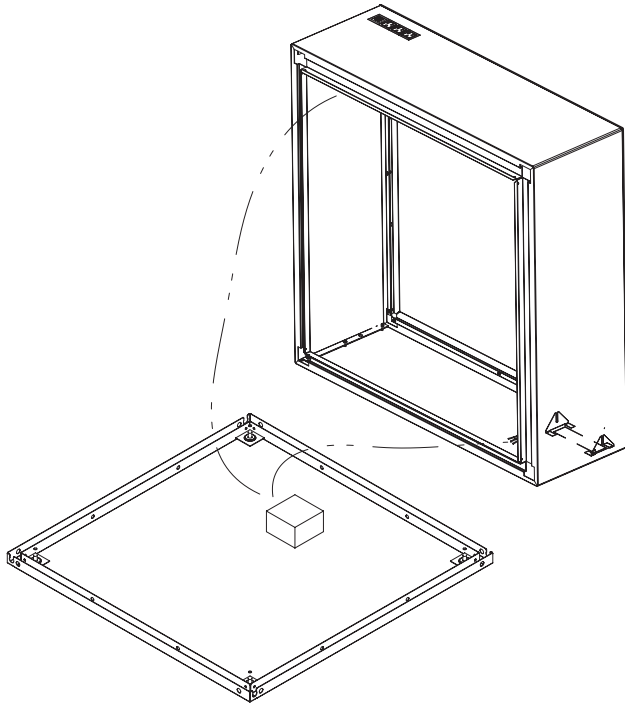
1. Attach (4) levelers to base.
2. Place base on floor near electrical outlet. Ensure all (4) base corners are square.
3. For code compliance, do not attach the base to the floor.



Step 5: Arrange Electrical Connections

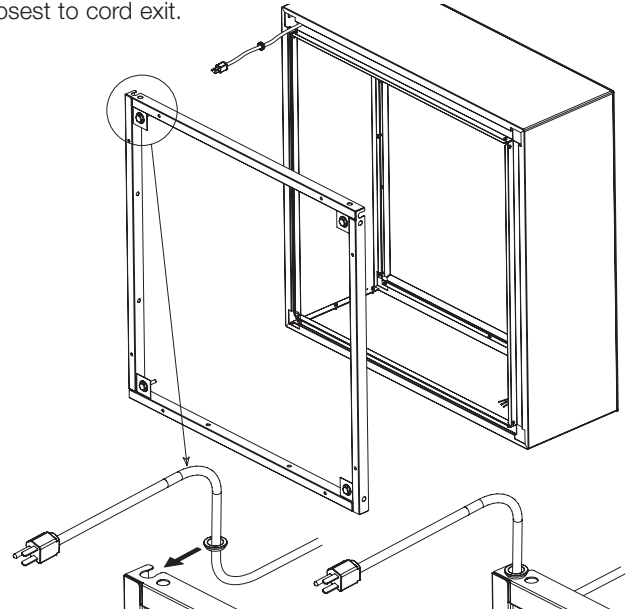
For hard wire installation

1. Place cube assembly on its side near the base to complete hard wire connections (using care to not scratch surface).



For cord set installation

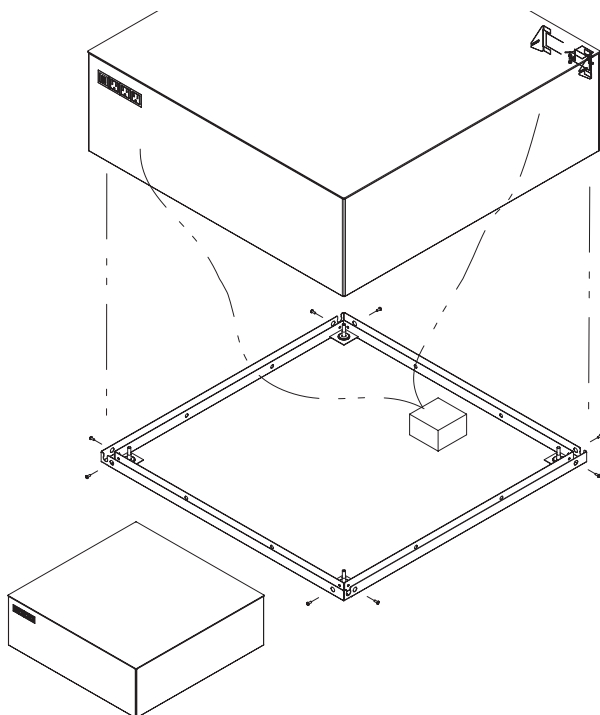
1. Place cube assembly on its side (using care to not scratch surface). Determine desired side for plug exit and pass plug through corner clearance. Extend cord out the full available length.
2. Place base on its side to match against bottom of cube. Slide cord protector along cord to location of cord exit from Power Cube. Then affix cord protector by pushing into base slot closest to cord exit.



Step 6: Place Cube Assembly onto the Base

For hard wire installation

1. Place cube assembly onto the base with top panel up. Attach using (2) #8 screws to opposite corners through large clearance holes to attach cube to base.



For cord set installation

1. Then attach base to cube assembly using minimum (1) screw per side ((4) total screws).
2. Lay fully assembled Power Cube with cord set onto its base and plug into outlet.

Note: For code compliance, cord to outlet connection must remain visible.

For user safety, position cord to avoid tripping hazard.

