

# LSM Table - Installation Instructions

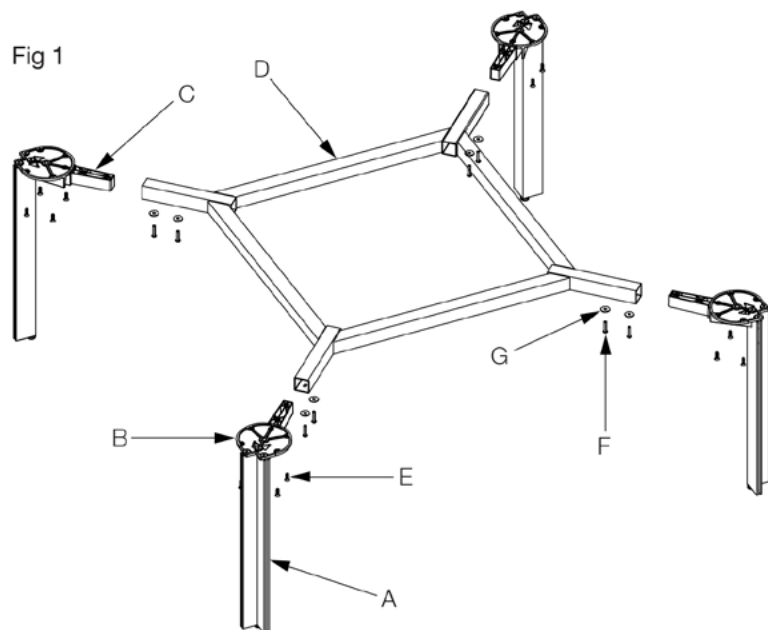
Pattern number: L3-SL48, L3-SL60,  
L3-RL00, L3-RL10

## PARTS LIST

- A. Corner leg
- B. Corner leg plate
- C. Leg bar casting
- D. Square assembly
- E. 5/16-18 x (3/4" for Stone or 1" for Wood tops) Flat head screws, zinc finish (Attach leg castings to top)
- F. 5/16-18 x 1 1/2" Pan head screws (Attach leg castings to support)
- G. Small washers
- H. Large washer
- I. 5/8 x 11 x 1 1/2" Machine bolt (Attach leg to leg castings)
- J. 5/16-18 x 1 1/2" Button head screw (Attach leg to leg castings)
- K. 3/8-16 x 1" Flat head screw (Attach leg to leg castings)
- L. Plastic glide for corner leg
- M. Optional Leveler
- N. 5/16-18 x 1" Button head screws (Attach leg to leg casting)

## Tools needed:

- Phillips driver
- 3/16 Allen wrench
- 3/8 Allen wrench



# LSM Table - Installation Instructions

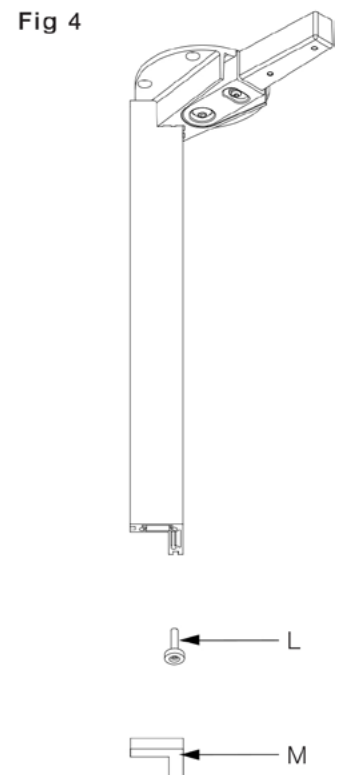
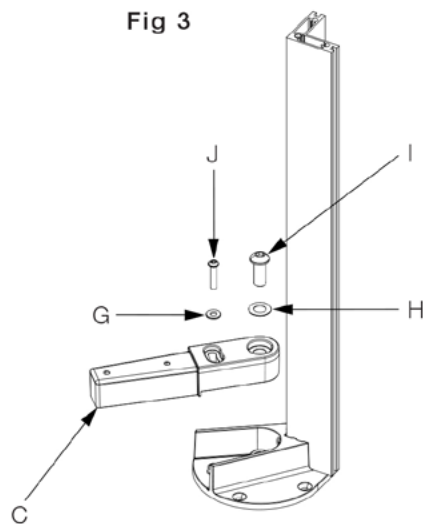
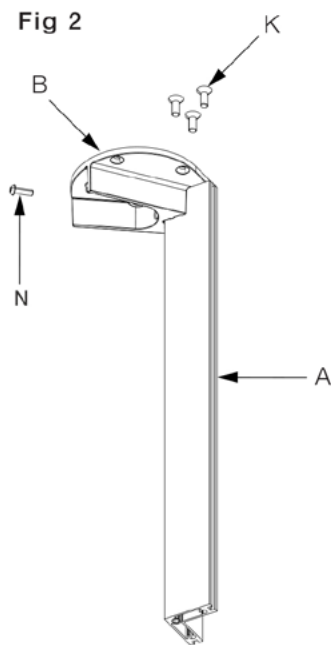
Pattern number: L3-SL48, L3-SL60,  
L3-RL00, L3-RL10

## STEPS

1. Assemble all (4) L-Legs by attaching the Corner Leg Plate (B) to the Corner Leg (A) with (3) 3/8-16 x 1" Flat Head Machine Screws (K). Insert (1) 5/16-18 x 1" Button Head Screw (N) through the inside corner of the Corner Leg Plate (B) into the corner of the Corner Leg (A). See Fig 2.

2. Attach the Leg Bar Casting (C) to the Corner Leg Plate (B) with (1) 5/8-11 x 1 1/2" Machine Bolts (I) and Large Washer (H). Hand tighten only. Add (1) 5/16-18 x 1 1/2" Button Head Screw (J) and Small Washer (G) in the smaller hole. Hand tighten only. See Fig 3.

3. Snap the Plastic Glide for Corner Leg (L) to the bottom of the Corner Leg (A) if no leveling is required. If leveling is required, thread the optional Leveler (M) to the bottom of the Corner Leg (A) in lieu of using the Plastic Glide for Corner Leg. See Fig 4.

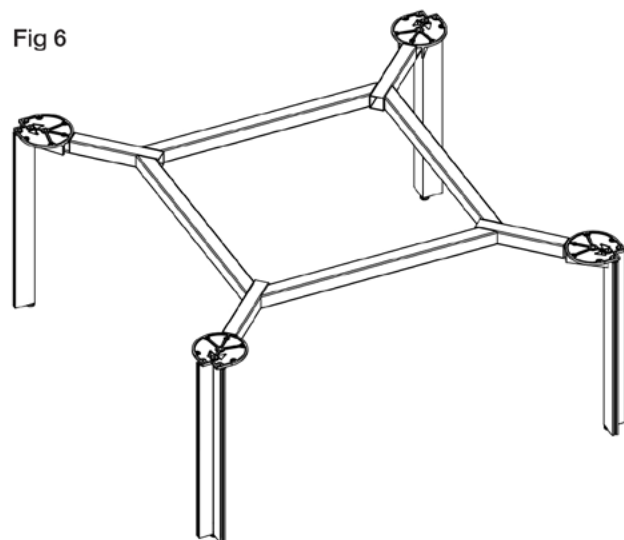
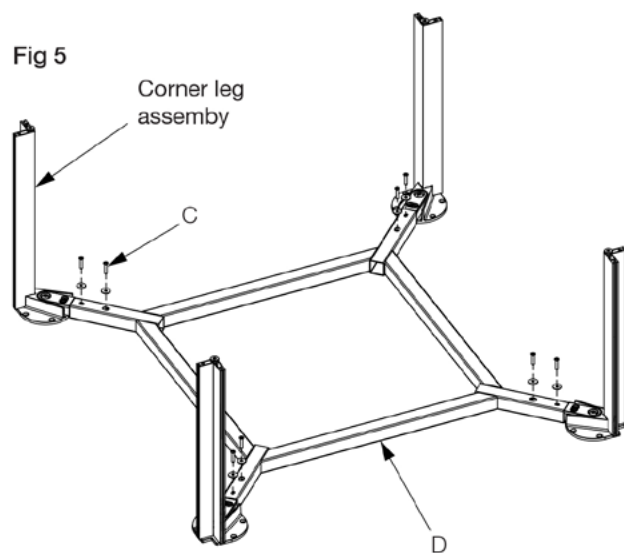


# LSM Table - Installation Instructions

Pattern number: L3-SL48, L3-SL60,  
L3-RL00, L3-RL10

## STEPS

4. Attach corner leg assembly to square frame (D) with (8) 5/16-18 x 1 1/2" Pan head screws (F). See Fig 5.
5. Turn the table assembly right side up. See Fig 6.



# LSM Table - Installation Instructions

Pattern number: L3-SL48, L3-SL60,  
L3-RL00, L3-RL10

## STEPS

6. Turn the table assembly right side up.

7. Place the table top sections on the fully assembled base. Align the holes in the Corner Leg Plate with the inserts in the top and secure with (4) 5/16- 18 x (3/4" for Stone or 1" for Wood tops) Flat Head Screws (E). See Fig 7.

8. To align the corner leg plate screw holes, loosen the 2 screws (I) (J) on the corner leg top plate. Maneuver the corner leg until the leg edge aligns with the table top. See Fig 8.

9. Shim the table as required to make all sections level with one another.

Fig 7

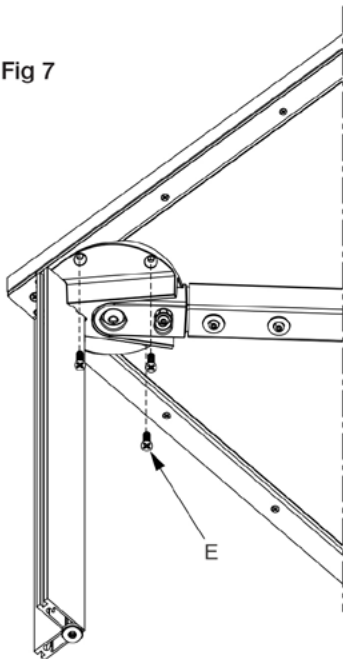


Fig 8

