

KE6 Electrical Module

Four Receptacle Module

Step 1.

Open flip door (A).

Step 2.

Align KE6 electrical module (B) over pre-drilled holes (C) in cross member trough.

Step 3.

Attach electrical module to trough using (2x) #10 x 1/2" hex washer head sheet metal screws (D).

Step 4.

Close flip door (A).

Electrical module should align with flip door cut-out.

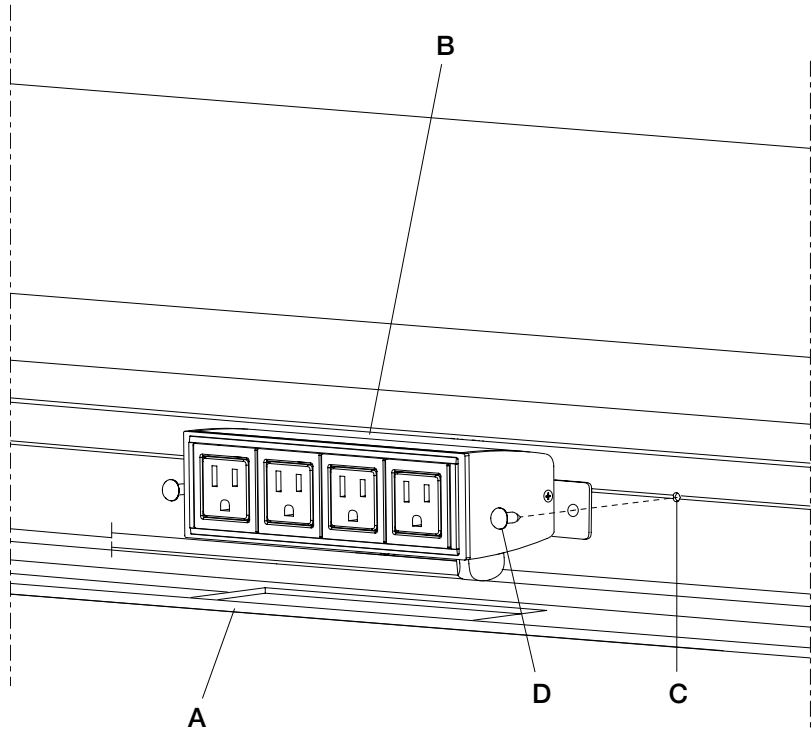


Fig. 1

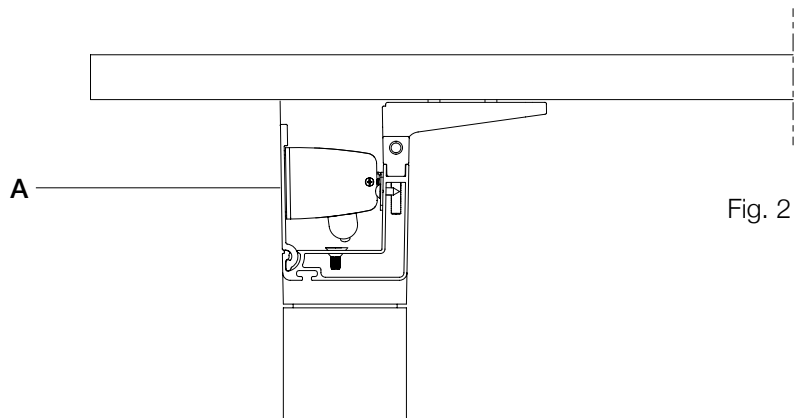


Fig. 2