

Pixel Electric Height Adjustable Table - Operating Instructions

Glides only

Related tables:

KCXE6030G KTXE6036G

KCXE7230G KTXE7236G

Parallel drive

The arrow buttons (A) start parallel drive.

The function is only activated when holding the button down.

Memory drive

Small buttons with dots (B).

Press one of the memory buttons and the system will start driving to the pre-programmed memory position. Keep the button pressed until the position is reached.

Store memory

Press S button (C).

Within two seconds press one of the small buttons with dots and the position will be stored at this button.

Table Height

In standing position, table height should be just below the elbow.

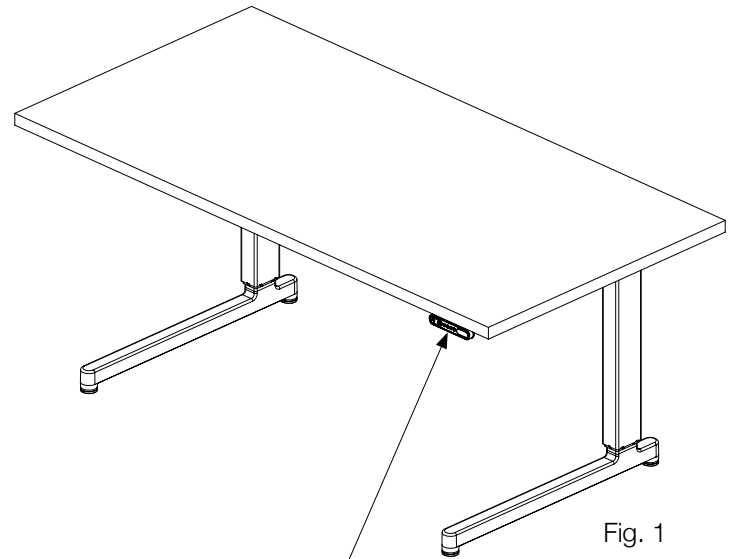


Fig. 1

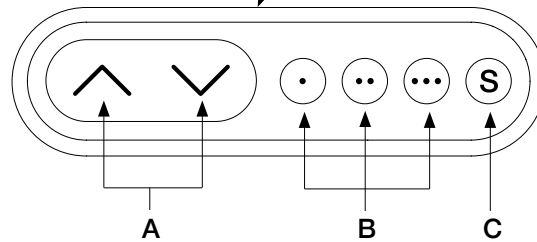


Fig. 2

Electric Height Adjustable Table - Troubleshooting

1. The desk does not drive at all

Check: Is the main power connected to the control box?

Try/Solution: Try to connect a lamp or similar to the main power supply to check that the supply voltage is OK.

Check: Are all plugs mounted correctly in the control box and to the leg?

Try/Solution: Check all connections.

Check: Are there any visible damages on cables, controls, the control box or legs?

Try/Solution: Contact Knoll Customer Service.

Check: Is something blocking the movement: cables, furniture or other objects?

Try/Solution: Remove items that are blocking the table.

2. The desk can only drive downward

The desk must be initialized. (Error code E01)

How to initialize:

Press down key and drive to the lowest position.

Hold the key until the desk stops completely

Reactivate the down key and hold the key until the desk stops completely.

Now the desk can drive up.

3. How to store a memory position

Positions (e.g. for sitting and/or standing) can be stored.

How to store:

- Drive to the height you wish to store
- Press 'S' and then the memory button

Your position has now been stored

To recall your memory position, press the memory button until you reach the stored position.

4. The desk will not drive fully upwards. Always stops in the same position.

The system has set a new end-stop outwards. To erase this position, the desk must be initialized again. See #2