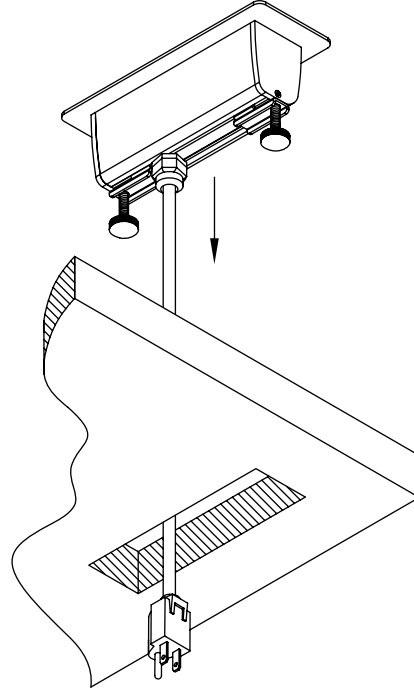
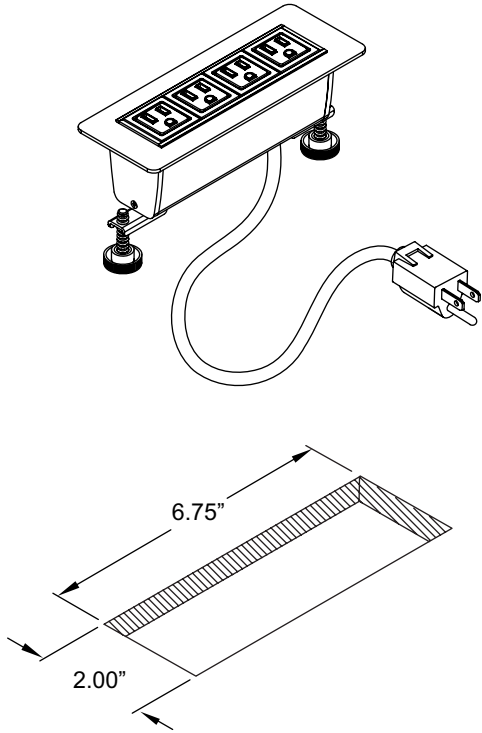
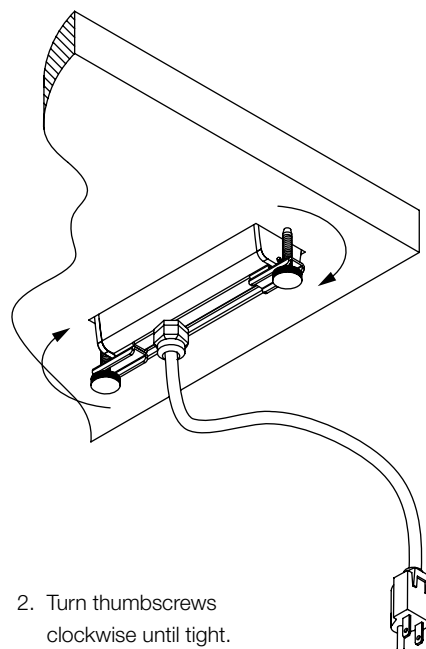
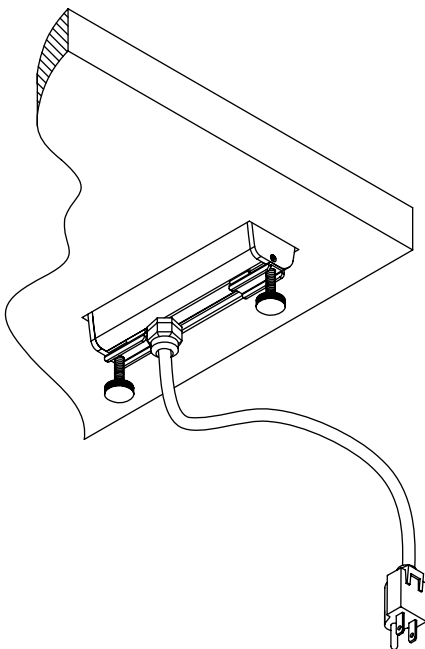


KE5 Electrical Module

Four Receptacle Module



1. Insert module into cut-out.



2. Turn thumbscrews clockwise until tight.