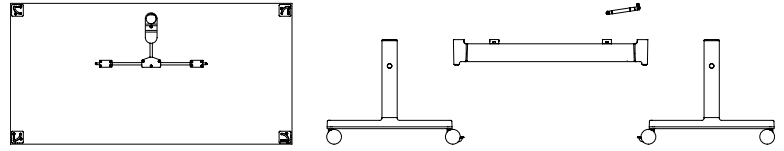


T-Leg Height Adjustable Flip-top Tables

Casters only

Related tables:

- KTPA6030C KTPA6036C
- KTPA7230C KTPA7236C



Unboxing

You should have received your top plus two boxes per table.

Box 1 includes:

Leg assemblies, hardware in a red plastic bag, and installation instructions.

Box 2 includes:

Wire management trough assembly.

Parts list

- 1 Table top
- 2 T-Leg assemblies
- 1 Wire management trough assembly

Hardware

- 4 Socket cap head 3/8"-16 x 6" bolts
- 8 Socket cap head 5/16"-18 x 1" screws
- 1 Gas cylinder
- 2 Vertical wire management clips (clear plastic)
- 4 Horizontal wire management clips with wood screws

Tools needed

- Allen wrenches
- Torque wrench
- #2 Phillips screwdriver
- Punch
- Hammer

Please pay close attention to torque requirements.

Step 1.

Attach the wire management trough to the T-Legs using socket cap head 3/8"-16 x 6" bolts (A), 2 per leg. Use 5/16" allen wrench, torque: 200 in/lb.

Keep both locking casters (B) on the opposite side from the curved link (C).

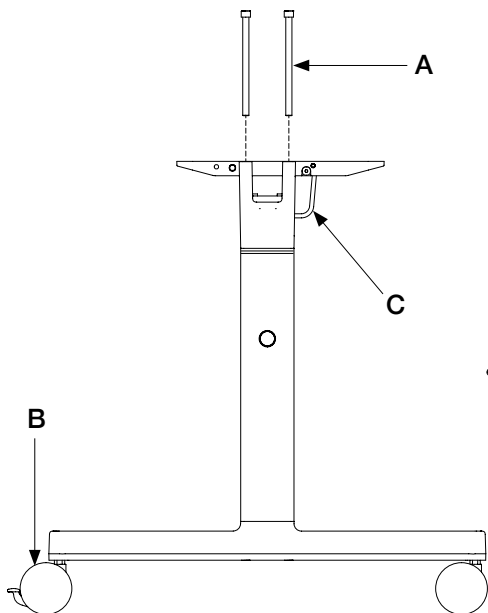


Fig. 1

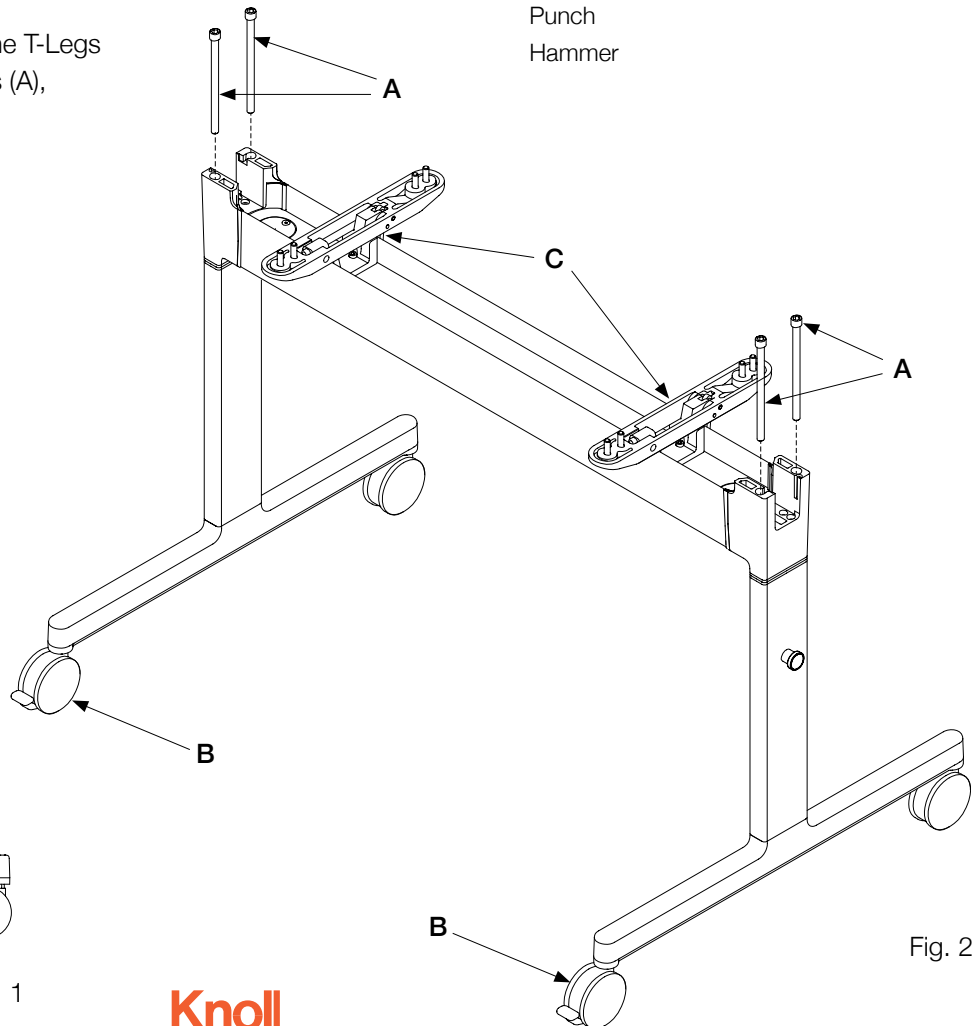


Fig. 2

T-Leg Height Adjustable Flip-top Tables

Step 2.

Lay the inverted table top assembly on the floor.

Step 3.

Remove one of the locking pin latch covers (D), by unscrewing the 4 wood screws. Use #2 Phillips screwdriver.

Step 4.

Remove the cam cover (E) and the 2 cams (F) by unscrewing the 3 wood screws. Use #2 Phillips screwdriver.

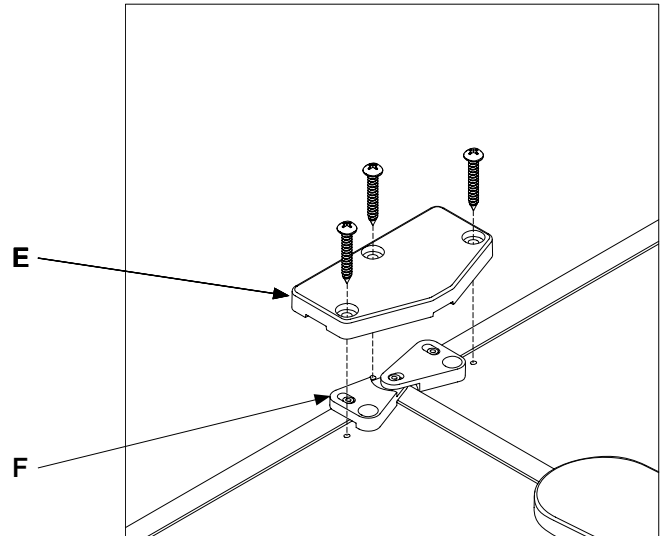


Fig. 3

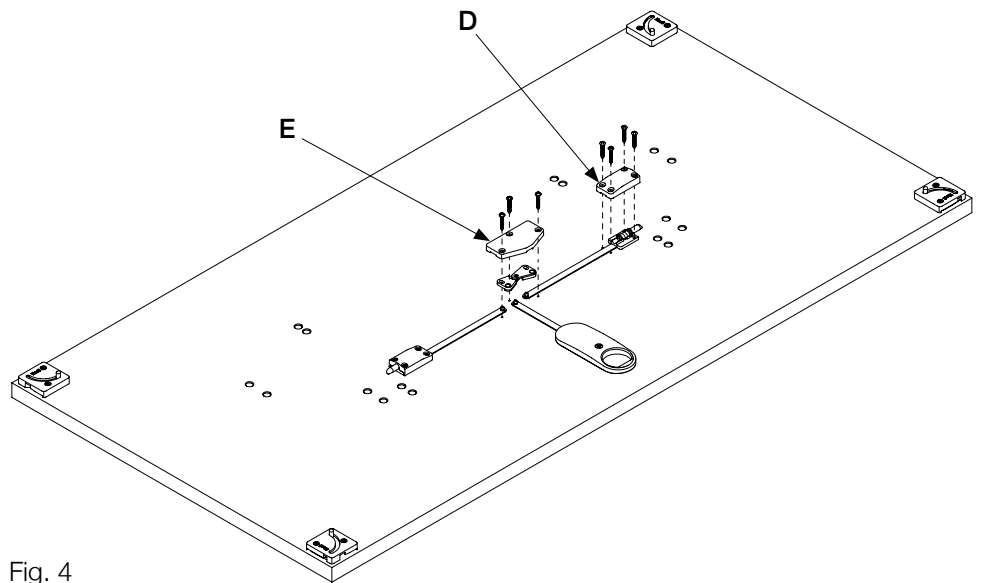


Fig. 4

T-Leg Height Adjustable Flip-top Tables

Step 5.

Place the leg assembly on top and at an angle. Locking casters should be on the same side as the latch. Slide the leg assembly (H) onto locking pin (G), fitting the locking pin into the casting hole (opposite to the disassembled side).

Slide locking pin assembly (I) into casting hole and replace the locking pin latch cover, tighten screws. Use #2 Phillips screwdriver, torque: 15-20 in/lb. The flip hinge brackets are now flush with the top.

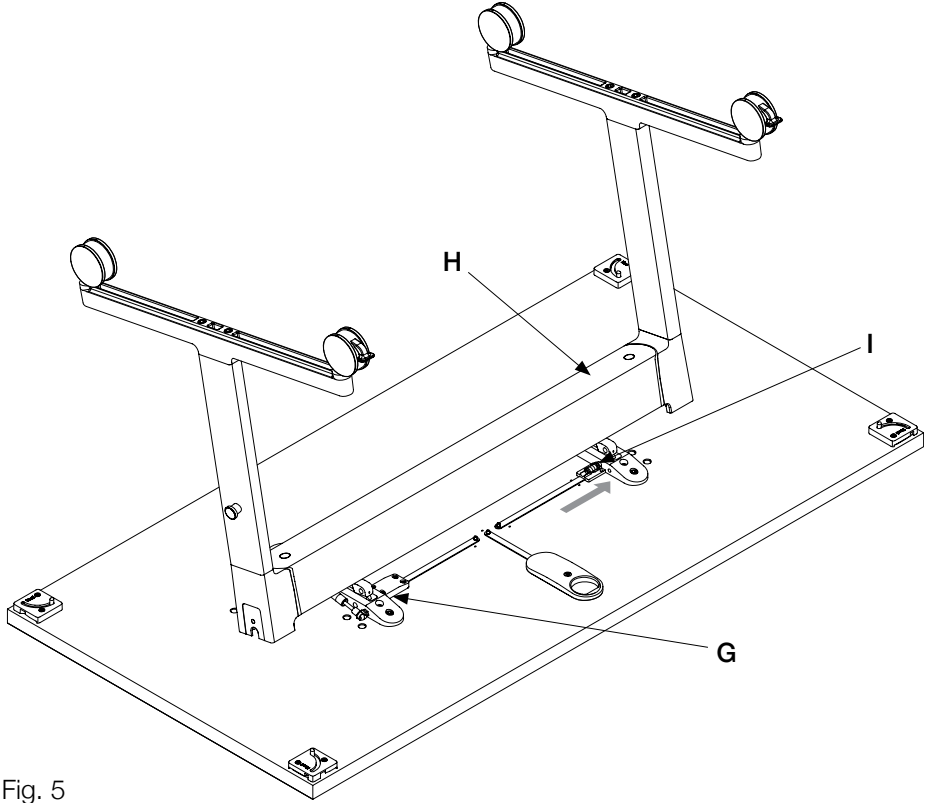


Fig. 5

Step 6.

Replace cams and cam cover, tighten screws. Use #2 Phillips screwdriver, torque: 15-20 in/lb.

Ensure proper orientation of cams.

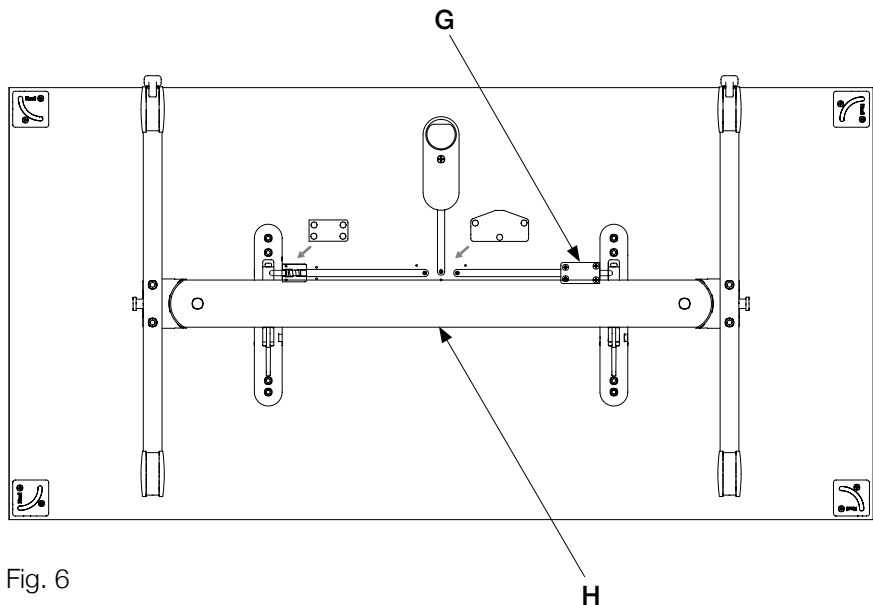


Fig. 6

T-Leg Height Adjustable Flip-top Tables

Step 7.

Align and attach the flip hinge brackets with the threaded inserts in the table top, using 5/16"-18 x 1" screws (I), 4 per hinge. Use 1/4" allen wrench, torque: 130 in/lb.

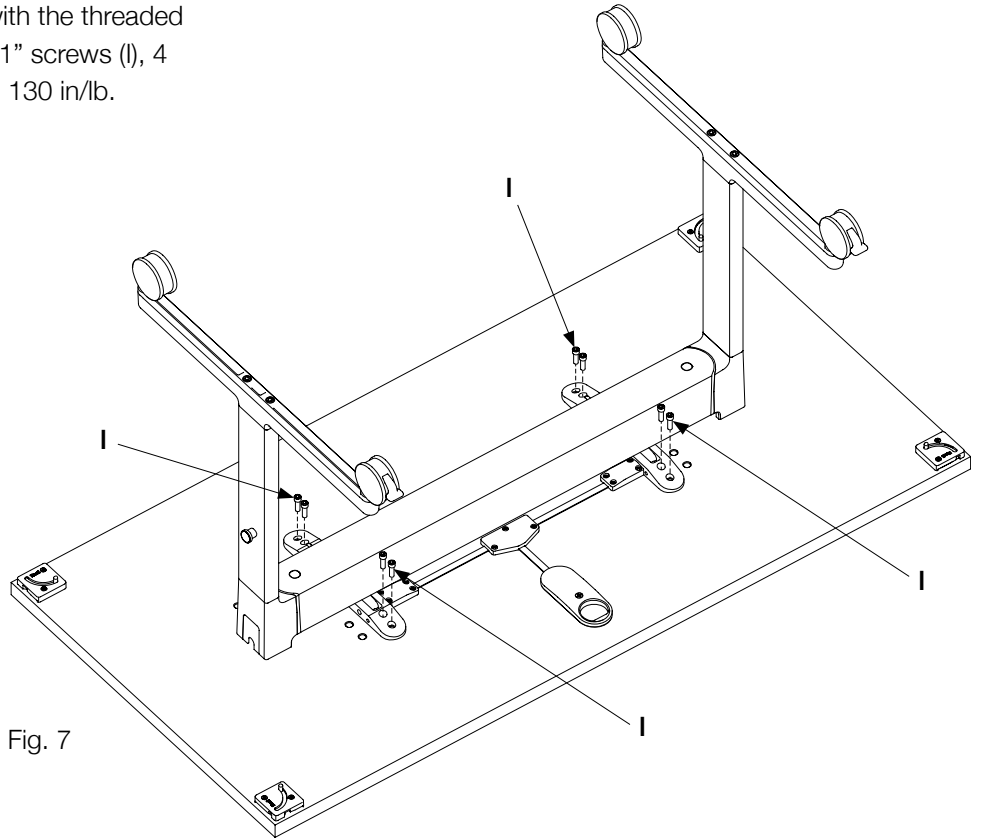


Fig. 7

T-Leg Height Adjustable Flip-top Tables

If the T-Leg bottom casting is not parallel with the table top edge, then the following adjustment should be made:

Step 8a.

Remove both knurled pins (J) with a punch and hammer from the hinge block casting from the side opposite the knurl.

Step 8b.

Lift the curved link (K) from the hinge block casting.

Step 8c.

Turn the leg to be parallel with the table top edge.

Step 8d.

Turn the curved link clockwise or counter-clockwise until the loose pin end aligns with the knurled pin hole.

Step 8e.

Insert the knurled pin (J) with a punch and hammer back into the casting.

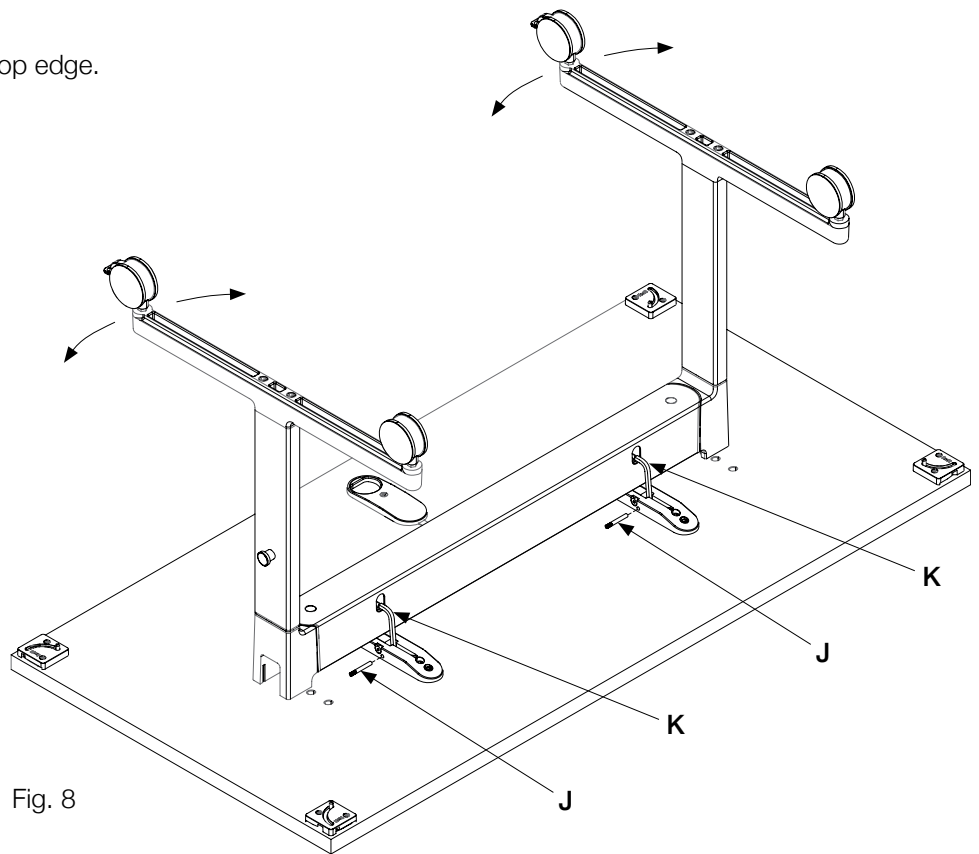


Fig. 8

T-Leg Height Adjustable Flip-top Tables

Step 9.

Turn the table over into the upright position.

Step 10.

Flip the table top up using the pull (L) on the underside of the top.

Step 11.

Attach the gas cylinder (M) to the hinge assembly. The ball studs are already attached to the outside of the right hinge assembly.

Step 12.

Insert the trough end covers (N) in the slots on each leg upper casting.

All tables come with 2 vertical wire management clips, 4 horizontal wire management clips and wood screws for use with optional electrical modules. See separate electrical installation instructions for details.

If the table is being used as a stand-alone piece and the ganging mechanism will not be used, you can remove the mechanisms by unscrewing them.

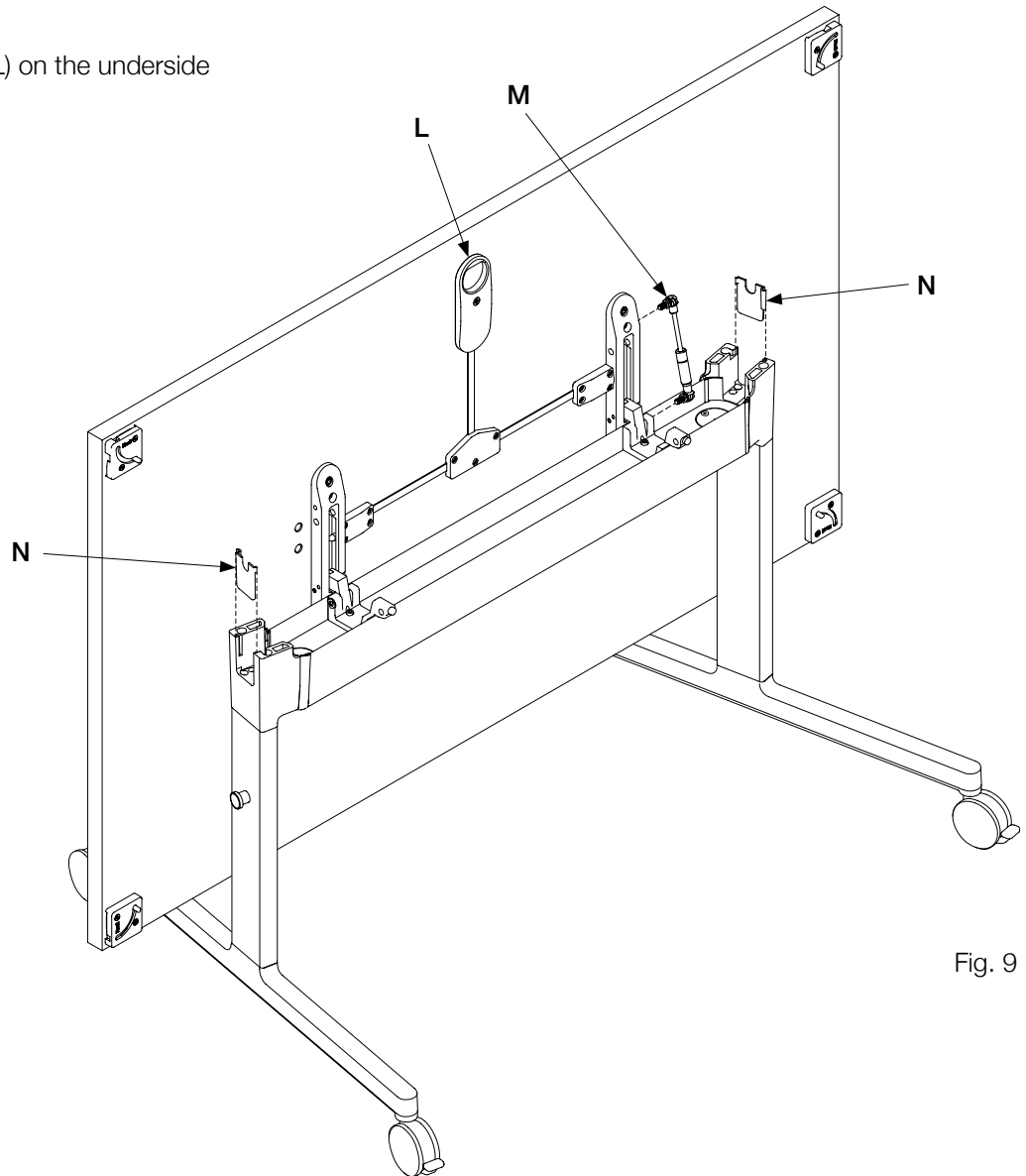


Fig. 9

T-Leg Height Adjustable Flip-top Tables- Operating Instructions

To adjust the table height:

Step 13.

Begin on one side of the table. Rest your foot on the lower casting (O).

Step 14.

Pull the spring pin knob (P) and lift table top to the desired height

Step 15.

At the approximate desired height, let the top slide downwards until the spring pin re-engages in the lock position.

Step 16.

Go to second side. Pull pin (Q) and lift to height desired. Let pin re-engage.

The maximum height is 34 inches measured from the top of the table to the floor.

All tables come with 2 vertical wire management clips, 4 horizontal wire management clips and wood screws for use with optional electrical modules. See separate electrical installation instructions for details.

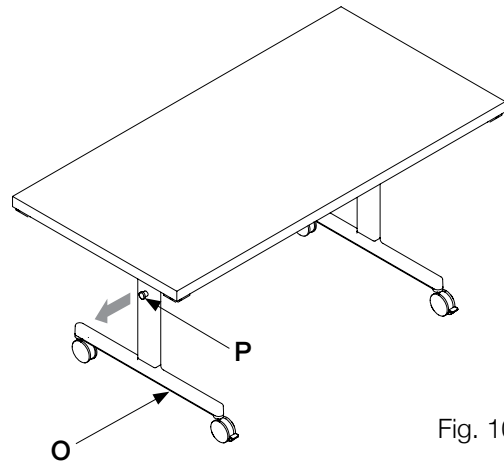


Fig. 10

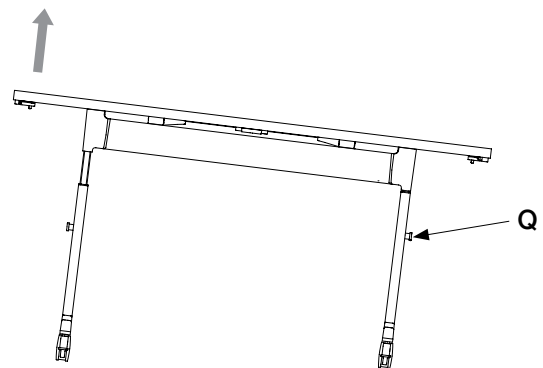


Fig. 11

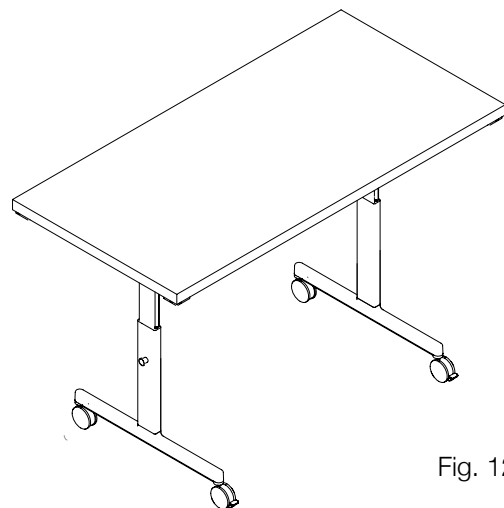


Fig. 12