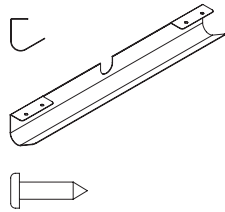


Wire Manager "J" Under Mount

Parts List - Hardware

(A) P/N VARIES
UNDER-MOUNTED WIRE MANAGER

(B) 5112220
SCR,SM PNP 10x3/4 TY-A ZN



Tools Needed

- Measuring Tape
- 8/16" Diameter Drill
- Square Drive Screw Driver

Note: Applications depicted here are typical. The location and application you choose may differ, but the attachment method should remain the same.

**Typical A:
Peninsula Top without a Modesty**

1. Position the wire manager (A) as required and using fastener (B) secure it to the mounting surface. (Fig. 1A & 1B)

**Typical B:
Credenza Top with Desktop Grommet(s)**

1. Position the wire manager (A) as required against the wall and using fastener (B) secure it to the mounting surface. (Fig. 2A & 2B)

**Typical C:
Credenza Top with Edge Grommet**

1. Position the wire manager (A) as required (within the edge grommet area) anywhere from 1" to 7/8" away from the back edge. Then using fastener (B) secure the wire manager (A) to the mounting surface. This location will create a 3/8" to 1/2" "wireway" which will enable the ability to run wires anywhere along the opening in the work surface while still allowing the ability to run wires in behind though the grommet of the wire manager. (Fig. 3A & 3B)

**Typical A:
Peninsula Top without a Modesty**

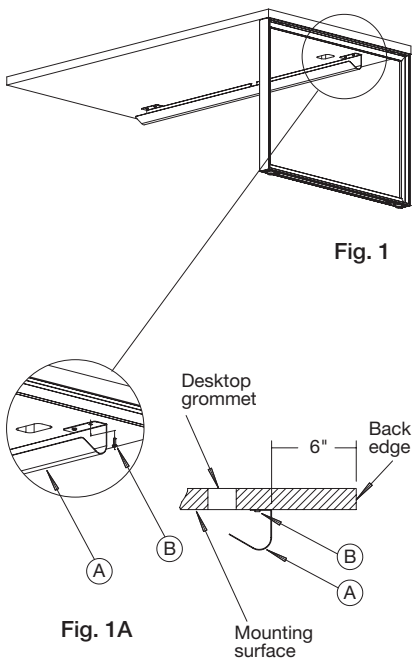


Fig. 1

**Typical B:
Credenza Top with Desktop Grommet(s)**

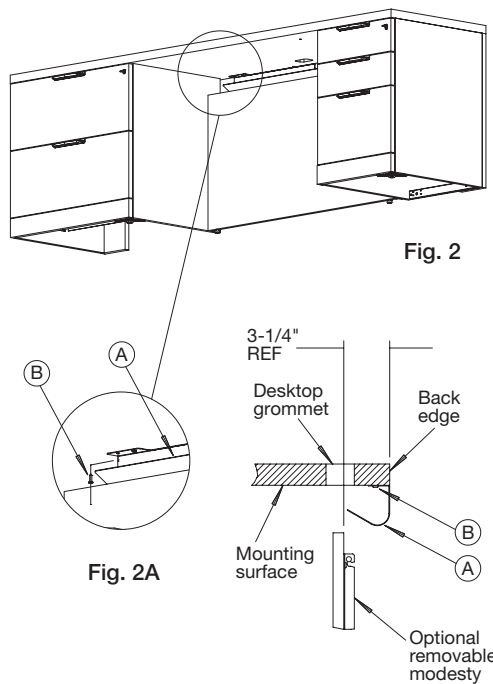


Fig. 2

**Typical C:
Credenza Top with Edge Grommet**

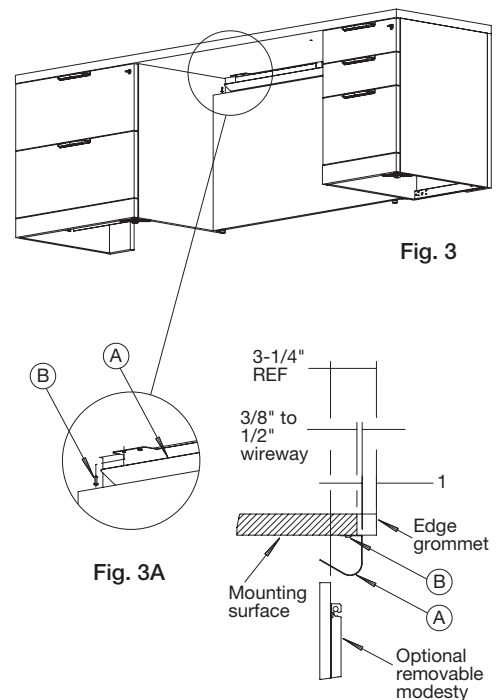


Fig. 3