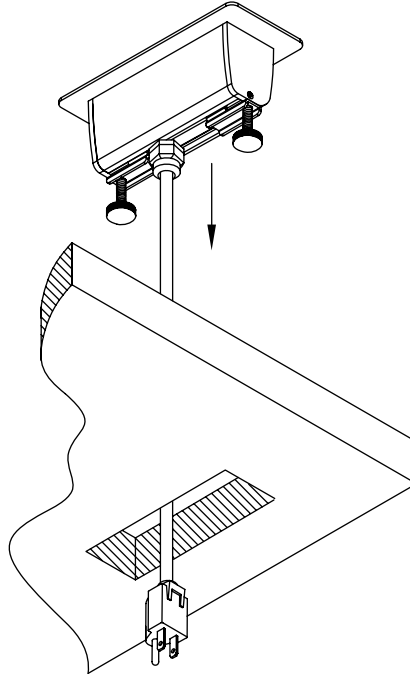
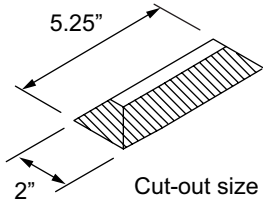
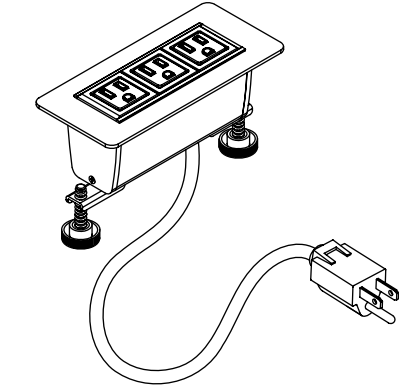
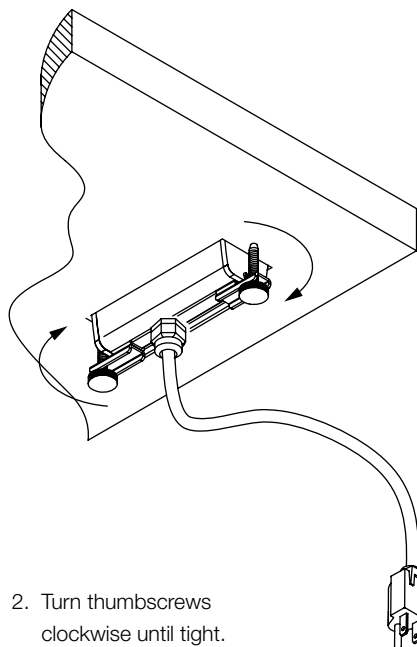
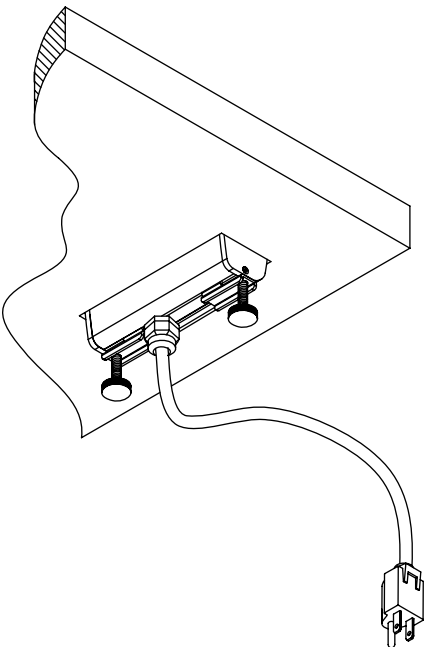


KE8 Electrical Module

Three Receptacle Module



1. Insert module into cut-out.



2. Turn thumbscrews clockwise until tight.