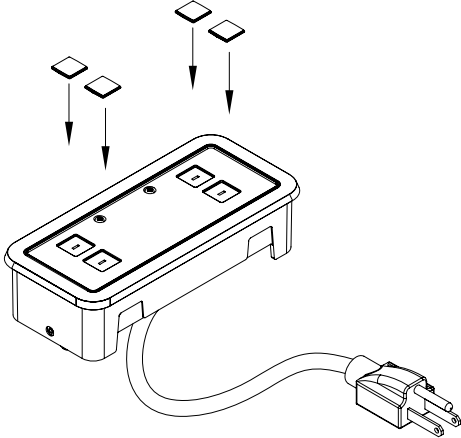
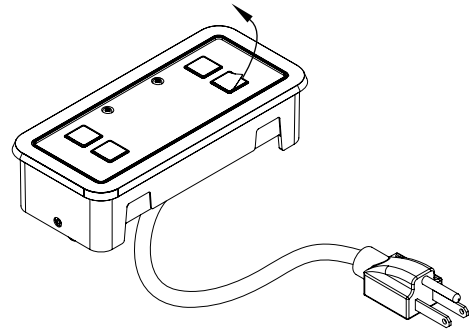


# KE4 Electrical Module

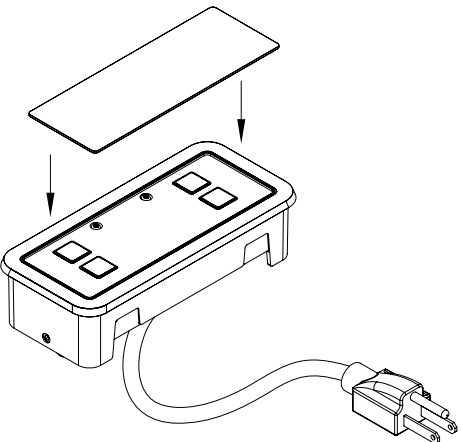
## Four Receptacle Module



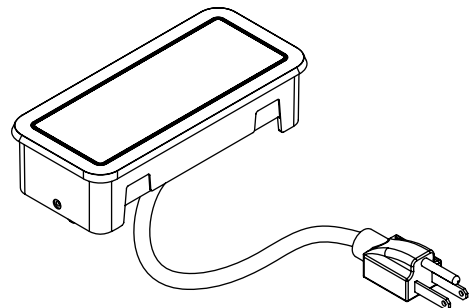
1. Snap clips to unit as shown.



2. Remove adhesive backing.

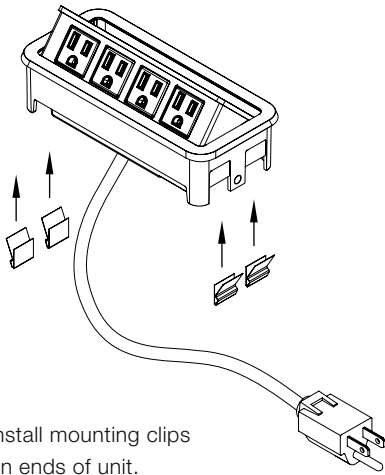


3. Align lid to unit.

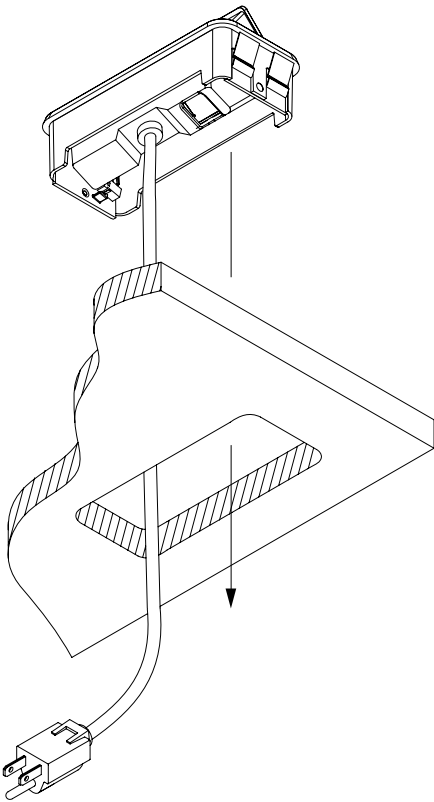
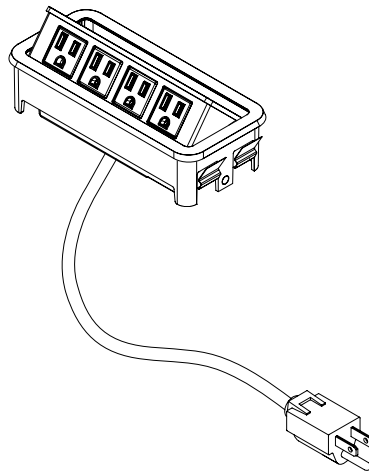


4. Press firmly to attach.

# KE4 Electrical Module



5. Install mounting clips on ends of unit.



6. Insert module into cut-out.

