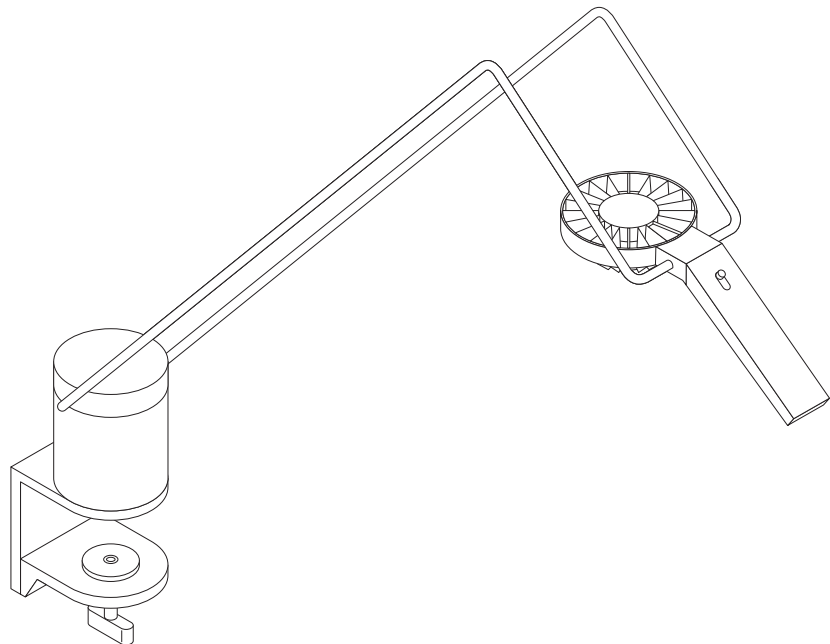


06/23/2014

Sparrow™ Desktop LED Light Panel Table Clamp Mount Installation Instructions



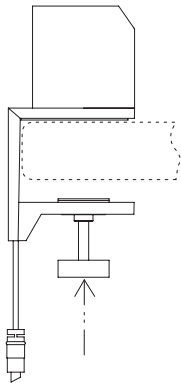
Tools Needed

- Phillips screwdriver with #3 bit

Step 1

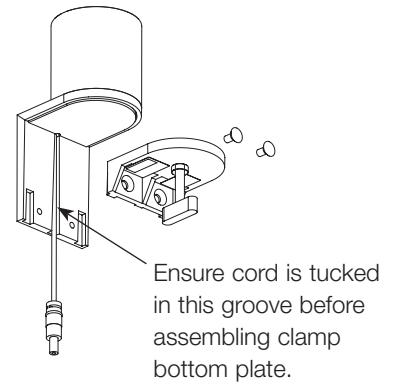
For installation on open edge of work surface:

Slide panel table clamp onto edge of work surface. Tighten wing screw by hand for a secure mount. Do not over tighten.

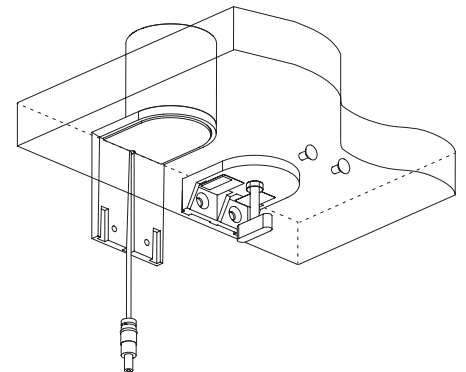


For installation on a work surface with minimum of 3/16" from back edge of work surface to wall, screen or panel.

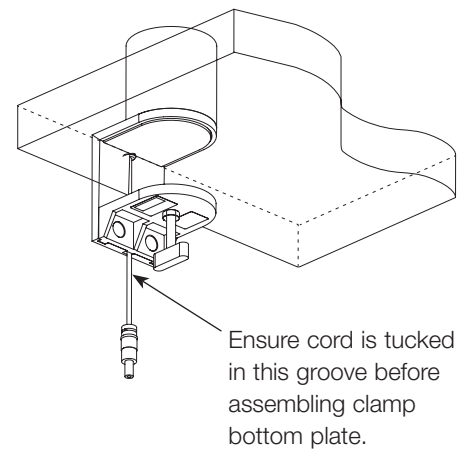
Disassemble panel table clamp by unfastening (2) bottom screws. Gently separate clamp bottom plate from clamp assembly by sliding it off the cord protector.



Fit upper clamp in desired location on work surface.

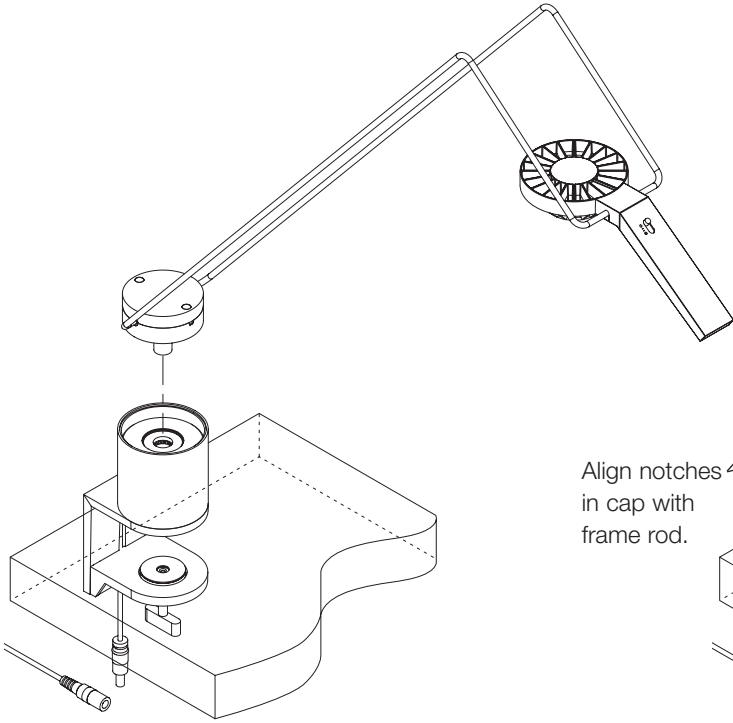


Then reinstall (2) bottom screws to reassemble clamp bottom plate to upper clamp. Tighten wing screw by hand for a secure mount. Do not over tighten.



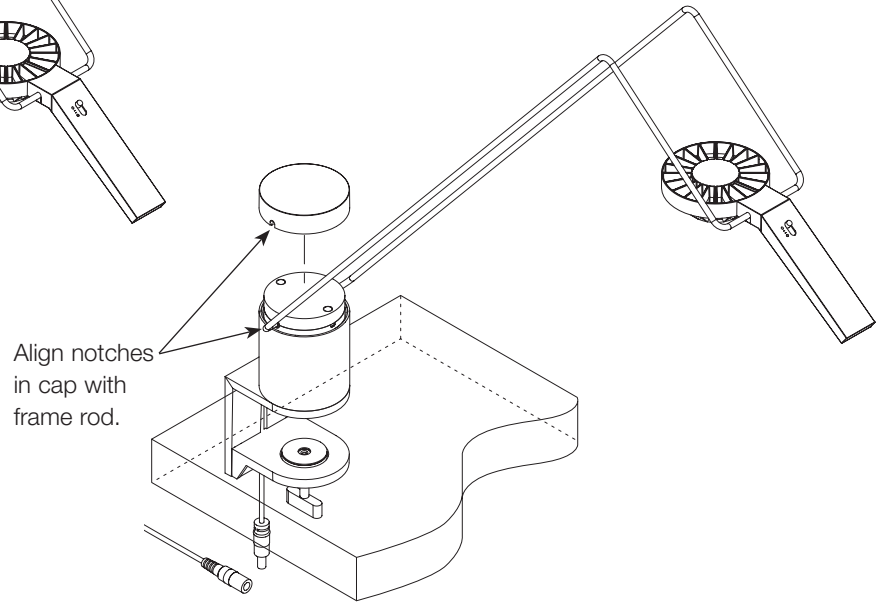
Step 2

Insert lamp frame into base mount. Press down for secure connection.



Step 3

Snap cap into place.



Step 4

Connect in-line power cord jack to power adaptor. Plug into power outlet.

Note: Sparrow offers a stepped dimmer for lighting control (100%, 60% and 30%).

