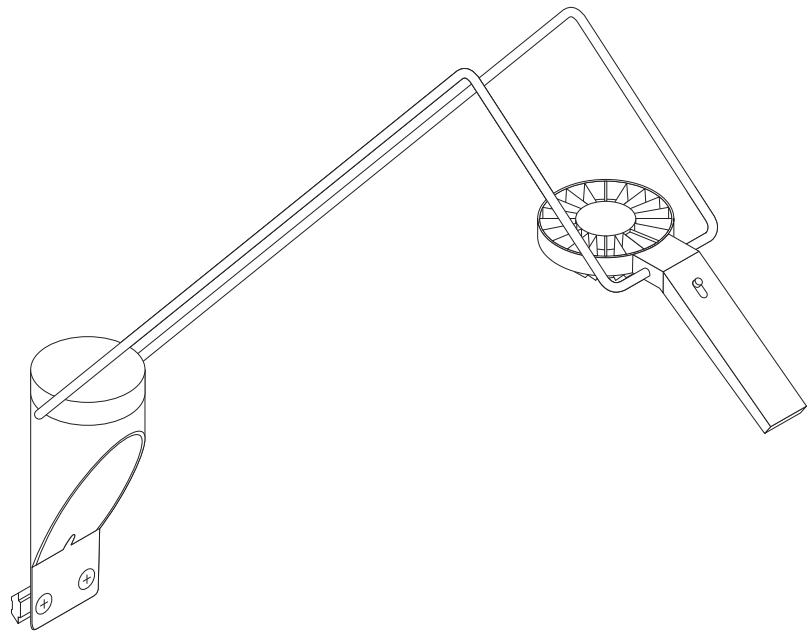


10/10/2013

Sparrow™ LED Desktop Light Antenna Beam Side Mount Installation Instructions

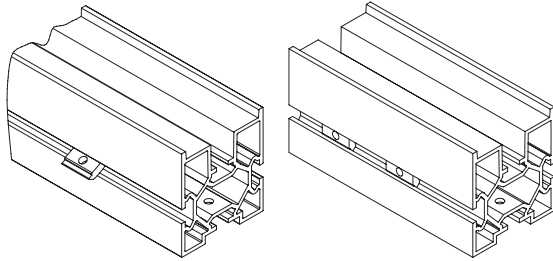


Tools Needed

- Phillips screwdriver with #3 bit

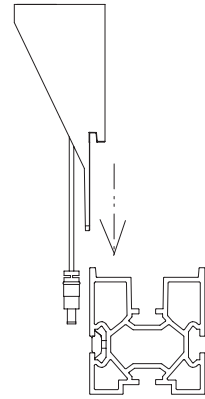
Step 1

Insert (2) slot nuts into side channel of beam of Antenna Big Table by pushing one side (long edge) down into the channel until the opposite side drops into the channel. Then slide slot nuts to desired mounting location.



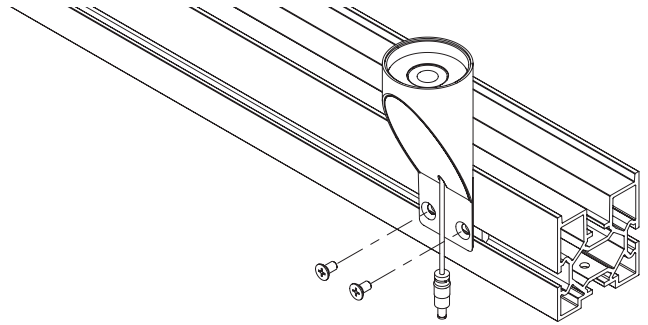
Step 2

Hook mount onto side flange of Antenna beam.



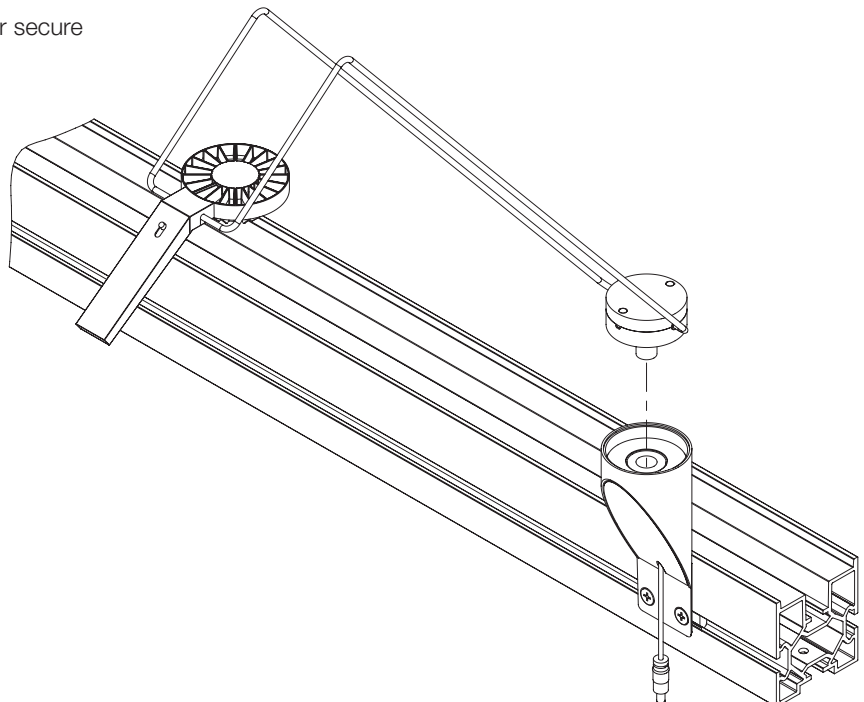
Step 3

Secure mount with (2) screws into slot nuts recessed in Antenna beam. Tighten securely.



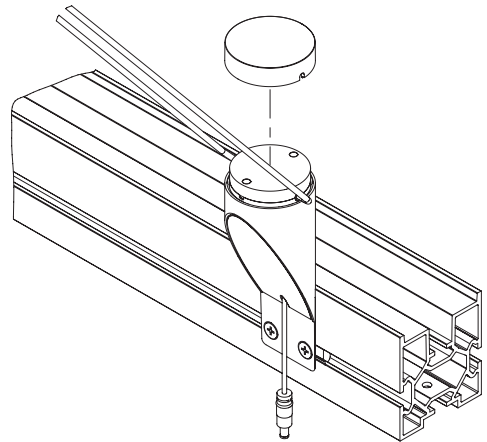
Step 4

Insert lamp frame into base mount. Press down for secure connection.



Step 5

Snap cap into place.



Step 6

Connect in-line power cord jack to power adaptor. Plug into power outlet.

Note: Sparrow offers a stepped dimmer for lighting control (100%, 60% and 30%).

