

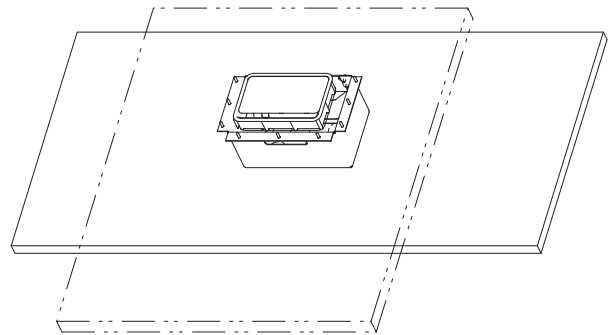
# Peninsula Power Center Electrical Outlet & Stand-off

Reference Number: 6tp00505

HARDWARE LIST		
(A)	(B)	(C)
6TP40224 GROM,RND\1-3/4DIA	6TP42025 STAND-OFF	5112220 SCR,SM PNP 10x3/4 T-17 BL
(D)	(E)	(F)
5112311 SCR,PHP 10-32x1/2 T-F BL	P/N VARIES ELECTRICAL OUTLET	6TP40181 GROM,PWR CTR\5x8

### Tools Needed

- Drill gun
- #2 - Phillips driver bit
- Tape measure



1. On the surface where the peninsula is to be mounted, mark the centre point location of the stand-off. The recommended depth location is 12" from the back edge but can be modified to suit other preferences or requirements. (Fig. 1)
2. If grommet (A) is required, from the marked centre-point drill a 1-3/4" hole offset within a range of 1-1/8" in depth and 2-5/8" in length then insert the grommet. (Fig 1)
3. Install the stand-off (B) to the underside of the peninsula top using fastener (C) 9 places. (Fig 2)

Fig 1

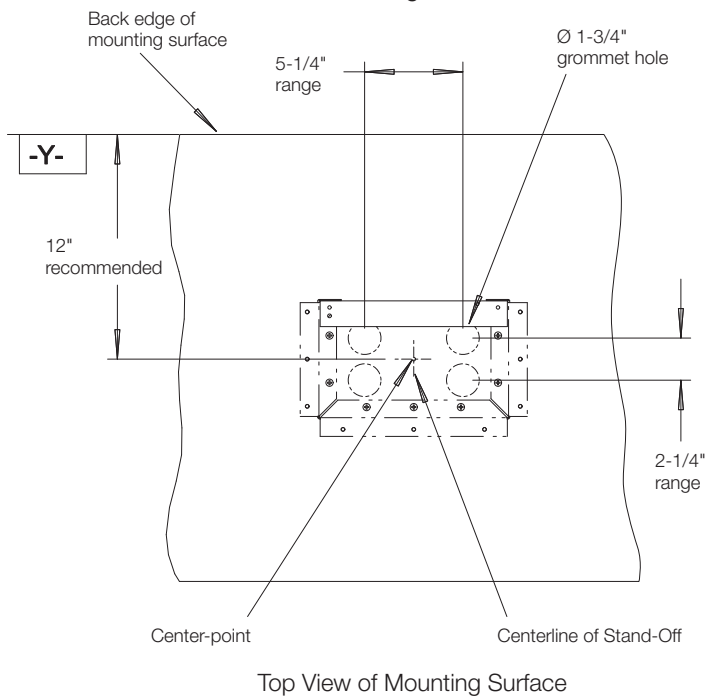
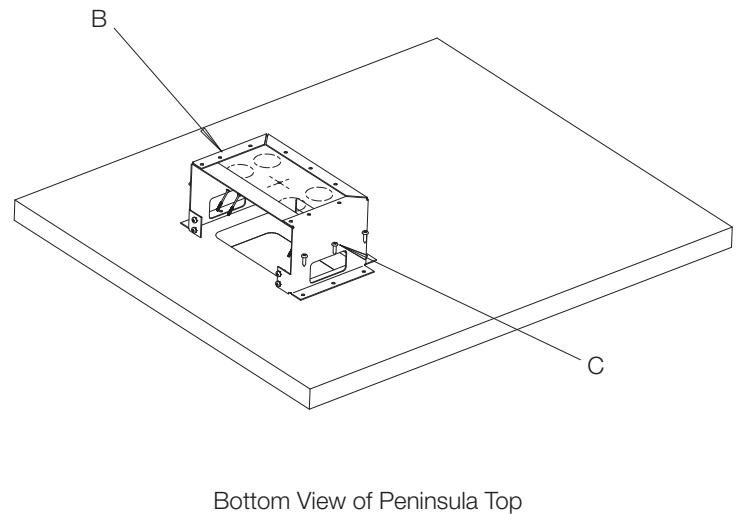


Fig 2



# Peninsula Power Center Electrical Outlet & Stand-off

Reference Number: 6tp00505

4. Position the peninsula top on the mounting surface centred over marked centre-point and again fasten using fastener (C) 7 places. (Fig. 3)
5. Fasten the ashley electrical outlet (E), to the mounting surface, on the back of the stand-off (B) using fastener (D) 4 places. (Fig. 3)
6. Insert grommet (F) into the rectangular opening of the peninsula top. (Fig. 4)

For more details refer to Reff Profiles Power & Communications Desktop Outlets Instructions on Knoll Exchange.

Fig 3

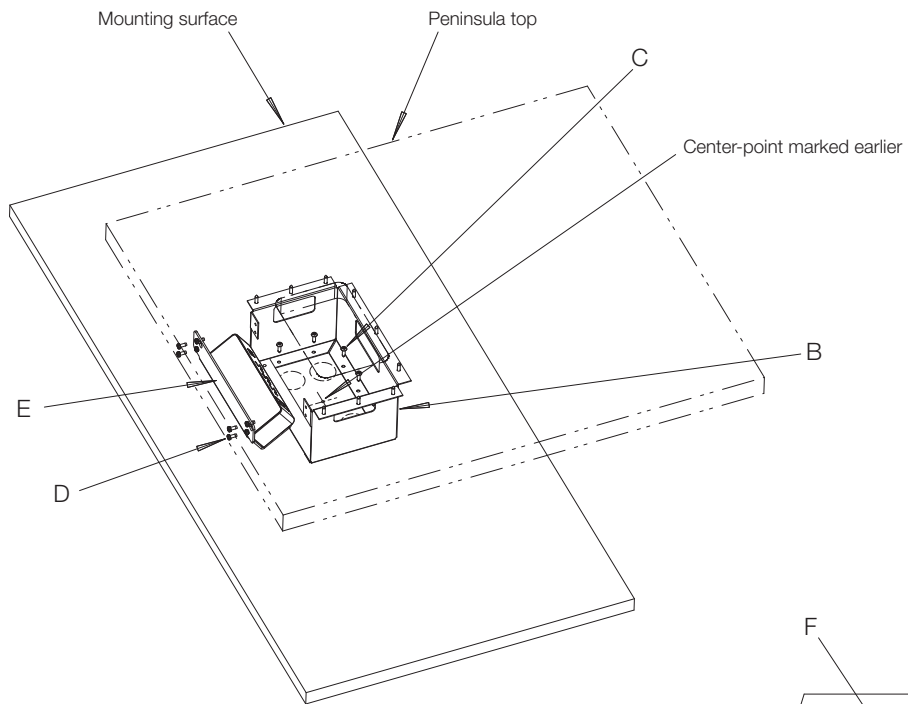


Fig 4

