



Classic Height Adjustable Peninsula

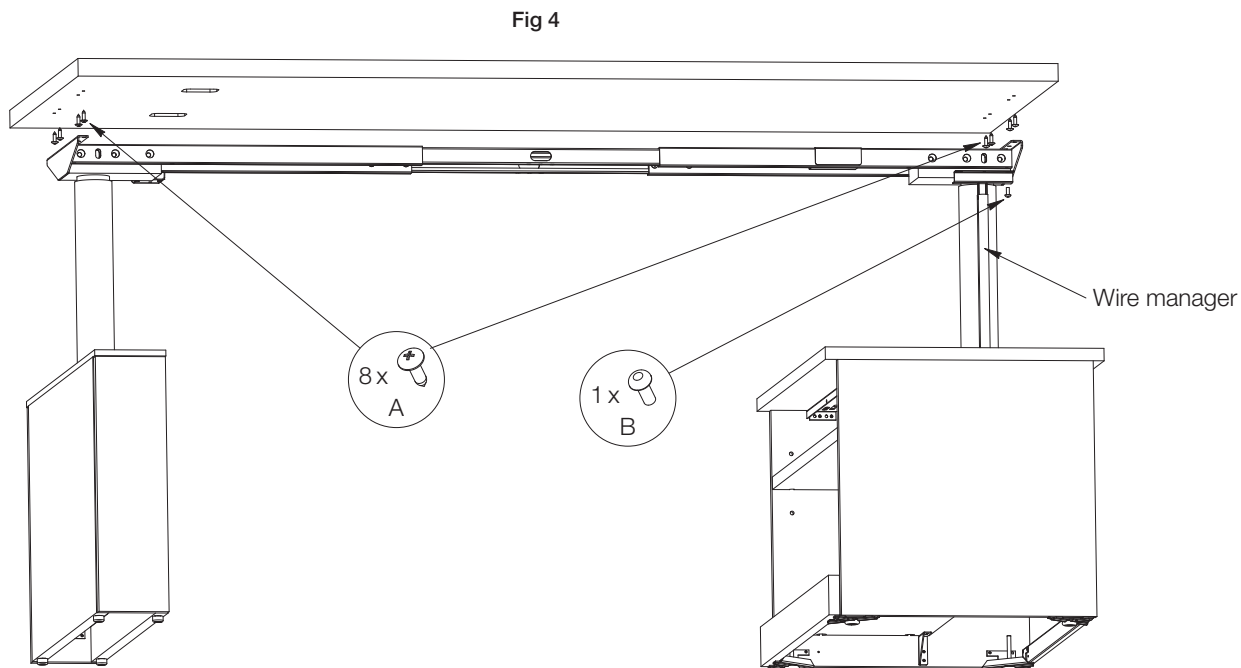
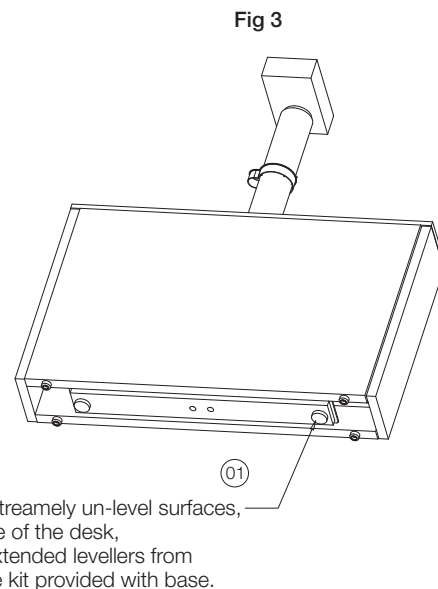
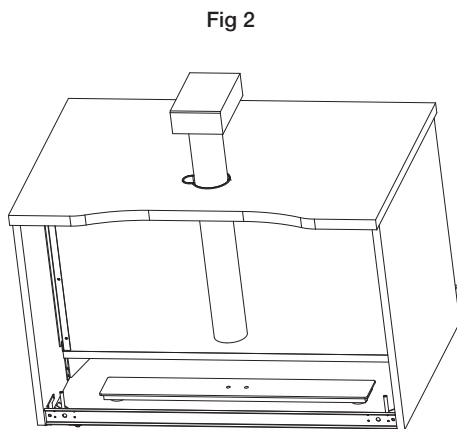
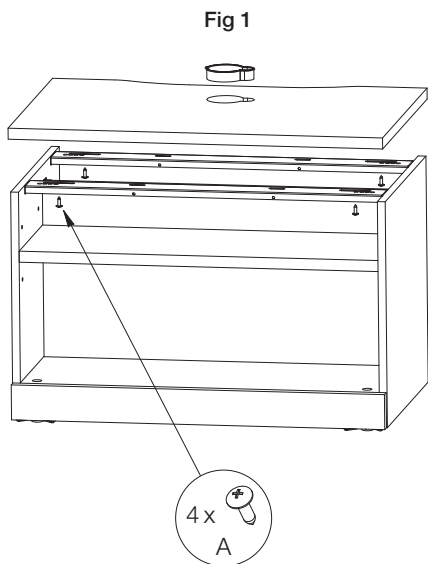
Reference Number: 6TP00500

HARDWARE LIST	
(A)	(B)
	
P/N: 5122218 SCR, TRP 14x7/8 T-AB BL (BACK PACK)	P/N: 5110011 SCR, THP 1/4-20x5/8

Tools Needed



- Drill gun
- #2 - Phillips driver bit
- Tape measure

1. Attach the top and the grommet, using screws (A). (Fig 1)
2. Slide in and secure the left leg. (Fig 2)
3. Slide in and secure the right leg. (Fig 3)
Note: See sheet #2 for Leg Surround Instructions.
4. Attach the worksurface using screws (A), and connect the wire manager using screw (B). (Fig 4)



Classic Height Adjustable Peninsula

Reference Number: 6TP00500

HARDWARE LIST		
(C)		(D)
P/N : 5112035 SCR, SM PNR 8x3/8 T-A ZN	P/N : 5122213 SCR, SHOULDER, #10-9 X 11/16	(E)
		
		P/N : 6TP41977 BRKT, TOP \ CONCEALER \ LEG

Tools Needed

- Drill gun
- #2 - Phillips driver bit
- Tape measure

Leg Surround Instructions

(Fig 5)

1. Insert the shoulder screws (D) and slide the back in place.
2. Attach the brackets (E) to the top, using screws (C).
3. Snap the top in place.
4. Insert the grommet.

Fig 5

