



Knoll Systems
Installation Instructions

TABLE UNDERMOUNT OUTLET

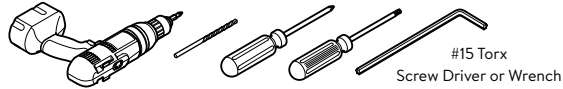
202

- Corded -

Instruction Number: 6TP00515, 2MA2953

This device complies with part 15A of the FCC Rules. Operation is subject to the following two conditions: (1) This device may not cause harmful interference, and (2) this device must accept any interference received, including interference that may cause undesired operation.

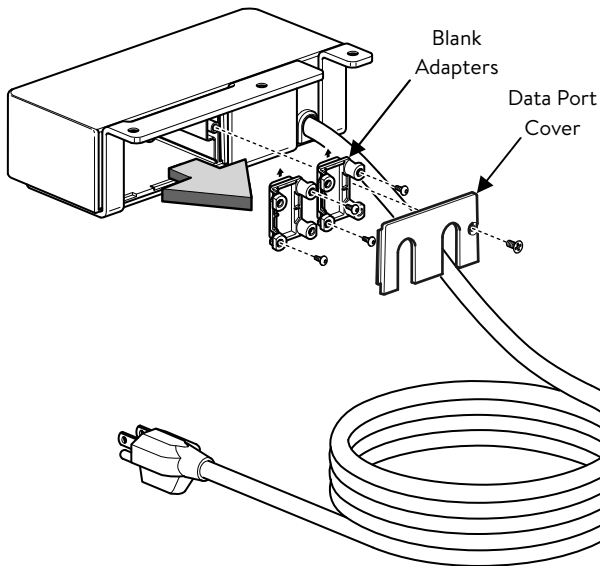
Tools Required



NOTE

All Tech Adapters Need to be Mounted in the
⬆ "UP" ⬆ Position. (Refer to the back of Parts)

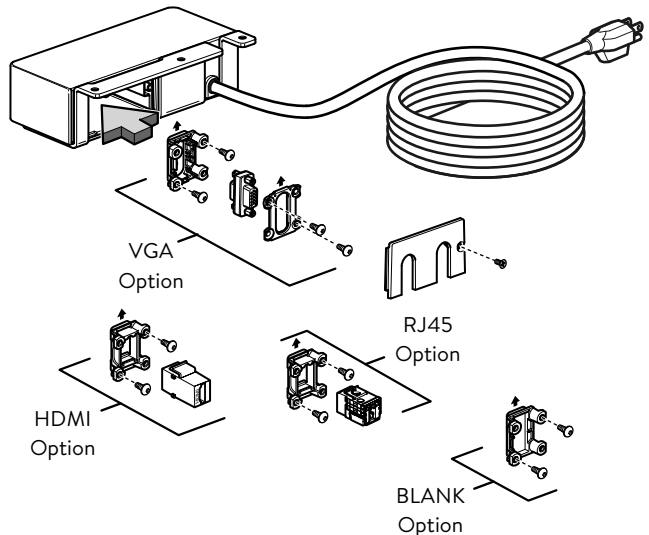
1 Remove Data Port Cover and Blank Adapters



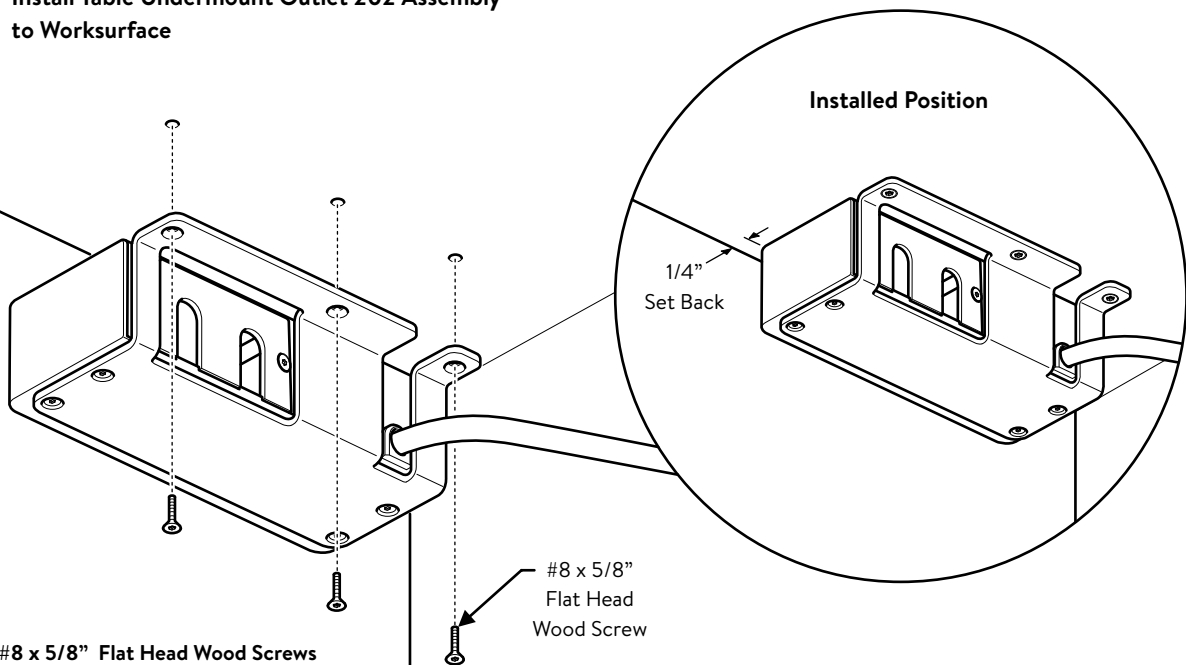
2 Install Data Port Options - (VGA, RJ45, HDMI, BLANK)

NOTE

See Sheet #2 for Detailed Instructions



3 Install Table Undermount Outlet 202 Assembly to Worksurface



Note*

Use (3) #8 x 5/8" Flat Head Wood Screws



Knoll Systems
Installation Instructions

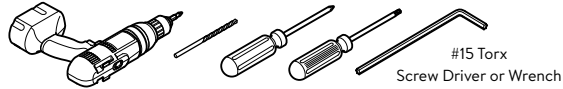
TABLE UNDERMOUNT OUTLET

202
- Corded -

Instruction Number: 6TP00515, 2MA2953

This device complies with part 15A of the FCC Rules. Operation is subject to the following two conditions: (1) This device may not cause harmful interference, and (2) this device must accept any interference received, including interference that may cause undesired operation.

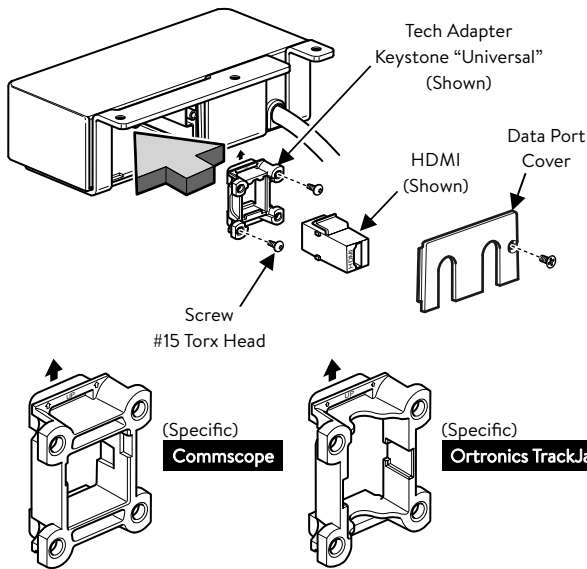
Tools Required



NOTE

All Tech Adapters Need to be Mounted in the
⬆ "UP" ⬆ Position. (Refer to the back of Parts)

2.1 Install Data Tech Adapter Option

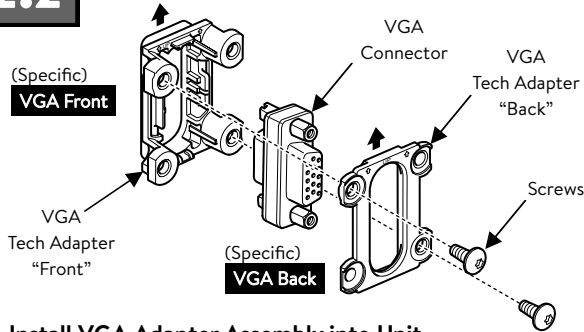


(Universal)

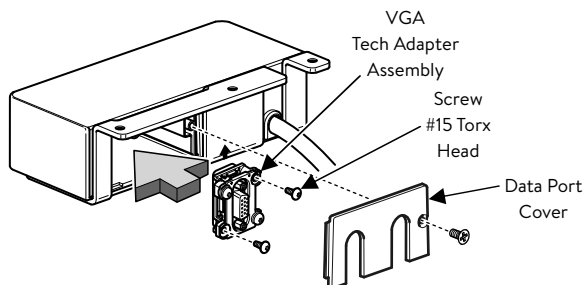
KEYSTONE

HDMI	Optical Cable Corp 5e
Tripp-Lite	Optical Cable Corp 6
Allen-Tel	Ortronics
AMP TE-Krone	Panduit NetKey
Belden KeyConnect	Hubbell Premise
Leviton Quick Port	Type F Coax
Leviton Quick Port Extreme	ETC. (ET. AL.)

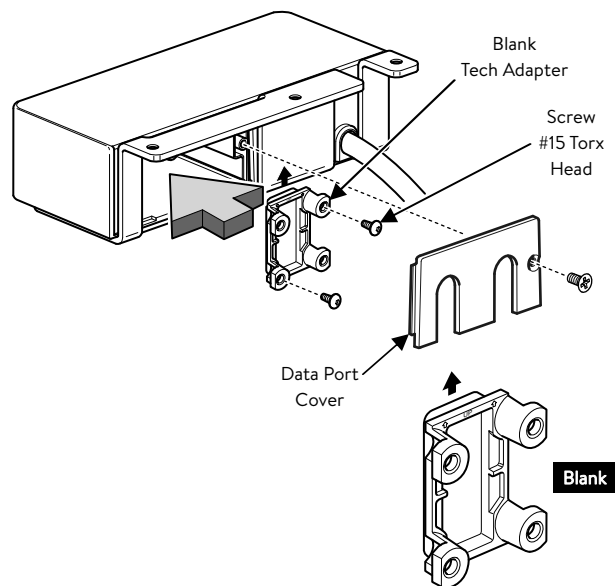
2.2 A Install VGA Connector to VGA Tech Adapters



B Install VGA Adapter Assembly into Unit



2.3 Install Blank Tech Adapter Option





Knoll Systems
Installation Instructions

TABLE UNDERMOUNT OUTLET

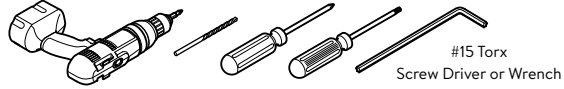
202

- Corded -

Instruction Number: 6TP00515, 2MA2953

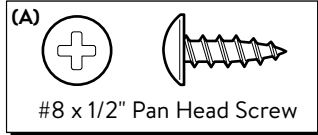
This device complies with part 15A of the FCC Rules. Operation is subject to the following two conditions: (1) This device may not cause harmful interference, and (2) this device must accept any interference received, including interference that may cause undesired operation.

Tools Required



Screwdriver needed for optional power cord mounting clamps.

4 Route Power Cord Option to Nearest Power Distribution Source



#8 x 1/2" Pan Head Screw

