



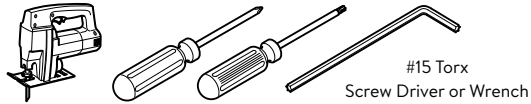
Knoll Systems
Installation Instructions

TABLE DROP-IN OUTLET

311
- Corded -
Instruction Number: 6TP00509

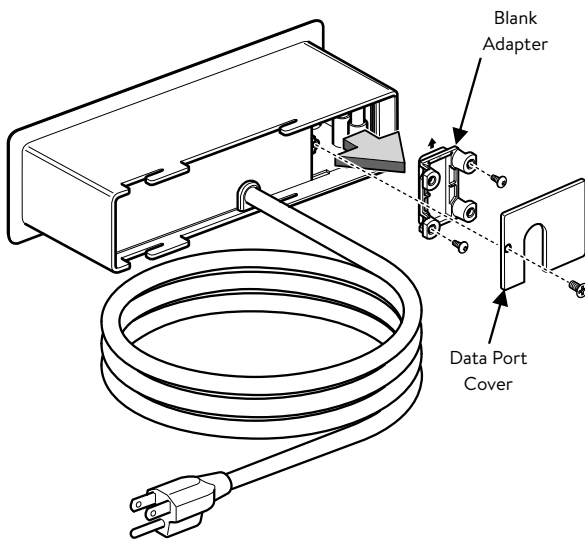
This device complies with part 15A of the FCC Rules. Operation is subject to the following two conditions: (1) This device may not cause harmful interference, and (2) this device must accept any interference received, including interference that may cause undesired operation.

Tools Required



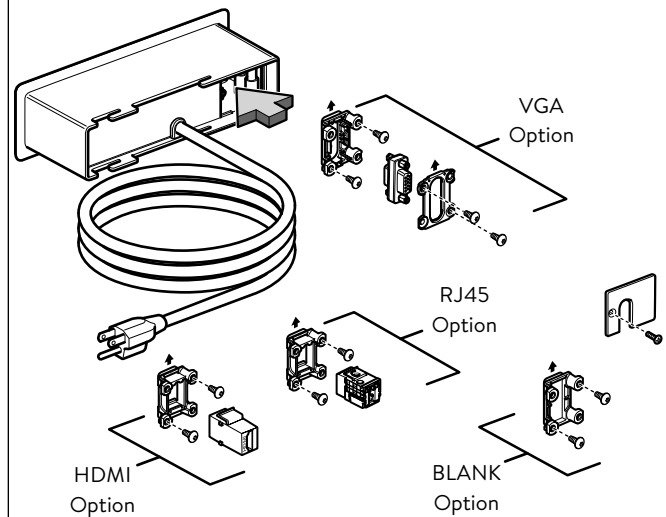
NOTE
All Tech Adapters Need to be Mounted in the
⬆ "UP" ⬆ Position. (Refer to the back of Parts)

1 Remove Data Port Cover and Blank Adapter



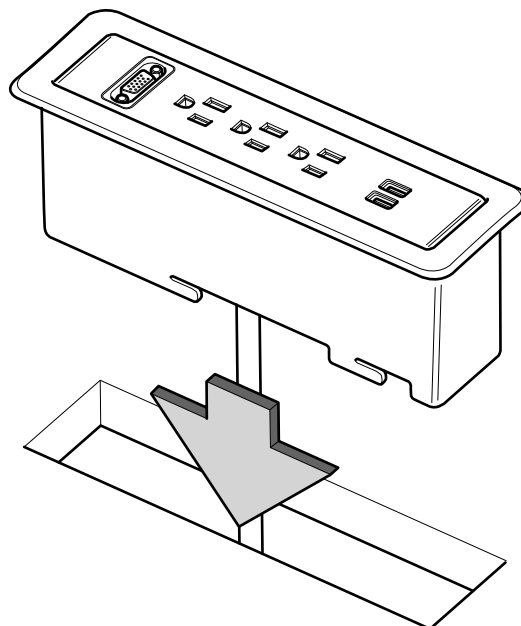
2 Install Data Port Option (VGA, RJ45, HDMI, BLANK)

NOTE
See Sheet #2 for Detailed Instructions



3 Install Table Drop-in Outlet 311 Assembly into Cutout

Horizontal
Surface
Orientation



Knoll

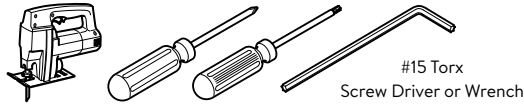
Knoll Systems
Installation Instructions

TABLE DROP-IN OUTLET

311
- Corded -
Instruction Number: 6TP00509

This device complies with part 15A of the FCC Rules. Operation is subject to the following two conditions: (1) This device may not cause harmful interference, and (2) this device must accept any interference received, including interference that may cause undesired operation.

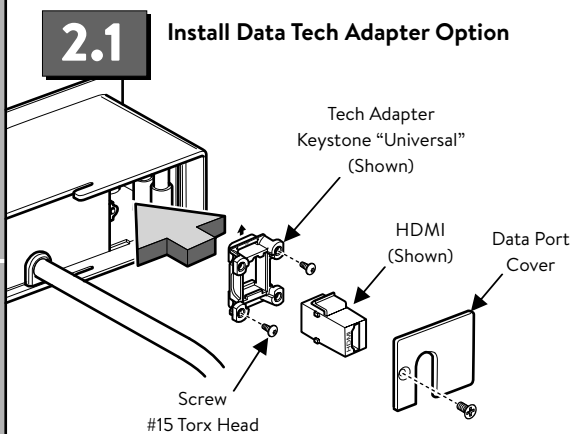
Tools Required



NOTE

All Tech Adapters Need to be Mounted in the
↑ "UP" ↑ Position. (Refer to the back of Parts)

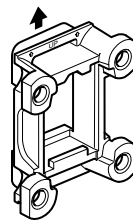
2.1 Install Data Tech Adapter Option



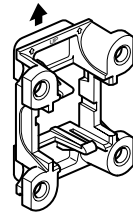
(Universal)

KEYSTONE

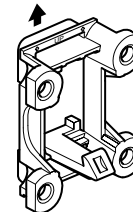
HDMI	Optical Cable Corp 5e
Tripp-Lite	Optical Cable Corp 6
Allen-Tel	Ortronics
AMP TE-Krone	Panduit NetKey
Belden KeyConnect	Hubbell Premise
Leviton Quick Port	Type F Coax
Leviton Quick Port Extreme	ETC. (ET. AL.)



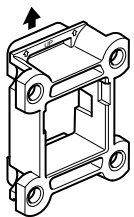
(Specific)
Belden EZ MDVO



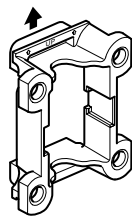
(Specific)
Panduit Mini-COM



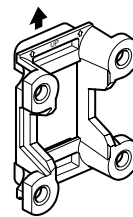
(Specific)
Commscope



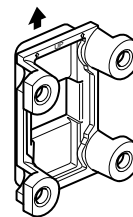
(Specific)
Ortronics TrackJack



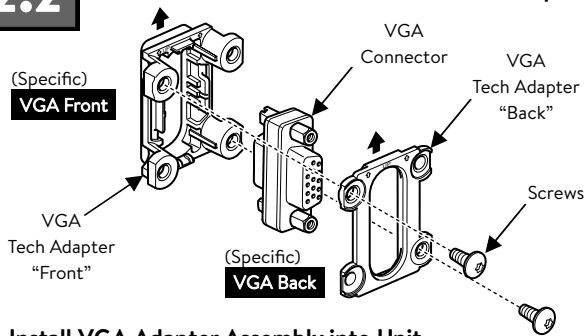
(Specific)
Siemon



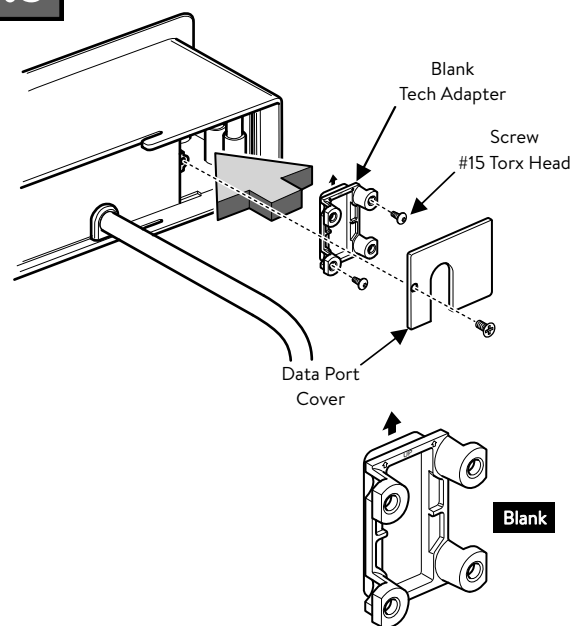
(Specific)
Cable Retainer



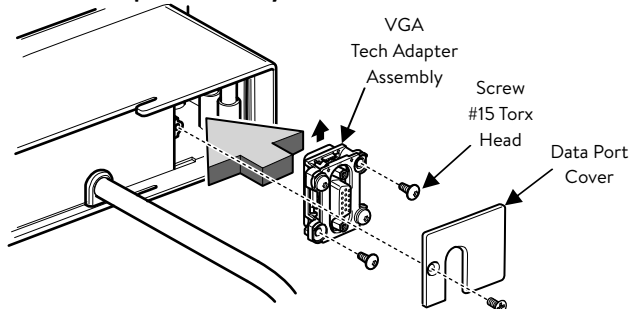
2.2 A Install VGA Connector to VGA Tech Adapters



2.3 Install Blank Tech Adapter Option



B Install VGA Adapter Assembly into Unit



Knoll

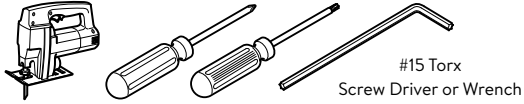
Knoll Systems
Installation Instructions

TABLE DROP-IN OUTLET

311
- Corded -
Instruction Number: 6TP00509

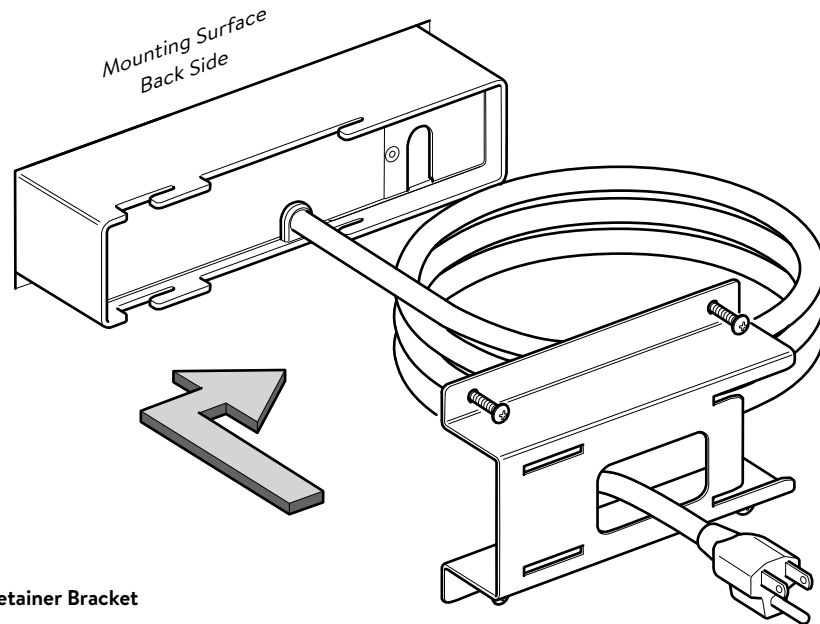
This device complies with part 15A of the FCC Rules. Operation is subject to the following two conditions: (1) This device may not cause harmful interference, and (2) this device must accept any interference received, including interference that may cause undesired operation.

Tools Required



4 Install Retainer Bracket

* Align Tabs on Bezel with Slots on Retainer Bracket and Slide Over and into Engaged Position *



* NOTE *
Route Power Cord Through Hole in Retainer Bracket

5 Route Power Cord Option to Nearest Power Distribution Source

* Tighten (4) Screws to Secure Unit to Worksurface *

