

Series 2 Credenza

Laminate Top Installation

This step must be completed before counterweights kit is installed. If kit has already been installed into the unit, all counterweight plates must be removed before positioning the unit on its top.

Hardware



Part No. 4A21402H01

Laminate Top Screw (4)

1/4-14 x 7/8" tapping screw, black

Fig. 1

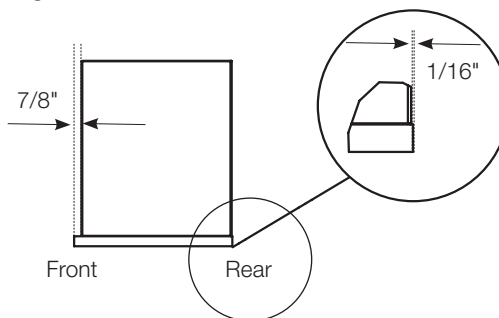
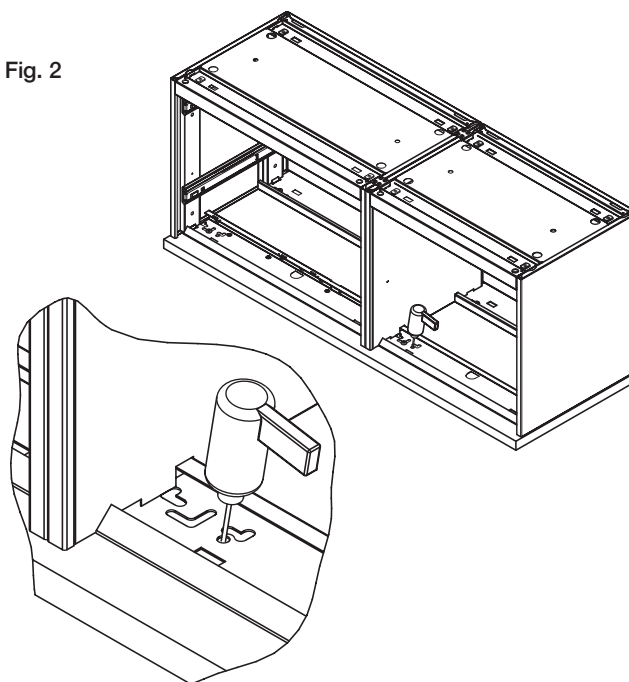


Fig. 2



1. Begin with unit in upright position. If credenza is comprised of two cases, they must be ganged together prior to top installation.
2. On "Open with Shelf" units, remove shelves, shelf clips and base pan. Set aside.
3. On "Box/File" units, remove drawer bodies from slides by pulling the slides away from the drawer body to release the tab on each side. Fully retract slides back into the case and leave them intact.
4. Lay top face down on a clean, non-abrasive surface.
5. Position unit onto top, centering it left-to-right and leaving a slight overhang (1/16") at the back of the credenza (**Fig. 1**)
6. Drill pilot holes for attachment screws (using 3/16" drill bit). (**Fig. 2**)
7. Install screws (part no. 4A2140H01) making sure top remains aligned on all four sides.
8. Orient unit into upright position.
9. Reinstall drawer bodies and shelves.
10. Place unit into final desired position.
11. Level the unit with the adjustment glides in the base.