

HOW TO SPECIFY DRAPERY

ROCKWELL UNSCRIPTED[®] CREATIVE WALL[®]



KnollTextiles

Use this guide to specify drapery for the Rockwell Unscripted Creative Wall. Knoll offers prefabricated KnollTextiles drapery options.

The vertical and horizontal configuration of your Creative Wall will determine the amount of drapery yardage required. When selecting a drapery, the following items must be considered:

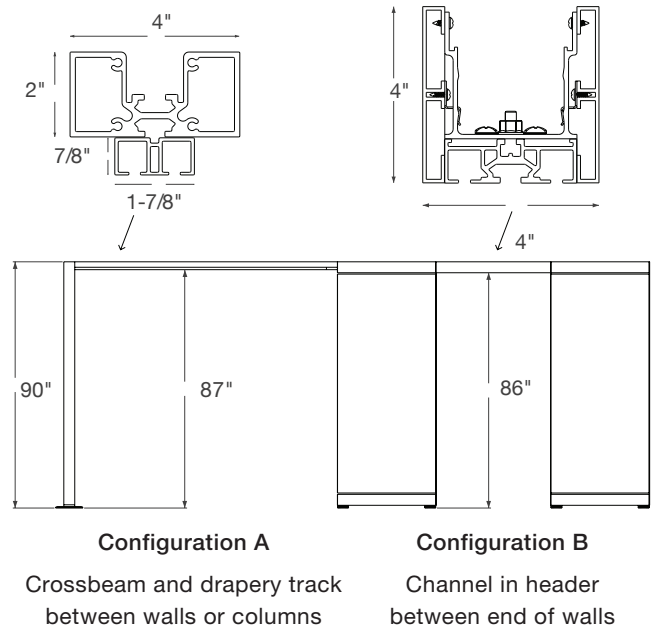
- + What is the fabric width?
- + Does the fabric have a pattern repeat?
- + Can the fabric be railroaded?
- + What is the desired fullness?
- + Are light control and visual &/or acoustic privacy desired?

VERTICAL CONFIGURATION

Draperies featured on the Rockwell Unscripted Creative Wall can hang in either of two ways:

- A** Crossbeam with drapery track (87 1/8" to floor): *As seen in 'Configuration A'*
- B** Channel in the header (86" to the floor): *As seen in 'Configuration B'*

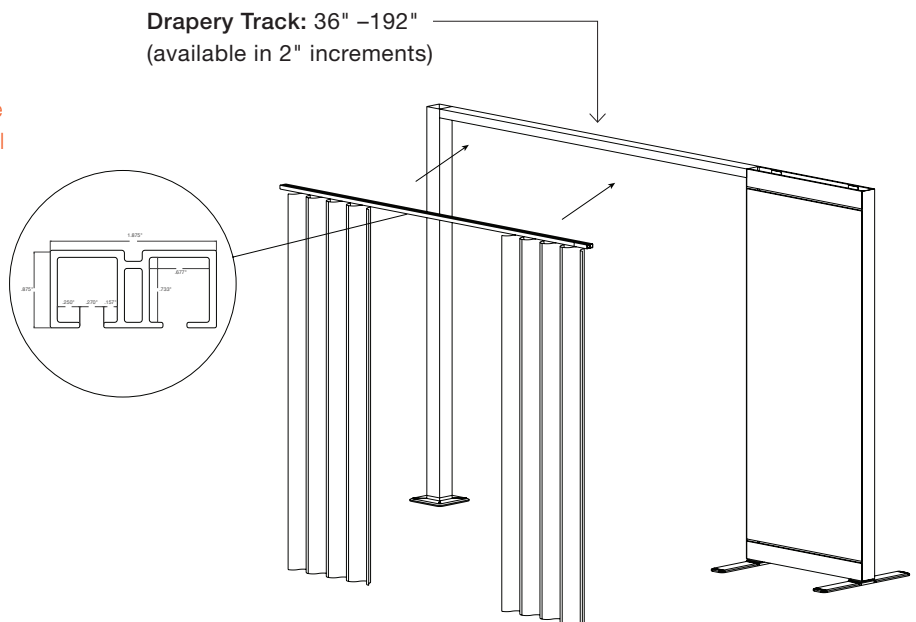
Note: Vertical configuration does not account for changes made with height adjustable feet on Creative Wall.



HORIZONTAL CONFIGURATION

For specification of drapery panels, determine the width of the opening to be covered by each panel i.e. full width of opening to be covered or partial drapery coverage, then refer to SPECIFYING DRAPERY section of this guide for yardage guidelines based on fullness.

Note: Drapery track wider than 96" will be spliced. This does not interfere with the drapery travel.



Drapery Fullness

Fullness refers to the quantity of fabric needed to make the drapery treatment. 0% fullness is the amount of fabric needed to cover the opening, 100% fullness is double that amount.

Drapery featured at Knoll showrooms has been hung at 80% fullness. Knoll recommends 80% or 100% fullness.

Railroad (118")

Turning the 118" wide drapery 90 degrees so the length becomes the width, which allows for a seamless appearance.

Vertical Repeat (VR)

The distance between the starting point of the pattern and the point where that pattern starts over in the vertical direction.

Note: The yardage requirements given were developed specifically with KnollTextiles patterns for the Rockwell Unscripted Creative Wall.

Please contact your local KnollTextiles sales representative or drapery workroom for additional fabrication options.

For information on typical drapery fabrication methods, KnollTextiles offers a Drapery Specification Guide on KnollTextiles.com

*Drapery widths/farication method requires vertical seaming.

80% Fullness COM Yardage Estimate; 86 1/2" Length; One Way Draw; Based on QTY of (1) Kit per Size

Opening Size	118" Vertical Seam No VR*	118" Railroaded	54"-66" No VR*	54"-66" VR*
36"	3.1 yards	2.2 yards	6 yards	6.6 yards
48"	3.1 yards	3 yards	6 yards	6.6 yards
60"	3.1 yards	3.5 yards	9 yards	9.9 yards
72"	6.2 yards	4.2 yards	9 yards	9.9 yards
84"	6.2 yards	4.5 yards	9 yards	9.9 yards
96"	6.2 yards	5.4 yards	12 yards	13.2 yards

100% Fullness COM Yardage Estimate; 86 1/2" Length; One Way Draw; Based QTY of (1) Kit per Size

Opening Size	118" Vertical Seam No VR*	118" Railroaded	54"-66" No VR*	54"-66" VR*
36"	3.1 yards	2.5 yards	6 yards	6.6 yards
48"	3.1 yards	3.2 yards	9 yards	9.9 yards
60"	6.2 yards	4 yards	9 yards	9.9 yards
72"	6.2 yards	4.7 yards	9 yards	9.9 yards
84"	6.2 yards	5.5 yards	12 yards	13.2 yards
96"	6.2 yards	6 yards	12 yards	13.2 yards

Different yardage estimates are required for orders of 10+ panels. Please contact your local KnollTextiles sales representative for information

DRAPERY HARDWARE

The hardware provided for the Rockwell Unscripted Creative Wall is the Kirsch Ripplefold Roller, Snaps and Snap Tapes.

RIPPLEFOLD® HEADER SPECIFICATIONS

- The tape shall be 7/8 in. wide with nickel-plated snaps spaced every 4 in. and shall be sewn at the top and bottom to a double turned 7/8 in. top hem. The Ripplefold® header tape will be hemmed on one-side only, making it easy to identify front and back of the finished drapery panel. The tape, with a shrinkage of less than 3%, may be washed or dry cleaned.
- Fabrication shall be in accordance with the fabrication charts published by the Kirsch Company and in conjunction with the following specifics: drapery fullness shall be 80% or 100%.
- Side hems shall be double turned (3 layers of fabric) 1½ in. wide. Side hems shall be blind-stitched, so that stitches are not visible on the face of the fabric. All vertical seaming shall be sewn with a twin-needle serging machine with selvage trimmed and overlocked. Where patterned fabrics are used, widths shall be joined so that all patterns match perfectly. All vertical seams shall lie flat and straight without puckering.
- Both 1 in. square lead weights and string weights shall be securely sewn at each seam and at the corners.

ORDERING PROCESS AND PART NUMBERS

- 1 Order cut yardage from KnollTextiles based on yardage estimate.
- 2 Order Fabrication kit. Part numbers are found below and follow the logic: KT-UD-FK-(Height-Width-Fullness)

Note: Refer to page 1. vertical & horizontal configuration guides to assure correct measurements.

- 3 Order baton if desired. Clear Plexiglas baton mounts between the first and second snap on either side of the finished drapery.

Purchase orders for cut yardage and fabrication kit should be submitted to KnollTextiles:

Phone: 866.565.5858
 Email: Textiles_orders@knoll.com
 Fax: 866.565.5868

Shipping cost estimates based on yardage can be obtained from KnollTextiles customer service. There is a 24-hour cancellation period from the time of PO confirmation from KnollTextiles.

Configuration A 87 1/8" to floor

	width	fullness	net price
KT-UD-FK-87	36"	80%	\$200
	48"	80%	\$270
	60"	80%	\$335
	72"	80%	\$350
	84"	80%	\$475
	96"	80%	\$550

KT-UD-FK-87	36"	100%	\$220
	48"	100%	\$285
	60"	100%	\$355
	72"	100%	\$425
	84"	100%	\$560
	96"	100%	\$630

KT-UD-B Baton w. slide			\$22
---------------------------	--	--	------

Configuration B 86" to floor

	width	fullness	net price
KT-UD-FK-86	36"	80%	\$200
	48"	80%	\$270
	60"	80%	\$335
	72"	80%	\$350
	84"	80%	\$475
	96"	80%	\$550

KT-UD-FK-86	36"	100%	\$220
	48"	100%	\$285
	60"	100%	\$355
	72"	100%	\$425
	84"	100%	\$560
	96"	100%	\$630

KT-UD-B Baton w. slide			\$22
---------------------------	--	--	------

Drapery panels are shipped folded, please install and steam promptly.
 KnollTextiles will not provide field measurements or installation of the drapery kits.