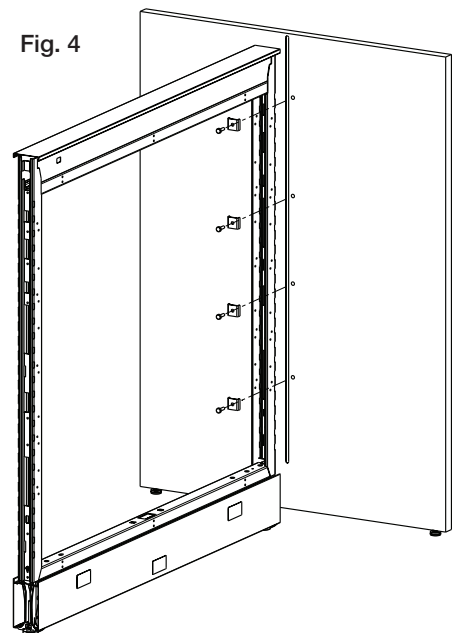
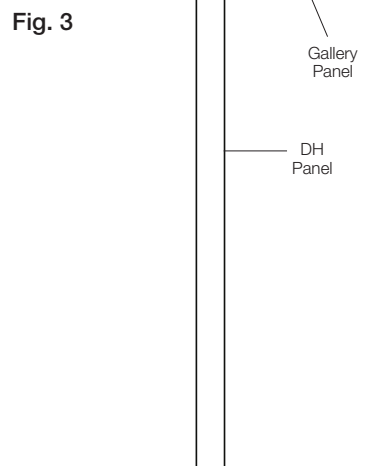
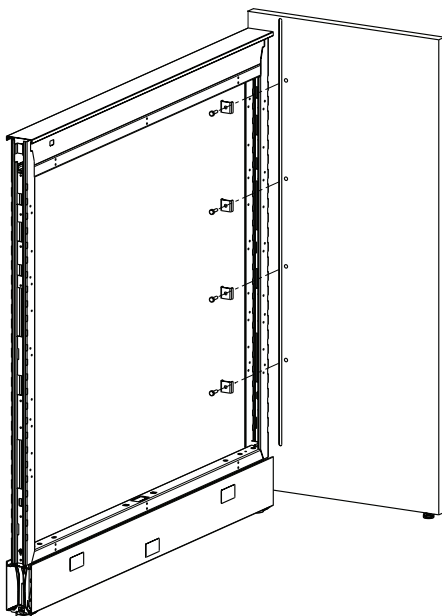
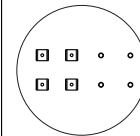
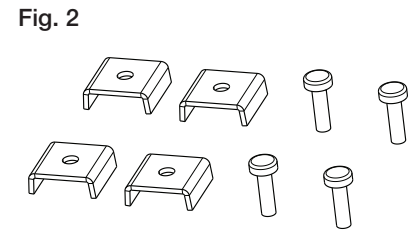
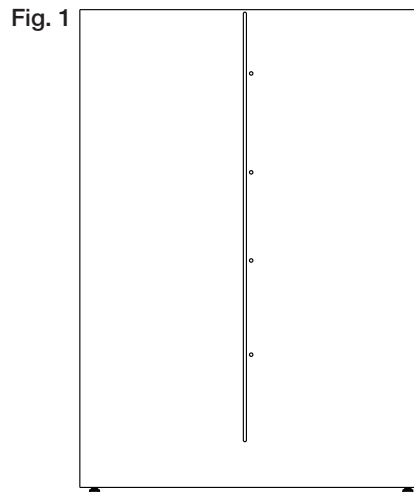


Gallery Panel: Dividends Horizon® Covered L and Covered T

Tools Required:

- Drill/Driver (**Do NOT USE** Impact Driver)
- #3 Phillips driver bits

1. Lay Gallery Panel on a clean, soft and dry surface (**Fig. 1**)
2. Locate connecting brackets and hardware (**Fig. 2**)
3. Move Gallery Panel into position perpendicular to the DH panel (**Fig. 3**)
4. Loosely install connecting brackets with $\frac{1}{4}$ x 20 #3 Phillips fasteners into the threaded inserts of the Gallery Panel (**Fig. 4**)
5. Level the Gallery Panel so that the top of the Gallery Panel is approximately $\frac{3}{16}$ " taller than the adjacent DH panel. (**Fig. 5 and 5a**)
6. Tighten all fasteners securely



DISASSEMBLY FOR RECYCLING

Materials Identification and Segregation:

Where possible plastic components are marked with ASTM recycling codes. Use these codes to identify material type for recycling. Non-marked components should be treated as mixed plastic. Ferrous metals can be identified using a small magnet for recycling. Non-ferrous metals should be separated and recycled separately.

To disassemble product, reverse the above installation steps.

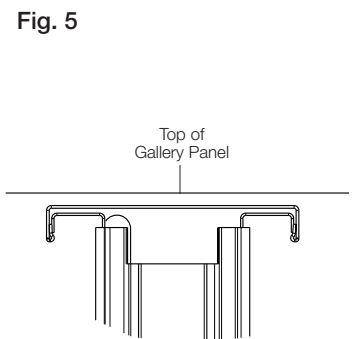
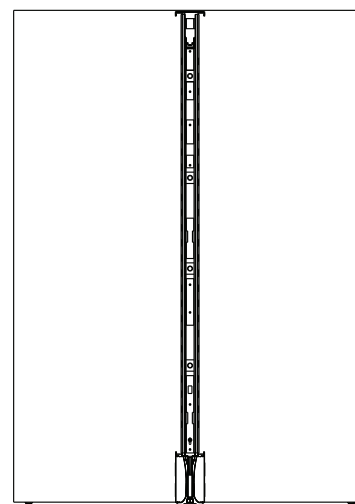


Fig. 5a