

Y-Leg Folding Tables

Casters only

Related tables:
KYDW9648C

Unboxing

You should have received two boxes per table.

Box 1 includes:

Leg assembly, plus hardware in a red plastic bag, and installation instructions.

Box 2 includes:

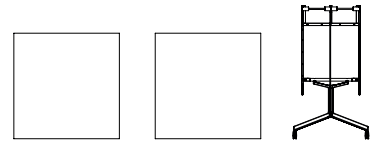
Table tops

Parts list

2 Table tops
1 Leg assembly

Tools needed

Allen wrench



Hardware

10 1/4" - 20 x 1.5" socket head cap screws
14 1/4" - 20 x 2" socket head cap screws

Step 1.

Line up the two inverted tops next to each other on the floor.

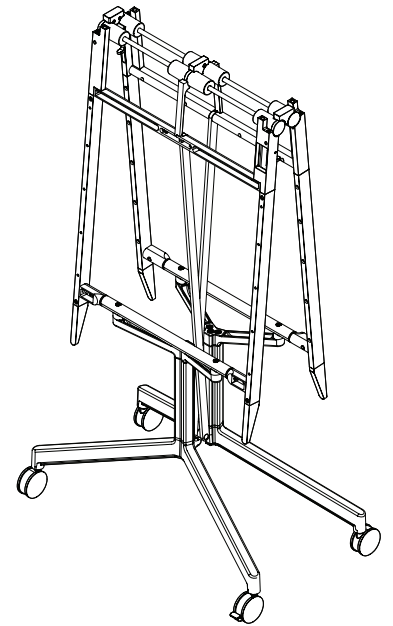
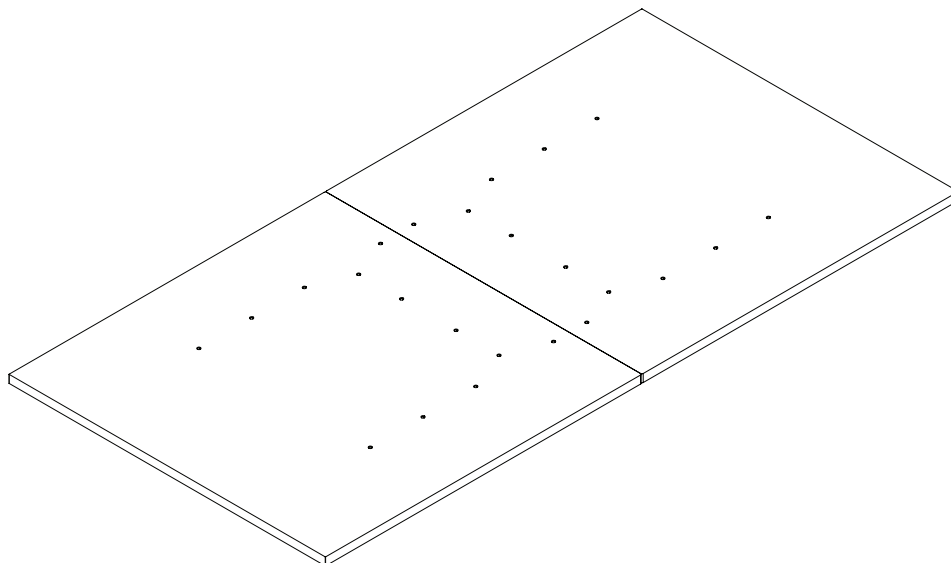


Fig. 1

Y-Leg Folding Tables

Step 2.

Place the inverted base assembly on the underside of the table tops.

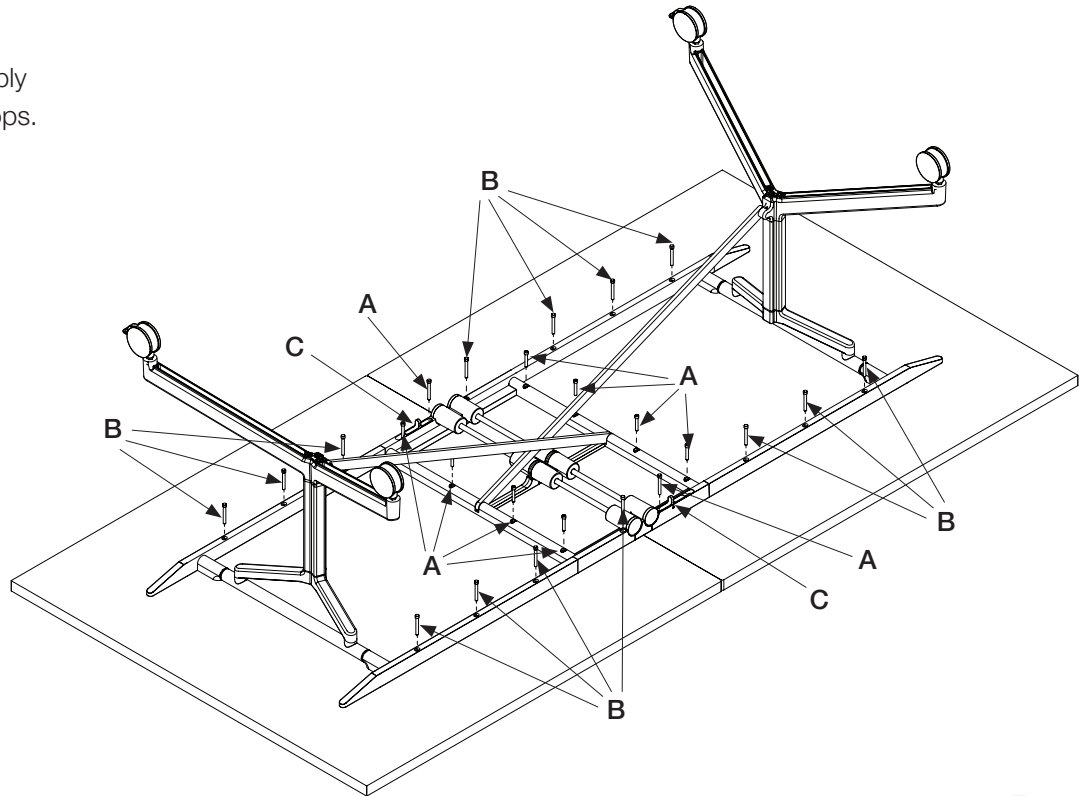


Fig. 2

Step 3.

Align and attach the base with the threaded inserts in the top.

Use 1/4" - 20 x 1.5" socket head cap screws (A), 10 per base. Please note that 2 of these screws are covered by the sliding lock.

Use 1/4" - 20 x 2" LG socket head cap screws (B), 14 per base.

Ensure locking mechanisms are functioning by sliding red lock handles (C) to the left and right.