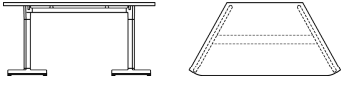
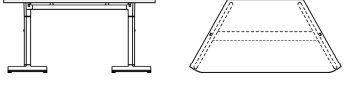



Marc Krusin  
Pixel™ Trapezoid Table Series  
T-Leg Tables, Fixed Top

	description	w	d	h	leg type
<i>Designer(s):</i> Marc Krusin, 2015	<b>KZTXW</b> Work Height, Fixed Top	48"	24"	28 3/4"	T-Leg
		60"	24"	28 3/4"	T-Leg
		60"	30"	28 3/4"	T-Leg
<i>Award(s):</i> Best of Neocon Gold Award, 2015	<b>KZTXA</b> Pin Set Height Adjustable, Fixed Top	48"	24"	28 3/4 - 34"	T-Leg
		60"	24"	28 3/4 - 34"	T-Leg
		60"	30"	28 3/4 - 34"	T-Leg
	<b>KGANG</b> Pixel ganging mechanism				
					



pattern no.	laminate/flat edge	laminate/molded edge
<b>KZTXW4824-(-)(-)(-)(-)</b>	\$1,732.	\$1,858.
<b>KZTXW6024-(-)(-)(-)(-)</b>	1,809.	1,950.
<b>KZTXW6030-(-)(-)(-)(-)</b>	1,900.	2,055.
<b>KZTXA4824-(-)(-)(-)(-)</b>	1,926.	2,052.
<b>KZTXA6024-(-)(-)(-)(-)</b>	2,003.	2,147.
<b>KZTXA6030-(-)(-)(-)(-)</b>	2,095.	2,251.
<b>KGANG</b>	25.	n/a


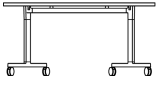
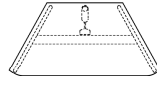

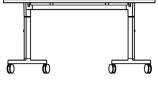
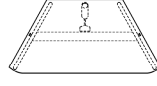

Order Code	Finishes
<i>Example:</i> <b>KZTXW6024-C-114-004T-Y-115T</b>	<i>Colored laminate finishes:</i> Bright White, matte (suffix 118) Folkstone, matte (suffix 114) Black, matte (suffix 111)
<b>KZTXW-6024</b> 60" x 24" Work Height, Fixed Top	<i>Woodgrain laminate finishes:</i> Medium Cherry (suffix 124) Natural Maple (suffix 125) Natural Cherry (suffix 126) Walnut (suffix 127) Light Ash (suffix 139) Warm Ash (suffix 140) Whitened Ash (suffix 141) Grey Ash (suffix 142) Classic Oak (suffix 143) Graphite Pear (suffix 144) Zebra (suffix 145)
<b>C</b> Locking casters	<i>Molded edgeband finishes:</i> Black (suffix 300) Mink (suffix 324) Innertone (suffix 386) Platinum (suffix 367) Folkstone (suffix 004)
<b>114</b> Folkstone laminate	<i>Flat edgeband finishes:</i> Black (suffix 111T) Mink (suffix 324T) Innertone (suffix 386T) Platinum (suffix 367T) Folkstone (suffix 004T) White (suffix 118T)
<b>004T</b> Folkstone flat edgeband	<i>Woodgrain flat edgeband finishes:</i> Medium Cherry (suffix 124) Natural Maple (suffix 125) Natural Cherry (suffix 126) Walnut (suffix 127) Light Ash (suffix 139) Warm Ash (suffix 140) Whitened Ash (suffix 141) Grey Ash (suffix 142) Classic Oak (suffix 143) Graphite Pear (suffix 144) Zebra (suffix 145)
<b>Y</b> No grommet	<i>Leg finishes:</i> Jet Black (suffix 111T) Bright White (suffix 118T)* Medium Grey (suffix 115T) Sterling (suffix 906T)
<b>115T</b> Medium Grey legs	<i>Glides/Casters:</i> Glides (suffix G) Casters (suffix C)
<i>Specify:</i> 1. Pattern number 2. Locking casters or glide selection 3. Top finish selection 4. Edgeband selection 5. Cutout option 6. Leg finish	<i>Note:</i> Glides are not available on flip top tables.  *For tables with bright white legs, the face of the casters are white and the edge is black. For all other leg finishes, casters are all black.

Electrical	Construction	Features
<i>Cutout Options: (\$30 list per cutout)</i> Tables may be specified with no cutouts (code Y). For single or double cutout codes, please choose your electrical module(s) then refer to the cutout matrix on page 140 for the proper cutout code. <b>Only the grommet option and KE3 electrical module is available on the trapezoid tables.</b>	<i>Laminate tops:</i> Constructed of particle board substrates sandwiched between laminate top and phenolic backer sheet bottom. Laminate tops can be specified with a flat ABS or molded urethane edge.  <i>Legs:</i> Legs are constructed using a combination of cast and extruded aluminum. Base and upper mounting plates are cast aluminum and bolted to an extruded aluminum vertical stem. Finished in a highly durable textured powder coat paint.	<i>Ganging tables:</i> Each table is fitted with a Pixel connector on the underside of each corner. To join the tables, align the mechanisms and slide the lever along the curved path to engage.  The Pixel Trapezoid Table Series are designed to gang and integrate with rectangular tables with the same depth from the Pixel Table Series.  <i>Maintenance:</i> See pages 13.
<i>Note:</i> Grommet cover must be ordered separately if specifying a grommet cutout. Please refer to pg. 174-175.		

# Marc Krusin

## Pixel™ Trapezoid Table Series

### T-Leg Tables, Flip Top

	description	w	d	h	leg type
<i>Designer(s):</i> Marc Krusin, 2015  <i>Award(s):</i> Best of Neon Gold Award, 2015  	<b>KZTPW</b> Work Height, Flip Top, Casters  	48"	24"	28 3/4"	T-Leg
		60"	24"	28 3/4"	T-Leg
		60"	30"	28 3/4"	T-Leg
	<b>KZTPA</b> Pin Set Height Adjustable, Flip Top, Casters  	48"	24"	28 3/4 - 34"	T-Leg
		60"	24"	28 3/4 - 34"	T-Leg
		60"	30"	28 3/4 - 34"	T-Leg
	<b>KGANG</b> Pixel ganging mechanism 				

pattern no.	laminate/flat edge	laminate/molded edge
<b>KZTPW4824-(C)-( )-( )-( )</b>	\$1,903.	\$2,030.
<b>KZTPW6024-(C)-( )-( )-( )</b>	1,985.	2,129.
<b>KZTPW6030-(C)-( )-( )-( )</b>	2,076.	2,234.
<b>KZTPA4824-(C)-( )-( )-( )</b>	2,042.	2,169.
<b>KZTPA6024-(C)-( )-( )-( )</b>	2,123.	2,267.
<b>KZTPA6030-(C)-( )-( )-( )</b>	2,216.	2,373.
<b>KGANG</b>	25.	n/a

Order Code	Finishes
<i>Example:</i> <b>KZTPW4824-C-114-004T-Y-115T</b>	<i>Colored laminate finishes:</i> Bright White, matte (suffix 118) Folkstone, matte (suffix 114) Black, matte (suffix 111)
<b>KZTPW-4824</b>	<i>Woodgrain laminate finishes:</i> Medium Cherry (suffix 124) Natural Maple (suffix 125) Natural Cherry (suffix 126) Walnut (suffix 127) Light Ash (suffix 139) Warm Ash (suffix 140) Whitened Ash (suffix 141) Grey Ash (suffix 142) Classic Oak (suffix 143) Graphite Pear (suffix 144) Zebra (suffix 145)
<b>C</b>	<i>Molded edgeband finishes:</i> Black (suffix 300) Mink (suffix 324) Innertone (suffix 386) Platinum (suffix 367) Folkstone (suffix 004)
<b>114</b>	<i>Flat edgeband finishes:</i> Black (suffix 111T) Mink (suffix 324T) Innertone (suffix 386T) Platinum (suffix 367T) Folkstone (suffix 004T) White (suffix 118T)
<b>004T</b>	<i>Woodgrain flat edgeband finishes:</i> Medium Cherry (suffix 124) Natural Maple (suffix 125) Natural Cherry (suffix 126) Walnut (suffix 127) Light Ash (suffix 139) Warm Ash (suffix 140) Whitened Ash (suffix 141) Grey Ash (suffix 142) Classic Oak (suffix 143) Graphite Pear (suffix 144) Zebra (suffix 145)
<b>Y</b>	<i>Leg finishes:</i> Jet Black (suffix 111T) Bright White (suffix 118T)* Medium Grey (suffix 115T) Sterling (suffix 906T)
<b>115T</b>	<i>Glides/Casters:</i> Casters (suffix C)
<i>Specify:</i> 1. Pattern number 2. Locking caster or glide selection 3. Top finish selection 4. Edgeband selection 5. Cutout option 6. Leg finish	

Electrical	Construction	Features
<p><i>Cutout Options: (\$30 list per cutout)</i> Tables may be specified with no cutouts (code Y). For single or double cutout codes, please choose your electrical module(s) then refer to the cutout matrix on page 140 for the proper cutout code. <b>Only the grommet option and KE3 electrical module is available on the trapezoid tables.</b></p> <p><i>Note:</i> Grommet cover must be ordered separately if specifying a grommet cutout. Please refer to pg. 174-175.</p>	<p><i>Laminate tops:</i> Constructed of particle board substrates sandwiched between laminate top and phenolic backer sheet bottom. Laminate tops can be specified with a flat ABS or molded urethane edge.</p> <p><i>Legs:</i> Legs are constructed using a combination of cast and extruded aluminum. Base and upper mounting plates are cast aluminum and bolted to an extruded aluminum vertical stem. Finished in a highly durable textured powder coat paint.</p>	<p><i>Ganging tables:</i> Each table is fitted with a Pixel connector on the underside of each corner. To join the tables, align the mechanisms and slide the lever along the curved path to engage.</p> <p>The Pixel Trapezoid Table Series are designed to gang and integrate with rectangular tables with the same depth from the Pixel Table Series.</p> <p><i>Maintenance:</i> See pages 13.</p> <p><i>Caution:</i> When moving flip top tables on casters, only push tables while the top is down in the flat position.</p>