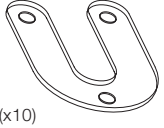
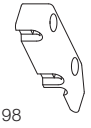
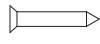
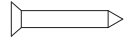


# Wall Hung Credenza Attachment

Reference Number: 6TP00590

HARDWARE LIST			
(A)		(B)	
SHIM KIT 6TR42552 (x10) 6TR42553 (x10)		6TR41198 MULTI-CLIP	
(C)		(D)	
5114120 SCR, SM FLP #8x1 TYP A ZNC		2TP403885 SCR, SM FLP #10x1-1/4 TYP A ZNC	

## Tools Needed

Drill gun

### Modesty & Case Multi-clip Attachment

1. On the modesty, attach 4 multi-clips (B) using the pre-drilling provided) with fastener (C) to the back side of the modesty making sure the tab portion of the clip is pointing down. (Fig. 1)  
Screws should go through the top of the clip, to orientate properly.
2. On the inside gables of each end unit, attach multi-clip (B) in 4 places (using the predrilling provided) with fastener (C) making sure the tab portion of the clip is pointing up. (Fig. 2)  
Screws should go through the side of the clip, to orientate properly.

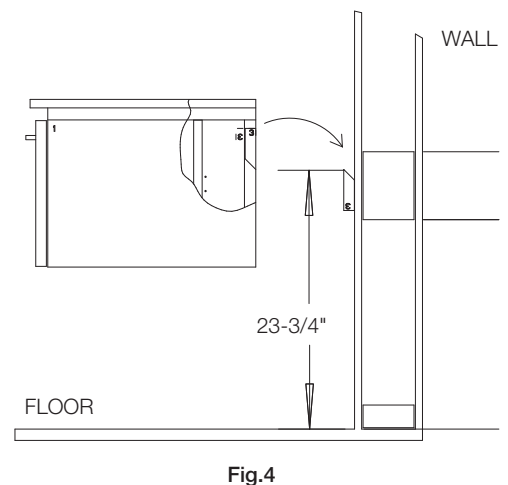
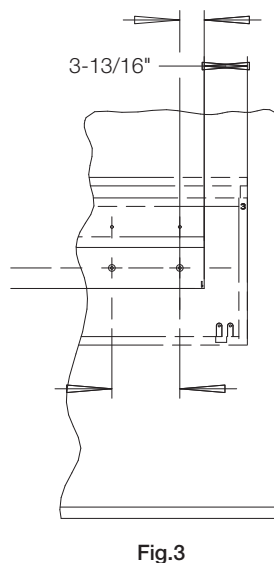
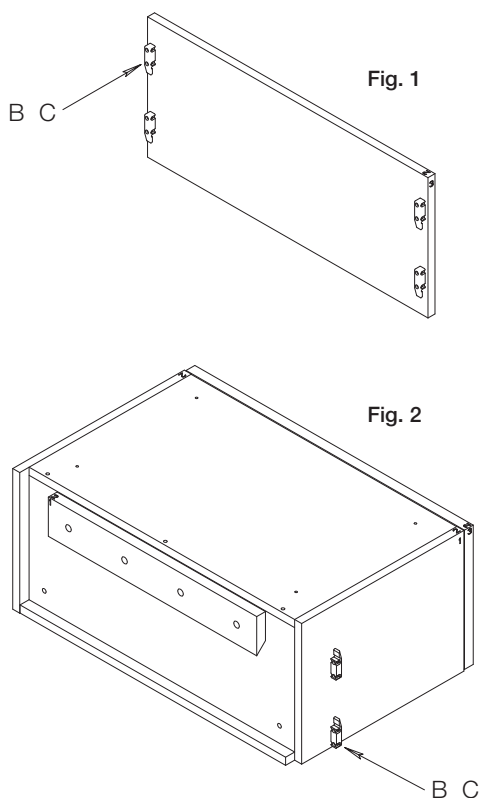
### Wall Cleat Attachment

1. To position the credenza at the appropriate height, the wall cleat needs to be located 23-3/4" off the floor (Fig. 4) and (based on the horizontal position required) the wall rail should be inset approximately 3-13/16" from end of units. (Fig. 3)  
Mark the wall to locate the wall rail location based on these requirements.
2. Begin attaching the wall cleat with one fastener at one end and a second fastener at the other end while levelling.  
Once both ends have been levelled and secured, insert the remaining fasteners to complete the wall rail attachment. (Fig. 4)

**Note: Please refer to the Wall Mounting of Knoll Products in the price list for wall mounting recommendations.**

### Unit Mounting

1. Gently lower the unit into place by aligning the wall cleat previously mounted with the unit rail affixed to the back of the case. (Fig. 2)



# Wall Hung Credenza Attachment

Reference Number: 6TP00590

## Modesty Attachment

1. With the end units now in place on the wall, install the modesty panel in between by use of the multi-clips. A tap may be required to fully engage the multi-clips. (Fig. 5)

## Worksurface Attachment

1. Place the worksurface on top of the now mounted wall-hung credenza. Open the doors to see the 4 counterbored holes on each side of the interior. These are used to attach the worksurface to the credenza assembly. Using the pre-drilling also present in the worksurface secure the surface using screw (D). (Fig.6)
2. If the unit contains a marble section, remove the raw wood that was assembled for shipping purposes. Using the 2-sided tape provided with the marble, secure it place on the worksurface. (Fig. 7)

## Levelling

1. Included with the wall-hung credenza will be a shim kit (A) used to level the unit. Depending on how plum the wall is to the floor this may or may not be required. Using a level, assess whether or not this is necessary. If deemed necessary, use whatever combination of shims is required to level the worksurface of the unit by tucking them in between the back of the unit and the wall just behind the bottom shelf. This step will need to be repeated at both ends inward approximately 2".

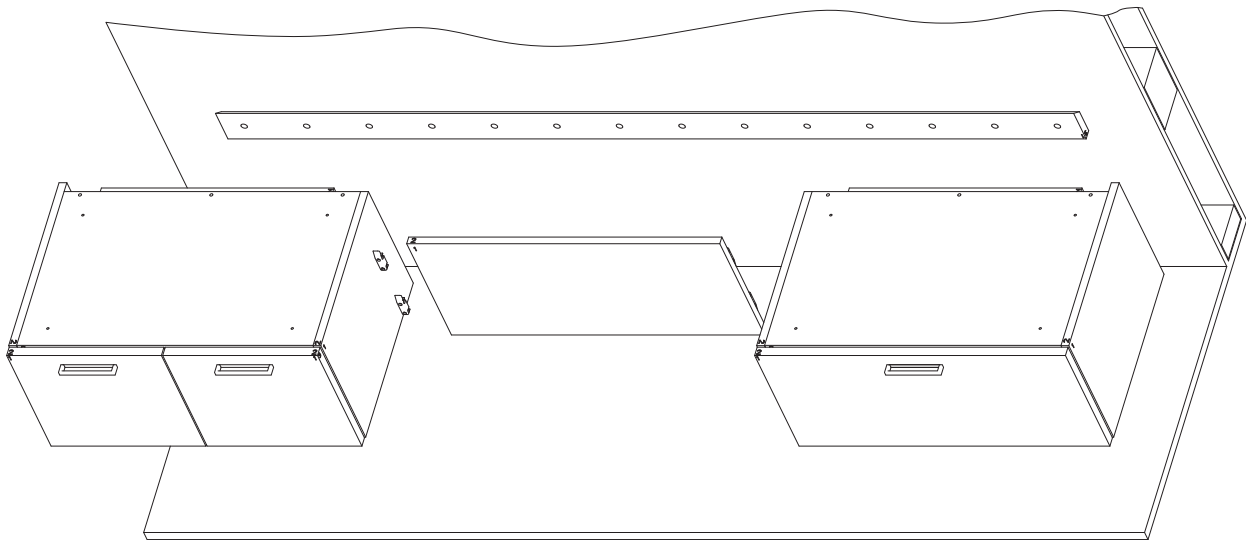


Fig. 5

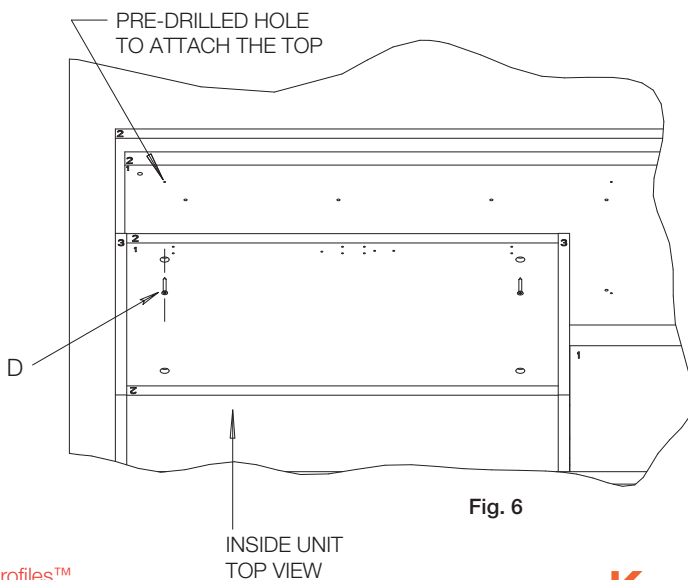


Fig. 6

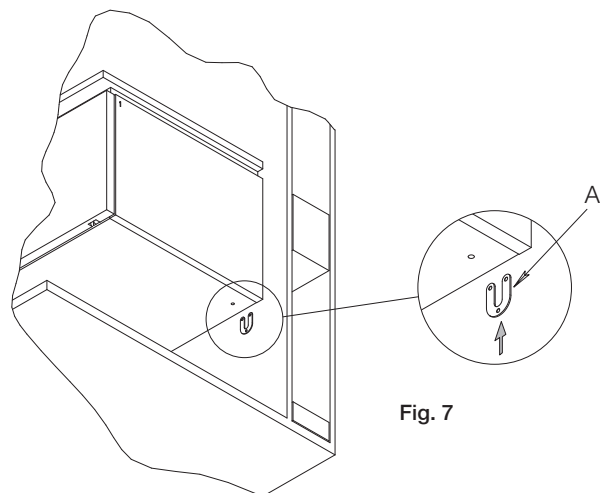


Fig. 7