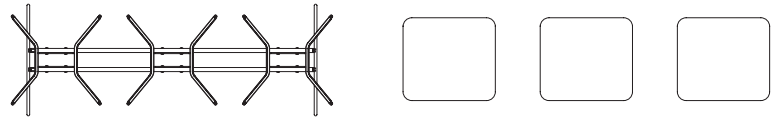


Avio Three-Seat Bench

AVCB3



Unboxing:

You should have received 4 boxes per bench.

Box 1 includes: bench base

Box 2 includes: upholstered seat

Box 3 includes: upholstered seat

Box 4 includes: upholstered seat

Parts list

1 Base frame

3 Seats

Hardware

12 M8 sex bolt (seat to base)

Tools needed

Allen wrenches

Step 1.

Position each seat (A) above the base frame (B).

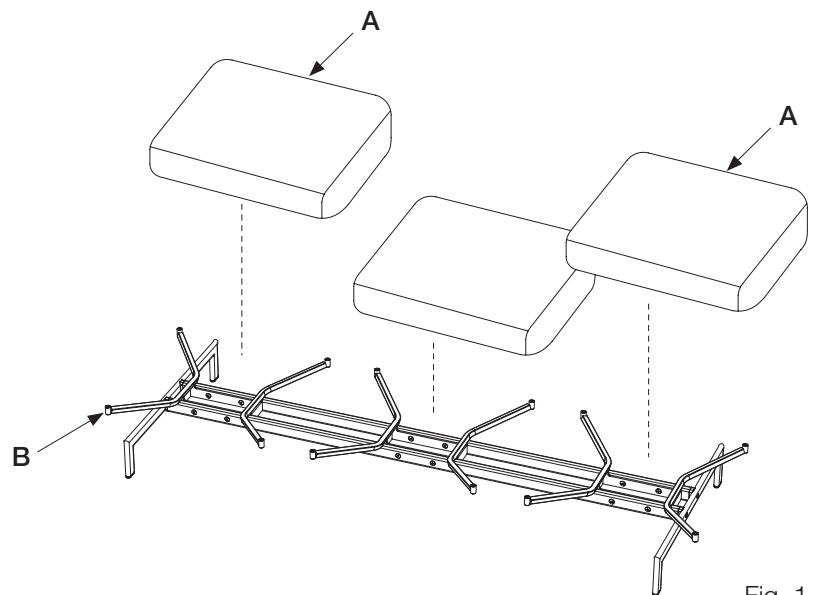


Fig. 1

Avio Three-Seat Bench

AVCB3

Step 2.

Position the threaded pins on the underside of each seat above the 4 attachment sleeves on the base frame.

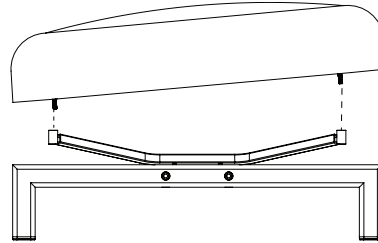


Fig. 2

Step 3.

Slide the 2 threaded pins (C) on the rear of each seat into the attachment sleeves.

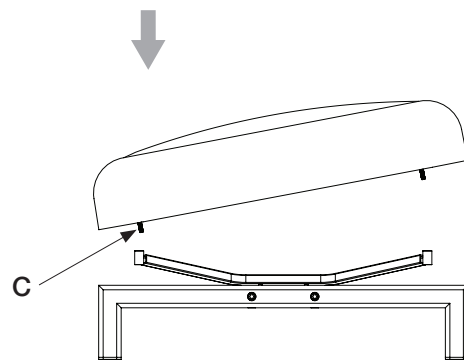


Fig. 3

Step 4.

Pivot the seat forward to slide the 2 threaded pins (D) on the front of each seat into the attachment sleeves.

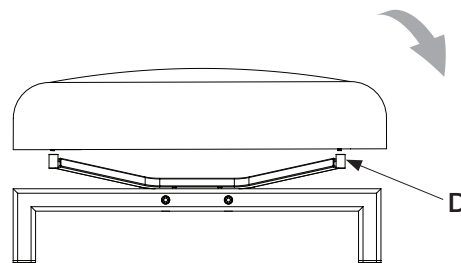


Fig. 4

Avio Three-Seat Bench

AVCB3

Step 5.

To attach each seat to the frame, screw the M8 sex bolts (E) on to the threaded pins; 4 bolts per seat. Use Allen wrench.

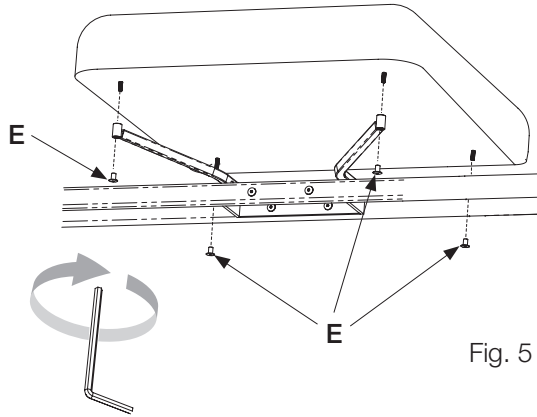


Fig. 5

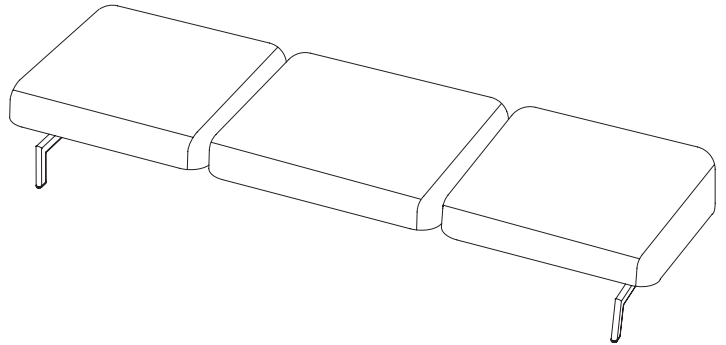


Fig. 6