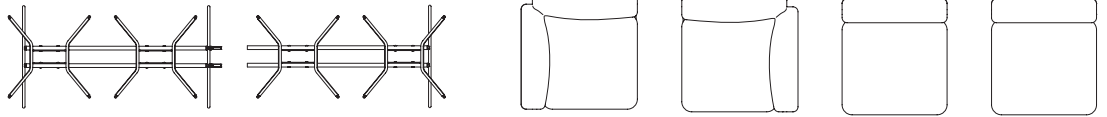


Avio Four-Seat Sofa

AVC04



Unboxing:

You should have received 5 boxes per sofa.

Box 1 includes: sofa base

Box 2 includes: left upholstered seat

Box 3 includes: right upholstered seat

Box 4 includes: center upholstered seat

Box 5 includes: center upholstered seat

Parts list

- 1 Left base frame
- 1 Right base frame
- 1 Left seat
- 1 Right seat
- 2 Center seats

Hardware

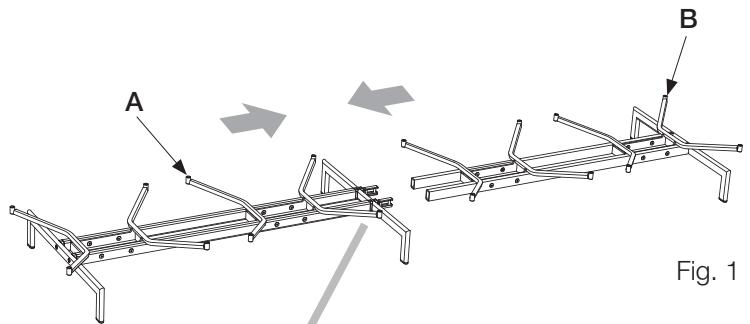
- 4 M10x35 cap screws (base to base)
- 16 M8 sex bolt (seat to base)

Tools needed

- Allen wrench

Step 1.

Slide the two base frames (A) (B) together.



Step 2.

Attach the two base frames together using 4 M10x35 cap screws; use Allen wrench. Tighten the screws in the order 1 to 4, shown in Fig. 3.

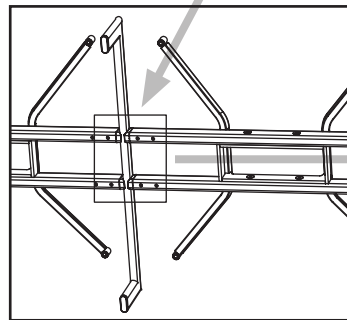


Fig. 2

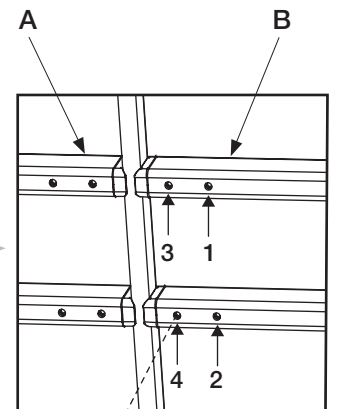


Fig. 3

Avio Four-Seat Sofa

AVC04

Step 1.

Check the hang tag attached to the underside of each sofa seat to identify the right (C) and left (D) seats.

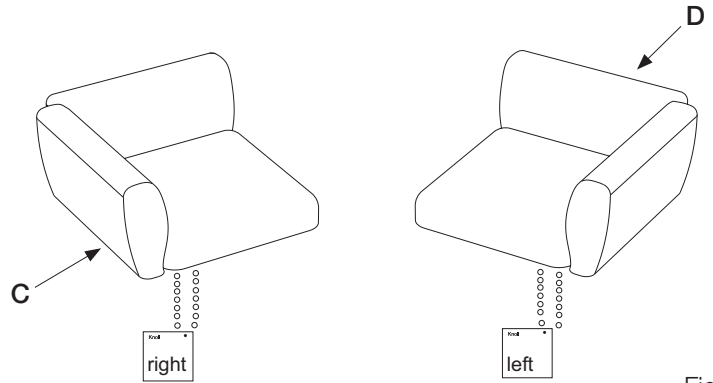


Fig. 4

Step 2.

Position the 4 seats above the base frame (G). The two center seats (E) (F) will be attached to the base first, then (C) (D)

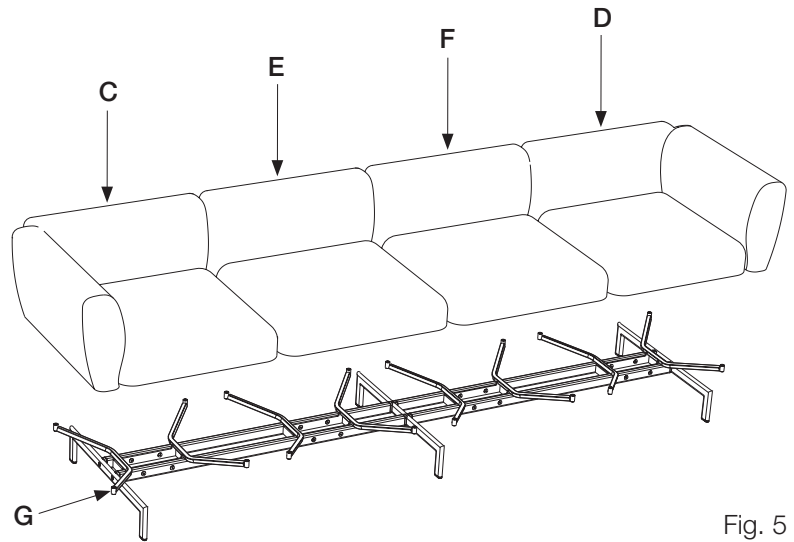


Fig. 5

Avio Four-Seat Sofa

AVC04

Step 3.

Position the threaded pins on the underside of each seat above the attachment sleeves on the base frame.

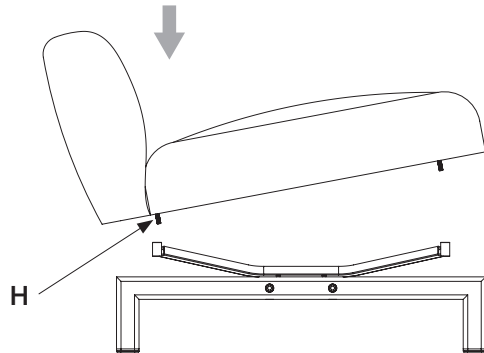


Fig. 6

Step 4.

Slide the 2 threaded pins (H) on the rear of each seat into the attachment sleeves.

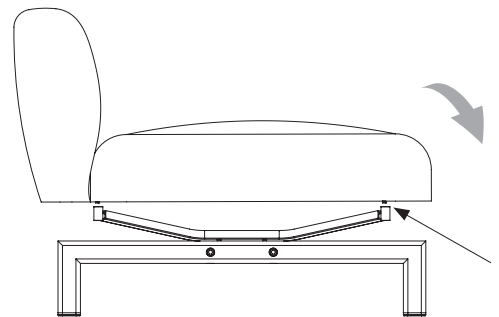


Fig. 7

Step 5.

Pivot the seat forward to slide the 2 threaded pins (I) on the front of each seat into the attachment sleeves.

Step 6.

To attach each seat to the frame, screw the M8 sex bolts (F) on to the threaded pins; 4 bolts per seat. Use Allen wrench.

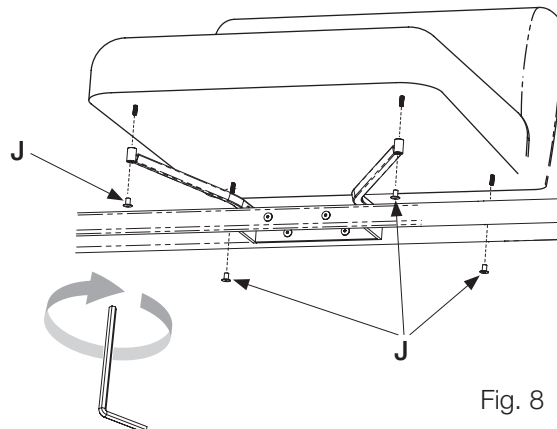


Fig. 8

Avio Four-Seat Sofa

AVC04

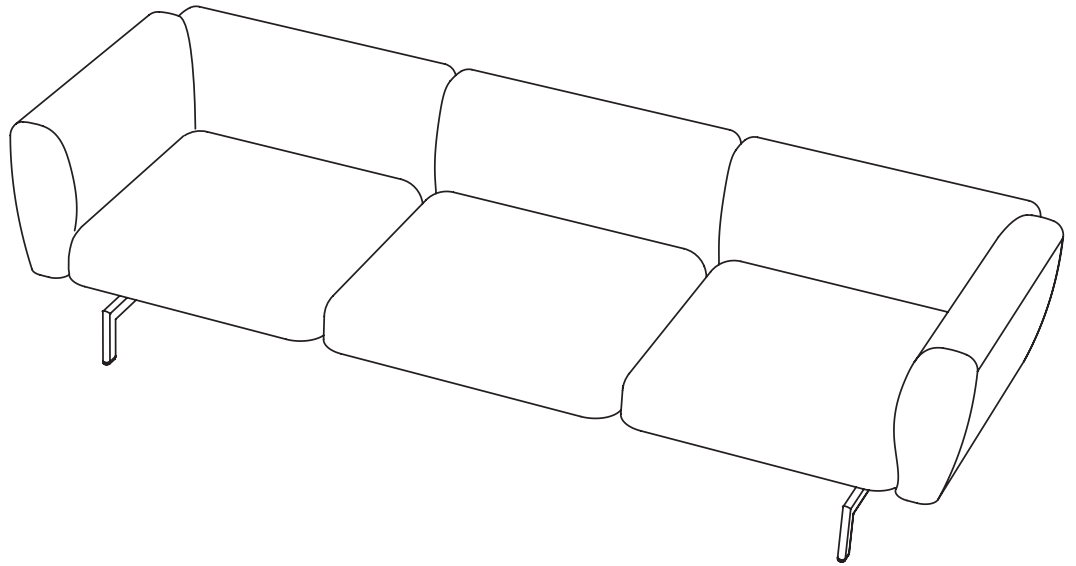


Fig. 9