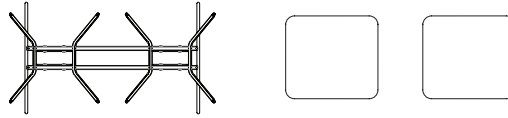


# Avio Two-Seat Bench

AVCB2



## Unboxing:

You should have received 3 boxes per bench.

**Box 1** includes: bench base

**Box 2** includes: upholstered seat

**Box 3** includes: upholstered seat

## Parts list

1 Base frame

2 Seats

## Hardware

8 M8 sex bolt (seat to base)

## Tools needed

Allen wrenches

## Step 1.

Position each seat (A) above the base frame (B).

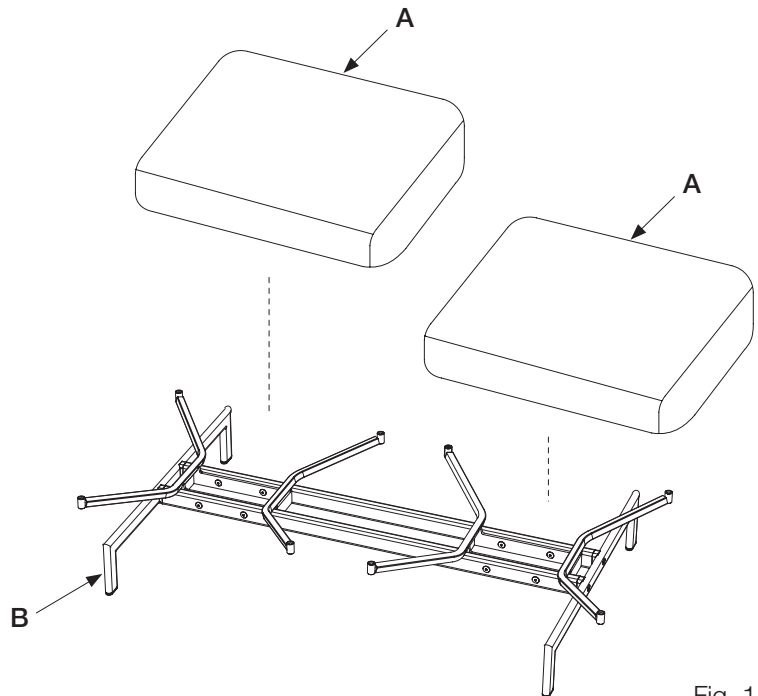


Fig. 1

# Avio Two-Seat Bench

AVCB2

## Step 2.

Position the threaded pins on the underside of each seat above the 4 attachment sleeves on the base frame.

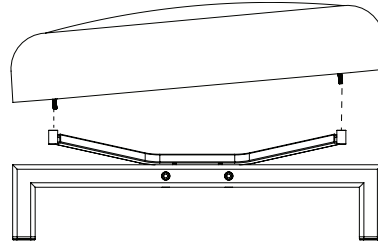


Fig. 2

## Step 3.

Slide the 2 threaded pins (C) on the rear of each seat into the attachment sleeves.

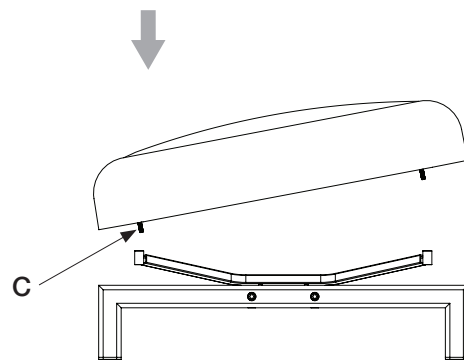


Fig. 3

## Step 4.

Pivot the seat forward to slide the 2 threaded pins (D) on the front of each seat into the attachment sleeves.

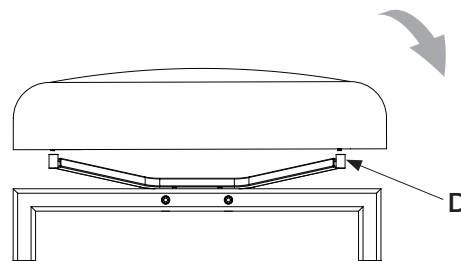


Fig. 4

# Avio Two-Seat Bench

AVCB2

## Step 5.

To attach each seat to the frame, screw the M8 sex bolts (E) on to the threaded pins; 4 bolts per seat. Use Allen wrench.

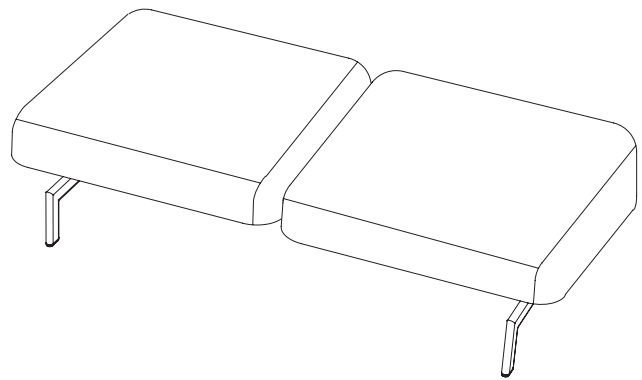
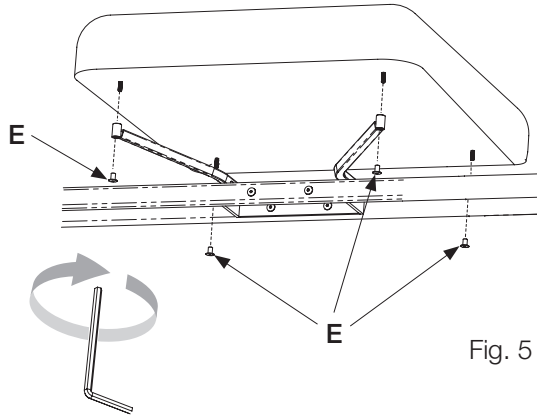


Fig. 6