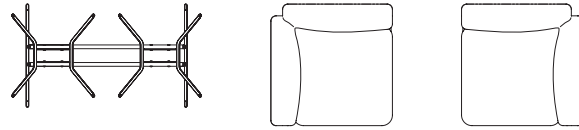


Avio Two-Seat Sofa

AVC02



Unboxing:

You should have received 3 boxes per sofa.

Box 1 includes: sofa base

Box 2 includes: left upholstered seat

Box 3 includes: right upholstered seat

Parts list

1 Base frame

1 Left seat

1 Right seat

Hardware

8 M8 sex bolt (seat to base)

Tools needed

Allen wrenches

Step 1.

Check the hang tag attached to the underside of each sofa seat to identify the right (A) and left (B) seats.

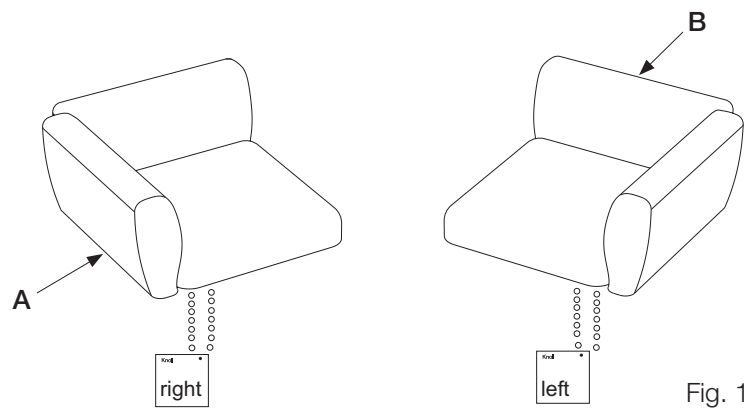


Fig. 1

Step 2.

Position each seat above the base frame (C).

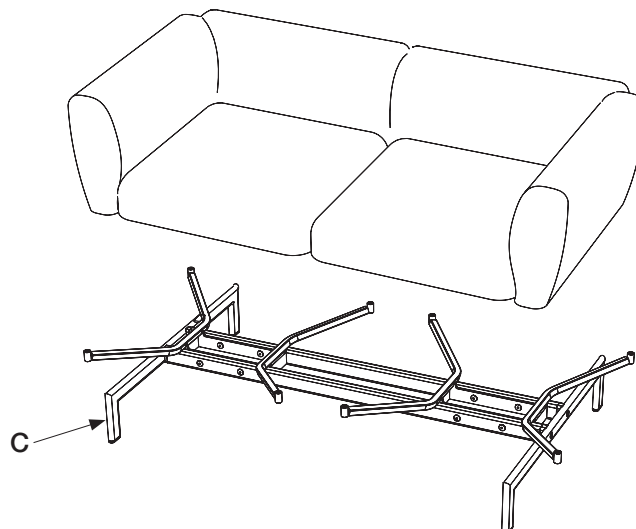


Fig. 2

Avio Two-Seat Sofa

AVC02

Step 3.

Position the threaded pins on the underside of each seat above the 4 attachment sleeves on the base frame.

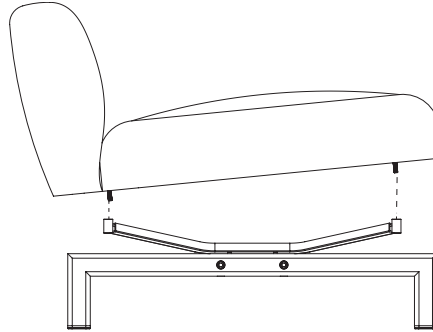


Fig. 3

Step 4.

Slide the 2 threaded pins (D) on the rear of each seat into the attachment sleeves.

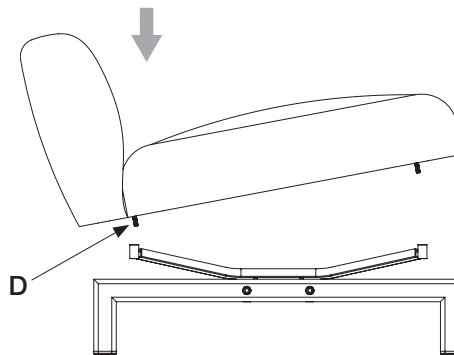


Fig. 4

Step 5.

Pivot the seat forward to slide the 2 threaded pins (E) on the front of each seat into the attachment sleeves.

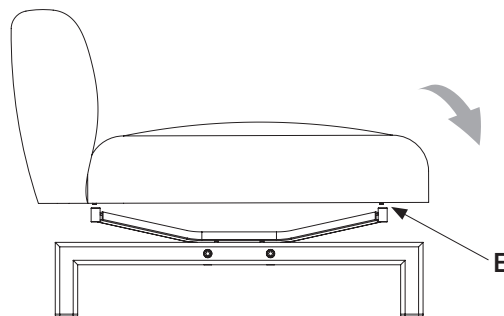


Fig. 5

Avio Two-Seat Sofa

AVC02

Step 6.

To attach each seat to the frame, screw the M8 sex bolts (F) on to the threaded pins; 4 bolts per seat. Use Allen wrench.

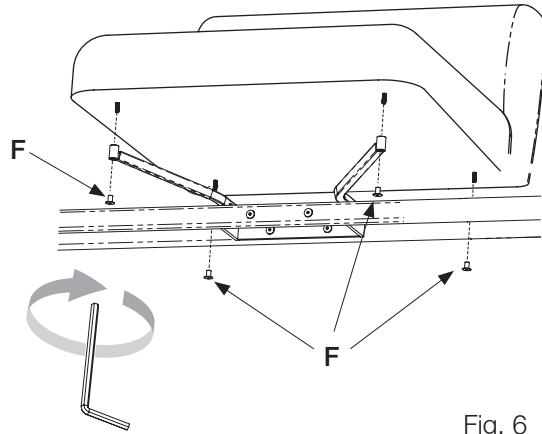


Fig. 6

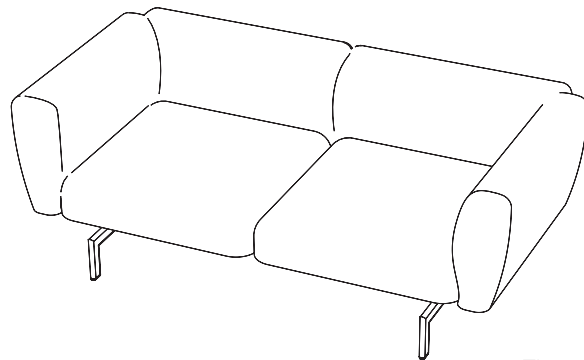


Fig. 7