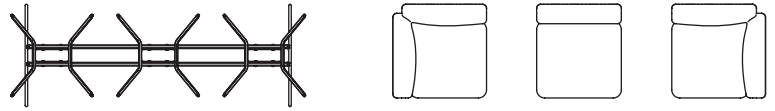


# Avio Three-Seat Sofa

AVC03



## Unboxing:

You should have received 4 boxes per sofa.

**Box 1** includes: sofa base

**Box 2** includes: left upholstered seat

**Box 3** includes: right upholstered seat

**Box 4** includes: center upholstered seat

## Parts list

1 Base frame

1 Left seat

1 Right seat

1 Center seat

## Hardware

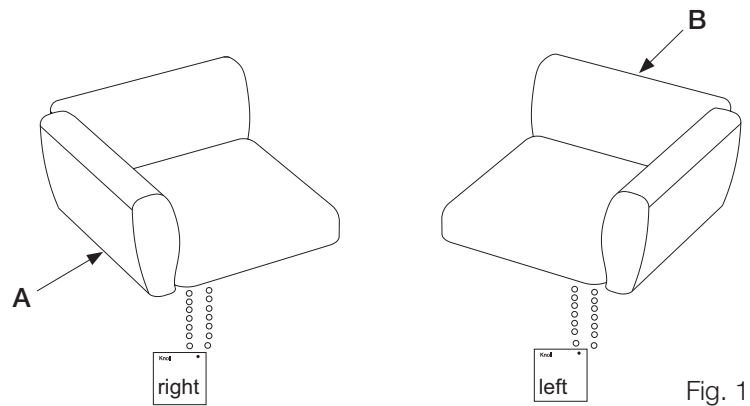
12 M8 sex bolt (seat to base)

## Tools needed

Allen wrenches

## Step 1.

Check the hang tag attached to the underside of each sofa seat to identify the right (A) and left (B) seats.



## Step 2.

Position the 3 seats above the base frame (C).



# Avio Three-Seat Sofa

AVC03

## Step 3.

Position the threaded pins on the underside of each seat above the 4 attachment sleeves on the base frame.

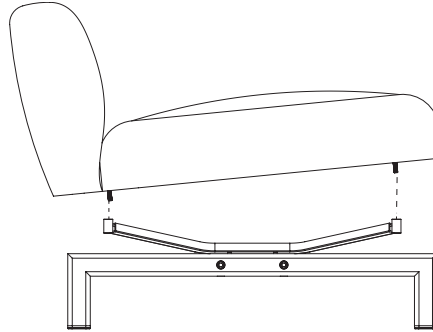


Fig. 3

## Step 4.

Slide the 2 threaded pins (D) on the rear of each seat into the attachment sleeves.

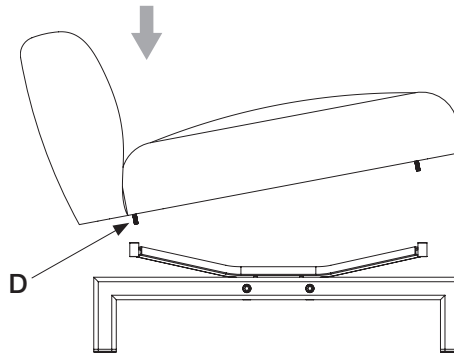


Fig. 4

## Step 5.

Pivot the seat forward to slide the 2 threaded pins (E) on the front of each seat into the attachment sleeves.

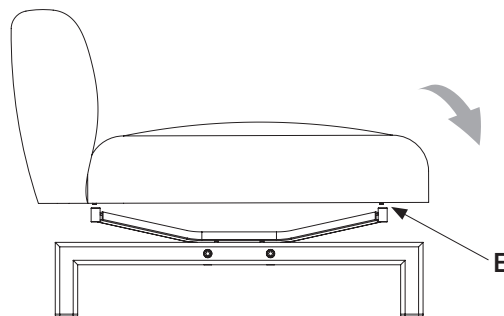


Fig. 5

# Avio Three-Seat Sofa

AVC03

## Step 6.

To attach each seat to the frame, screw the M8 sex bolts (F) on to the threaded pins; 4 bolts per seat. Use Allen wrench.

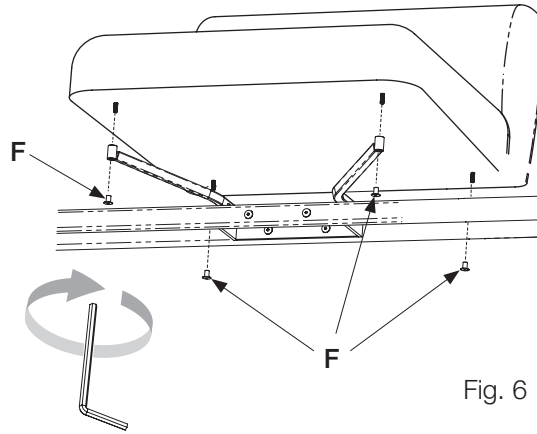


Fig. 6

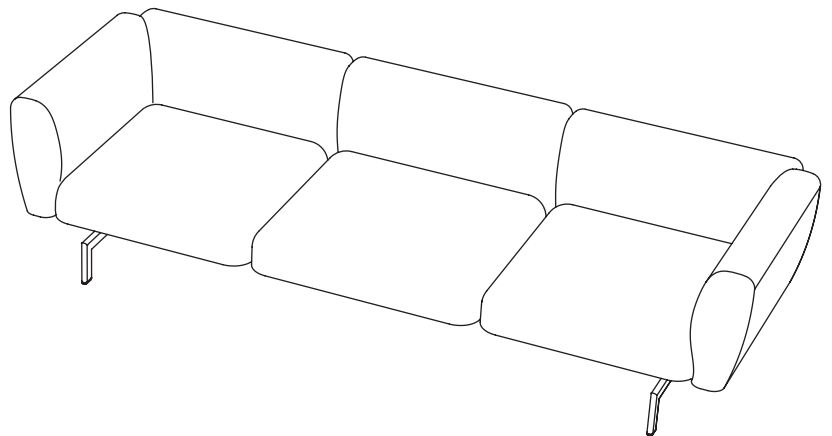


Fig. 7