

Gallery Panel Installation Instructions – Shared T/L and Covered T/L

For both Shared/Covered T and L

5. Align bottom edge of fence 3.25" above bottom edge of panel. **(Fig. 6)**
6. Use screw hole pattern in fence as template to mark pilot hole locations on panel. **(Fig. 7)**
7. Pre-drill on markings. **(Fig. 8)**
8. Assemble fence to panel with screws. **(Fig. 9 and Fig. 10)**
9. Level as necessary.
10. Snap on screens to fence.

Fig. 6

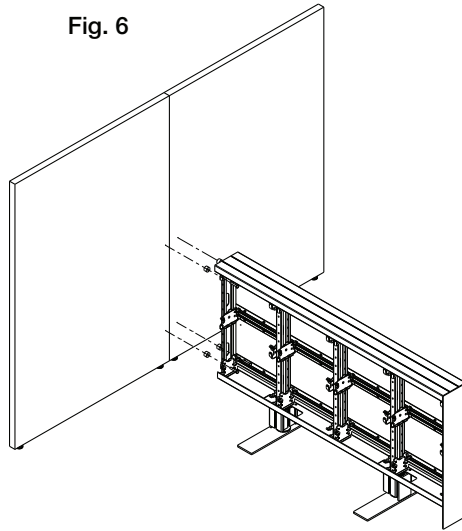


Fig. 7

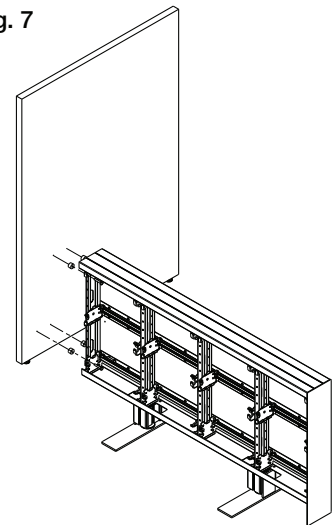


Fig. 8

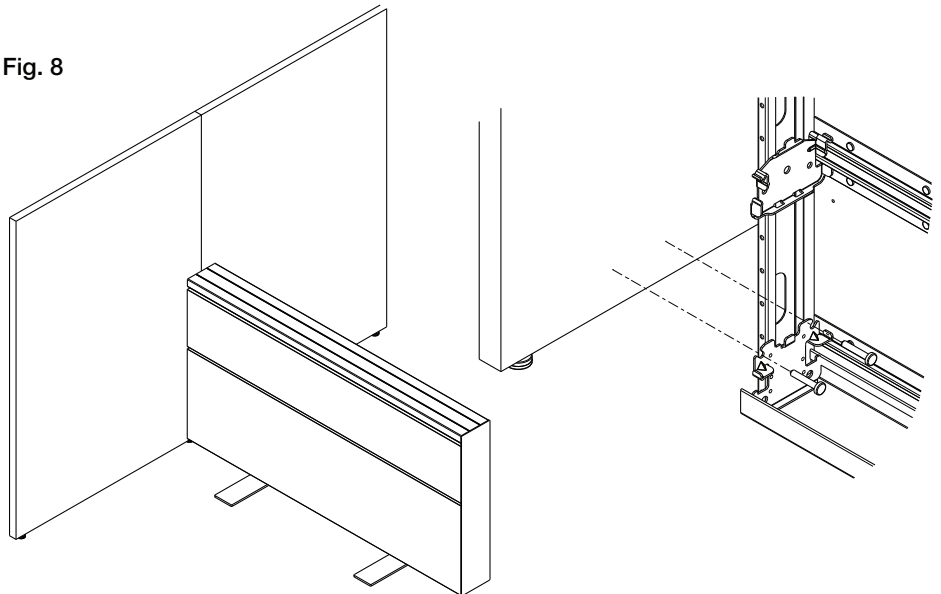


Fig. 9

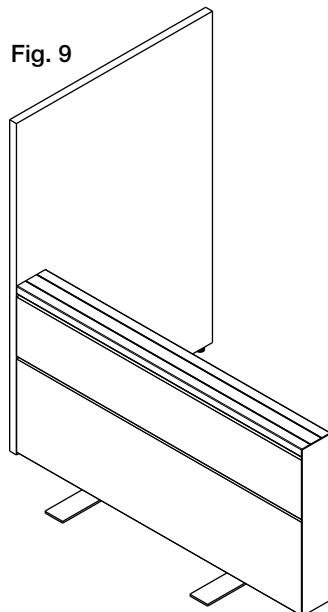


Fig. 10

