

Gallery Panel Installation Instructions – Extensions and Returns

Tools Required:

- #2 and #3 Phillips driver bits'
- 5/64" drill bit
- Square/straight edge
- Centerline marking tool
- Rubber mallet with block
- Pry bar

Extension

1. Using a centerline marking tool, mark the centerline on the end of the installed gallery panel (**Note: It is very critical that the centerline is located accurately**)

2. Align the Extension Gallery Panel against the installed Gallery panel ensuring that it is flush to the installed Gallery Panel.

Tip: for best results clamp tightly together.

(Fig. 1)

3. Insert a 5/64" drill bit into the pre-drilled hole of the extension gallery panel
4. Use a square, Align the edge of the square to the drill bit and mark a line on the adjacent gallery panel center line (repeat as needed for each pre-drilled location)
5. Use a center punch, carefully and accurately mark the location on the installed Gallery Panel. (Fig. 2)
6. Repeat steps 4 through 6 for all holes.
7. The accuracy of locating these holes determines the alignment and final fit
8. Drill marked holes using a 5/64" drill bit 1" deep
9. Install the male spring clips with the tang in the up position (Fig. 3)
10. Install the female spring clips with the tang in the down position in the machined pocket using the pre-drilled holes (Fig. 3)
11. Torque setting – since drill drivers can be different, set the torque at the mid-point of the driver's torque range.
12. Stand the extension gallery panels up, align the panels to one another and press downward to seat until the top plane of both panels are even. (Fig. 4)

Tip: if a rubber mallet is required, use block to prevent damage to the gallery panel

Fig. 1 Extensions

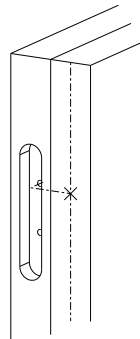
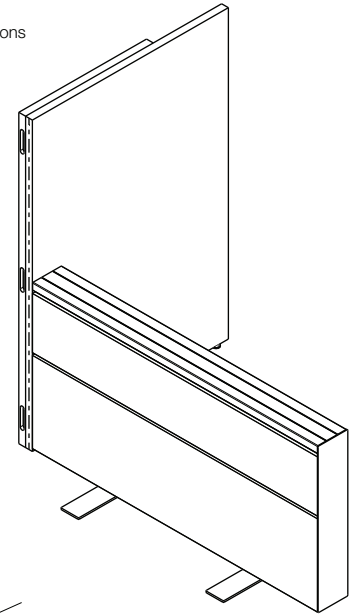


Fig. 2

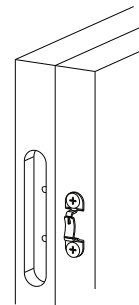


Fig. 3

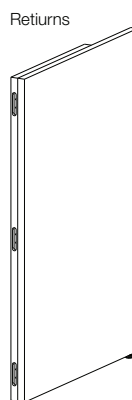


Fig. 4