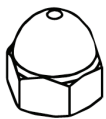


Quoin to Dividends Panel

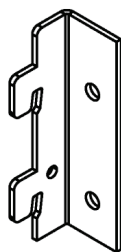
Hardware



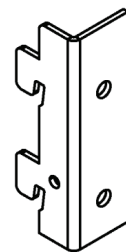
Acorn Nut
2MA4064H01



#10 x 3/8" Screw
7488140



Panel To
Locker Bracket
2MA0829H02



Panel To
Locker Bracket
2MA4064H01



Lock Washer
2MA4064H01

- Place (2) panel brackets into slots on panel vertical stile. Insert the bottom bracket into the bottom slots on the panel.

For lockers panel height and taller, insert top bracket into top slots on the panel. For lockers shorter than panel height, align bracket to slots in panel where the bracket is approx. 3-5 inches from top of locker.

- Position locker against brackets on panel as shown (Fig. 1) and mark bracket location on locker.
- Move locker away from panel and remove panel brackets from panel. Place panel bracket flush against the side of locker as shown (Fig. 2) and mark holes for drilling into locker.
- Drill 7/32" dia hole through locker in the (4) panel bracket hole locations.
- Attach panel brackets to locker using #10 x 3/8" screw. Position lock washer and acorn nut on interior face of locker back to engage with screw.
- Position locker against panel and lift locker and engage panel bracket hooks into slots on panel. (Fig. 3)

Fig. 1

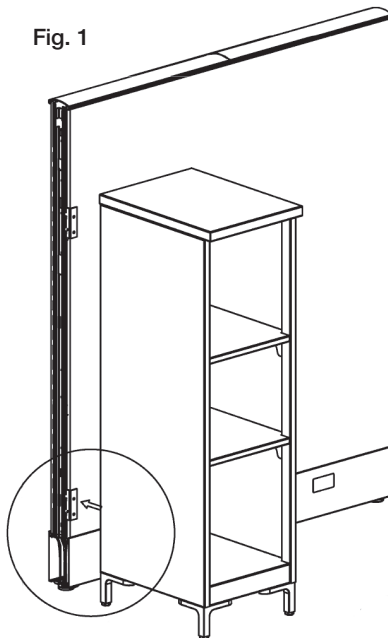


Fig. 1 Detail

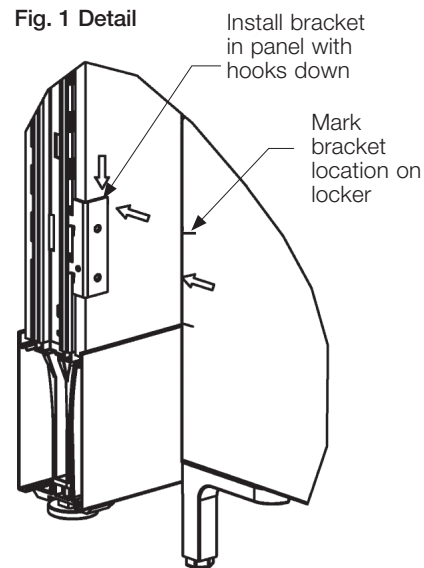


Fig. 2

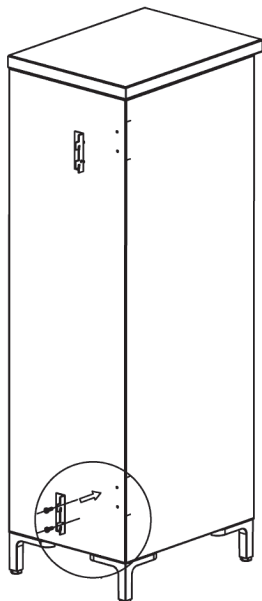


Fig. 2 Detail

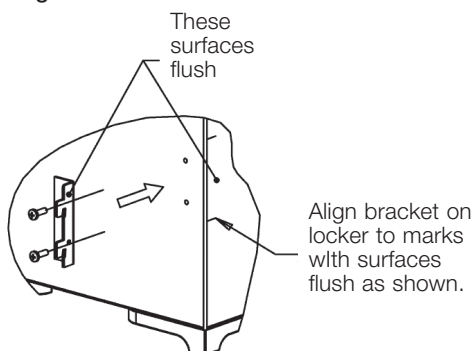


Fig. 3

