

Anchor Towers Tackboard Front Panel

Installation Instructions

1. Position clips approximately 2" to 3" in from edges. Align and mark to drill pilot holes on seam between side access front panel and pedestal top (**Fig. 1**)
2. Attach clips using (4) #6 x 3/8" PH, flat head screws.
3. Apply tape to the back of tack panel, near the top edge. Do not apply tape to the fabric. Remove backing from tape (**Fig. 2**).
4. Position panel over clips, aligning edges with drawer front below (**Fig.3**)
5. Press down to seat panel on clips, then press back to adhere panel at the top.

Fig. 1

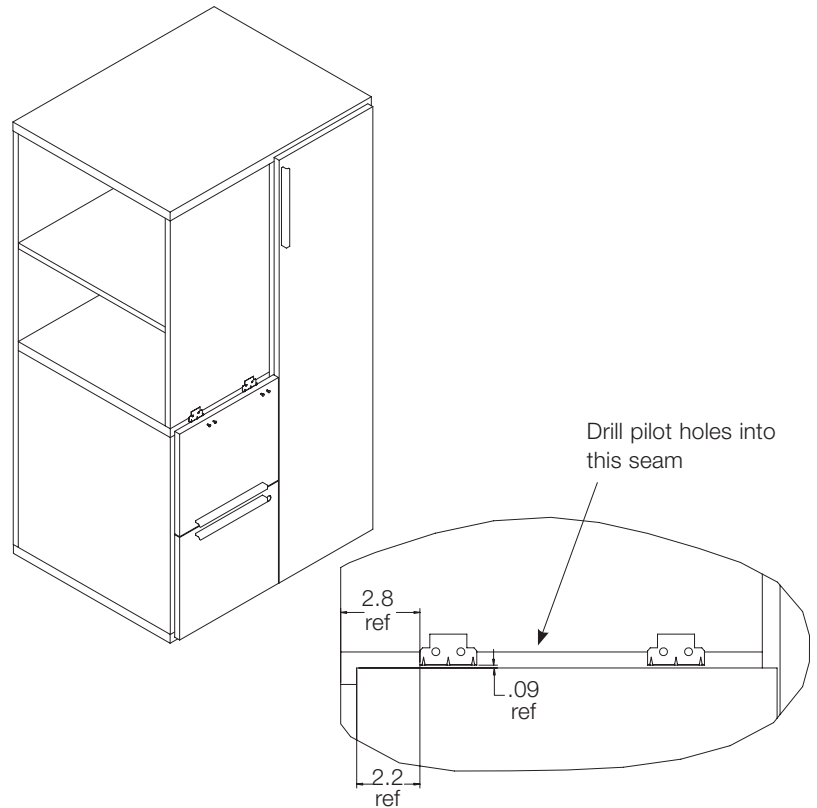


Fig. 2

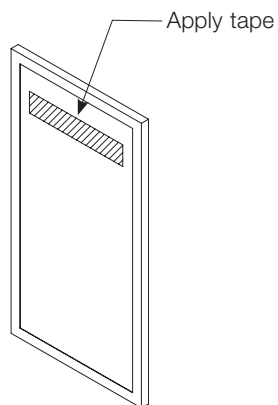


Fig. 3

