

Antenna Horsepower with Storage and Gallery Panels

Tools Required

- Drill/Driver
(DO NOT USE Impact Driver)
- #2 and #3 Phillips driver bits
- Rubber mallet with block
- Pry bar
- 9/64" drill bit
- Tape measure
- Level

Notes:

A. The installation of Gallery panels to Horsepower varies when attaching to Horsepower with storage. Bottom brackets are swapped with one another and have screw attachments inboard of the legs. See Figs. 1 and 2.

B. There is an option for installation. The Gallery panels can align with the outer edge of the glide insert edge (Figure 3a) or the edge of the storage (Figure 3b). Please refer to product order.

Steps

1. Follow installation guides for Covered T, Shared T, and Covered L Gallery Panels, but locations of brackets vary as shown in Figures 3 and 4. Figure 3a and 3b demonstrates 25" tall Horsepower. Figure 4 demonstrates 28" tall Horsepower.

continued...

Fig. 1

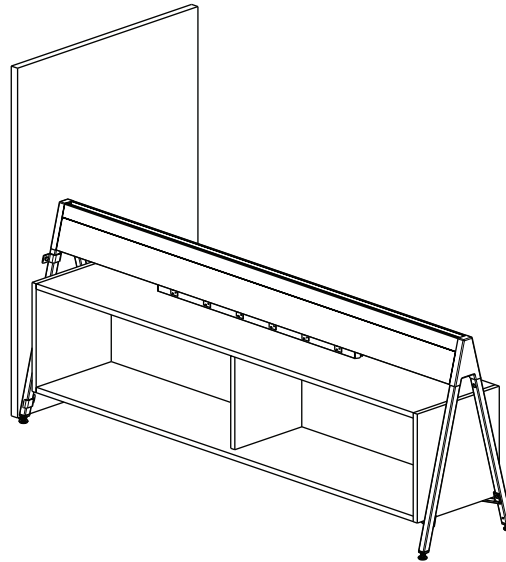
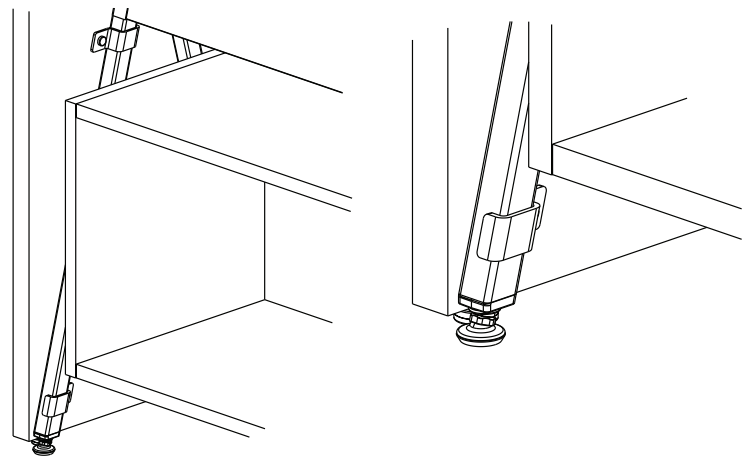


Fig. 2



Antenna Horsepower with Storage and Gallery Panels, continued

Fig. 3a

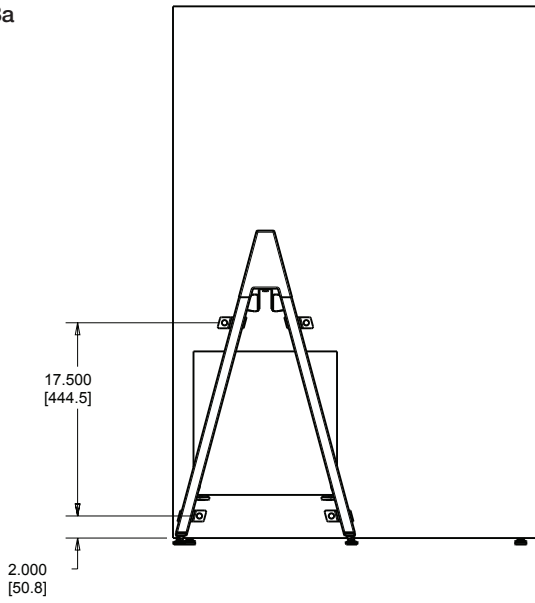


Fig. 3b

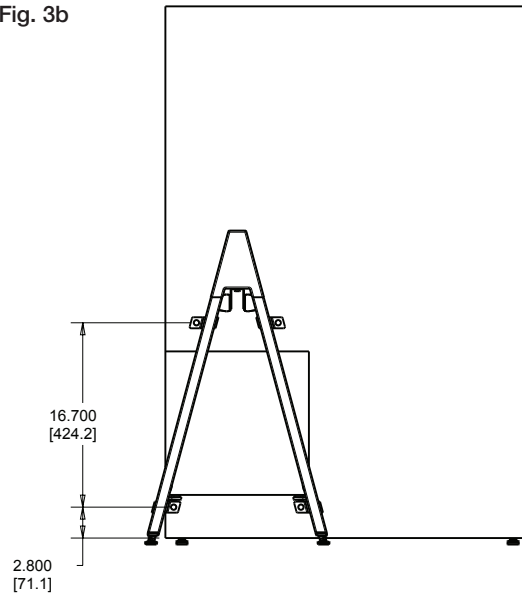


Fig. 4

