

Antenna Horsepower Covered L

Tools Required

- Drill/Driver (DO NOT USE Impact Driver)
- #2 and #3 Phillips driver bits
- Rubber mallet with block
- Pry bar
- 9/64" drill bit
- Tape measure
- Level

1. Stand gallery panels up next to Horsepower. Align outer corner of panel. (Figs. 1, 2)
2. Level gallery panel so that the bottom edge is level with the bottom edge of the Horsepower glide inserts. (Figs. 1, 2)
3. Arrange brackets as shown in Figure 6. Mark holes and pre-drill with 9/64" diameter drill bit to a depth of 3/4" deep. (Figs. 3, 4)
4. Install four brackets with #14 x 1" long pan head sheet metal screws. (Figs. 3, 4)

Fig. 2

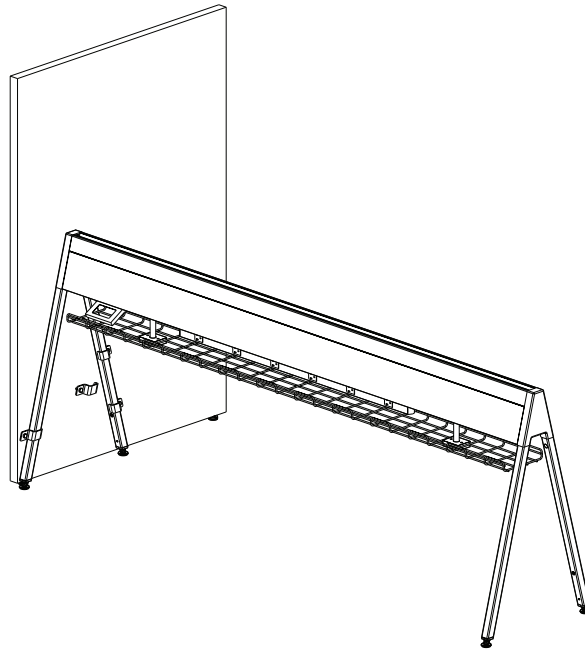


Fig. 1

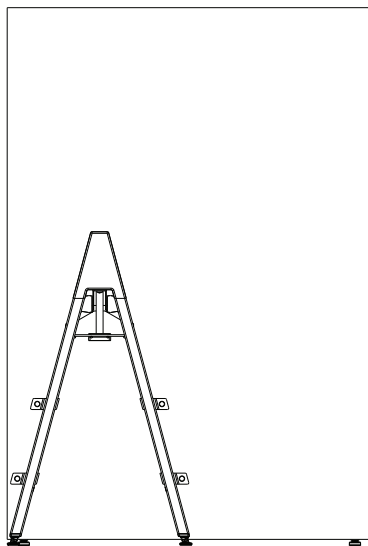


Fig. 3

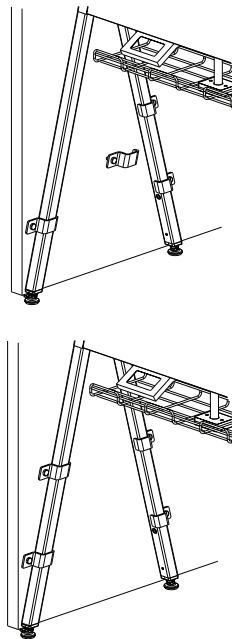


Fig. 4

