

Antenna Horsepower Shared T

Tools Required

- Drill/Driver (DO NOT USE Impact Driver)
- #2 and #3 Phillips driver bits
- Rubber mallet with block
- Pry bar
- 9/64" drill bit
- Tape measure
- Level

1. Lay Gallery Panels on a clean, soft and dry surface

Tip: screw the leveling glides all the way in on gallery panel 1 and leave the leveling glides out 3/4" on gallery panel 2. (Fig. 1)

2. Install the male spring clip (with the tang in the up position) using the pre-drilled holes on gallery panel 1. (Fig. 2)

3. Install the female spring clips (with the tang in the down position) in the machined pocket on gallery panel 2 using the pre-drilled holes. (Fig. 3)

Torque setting – since drill drivers can be different, set the torque at the mid-point of the driver's torque range.

4. Stand both gallery panels up and with gallery panel 2 raised slightly higher than gallery panel 1, align the panels to one another and press downward until the top plane of both panels are even. (Fig. 4)

continued...

Fig. 1

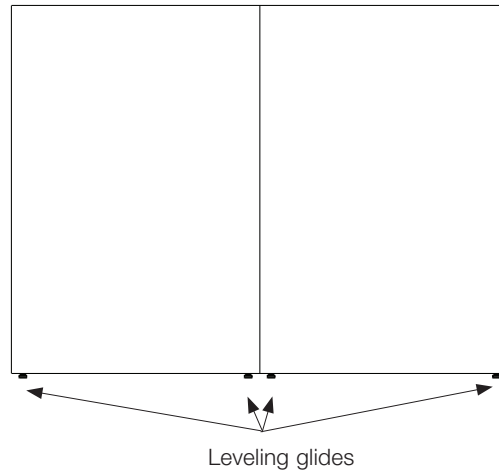


Fig. 2

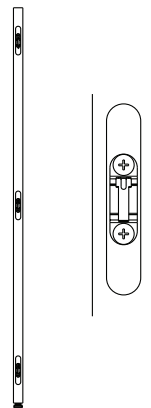


Fig. 3

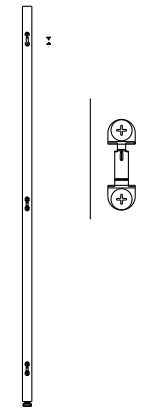


Fig. 4



Antenna Horsepower Shared T, continued

5. Line up gallery panel center seam with centerline of Horsepower. Hold in place.
6. Level gallery panel assembly so that the bottom edge is level with the bottom edge of the Horsepower glide inserts. **(Fig. 5)**
7. Arrange brackets as shown in Figure 6. Mark holes and pre-drill with 9/64" diameter drill bit to a depth of 3/4" deep. **(Fig. 6)**
8. Install four brackets with #14 x 1" long pan head sheet metal screws. **(Fig 6)**

Fig. 5

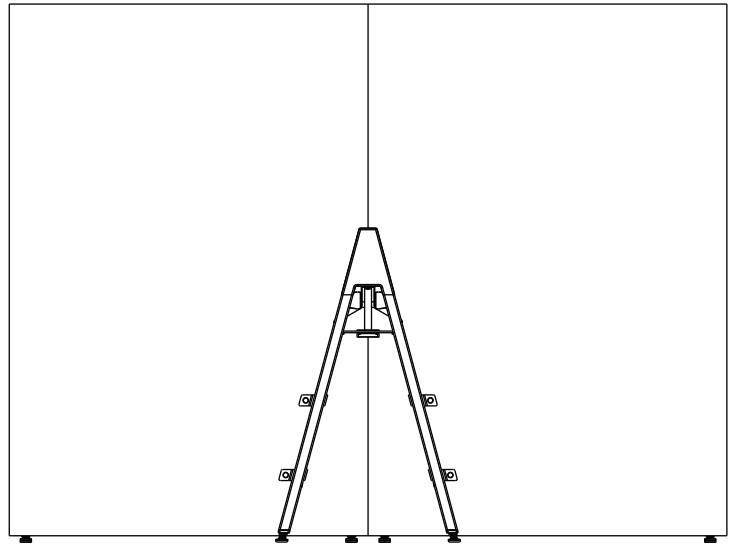


Fig. 6

