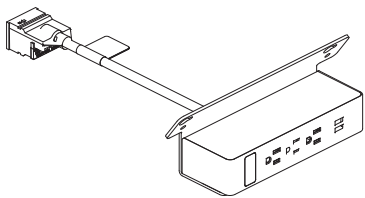
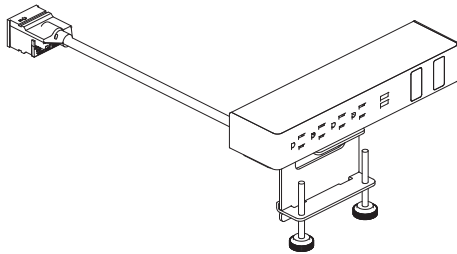
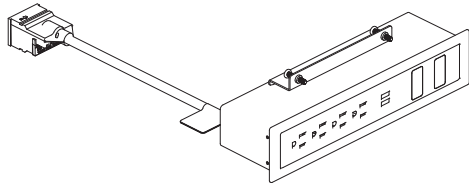
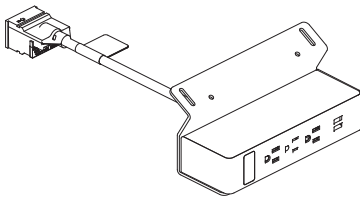
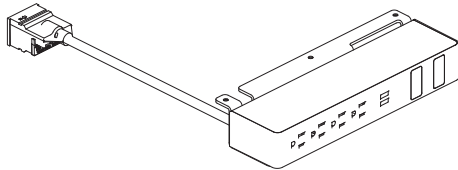
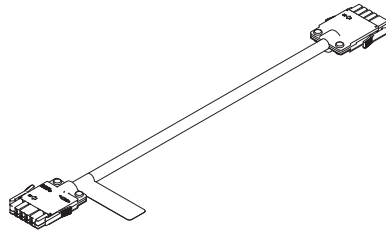
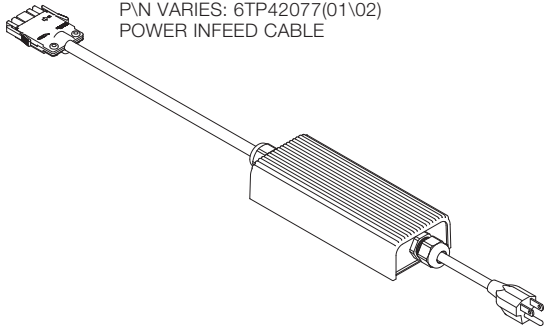



Linkable Power and Communication

Reference Number: 6TP00586

Tools Needed

Drill gun - to secure electrical unit to the table

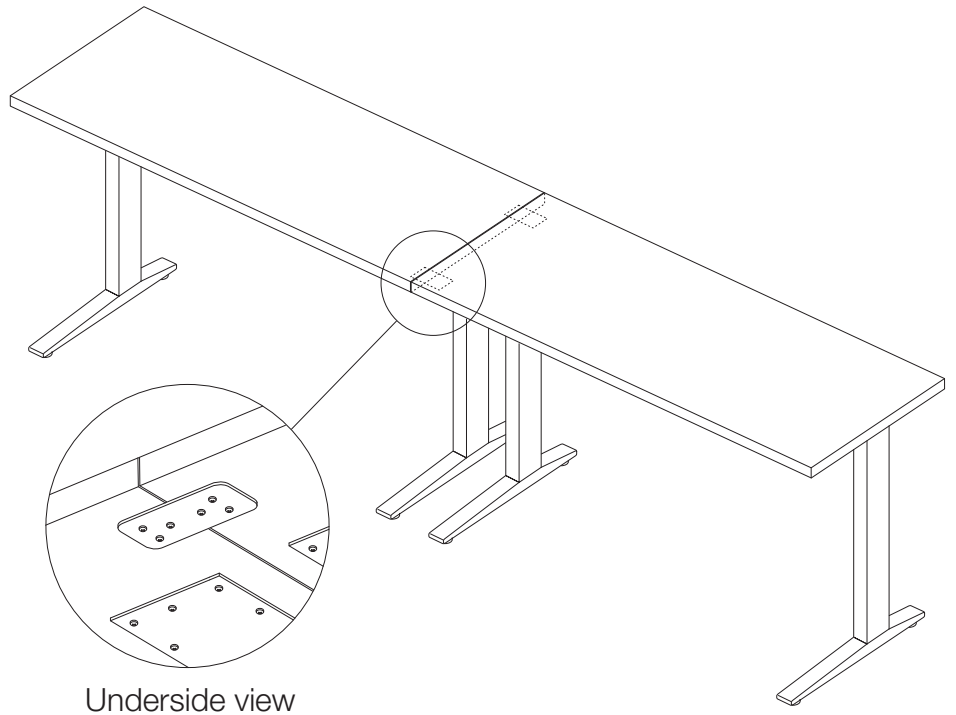
HARDWARE LIST		
<p>(A) P/N VARIES ELECTRICAL UNIT</p>  <p>PENINSULA POWER CENTER</p>  <p>CLAMP-ON (FLUSH & OFFSET)</p>  <p>TABLE DROP-IN</p>  <p>TABLE POWER CENTER</p>  <p>TABLE UNDERMOUNT</p>	<p>(B) P/N VARIES: 6TP42078(01-22) JUMPER CORD</p> 	<p>(C) P/N VARIES: 6TP42077(01\02) POWER INFEED CABLE</p>  <p>(D) CORD SUPPORT (COMES WITH ELECTRICAL UNIT)</p> 

Linkable Power and Communication

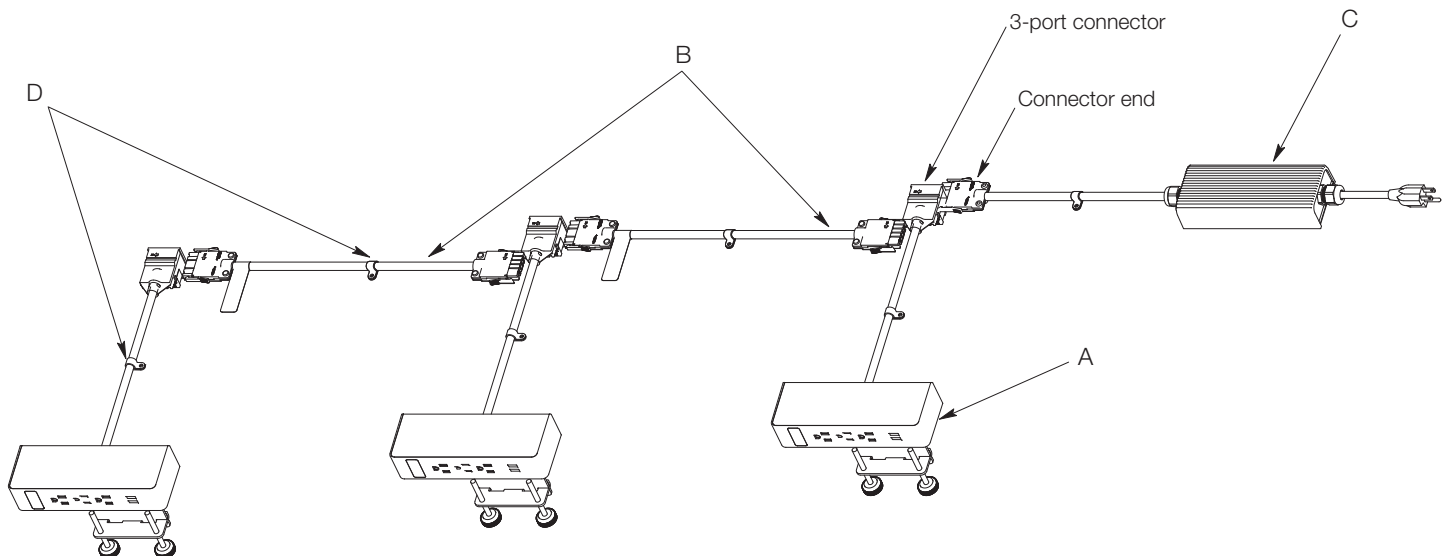
Reference Number: 6TP00586

1. Arrange the tables as desired, making sure that the tables are mechanically secured.

Note: Linkable units are not intended to span between tables that are not mechanically attached.



2. Place the linkable electrical units (A) where desired.



Example using clamp-on electrical unit

Linkable Power and Communication

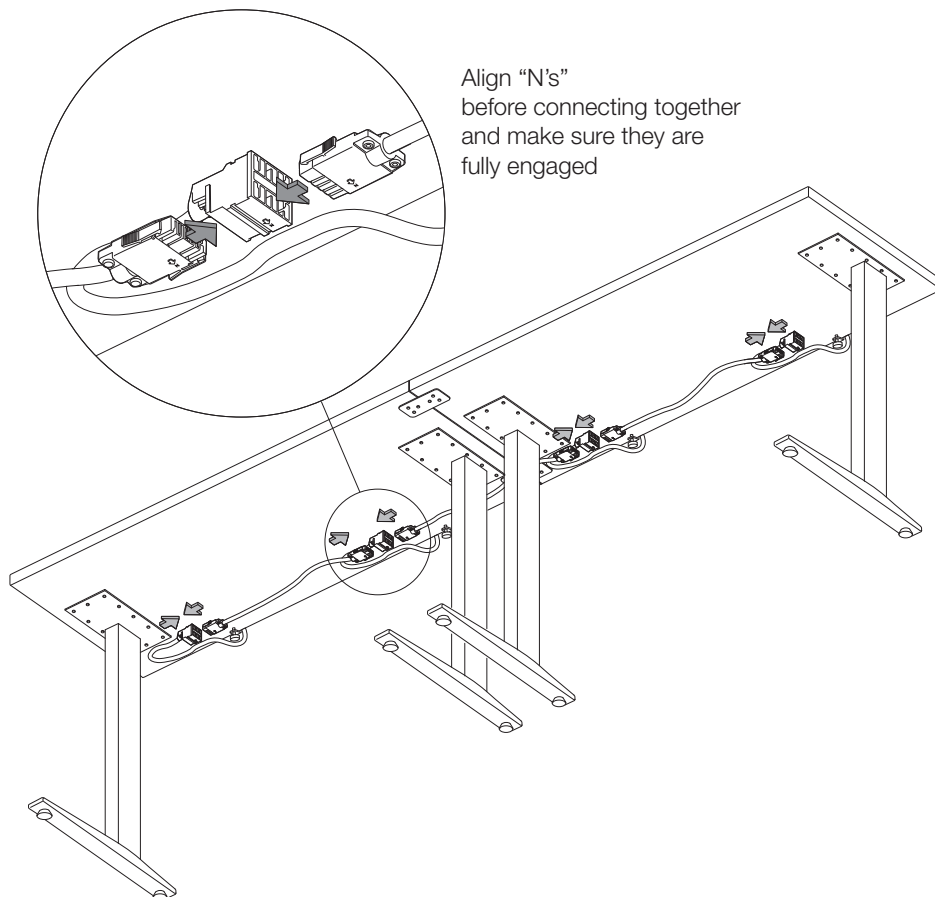
Reference Number: 6TP00586

3. Install the device jumpers (B) between the electrical units.

Note: The connectors are keyed to plug in only one way.

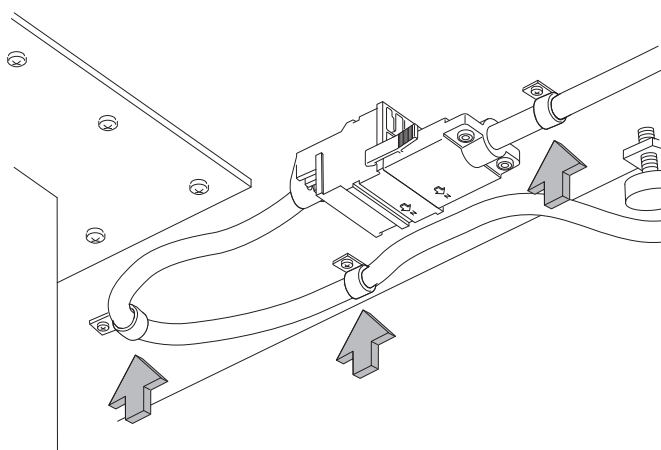
The combined number of simplex power outlets across all electrical units shall not exceed 8 in total.

The systems interconnection cordage shall not exceed 40 feet from the outlet end of the infeed power cable to the last receptacle in the string.



4. Install cord supports (D) on the device jumper cords so that the cord is supported on at least one end of cord and every 2 feet.

The cord shall not hang down more than 6 inches below the underside of the table surface.

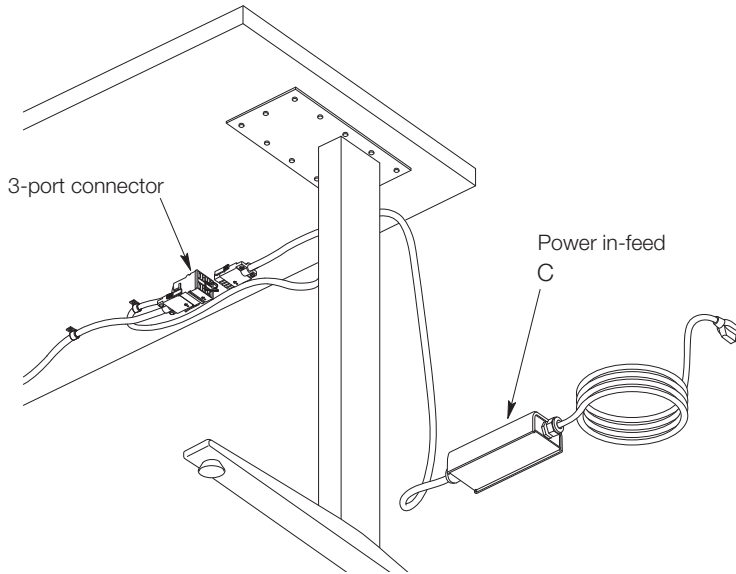


Linkable Power and Communication

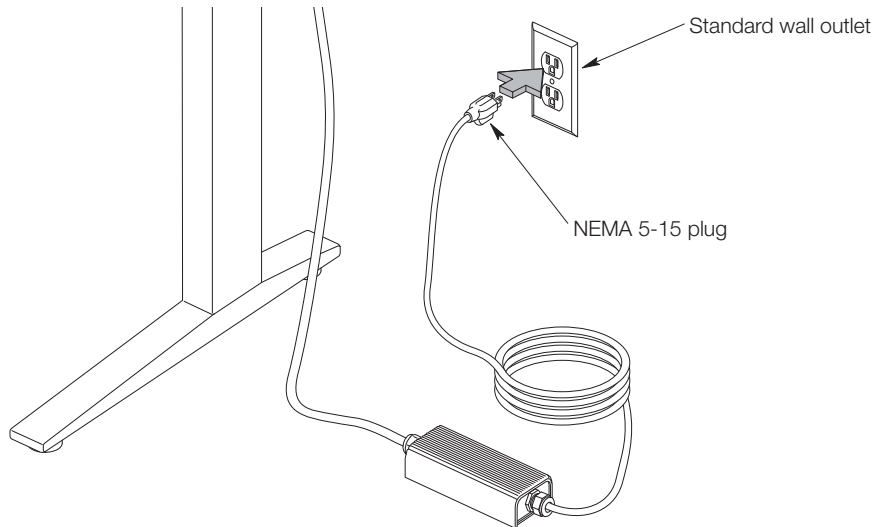
Reference Number: 6TP00586

- Plug the connector end of the power infeed cable (C) into 3-port connector on the first electrical unit. Never use more than one infeed cable.

Note: Place power infeed cable somewhere that is not to cause a trip hazard or damage the electrical system.

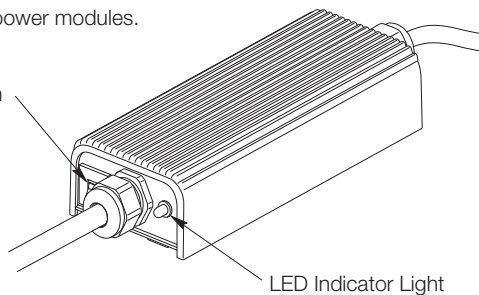


- Insert the NEMA 5-15 plug end of the power infeed cable (C) into a properly wired/grounded (non-GFCI) standard wall outlet



- Verify that a green LED is lit on the power infeed enclosure indicating that power is being supplied to the power modules.

Over current protection (12Amp)



(Light Status)		
GREEN	RED	Possible Cause
● Off	☼ Flashing	More than one Power In-feed connected to system.
● Off	○ On	Exceeds maximum number of Power modules
○ On	● Off	If no power check that circuit breaker has not opened. (Max current load is 12Amps)