

Rockwell Unscripted® Creative Wall® Install Instructions

Accessories

Table of Contents

<u>TV Mounting</u>	<u>1-5</u>
<u>Sliding Conversation Board</u>	<u>6-10</u>
<u>Light Blocking Kit</u>	<u>11-22</u>

Rockwell Unscripted® Creative Wall® Install Instructions

TV Mounting

Pattern Numbers Represented:

Unscripted Borders TV Mounting Kit, **UBMMS**

Part List:

- (A) Aluminum Stud (2 per assy)
- (B) Angle Braces (8 per assy)
- (C) 1/4-20 x 1/2" Pan Head Thread-Forming Screw (16 per assy)
- (D) 3/4" Dia. X 1/2" Spacer (4 per assy)
- (E) 1/4-20 x 3-1/4" Pan Head Screw (8 per assy)
- (F) 1/4-20 Nut Plate (4 per assy)
- (G) #10 x 3/4" Hex Head Self Drilling Screw (48 per assy)

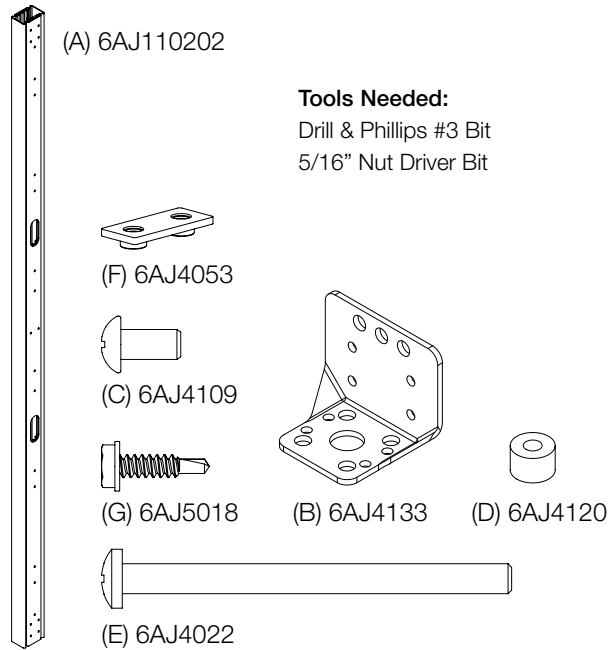
Tools Needed:

Drill & Phillips #3 Bit
5/16" Nut Driver Bit

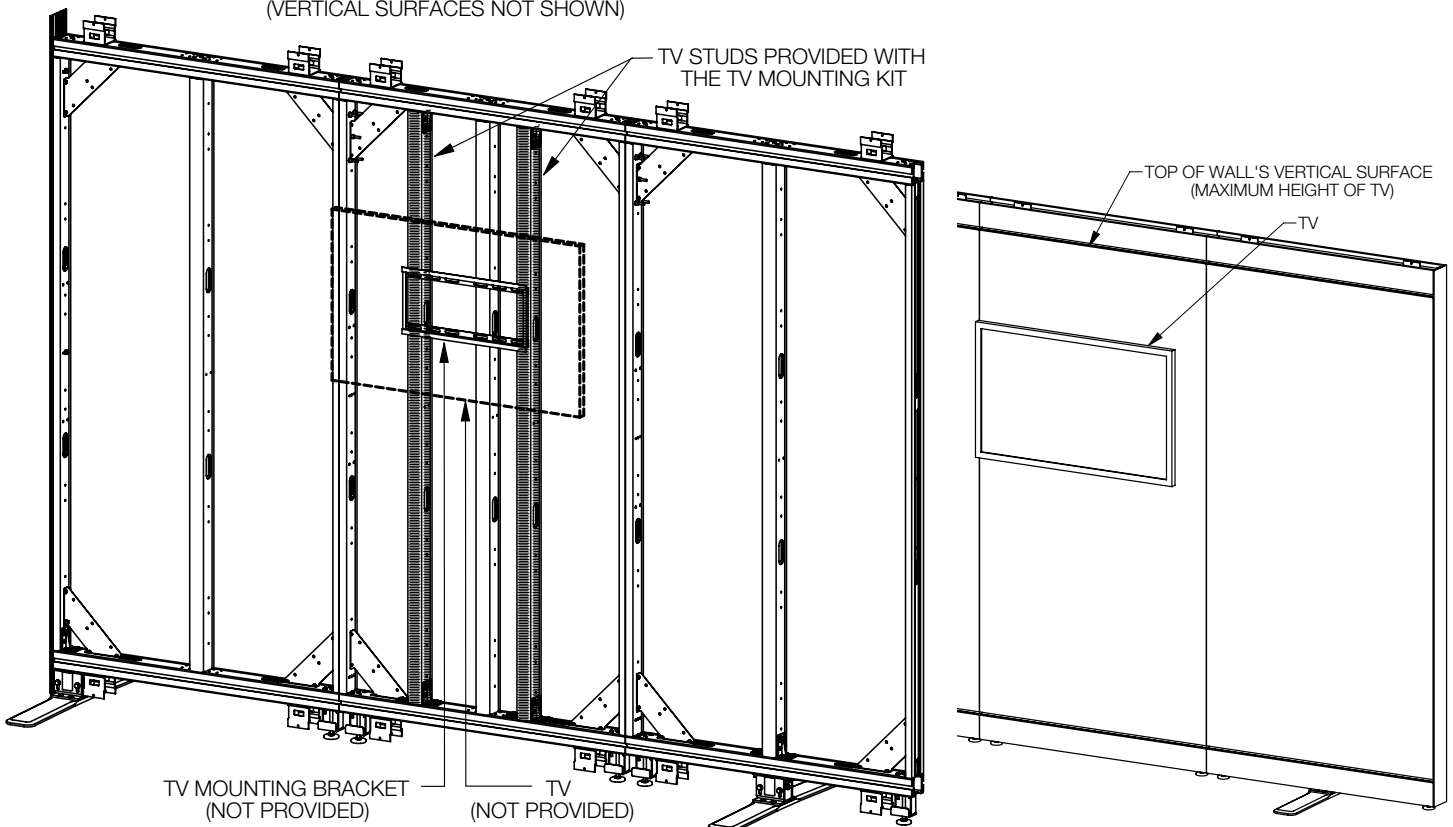
STEP:

Note:

- This kit is used to provide TV mounting anywhere along the wall.
- The TV being installed must weigh 65 pounds or less, 60" or less and 6" or less cantilever from the wall.
- The TV must not extend above the top of the wall's vertical surface and must not extend beyond the end of the wall.
- TV mounting bracket is to be supplied by others and must be of a design intended for mounting to 2 vertical wall studs spaced 16" to 24" on center.
- Two double-sided feet are required. Both feet are to be within 48" of the TV's centerline.
- Free-standing walls with mounted TV must be at least 8' wide.
- Vertical surfaces must be removed from the wall frame during the installation of internal components.



TV MOUNTED TO WALL FRAME
(VERTICAL SURFACES NOT SHOWN)



Rockwell Unscripted® Creative Wall® Install Instructions

TV Mounting

1. Determine the required location along the wall and the mounting height for the TV being installed.
2. Determine hole spacing and hardware needed for your TV mounting bracket.

Note:

Most TV mounting brackets are designed for 16" to 24" stud spacing. TV Aluminum Studs (A) spacing must also be in this range.

3. Install (2) Angle Braces (B) flush to each end of the Aluminum Studs (A) using (4) 1/4"-20 x 1/2" Pan Head Thread-Cutting Screws (C) for each brace. The braces are to be installed on the sides with the pre-drilled pilot holes. Take care not to strip the threads while installing.

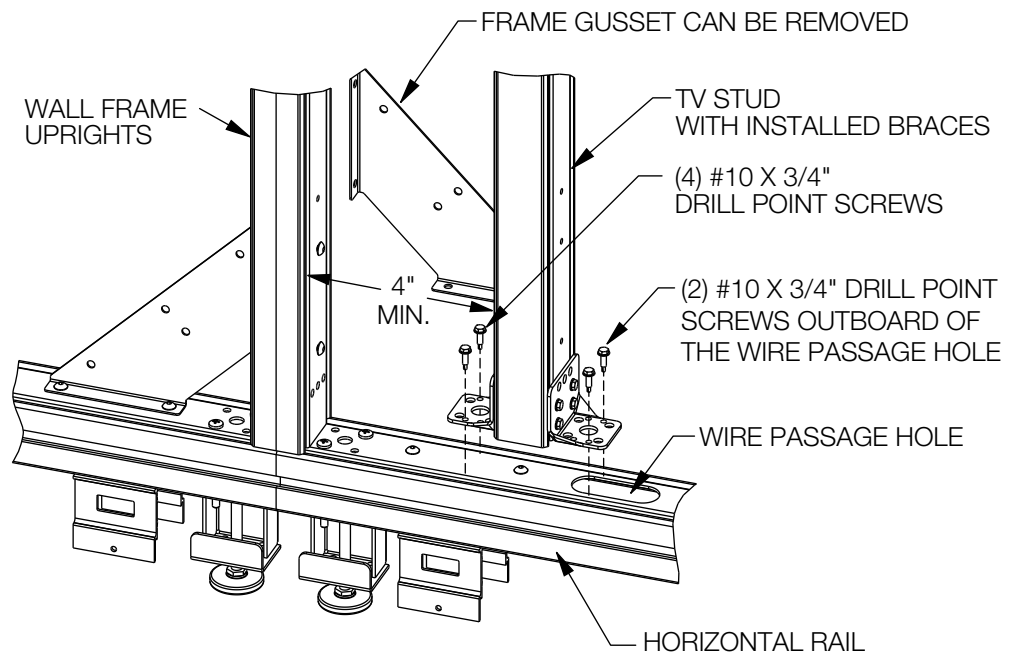
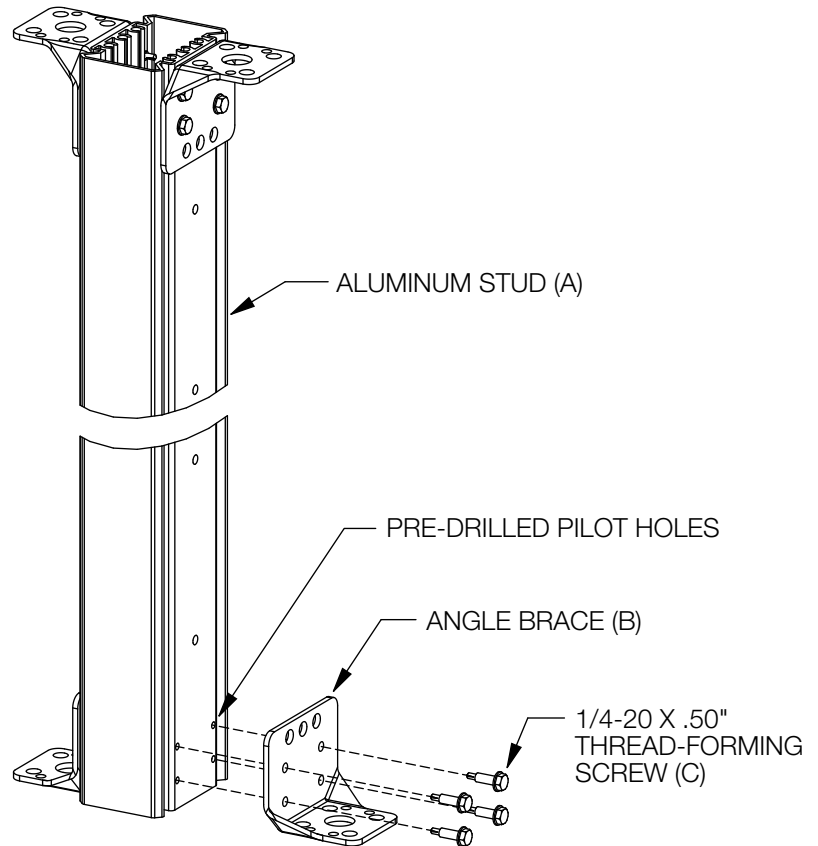
Note:

The wall frame's uprights can be used instead of the Aluminum Studs (A) if their locations are appropriate for the TV's intended location. In this case, the Angle Braces (B) must be installed at the bottom of the wall frame's upright using (4) #10 x 3/4" Hex Head Drill-Point Screws (G) into the wall frame's upright and (2) #10 x 3/4" Hex Head Drill Point Screws (G) into the frame's horizontal rail.

4. Position the Aluminum Studs (A) with installed Angle Braces (B) vertically between the upper and lower horizontal rails of the wall frame. Install each Angle Brace (B) to the rails using (4) #10 x 3/4" Hex Head Drill Point Screws (G). Take care not to strip the threads while installing. If Angle Braces (B) land over a wire passage hole in the wall frame's horizontal rails, (2) #10 x 3/4" Hex Head Drill Point Screws (G) are to be used in the outboard holes on the Angle Brace (B).

Note:

The position of the Aluminum Studs (A) must correspond to the 16" to 24" spacing required to install your TV mounting bracket. If electrical outlets are to be installed to adjacent wall frame uprights, ensure there is at least 4" between the wall frame uprights and the Aluminum Studs (A) being installed. Wall frame gussets may be removed if they interfere with the Aluminum Studs (A) or their Angle Braces (B).



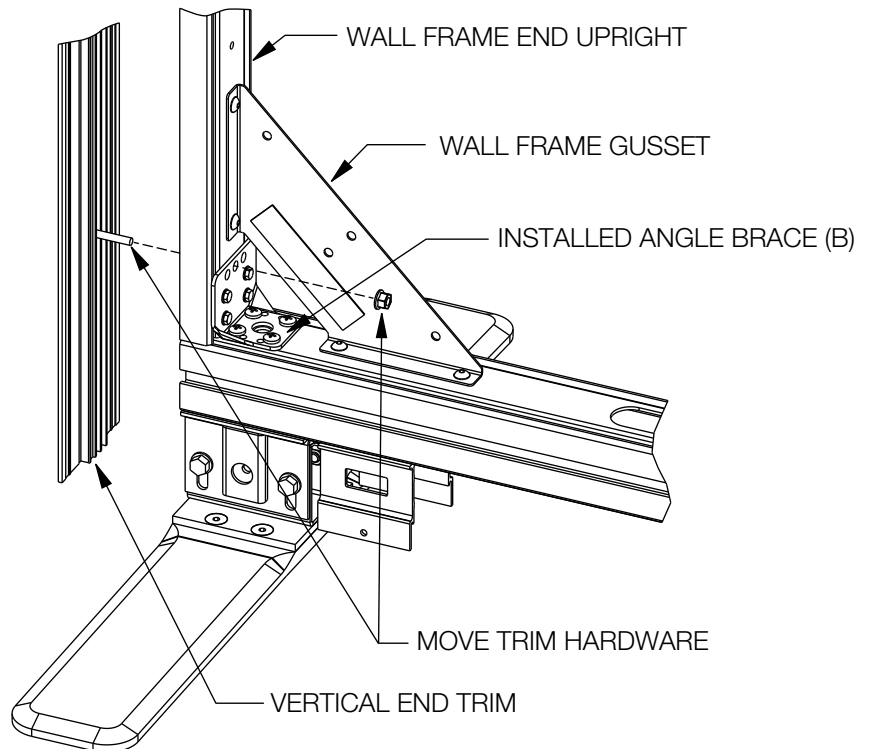
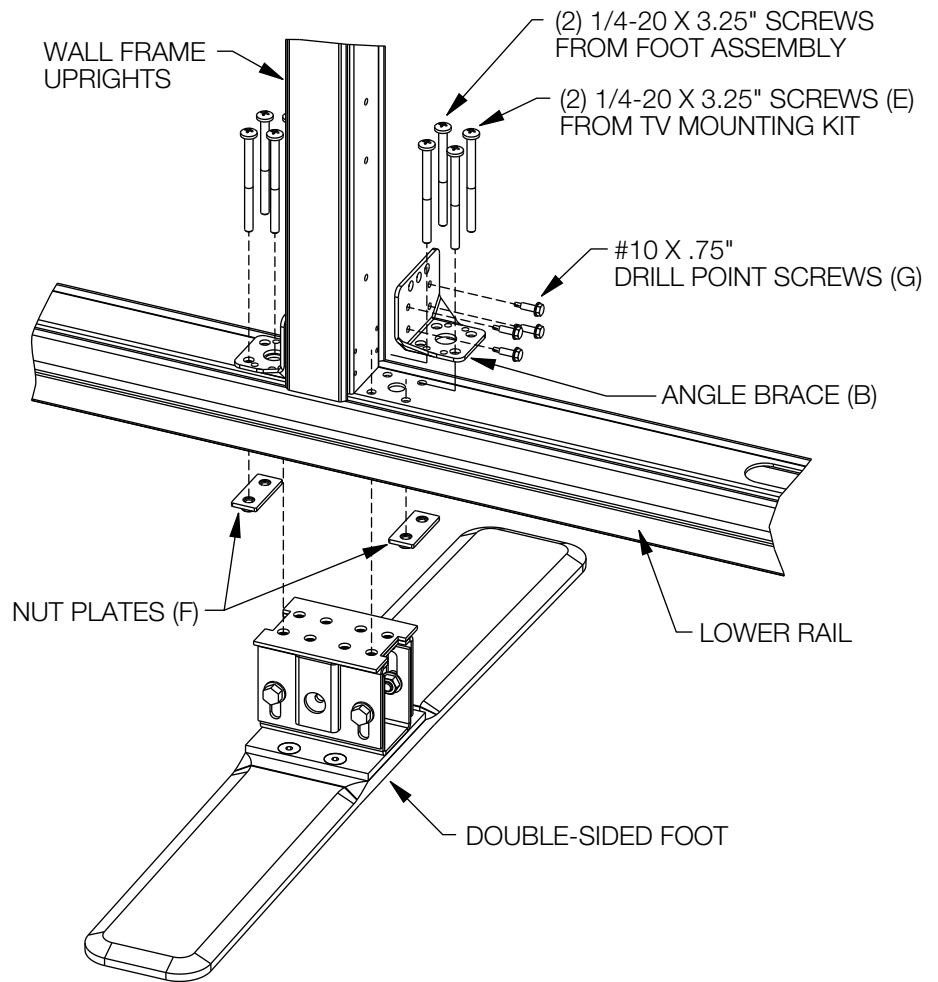
Rockwell Unscripted® Creative Wall® Install Instructions

TV Mounting

5. The required feet adjacent to the TV location must be installed using the Angle Braces (B) provided with the TV mounting kit. Install each Angle Brace (B) to the lower horizontal rail using the (2) 1/4-20 x 3-1/4" Pan Head Screws mounting the foot. Use (2) additional 1/4-20 x 3-1/4" Pan Head Screw (E) and (1) Nut Plate (F) provided for each brace. Attach each Angle Brace (B) to the wall frame's uprights using (4) #10 x 3/4" Hex Head Drill-Point Screws (G).

Note:

If a foot is installed at the end of a run of walls, only (1) Angle Brace (B) is required at the end upright. In this situation the lower screw mounting the vertical end trim to the wall frame must be shifted to the lower screw location of the wall frame gusset. This hole will need to be enlarged to 9/32" (.281") diameter and drilled through the wall frame end upright.



Rockwell Unscripted® Creative Wall® Install Instructions

TV Mounting

6. Measure and record the locations of the Aluminum Studs (A) or wall frame uprights being used to mount your TV bracket and then install the vertical surfaces to the wall frame.

Note:

The Aluminum Studs (A) and wall frame Uprights will be covered by the vertical surfaces. It is critical that locations be accurately referenced so that the screws holding your TV bracket to the wall properly engage when installing your TV bracket.

7. Mark the appropriate screw locations for your TV mounting bracket on the vertical surface. Carefully cut 1" round or square clearance holes through the vertical surface at these screw positions.

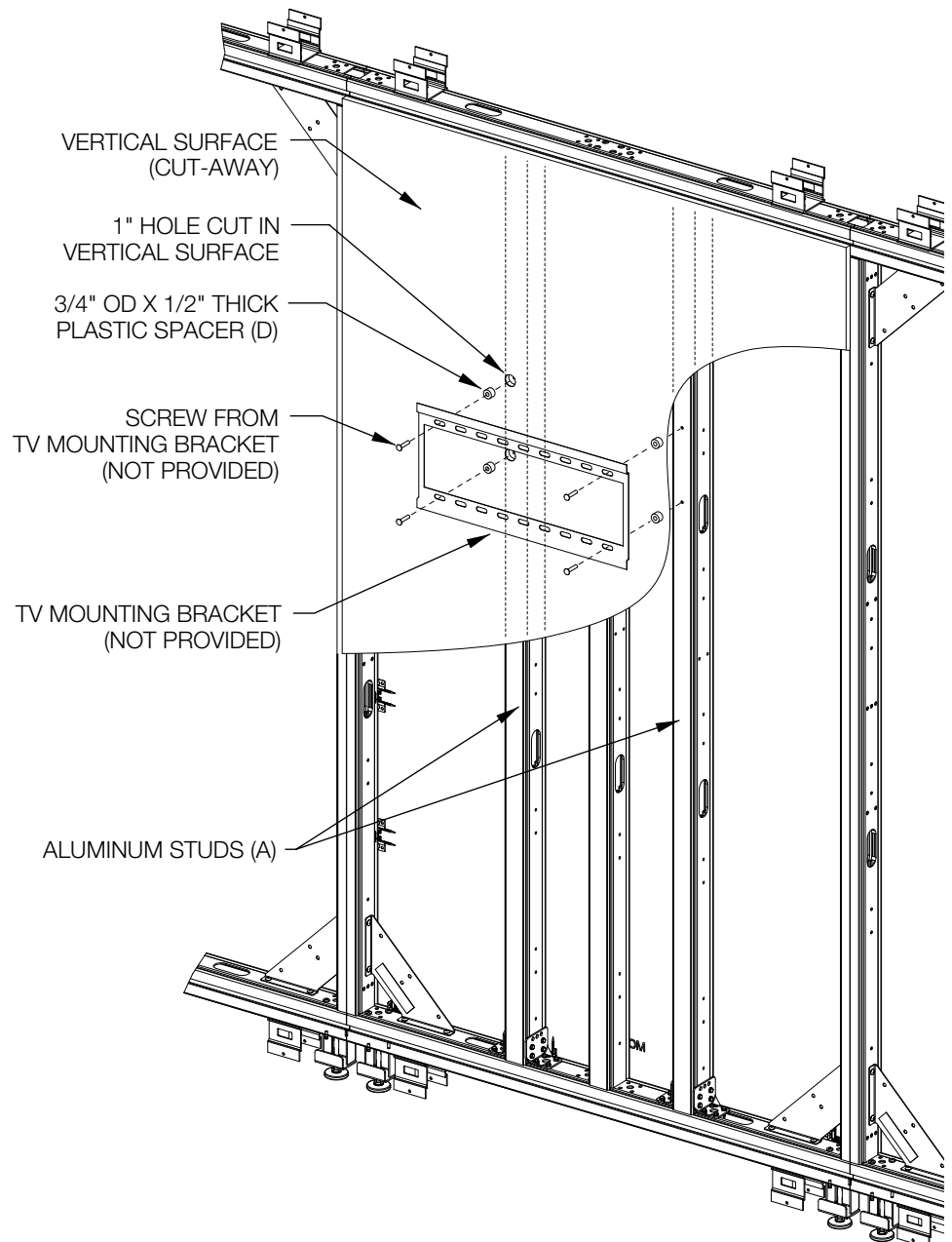
Suggestions:

In some cases it may be easier to remove the vertical surface and work from the back side. A small hole drilled through the vertical surface can help transfer the screw locations from the front to the back of the surface. Take care when cutting through fabric surfaces.

Note:

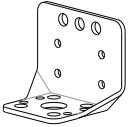


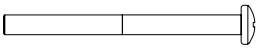

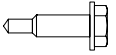
When mounting to narrower wall frame uprights at the junction of 2 wall frames, the screw position must be $\frac{1}{2}$ " to either side of the centerline gap between the narrow uprights. Ensure that the screws engage into only one of the uprights. Never install a screw at the joint between two 1" end uprights.

8. Position the (4) $\frac{3}{4}$ " Dia. X $\frac{1}{2}$ " Thick Plastic Spacer (H) in the holes drilled in step 7. These spacers must always be used to bridge the $\frac{1}{2}$ " thickness of the vertical surfaces. Follow the instructions for your TV bracket and use the hardware provided with your TV mounting bracket. Never use hardware smaller than what is provided with your TV mounting bracket.
9. Ensure that the TV mounting bracket is securely installed before mounting the TV.



Rockwell Unscripted® Creative Wall® Replacement Parts

TV Mounting

Description	Reference*	Replacement Pattern Number
Upright angle brace 	6AJ4133	KR6AJ4133 HLKR6AJ4133 24-Response Includes: 6AJ4133 - qty 1 (angle brace) (Total required per assy = 12 braces)
Screw, pan head, phillips drive, thread forming, 1/4-20 x .5", black 	6AJ4109	KR6AJ4109 HLKR6AJ4109 24-Response Includes: 6AJ4109 - qty 1 (Total required per assy = 16)
Spacer, tv mount 	6AJ4120	KR6AJ4120 HLKR6AJ4120 24-Response Includes: 6AJ4109 - qty 1 (Total required per assy = 4)
Screw, pan head phillips drive, 1/4-20 x 3.25", black, with lockpatch 	6AJ4022	KR6AJ4022 HLKR6AJ4022 24-Response Includes: 6AJ4022 - qty 1 (Total required per assy = 8)
1/4-20 nut plate 	6AJ4053	KR6AJ4053 HLKR6AJ4053 24-Response Includes: 6AJ4053 - qty 1 (Total required per assy = 4)
Screw, self drilling, hex washer head, #10 x 3/4", zinc 	6AJ5018	KR6AJ5018 HLKR6AJ5018 24-Response Includes: 6AJ5018 - qty 1 (Total required per assy = 48)

General Notes

1. "HL" and "ZZ" prefix in pattern number denotes 24-Response. Part will be shipped within 24-hours via ground service, pending availability; quantity limits and higher pricing apply.
2. See the product [Price Lists on www.Knoll.com](http://www.Knoll.com) for material, textile, and finish options denoted by ().
3. * Not offered as an orderable service part number.

Rockwell Unscripted® Creative Wall® Install Instructions

Sliding Conversation Board

Pattern Numbers Represented:

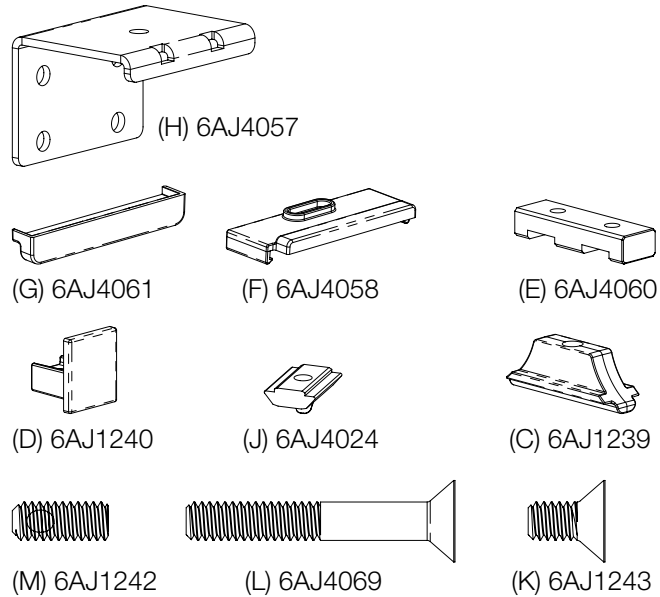
Unscripted Borders Conversation Boards Sliding, **UBCBS**__
 Unscripted Borders Rolling Track, **UBRT**__

Tools Needed:

5/32" & 1/8" Allen Wrenches

Part List:

- (A) Rolling Marker Board Assembly
- (B) Rolling Track (1 per board if continuous, 2 if spliced)
- (C) Track Stop (2 per board)
- (D) Track End Cap (2 per track assy)
- (E) Connecting Link (1 per spliced track assy)
- (F) Antidislodgement clip (1 per top bracket)
- (G) Glide boot (1 per top bracket)
- (H) Top Bracket (2 per assy)
- (J) Rail Nut (qty varies based on track length)
- (K) 1/4-20 x 1/2" Flat Head Cap Screw
 (2 per connecting link + 2 per track end cap)
- (L) 1/4-20 x 1 3/4" Flat Head Cap Screw (1 per rail nut)
- (M) 1/4-20 x 3/4" Set Screw (1 per track stop)



STEP:

Note:

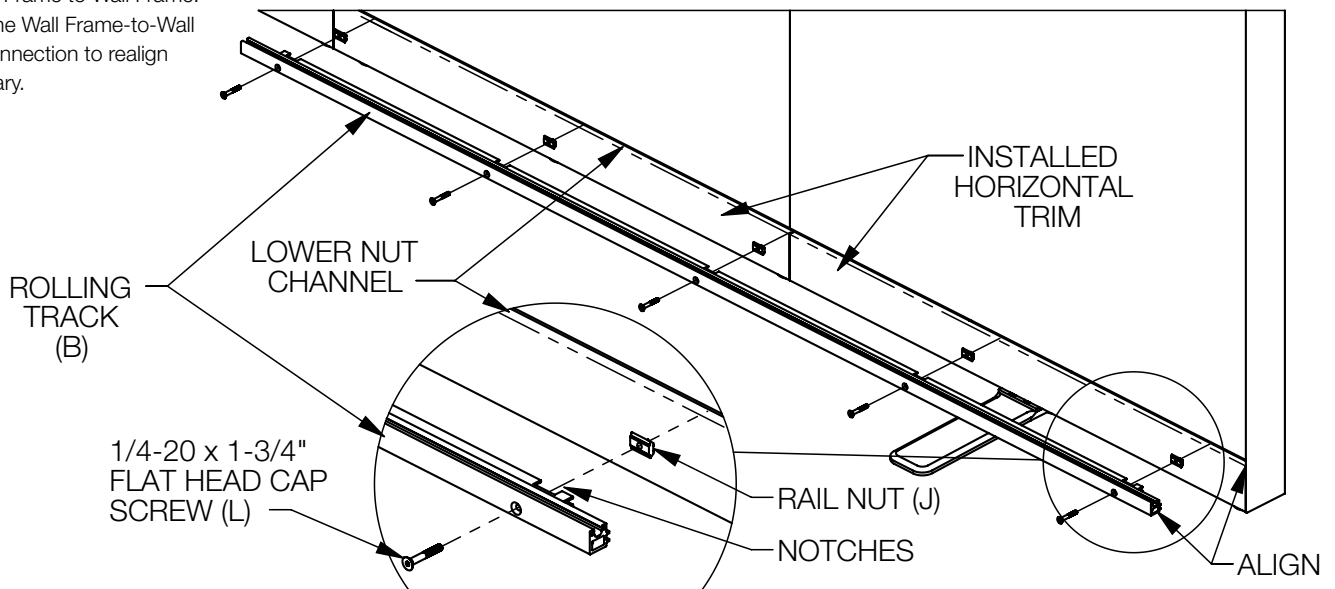
- The Marker Board and Frame comes fully assembled. Installation involves the lower track components and placement of the Rolling Marker Board Assembly (A).
- All Lower Horizontal Trims must be installed before the Rolling Marker Board is installed.
- It is critical that the Upper Nut Channels of abutting Wall Frames be precisely aligned so that the Top Brackets (H) on the Rolling Marker Board Assembly (A) slide smoothly from Wall Frame to Wall Frame. Loosen the Wall Frame-to-Wall Frame connection to realign if necessary.

1. Determine the length and position of the Rolling Track (B) to be installed. Longer track configurations may require more than one Rolling Track (B) segment to be installed end-to-end.

2. Install Rail Nuts (J) into the Lower Nut Channel of the Wall Frame using the notches in the Rolling Track (B) as a guide for positioning.

Note:

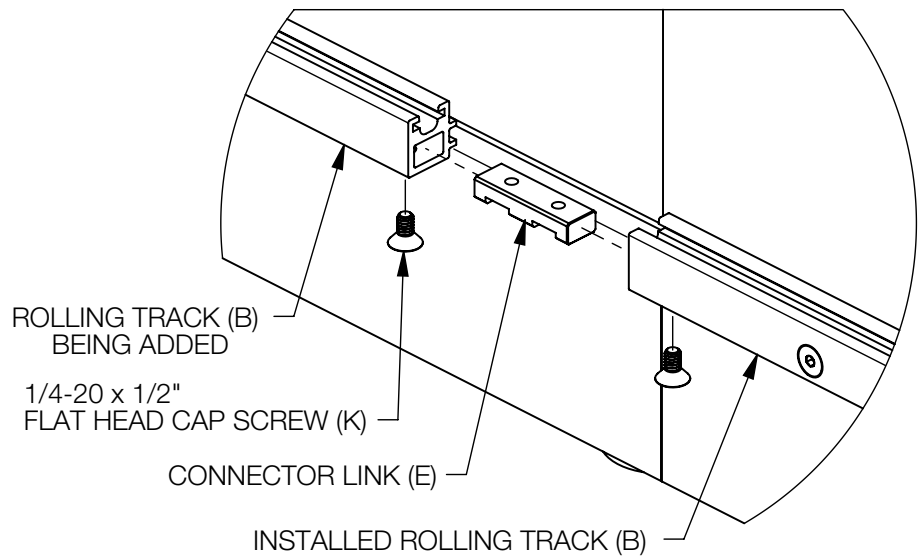
The Rolling Track (B) generally aligns with the end of the Wall Frame.



Rockwell Unscripted® Creative Wall® Install Instructions

Sliding Conversation Board

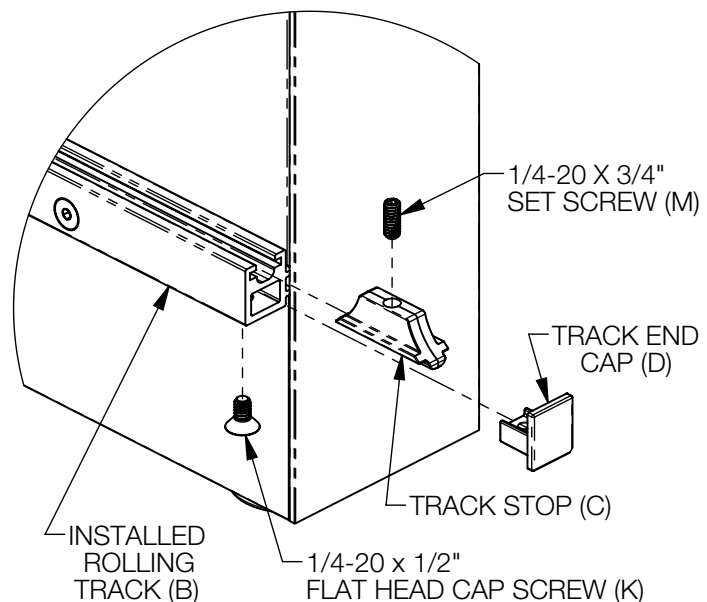
3. Ensure that all the Horizontal Trims below the lower nut channel are installed before installing the Rolling Track (B). Position the Rolling Track (B) into the Lower Nut Channel of the Wall Frame, capturing the Rail Nuts (J) within the notches. Install 1/4-20 x 1 1/4" Flat Head Cap Screws (L) through the face of the Rolling Track (B) and into each Rail Nut (J).
4. If the Rolling Track (B) for the Roller Marker Board calls for multiple segments of Rolling Track (B), insert the Connector Link (E) into the end of the first Rolling Track (B), notch side down, and install (1) 1/4-20 x 1/2" Flat Head Cap Screw (K) through the bottom of the track. Proceed with installing the next length of Rolling Track (B) ensuring that the Connecting Link (E) engages into the next Rolling Track (B) and (1) 1/4-20 x 1/2" Flat Head Cap Screw (K) is installed through the bottom of the track and into the Connector Link (E). Rolling Tracks (B) must align and join tightly. Repeat this procedure for any additional segments of Rolling Track (B) needed.



5. Install (2) Track Stops (C), one in each end of the Rolling Track (B) or run of Rolling Tracks (B). Install (1) 1/4-20 x 3/4" Set Screw (M) into the top of each Track Stop (C) but do not tighten.

Note:

Multiple pairs of Track Stops (C) can be installed if multiple Roller Marker Board Assemblies (A) are to share a single run of Rolling Tracks (B) and specifications call for multiple Track Stops (C).



Rockwell Unscripted® Creative Wall® Install Instructions

Sliding Conversation Board

6. Install (2) Rolling Track End Caps (D), one in each end of the Rolling Track (B) or run of Rolling Tracks (B). At each Rolling Track End Cap (D), Install (1) ¼-20 x ½” Flat Head Cap Screw (K) through the bottom of the Rolling Track (B) and into the web on the Rolling Track End Cap (D).
7. While holding the top of the Rolling Marker Board slightly away from the Wall, engage the rollers on the bottom back of the Rolling Marker Board Assembly (A) into the groove of the Rolling Track (B).
8. Tip the Rolling Marker Board Assembly (A) up so that the Top Brackets (H) engage into the Upper Nut Channel of the Wall Frame. The Rolling Marker Board Assembly (A) must be lifted slightly and the Anti-Dislodgement Clips (F) slid against the back of the Rolling Marker Board (A) during installation.

Note:
Vertical Surfaces must first be installed to the Wall Frame before installing the Rolling Marker Board Assembly (A). Ensure that the Top Brackets (H) have Glide Boots (G) and Anti-Dislodgement Clips (F).

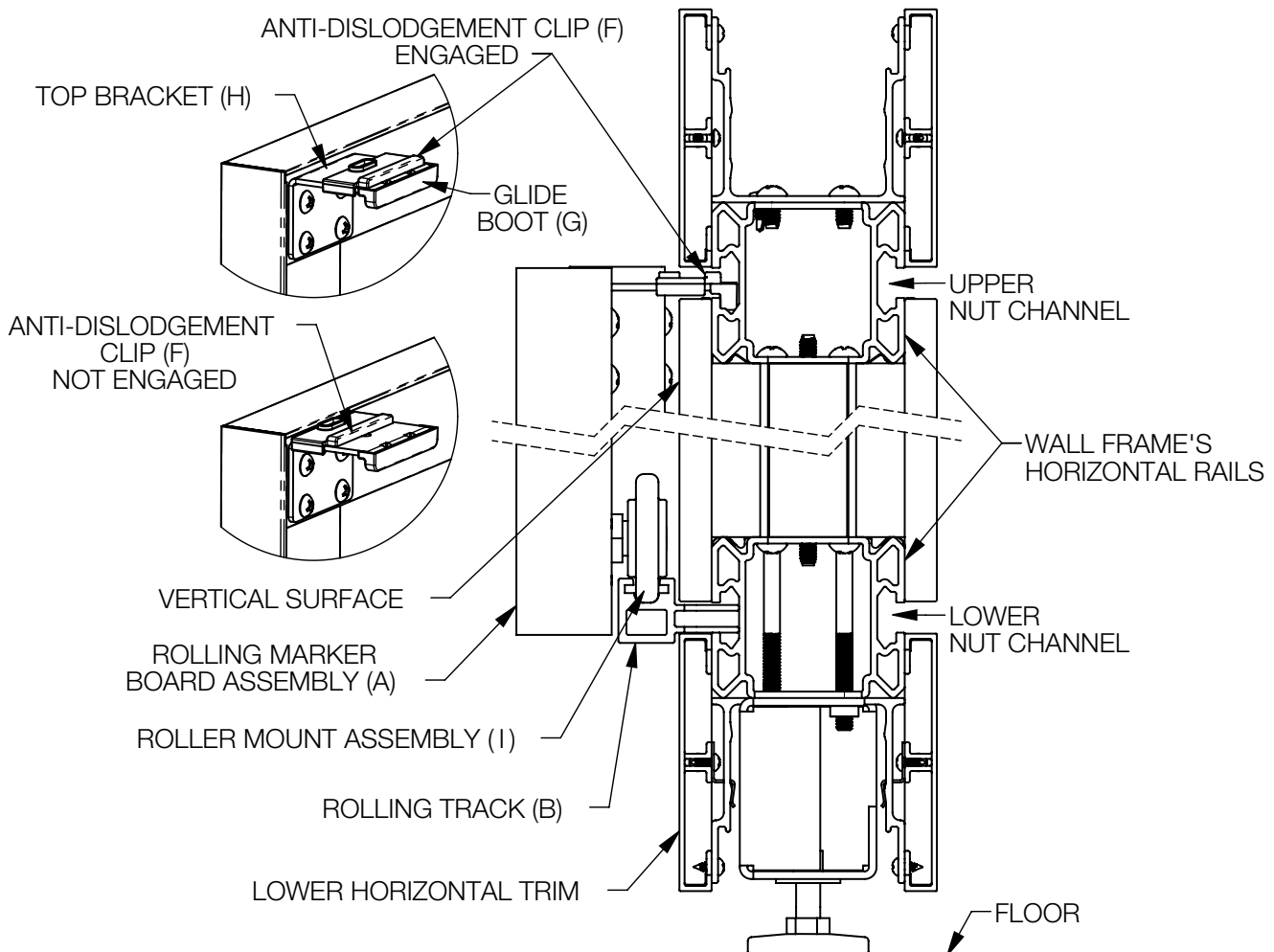
9. Slide Anti-Dislodgement Clips (F) towards the Wall Frame and into the Upper Nut Channel until clicks are heard.
10. Ensure that the Rolling Marker Board (B) rolls freely and that the Anti-Dislodgement Clips (F) are fully engaged.

Note:
If the Rolling Marker Board (B) does not roll freely, try adjusting the vertical position of the Top Mounting Brackets (H) to ensure that they slide freely. The holes in the Top Mounting Bracket (H) are slotted such that the screw attaching it to the Rolling Marker Board Assembly (A) can be loosened to make this

adjustment. Ensure that the screws are retightened and the Anti-Dislodgement Clips reengaged when repeating Steps 7 through 9.

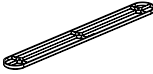
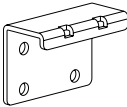
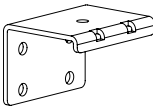



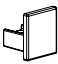
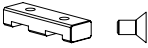
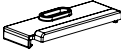

11. Position the Track Stops (C) at the desired locations and tighten the ¼-20 x ¾” Set Screws (M) installed in Step 5. There must always be a Track Stop (C) at each end of a run of Rolling Tracks (B). The Track End Caps (D) cannot be used as a Track Stops.

Note:
Track Stops (C) must be positioned so that the Rolling Marker Board cannot extend beyond the end of the Wall or hit other features such as the Wall’s Vertical End Trim. If multiple Rolling Marker Boards share a single run of Rolling Tracks and multiple sets of Track Stops are specified, they should be positioned such that there is a minimum of 1” between adjacent Rolling Marker Boards.



Rockwell Unscripted® Creative Wall® Replacement Parts



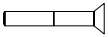
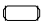
Sliding Conversation Board

Description	Reference*	Replacement Pattern Number
 <p>Rub strip set, hanging board</p>	<p>6AJ403752</p> <p>Not shown in install instructions</p>	<p>KR6AJ403752SET</p> <p>Includes: 6AJ403752 - qty 2 (Total required per hanging board = 1 set)</p>
 <p>Top bracket set, hanging board</p>	<p>6AJ404440</p> <p>Not shown in install instructions</p>	<p>KR6AJ404440SET</p> <p>Includes: 6AJ404440 - qty 2 (Total required per hanging board = 1 set)</p>
 <p>Top bracket set, sliding board</p>	<p>6AJ4057</p>	<p>KR6AJ405740SET HLKR6AJ405740SET 24-Response</p> <p>Includes: 6AJ405740 - qty 2 (Total required per sliding board = 1 set)</p>
 <p>Retaining ring .375" ID x .025", thick, stainless steel, sliding board</p>	<p>6AJ4071SS</p> <p>Not shown in install instructions</p>	<p>KR6AJ4071SS HLKR6AJ4071SS 24-Response</p> <p>Includes: 6AJ4071SS - qty 1 (Total required per sliding board = 2)</p>
 <p>Track roller, sliding board</p>	<p>6AJ405552</p> <p>Not shown in install instructions</p>	<p>KR6AJ405552 HLKR6AJ405552 24-Response</p> <p>Includes: 6AJ405552 - qty 1 (Total required per sliding board = 2)</p>
 <p>Rolling access track stop, sliding board</p>	<p>6AJ1239</p>	<p>KR6AJ1239()</p> <p>Includes: 6AJ1239() - qty 1 (Total required per sliding track board = 2)</p>
 <p>Track end cap, sliding board</p>	<p>6AJ1240</p>	<p>KR6AJ1240()</p> <p>Includes: 6AJ1240() - qty 1 (Total required per sliding track assy = 2)</p>
 <p>Connecting link assembly, sliding board (for wider widths spliced 2 "spliced" tracks)</p>	<p>6AJ4060</p>	<p>KR6AJ4059 HLKR6AJ4059 24-Response</p> <p>Includes: 6AJ4059 - qty 1 6AJ4060 - (1 bracket) 6AJ1243 - (2 screws) (Total required per spliced track assy = 1 assy)</p>
 <p>Anti-dislodgement clip, sliding board</p>	<p>6AJ4058</p>	<p>KR6AJ405852</p> <p>Includes: 6AJ405852 - qty 1 (Total required per sliding board = 2)</p>
 <p>Glide boot</p>	<p>6AJ4061</p>	<p>KR6AJ406152</p> <p>Includes: 6AJ406152 - qty 1 (Total required per board = 2)</p>

General Notes

1. "HL" and "ZZ" prefix in pattern number denotes 24-Response. Part will be shipped within 24-hours via ground service, pending availability; quantity limits and higher pricing apply.
2. See the product [Price Lists on www.Knoll.com](http://www.Knoll.com) for material, textile, and finish options denoted by ().
3. * Not offered as an orderable service part number.

Rockwell Unscripted® Creative Wall® Replacement Parts Sliding Conversation Board (cont.)

Description	Reference*	Replacement Pattern Number
 <p>Spring slot rail nut, 1/4-20, black, sliding board track</p>	6AJ4024	KR6AJ4024 HLKR6AJ4024 24-Response Includes: 6AJ4024 - qty 1 (See following table for total qty required)
 <p>Screw, flat head, socket cap, 1/4-20 x .5", black, sliding board</p>	6AJ1243	KR6AJ1243 HLKR6AJ1243 24-Response Includes: 6AJ1243 - qty 1 (Total required per track end cap = 1) (Total required per track connecting link = 2)
 <p>Screw, flat head, socket cap, 1/4-20 x 1.75", black or zinc, with lockpatch, sliding board track</p>	6AJ4069	KR6AJ4069() HLKR6AJ4069() 24-Response Includes: 6AJ4069() - qty 1 (See following table for total qty required)
 <p>Set screw, 1/4-20 x .75", black, with lockpatch, sliding board track</p>	6AJ1242	KR6AJ1242 HLKR6AJ1242 24-Response Includes: 6AJ1242 - qty 1 (Total required per board = 2)

Hardware quantity for Sliding Board Track width			
Patterns	Widths	Total quantity for sliding board track nut and screw	
UBRT (72 - 144) Sliding track assemblies		6AJ4024 (nut)	6AJ4069 (screw)
	72" w - 84" w	5	5
	90" w - 108" w	6	6
	114" w - 138" w	8	8
	144" w	10	10

General Notes

1. "HL" and "ZZ" prefix in pattern number denotes 24-Response. Part will be shipped within 24-hours via ground service, pending availability; quantity limits and higher pricing apply.
2. See the product [Price Lists on www.Knoll.com](http://www.Knoll.com) for material, textile, and finish options denoted by ().
3. * Not offered as an orderable service part number.

Rockwell Unscripted® Creative Wall® Install Instructions

Light Blocking Kit

Pattern Numbers Represented:

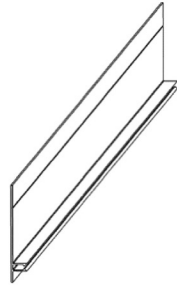
Unscripted Borders Light Blocking Kit, UBLB96

Tools Needed:

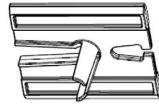
- Tape Measure
- Saw
- Mallet

Part List:

- (A) Mounting Plate
- (B) Skirt Extrusion
- (C) Connector
- (D) Foot Skirt
- (E) End Cap



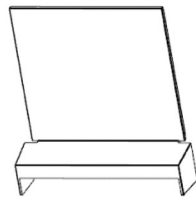
(B) 6AJ117400



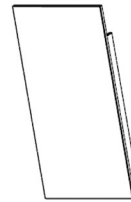
(A) 6AJ1176



(C) 6AJ1177



(D) 6AJ1173



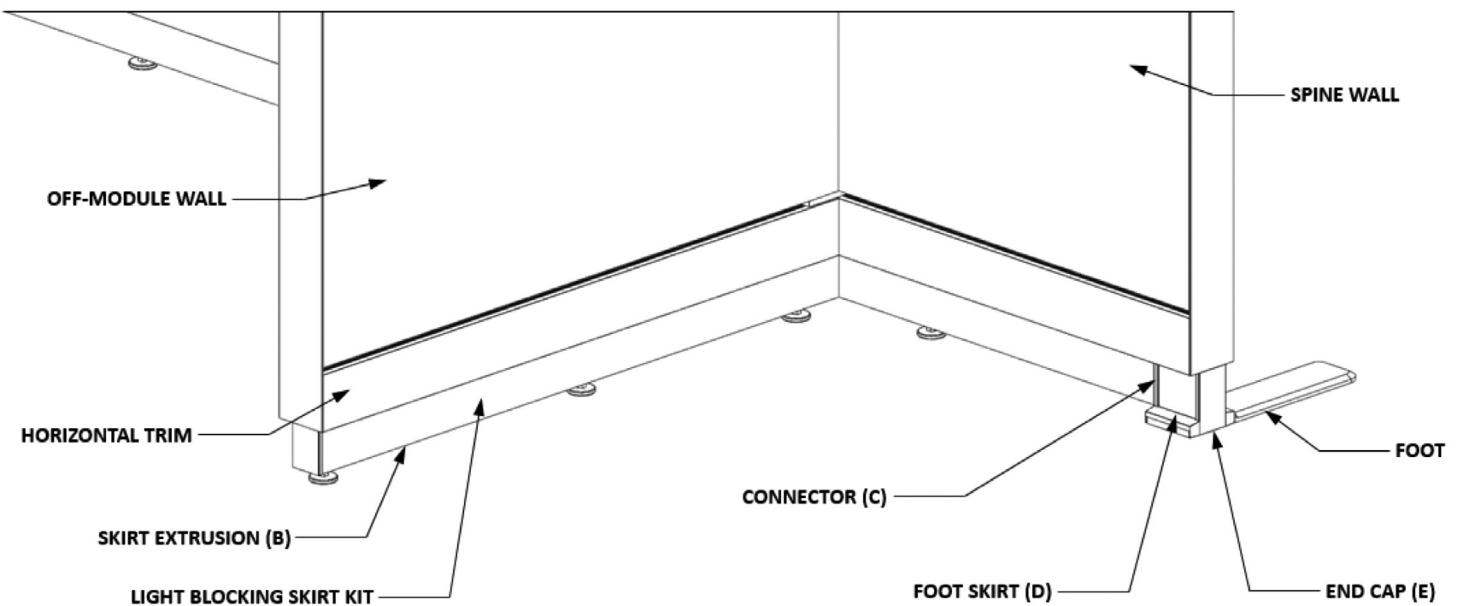
(E) 6AJ1175

STEP:

Note:

Light Blocking Skirt Kits are for use on completed Wall Frames with a clearance between the floor and Horizontal Trim of 2" to 4-3/8". Light Blocking Skirt Kits are designed to reduce this visible gap to 1". Skirts can be installed onto any section of Wall Frame, using 4 distinct Location Types:

- **Location 1: Skirt with Feet at each end of Wall Frame section.**
- **Location 2: Skirt with no Feet in Wall Frame section.**
- **Location 3: Skirt between Foot and Wall Frame end.**
- **Location 4: Skirt on Off-Module Wall section.**

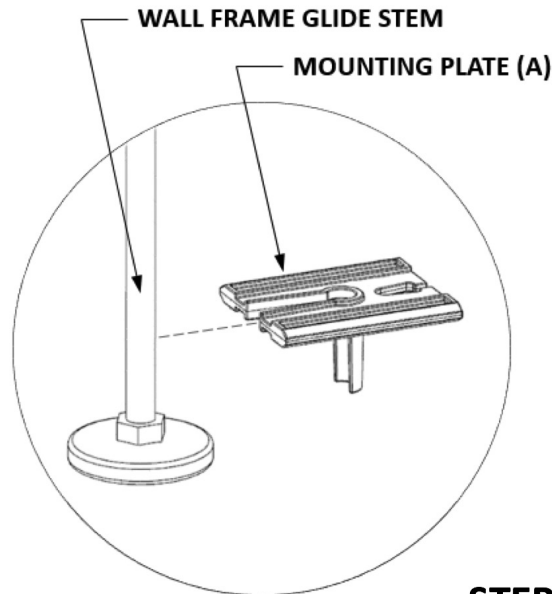


Rockwell Unscripted® Creative Wall® Install Instructions

Light Blocking Kit

Location 1: Skirt with Feet at each end of Wall Frame section.

1. Install a Mounting Plate (A) onto each of the Wall Frame Glides in the section where the skirt will be assembled. To install, snap the threaded stem of the Glide into the center slot on the Mounting Plate (A), and be sure the center column is pointed down.



STEP 1

2. Measure the width between the two Feet where the skirt is to be installed. If there are no feet, measure the width between vertical trims. If there is only one foot, measure the width between the foot and the vertical trim.
3. Cut the Skirt Extrusion (B) width to be **shorter/longer** (see below) than the measurement in Step 2.
 - a. **1/8" shorter** if between two feet
 - b. **1 1/8" shorter** if there are no feet
 - c. **5/8" shorter** if there is one foot and one vertical trim
 - d. **5/16" longer** if between spine wall and off-module wall

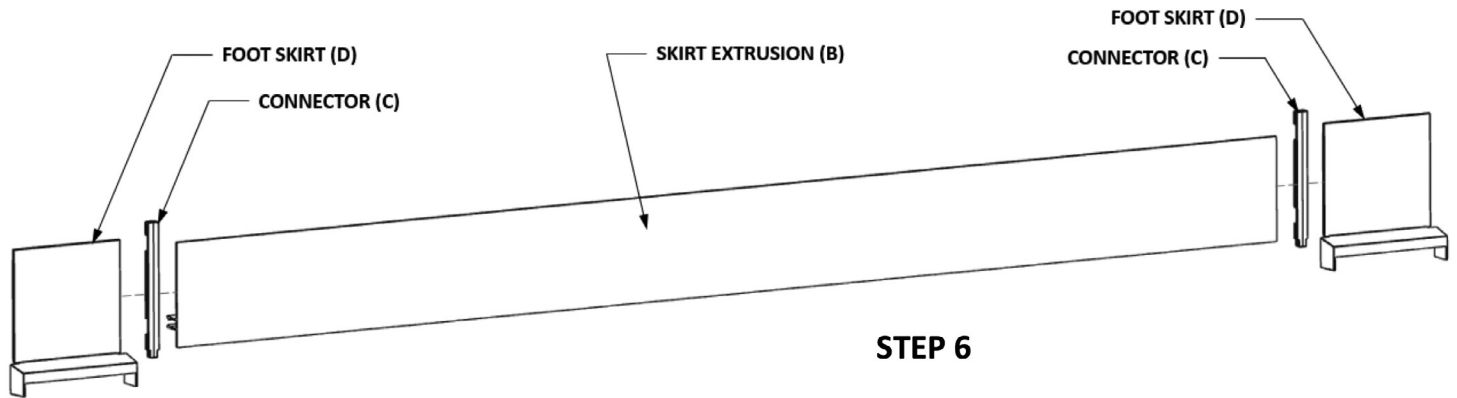
Note:
If needed, the Skirt Extrusion (B) can be extended beyond 8' by joining two pieces with a Connector (C).
4. Measure the height from the floor to the bottom of the Horizontal Trim on the Wall Frame.

Note:
Measure this height next to each Foot if the floor is not level with the Wall Frame, and use the smaller measurement.
5. Cut the height of the Skirt Extrusion (B) to be **7/8" smaller** than the measurement in Step 4.

Rockwell Unscripted® Creative Wall® Install Instructions

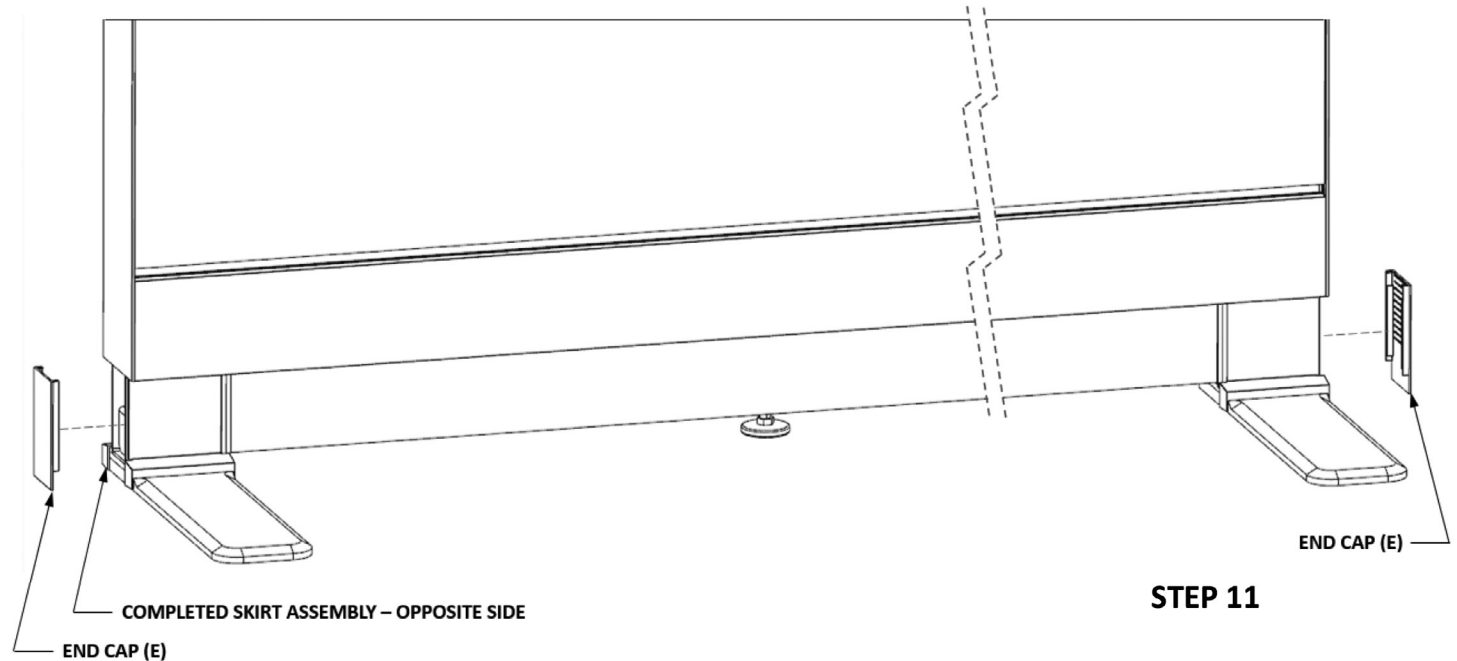
Light Blocking Kit

6. Assemble a Connector (C) and a Foot Skirt (D) on each end of the Skirt Extrusion (B). The parts are a tight fit, and should be pressed into place or tapped with a mallet.



7. Cut the Connectors (C) and Foot Skirts (D) along the top edge of the Skirt Extrusion (B), so they are the same height.

8. Install the skirt onto the Wall Frame. Make sure to align the Foot Skirts (D) with the Feet, and press the Skirt Extrusion (B) onto each of the Mounting Plates (A) until they snap into place.



9. If needed, repeat installation steps for the opposite side of the skirt on this Wall Frame section.

Note:

Both 1-sided and 2-sided Feet require a Foot Skirt (D) on both sides of the skirt.

10. If either of the Feet are positioned at the end of the Wall Frame, End Caps (E) must be prepared and installed here. With the End Cap Flange pointed down (when attached to foot skirt) or pointed up (when there is no foot), cut the End Cap (E) height to match the measurement from Step 4.

Note:

If no End Caps (E) are needed, proceed to the next Wall Frame Location Type which will attach to the Foot Skirt (D) here.

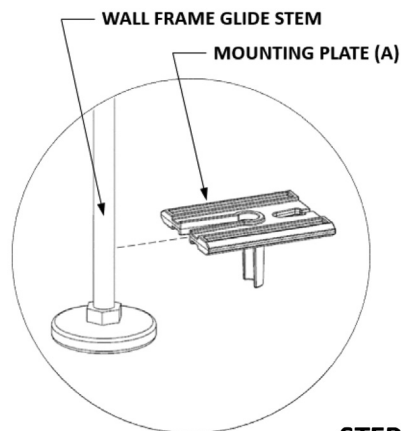
11. Install End Caps (E) by firmly pressing them onto the Foot Skirts (D) if there are feet. Otherwise, if no feet, press end caps onto skirt extrusions. (see photo under #8).

Rockwell Unscripted® Creative Wall® Install Instructions

Light Blocking Kit

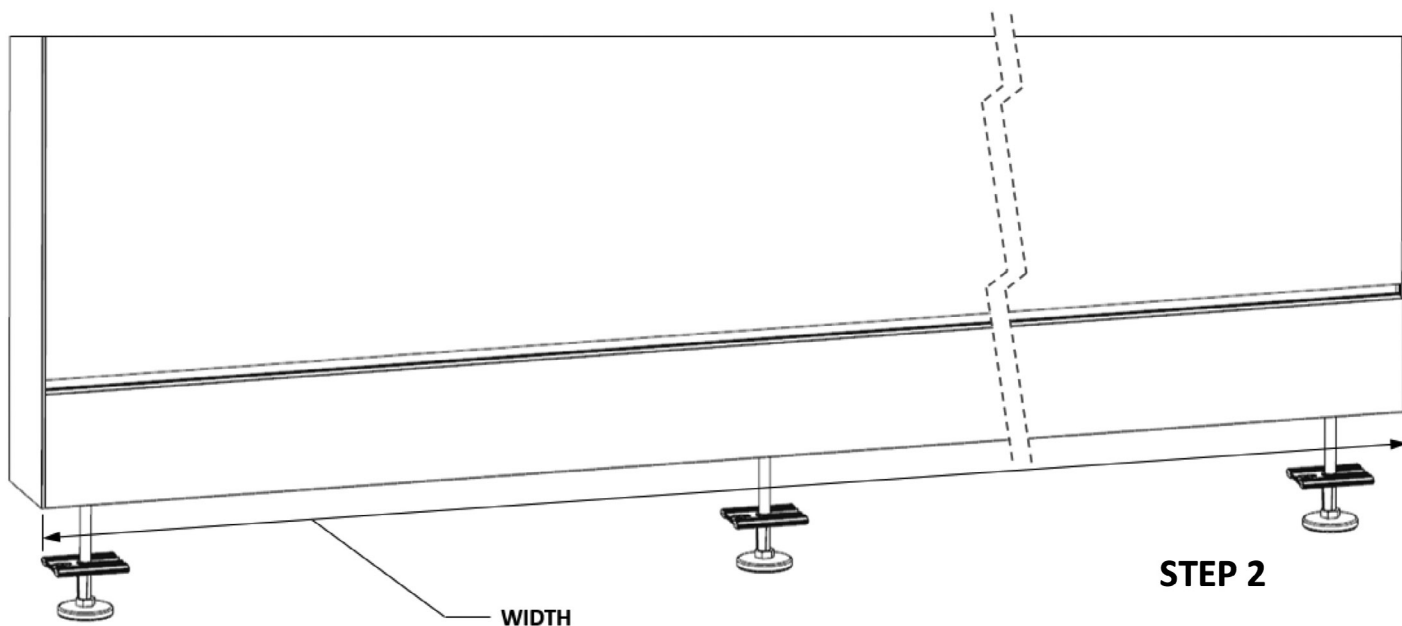
Location 2: Skirt with no Feet in Wall Frame section.

1. Install a Mounting Plate (A) onto each of the Wall Frame Glides in the section where the skirt will be assembled. To install, snap the threaded stem of the Glide into the center slot on the Mounting Plate (A), and be sure the center column is pointed down.



STEP 1

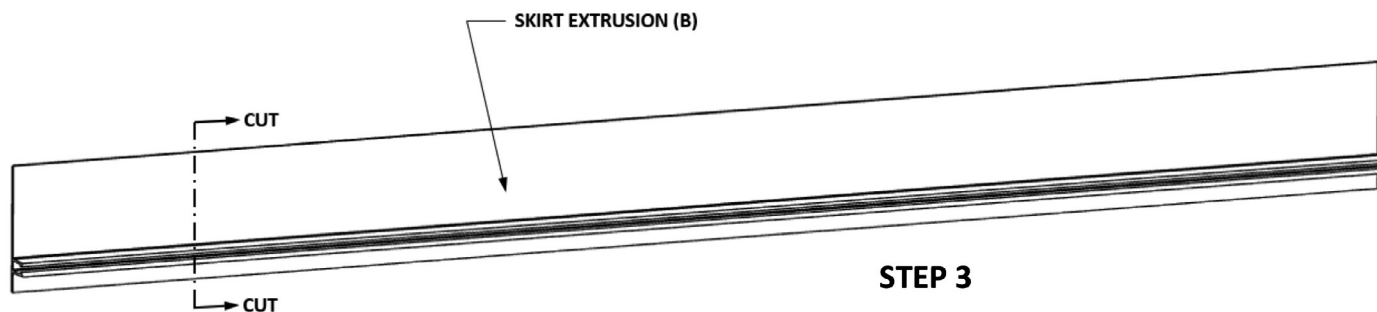
2. Measure the width from the outside ends of the Vertical End Trim.



STEP 2

3. Cut the Skirt Extrusion (B) width to be 1-1/8" shorter than the measurement in Step 2.

Note: If needed, the Skirt Extrusion (B) can be extended beyond 8' by joining two pieces with a Connector (C).



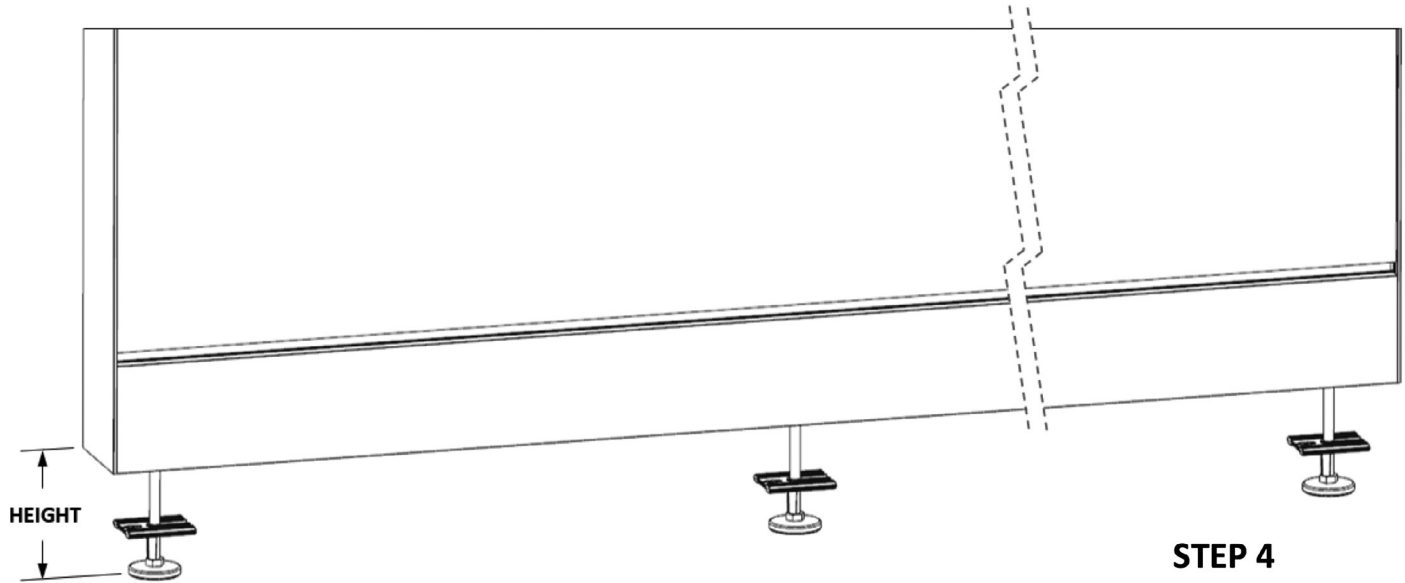
STEP 3

Rockwell Unscripted® Creative Wall® Install Instructions

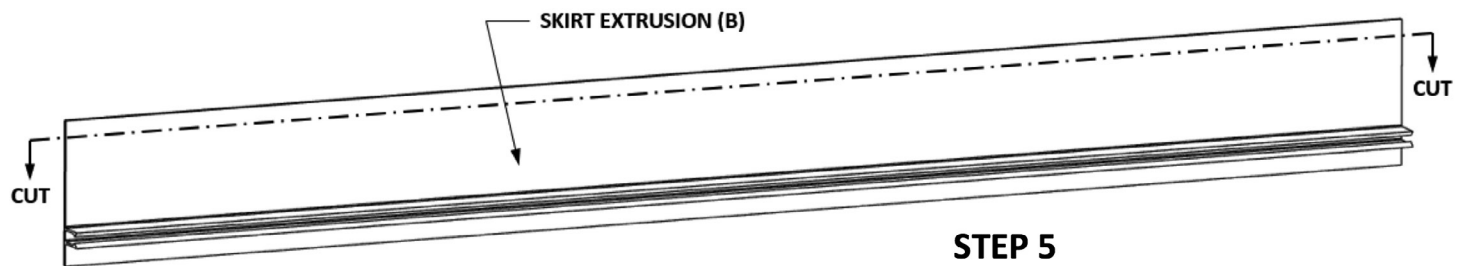
Light Blocking Kit

4. Measure the height from the floor to the bottom of the Horizontal Trim on the Wall Frame.

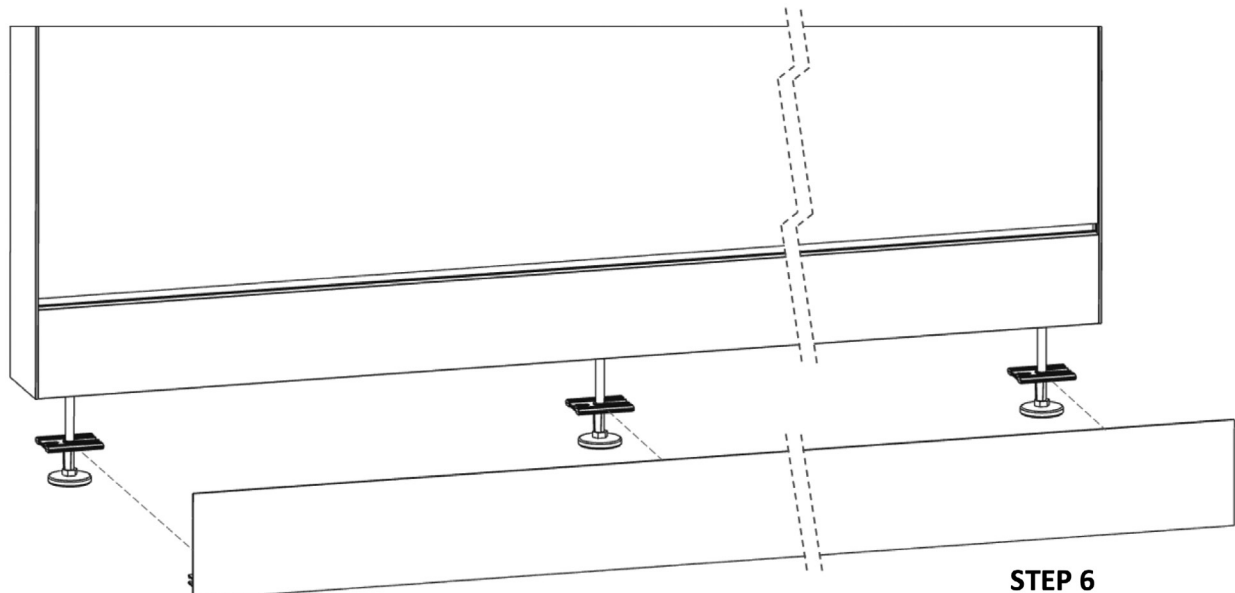
Note: Measure this height at each end if the floor is not level with the Wall Frame, and use the smaller measurement.



5. Cut the height of the Skirt Extrusion (B) to be 7/8" smaller than the measurement in Step 4.



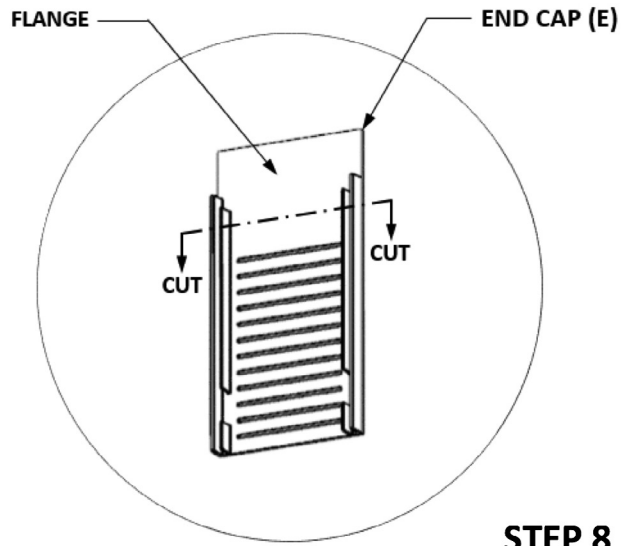
6. Install the Skirt Extrusion (B) centered onto the Wall Frame. Make sure to press the Skirt Extrusion (B) onto each of the Mounting Plates (A) until they snap into place.



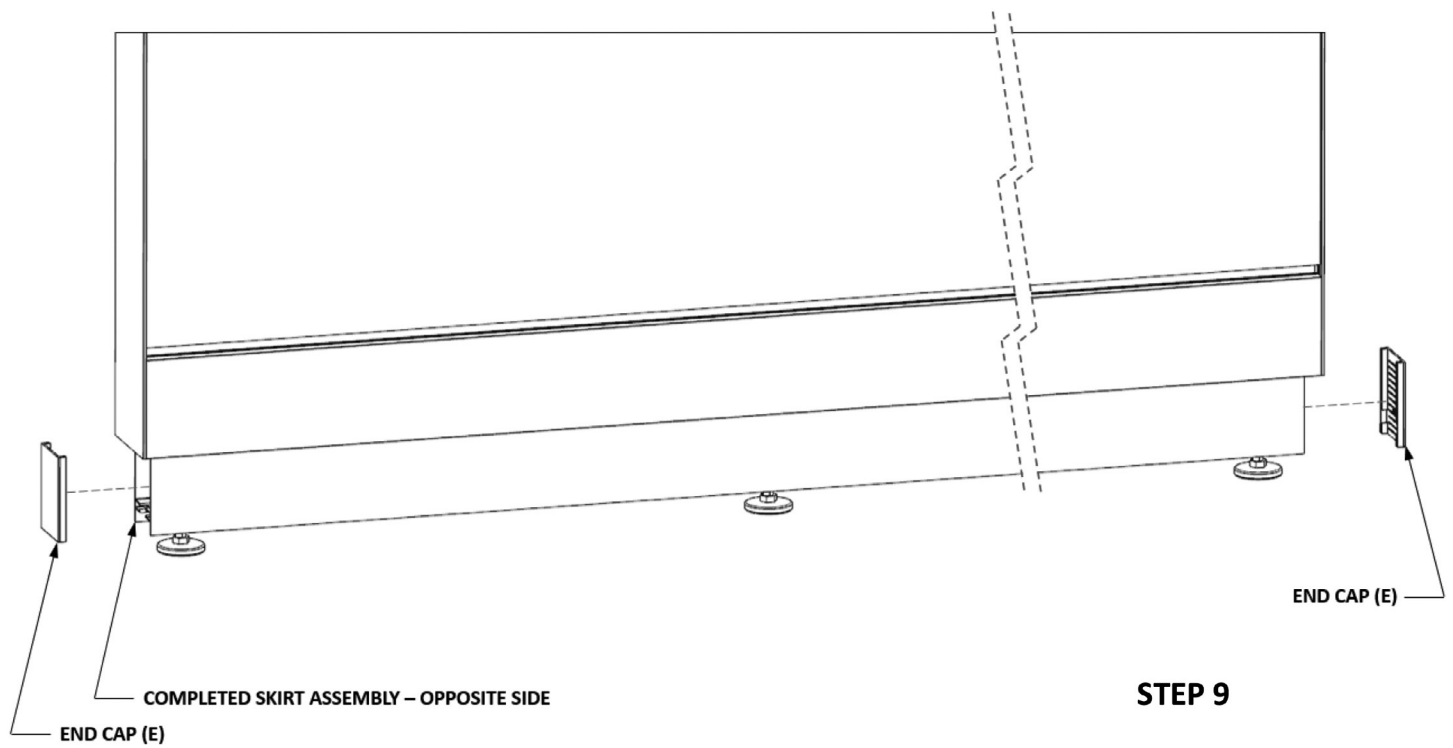
Rockwell Unscripted® Creative Wall® Install Instructions

Light Blocking Kit

7. If needed, repeat installation steps for the opposite side of the skirt on this Wall Frame section.
8. With the End Cap Flange pointed up, cut two End Cap (E) heights to match the Skirt Extrusion (B) height from Step 5.



9. Install End Caps (E) by firmly pressing them onto the Skirt Extrusions (B).

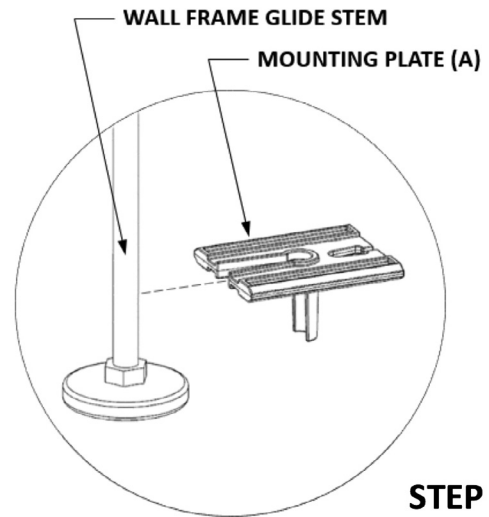


Rockwell Unscripted® Creative Wall® Install Instructions

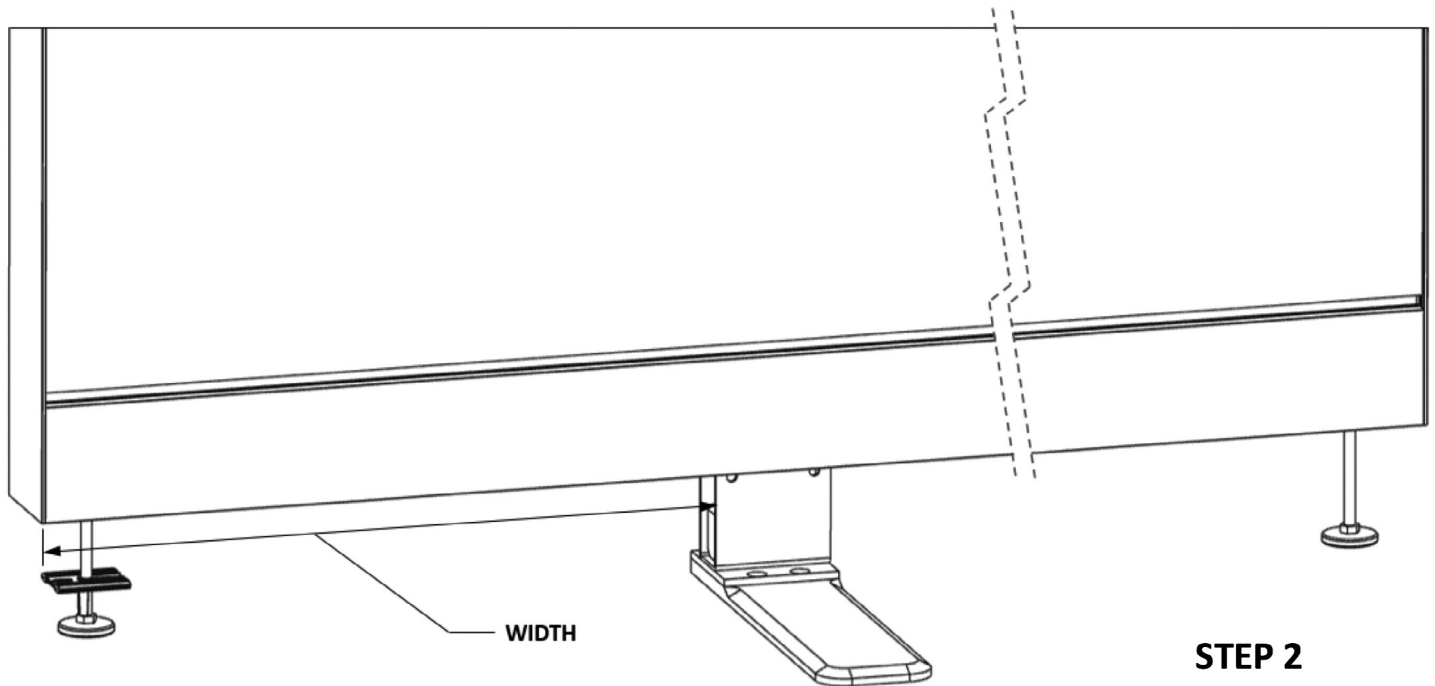
Light Blocking Kit

Location 3: Skirt between Foot and Wall Frame end.

1. Install a Mounting Plate (A) onto each of the Wall Frame Glides in the section where the skirt will be assembled. To install, snap the threaded stem of the Glide into the center slot on the Mounting Plate (A), and be sure the center column is pointed down.

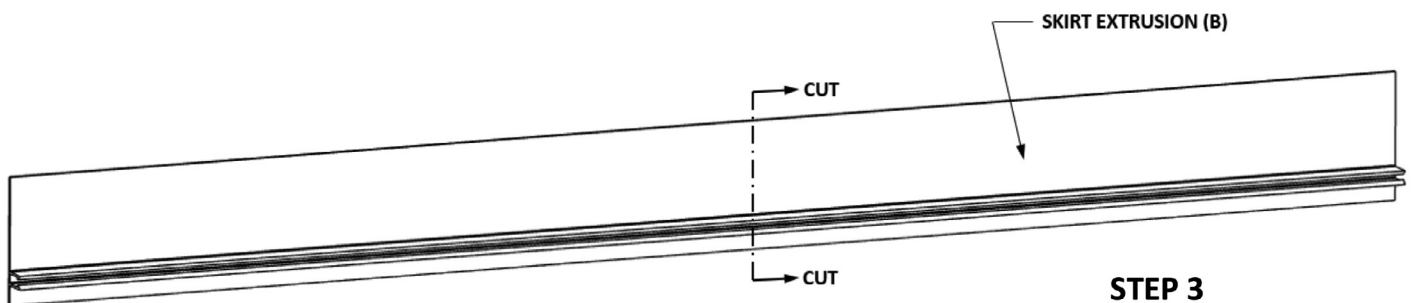


2. Measure the width from the outside of the Vertical End Trim to the Foot.



3. Cut the Skirt Extrusion (B) width to be 5/8" shorter than the measurement in Step 2.

Note: If needed, the Skirt Extrusion (B) can be extended beyond 8' by joining two pieces with a Connector (C).

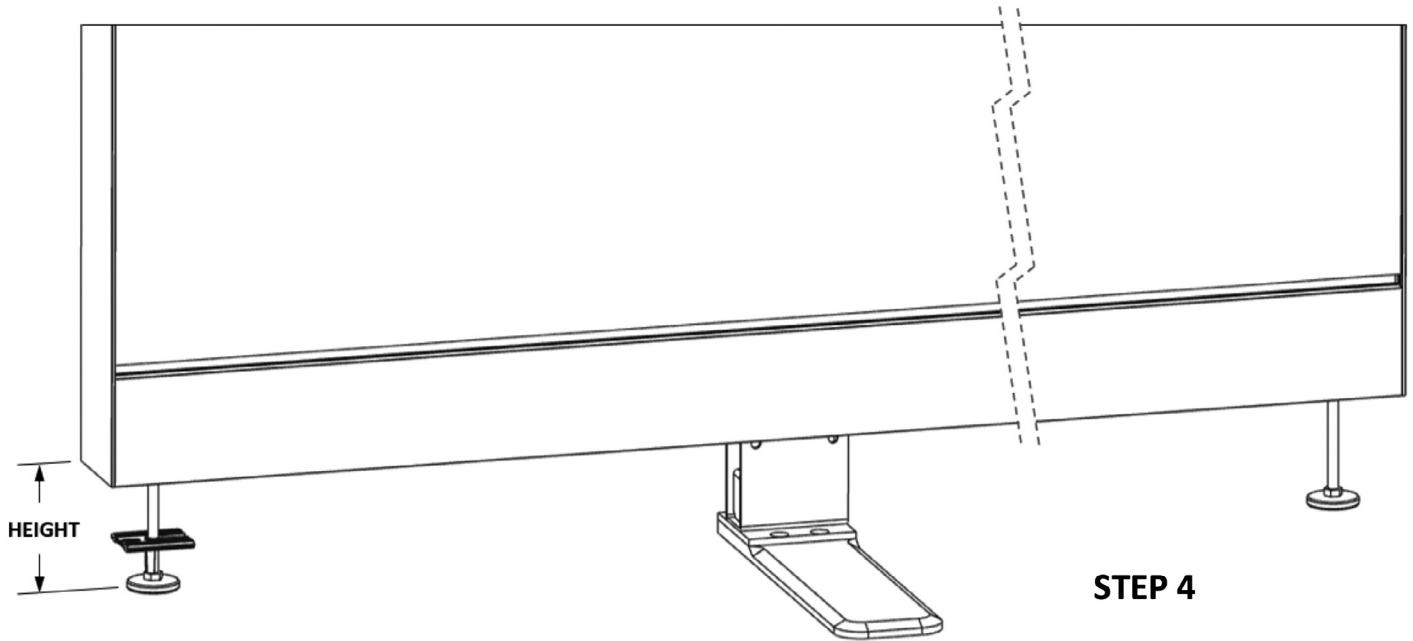


Rockwell Unscripted® Creative Wall® Install Instructions

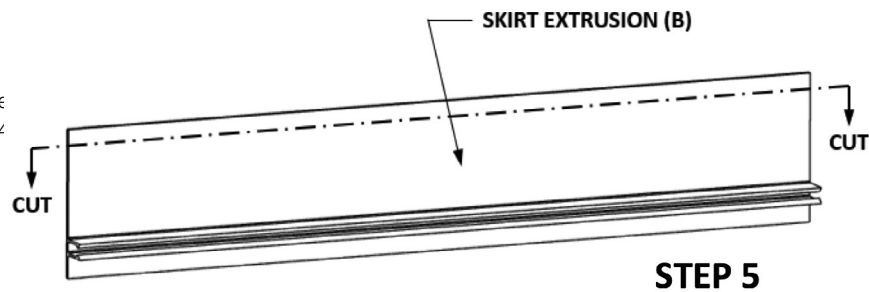
Light Blocking Kit

4. Measure the height from the floor to the bottom of the Horizontal Trim on the Wall Frame.

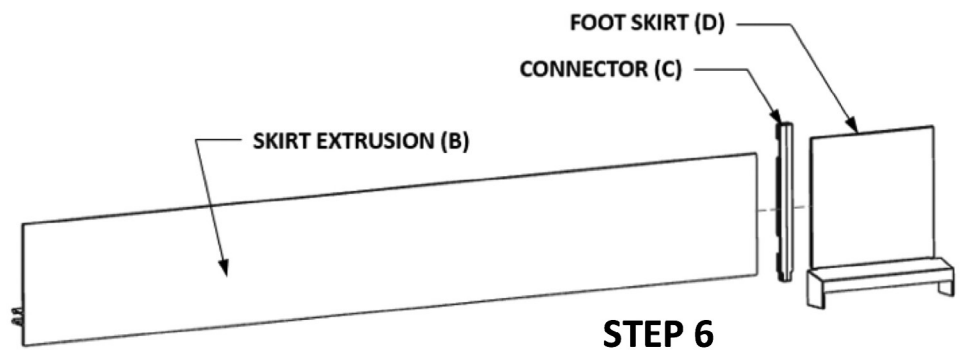
Note: Measure this height at each end if the floor is not level with the Wall Frame, and use the smaller measurement.



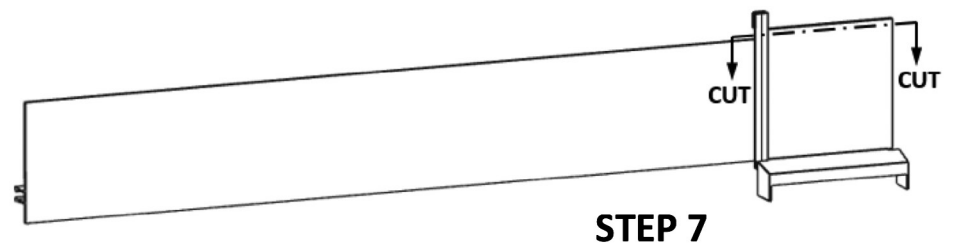
5. Cut the height of the Skirt Extrusion (B) to be 7/8" smaller than the measurement in Step 4



6. Assemble a Connector (C) and a Foot Skirt (D) on one end of the Skirt Extrusion (B). The parts are a tight fit, and should be pressed into place or tapped with a mallet.



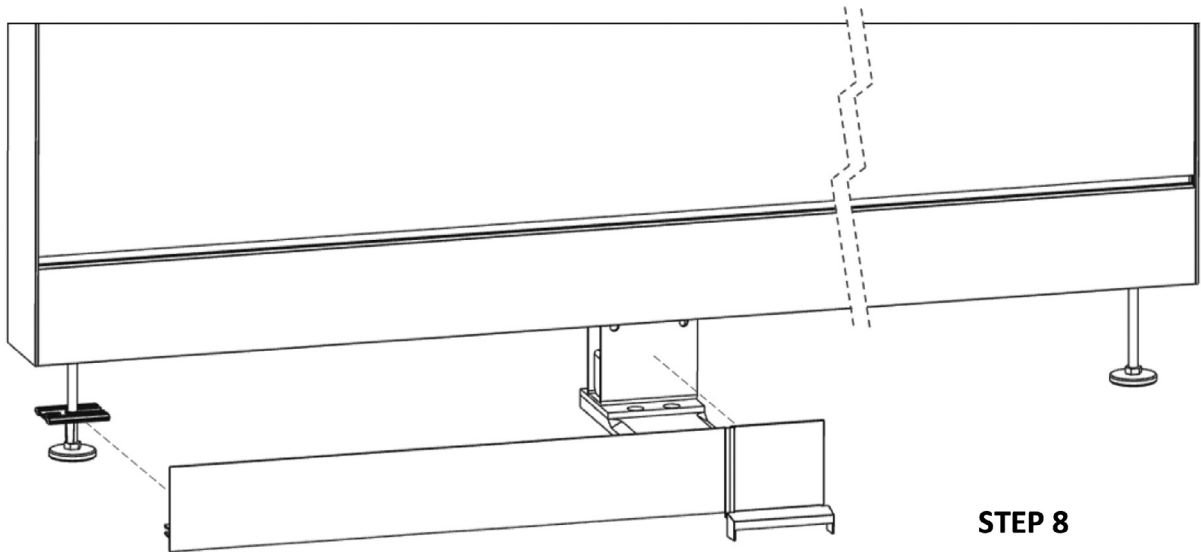
7. Cut the Connector (C) and Foot Skirt (D) along the top edge of the Skirt Extrusion (B), so they are the same height.



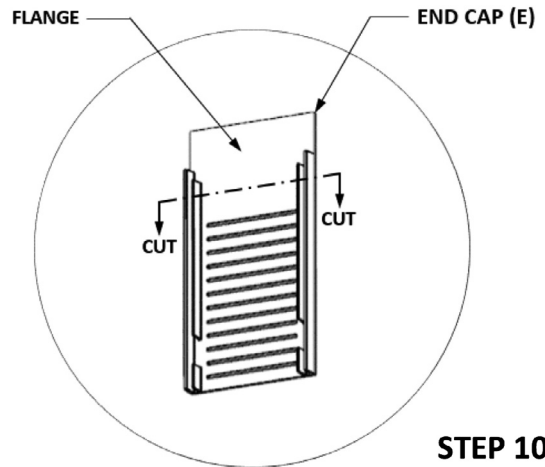
Rockwell Unscripted® Creative Wall® Install Instructions

Light Blocking Kit

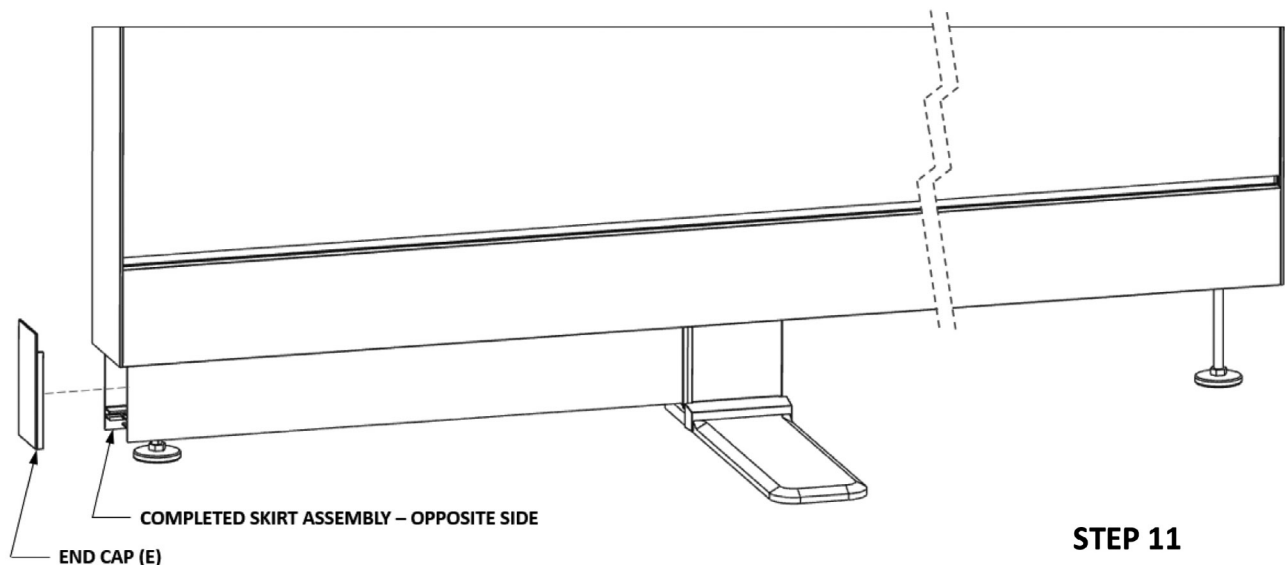
8. Install the skirt onto the Wall Frame. Make sure to align the Foot Skirt (D) with the Foot, and press the Skirt Extrusion (B) onto each of the Mounting Plates (A) until they snap into place.



9. If needed, repeat installation steps for the opposite side of the skirt on this Wall Frame section. Note: Both 1-sided and 2-sided Feet require a Foot Skirt (D) on both sides of the skirt.
10. With the End Cap Flange pointed up, cut one End Cap (E) height to match the Skirt Extrusion (B) height from Step 5.



11. Install the End Cap (E) by firmly pressing onto the Skirt Extrusions (B).



Rockwell Unscripted® Creative Wall® Install Instructions

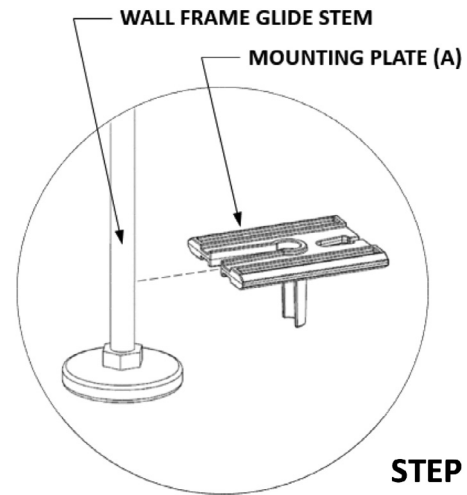
Light Blocking Kit

Location 4: Skirt on Off-Module Wall section.

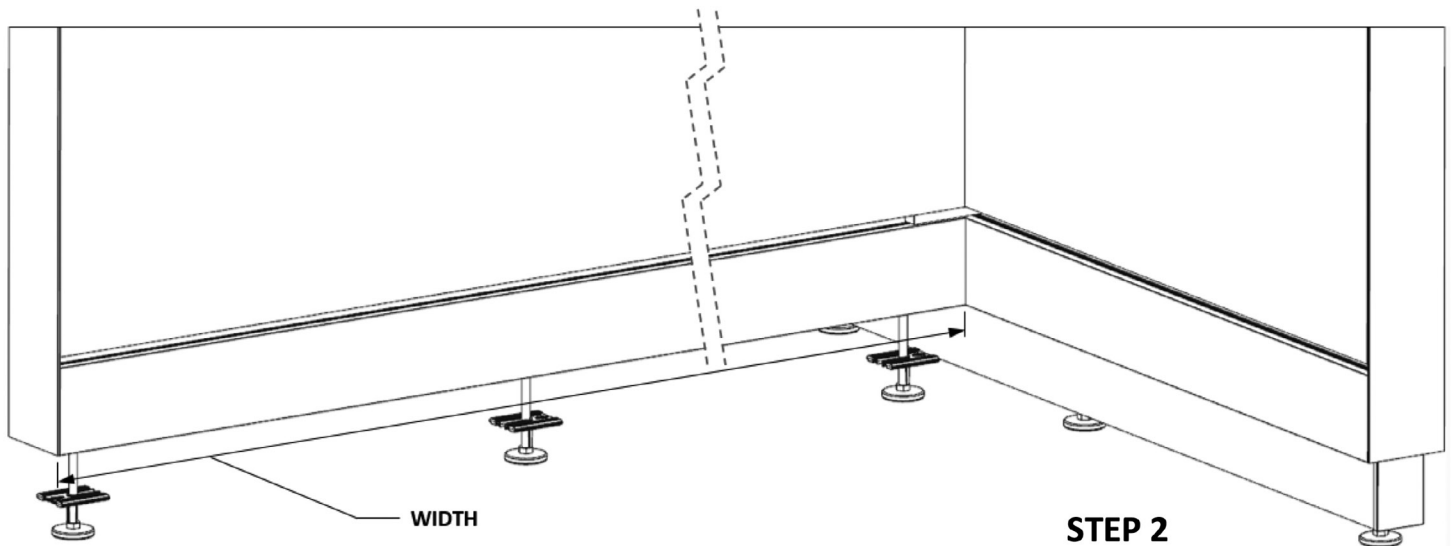
Note:

This Location Type is for Off-Module Wall sections only. Spine Wall sections that support the Off-Module Wall should use a skirt installation of Location Type 1-3. It is recommended to install the Spine Wall section skirt before Off-Module Wall skirts.

1. Install a Mounting Plate (A) onto each of the Wall Frame Glides in the section where the skirt will be assembled. To install, snap the threaded stem of the Glide into the center slot on the Mounting Plate (A), and be sure the center column is pointed down.

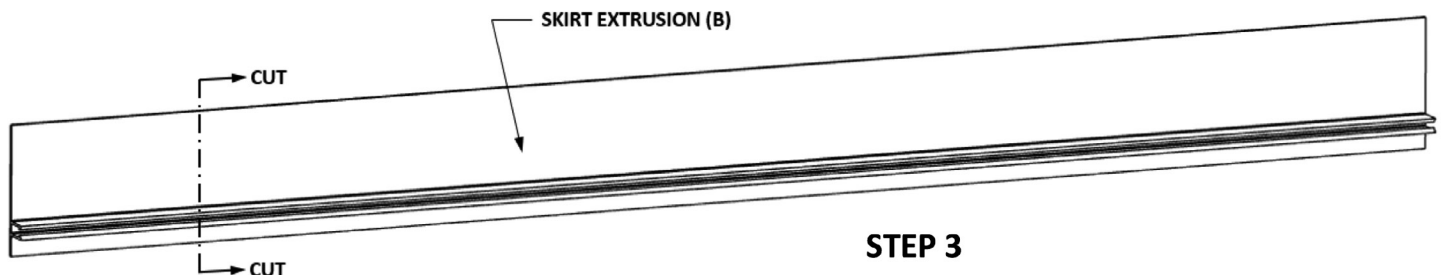


2. Measure the width from the outside of the Vertical End Trim on the Off-Module Wall to the Horizontal Trim on the Spine Wall Section.



3. Cut the Skirt Extrusion (B) width to be 5/16" longer than the measurement in Step 2.

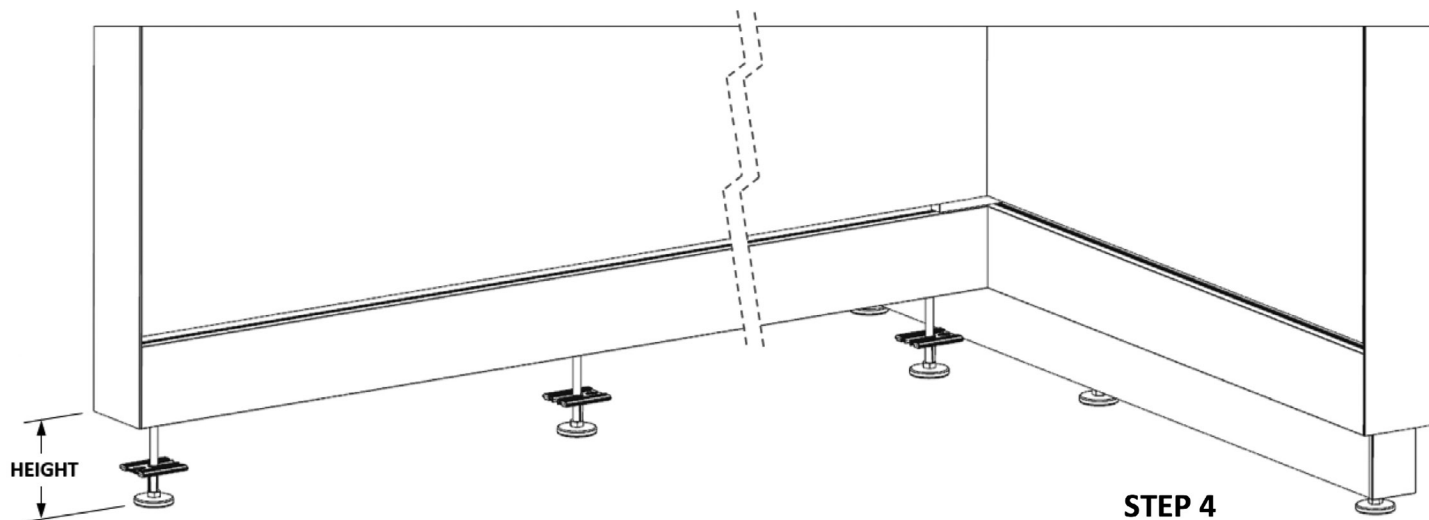
Note: If needed, the Skirt Extrusion (B) can be extended beyond 8' by joining two pieces with a Connector (C).



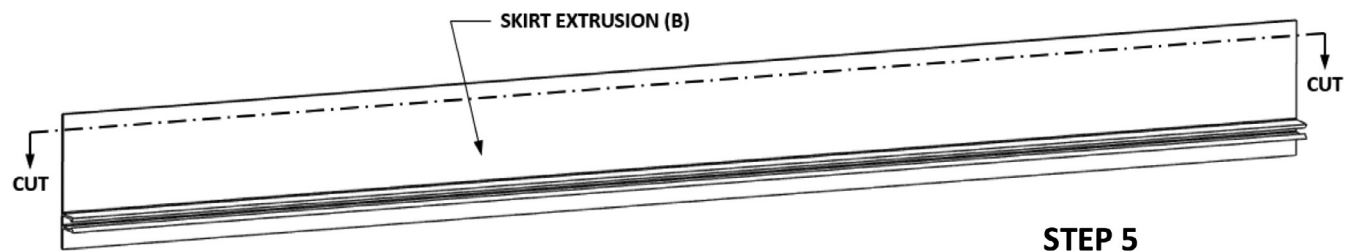
Rockwell Unscripted® Creative Wall® Install Instructions Light Blocking Kit

4. Measure the height from the floor to the bottom of the Horizontal Trim on the Off-Module Wall.

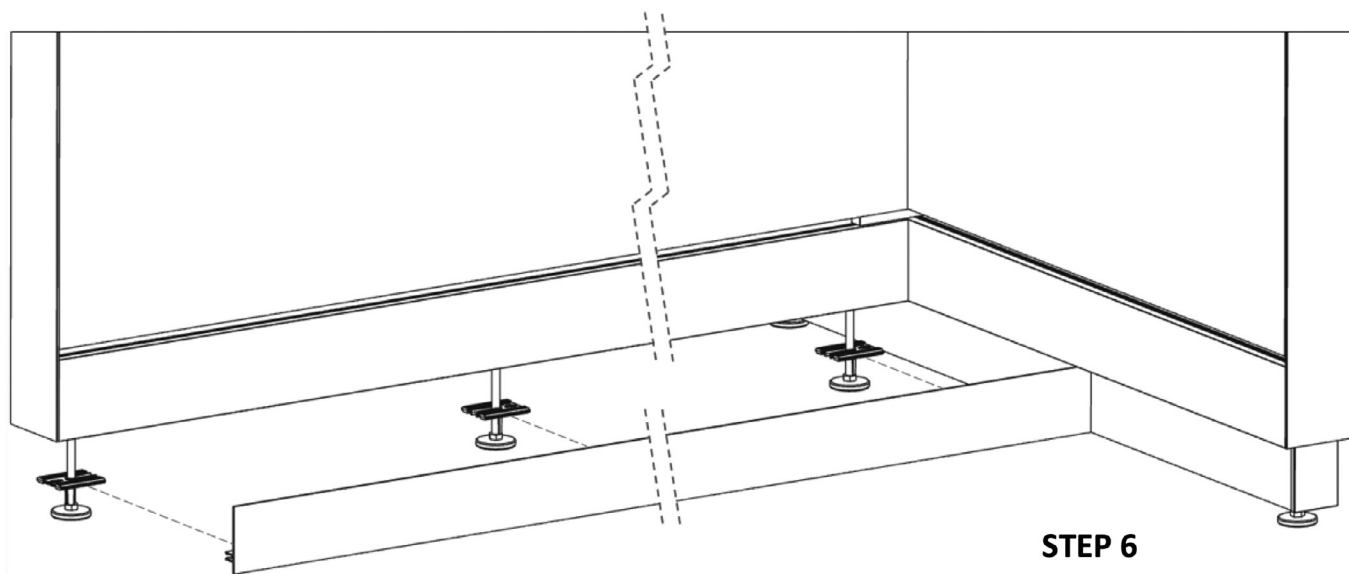
Note: Measure this height at each end if the floor is not level with the Wall Frame, and use the smaller measurement.



5. Cut the height of the Skirt Extrusion (B) to be 7/8" smaller than the measurement in Step 4.



6. Install the skirt onto the Wall Frame. The Skirt Extrusion (B) should be placed against the skirt on the Spine Wall section. Make sure to press the Skirt Extrusion (B) onto each of the Mounting Plates (A) until they snap into place.



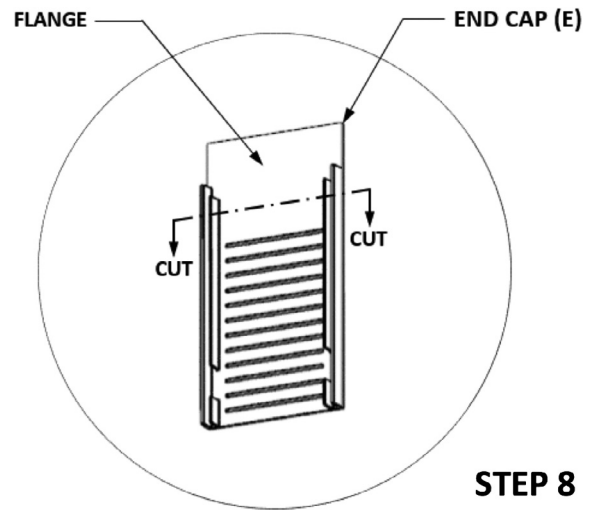
Rockwell Unscripted® Creative Wall® Install Instructions

Light Blocking Kit

- If needed, repeat installation steps for the opposite side of the skirt on this Wall Frame section.
- If the Skirt Extrusion (B) is positioned at the end of the Off-Module Wall, an End Cap (E) must be prepared and installed here. With the End Cap Flange pointed up, cut the End Cap (E) height to match the Skirt Extrusion (B) height from Step 5.

Note:

If no End Cap (E) is needed, proceed to the next Off-Module Wall section which will attach to the Skirt Extrusion (B) here and may require a Connector (C).



- Install the End Cap (E) by firmly pressing onto the Skirt Extrusions (B).

