

Rockwell Unscripted® Creative Wall® Install Instructions

Enclosures

Table of Contents

<u>Enclosure Columns to 4" Square Floor Plate</u>	<u>1-7</u>
<u>Beams to Enclosure Column</u>	<u>8-12</u>
<u>Enclosure Beam to Wall</u>	<u>13-21</u>
<u>Enclosure Fins and Doors</u>	<u>22-31</u>
<u>Enclosure Floor Track</u>	<u>32-36</u>

Rockwell Unscripted® Creative Wall® Install Instructions

Enclosure Columns to 4" Square Floor Plate

Pattern Numbers Represented:

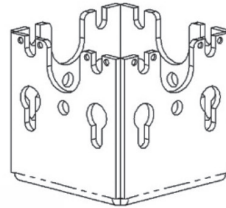
Floor Plate Kit, **UBELB**
 Floor Spacer Kit, **UBLFS**

Tools Needed:

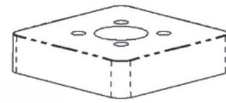
Drill
 Phillips #3 Bits
 3/16" Hex Bit
 5/32" Allen Wrench
 Laser Level
 Ladder

Part List:

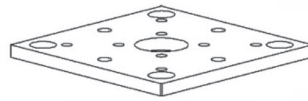
- (A) Castle Bracket
- (B) Castle Spacer
- (C) Castle Plate
- (D) Floor Plate
- (E) Column Plate
- (F) Capture Plate
- (G) Threaded Clamp
- (H) Clearance Clamp
- (I) Column Spacers
- (J) 1/4-20 x 5" Flat Head Screws
- (K) 1/4-20 x 2-1/2" Socket Head Screw
- (L) 1/4-20 x 1-1/2" Button Head Screw
- (M) 1/4-20 x 3/4" Flat Head Screw



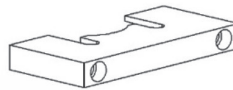
6AJ1234 (A)



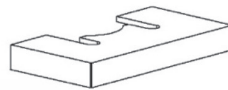
6AJ4192 (B)



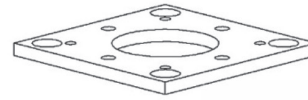
6AJ4239 (C)



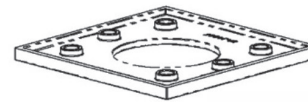
6AJ4216 (H)



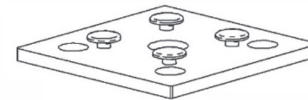
6AJ4217 (G)



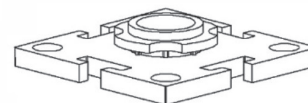
6AJ4051 (E)



6AJ4067 (I)



6AJ4231 (F)



6AJ4215 (D)



6AJ1231



6AJ4034 (L)



6AJ4240 (K)



6AJ4074 (J)

STEPS:

Note:

- All Columns are required to be screwed to the floor.
- The Enclosure Column location must be determined before the Floor Plate (D) can be screwed to the floor.
- It is suggested that the Creative Walls be installed and leveled prior to column installation. This will simplify column leveling.
- Column leveling requires Column Spacers (I) to be installed at the bottom of the column. This procedure requires access to the bottom side of the column. The installed Enclosure Column can be unclamped from the anchored Floor Plate (D) so that additional Column Spacers (I) can be added by reversing Steps 6 & 7.
- Column Spacers (I) are 1/4" thick. Two spacers are provided so that the Enclosure Column can be leveled with a nominal 90" Creative Wall.
- If needed, the Floor Spacer Kit (UBLFS) can be ordered. It provides (7) 1/4" thick spacers for up to an additional 1-3/4" height extension.
- The top of the Castle Bracket (A) must line up with the top of the Upper Horizontal Trim on the Creative Walls. Having the Castle Bracket (A) already installed on the Enclosure Column will make it easier to level the column with the walls.

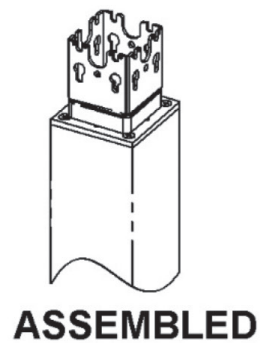
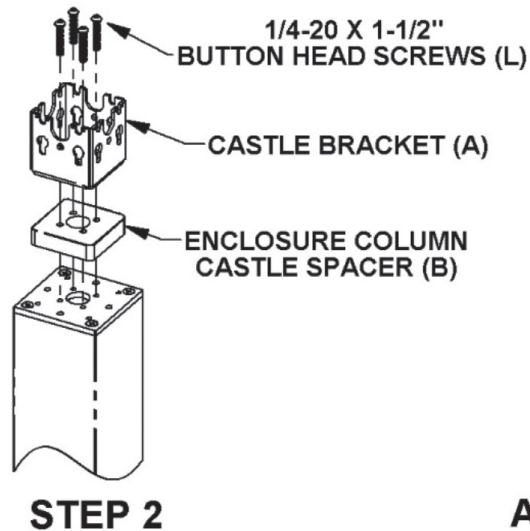
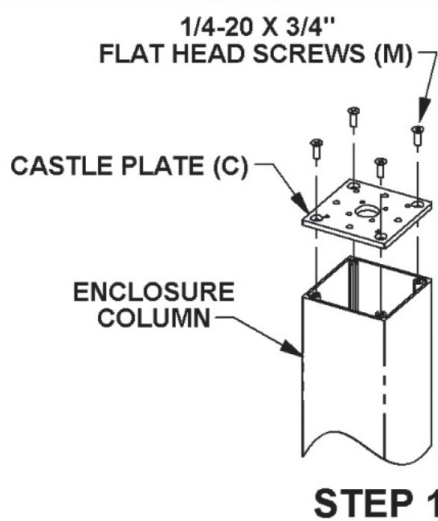
Rockwell Unscripted® Creative Wall® Install Instructions

Enclosure Columns to 4" Square Floor Plate

Castle Bracket to Enclosure Column

STEPS:

1. Install the Castle Plate (C) to the Enclosure Column using (4) 1/4-20 x 3/4" Flat Head Screws (M).
2. With the Castle Spacer (B) between, install the Castle Bracket (A) to the Castle Plate (C) using (4) 1/4-20 x 1-1/2" Button Head Screws (L).



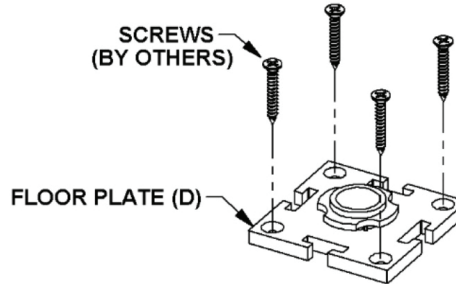
Rockwell Unscripted® Creative Wall® Install Instructions

Enclosure Columns to 4" Square Floor Plate

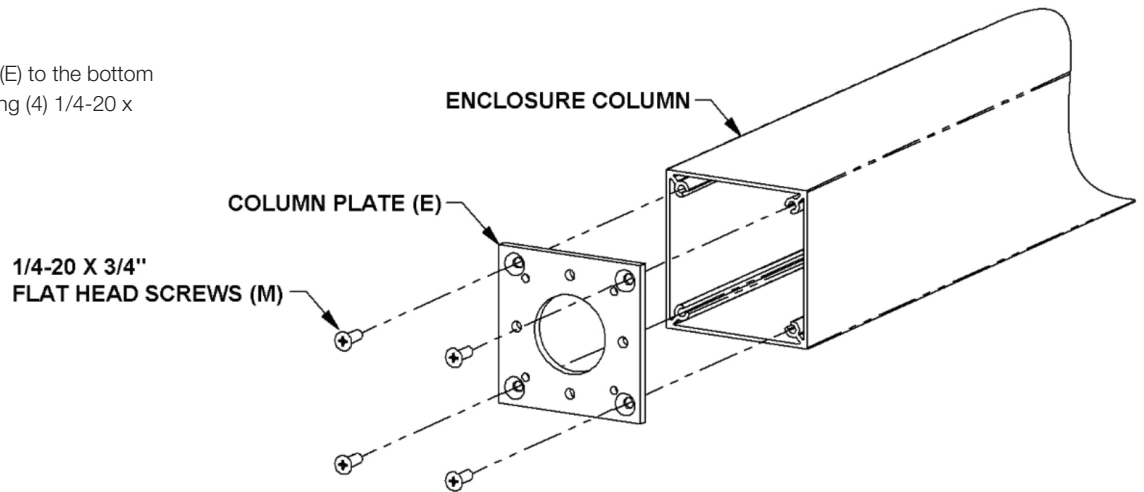
Enclosure Column to 4" Square Floor Plate

STEPS:

1. Determine the exact floor location for the Enclosure Column. Screw the Floor Plate (D) to the floor using appropriate screws for the floor type. This hardware is not provided. Note: If the floor is significantly out of level at the desired column location, place shims under the floor plate at the appropriate corners. Shim material is not provided.



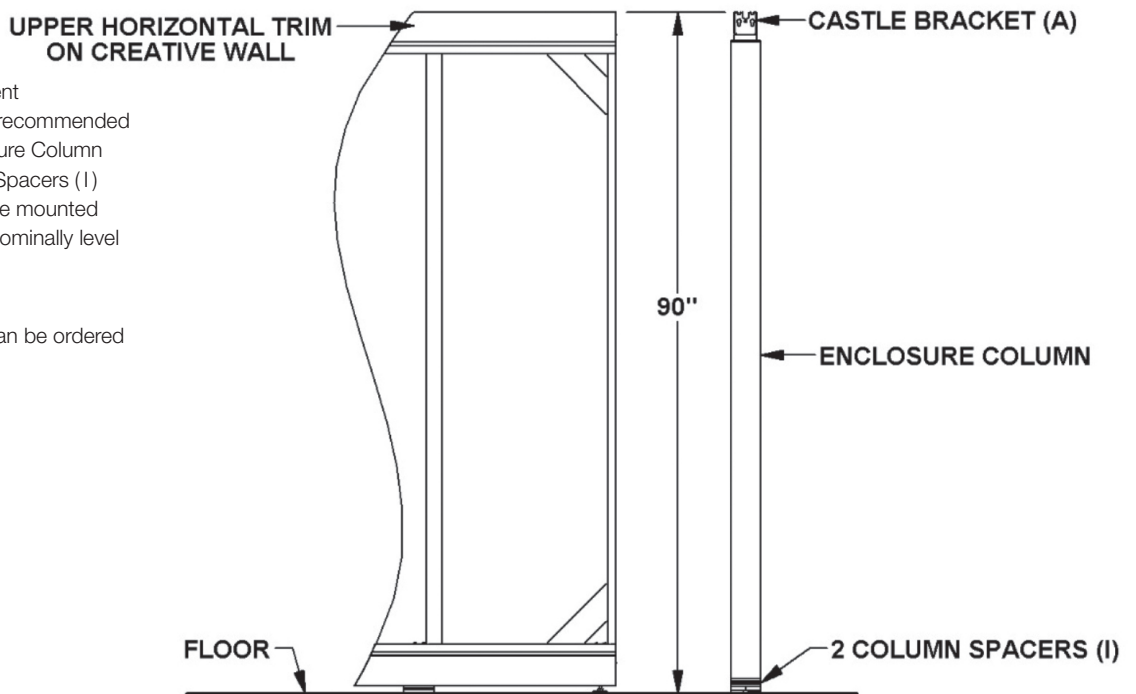
2. Assemble the Column Plate (E) to the bottom of the Enclosure Column using (4) 1/4-20 x 3/4" Flat Head Screws (M).



3. Determine the number of Column Spacers (I) required to level the Column with adjacent Creative Walls. A laser level is recommended for this procedure. The Enclosure Column with the (2) 1/4" thick Column Spacers (I) provided will bring the top of the mounted Castle Bracket (A) to 90" and nominally level with adjacent Creative Walls.

Note:

Additional 1/4" thick spacers can be ordered if needed.



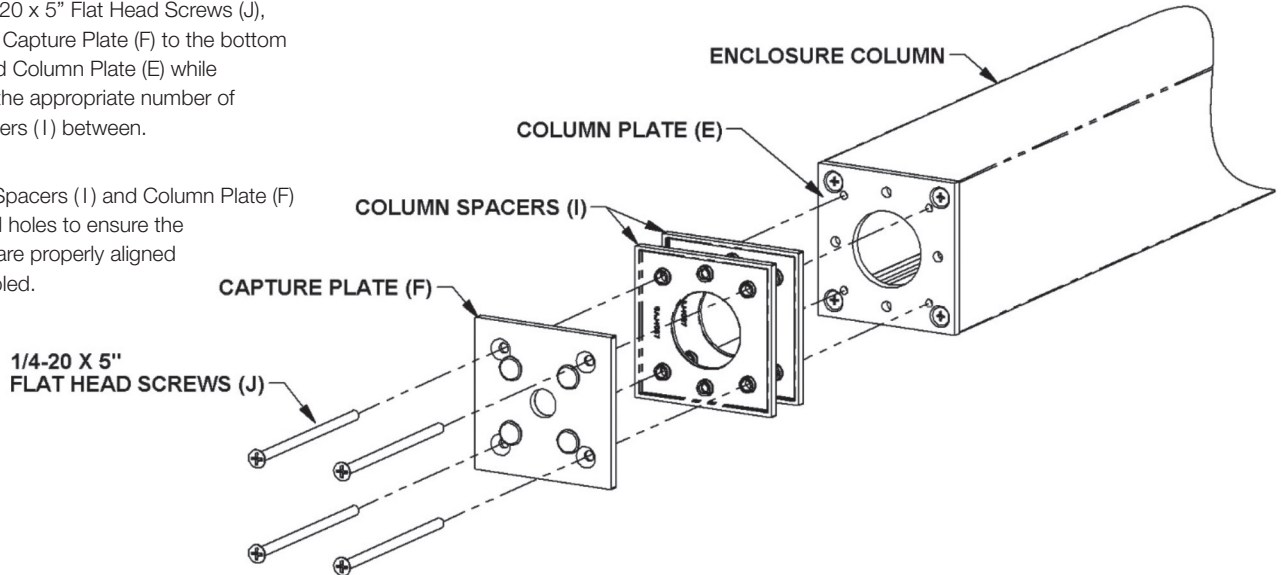
Rockwell Unscripted® Creative Wall® Install Instructions

Enclosure Columns to 4" Square Floor Plate

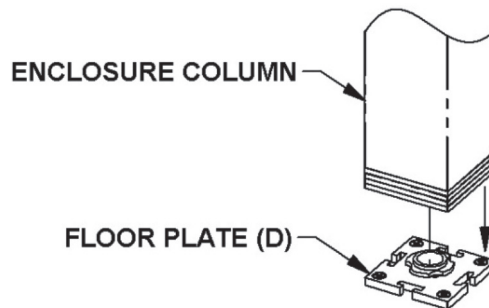
4. Using (4) 1/4-20 x 5" Flat Head Screws (J), assemble the Capture Plate (F) to the bottom of the installed Column Plate (E) while sandwiching the appropriate number of Column Spacers (I) between.

Note:

The Column Spacers (I) and Column Plate (F) have pins and holes to ensure the components are properly aligned when assembled.



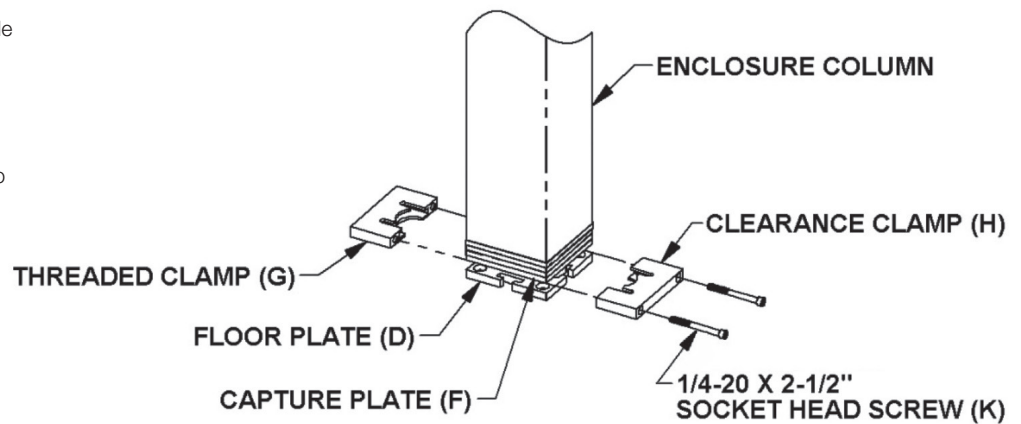
5. Place the Enclosure Column vertically onto and aligned with the Floor Plate (D) mounted in Step 1



6. With one person steadying the column, slide the Threaded Clamp (G) and Clearance Clamp (H) between the top of the mounted Floor Plate (D) and the Capture Plate (F) on the bottom of the column, one from each side. These clamps will lock the center hub on the Floor Plate (D) to the pins on the Capture Plate (F).

Note:

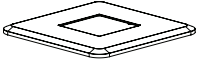





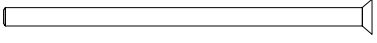
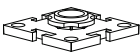

It may be necessary for the column to be lifted slightly in order to fully engage the clamps.



7. Install (2) 1/4-20 x 2-1/2" Socket Head Screws (K) through the Clearance Clamp (H) and into the Threaded Clamp (G). Check to make sure the column is plumb and level with adjacent Creative Walls.

Rockwell Unscripted® Creative Wall® Replacement Parts



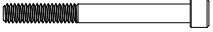
Enclosure Columns to 4" Square Floor Plate

Description	Reference*	Replacement Pattern Number
Column floor plate cover 	6AJ1288	KR6AJ1288() Includes: 6AJ1288 - qty 1
Column bottom plate 	6AJ4051	KR6AJ4051() HLKR6AJ4051() 24-Response Includes: 6AJ4051 - qty 1 (Total required per column = 1) Finish options: (111) jet black, (114) folkstone grey, (115) medium grey, (118) bright white, (120) black brown
Column floor plate 	6AJ1289	KR6AJ1289 HLKR6AJ1289 24-Response Includes: 6AJ1289 - qty 1
Column height adjustment spacer 	6AJ4067	KR6AJ4067() HLKR6AJ4067() 24-Response Includes: 6AJ4067 - qty 1 (Total required per column = 2 + up to 7 for leveling) Finish options: (111) jet black, (114) folkstone grey, (115) medium grey, (118) bright white, (120) black brown
Double-sided tape strips (pad of 4) 	6AJ4126	KR6AJ4126 Includes: 6AJ4126 - qty 1 (pad of 4 strips)
Screw, undercut flat head, phillips drive, 1/4-20 x .75", black, with lockpatch 	6AJ1231	KR6AJ1231 HLKR6AJ1231 24-Response Includes: 6AJ1231 - qty 1 (Total required per column = 4)
Screw, flat head, phillips drive, 1/4-20 x 5", full thread, black 	6AJ4074	KR6A4074 HLKR6AJ4074 24-Response Includes: 6AJ4074 - qty 1 (Total required per column = 4)
Foot plate, enclosure 4" square 	6AJ4215	KR6AJ4215() Includes: 6AJ4215 - qty 1
Column bottom plate, enclosure 4" square foot 	6AJ4231	KR6AJ4231() Includes: 6AJ4231 - qty 1

General Notes

1. "HL" and "ZZ" prefix in pattern number denotes 24-Response. Part will be shipped within 24-hours via ground service, pending availability; quantity limits and higher pricing apply.
2. See the product [Price Lists on www.Knoll.com](http://www.Knoll.com) for material, textile, and finish options denoted by ().
3. * Not offered as an orderable service part number.

Rockwell Unscripted® Creative Wall® Replacement Parts Enclosure Columns to 4" Square Floor Plate

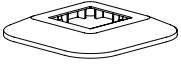

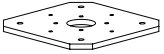


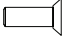
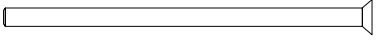
Description	Reference*	Replacement Pattern Number
Enclosures wedge lock, thru hole side 	6AJ4216	KR6AJ4216() Includes: 6AJ4216 - qty 1
Enclosures wedge lock, screw side 	6AJ4217	KR6AJ4217() Includes: 6AJ4217 - qty 1
Screw, 1/4-20 x 2.5 socket head, partial thread, w/lockpatch 	6AJ4240	KR6AJ4240 Includes: 6AJ4240 - qty 1

General Notes

1. "HL" and "ZZ" prefix in pattern number denotes 24-Response. Part will be shipped within 24-hours via ground service, pending availability; quantity limits and higher pricing apply.
2. See the product [Price Lists on www.Knoll.com](http://www.Knoll.com) for material, textile, and finish options denoted by ().
3. * Not offered as an orderable service part number.

Rockwell Unscripted® Creative Wall® Replacement Parts

Enclosure Columns to 4" Square Floor Plate

Description	Reference*	Replacement Pattern Number
Seismic base cover 	6AJ1299	KR6AJ1299 HLKR6AJ1299 24-Response Includes: 6AJ1299 - qty 1 (Total required per column = 1)
Column bottom plate 	6AJ4051	KR6AJ4051() HLKR6AJ4051() 24-Response Includes: 6AJ4051 - qty 1 (Total required per column = 1) Finish options: (111) jet black, (114) folkstone grey, (115) medium grey, (118) bright white, (120) black brown
Seismic base plate 	6AJ1298	KR6AJ1298 HLKR6AJ1298 24-Response Includes: 6AJ1298 - qty 1 (Total required per column = 1)
Column height adjustment spacer 	6AJ4067	KR6AJ4067() HLKR6AJ4067() 24-Response Includes: 6AJ4067 - qty 1 (Total required per column = 2 + up to 7 for leveling) Finish options: (111) jet black, (114) folkstone grey, (115) medium grey, (118) bright white, (120) black brown
Seismic clip, double ended 	6AJ1060	KR6AJ1060 HLKR6AJ1060 24-Response Includes: 6AJ1060 - qty 1 (Total required per column = 4)
Screw, undercut flat head, phillips drive, 1/4-20 x .75", black, with lockpatch 	6AJ1231	KR6AJ1231 HLKR6AJ1231 24-Response Includes: 6AJ1231 - qty 1 (Total required per column = 4)
Screw, flat head, phillips drive, 1/4-20 x 5", full thread, black 	6AJ4074	KR6A4074 HLKR6AJ4074 24-Response Includes: 6AJ4074 - qty 1 (Total required per column = 4)

General Notes

1. "HL" and "ZZ" prefix in pattern number denotes 24-Response. Part will be shipped within 24-hours via ground service, pending availability; quantity limits and higher pricing apply.
2. See the product [Price Lists on www.Knoll.com](http://www.Knoll.com) for material, textile, and finish options denoted by ().
3. * Not offered as an orderable service part number.

Rockwell Unscripted® Creative Wall® Install Instructions

Beams to Enclosure Column

Pattern Numbers Represented:

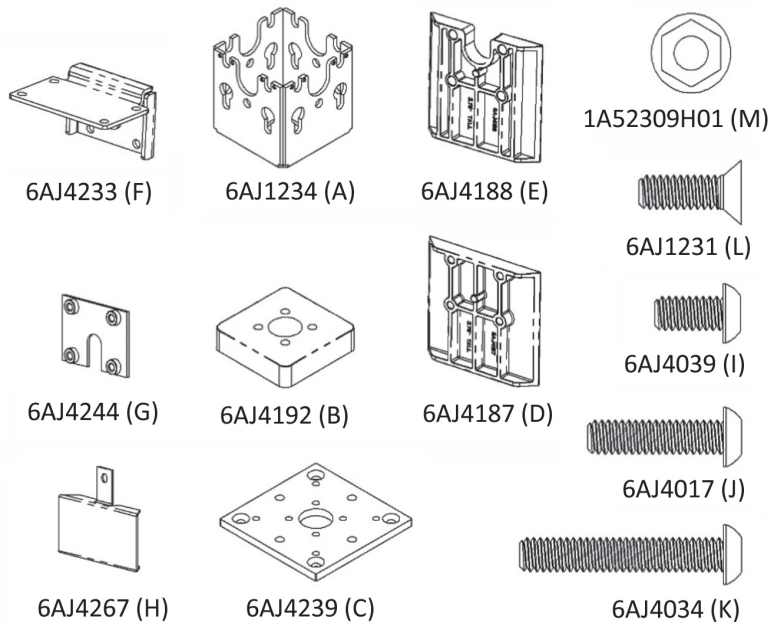
Column Connection Assembly, **UBEL90**__

Tools Needed:

- Power Driver
- Phillips #2 & #3 Bits
- 5/32" Allen Wrench
- Ladder

Part List:

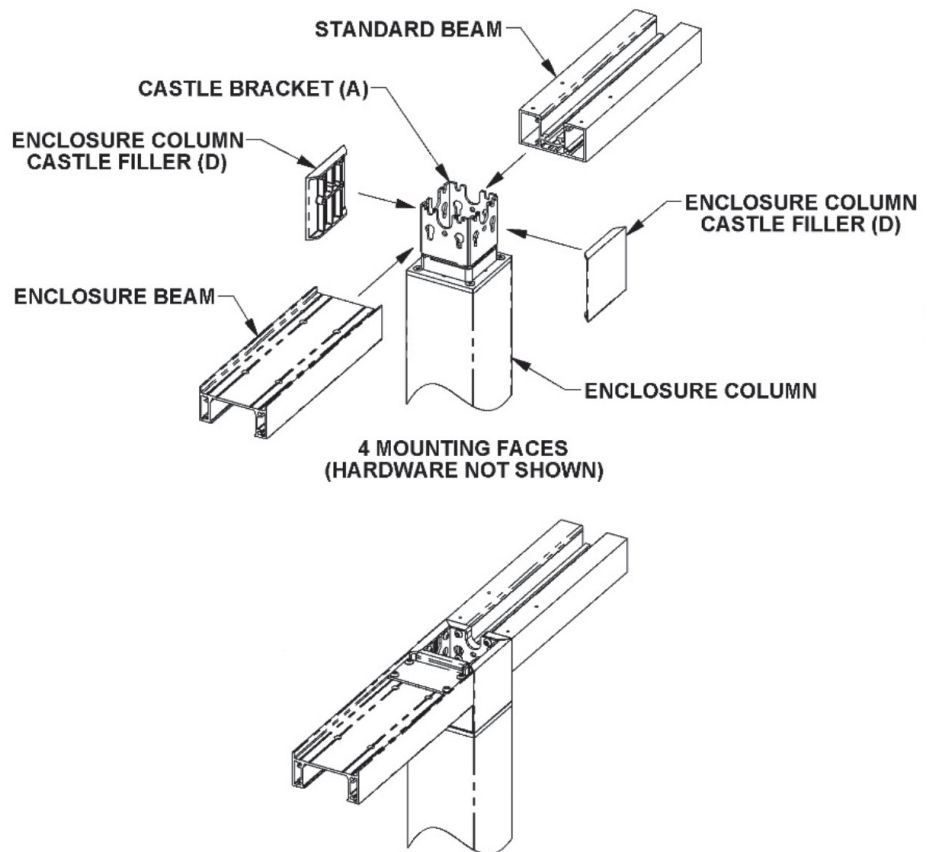
- (A) Castle Bracket
- (B) Enclosure Column Castle Spacer
- (C) Enclosure Column Castle Plate
- (D) Enclosure Column Castle Filler
- (E) Standard Beam Enclosure Column Spacer
- (F) Enclosure Beam Castle Mounting Bracket
- (G) Enclosure Beam Nut Plate
- (H) Enclosure Beam Mounting Bracket Filler
- (I) 1/4-20 x 1/2" Button Head Screw
- (J) 1/4-20 x 1" Button Head Screw
- (K) 1/4-20 x 1-1/2" Button Head Screw
- (L) 1/4-20 x 3/4" Flat Head Screw
- (M) 1/4-20 Hex Flange Nut



STEPS:

Note:

- These instructions deal with the assembly of Standard & Enclosure Beams to Enclosure Columns only.
- It is assumed that the Enclosure Column has already been installed and is free-standing. column base assembly procedures are covered in other sections.
- Beam installation requires assembly of both ends of the Beam simultaneously so that both ends of the beam are supported. At least 2 people are required.
- The assembly procedures cover Standard Beams (smooth-bottom, channel bottom, spliced or continuous) and Enclosure Beams to the Enclosure Column only.
- Enclosure Columns have 4 independent mounting faces and can have 1, 2, 3 or 4 beams attached in any combination.
- Blank Enclosure Column Castle Fillers are used on any of the Enclosure Column's 4 mounting faces which do not have an attached Beam.



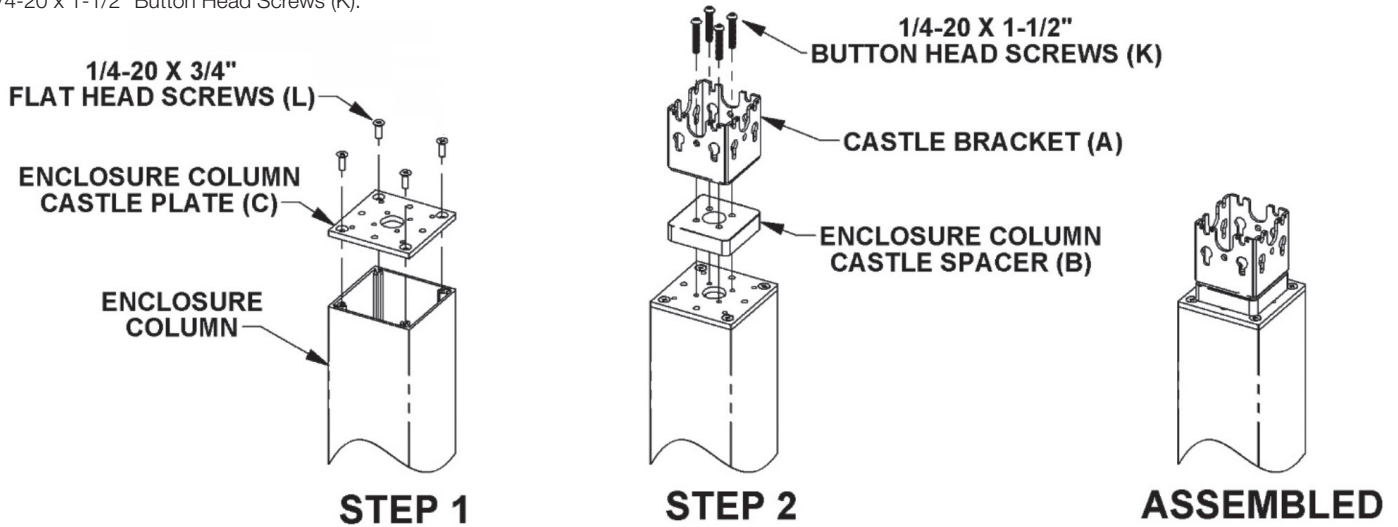
Rockwell Unscripted® Creative Wall® Install Instructions

Beams to Enclosure Column

Castle Bracket to Enclosure Column

STEPS:

1. Install the Enclosure Column Castle Plate (C) to the Enclosure Column using (4) 1/4-20 x 3/4" Flat Head Screws (L).
2. With the Enclosure Column Castle Spacer (B) between, install the Castle Bracket (A) to the Enclosure Column Castle Plate (C) using (4) 1/4-20 x 1-1/2" Button Head Screws (K).



Standard Beam to Enclosure Column

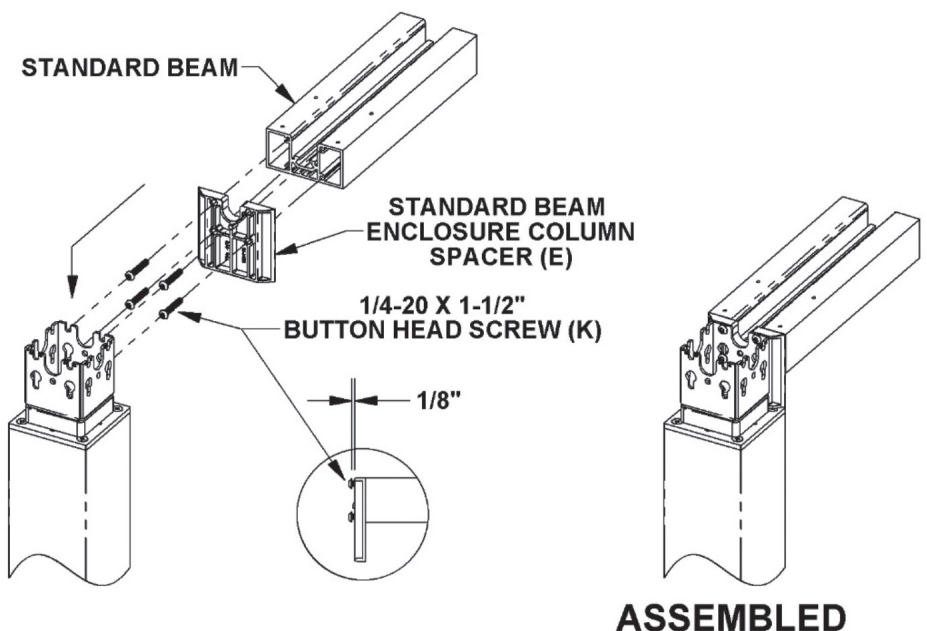
STEPS:

1. Start (4) 1/4-20 x 1-1/2" Button Head Screws (K) through the Standard Beam Enclosure Column Spacer (E) and into the 4 tapped holes in the end of the Standard Beam.

Note:

The screws should extend beyond the end face of the Standard Beam Enclosure Column Spacer (E) with at least 1/8" gap between the spacer and the underside of the screw heads.

2. Align and insert the (4) 1/4-20 x 1-1/2" Button Head Screws (K) installed in Step 1 into the keyholes in the side of the Castle Bracket (A). Lower and tighten the screws.



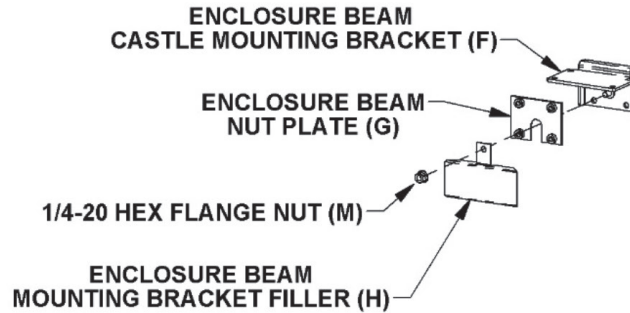
Rockwell Unscripted® Creative Wall® Install Instructions

Beams to Enclosure Column

Enclosure Beam to Enclosure Column

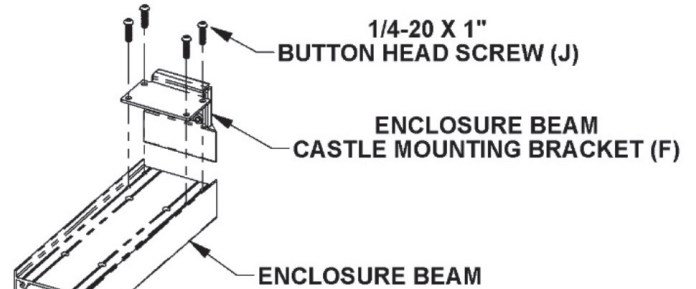
STEPS:

1. Assemble the Enclosure Beam Mounting Bracket Filler (H) to the Enclosure Beam Castle Mounting Bracket (F) while trapping the Enclosure Beam Nut Plate (G) using (1) 1/4-20 Hex Flange Nut (M) onto the weld stud. Leave the hex nut a little loose for now.



STEP 1

2. Install the Enclosure Beam Castle Mounting Bracket (F) to the Enclosure Beam using (4) 1/4-20 x 1" Button Head Screws (J) into the tapped holes on the top surface of the Enclosure Beam.



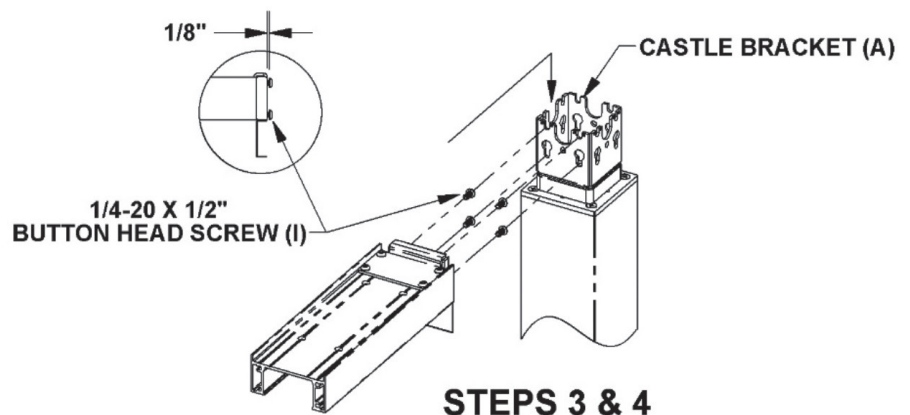
STEP 2

3. Start (4) 1/4-20 x 1/2" Button Head Screws (I) through the Enclosure Beam Castle Mounting Bracket (F) and into the 4 threaded inserts in the assembled Enclosure Beam Nut Plate (G).

Note:

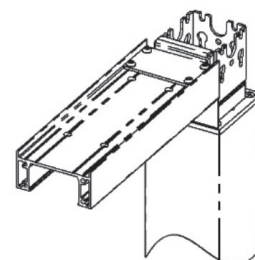
The screws should extend beyond the end face of the Enclosure Beam Castle Mounting Bracket (F) with at least 1/8" gap between the bracket and the underside of the screw heads.

4. Align and insert the (4) 1/4-20 x 1/2" Button Head Screws (I) installed in Step 3 into the keyholes in the side of the Castle Bracket (A). Lower and tighten the screws.



STEPS 3 & 4

5. Assure that the Enclosure Beam Mounting Bracket Filler (H) assembled in Step 1 is aligned and then tighten the 1/4-20 Hex Flange Nut (M) also installed in Step 1.



ASSEMBLED

Rockwell Unscripted® Creative Wall® Install Instructions

Beams to Enclosure Column

Enclosure Column Filler to Enclosure Column

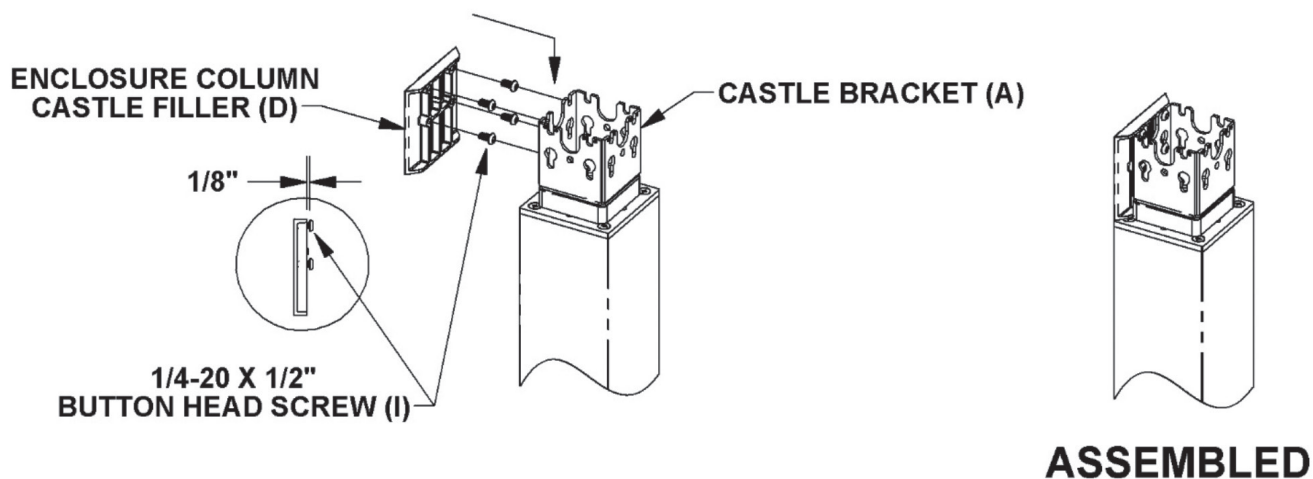
STEPS:

1. Start (4) 1/4-20 x 1/2" Button Head Screws (I) into the tapped holes on the back side of the Enclosure Column Castle Filler (D).

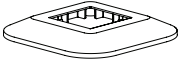

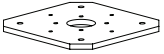


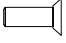
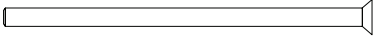
Note:

The screws should extend beyond the end face of the Enclosure Column Castle Filler (D) with at least 1/8" gap between the filler and the underside of the screw heads.

2. Align and insert the (4) 1/4-20 x 1/2" Button Head Screws (I) installed in Step 1 into the keyholes in the side of the Castle Bracket (A). Lower and tighten the screws.



Rockwell Unscripted® Creative Wall® Replacement Parts

Description	Reference*	Replacement Pattern Number
Seismic base cover 	6AJ1299	KR6AJ1299 HLKR6AJ1299 24-Response Includes: 6AJ1299 - qty 1 (Total required per column = 1)
Column bottom plate 	6AJ4051	KR6AJ4051() HLKR6AJ4051() 24-Response Includes: 6AJ4051 - qty 1 (Total required per column = 1) Finish options: (111) jet black, (114) folkstone grey, (115) medium grey, (118) bright white, (120) black brown
Seismic base plate 	6AJ1298	KR6AJ1298 HLKR6AJ1298 24-Response Includes: 6AJ1298 - qty 1 (Total required per column = 1)
Column height adjustment spacer 	6AJ4067	KR6AJ4067() HLKR6AJ4067() 24-Response Includes: 6AJ4067 - qty 1 (Total required per column = 2 + up to 7 for leveling) Finish options: (111) jet black, (114) folkstone grey, (115) medium grey, (118) bright white, (120) black brown
Seismic clip, double ended 	6AJ1060	KR6AJ1060 HLKR6AJ1060 24-Response Includes: 6AJ1060 - qty 1 (Total required per column = 4)
Screw, undercut flat head, phillips drive, 1/4-20 x .75", black, with lockpatch 	6AJ1231	KR6AJ1231 HLKR6AJ1231 24-Response Includes: 6AJ1231 - qty 1 (Total required per column = 4)
Screw, flat head, phillips drive, 1/4-20 x 5", full thread, black 	6AJ4074	KR6A4074 HLKR6AJ4074 24-Response Includes: 6AJ4074 - qty 1 (Total required per column = 4)

General Notes

1. "HL" and "ZZ" prefix in pattern number denotes 24-Response. Part will be shipped within 24-hours via ground service, pending availability; quantity limits and higher pricing apply.
2. See the product [Price Lists on www.Knoll.com](http://www.Knoll.com) for material, textile, and finish options denoted by ().
3. * Not offered as an orderable service part number.

Rockwell Unscripted® Creative Wall® Install Instructions

Enclosure Beam to Wall Frame

Pattern Numbers Represented:

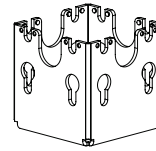
Enclosure Beam, **UBEF**__
 Connection Kit, **UBC**____

Tools Needed:

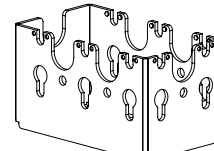
Ladders
 Power driver
 Bits: #3 Phillips, 5/32" Hex
 Wrench or socket driver: 1/2"

Part List:

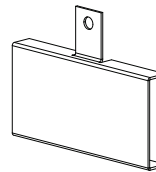
- (A) Castle Bracket (Locations 1 & 2)
- (B) Double Castle Bracket (Locations 3 & 4)
- (C) Trim Cover (Locations 2, 3 & 4)
- (D) Enclosure Beam Mounting Bracket
- (E) Enclosure Beam Nut Plate
- (F) 1/4-20 x 3-1/4" Pan Head Screw
- (H) 1/4-20 x 1" Button Head Screw
- (I) 1/4-20 x 1/2" Button Head Screw
- (J) 1/4-20 Nut Plate
- (K) 1/4-20 Nut with lock washer
- (L) End Trim, notched, with hole (Location 1)
- (M) 1/4-20 Hex Base Leveler Bolts



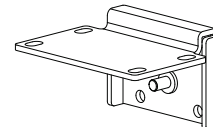
6AJ1234 (A)



6AJ1191 (B)



6AJ4236 (C)

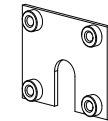


6AJ4233 (D)

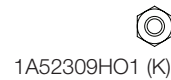
Note: Enclosure Beams can be mounted to wall frames in 4 locations.

- **Location 1:** In-line at the end of a wall frame.
- **Location 2:** Off-module at the end of a wall frame.
- **Location 3:** Off-module centered on a 2" stud or joined 1" end-uprights.
- **Location 4:** Off-module to the offset from a 2" stud or joined 1" end-uprights.

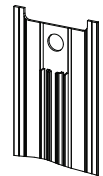
Multiple Beams can be installed at a given location using a shared Castle Bracket (A or B). If 2 beams are mounted at Location 3 or 4, they must be in line with each other.



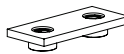
6AJ4244 (E)



1A52309HO1 (K)



6AJ110405 (L)



6AJ4053 (J)



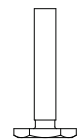
6AJ4039 (I)



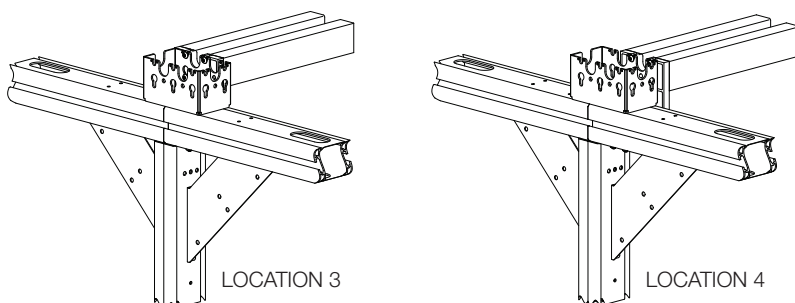
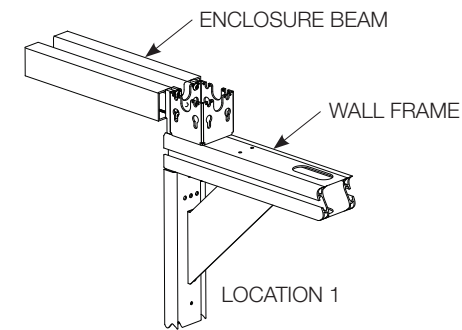
6AJ4017 (H)



6AJ4022 (F)



6AJ4025 (M)



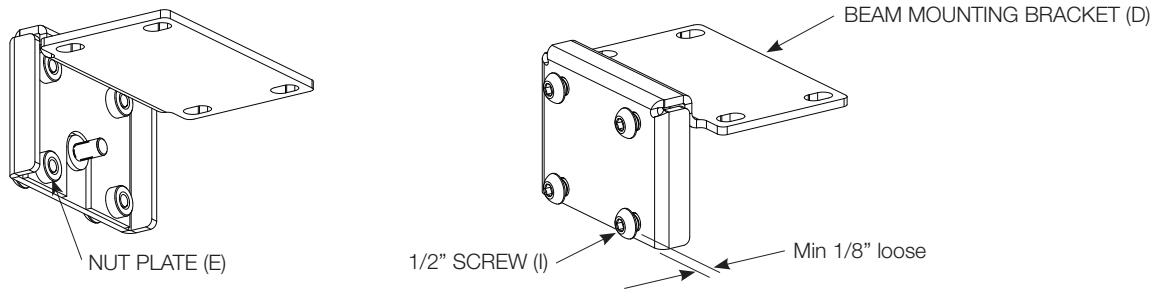
Rockwell Unscripted® Creative Wall® Install Instructions

Enclosure Beam to Wall Frame

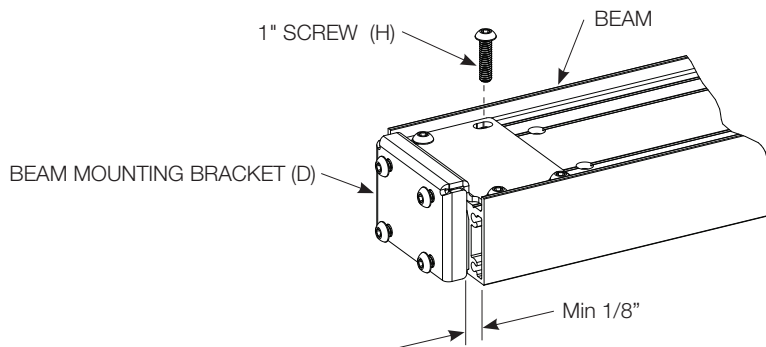
Steps

(Location 1-4)

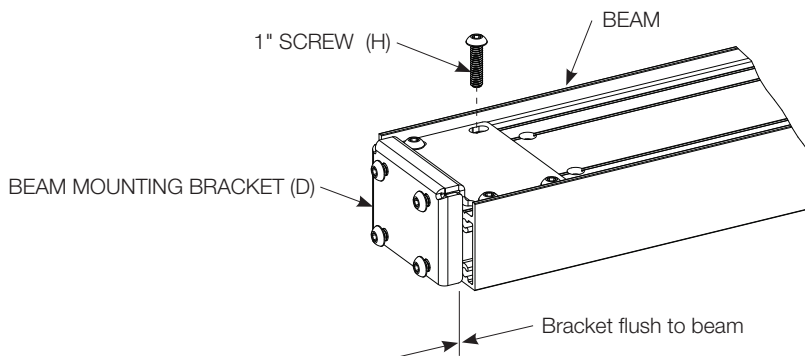
1. Assemble Nut Plate (E) to Mounting Bracket (D) by starting four 1/2" screws (I) through the Mounting Bracket (D) and into the Nut Plate (E). Leave all screws (D) loose at least 1/8" for now.



2. Install Mounting Bracket (D) to top of Enclosure Beam using four 1" screws (H) into tapped holes on the top surface of the beam.
3. For **Location 1**, Mounting Bracket should be spaced 1/8" from vertical cut face of beam. Holes are slotted in top of bracket (D) to allow for this spacing.



4. For **Locations 2-4**, mounting bracket should be flush against the vertical cut face of the beam.



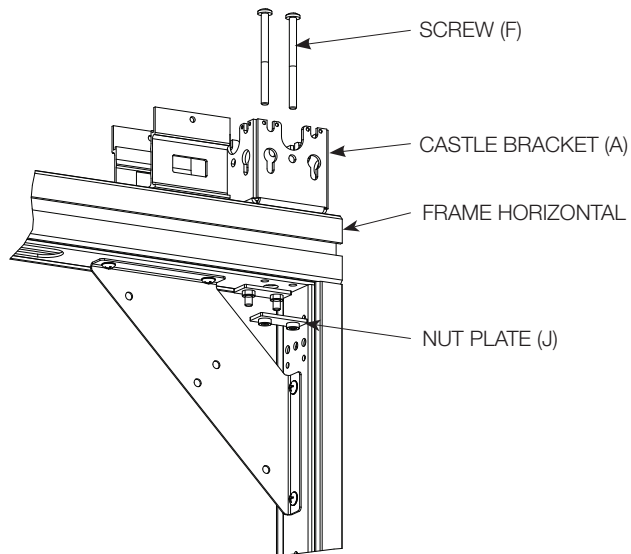
Rockwell Unscripted® Creative Wall® Install Instructions

Enclosure Beam to Wall Frame

Location 1

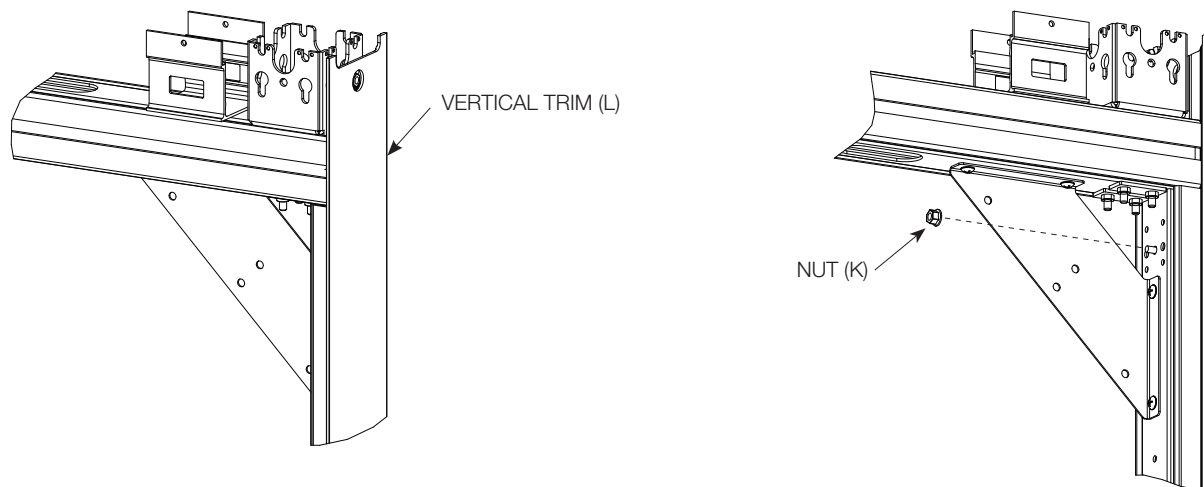
In-line at the end of a Wall frame:

5. Mount the Castle Bracket (A) at the end of the wall frame's upper horizontal. Use four 3-1/4" pan head screws (F) above and two Nut Plates (J) below at the four holes in the end of the horizontal. **Note:** The smooth surface of the Nut Plate (J) must be against the underside of the horizontal.



6. Install Vertical Trim (L) to frame with three Hex Base Bolts (M) and three nuts (K).

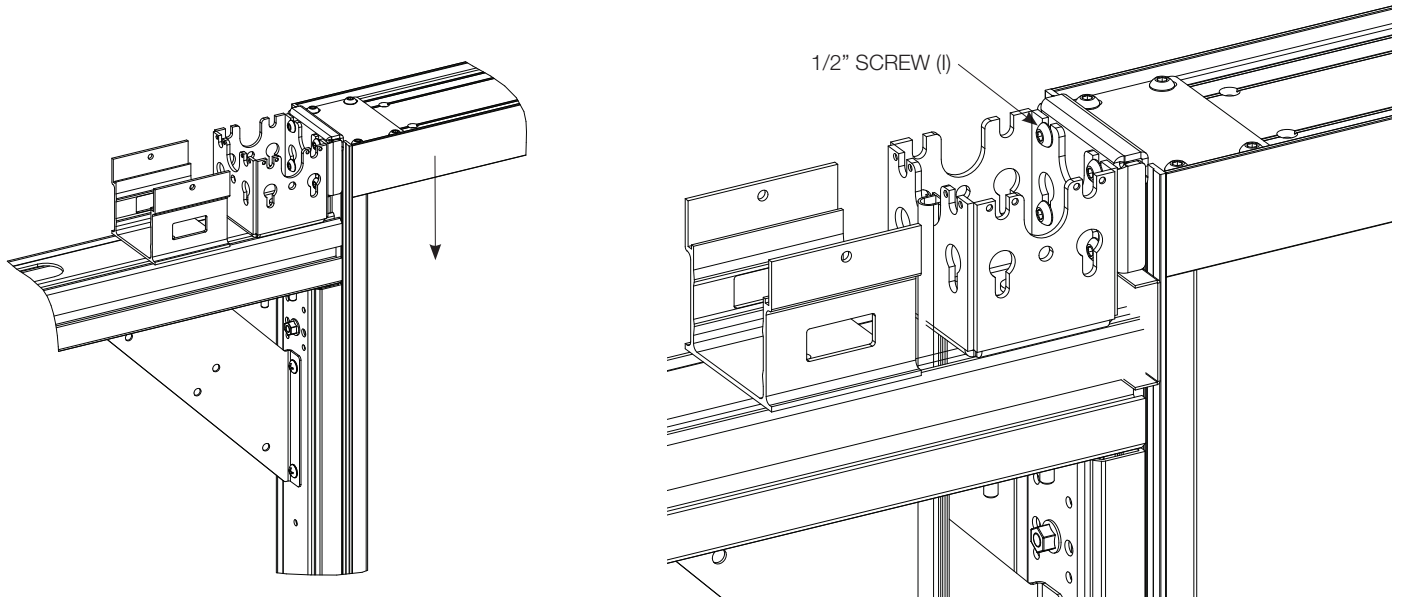
Refer to Installation Instruction "Vertical End Trim" in the "Trims" section of Creative Wall Installation Instructions.



Rockwell Unscripted® Creative Wall® Install Instructions

Enclosure Beam to Wall Frame

7. Install the Enclosure Beam by inserting the four screws (I) started in Step 1 into the keyholes in the side of the Castle Bracket (A). Lower the beam into place and tighten the four screws (I) to the Castle Bracket (A).



Rockwell Unscripted® Creative Wall® Install Instructions

Enclosure Beam to Wall Frame

Location 2

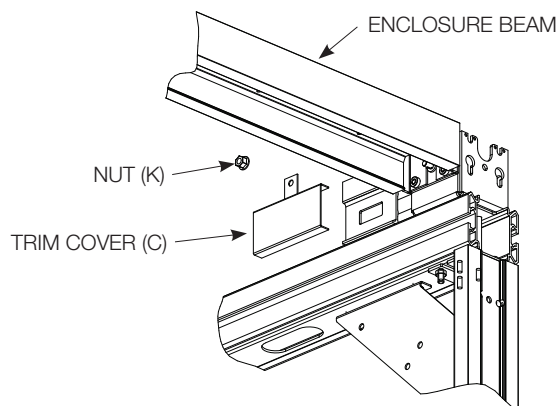
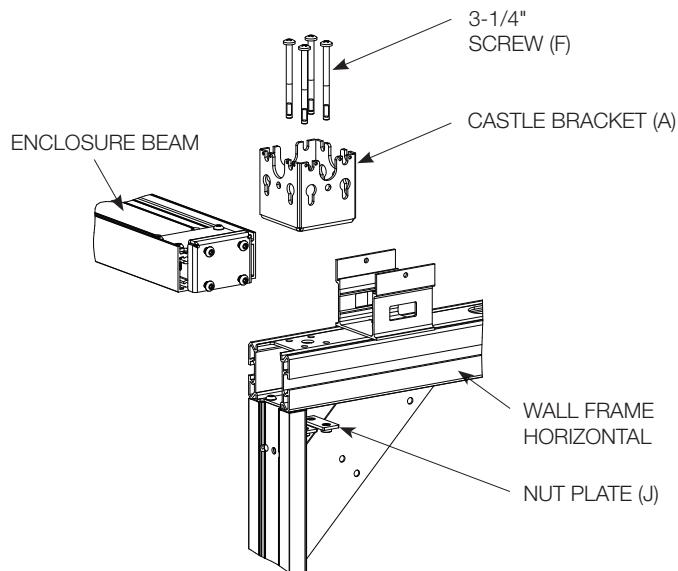
Off-module at the end of a wall frame:

8. Mount Castle Bracket (A) at the end of wall frames using four 3-1/4" long pan head screws (F) above and two Nut Plates (J) below.

Note: The smooth surface of the Nut Plate must be against the underside of the frame horizontal.

9. Install the Enclosure Beam by inserting the four 1/2" long screws (I) started in Step 1 into the keyholes in the side of the Castle Bracket (A). Lower the beam into place and tighten the screws (I).

10. Install the Trim Cover (C) to stud on Mounting Bracket (D) using one nut (K).



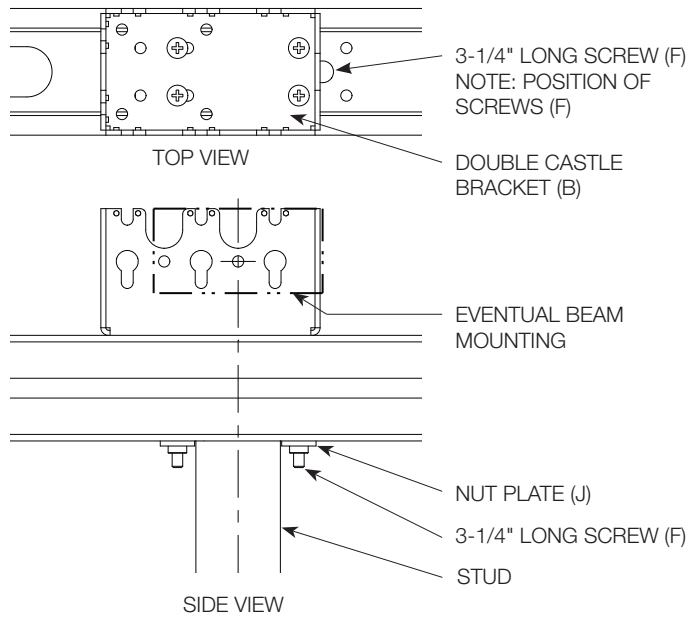
Rockwell Unscripted® Creative Wall® Install Instructions

Enclosure Beam to Wall Frame

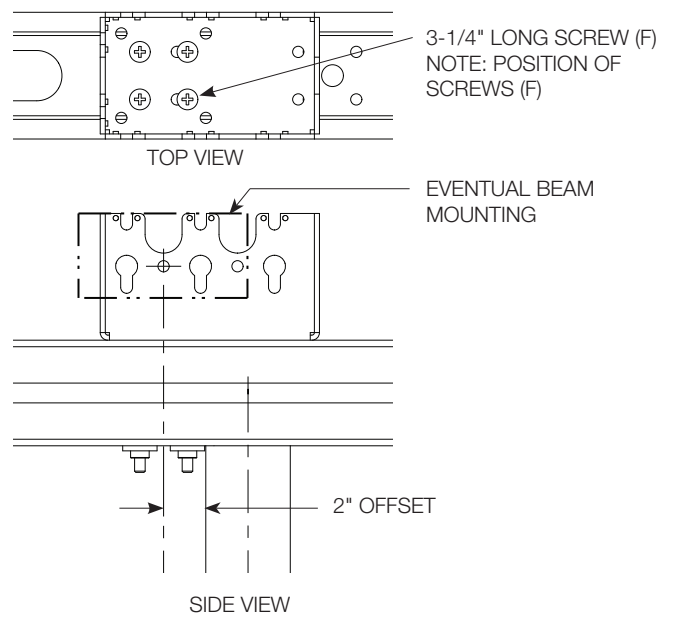
Location 3 & 4

Off-module straddling or offset of a 2" stud or joined 1" end-uprights:

1. Double Castle Bracket (B) allows for beam to be mounted centered on a stud or offset by 2" right or left of the stud. Mount Double Castle Bracket (B) with four 3-1/4" long pan head screws (F) and two 1/4-20 Nut Plates (J).

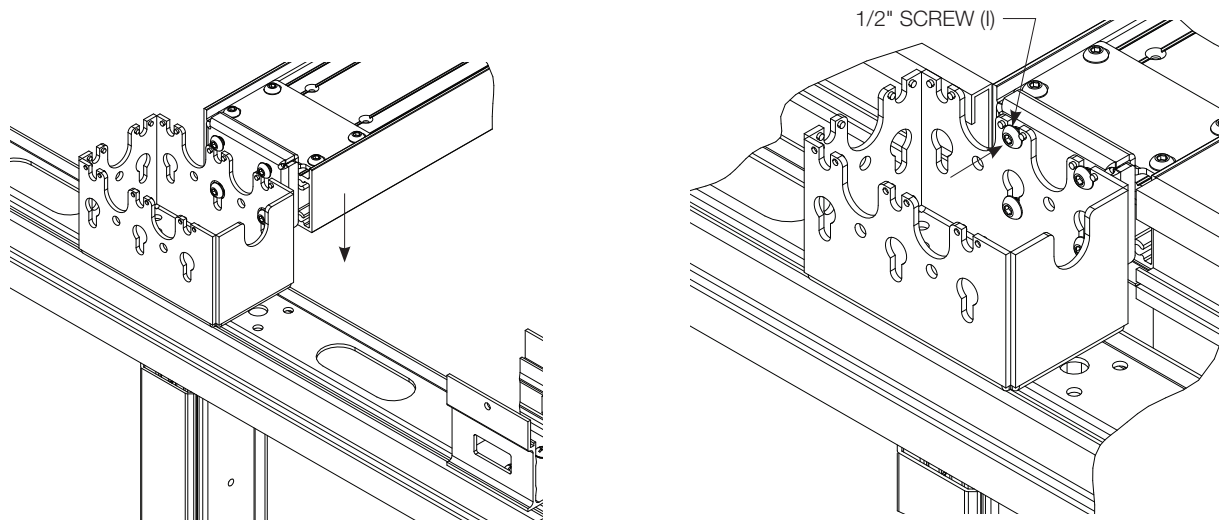


BEAM ALIGNED WITH STUD



BEAM OFFSET 2" FROM STUD

2. Install Enclosure Beam by inserting the four 2" long button head screws (I) started in Step 1 into keyholes on the side of the Double Castle Bracket (B). Lower the beam in place and tighten the four screws (I).

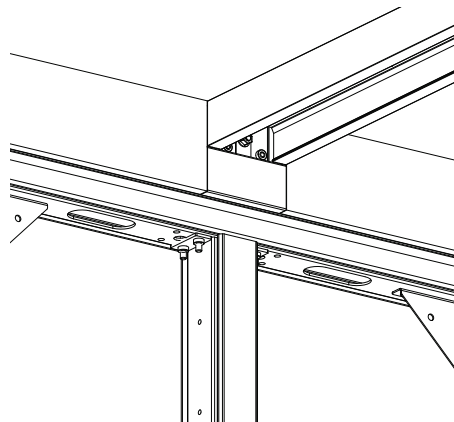
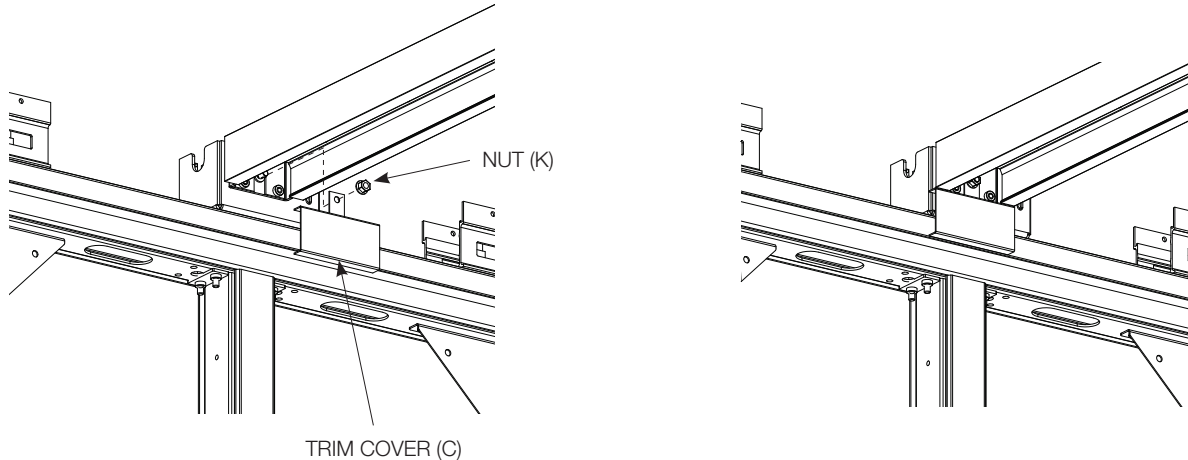


* Offset installation shown

Rockwell Unscripted® Creative Wall® Install Instructions

Enclosure Beam to Wall Frame

7. Install Trim Cover (C) to stud on Beam Mounting Bracket (D) with nut (K).



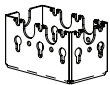
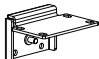
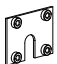
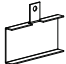
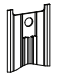


With horizontal trim covers installed

* Offset installation shown

Rockwell Unscripted® Creative Wall® Replacement Parts

Enclosure Beam to Wall Frame

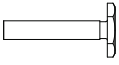
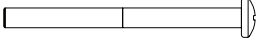

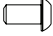

Description	Reference*	Replacement Pattern Number
1/4-20 Nut plate 	6AJ4053	KR6AJ4053 HLKR6AJ4053 24-Response Includes: 6AJ4053 - qty 1 (Total required per assy = 2)
Castle bracket 	6AJ1234	KR6AJ1234 HLKR6AJ1234 24-Response Includes: 6AJ1290 - qty 1
Double castle bracket 	6AJ1191	KR6AJ1191 HLKR6AJ1191 24-Response Includes: 6AJ1191 - qty 1
Bracket weldment, enclosure beam to end bracket 	6AJ4233	KR6AJ4233 Includes: 6AJ4233 - qty 1
Nut plate, enclosed beam to castle bracket 	6AJ4244	KR6AJ4244 Includes: 6AJ4244 - qty 1
Trim cover, enclosure beam to creative wall 	6AJ4236	KR6AJ4236() Includes: 6AJ4236 - qty 1
End Trim, enclosure beam, notched with hole 	6AJ110405	KR6AJ110405() Includes: 6AJ110405 - qty 1

General Notes

1. "HL" and "ZZ" prefix in pattern number denotes 24-Response. Part will be shipped within 24-hours via ground service, pending availability; quantity limits and higher pricing apply.
2. See the product [Price Lists on www.Knoll.com](http://www.Knoll.com) for material, textile, and finish options denoted by ().
3. * Not offered as an orderable service part number.

Rockwell Unscripted® Creative Wall® Replacement Parts

Enclosure Beam to Wall Frame

Description	Reference*	Replacement Pattern Number
Thin head hex bolt 1/4-20 x 1.25 (leveler) 	6AJ4025	KR6AJ4025 HLKR6AJ4025 24-Response Includes: 6AJ4025 - qty 1
Screw, pan head phillips drive, 1/4-20 x 3.25", black, with lockpatch 	6AJ4022	KR6AJ4022 HLKR6AJ4022 24-Response Includes: 6AJ4022 - qty 1 (Total required per assy = 4)
Screw, button head, hex drive, 1/4-20 x 1", black, with lock-patch 	6AJ4017	KR6AJ4017 HLKR6AJ4017 24-Response Includes: 6AJ4017 - qty 1 (Total required per beam = 4)
Screw, button head, socket cap, 1/4-20 x .5", black, with lockpatch 	6AJ4039	KR6AJ4039 HLKR6AJ4039 24-Response Includes: 6AJ4039 - qty 1 (Total required per assembly = 10)
Hex nut with lock washer, 1/4-20, zinc 	1A52309H01	KR1A52309H01 HLKR1A52309H01 24-Response Includes: 1A52309H01 - qty 1

General Notes

1. "HL" and "ZZ" prefix in pattern number denotes 24-Response. Part will be shipped within 24-hours via ground service, pending availability; quantity limits and higher pricing apply.
2. See the product [Price Lists on www.Knoll.com](http://www.Knoll.com) for material, textile, and finish options denoted by ().
3. * Not offered as an orderable service part number.

Rockwell Unscripted® Creative Wall® Install Instructions

Enclosure Fins and Doors

Pattern Numbers Represented:

Enclosure Fin Door, **UBED90**__

Unscripted Borders height extension for pivoting fins, **UBEPF**

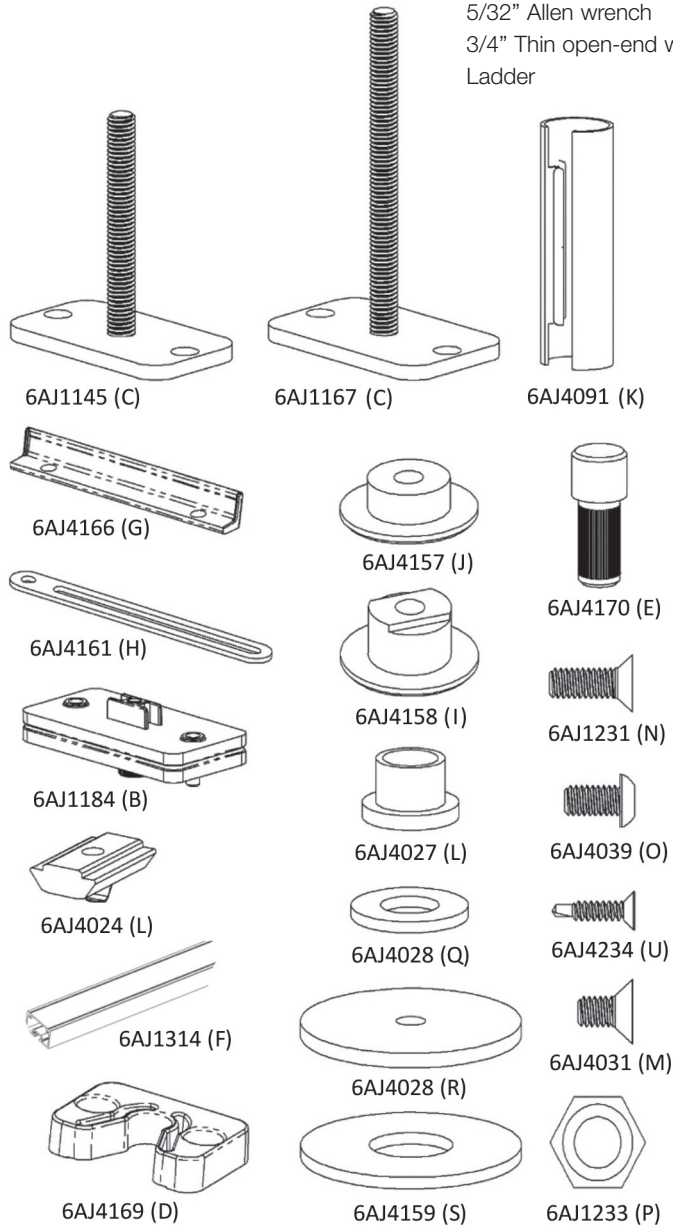
Unscripted Borders leveler covers pivoting fins, **UBLCP**

Tools Needed:

- Drill
- Phillips #2 & #3 bits
- 5/32" Allen wrench
- 3/4" Thin open-end wrenches (2)
- Ladder

Part List:

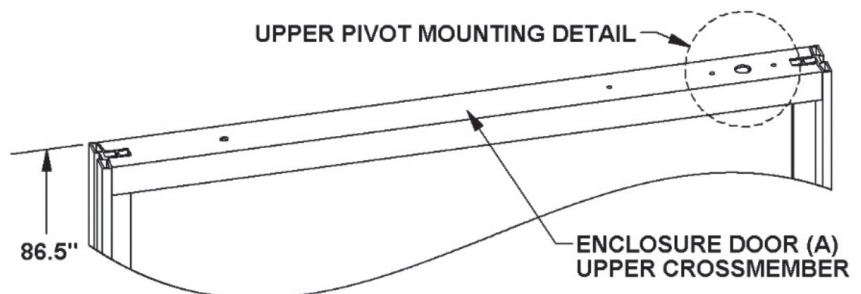
- (A) Enclosure door
- (B) Top pivot (1 per door)
- (C) Floor pivot (1 per door)
- (D) Catch (1 per door)
- (E) Catch pin (1 per door)
- (F) Door header (1 per door)
- (G) Handle (2 per door)
- (H) Door linkage (1 per door)
- (I) Beam pivot (1 per door)
- (J) Door pivot (1 per door)
- (K) Stem cover (1 per floor pivot) (1 per door)
- (L) Rail nut (5 per door)
- (M) 1/4-20 x 1/2" Flat head cap screw (8 per door)
- (N) 1/4-20 x 3/4" Flat head screw (2 per door)
- (O) 1/4-20 x 1/2" Button head screw (2 per door)
- (P) 1/2-13 Hex jam nut (2 per floor pivot) (2 per door)
- (Q) 1/2" ID steel washer (1 per floor pivot) (1 per door)
- (R) 2" OD x 1/4" ID plastic washer (1 per door)
- (S) 2" OD x 3/4" ID plastic washer (1 per door)
- (T) 1/2" ID sleeve bearing (1 per floor pivot) (1 per door)
- (U)#8 x 3/4" Flat head drill-point screw (8 per door)



STEPS:

Note:

- The Enclosure Door frame comes fully assembled. It is similar to the Enclosure Fixed Fin except it is 2" shorter and has the hole pattern in the upper crossmember as shown.
- The Enclosure Door must be screwed to the floor. All associated standard Enclosure Fixed Fins, Beams, Enclosure Columns and Creative Walls must first be installed, height adjusted, leveled and placed in their final locations before installing the Enclosure door.

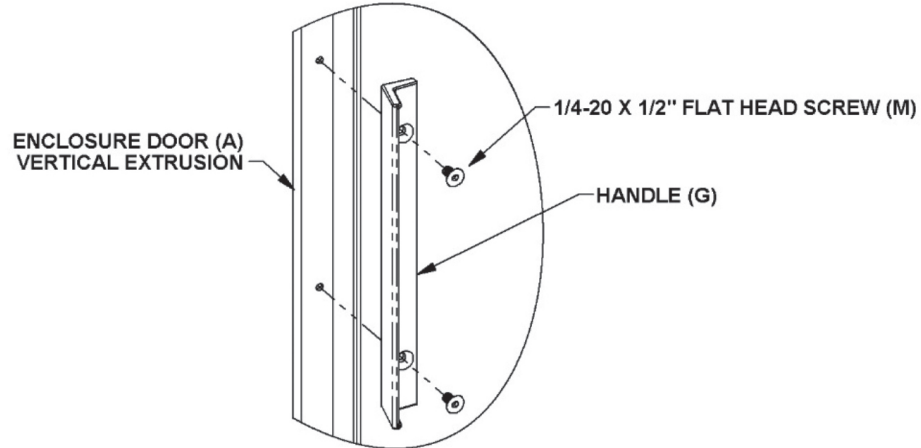


Rockwell Unscripted® Creative Wall® Install Instructions

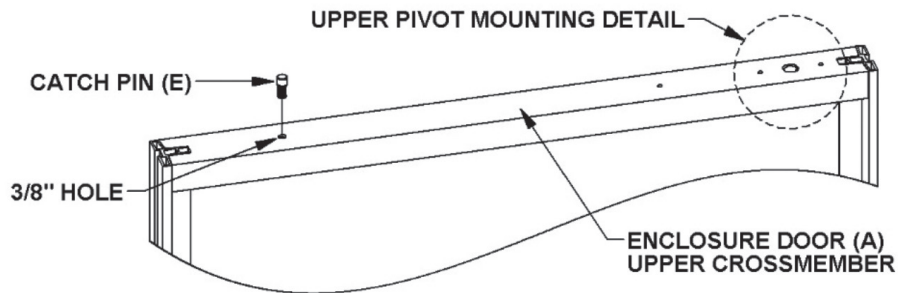
Enclosure Fins and Doors

1. Install (2) Handles (G) to the Door's (A) vertical extrusion (one on each side of the vertical extrusion) using (2) 1/4-20 x 1/2" Flat Head Cap Screws (M) in each handle.

Note: The corresponding vertical extrusion has pre-drilled tapped holes.



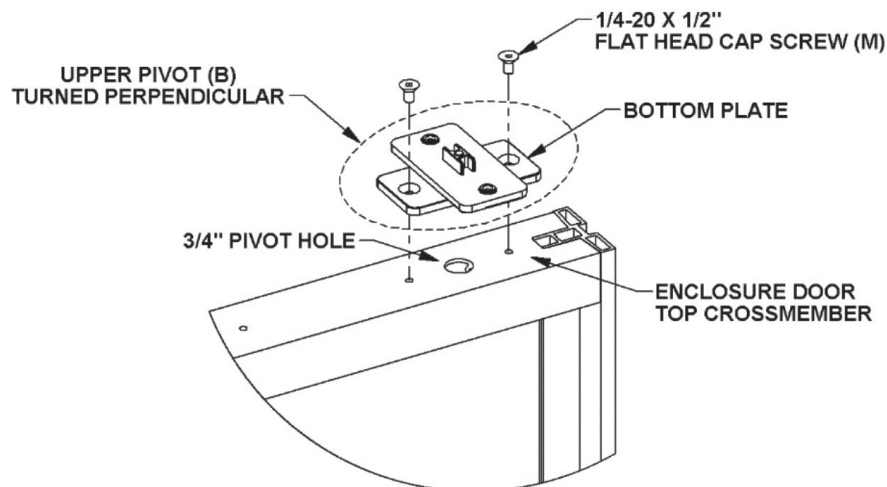
2. Install the Catch Pin (E) to the top of the Door (A) by carefully tapping the knurled end of the pin into the 3/8" hole in the Door's upper crossmember. The pin must be straight and fully engaged.



3. Top pivot (B) installation to Enclosure Door (A).

3.1. Rotate the plates of the Top pivot (B) perpendicular to each other to gain access to the mounting holes in the bottom plate. The bottom plate is the one with the head of the center pivot bolt.

3.2. Place Top pivot (B) on the top crossmember of the Door (A) with the bottom plate in-line with the corresponding set of threaded holes and pivot clearance hole for the pivot bolt. Install (2) 1/4-20 x 1/2" Flat Head Cap Screws (M).



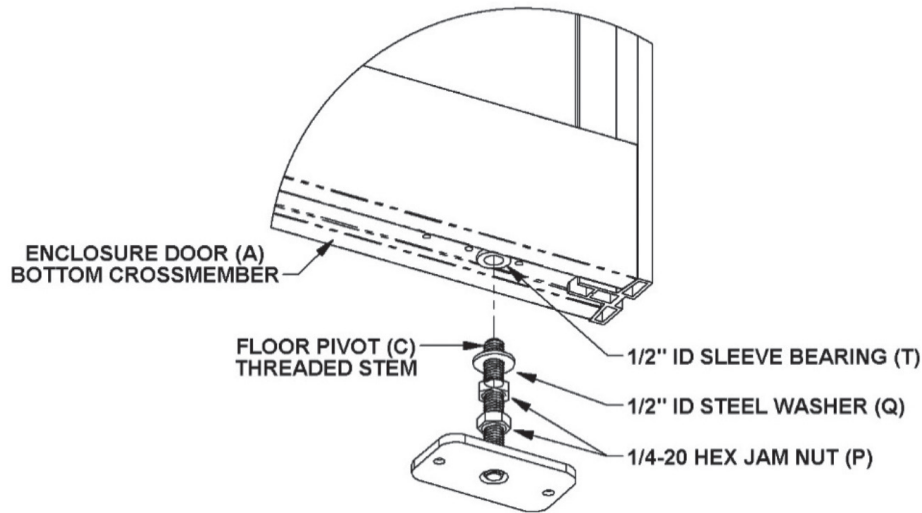
Rockwell Unscripted® Creative Wall® Install Instructions

Enclosure Fins and Doors

4. Floor Pivot (C) installation to Enclosure Door (A).

4.1. Install (1) 1/2" ID Sleeve Bearing (T) into the hole in the bottom crossmember of the Door (A) in-line with the Top pivot (B).

Note: If the Bushing does not easily fit into the hole in the Door, lightly tap it into place.



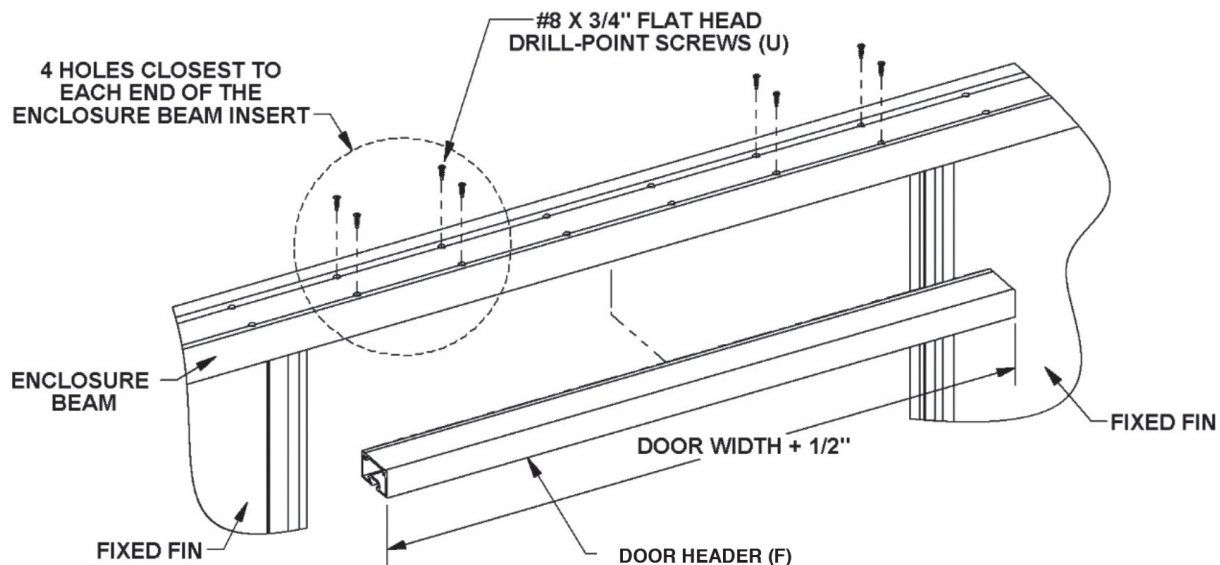
4.2. Install (2) 1/2-13 Hex Jam Nuts (P) and (1) 1/2" ID Steel Washer (Q) on the threaded stem of the Floor Pivot (C) as shown.

4.3. Insert the stem into the 1/2" ID Sleeve Bearing (T) previously installed in the Door (A).

5. Enclosure Door installation to Enclosure Beam.

Note: These instructions show installation into the space between 2 Enclosure Fixed Fins. The Door can also be installed perpendicular to a standard Creative Wall or Enclosure Column.

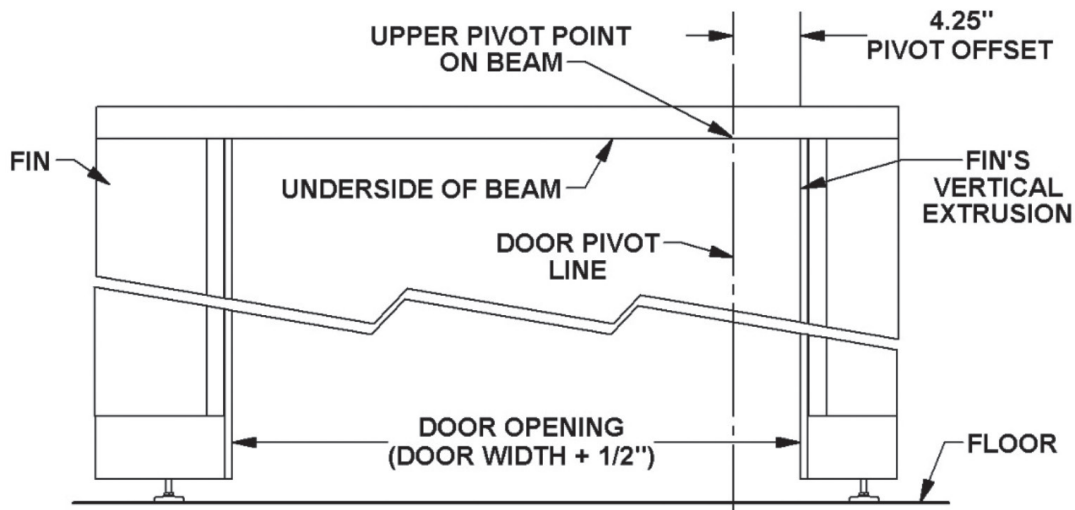
5.1. Install the Door header (F) into the wide groove on the bottom of the Enclosure Beam by installing (8) #8 x 3/4" Flat Head Drill-Point Screws (U) through holes in the top of the Beam and into the top of the Door header (F). Four screws must be used at the 4 most outboard locations at the ends of the Door header (F).



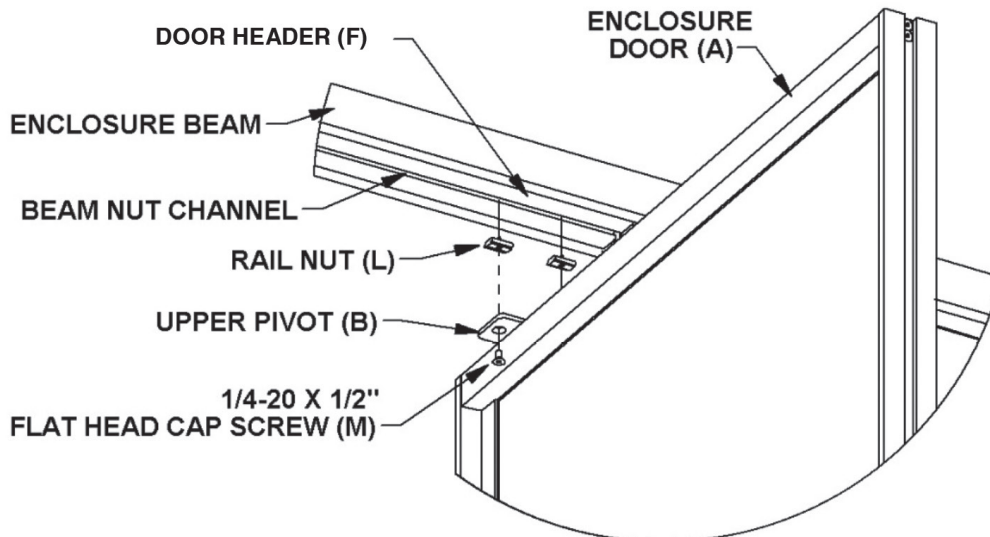
Rockwell Unscripted® Creative Wall® Install Instructions

Enclosure Fins and Doors

5.2. Within the door opening, determine and mark the approximate pivot point location for the Top pivot (B).



5.3. Install (2) Rail Nuts (L) in the Beam nut channel at the marked pivot point on the Beam. These Rail Nuts (L) should be 1-1/2" on either side of the pivot point.



5.4. Carefully stand the Door (A) vertical and perpendicular to the Beam with the Top pivot (B) lined up with the Rail Nuts (L) installed in the Beam Nut Channel. Install (2) 1/4-20 x 1/2" Flat Head Cap Screws (M) through the top plate of the Top pivot (B) and into the Rail Nuts (L).

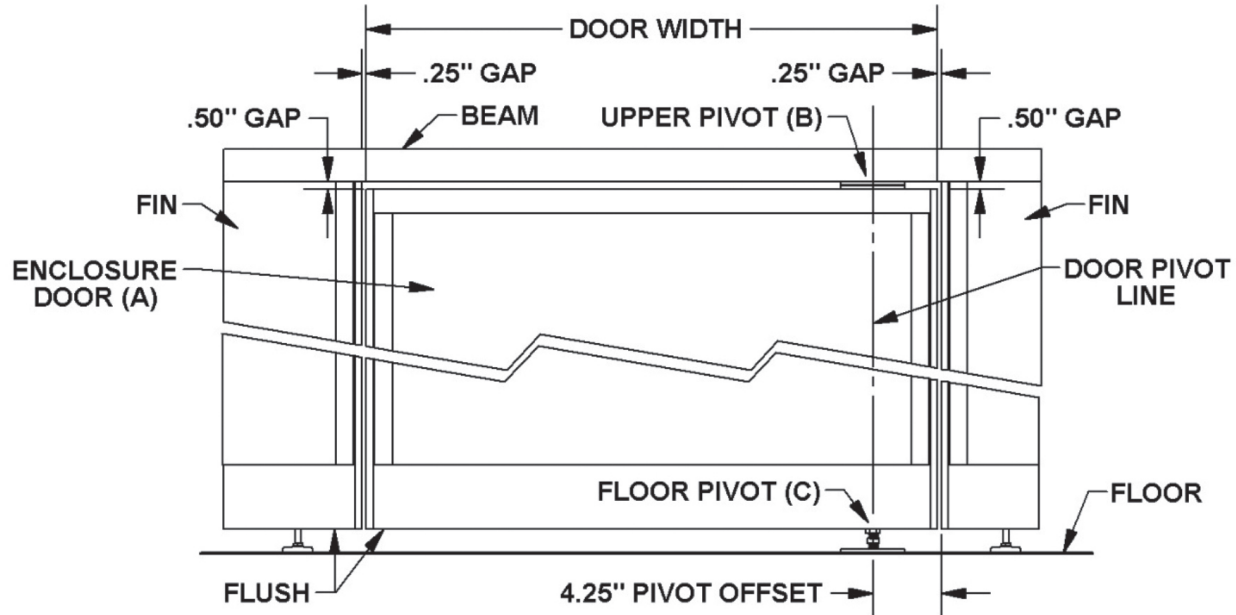
Note: The Floor Pivot (C) must still be installed at the bottom of the Door (A) as previously instructed in Step 4c.

5.5. Rotate the Door (A) so that it is in line with the Beam. Turn the Floor Pivot (C) so that it is parallel with the Door (A).

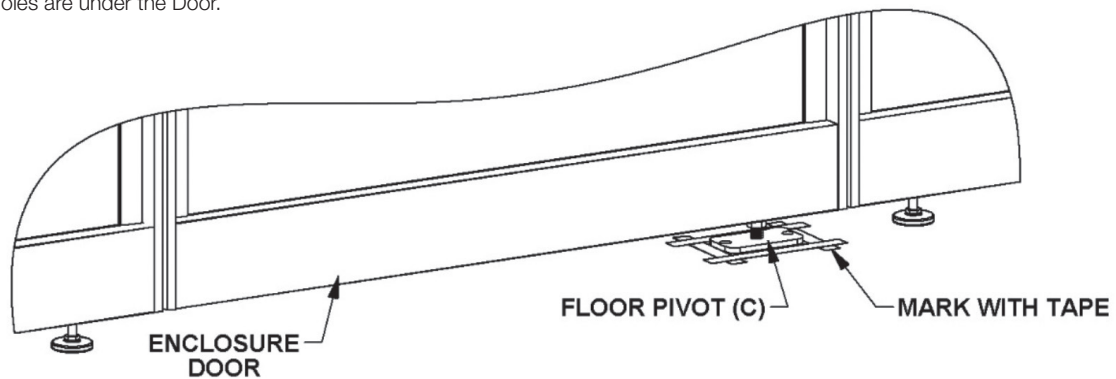
Rockwell Unscripted® Creative Wall® Install Instructions

Enclosure Fins and Doors

- 5.6. Make final adjustments to the position of the Door (A) while maintaining the 1/4" vertical gaps. Ensure that the Door (A) is vertical. The nominal 1/2" gap between the top of the Door and the underside of the Beam must be uniform across the width of the Door and can be adjusted by moving the Floor Pivot (C) side to side. Height can be adjusted by running the top 1/2-13 Hex Jam Nut (P) on the Floor Pivot's stem up or down.

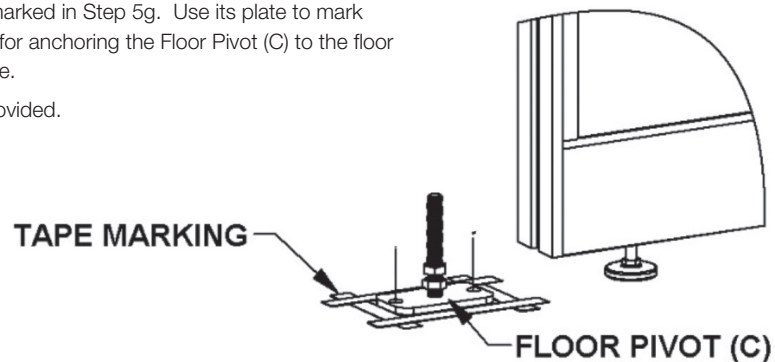


- 5.7. Mark the location of the Floor Pivot (C) using tape to outline the edges of the Floor Pivot. Ensure that the Floor Pivot is in line with the Door (A) and the screw holes are under the Door.



- 5.8. Carefully rotate the Door (A) perpendicular to the Beam. Remove the (2) 1/4-20 x 1/2" Flat Head Screws (M) attaching the Top pivot (B) to the Beam and move the Door away from the Beam. Lay the Door on the floor and remove the Floor Pivot (C) from the bottom crossmember.
- 5.9. Position the Floor Pivot (C) at the location marked in Step 5g. Use its plate to mark the screw locations on the floor. Drill holes for anchoring the Floor Pivot (C) to the floor using appropriate hardware for the floor type.

Note: Floor attachment hardware is not provided.



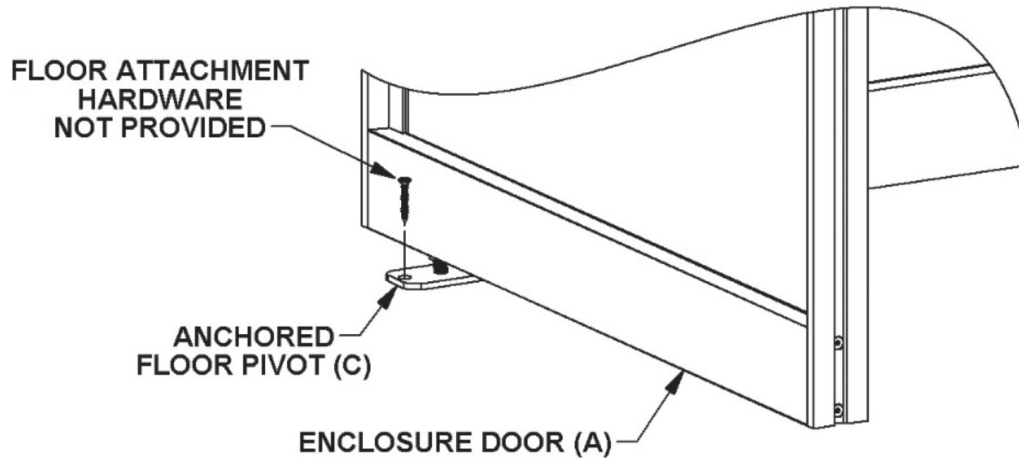
Rockwell Unscripted® Creative Wall® Install Instructions

Enclosure Fins and Doors

5.10. Install the Floor Pivot (C) back into the bottom crossmember of the Door (A) and reinstall the Door to the Beam.

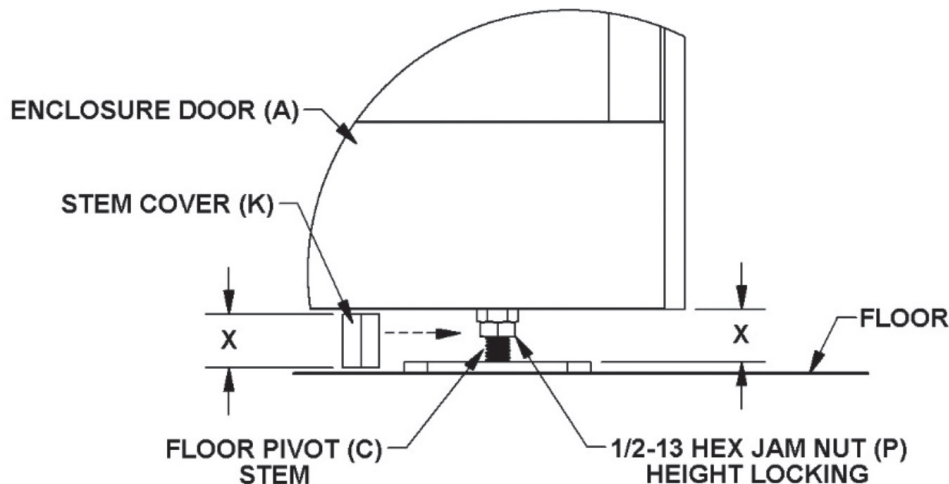
Note: Ensure that the (2) 1/2-13 Hex Jam Nuts (P) and 1/2" ID Steel Washer (Q) are correctly positioned as in Step 4b.

5.11. With the Door (A) perpendicular to the Beam, realign the Floor Pivot (C) with the drilled anchor holes in the floor and screw it to the floor taking care not to scratch the paint on the Door. Ensure the Door swings freely, aligns with the Beam, is vertical with 1/4" gaps between the adjacent fixed fins and that the 1/2" horizontal gap between the Door and Beam is uniform. Once adjusted, run the bottom 1/2-13 Hex Jam Nut (P) on the stem of the Floor Pivot (C) tightly against the top Jam Nut to lock the position.



5.12. Measure the gap between the top of the Floor Pivot (C) and the bottom of the Door (A). If this distance is greater than 1-1/2", a Stem Cover (K) can be ordered, cut to length and snapped around the threaded stem and nuts.

Note: The cover can be measured and cut from either end.

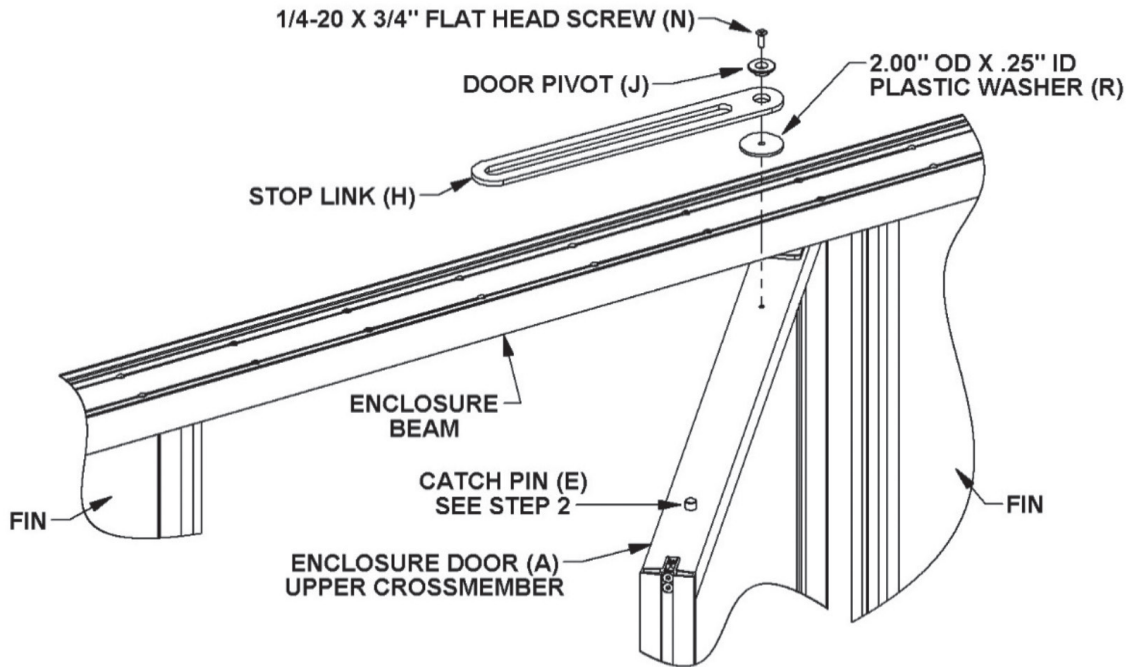


Rockwell Unscripted® Creative Wall® Install Instructions

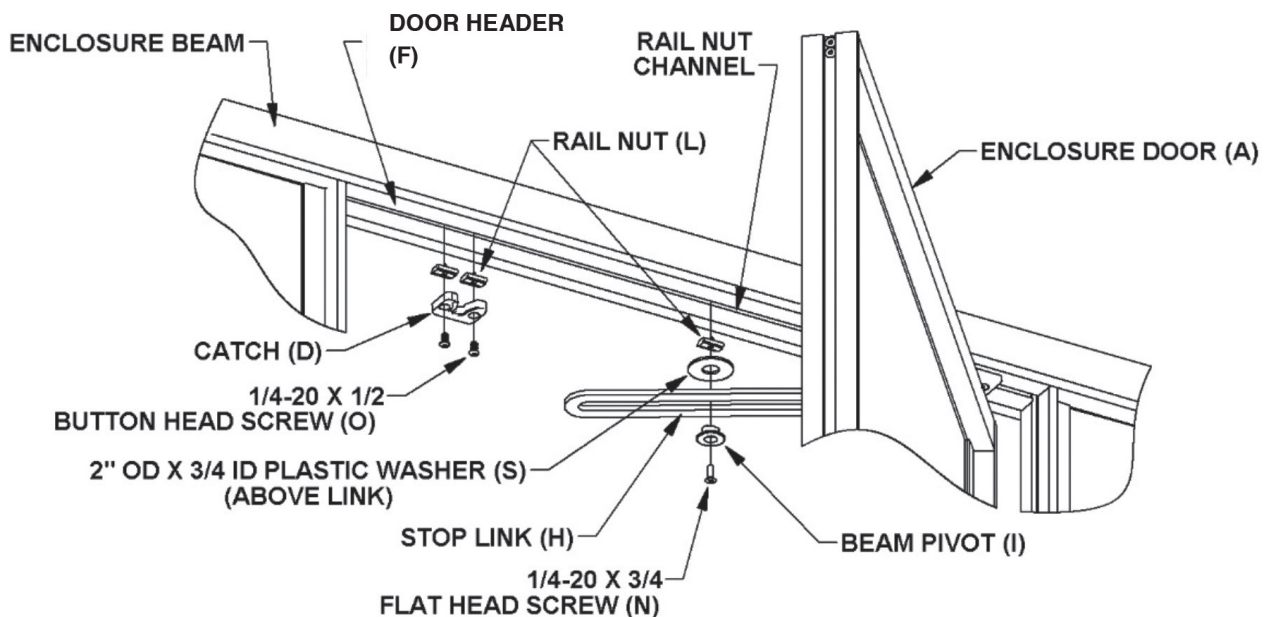
Enclosure Fins and Doors

6. Catch (D) and Door linkage (H) installation.

6.1. Install the Door linkage (H) to the top of the Door (A) using the (1) 1/4-20 x 3/4" Flat Head Screw (N). The Door Pivot (J), Door linkage (H) and 2" OD x 1/4" ID Plastic Washer (R) must be assembled in the order as shown.



6.2. Install the Catch (D) to the underside of the Beam by installing (2) Rail Nuts (L) into the nut channel on the bottom of the Beam and (2) 1/4-20 x 1/2" Flat Head Cap Screws (M) through the Catch (D). The Catch (D) must line up with the Catch Pin (E) previously installed in the top crossmember of the Door (A).



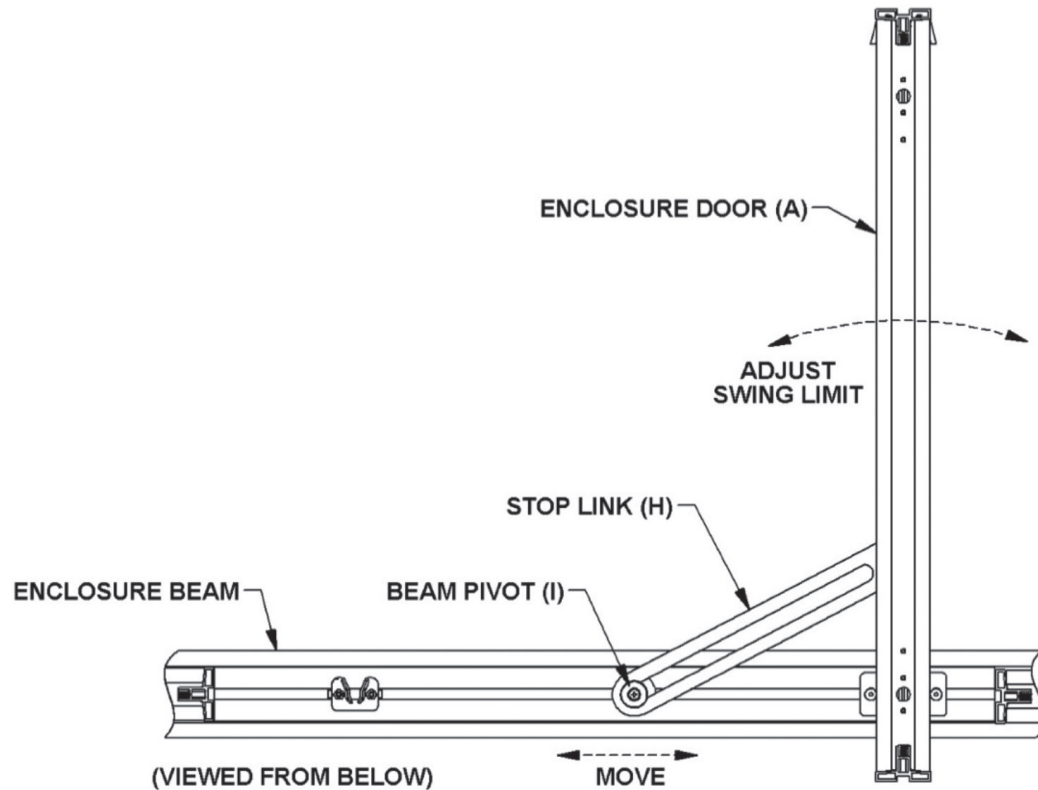
Rockwell Unscripted® Creative Wall® Install Instructions

Enclosure Fins and Doors

6.3. Install the Door linkage (H) to the underside of the Beam by installing a Rail Nut (L) in the Rail Nut Channel on the bottom of the Door header (F) with the 1/4-20 x 3/4" Flat Head Screw (N). The Beam Pivot (I), Door linkage (H) and 2" OD x 3/4" ID Plastic Washer (S) must be assembled in the order as shown.


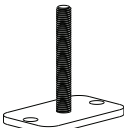
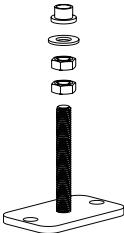




Note: The 2" OD x 3/4" ID Plastic Washer (S) must be positioned between the top of the Door linkage (H) and the underside of the Door header (F). The Beam Pivot (I) must key into the Rail Nut Channel in the Door header (F) to prevent it from turning.

6.4. Adjust how far the Door (A) can swing open by moving the Beam Pivot's (I) position along the Enclosure Beam so that the door does not hit any adjacent column, Fixed Fin or Creative Wall when fully open. Ensure that the door can fully close and catch.



Rockwell Unscripted® Creative Wall® Replacement Parts

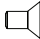






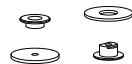
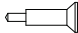
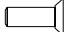
Enclosure Fins and Doors

Description	Reference*	Replacement Pattern Number
Top pivot assembly 	6AJ1184	KR6AJ1184() Includes: 6AJ4024 - qty 2 (spring nut) 6AJ1186 - qty 1 (bracket, upper) 6AJ4031 - qty 4 (flh screw) 6AJ1185 - qty 1 (bracket, lower) 6AJ1187 - qty 1 (bushing) 6AJ1188 - qty 1 (shoulder screw)
Floor pivot 	6AJ1145	KR6AJ1145() Includes: 6AJ1145() - qty 1
Floor pivot, with hardware 	6AJ0009 Not shown in install instructions	KR6AJ0009() Includes: 6AJ4027 - qty 1 (bearing) 6AJ4028 - qty 1 (washer) 6AJ1233 - qty 2 (nut) 6AJ1145 - qty 1 (floor pivot weldment)
Floor pivot kit, tall, with hardware 	6AJ1167	KR6AJ1167KIT() Includes: 6AJ4027 - qty 1 (bearing) 6AJ4028 - qty 1 (washer) 6AJ1233 - qty 2 (nut) 6AJ1167 - qty 1 (tall floor pivot weldment)
Plunger catch assembly 	6AJ4024 6AJ4023 6AJ4031 Not shown in install instructions	KR6AJ1157 Includes: 6AJ4024 - qty 2 (spring nut) 6AJ4023 - qty 1 (plunger catch) 6AJ4031 - qty 2 (flh screw) (Total required per fin = 1-2)
Plunger catch 	6AJ4023	KR6AJ4023 Includes: 6AJ4023 - qty 1
Spring slot rail nut, 1/4-20, black 	6AJ4024	KR6AJ4024 HLKR6AJ4024 24-Response Includes: 6AJ4024 - qty 1 (Total required per pivot assy = 2)

General Notes

1. "HL" and "ZZ" prefix in pattern number denotes 24-Response. Part will be shipped within 24-hours via ground service, pending availability; quantity limits and higher pricing apply.
2. See the product [Price Lists on www.Knoll.com](http://www.Knoll.com) for material, textile, and finish options denoted by ().
3. * Not offered as an orderable service part number.

Rockwell Unscripted® Creative Wall® Replacement Parts Enclosure Fins and Doors (cont.)

Description	Reference*	Replacement Pattern Number
Screw, flat head, hex drive, 1/4-20 x .5", black, with lockpatch 	6AJ4031	KR6AJ4031 HLKR6AJ4031 24-Response Includes: 6AJ4031 - qty 1 (Total required per plunger catch = 2)
Hex jam nut, 1/2-13 x 5/16" thick, black 	6AJ1233	KR6AJ1233 HLKR6AJ1233 24-Response Includes: 6AJ1233 - qty 1 (Total required per floor pivot = 2)
Washer, 1.06" OD x .53" ID x .08" thk, zinc 	6AJ4028	KR6AJ4028 HLKR6AJ4028 24-Response Includes: 6AJ4028 - qty 1
Flanged sleeve bearing 	6AJ4027	KR6AJ4027 Includes: 6AJ4027 - qty 1
Spring plunger 	6AJ4030	KR6AJ4030 HLKR6AJ4030 24-Response Includes: 6AJ4030 - qty 1 (Total required per fin = 2)
Fin wall door header extrusion, 36 inch 	6AJ131413	KR6AJ131413() Includes: 6AJ131413() - qty 1
Fin door linkage bar 	6AJ4161	KR6AJ4161() Includes: 6AJ4161() - qty 1
Enclosure fin door linkage bushings and washers kit 	6AJ4194	KR6AJ4194 Includes: 6AJ4157 - qty 1 (bushing, door end) 6AJ4158 - qty 1 (bushing, beam end double d) 6AJ4159 - qty 1 (washer) 6AJ4160 - qty 1 (washer)
Enclosure fin wall hardware kit (16 screws) 	6AJ4235	KR6AJ4235 Includes: 6AJ4235 - qty 1 (kit of 16)
Screw, undercut flat head, phillips drive, 1/4-20 x .75", black, with lockpatch 	6AJ1231	KR6AJ1231 HLKR6AJ1231 24-Response Includes: 6AJ1231 - qty 1

General Notes

1. "HL" and "ZZ" prefix in pattern number denotes 24-Response. Part will be shipped within 24-hours via ground service, pending availability; quantity limits and higher pricing apply.
2. See the product [Price Lists on www.Knoll.com](http://www.Knoll.com) for material, textile, and finish options denoted by ().
3. * Not offered as an orderable service part number.

Rockwell Unscripted® Creative Wall® Install Instructions

Enclosure Floor Track

Pattern Numbers Represented:

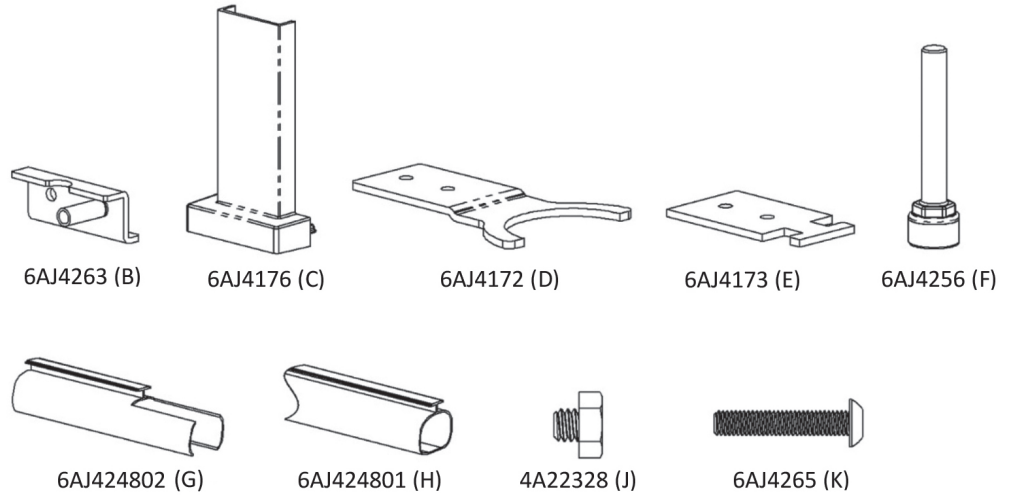
- End Cap, **UBEFTE**
- Leveler and Locks, **UBEFTL**
- Track to Wall Locator, **UBEFTW**
- Track to Column Locator, **UBEFTC**
- Floor Track Bulb Seal Kit, **UBEFTO**
- Floor Track **UBEFT__~**

Tools Needed:

- 5/32" Allen wrench
- 1/2" Thin open-end wrenches
- 7/16" Thin open-end wrenches
- Utility knife

Part List:

- (A) Floor track
- (B) Clearance glide clamp
- (C) End cap
- (D) Glide fork
- (E) Column hook
- (F) Track Glide
- (G) End bulb seal
- (H) Mid bulb seal
- (J) 1/4-20 x 3/16" Hex head screw
- (K) #10-24 x 1" Button head screw

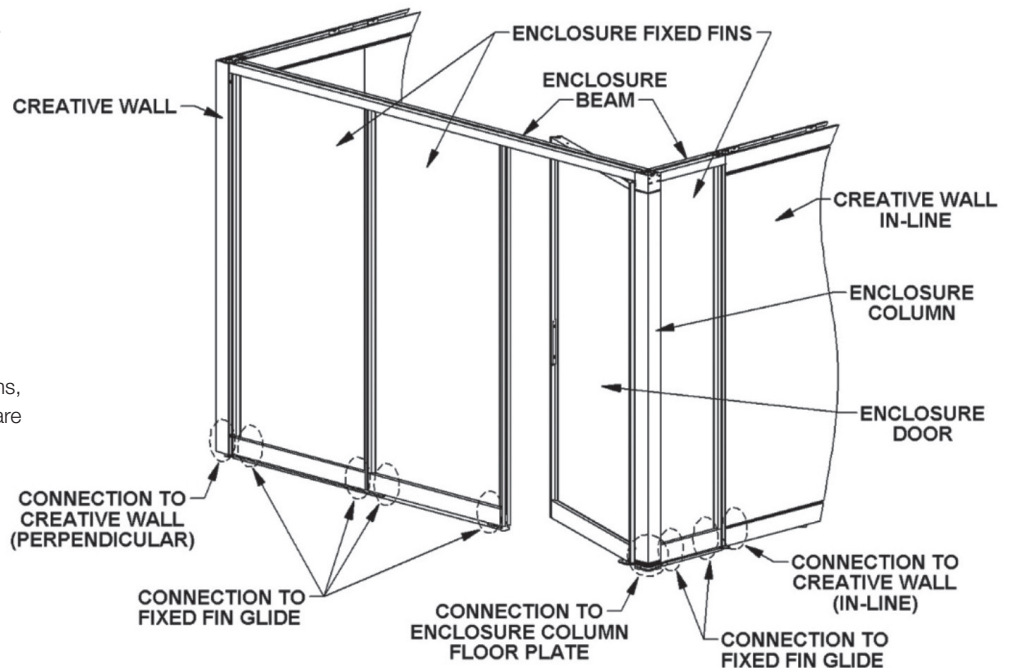


STEPS:

Note:

- Enclosure Floor Tracks are used to:
 - Attach Enclosure Fixed Fins to the floor.
 - Align and link with Enclosure Columns and Creative Walls.
 - Close the gaps between the floor and the bottom of the Fixed Fins.
- All Standard Creative Walls must be in their final positions and fully installed before installing the Enclosure Floor Track and associated hardware.
- All Enclosure Floor Tracks must be configured, positioned and screwed to the floor before Enclosure Columns, Enclosure Beams, Enclosure Fixed Fins and Enclosure Doors are installed.
- These installation instructions will use the shown example layout to demonstrate the various available connection details.

Example Layout



Rockwell Unscripted® Creative Wall® Install Instructions

Enclosure Floor Track

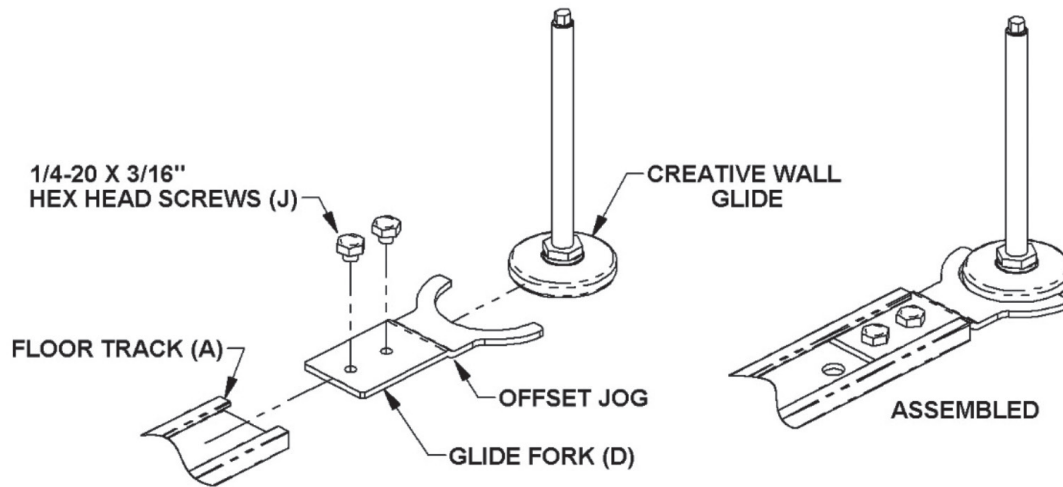
STEPS:

1. Determine which connections are needed:

- 1.1. Connection to Creative Wall using Glide Forks (D): When Enclosure Fixed Fins are located at the end of a Creative wall, Glide Forks (D) are needed to help with alignment. In the example layout, there are 2 such situations, one perpendicular to the track and one in-line with the track.

Note: These wall Glide Forks (D) can also be used anywhere the track lines up with a Creative Wall glide regardless of where it is along the wall.

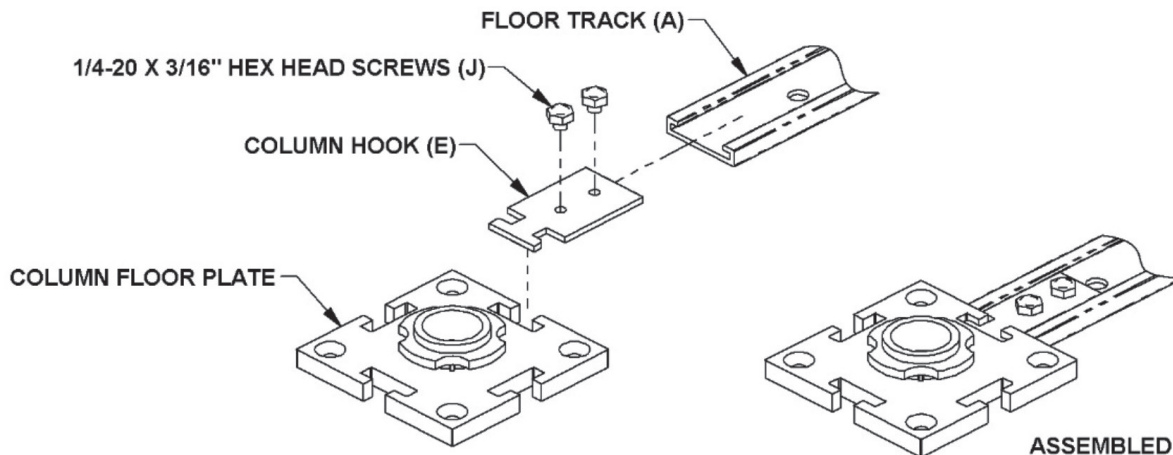
- Slide the square end of the Glide Fork (D) into the end of the Floor Track (A) noting the hooks offset jog orientation as shown. Nest the other end of the Glide Fork around the Creative Wall glide.
- Install the (2) 1/4-20 x 3/16" Hex Head Screws (J) into the threaded holes in the Glide Fork (D). Keep these screws loose until the Floor Track (A) is in its final position in Step 3.



- 1.2.. Connection to Enclosure Column using Column Hooks (E): Each Floor Track (A) coming into a Column is to be linked to the Enclosure Column's Floor Plate using a Column Hook. In the example layout there is one such connection.

Note: The Enclosure Column's Floor Plate is part of the Enclosure Column Kit.

- Slide the square end of the Column Hook (E) into the end of the Floor Track (A). Engage the T-hook end into the corresponding T-notch in the Enclosure Column Floor Plate.
- Install the (2) 1/4-20 x 3/16" Hex Head Screws (J) into the threaded holes in the Column Hook (E). Keep these screws loose until the Column Floor Plate is in its final position in Step 3.

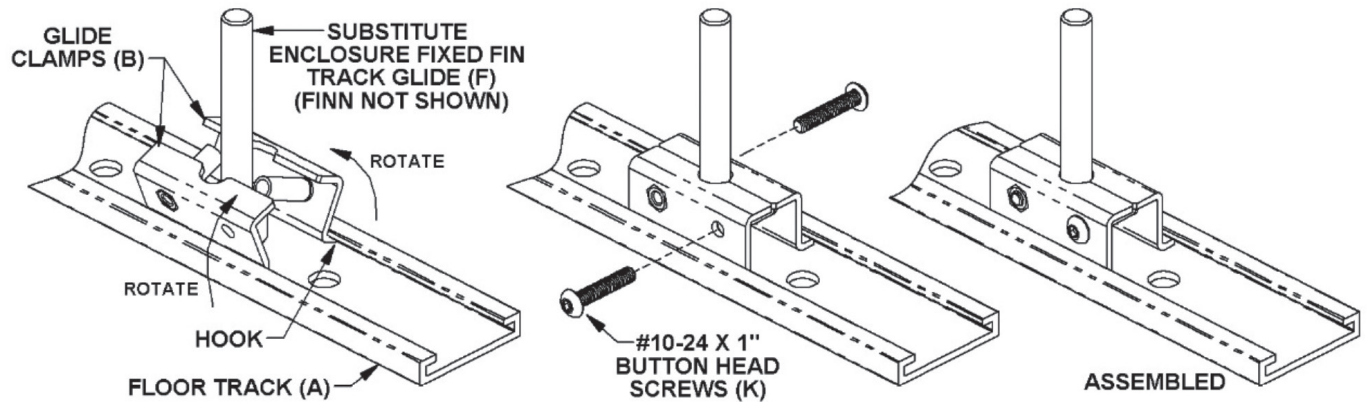


Rockwell Unscripted® Creative Wall® Install Instructions

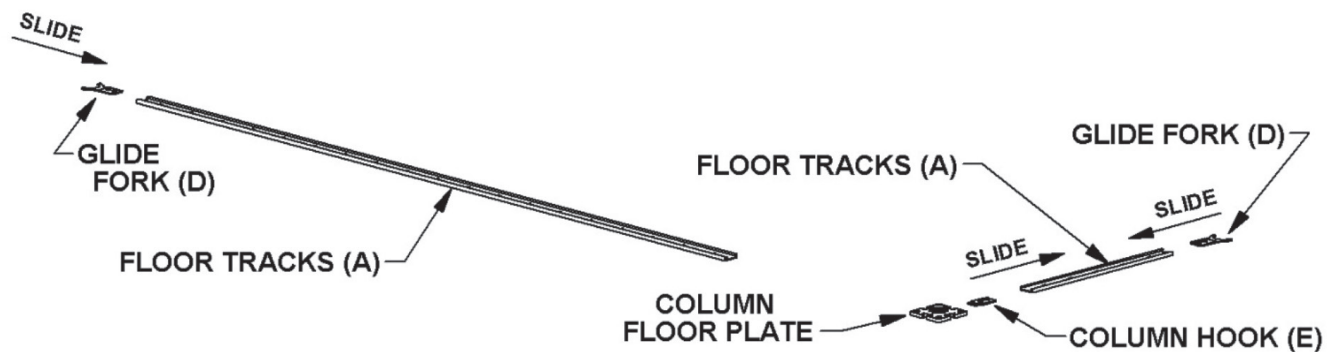
Enclosure Floor Track

1.3. Connection to Enclosure Fixed Fin Track Glides (F) using (2) Glide Clamps (B): Each Enclosure Fixed Fin has 2 glides. Each glide is 4" from the ends of the Fixed Fin. A pair of Glide Clamps (B) will be required at each of these glide locations. In the example layout, there are 6 Glide Clamp pairs needed (12 Glide Clamps (B)). Note: The standard glides that come with the Enclosure Fixed Fins will need to be replaced with Track Glides (F). These are a smaller diameter that can fit into the track and be trapped by the Enclosure Glide Clamps.

- After the Fixed Fin has been installed and it's Track Glides positioned in the Floor Track (A), hook the lower flanges of (2) opposing Glide Clamps (B) into the Floor Track and rotate them up to trap the glide stem.
- Install (2) #10-24 x 1" Button Head Screws (K) to lock the Glide Clamp pair together.



2. Configure the Floor Track (A): Roughly position the Floor Tracks and Column Floor Plates in the layout. This will help in determining where specific hardware is needed. The configuration for the example layout is shown. Assemble the various hardware at the ends of the track. Leave all fasteners loose for now. Note: The Column Floor Plate is part of the Enclosure Column Base kit.

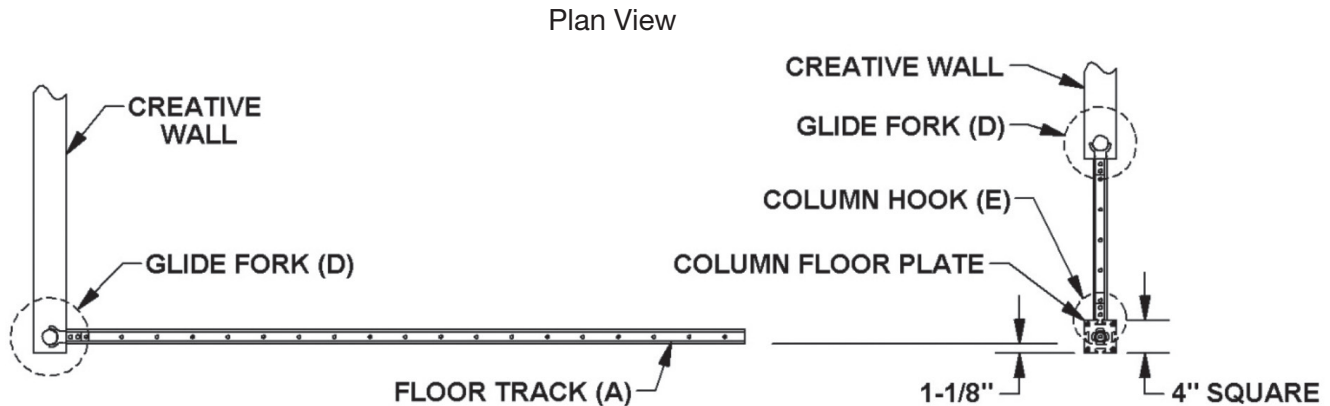


Rockwell Unscripted® Creative Wall® Install Instructions

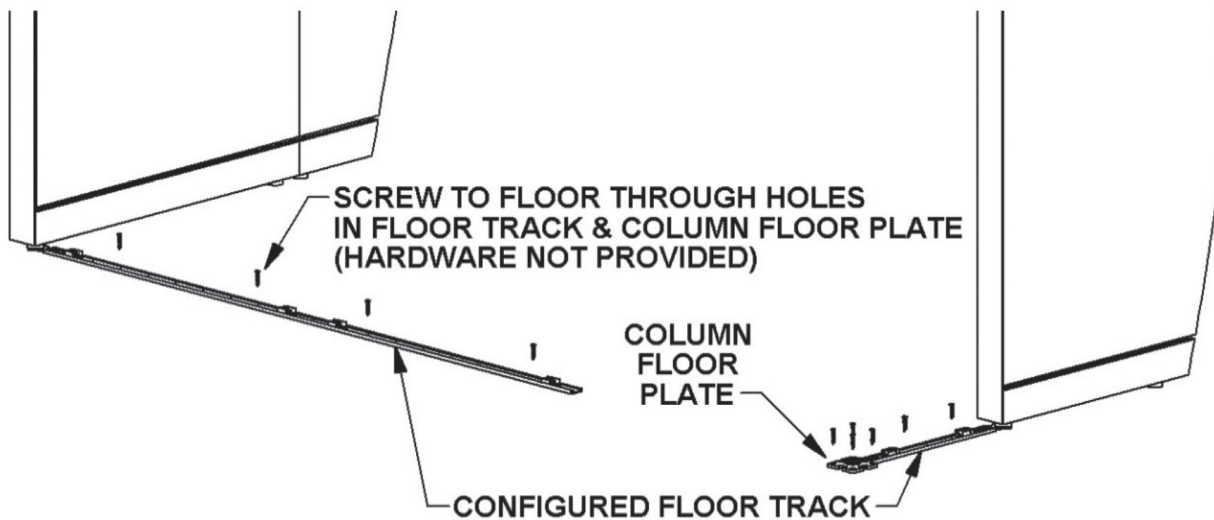
Enclosure Floor Track

3. Position the Floor Track (A): Correct positioning is critical to the layout since adjustments cannot be made once the track has been screwed to the floor.
- Note: All Creative Walls must be in their final locations.

- Engage the Column Hooks (E) into the Column Floor Plates and the Glide Forks (D) around the glides on the Creative Walls.
- Install (2) 1/4-20 x 3/16" Hex Head Screws (J) onto each Column Hook (E) and Glide Fork (D) to lock positions.



4. Anchor the Floor Track (A): Screw each section of Floor Track (A) and each Column Floor Plate to the floor using appropriate hardware for the floor type. It is recommended that the track be anchored to the floor in 2 places per Fixed Fin, at the locations nearest where the ends of each Fixed Fin will be.
- Note: Floor attachment hardware is not provided.

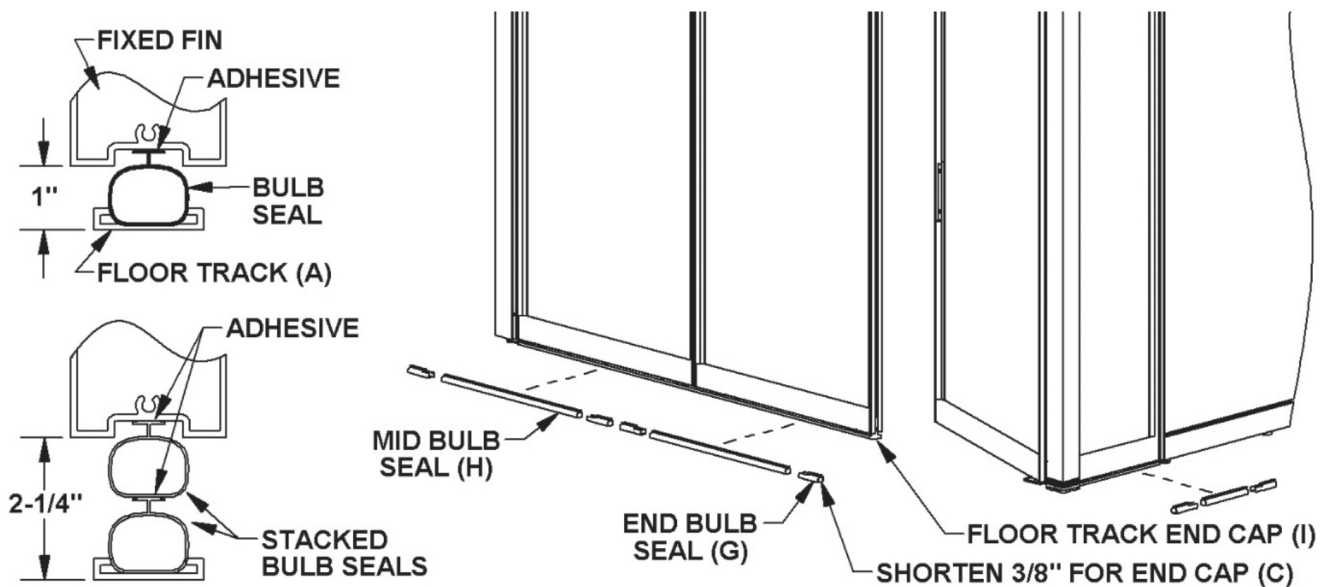


5. Install the Enclosure Columns and Enclosure Beams. Follow specific installation instructions for these components.
6. Install the Enclosure Fixed Fins: Follow the procedure in the Enclosure Fixed Fin Installation Instructions except with the following deviations:
- Replace the standard glides that come with the Enclosure Fixed Fins with Track Glides (F). These are a smaller diameter that can fit into the Floor Track (A) and be trapped by the Enclosure Glide Clamp (B) pairs.
 - Once the Fixed Fins have been installed and leveled, at each glide, hook the lower flanges of (2) opposing Glide Clamps (B) into the Floor Track (A) and rotate them up to trap the glide stem.
 - Install (2) #10-24 x 1" Button Head Screws (K) to lock the Glide Clamp pair together.

Rockwell Unscripted® Creative Wall® Install Instructions

Enclosure Floor Track

7. Fill the floor gap: The gap between the Floor Track (A) and the underside of the Fixed Fins can be filled with a flexible Bulb Seal. The T-tab of the extrusion has an adhesive strip that is used to hold it to the underside of the Fixed Fin. The bulb part of the extrusion can then compress to fill the remainder of the gap. Note: If the gap is too large to be filled by one Bulb Seal, 2 Bulb Seals can be stacked as shown.
- Install End Bulb Seals (G) at each end of the Fixed Fins, outboard of the glides. Note: The End Bulb Seal (G) comes pre-notched so that it fits over the glide clamp assembly and glide stem. At locations calling for Floor Track End Caps (C), the End Bulb Seal (G) will need to be cut $\frac{3}{8}$ " shorter in length to accommodate setback of the End Cap.
 - Install Mid Bulb Seals (H) between the Fixed Fin glides. This seal comes in 96" lengths and must be cut to length and to fit within the floor gap. Note: Multiple Mid Bulb Seals (H) pieces can be used to fill a length of gap as long as they are butted up against each other.



8. Install End Caps (C): End Caps (C) are used where the end of the Floor Track (A) is visible such as the door opening in the example layout. Cut the End Cap (C) to height and press it into the exposed end of the track. Note: The End Bulb Seal (G) will need to be cut $\frac{3}{8}$ " shorter in length to accommodate setback of the End Cap.

