

# Rockwell Unscripted® Creative Wall® Install Instructions

Wall Frames, Surfaces, Wall to Wall Connection Kits, Posts

## Table of Contents

<u>Wall Frame</u>	<u>1-5</u>
<u>Glide and Horizontal Trim Brackets</u>	<u>6-8</u>
<u>Wall Frame to Wall Frame</u>	<u>9-10</u>
<u>Off-Module Wall Frame</u>	<u>11-13</u>
<u>Vertical Surface</u>	<u>14-16</u>
<u>Full Height Vertical Surfaces</u>	<u>17-21</u>

# Rockwell Unscripted® Creative Wall® Install Instructions

## Wall Frame

### Pattern Numbers Represented:

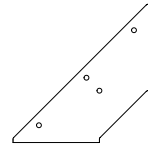
Unscripted Border Creative Wall  
Frame Knocked Down, **UBFK\_\_**

### Tools Needed:

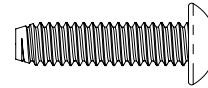
Drill  
Phillips #3 Bit (magnetic)  
5/32" Hex Bit (magnetic)  
4" & 12" Bit Adapter Extension

### Part List:

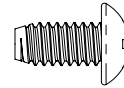
- (A) Horizontal (2 per assy)
- (B) 1" End-Upright (2 per assy)
- (C) 2" Mid-Upright (qty varies with frame size)
- (D) Gusset Plate (4 per assy)
- (E) ¼-20 x 1" Button Head Screw (16 per assy)
- (F) ¼-20 x ½" Pan Head Thread Forming Screw (16 per assy)



(D) 6AJ1139



(E) 6AJ4017



(F) 6AJ4109

### STEPS:

**Knocked Down** (The following steps are already completed for Pre-Assembled Walls)

#### Note:

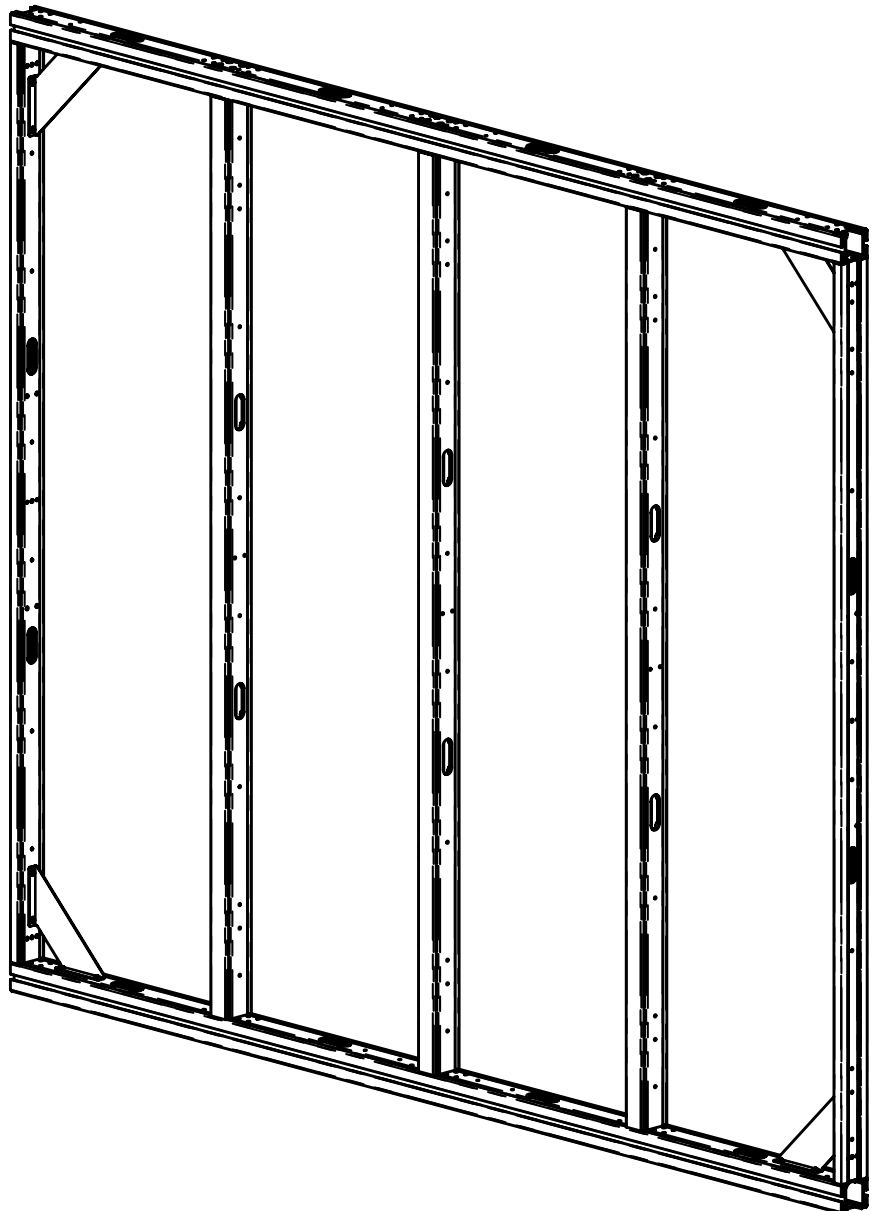
- It is recommended that large tables or some such elevated horizontal surface be used for this assembly.
- See illustrations on the next page while following these instructions.

1. Layout the Horizontals (A) and 1" End-Uprights (B) oriented as shown. Note the ramp side of the 1" End-Upright (B) must be on the inboard side as shown. The upper and lower Horizontals (A) have flipped orientations. The notched sides of the Horizontals (A) must be on the outboard sides as shown.
2. Install the Horizontals (A) and 1" End-Uprights (B) at all 4 corners using (2) screws (E) per connection.

#### Note:

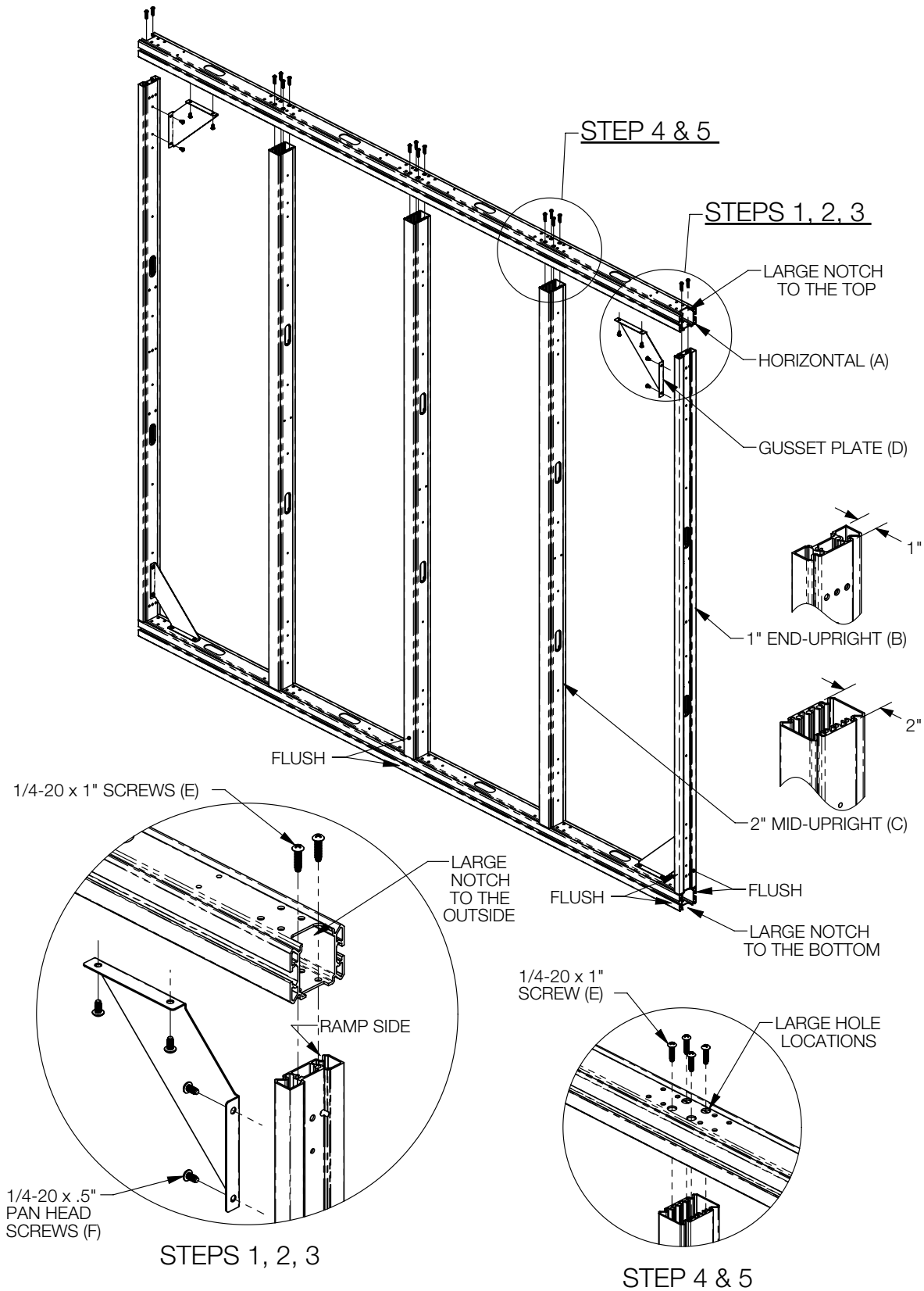
The upper and lower Horizontals (A) are flipped top and bottom. See illustrations.

3. Position and assemble the (4) Gusset Plates (D) at all 4 inside corners using (4) thread forming screws (F) per gusset. Gusset Plate (D) orientation is not critical.
4. Frames 30" and wider require one or more 2" Mid-Uprights (C). Position 2" Mid-Uprights (C) as shown at all predrilled large holes locations in the Horizontals (A). See page 3 for Upright Spacing.
5. Install the Horizontals (A) and 2" Mid-Uprights (B) using 4 screws (E) per connection. The bit adapter extensions and magnetic bit will be required to install these screws.



# Rockwell Unscripted® Creative Wall® Install Instructions

## Wall Frame

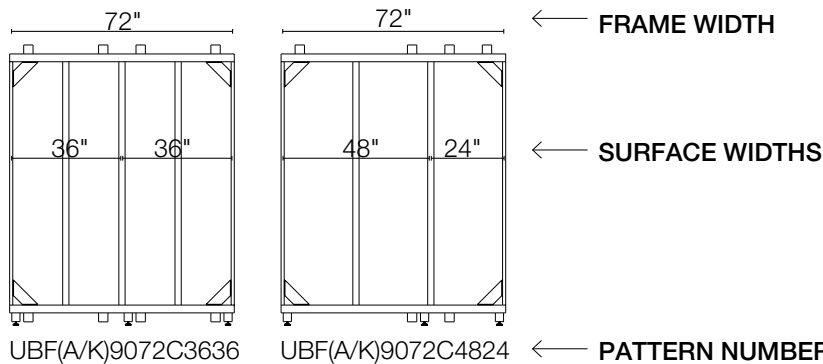
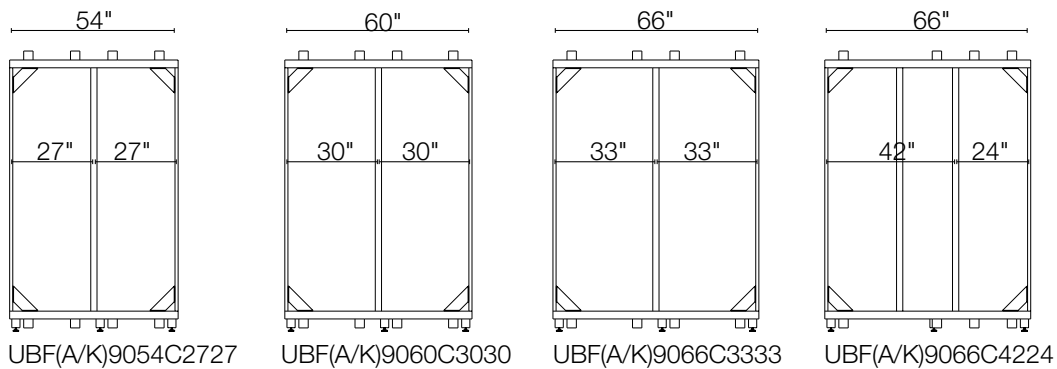
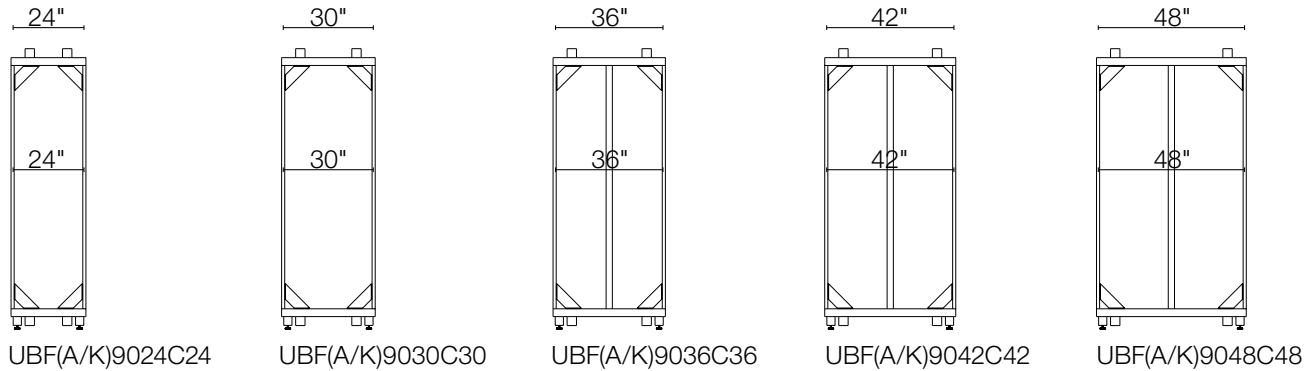


# Rockwell Unscripted® Creative Wall® Install Instructions

## Wall Frame

### Upright Spacing (1 of 2)

Frames Shipped Pre-Assembled or Knocked Down



← FRAME WIDTH

← SURFACE WIDTHS

← PATTERN NUMBER

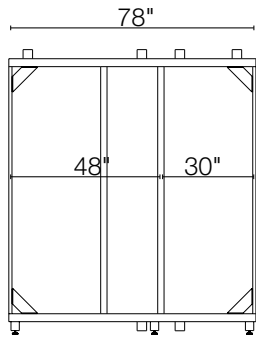
(A): Shipped Pre-Assembled  
(K): Shipped Knocked Down

# Rockwell Unscripted® Creative Wall® Install Instructions

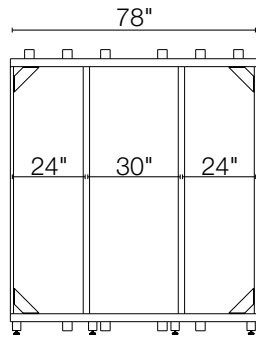
## Wall Frame

### Upright Spacing (2 of 2)

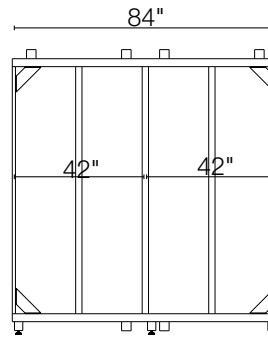
Frames Shipped Knocked Down



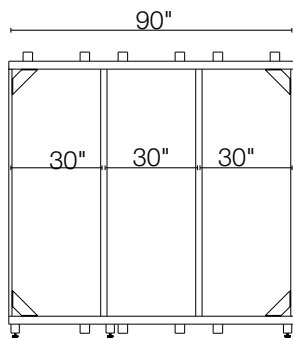
UBFK9078C4830



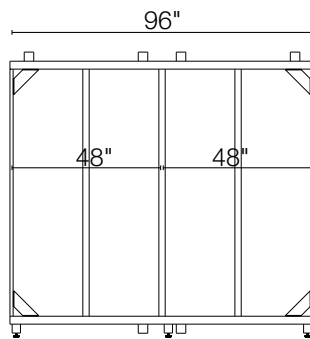
UBFK9078C243024



UBFK9084C4242



UBFK9090C303030



UBFK9096C4848

For **90"** Wall

24" - 96" every 6"



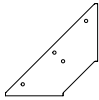
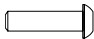
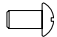
**U**nscripted **B**order **F**rame (**A**ssembled/**K**nocked Down) (Height) (Width) (Surface Configuration)



Example: 4848  
frame for two 48"W surfaces

# Rockwell Unscripted® Creative Wall® Replacement Parts

## Wall Frame

Description	Reference*	Replacement Pattern Number
Gusset plate 	6AJ1139	<b>KR6AJ1139H02</b> <b>HLKR6AJ1139H02</b> 24-Response Includes: 6AJ1139H02 - qty 1 (Total required per assy = 4)
Screw, button head, hex drive, 1/4-20 x 1", black, with lockpatch 	6AJ4017	<b>KR6AJ4017</b> <b>HLKR6AJ4017</b> 24-Response Includes: 6AJ4017 - qty 1 (Total required per assy = 16)
Screw, pan head, phillips drive, thread forming, 1/4-20 x .5", black 	6AJ4109	<b>KR6AJ4109</b> <b>HLKR6AJ4109</b> 24-Response Includes: 6AJ4109 - qty 1 (Total required per assy = 16)

### General Notes

1. "HL" and "ZZ" prefix in pattern number denotes 24-Response. Part will be shipped within 24-hours via ground service, pending availability; quantity limits and higher pricing apply.
2. See the product [Price Lists on www.Knoll.com](http://www.Knoll.com) for material, textile, and finish options denoted by ( ).
3. \* Not offered as an orderable service part number.

# Rockwell Unscripted® Creative Wall® Install Instructions

## Glide and Horizontal Trim Brackets

**Pattern Numbers Represented:**

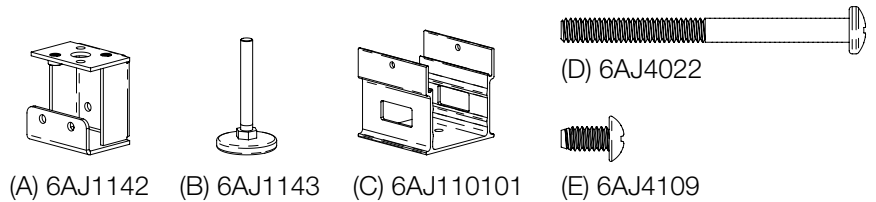
Unscripted Border Creative Wall Frame  
 Pre-Assembled, **UBFA**\_\_  
 Field Assembled Knocked Down, **UBFK**\_\_

**Tools Needed:**

Drill  
 Phillips #3 Bit  
 12" Bit Extension  
 5/32" Allen Wrench

**Part List:**

- (A) Glide Bracket (qty varies with wall size)
- (B) Glide (1 per glide bracket)
- (C) Horizontal Trim Bracket (qty varies With wall size)
- (D) ¼-20 x 3 ¼" Pan Head Screw (2 per Glide)
- (E) ¼-20 x ½" Pan Head Screw (2 per Trim bracket)



**STEPS:**

**Note:**

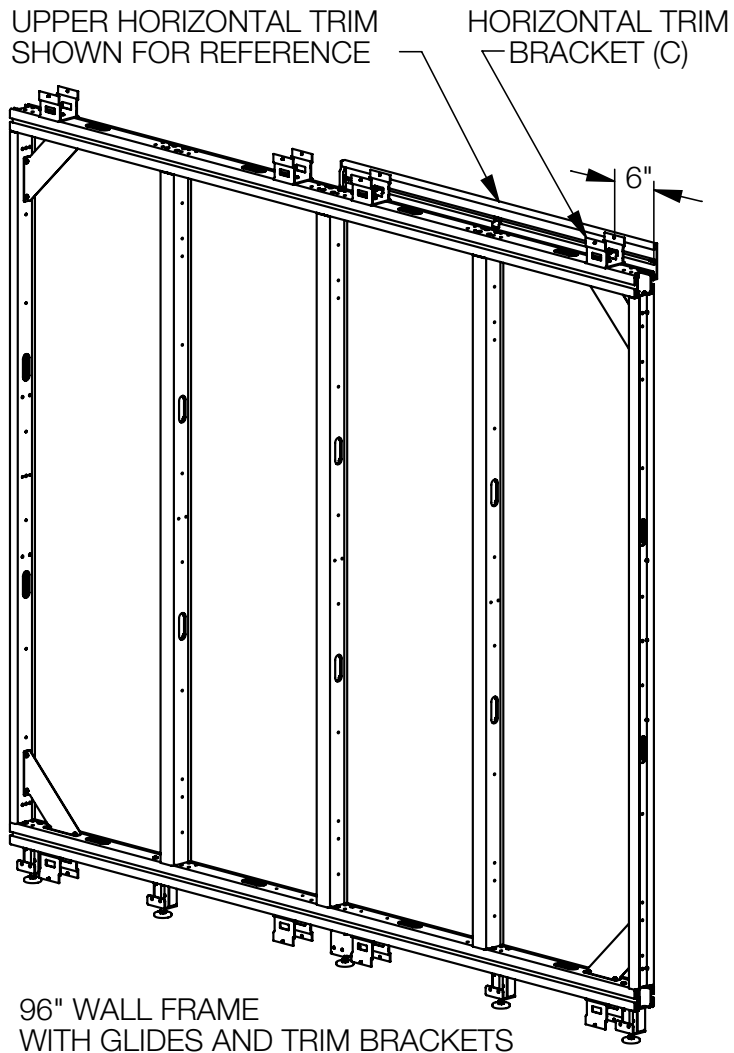
- Pre-Assembled Wall Frames come with an individual hardware pack attached to the interior of the frame.
- Knocked-down Wall Frames come with hardware included in a bulk pack or hardware box.
- Installation of Glide Brackets (A) & Horizontal Trim Brackets (C) is the same for Pre-Assembled & Knocked-down Wall Frames.
- Glides (B) come pre-assembled to the Glide Bracket (A).
- See illustrations on the next page while following these instructions.

1. Install the Glide Brackets (A) to the bottom of the Lower Horizontal at each 1" End-Upright and 2" Mid-Upright. Use (2) ¼-20 x 3 ¼" Pan Head Screws (D) through predrilled holes in the top side of the Lower Horizontal and into the 2 threaded inserts in the Glide Bracket (A).

**Note:**

Glide Brackets (A) are assembled biased to either side of each Uprights and must be orientated as shown.

2. Install the Horizontal Trim Brackets (C) to the top of the Upper Horizontal and to the bottom of the Lower Horizontal. Use (2) ¼-20 x ½" Thread Forming Pan Head Screws (E) in predrilled holes in the Horizontals. Ensure that the brackets are centered and aligned with the Horizontal.

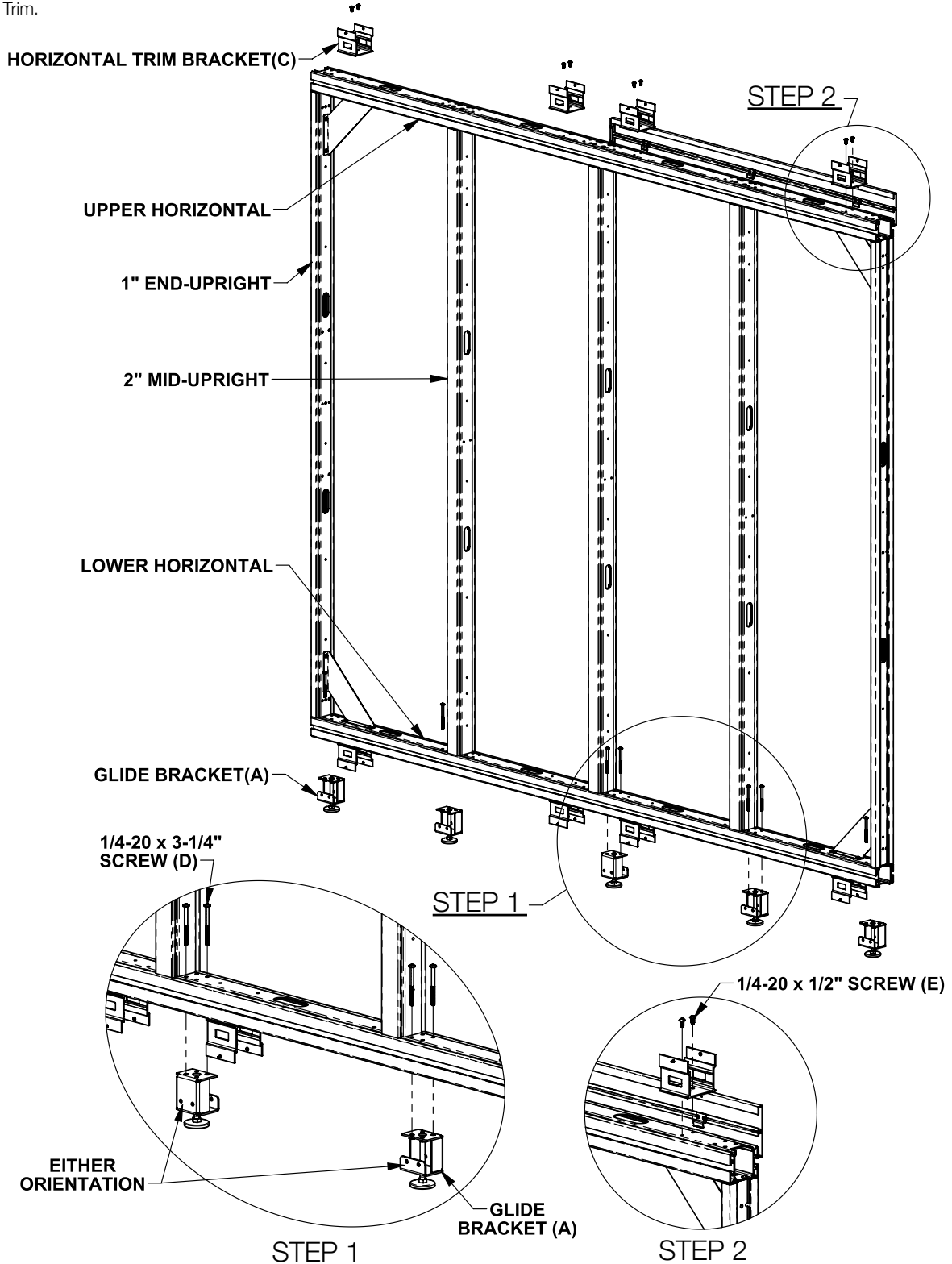


# Rockwell Unscripted® Creative Wall® Install Instructions

## Glide and Horizontal Trim Brackets

**Note:**

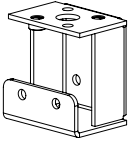
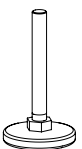
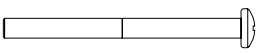
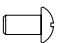
- Each upper and lower Horizontal Trim specified for the Wall Frame will require at least 2 brackets, each within 6" of the ends of the Horizontal Trim.





# Rockwell Unscripted® Creative Wall® Replacement Parts

## Glide and Horizontal Trim Brackets

Description	Reference*	Replacement Pattern Number
Glide Bracket 	6AJ1142	KR6AJ1142 HLKR6AJ1142 24-Response Includes: 6AJ1142 - qty 1 (See following table for total qty required)
Glide 	6AJ1143	KR6AJ1143 HLKR6AJ1143 24-Response Includes: 6AJ1143 - qty 1
Screw, pan head phillips drive, 1/4-20 x 3.25", black, with lockpatch 	6AJ4022	KR6AJ4022 HLKR6AJ4022 24-Response Includes: 6AJ4022 - qty 1 (Total required per glide = 2)
Screw, pan head, phillips drive, thread forming, 1/4-20 x .5", black 	6AJ4109	KR6AJ4109 HLKR6AJ4109 24-Response Includes: 6AJ4109 - qty 1 (Total required per trim bracket = 2)

Glide Bracket quantity per Wall width		
Patterns	Widths	Total quantity for Glide Bracket
<b>UBFA,UBFK (24 - 96)</b> Preassembled and Knocked Down Walls	24" w - 48" w	2
	54" w - 96" w	3

### General Notes

1. "HL" and "ZZ" prefix in pattern number denotes 24-Response. Part will be shipped within 24-hours via ground service, pending availability; quantity limits and higher pricing apply.
2. See the product [Price Lists on www.Knoll.com](http://www.Knoll.com) for material, textile, and finish options denoted by ( ).
3. \* Not offered as an orderable service part number.

# Rockwell Unscripted® Creative Wall® Install Instructions

## Wall Frame to Wall Frame

**Pattern Numbers Represented:**

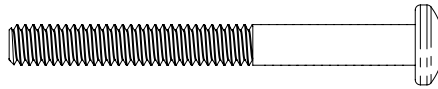
Unscripted Borders Connector Kit 2-way, **UBCSWW\_\_**

**Tools Needed:**

- Power Driver
- Phillips #3 Bit
- 7/16" Wrench

**Part List:**

- (A) 1/4-20 x 2.5" Pan Head Screw (6 per assy)
- (B) 1/4-20 Hex Nut with Lock Washer (6 per assy)



(A) 6AJ4123



(B) 1A52309H01

**STEPS:**

**Note:**

Feet may be used to help stabilize the Wall Frames temporarily during Wall Frame joining.

1. Align Frames and assure they are level to each other.

**Note:**

It is important to align the top nut channel at the joints to allow for smooth sliding of hanging and rolling marker boards as shown in the detail below.

2. Use (6) 1/4-20 Pan Head Screws (A) and (6) 1/4-20 Hex Nuts (B) through the 1" End-Up-rights of the adjoining Wall Frames at the top, middle and bottom.

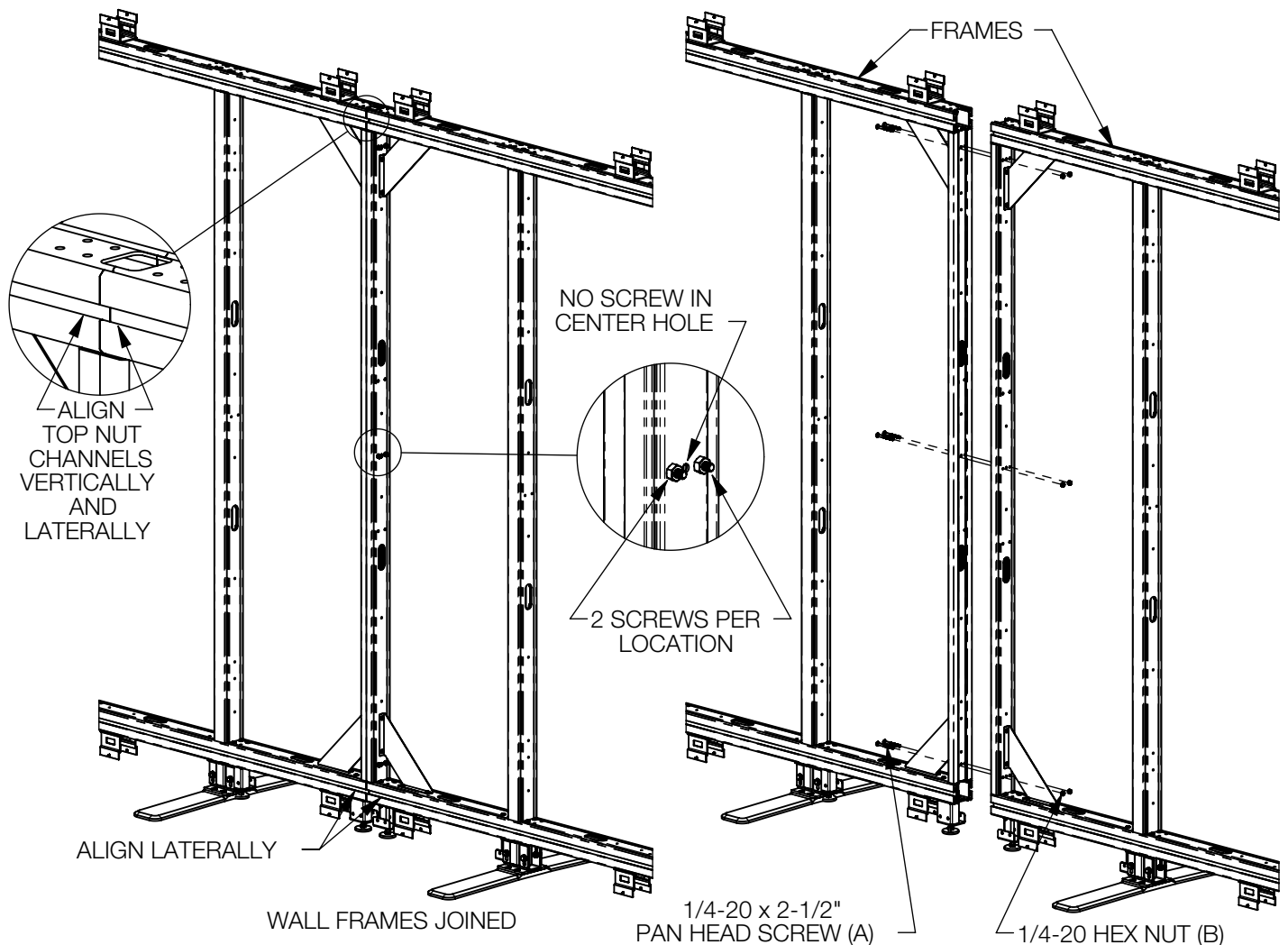
**Note:**

Each location has 3 holes. Use 2 screws in the 2 outboard holes at each location.

3. After several Wall Frames are joined, releve the entire run.

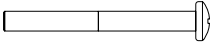

**Note:**

One of the 2 Glide Brackets at each joint can be removed without structural issues.



# Rockwell Unscripted® Creative Wall® Replacement Parts

## Wall Frame to Wall Frame

Description	Reference*	Replacement Pattern Number
Screw, pan head, phillips drive, 1/4-20 x 2.5", black, with lockpatch 	6AJ4123	<b>KR6AJ4123</b> <b>HLKR6AJ4123 24-Response</b> Includes: 6AJ4123 - qty 1 (Total required per assy = 6)
Hex nut with lock washer, 1/4-20, zinc 	1A52309H01	<b>KR1A52309H01</b> <b>HLKR1A52309H01 24-Response</b> Includes: 1A52309H01 - qty 1 (Total required per assy = 6)

### General Notes

1. "HL" and "ZZ" prefix in pattern number denotes 24-Response. Part will be shipped within 24-hours via ground service, pending availability; quantity limits and higher pricing apply.
2. See the product [Price Lists on www.Knoll.com](http://www.Knoll.com) for material, textile, and finish options denoted by ( ).
3. \* Not offered as an orderable service part number.

# Rockwell Unscripted® Creative Wall® Install Instructions

## Off-Module Wall Frame

**Pattern Numbers Represented:**

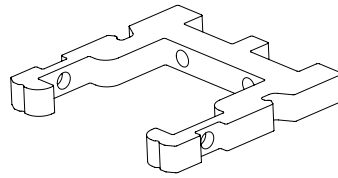
- Unscripted Borders Connector Kits,
- 2 Way **UBC2WW**
- 3 Way **UBC3BWWE, UBC3BWW**
- 4 Way **UBC4WBWWE, UBC4WBWW, UBC4WBBWE**

**Tools Needed:**

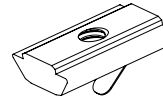
- 5/32" Allen Wrench
- Ladders

**Part List:**

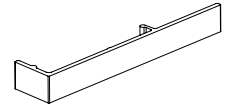
- (A) Off-Module Bracket (2 per assy)
- (B) Off-Module Bracket Cover (2 per bracket)
- (C) Rail Nut (4 per bracket)
- (D) ¼-20 x 7/8" Button Head Screw (2 per bracket)
- (E) ¼-20 x 1/2" Button Head Screw (2 per bracket)



(A) 6AJ1171



(C) 6AJ4024



(B) 6AJ1172



(D) 6AJ4040



(E) 6AJ4039

**STEPS:**

**Note:**

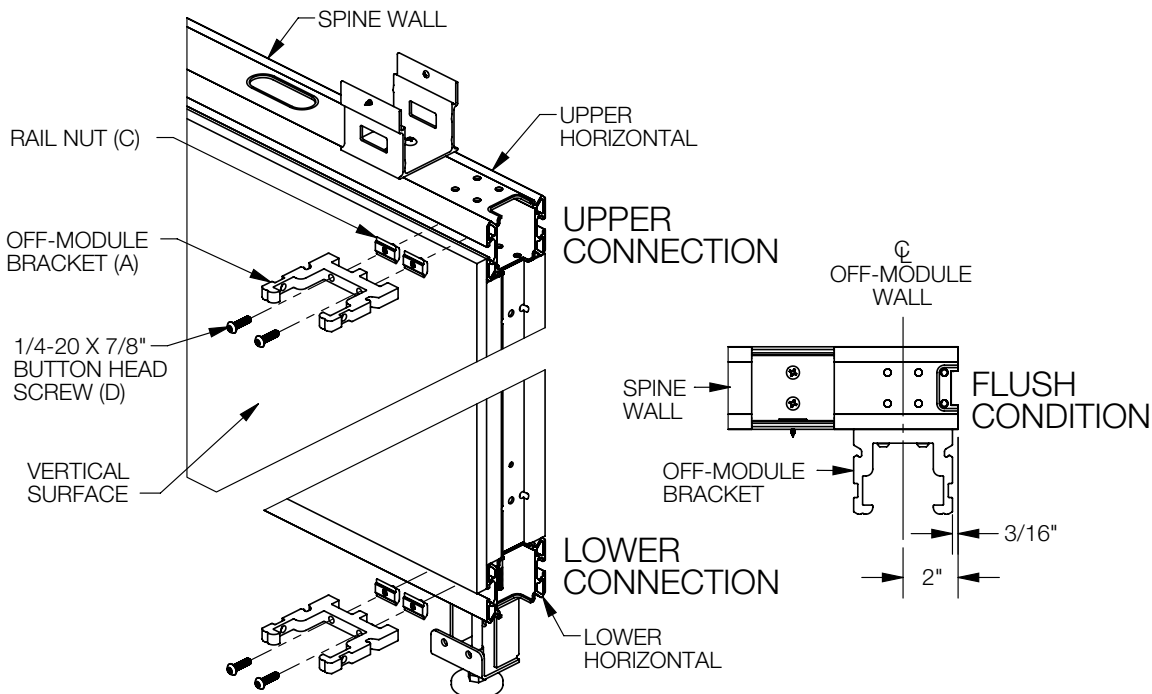
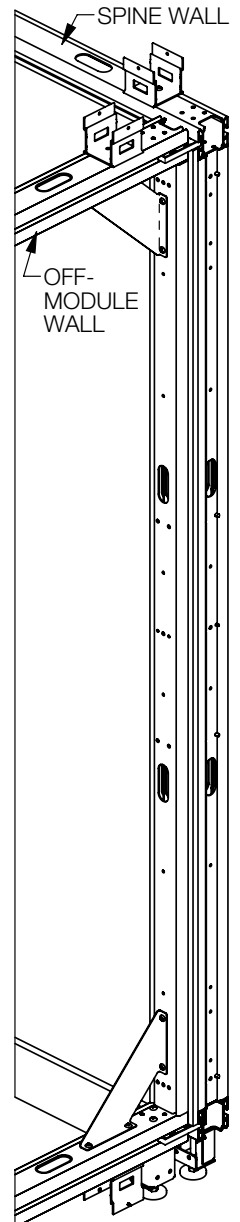
An Off-Module Wall connection is the configuration in which a Wall (Off-Module Wall) joins another Wall (Spine Wall) perpendicularly anywhere along the length of the Spine Wall. Both Wall Frames must be level and adjusted to the same height.

1. Install (2) Off-Module Brackets (A) to the Spine Wall by first Inserting (2) Rail Nuts (C) in each of the Spine Wall Frame's upper and lower Horizontals. Use (2) ¼-20 x 7/8" Button Head Screw (D) through the base of each Off-Module Brackets (A) and into the Rail Nuts (C).

**Note:**

- The Rail Nuts (C) can be slid in from the end of the Frame or inserted at any point along the channel.

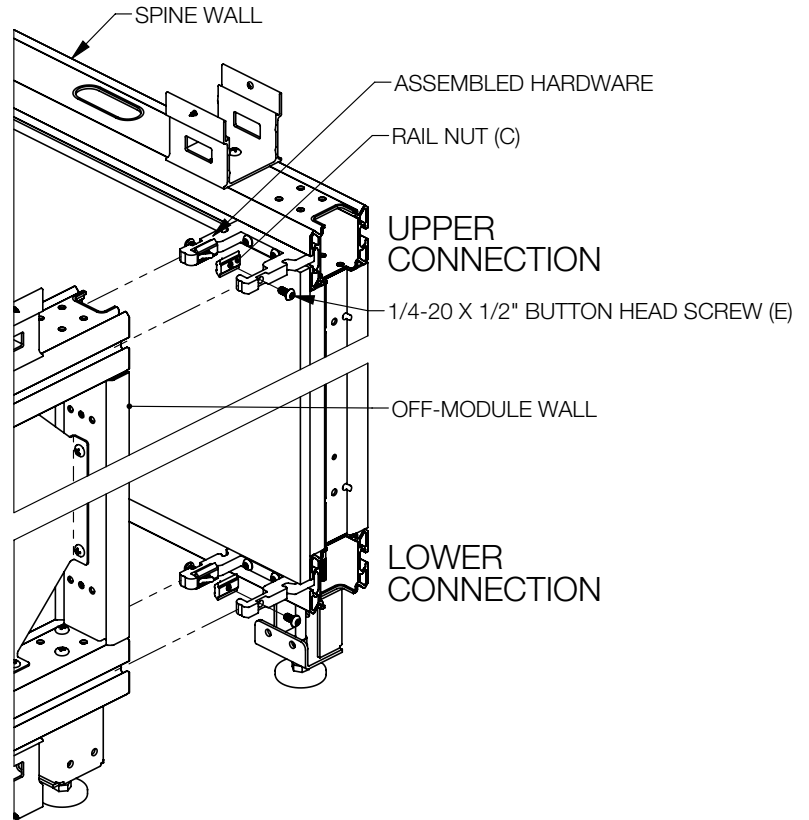
- The Vertical Surface must be assembled to the Spine Wall Frame before joining the Off-Module Wall Frame.
- Ensure that the Off-Module Brackets (A) are mounted in the correct location. The Spine Wall is 4" thick when fully assembled and will be centered on the Off-Module Brackets (A). When mounting an Off-Module Wall flush to the end of a Spine Wall, the side of the Off-Module Bracket (A) is to be 3/16" back from the end of the Spine Wall Frame or 2" to the center of the Off-Module Bracket (A).
- The Off-Module Brackets (A) should be aligned vertically to each other so that the Off-Module Wall will be vertical.



# Rockwell Unscripted® Creative Wall® Install Instructions

## Off-Module Wall Frame

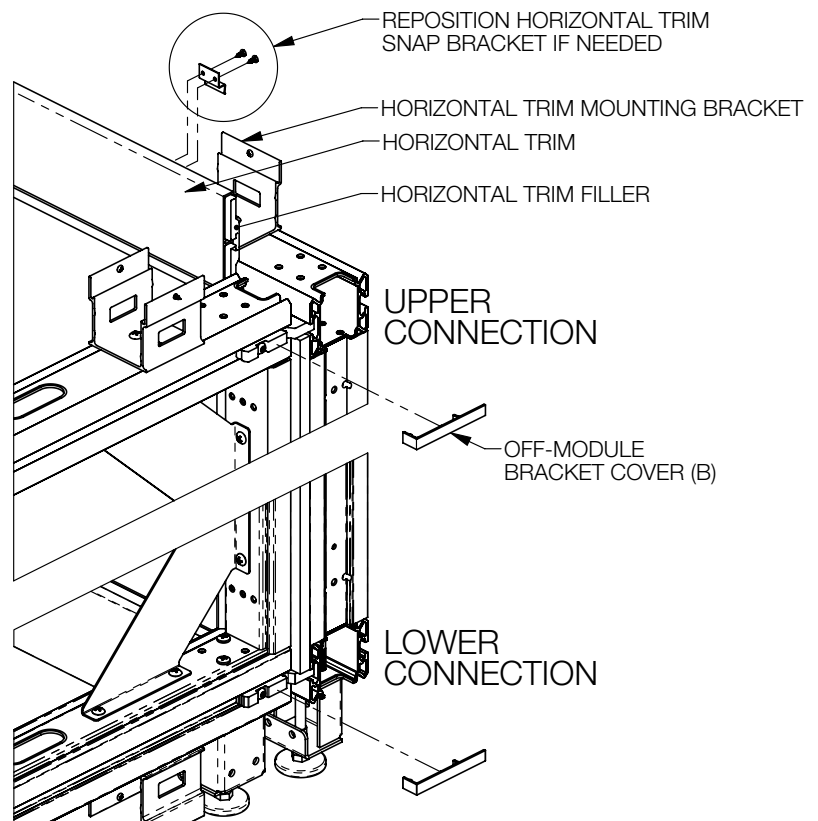
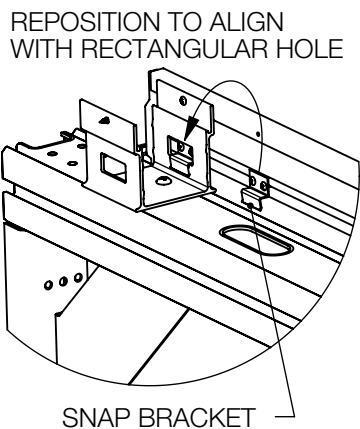
- Join the Off-Module Wall to the Spine Wall by first loosely assembling (2) 1/4-20 x 1/2" Button Head Screw (E) to (2) Rail Nuts (C) on the side legs of each Off-Module Bracket (A). Move the Spine Wall Frame into the Off-Module Brackets (A) engaging the Rail Nuts (C) into both sides of the Off-Module Wall Frame's upper and lower Horizontals.
- Ensure that the Off-Module Wall Frame is correctly located, fully engaged into the Off-Module Brackets (A), level and plum before tightening the screws.




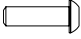
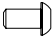
- Install (4) Off-Module Bracket Covers (B) to the sides of the Off-Module Brackets (A).

**Note:**

Upper and lower Horizontal Trims at Off-Module Walls are 4" narrower than Horizontal Trims on the far side of the Spine Wall. The Horizontal Trim's Snap Bracket may need to be repositioned to align with the mounting bracket. The Trim's Filler is to be used to prevent light gaps. Additionally, black tape can be used to prevent light leaks.



## Rockwell Unscripted® Creative Wall® Replacement Parts Off-Module Wall Frame

Description	Reference*	Replacement Pattern Number
Spring slot rail nut, 1/4-20, black 	6AJ4024	<b>KR6AJ4024</b> <b>HLKR6AJ4024 24-Response</b> Includes: 6AJ4024 - qty 1 (Total required per bracket = 4)
Screw, buttonhead, socket cap, 1/4-20 x .875", black, with lockpatch 	6AJ4040	<b>KR6AJ4040</b> <b>HLKR6AJ4040 24-Response</b> Includes: 6AJ4040 - qty 1 (Total required per bracket = 2)
Screw, buttonhead, socket cap, 1/4-20 x .5", black, with lockpatch 	6AJ4039	<b>KR6AJ4039</b> <b>HLKR6AJ4039 24-Response</b> Includes: 6AJ4039 - qty 1 (Total required per bracket = 2)

### General Notes

1. "HL" and "ZZ" prefix in pattern number denotes 24-Response. Part will be shipped within 24-hours via ground service, pending availability; quantity limits and higher pricing apply.
2. See the product [Price Lists on www.Knoll.com](http://www.Knoll.com) for material, textile, and finish options denoted by ( ).
3. \* Not offered as an orderable service part number.

# Rockwell Unscripted® Creative Wall® Install Instructions

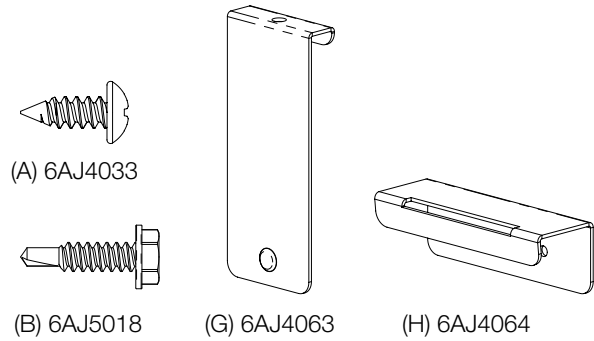
## Vertical Surfaces

**Pattern Numbers Represented:**  
Unscripted Border Surfaces, **UBS**\_\_

**Tools Needed:**  
Drill  
Phillips #2 & #3 Bits  
Ladders

**Part List:**

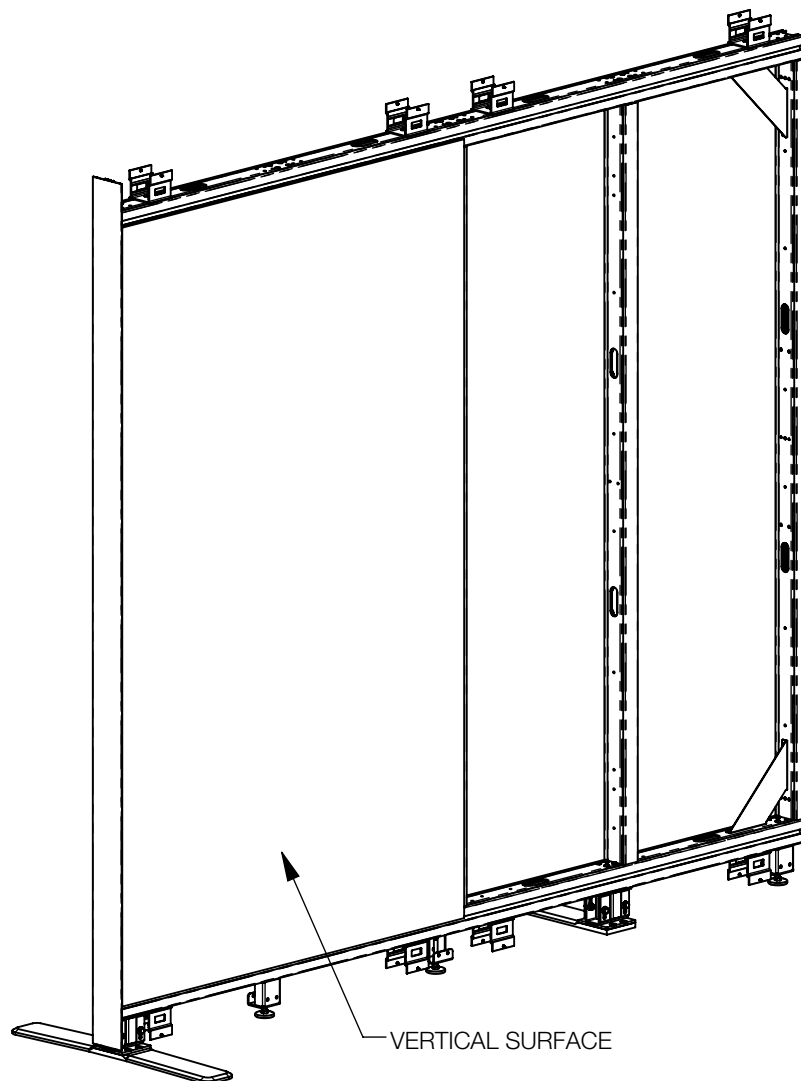
- (A) #6 x 3/8" Pan Head Screw (4 per wood clip)
- (B) #10 x 3/4" Hex Head Self Drilling Screw (1 per bayonet)
- (C) Bottom Clip/Wood Core (6AJ113201, qty varies with surface size)
- (D) Top/Side Clip/Wood Core (6AJ113202, qty varies with surface size)
- (E) Bottom Clip/Fiberglass Core (6AJ113101, qty varies with surface size)
- (F) Top/Side Clip/Fiberglass Core (6AJ113201, qty varies with surface size)
- (G) Bayonet Bracket (1-2 depending on surface size)
- (H) Bayonet Catch (1-2 depending on surface size)



**STEP:**

**Note:**

The Vertical Surfaces come with all clips attached.  
Vertical End Trims should be installed before  
Vertical Surfaces limit access to fasteners.



# Rockwell Unscripted® Creative Wall® Install Instructions

## Vertical Surfaces

1. Select the appropriate Vertical Surface for the location on the Wall Frame.

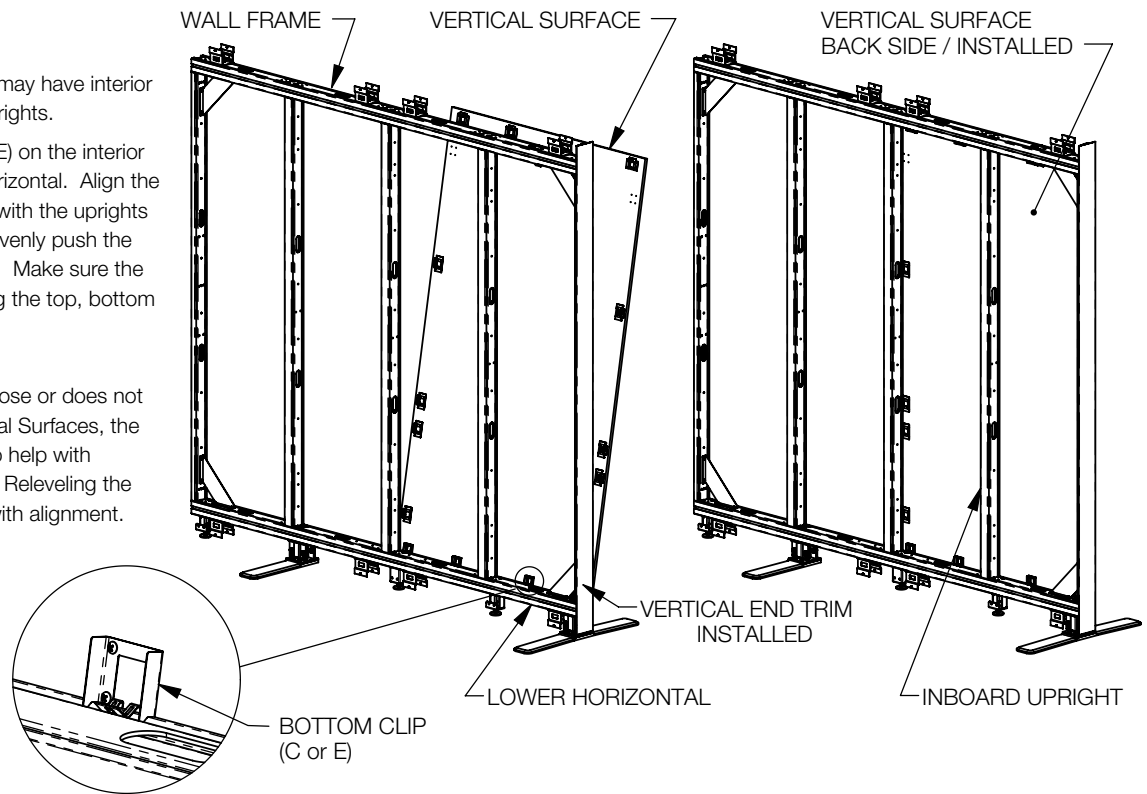
**Note:**

Some of the wider Surfaces may have interior clips that engage inboard uprights.

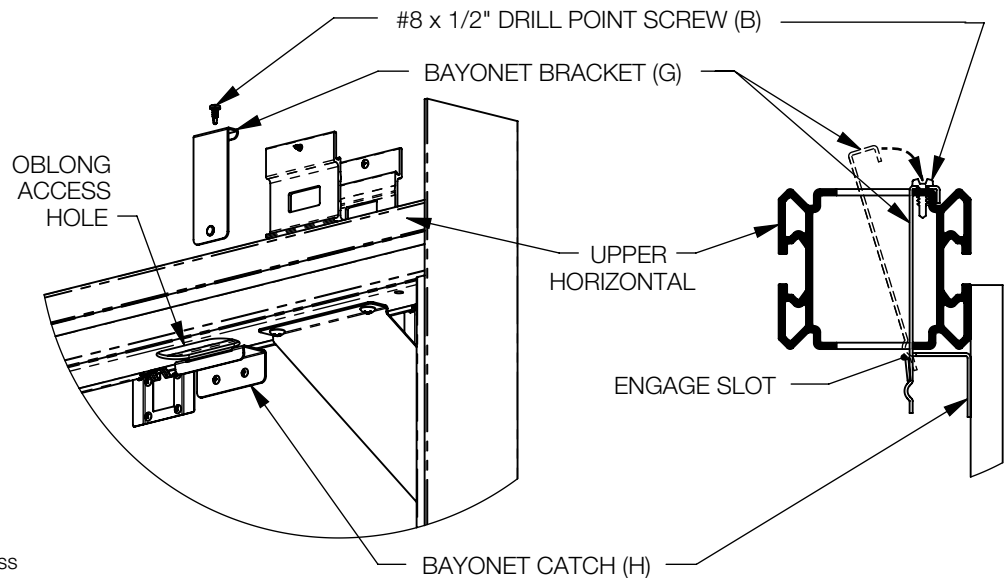
2. Rest the Bottom Clips (C or E) on the interior of the Wall Frame bottom horizontal. Align the sides of the Vertical Surface with the uprights of the Wall Frame and then evenly push the Vertical Surface into position. Make sure the Clips snap into position along the top, bottom and sides.

**Note:**

If the Vertical Surface feels loose or does not align with the adjacent Vertical Surfaces, the Clips can be bent in or out to help with alignment and engagement. Releveling the Wall Frames may also help with alignment.



3. Heavier Vertical Surfaces such as wood or laminate come with Bayonet Catches (H) at the top edge which line up with oblong holes in the Wall Frame's upper Horizontal. Required Bayonet Catch (H) quantity depends on the width of the Vertical Surface: 24"-33" widths have (1) Bayonet Catch (H) while 36"-48" widths have (2) Bayonet Catches (H). Once the Vertical Surface is installed, push the Bayonet Brackets (G) down through oblong access holes in the upper Horizontal of the Wall Frame and into the slot of the Bayonet Catches (H). The hook at the top of the Bayonet Bracket (G) will engage the lip of the Horizontal and should be fastened to the Horizontal using (1) #8 x 1/2" Pan Head Drill Point screw.



**Note:**

In some rare configurations the oblong access hole in the upper Horizontal of the Wall Frame may not align with the Bayonet Catch (H). In this situation, proceed to Step 4 on Page 3.



## Rockwell Unscripted® Creative Wall® Install Instructions

### Vertical Surfaces

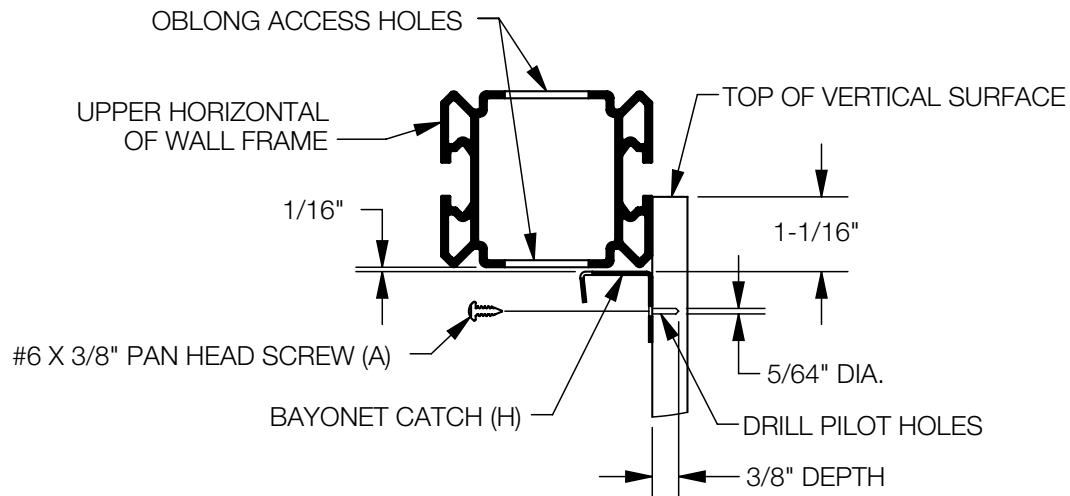
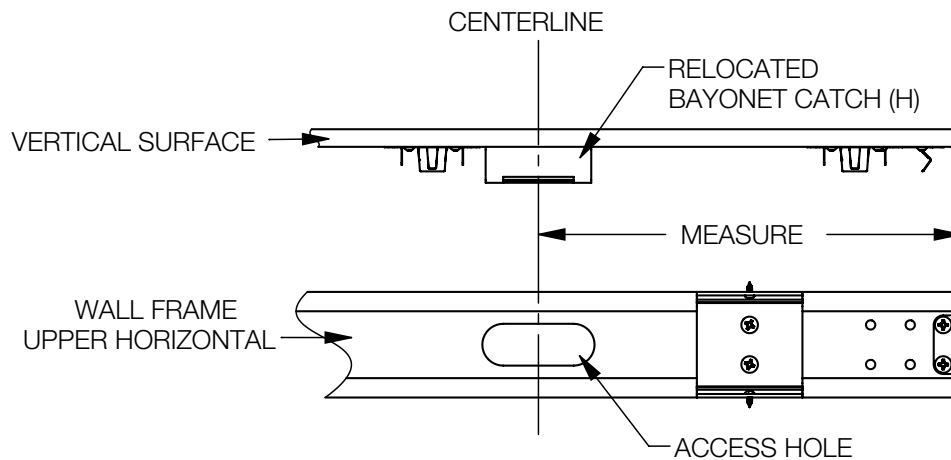
4. Relocate the Bayonet Catch (H) to align it with the oblong access holes if necessary.

- Unscrew the Bayonet Catch (H) from the back of the Vertical Surface.
- Measure the side-to-side centerline location of the oblong access hole on the Wall Frame's upper Horizontal. Mark this location on the back side of the Vertical Surface. This should be done before the Vertical Surface is mounted to the Wall Frame. Side-to-side location is not as critical as the Bayonet Catch's vertical distance from the top of the Vertical Surface.
- Place the Bayonet Catch (H) against the back side of the Vertical surface and centered on the mark from "Step b". Position the Bayonet Catch (H) 1-1/16" down from the top of the vertical surface. Using the Bayonet Catch (H) as a template, drill two 5/64" diameter pilot holes 3/8" deep in the back side of the Vertical Surface. Take care not to drill through the front side of the Vertical Surface.

**Note:**

If the Vertical Surface has already been mounted to the Wall Frame and there is access to the back side of the Vertical Surface, the Bayonet Catch (H) can be relocated by positioning the Bayonet Catch (H) 1/16" down from the underside of the Wall Frame's upper Horizontal.

- Screw the Bayonet Catch (H) to the back side of the Vertical surface using (2) #6 x 3/8" Pan Head Screws (A).
- Follow the procedure in Step 3 to complete the installation of the Bayonet Bracket (G).



# Rockwell Unscripted® Creative Wall® Install Instructions

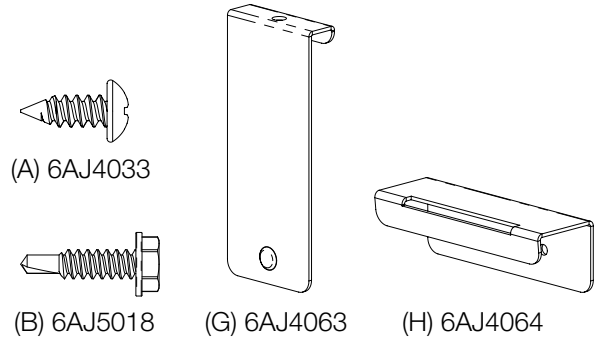
## Full Height Vertical Surfaces

**Pattern Numbers Represented:**  
Unscripted Border Surfaces, **UBS**\_\_

**Tools Needed:**  
Drill  
Phillips #2 & #3 Bits  
Ladders

**Part List:**

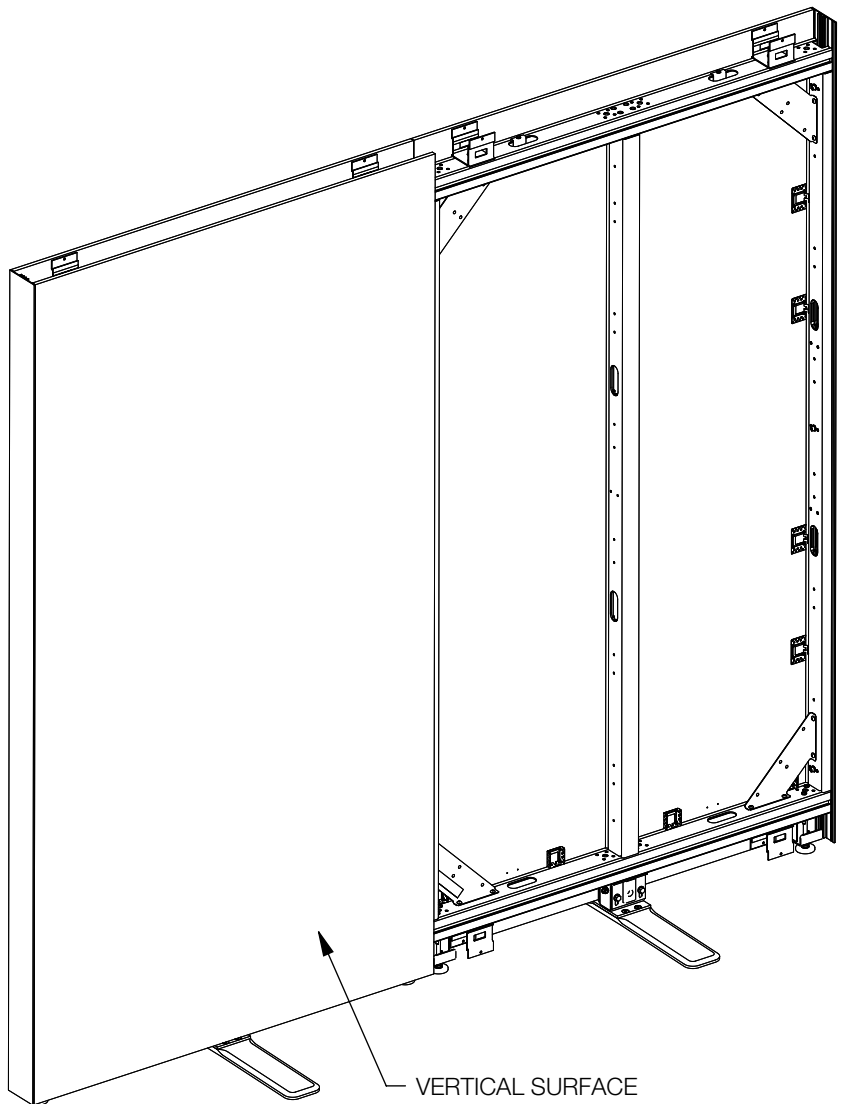
- (A) #6 x 3/8" Pan Head Screw (4 per wood clip)
- (B) #10 x 3/4" Hex Head Self Drilling Screw (1 per bayonet)
- (C) Bottom Clip/Wood Core (6AJ113201, qty varies with surface size)
- (D) Top/Side Clip/Wood Core (6AJ113202, qty varies with surface size)
- (E) Bottom Clip/Fiberglass Core (6AJ113101, qty varies with surface size)
- (F) Top/Side Clip/Fiberglass Core (6AJ113201, qty varies with surface size)
- (G) Bayonet Bracket (1-2 depending on surface size)
- (H) Bayonet Catch (1-2 depending on surface size)



**STEP:**

**Note:**

The Vertical Surfaces come with all clips attached.  
Vertical End Trims should be installed before  
Vertical Surfaces limit access to fasteners.



# Rockwell Unscripted® Creative Wall® Install Instructions

## Full Height Vertical Surfaces

1. Select the appropriate Vertical Surface for the location on the Wall Frame.

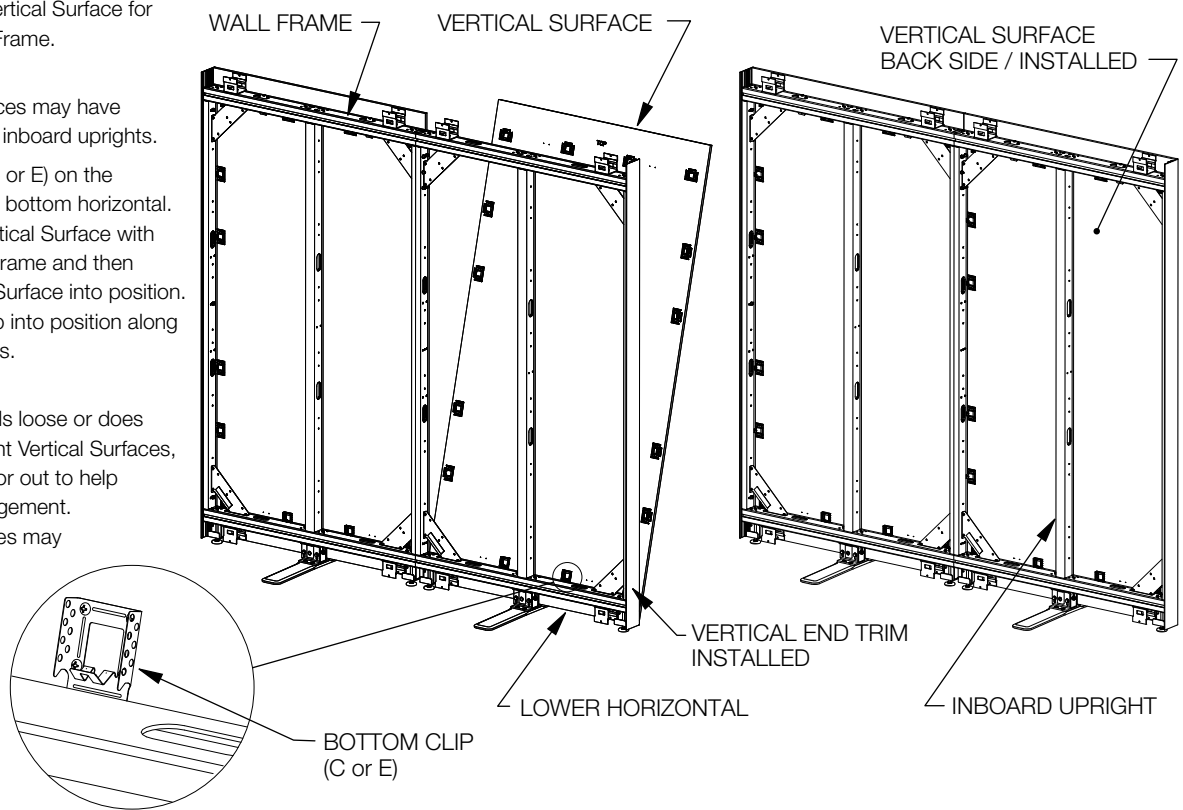
**Note:**

Some of the wider Surfaces may have interior clips that engage inboard uprights.

2. Rest the Bottom Clips (C or E) on the interior of the Wall Frame bottom horizontal. Align the sides of the Vertical Surface with the uprights of the Wall Frame and then evenly push the Vertical Surface into position. Make sure the Clips snap into position along the top, bottom and sides.

**Note:**

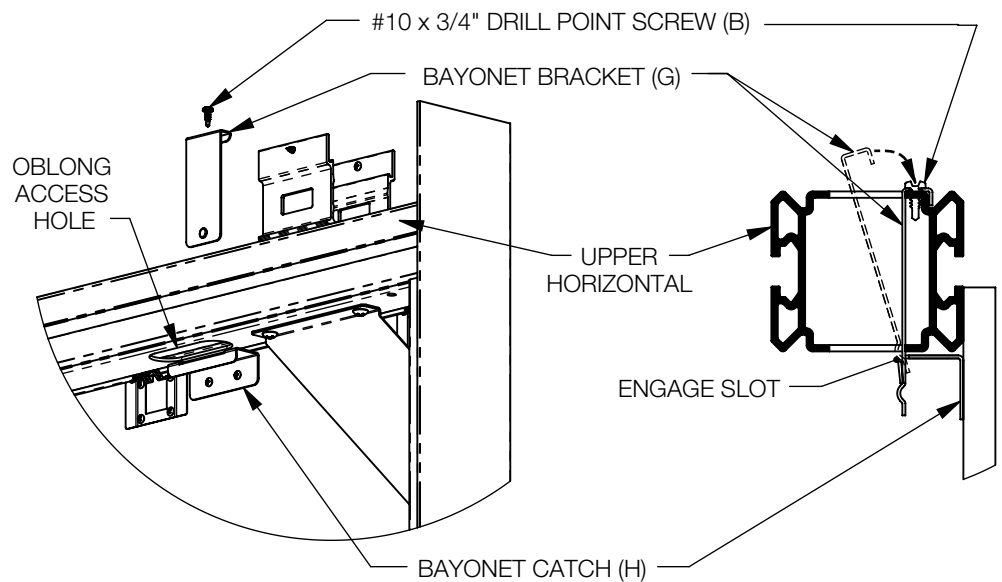
If the Vertical Surface feels loose or does not align with the adjacent Vertical Surfaces, the Clips can be bent in or out to help with alignment and engagement. Releveling the Wall Frames may also help with alignment.



3. Heavier Vertical Surfaces such as wood or laminate come with Bayonet Catches (H) at the top edge which line up with oblong holes in the Wall Frame's upper Horizontal. Required Bayonet Catch (H) quantity depends on the width of the Vertical Surface: 24"-33" widths have (1) Bayonet Catch (H) while 36"-48" widths have (2) Bayonet Catches (H). Once the Vertical Surface is installed, push the Bayonet Brackets (G) down through oblong access holes in the upper Horizontal of the Wall Frame and into the slot of the Bayonet Catches (H). The hook at the top of the Bayonet Bracket (G) will engage the lip of the Horizontal and should be fastened to the Horizontal using (1) #10 x 3/4" Hex Head Drill Point screw.

**Note:**

In some rare configurations the oblong access hole in the upper Horizontal of the Wall Frame may not align with the Bayonet Catch (H). In this situation, proceed to Step 4 on Page 3.



# Rockwell Unscripted® Creative Wall® Install Instructions

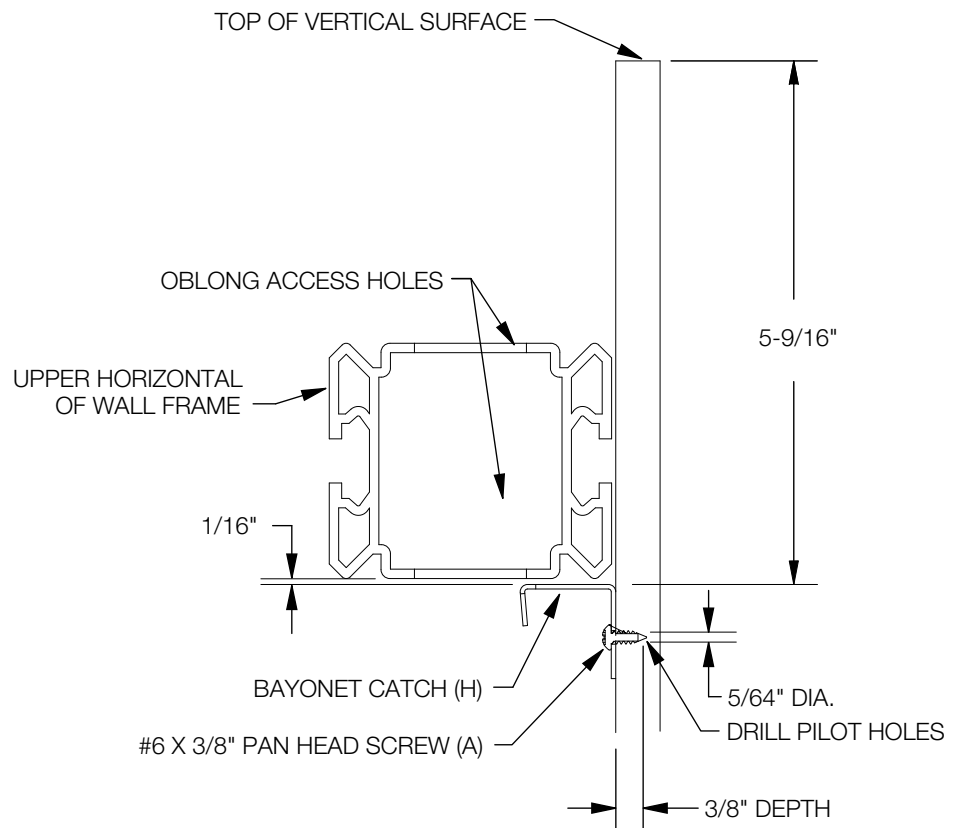
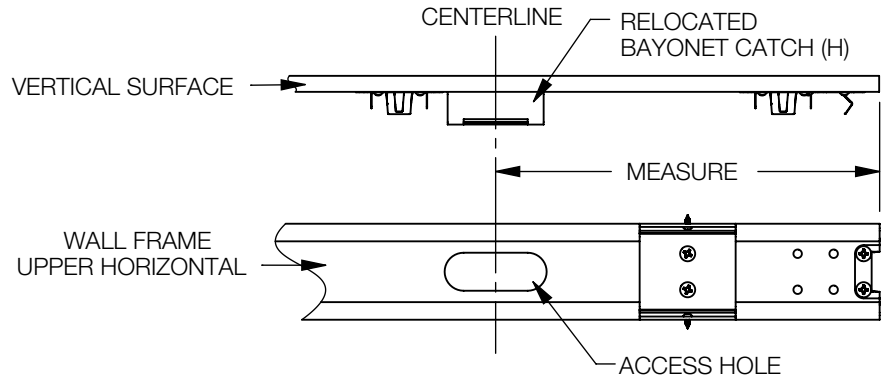
## Full Height Vertical Surfaces

4. Relocate the Bayonet Catch (H) to align it with the oblong access holes if necessary.
  - a. Unscrew the Bayonet Catch (H) from the back of the Vertical Surface.
  - b. Measure the side-to-side centerline location of the oblong access hole on the Wall Frame's upper Horizontal. Mark this location on the back side of the Vertical Surface. This should be done before the Vertical Surface is mounted to the Wall Frame. Side-to-side location is not as critical as the Bayonet Catch's vertical distance from the top of the Vertical Surface.
  - c. Place the Bayonet Catch (H) against the back side of the Vertical surface and centered on the mark from "Step b". Position the Bayonet Catch (H) 5-9/16" down from the top of the vertical surface. Using the Bayonet Catch (H) as a template, drill two 5/64" diameter pilot holes 3/8" deep in the back side of the Vertical Surface. Take care not to drill through the front side of the Vertical Surface.

**Note:**

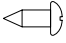
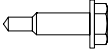
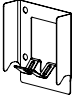
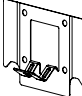
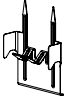
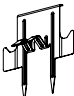

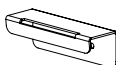
If the Vertical Surface has already been mounted to the Wall Frame and there is access to the back side of the Vertical Surface, the Bayonet Catch (H) can be relocated by positioning the Bayonet Catch (H) 1/16" down from the underside of the Wall Frame's upper Horizontal.

- d. Screw the Bayonet Catch (H) to the back side of the Vertical surface using (2) #6 x 3/8" Pan Head Screws (A).
- e. Follow the procedure in Step 3 to complete the installation of the Bayonet Bracket (G).



# Rockwell Unscripted® Creative Wall® Replacement Parts

## Vertical Surfaces and Full Height Vertical Surfaces

Description	Reference*	Replacement Pattern Number
Screw, pan head phillips drive, #6 x .375", black 	6AJ4033	<b>KR6AJ4033</b> <b>HLKR6AJ4033</b> 24-Response Includes: 6AJ4033 - qty 1 (Total required per wood core clip = 4)
Screw, self drilling, hex washer head, #10 x 3/4", zinc 	6AJ5018	<b>KR6AJ5018</b> <b>HLKR6AJ5018</b> 24-Response Includes: 6AJ5018 - qty 1 (Total required per bayonet bracket = 1)
Clip, wood core, bottom, with bent tabs, black 	6AJ11320140	<b>KR6AJ11320140</b> <b>HLKR6AJ11320140</b> 24-Response Includes: <b>(See following table for total qty required)</b>
Clip, wood core, top and side, without bent tabs, black 	6AJ11320240	<b>KR6AJ11320240</b> <b>HLKR6AJ11320240</b> 24-Response Includes: <b>(See following table for total qty required)</b>
Clip, fibergalss core, bottom, with bent tabs 	6AJ113101	<b>KR6AJ113101</b> <b>HLKR6AJ113101</b> 24-Response Includes: <b>(See following table for total qty required)</b>
Clip, fibergalss core, top/side, without bent tabs 	6AJ113102	<b>KR6AJ113102</b> <b>HLKR6AJ113102</b> 24-Response Includes: <b>(See following table for total qty required)</b>
Bayonet bracket 	6AJ4063	<b>KR6AJ406340</b> <b>HLKR6A406340</b> 24-Response Includes: 6AJ406340 - qty 1 <b>(See following table for total qty required)</b>
Bayonet catch 	6AJ4064	<b>KR6AJ4064</b> <b>HLKR6A4064</b> 24-Response Includes: 6AJ406340 - qty 1 <b>(See following table for total qty required)</b>

### General Notes

1. "HL" and "ZZ" prefix in pattern number denotes 24-Response. Part will be shipped within 24-hours via ground service, pending availability; quantity limits and higher pricing apply.
2. See the product [Price Lists on www.Knoll.com](http://www.Knoll.com) for material, textile, and finish options denoted by ( ).
3. \* Not offered as an orderable service part number.

## Rockwell Unscripted® Creative Wall® Replacement Parts

### Vertical Surfaces (cont.)

Clip quantity for Fabric Vertical Surface (fiberglass core) width			
Patterns	Widths	Total quantity for fiberglass core clips	
UBS__ (F) (24 - 48) For fabric surfaces with or without outlet openings.		6AJ113101 (bottom clip)	6AJ113102 (top/side clip)
	24" w - 33" w	3	11
	36" w - 48" w	4	12

Clip quantity for Porcelain, Cork and FilzFelt Vertical Surface (wood core) width			
Patterns	Widths	Total quantity for wood core clips	
UBS__ (O,C,E) (24 - 48) For porcelain, cork and FilzFelt surfaces with or without outlet openings.		6AJ11320140 (bottom clip)	6AJ11320240 (top/side clip)
	24" w	2	10
	27" w - 33" w	3	11
	36" w - 48" w	4	12

Clip quantity for Laminate, Markerboard and Veneer Vertical Surface (wood core) width			
Patterns	Widths	Total quantity for wood core clips	
UBS__ (L,V,M) (24 - 48) For laminate, markerboard and veneer surfaces with or without outlet openings.		6AJ11320140 (bottom clip)	6AJ11320240 (top/side clip)
	24" w	2	10
	27" w - 48" w	4	12

Bayonet quantity for Laminate, Markerboard, Veneer and Porcelain Vertical Surface width			
Patterns	Widths	Total quantity for bayonet brackets and catches	
UBS__ (L,M,V,O) (24 - 48) For laminate, markerboard, veneer and porcelain surfaces with or without outlet openings.		6AJ406340 (bayonet bracket)	6AJ4064 (bayonet catch)
	24" w - 33" w	1	1
	36" w - 48" w	2	2

#### General Notes

1. "HL" and "ZZ" prefix in pattern number denotes 24-Response. Part will be shipped within 24-hours via ground service, pending availability; quantity limits and higher pricing apply.
2. See the product [Price Lists on www.Knoll.com](http://www.Knoll.com) for material, textile, and finish options denoted by ( ).
3. \* Not offered as an orderable service part number.