

# Dividends Horizon® Wall Mounted Overhead Cabinets

**WARNING:** When specifying or installing a wall mounted cabinet, it is essential that a suitable structural wall (not just standard dry wall construction) be specified and that the installer use suitable techniques when mounting the frame to the wall. Knoll suggests that at a minimum, the wall construction should use 3 5/8" wide, 20 gauge metal studs, 16" to 24" on center, attached at the top to the building structure and 5/8" drywall attached to the studs with screws.

The installer/specifier is responsible for determining the integrity and suitability of the load bearing wall, and for the selection of the fasteners appropriate to the type of wall construction. Knoll assumes no responsibility for the fastener used or the construction of the wall.

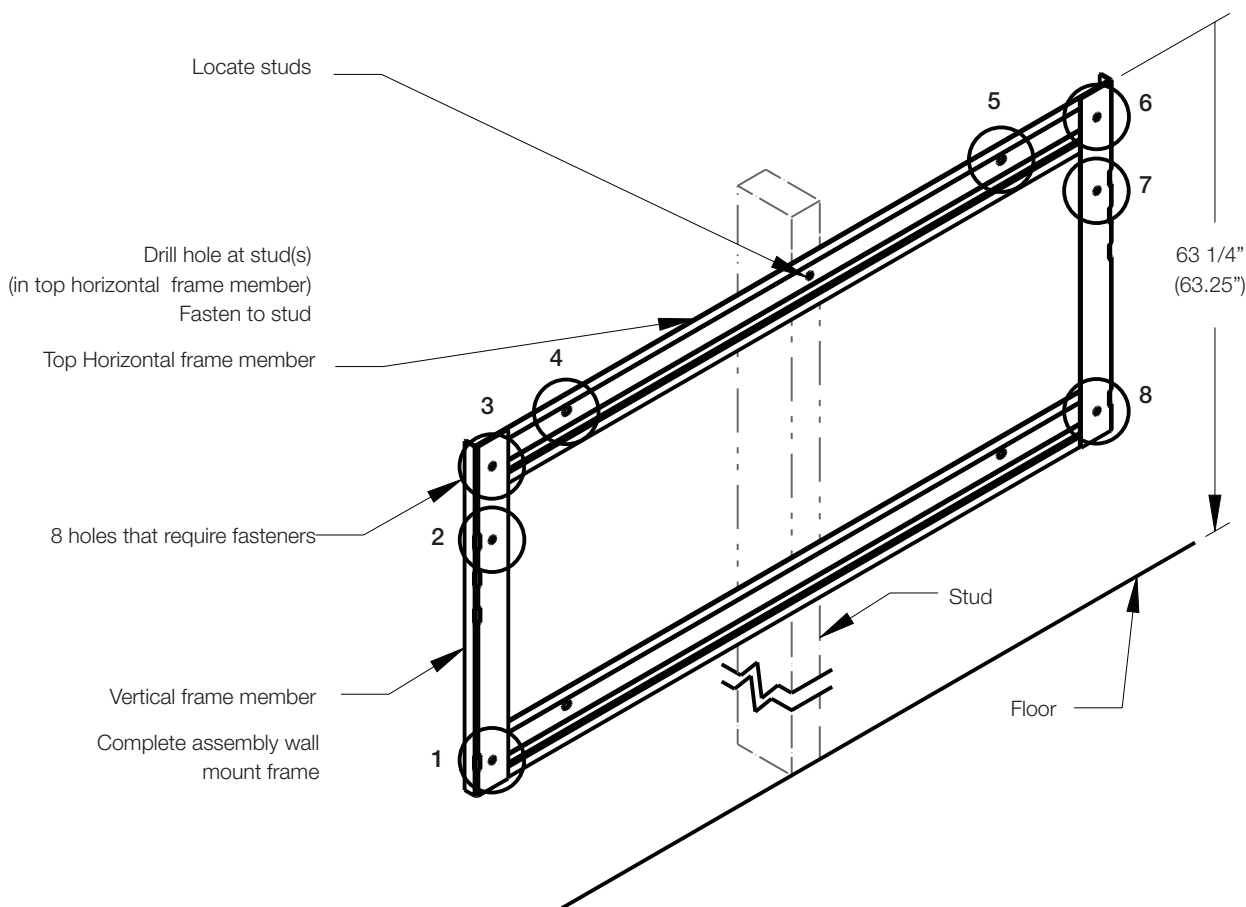
**FAILURE TO FOLLOW THESE INSTALLATION INSTRUCTIONS AND FAILURE TO PROPERLY INSTALL THE WALL MOUNTED OVERHEAD CABINETS MAY LEAD TO PERSONAL INJURY OR PROPERTY DAMAGE.**

1. The top of the wall mounted cabinet is intended to be 63 1/2" (63.5") from the floor which would align the top with the tops of other components. (The top of the wall mount frame is 1/4" (.25") below the top of the overhead cabinet, so mark the top height of the wall mount frame at the 63 1/4" (63.25") from the floor). If the cabinet is to be mounted next to floor standing units, it is recommended that the floor standing units be installed and leveled before the cabinet is hung to assure proper alignment of the tops. Once the height has been determined, position the wall mount frame against the wall. Assuring that the frame is level, mark the locations of all the holes in the frame that are shown below, (8) eight holes total. In addition to the eight holes shown, one must also make sure that all studs that are located between the vertical members of the frame are located and also marked (on the top horizontal member of the wall mount frame).

2. Drill appropriate holes in the wall and top horizontal frame member (where studs are located within the wall)

3. Install appropriate fasteners into the wall at all shown locations and attach the frame to the wall. The minimum number of fasteners is (9) nine.

continued...



## Dividends Horizon® Wall Mounted Overhead Cabinets, continued

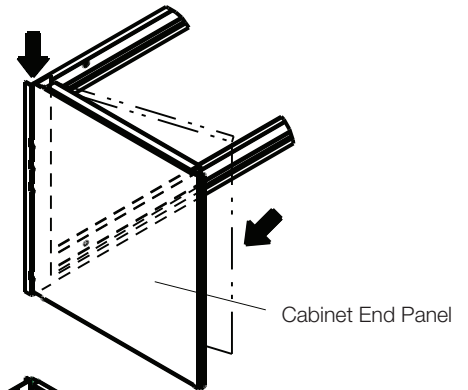
### To assemble and Install Wall Mount-Hung Overhead Cabinet

1. Insert teeth of cabinet end panel into vertical frame member at angle as shown. Swing cabinet end panel perpendicular to the frame and engage by pushing down on cabinet end panel. Strike back corner of cabinet end panel with a rubber mallet to ensure it is fully seated (**Fig. 1**).
2. Place cabinet shelf on cabinet end panels and attach with four (4) #10 x 3/8" self-threading screws provided (**Fig. 2**).
3. Place cabinet top and door assembly on overhead ends and attach with four (4) #10x3/8" self-threading screws provided (**Fig. 3**).
4. Snap optional bookstop to back edge of shelf (**Fig. 4 and 5**).
5. When hanging overhead cabinets next to each other, use included tie clip (U-clip) to tie the adjacent cabinets ends together.

**Note:** To adjust doors, left to right, loosen hinges to provide up to 1/16" adjustment in either direction.

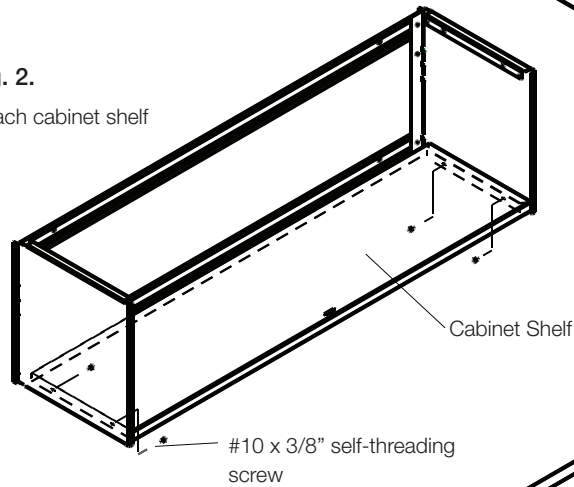
**Fig. 1**

Attach end panels to vertical frame members



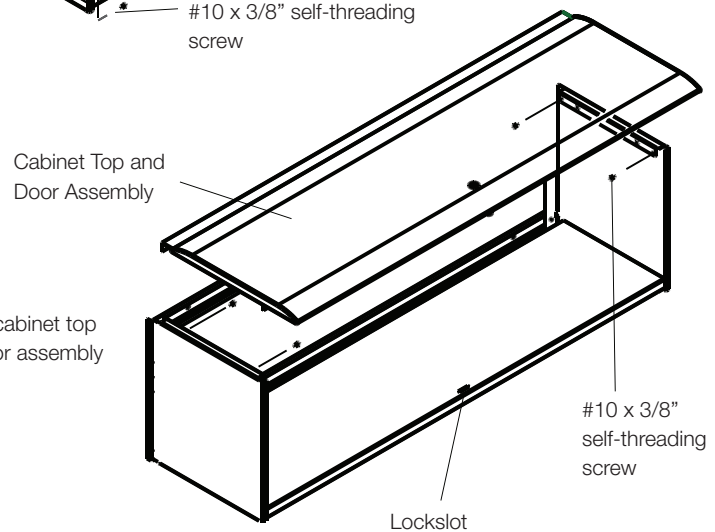
**Fig. 2.**

Attach cabinet shelf



**Fig. 3**

Attach cabinet top and door assembly



### DISASSEMBLY FOR RECYCLING

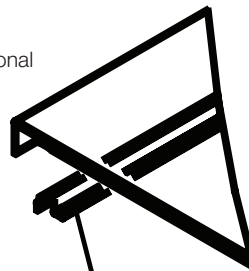
#### Materials Identification and Segregation:

Where possible plastic components are marked with ASTM recycling codes. Use these codes to identify material type for recycling. Non-marked components should be treated as mixed plastic. Ferrous metals can be identified using a small magnet for recycling. Non-ferrous metals should be separated and recycled separately.

To disassemble product, reverse the above

**Fig. 4**

Attach optional bookstop



**Fig. 5**

Closeup of optional bookstop attachment.

