
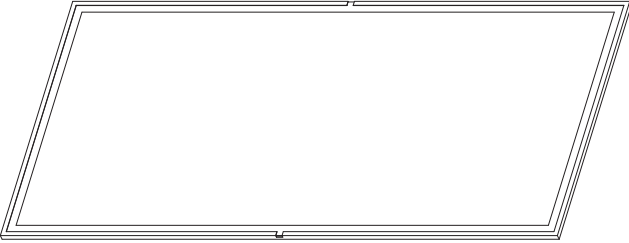

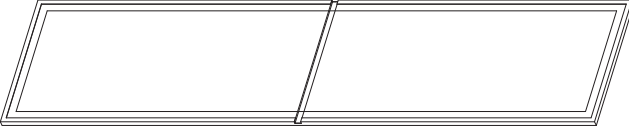



Tackboard Velcro

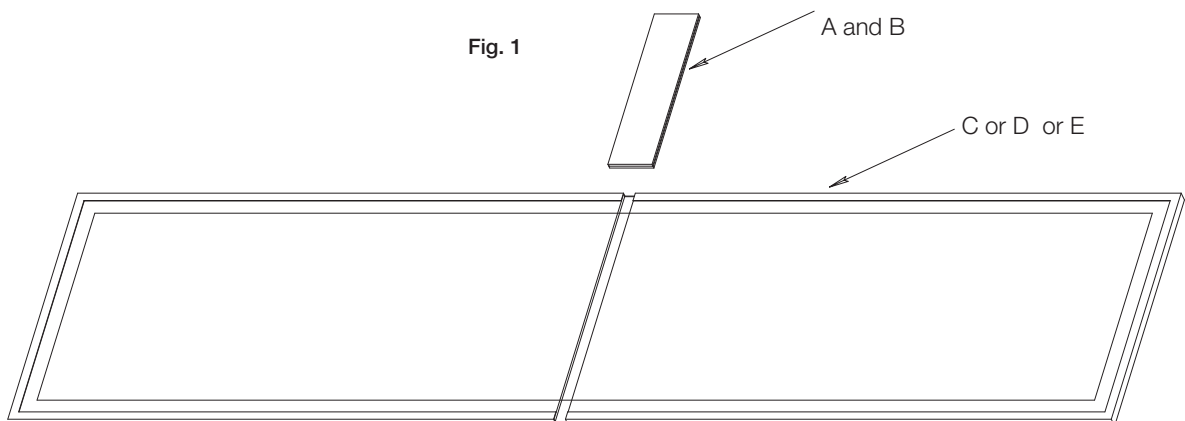
Reference Number: 6TP00632

HARDWARE LIST	
<p>(A)</p>  <p>3220240 VELCRO,HOOK\#80,1x4x1/16</p>	<p>(C)</p>  <p>6TP40XXX TACKBOARD,WITHOUT WIRE MANGER CHANNEL,GREATER THAN 36"</p>
<p>(B)</p>  <p>3220247 VELCRO,LOOP\#1000,1x4x1/16</p>	<p>(D)</p>  <p>6TP40XXX TACKBOARD,WITH WIRE MANGER CHANNEL GREATER THAN 10" &,LESS THAN 36"</p>
	<p>(E)</p>  <p>6TP40XXX TACKBOARD,WITH WIRE MANGER CHANNEL, EQUAL TO OR LESS THAN 10"</p>

1. Preparation of Tackboard

(Fig. 1)

- 1.1 Clean the tackboard removing any contaminants.
- 1.2 Velcro are shipped assembled (hook and loop).
- 1.3 Do not separate the hook & loop during installation, if required, only separate after the tackboard has been installed to the wall/area of installation.
- 1.4 Ensure the same side Velcro is selected for assembly to tackboard.



Tackboard Velcro

Reference Number: 6TP00632

2. Installation of Velcro with Tackboard

Note: When installing the Velcro assembly to your tackboard, only remove protective backing on the side you're adhering to the tackboard.

2.1 (Fig. 2)

Position the end pieces as shown in the above diagrams.

- Equal to our less than 10" - locations 1 & 3.
- Greater than 10" & less than 36" - locations 1, 2, 3 & 4.
- Greater than 36" - locations 1, 2, 3, 4, 5 & 6

2.2 (Fig. 3) - If wire manager cutout is present

Position the center pieces at 3" from channel edges.

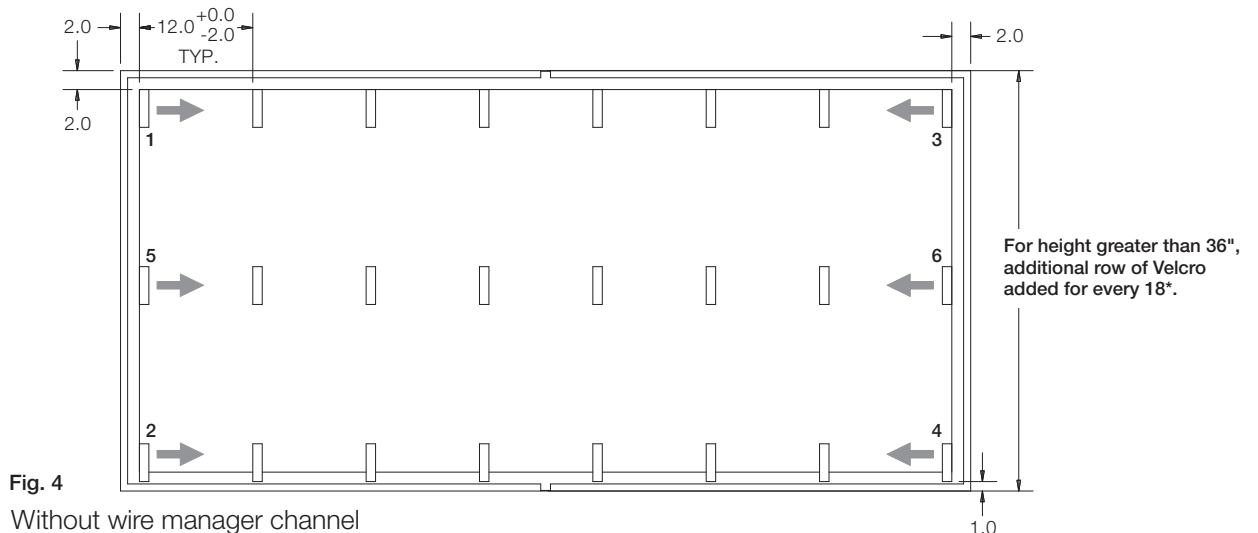
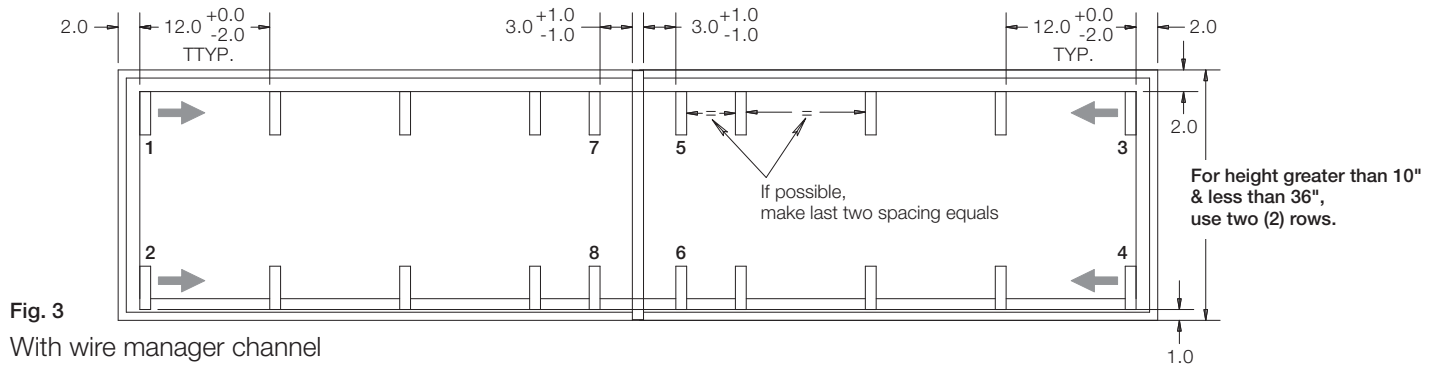
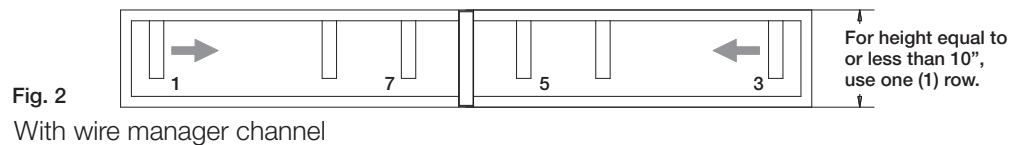
- Equal to our less than 10" - locations 5 & 7.
- Greater than 10" & less than 36" - locations 5, 6, 7 & 8.

2.3 (Fig. 4)

Start from outside edges towards center using a 12" step pattern.

- For 36" height add a third row in the middle - locations 5 & 6.
- Over 36" additional row of Velcro added for every 18".
- For height under 10" use only one row.
- Velcro qty will vary.

Velcro Spacing



Tackboard Velcro

Reference Number: 6TP00632

3. For Installation to the Wall

(Fig. 1)

- 3.1 Clean wall/area of installation.
- 3.2 The use of isopropyl alcohol is recommended if surface permits.
- 3.3 Only remove protective backing when ready to install. If you remove the tackboard from the wall and the adhesive side is also removed you need to replace that Velcro.

Complete Products

